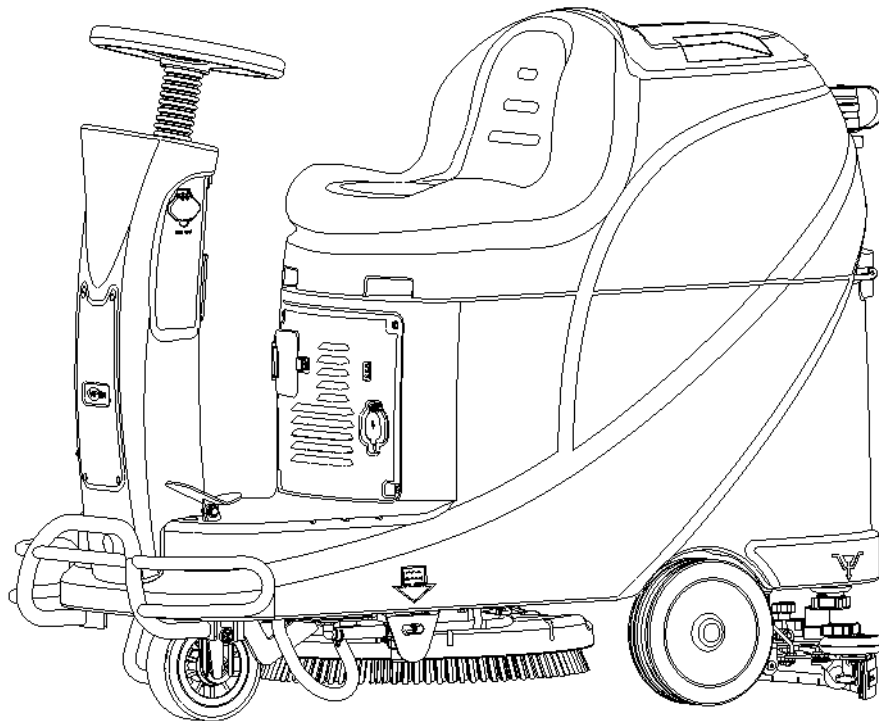




AS530R USER MANUAL



Model: 50000415 / 50000418 / 50000534



Company information:
www.vipercleaning.eu
info-eu@vipercleaning.com

VR28005
Rev.08 2023/11



EU / UE / EL / EC / EE / ES / EÚ / AB

Declaration of Conformity

Prohlášení o shodě
Konformitátszerklárung
Overensstemmelseserklárung
Declaración de conformidad
Vastavusdeklaratsioon
Déclaration de conformité
Vaatimustenmukaisuusvakuutus

Декларация за съответствие
Δήλωση συμμόρφωσης
Megfelelősségi nyilatkozat
Izjava o skladnosti
Dichiarazione di conformità
Atitikties deklaracija
Atbilstības deklarācija
Samsvarserklárung
Conformiteitsverklaring

Declaração de conformidade
Declaracja zgodności
Declaratie de conformitate
Декларация о соответствии
Försäkran om överensstämmelse
Vyhlasenie o zhode
Izjava o skladnosti
Uygunluk beyanı

Manufacturer / Výrobce / Hersteller / Fabrikant / Fabricante / Κατασκευαστής / Gyártó / Proizvođač / Fabbicante / Gamintojas / Ražotājs / Produsent / Fabrikant / Fabricante / Producent / Producător / производитель / Tillverkaren / Výrobca / Proizvajalec/ Üretici firma:

**Nilfisk A/S, Kornmarksvej 1
DK-2605 Broendby, DENMARK**

Product / Produkt / Producto, Toode, Produit, Tuote/ Продукт / Προϊόν / Termék / Proizvod / Prodotto / Produkta / Produkts / Artikel / Produtos / Produs / Izdelek / Ürün

AS530R

Description / Popis / Beschreibung / Beskrivelse / Descripción / Kirjeldus / La description / Kuvaus / Описание / Περιγραφή / Leirás / Opis / Descrizione / Aprašymas / Apraksts / Beschrijving / Descrição / Descriere / Beskrivning / Popis / Açıklama

**FC - Floor Scrubber/Sweeper - Battery
Charging mode: 100-240V 50/60Hz Working
mode: 24 VDC, IP24**

- | | | |
|---|---|---|
| EN We, Nilfisk hereby declare under our sole responsibility, that the above mentioned product(s) is/are in conformity with the following directives and standards. | BG Ние, Nilfisk С настоящото декларираме на своя лична отговорност, че посочените по-горе продуктът е в съответствие със следните директиви и стандарти. | PT Nós, a Nilfisk declaramos, sob nossa exclusiva responsabilidade, que o produto acima mencionado está em conformidade com as diretrizes e normas a seguir. |
| CS My, Nilfisk prohlašujeme na svou výlučnou odpovědnost, že výše uvedený výrobek je ve shodě s následujícími směrnici a normami. | EL Εμείς, Nilfisk δηλώνουμε με αποκλειστική μας ευθύνη, ότι το προαναφερόμενο προϊόν συμμορφώνεται με τις ακόλουθες οδηγίες και πρότυπα. | PL My, Nilfisk Niniejszym oświadczamy z pełną odpowiedzialnością, że wyżej wymieniony produkt jest zgodny z następującymi dyrektywami i normami.. |
| DE Wir, Nilfisk erklären in alleiniger Verantwortung, dass das oben genannte Produkt den folgenden Richtlinien und Normen entspricht. | HU Mi, Nilfisk kijelentjük, egyedüli felelősséggel, hogy a fent említett termék megfelel az alábbi irányelveknek és szabványoknak | RO Noi, Nilfisk Prin prezenta declarăm pe propria răspundere, că produsul mai sus menționat este în conformitate cu următoarele standarde și directive. |
| DA Vi, Nilfisk erklærer hermed under eget ansvar at ovennævnte produkt(er) er i overensstemmelse med følgende direktiver og standarder. | HR Mi, Nilfisk izjavljujemo pod punom odgovornošću, da gore navedeni proizvod u skladu sa sljedećim direktivama i standardima. | RU Ми, Нилфиск овим изјављујем под пуном одговорношћу, да наведеног производ је у складу са следећим директивама и стандардима. |
| ES Nosotros, Nilfisk declaramos bajo nuestra única responsabilidad que el producto antes mencionado está en conformidad con las siguientes directivas y normas | IT Noi, Nilfisk dichiara sotto la propria responsabilità, che il prodotto di cui sopra è conforme alle seguenti direttive e norme. | SV Vi Nilfisk förklarar härmed under eget ansvar att ovan nämnda produkt överensstämmer med följande direktiv och normer. |
| ET Meie, Nilfisk Käesolevaga kinnitame ja kanname ainuiskulist vastutust, et eespool nimetatud toode on kooskõlas järgmistele direktiivide ja | LT Mes, "Nilfisk pareiškiu vienašališkos atsakomybės, kad pirmiau minėtas produktas atitinka šias direktyvas ir standartus | SK My, Nilfisk prehlasujeme na svoju výlučnú zodpovednosť, že vyššie uvedený výrobok je v zhode s nasledujúcimi smernicami a normami. |
| FR Nilfisk déclare sous notre seule responsabilité que le produit mentionné ci-dessus est conforme aux directives et normes suivantes. | LV Mēs, Nilfisk šo apliecinu ar pilnu atbildību, ka iepriekš minētais produkts atbilst šādām direktīvām un standartiem | SL Mi, Nilfisk izjavljamo s polno odgovornostjo, da je zgoraj omenjeni izdelek v skladu z naslednjimi smernicami in standardi. |
| FI Me, Nilfisk täten vakuutamme omalla vastuulla, että edellä mainittu tuote on yhdenmukainen seuraavien direktiivien ja standardien mukaisesti | NO Vi, Nilfisk erklærer herved under eget ansvar, at det ovennevnte produktet er i samsvar med følgende direktiver og standarder | TR Nilfisk, burada yer alan tüm sorumluluklarımızı görece, yukarıda belirtilen ürünü aşağıdaki direktifler ve standartlara uygun olduğunu beyan ederiz. |
| NL We verklaren Nilfisk hierbij op eigen verantwoordelijkheid, dat het bovengenoemde product voldoet aan de volgende richtlijnen en normen | | |

2006/42/EC

EN 60335-1:2012+A11:2014

EN 60335-2-72:2012

2014/30/EU

EN 55014-1:2017

EN 55014-2:2015

EN 61000-3-2:2014

EN 61000-3-3:2013

Authorized
signatory:

Lars Gjødbsøl, Executive Vice President Global
Products & Services

July 13, 2018



UK Declaration of Conformity

We,
Nilfisk Ltd
Nilfisk House, Bowerbank Way Gilwilly Industrial Estate
Penrith Cumbria
CA11 9BQ UK

Hereby declare under our sole responsibility that the

Products: FC - Floor Scrubber/Sweeper - Battery
Description: Charging mode: 100-240V 50-60Hz; Working mode: 24V DC, IP24
Type: AS530R

Are in compliance with the following standards:

EN 60335-1:2012+A11:2014+A13:2017
EN 60335-2-72:2012
EN 55014-1:2017+A11:2020
EN 55014-2:2015
EN 61000-3-2:2014
EN 61000-3-3:2013

Following the provisions of:

Supply of Machinery (Safety) Regulations 2008/1597
Electromagnetic Compatibility Regulations 2016/1091

Penrith, 22-1-2021

A handwritten signature in black ink, appearing to read "Stewart Dennett". The signature is written in a cursive style with some loops and flourishes.

Stewart Dennett
GM/MD

TABLE OF CONTENTS

ENGLISH	USER MANUAL.....	1-22
FRANÇAIS	MANUEL UTILISATEUR.....	23-44
ESPAÑOL	INSTRUCCIONES DE USO.....	45-66
DEUTSCH	BETRIEBSANLEITUNG.....	67-88
NEDERLANDS	GEbruikers HANDLEIDING.....	89-110
ITALIANO	MANUALE D'USO.....	111-132
NORSK	BRUKERHÅNDBOK.....	133-154
SVENSKA	BRUKSANVISNING.....	155-176
DANSK	BRUGERHÅNDBOG.....	177-198
SUOMI	KÄYTTÄJÄN OPAS.....	199-220
PORTUGUÊS	MANUAL DO UTILIZADOR.....	221-242
ΕΛΛΗΝΙΚΑ	ΕΓΧΕΙΡΙΔΙΟ ΧΡΗΣΤΗ.....	243-264
SLOVENŠČINA	NAVODILA ZA UPORABO.....	265-286
ČESKÝ	UŽIVATELSKÝ MANUÁL.....	287-308
POLSKI	INSTRUKCJA OBSŁUGI.....	309-330
MAGYAR	FELHASZNÁLÓI KÉZIKÖNYV.....	331-352
ROMÂNĂ	MANUALUL UTILIZATORULUI.....	353-374
БЪЛГАРСКИ	РЪКОВОДСТВО НА ПОТРЕБИТЕЛЯ.....	375-396
РУССКИЙ	ИНСТРУКЦИЯ ПО ЭКСПЛУАТАЦИИ.....	397-418
SLOVENSKÝ	POUŽÍVATELSKÁ PRÍRUČKA.....	419-440
TÜRKÇE	KULLANIM KILAVUZU.....	441-464
HRVATSKI	KORISNIČKI PRIRUČNIK.....	465-486

TABLE OF CONTENTS

INTRODUCTION.....	1
MANUAL CONTENT AND PURPOSE	1
HOW TO KEEP THIS MANUAL	1
DECLARATION OF CONFORMITY.....	1
ACCESSORIES AND MAINTENANCE.....	1
CHANGES AND IMPROVEMENTS	1
SCOPE OF APPLICATION.....	1
MACHINE IDENTIFICATION DATA	1
TRANSPORT AND UNPACKING.....	1
SAFETY.....	2
SYMBOLS THAT APPEAR ON THE INSTRUCTION FOR USE MANUAL	2
GENERAL SAFETY INSTRUCTION	2
MACHINE DESCRIPTION.....	4
MACHINE STRUCTURE	4
CONTROL PANEL	5
LED SCREEN DISPLAY INFORMATION.....	5
DISPLAY WINDOW OF CHARGER INDICATOR LIGHT	5
TECHNICAL PARAMETERS	6
CIRCUIT DIAGRAM	7
OPERATING GUIDE	9
INSTALLING AND SETTING OF NEW MACHINE BATTERY	9
BATTERY INSTALLATION AND BATTERY TYPE SETTING (WET OR GEL/ AGM).....	9
EMERGENCY BRAKING	11
BRUSH/PAD INSTALLATION AND UNINSTALLATION	11
ADJUSTING THE BALANCE OF SQUEEGEE	12
SOLUTION TANK FILLING	12
MACHINE START AND STOP	13
MACHINE OPERATION (SCRUBBING AND DRYING)	14
TANK EMPTYING	15
AFTER USING THE MACHINE.....	15
MACHINE LONG INACTIVITY	15
USING FOR THE FIRST TIME	16
MAINTENANCE.....	16
SCHEDULED MAINTENANCE TABLE	16
BATTERY CHARGING	16
BRUSH/PAD CLEANING	17
SOLUTION FILTER CLEANING	18
SQUEEGEE CLEANING	18
SQUEEGEE BLADE CHECK AND REPLACEMENT.....	18
TANK AND VACUUM GRID WITH FLOAT CLEANING, AND COVER GASKET CHECK	19
FUSE CHECK/REPLACEMENT.....	20
ACCESSORIES/OPTIONS	20
TROUBLE SHOOTING	20
SCRAPPING	22

INTRODUCTION



NOTE

The numbers in brackets refer to the components shown in Machine Description chapter.

MANUAL CONTENT AND PURPOSE

The purpose of this Instruction for Use Manual is to provide the operator with necessary information to use the machine properly and safely. It contains information about technical data, safety, operation, storage, maintenance, spare parts and how to scrap it.

Before performing any procedure on the machine, no matter the operators and qualified technicians must read this Manual carefully. Contact our company’s service center for any query about this manual or for any further information is needed.

The operators must not perform procedures that should be done by qualified technicians. Our company will not be answerable for damages coming from the non-observance of this prohibition.

HOW TO KEEP THIS MANUAL

The Manual must be kept near the machine, inside an adequate case, away from liquids and other substances that can cause any damage to it.

DECLARATION OF CONFORMITY

Declaration of Conformity is supplied with the machine and certifies machine conformity with the law in force.



NOTE

The copies of the original declaration of conformity are provided together with the machine documentation.

ACCESSORIES AND MAINTENANCE

All the necessary operation, maintenance and repair procedures must be performed by qualified personnel, or by our company appointed service center. ONLY authorized spare parts and accessories should be used.

Contact our company customer service for any service or purchase of accessories or spare parts if necessary.

CHANGES AND IMPROVEMENTS

We committed to continuous improvement of the products, the company reserves the right to the machine changes and improvements without informing in additional.

SCOPE OF APPLICATION

The scrubber applies to commercial and industrial use. It is suitable for cleaning smooth and solid floors, operating by a qualified personnel in safety circumstance. It is not suitable for outdoor use, carpet or rough floor cleaning.

MACHINE IDENTIFICATION DATA

The machine serial number and model name are marked on the serial label.

This information is useful. Use the following table to write down the machine identification data when requiring spare parts for the machine.

MACHINE MODEL.....
MACHINE SERIAL NUMBER.....

TRANSPORT AND UNPACKING

When the carrier delivers the machine, make sure the packaging and machine are both whole and undamaged. If any damaged, make the carrier know the damage and before accepting the goods, reserve the right in compensation of the damage.

Follow the instructions on packing strictly when unpacking the machine.

Check the package to ensure following items are included:

1. Technical documentations including user manual, and on-board charger manual if on-board charger is equipped.
2. Charger cable if on-board charger is equipped.

SAFETY

The following symbols indicate potentially dangerous situations. Always read this information carefully and take all necessary precautions to safeguard people and property.

SYMBOLS THAT APPEAR ON THE INSTRUCTION FOR USE MANUAL



DANGER!

It indicates a dangerous situation with risk of death for the operator.



WARNING!

It indicates a potential risk of injury for people.



CAUTION!

It indicates a caution or a remark related to important or useful functions. Pay attention to the paragraphs marked by this symbol.



NOTE

It indicates a remark related to important or useful functions.



CONSULTATION

It indicates the necessity to refer to the Instruction for Use manual before performing any procedure.

GENERAL SAFETY INSTRUCTION

Specific warnings and cautions to inform about potential damages to people and machine are shown below.



DANGER!

- This machine must be operated by trained and authorized personnel according to guidance of the manual.
- Before performing any cleaning, maintenance, repair or replacement procedure, read all the instructions carefully, ensure to turn the machine OFF and disconnect the battery connector.
- Do not operate the machine near toxic, dangerous, flammable and/or explosive powders, liquids or vapour. This machine is not suitable for collecting dangerous powders.
- Do not wear jewels when working near electrical components.
- Do not work under the lifted machine without supporting it with safety stands.
- When using lead (WET) batteries, they may emit inflammable gas under normal use, must keep sparks, flames, smoking materials and radiating, illuminating and burning items away from the batteries.
- When charging lead (WET) batteries, they may emit hydrogen gas which may cause explosive. Must ensure the charging environment is well ventilated and away from naked flames.



WARNING!

- Check the machine carefully before each use. Ensure that all the components have been well assembled before use. Or it may cause damages to people and properties.

- Before using the battery charger, ensure that the values of frequency and voltage indicated on the machine serial number label match those of mains.
- Never move the machine by pulling the battery charger cable. Do not let the cable through a closed door, or winding on sharp edges or corners. Do not run the machine on the battery charger cable. Keep the battery charger cable away from heated surfaces.
Do not charge the batteries if the battery charger cable or the plug are damaged.
- To reduce the risk of fire, electric shock, or injury, make sure machine is off before leaving.
- Use or store the machine indoors in dry conditions, it is not allowed for outdoor use.
- The machine both storage and working temperature must be between 0 °C and +40 °C, the humidity of air must be between 30% - 95%.
- Do not use the machine on slopes with a gradient exceeding as specification show.
- When using and handling floor cleaning detergents, follow the instructions on the labels of the detergent bottles and wear suitable gloves and protections.
- Use brushes and pads supplied with the machine or defined in the manual. Using other brushes or pads could reduce safety.
- In case of machine malfunctions, ensure that these are not due to lack of maintenance. If necessary, request assistance from the authorized personnel or from an authorized Service Center.
- Take all necessary precautions to prevent hair, jewels and loose clothes from being caught by the machine moving parts.
- Do not use the machine in particularly dusty areas.
Do not wash the machine with direct or pressured water jets, or with corrosive substances.
- Do not bump into shelves or scaffoldings, especially where there is a risk of falling objects.
- Do not lean liquid containers on the machine, use the relevant can holder.
- To avoid damaging the floor, do not allow the brush/pad to operate while the machine is stationary.
- In case of fire, use a dry powder fire extinguisher. Do not use liquid fire extinguishers.
- Do not remove or modify the machine stickers.
- Do not tamper with the machine safety guards and follow the ordinary maintenance instructions scrupulously.
- Pay attention during machine transportation when temperature is below freezing point. The water in the recovery tank and in the hoses could freeze and cause seriously damage to the machine.
- If spare parts need be replaced, order ORIGINAL spare parts from an Authorized Dealers or Retailers.
- Return the machine to the Service Center if it doesn't work as usual or it is in condition such as damaged, placed outdoors, dropped into water.
- To ensure machine proper and safe operation, the scheduled maintenance shown in the relevant chapter of this Manual, must be performed by the authorized personnel or an authorized Service Center.
- The machine must be properly disposed of, because the presence of toxic-harmful materials (batteries, etc.), which are subject to standards that require disposal in special centers (see Scrapping chapter).
- This machine as a cleaning tool only, not for any other purpose use.
- Always keep the openings free from dust, hairs and any other foreign material which could reduce the airflow. Do not use the machine if the openings are clogged.
- Use the machine only where a proper lighting is provided.
- This machine is not intended for use by persons with reduced physical, sensory or mental capabilities, or lack of experience and knowledge, unless they have been given supervision or instruction concerning use of the machine by a person responsible for their safety.
- Close attention is necessary when used near children.
- Children should be supervised to ensure that they do not play with the machine.
- While using this machine, take care not to cause damage to people or objects.

MACHINE DESCRIPTION

MACHINE STRUCTURE (as shown in Figure 1)

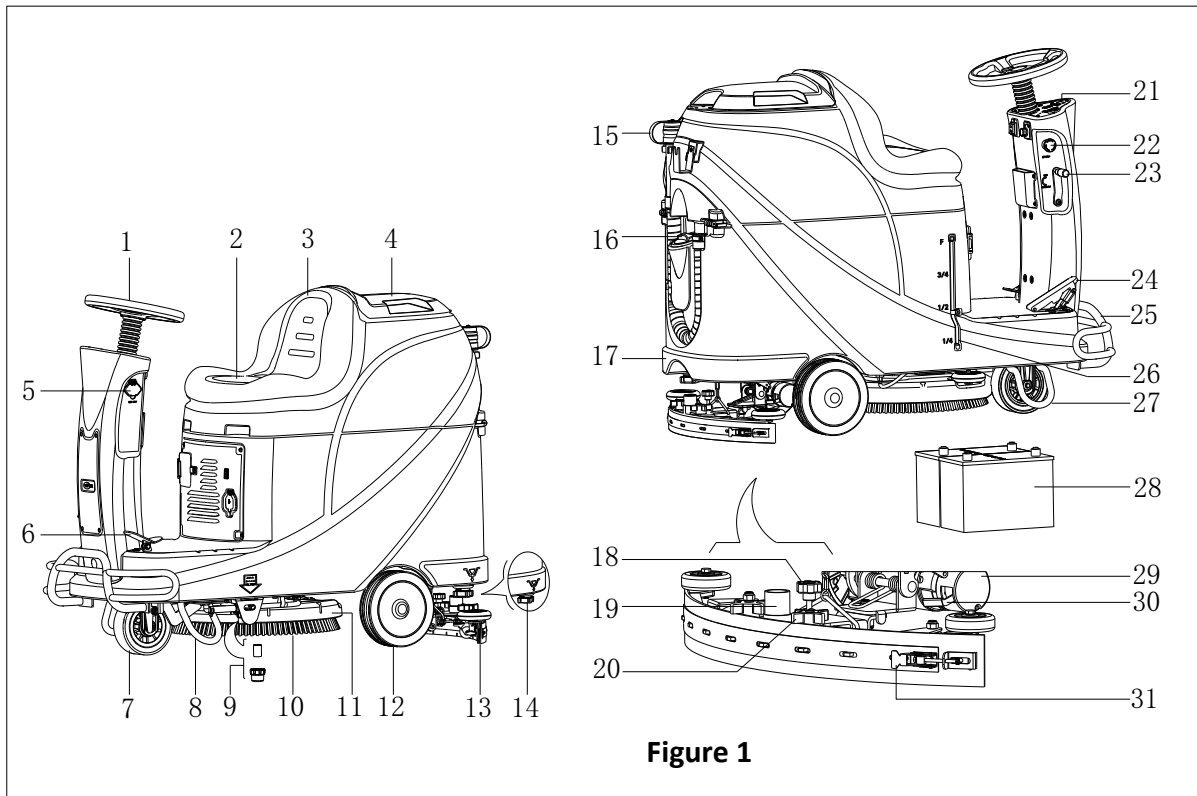
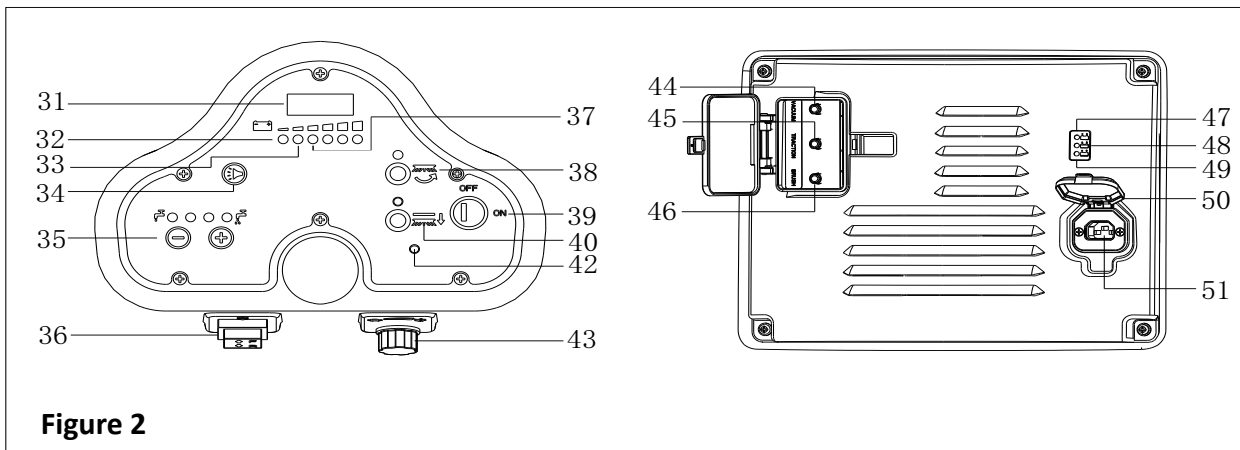


Figure 1

- | | |
|---------------------------|-------------------------------------|
| 1. Steering wheel | 17. Solution tank |
| 2. Seat cushion | 18. Squeegee adjustment knob |
| 3. Recovery tank | 19. Vacuum hose |
| 4. Recovery tank cover | 20. Squeegee knob |
| 5. USB charging port | 21. Control panel |
| 6. Pedal | 22. Emergency switch |
| 7. Front wheel | 23. Squeegee lifting/lowering lever |
| 8. Left support bracket | 24. Accelerate pedal |
| 9. Solution Filter | 25. Front bumper |
| 10. Brush | 26. Solution level indicator |
| 11. Brush deck | 27. Right support bracket |
| 12. Rear wheel | 28. Battery |
| 13. Squeegee assembly | 29. Drive motor |
| 14. Solution outlet cover | 30. Brake block bracket |
| 15. Sewage drain hose | 31. Squeegee hasp |
| 16. Water inlet cover | |

MACHINE DESCRIPTION

CONTROL PANEL (as shown in Figure 2)



- | | |
|--|---|
| 31. LED screen | 42. Drive motor trouble light |
| 32. Discharged battery warning light (Red) | 43. Speed adjusting knob |
| 33. Battery semi-discharged indicator (Yellow) | 44. Vacuum motor overload protector |
| 34. Horn button | 45. Drive motor overload protector |
| 35. Solution volume adjusting button | 46. Brush motor overload protector |
| 36. Forward-Backward switch | 47. Battery fully charged indicator (Green) |
| 37. Battery discharged indicator (Green) | 48. Battery semi-charged indicator (Yellow) |
| 38. Brush button | 49. Battery charge indicator (Red) |
| 39. Key switch | 50. Charger plug cover |
| 40. Brush unload button | 51. Charger plug |

LED SCREEN DISPLAY INFORMATION

- STOP– Machine cannot move, brush stops working but vacuum motor can work
- (00012.3) – Total working hours of machine are 12.3hours
- L0-(18) – Battery voltage lower than 18V
- U-(25.5) – Battery voltage is 25.5V
- ERR-01 – Squeegee is not lifted when machine turns backward

DISPLAY WINDOW OF CHARGER INDICATON LIGHT (as shown in Figure 2)

1. At the beginning of charging, the red LED (49) of charger is normally on. It is the first stage of charging.
2. After charging for some time, the red LED (49) on charger turns off, the yellow LED (48) turns on, this is the second stage of charging.
3. When charging is completed, the yellow LED (48) turns off, the green LED (47) turns on to indicate that the battery is fully charged.



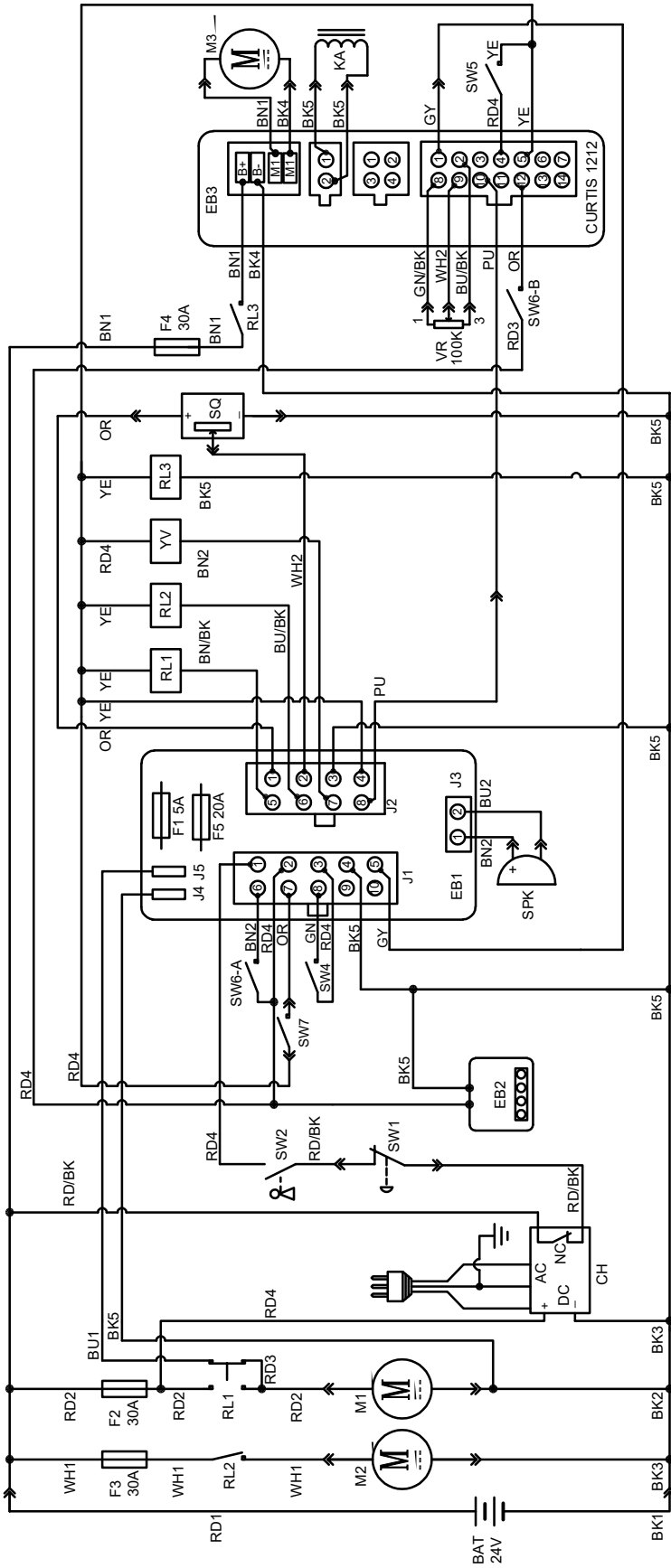
NOTE

In the process of charging, if the yellow light (48) is on, it may be caused by: Battery and charger doesn't match, battery is not connected well, or output is short-circuited.
The red light of charger flashing may be caused by the charger internal short circuit.

TECHNICAL PARAMETERS

MODEL	AS530R	
Packing dimensions (Lx W x H)	mm	1470*730*1310
Machine height	mm	1120
Machine length	mm	1360
Machine width (without squeegee)	mm	580
Machine weight with empty tanks (without batteries)	Kg	140
Gross vehicle weight (GVW)	Kg	270
Shipping weight	Kg	245
Solution tank capacity	Liter	72
Recovery tank capacity	Liter	73
Vacuum motor power	Watt	400
Vacuum capacity	mm H ₂ O	1223
Climbing capacity (Max)	%	10
Front wheel diameter	mm	φ175
Rear wheel diameter	mm	φ230
Sound level	dB(A)	69
Solution/water Flow	L/min	0.84-2.0
Working width	mm	530
Squeegee width	mm	730
Brush/pad diameter	mm	530
Brush motor power	Watt	450
Brush speed	Rpm	160
Brush/pad pressure (Max)	Kg	23
Drive motor power	Watt	300W
Working speed	Km/h	5.5km/h
Voltage	V	24V
Battery (optional)	Ah	2x100AH (20 hours)
Battery charger (optional)	V/A	24V 10A
Battery compartment size (L x W x H)	mm	350*380*300
USB charger specification	V/A	5V, 0.8A

CIRCUIT DIAGRAM



WIRE ROD	WIRE ROD
RD1	RED/6AWG
RD2	RED/10AWG
RD3	RED/18AWG
RD4	RED/20AWG
RD/BK	RED/BLACK / 20AWG
BK1	BLACK/6AWG
BK2	BLACK/10AWG
BK3	BLACK/14AWG
BK4	BLACK/18AWG
BK5	BLACK/20AWG
BN1	BROWN/14AWG
BN2	BROWN/20AWG
BN/BK	BROWN/BLACK / 20AWG
BU1	BLUE/18AWG
BU2	BLUE/20AWG
BU/BK	BLUE/BLACK / 20AWG
GN	GREEN/20AWG
GN/BK	GREEN/BLACK / 20AWG
GY	GRAY/20AWG
PU	PURPLE/20AWG
OR	ORANGE/20AWG
YE	YELLOW/20AWG
WH1	WHITE/14AWG
WH2	WHITE/20AWG

COMPONENTS	
BAT	24V BATTERIES
CH	BATTERY CHARGER
EB1	CONTROL PANEL BOARD
EB2	USB CHARGING ELECTRONIC BOARD
EB3	DRIVE ELECTRONIC BOARD
RL1	BRUSH MOEOR ELECTROM SWITCH
RL2	VACUUM MOEOR ELECTROM SWITCH
RL3	DRIVE SYSTEM ELECTROM SWITCH
YV	WATER ELECTROVALVE
F1	CONTROL PANEL BOARD FUSE
F2	BRUSH MOTOR CIRCUIT BREAKER
F3	VACUUM MOTOR CIRCUIT BREAKER
F4	DRIVE SYSTEM CIRCUIT BREAKER
F5	BRUSH RELEASE FUSE
KA	BRAKE
M1	BRUSH MOTOR
M2	VACUUM MOTOR
M3	DRIVE MOTOR
SW1	EMERGENCY-STOP SWITCH
SW2	KEY SWITCH
SW4	VACUUM MOTOR SWITCH
SW5	OPTIONAL MODE SWITCH
SW6-A	OPTIONAL REVERSE SWITCH
SW6-B	OPTIONAL REVERSE SWITCH
SW7	SEAT SWITCH
SQ	FOOT THROTTLE
SPK	12VDC BUZZER
VR	SPEED POTENTIOMETER

COMPONENTS		COMPONENTS	
BAT	24V BATTERIES	M1	BRUSH MOTOR
CH	BATTERY CHARGER	M2	VACUUM MOTOR
EB1	CONTROL PANEL BOARD	M3	DRIVE MOTOR
EB2	USB CHARGING ELECTRONIC BOARD	SW1	EMERGENCY-STOP SWITCH
EB3	DRIVE ELECTRONIC BOARD	SW2	KEY SWITCH
RL1	BRUSH MOEOR ELECTROM SWITCH		
RL2	VACUUM MOEOR ELECTROM SWITCH	SW4	VACUUM MOTOR SWITCH
RL3	DRIVE SYSTEM ELECTROM SWITCH	SW5	OPTIONAL MODE SWITCH
YV	WATER ELECTROVALVE	SW6-A	OPTIONAL REVERSE SWITCH
F1	CONTROL PANEL BOARD FUSE	SW6-B	OPTIONAL REVERSE SWITCH
F2	BRUSH MOTOR CIRCUIT BREAKER	SW7	SEAT SWITCH
F3	VACUUM MOTOR CIRCUIT BREAKER	SQ	FOOT THROTTLE
F4	DRIVE SYSTEM CIRCUIT BREAKER	SPK	12VDC BUZZER
F5	BRUSH RELEASE FUSE	VR	SPEED POTENTIOMETER
KA	BRAKE		

WIRE ROD		WIRE ROD	
RD1	RED/6AWG	BN/BK	BROWN/BLACK / 20AWG
RD2	RED/10AWG	BU1	BLUE/18AWG
RD3	RED/18AWG	BU2	BLUE/20AWG
RD4	RED/20AWG	BU/BK	BLUE/BLACK/20 AWG
RD/BK	RED/BLACK/20AWG	GN	GREEN/20AWG
BK1	BLACK/6AWG	GN/BK	GREEN/BLACK / 20AWG
BK2	BLACK/10AWG	GY	GRAY/20AWG
BK3	BLACK/12AWG	PU	PURPLE/20AWG
BK4	BLACK/14AWG	OR	ORANGE/20AWG
BK5	BLACK/18AWG	YE	YELLOW/20AWG
BN1	BROWN/14AWG	WH1	WHITE/12 AWG
BN2	BROWN/20AWG	WH2	WHITE/20AWG

OPERATING GUIDE



WARNING!

Pay high attention to these symbols in this manual:

- DANGER!
- WARNING!
- CAUTION!
- CONSULTATION

Never cover these symbols on the machine for any reason, replace it immediately if any damage.

INSTALLING AND SETTING OF NEW MACHINE BATTERY



WARNING!

The electric components of the machine can be seriously damaged if the batteries are either improperly installed or connected.

The batteries must be installed by qualified personnel. Set the battery charger (optional) and machine PCBA according to the battery type (WET or GEL/AGM).

Check the batteries whether it is damaged before installation.

Disconnect the battery connector and the battery charger plug.

Handle the batteries with great care.



NOTE

The machine requires two 12V batteries, connecting according to Figure 3.

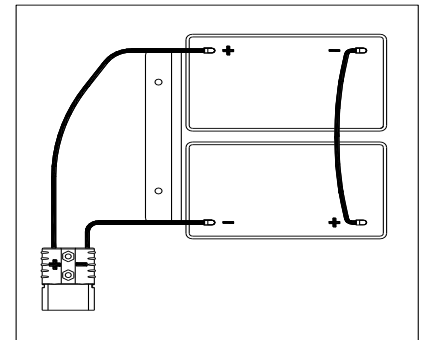


Figure 3

The machine can be operated in one of following battery modes:

A) WET or GEL/AGM batteries are already installed and ready to be used

1. Check the batteries and connect the battery connector to the machine.
2. Insert the key switch (40) and turn to "on". If the green light (37) turns on, batteries are full charged for use; if the yellow or red light (33 or 32) turns on, the batteries must be charged.

B) Without Batteries

1. If your machine isn't equipped with batteries, buy appropriate batteries [See the Technical Data Paragraph]. For battery choice and installation, turn to qualified battery Retailers.
2. When batteries are ready, set the machine and the battery charger according to the type of installed batteries, then follow the procedures shown in the next paragraph.

BATTERY INSTALLATION AND BATTERY TYPE SETTING (WET OR GEL/ AGM)

Set the electronic circuit board of the machine and battery charger according to battery types (WET or GEL/AGM) following steps below:



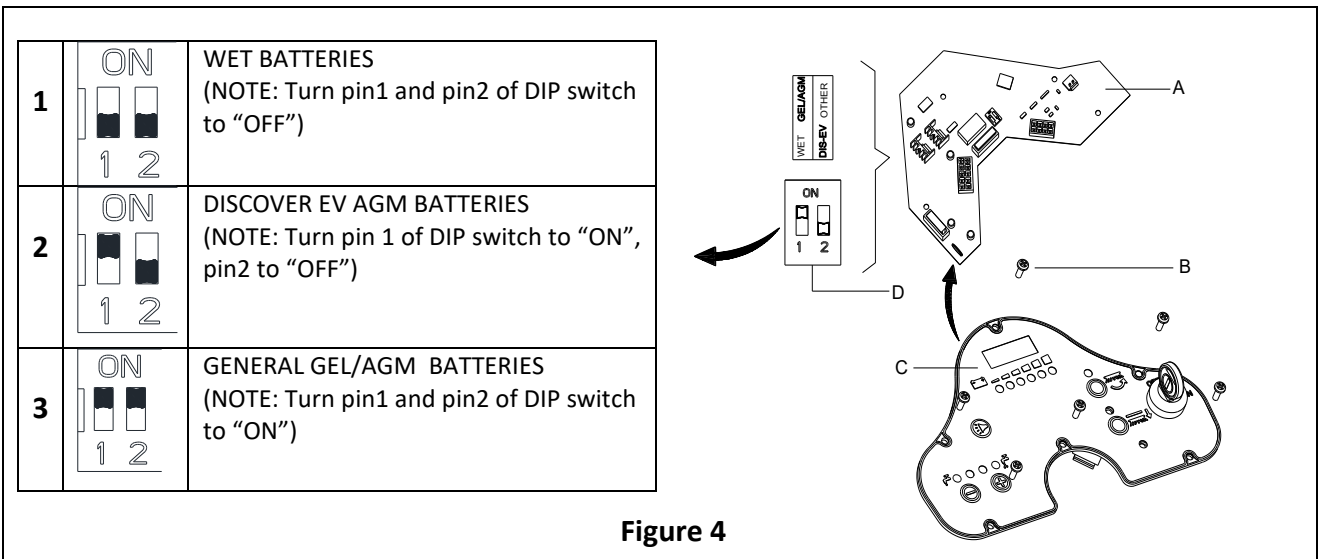
NOTE

When install new batteries, follow Figure 4 to set DIP switch, or batteries may be damaged by wrong setting.

Machine setting

1. Insert key switch (40) and turn to "ON", pay attention to below during the first seconds of machine start:
 - If the green light (37) flash, machine is set up to use GEL/AGM batteries.
 - If the yellow light (33) flash, machine is set up to use Discover EV AGM batteries.
 - If the red light (32) flash, machine is set up to use WET batteries.
2. Follow below steps to change the machine settings.
3. The factory setting of the machine is to use Discover EV AGM batteries. If the setting corresponds to selected batteries, go to step 6 directly, or follow the next step.

- Unscrew the screw (B, Figure 4) on control panel, then turn over the PCBA (A) on the panel to find DIP switch (D), follow Figure 4 for DIP settings.
- Perform steps in reserve order of disassembly to fix control panel and lock the screw after setting is done.



Battery Installation

- Open the recovery tank cover (4) and check the recovery tank (3) is empty, otherwise, empty it with the drain hose (15).
- Close the recovery tank cover (4).
- Overturn the recovery tank (3) carefully.
- The machine is supplied with cables suitable to install 2X12V batteries. Carefully put the batteries into the compartment, then install them correctly.
- Route and install the battery cable as shown in (Figure 3), then carefully tighten the nut on each battery terminal.
- Place the protection cap on each terminal, then connect the battery connector.
- Carefully lower the recovery tank (3).

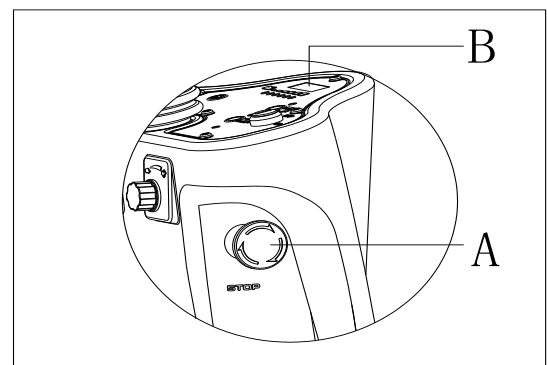


Figure 5

Charging the Batteries

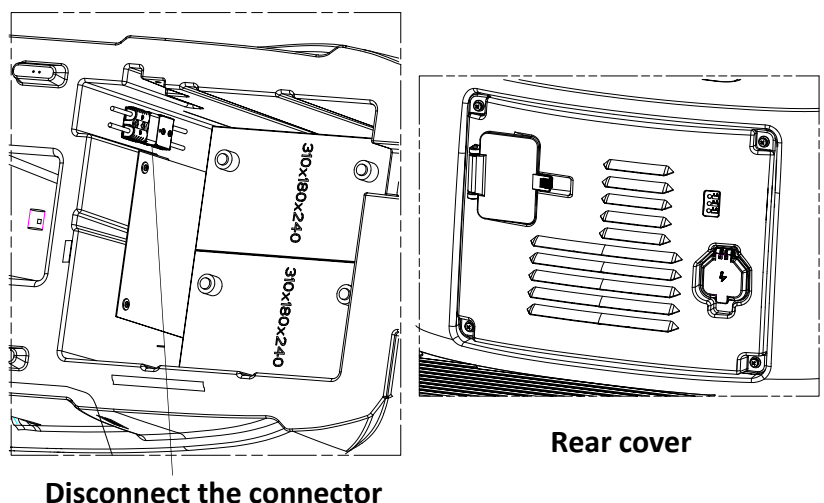
- Charging the batteries. [Refer to MAINTENANCE chapters].

Battery charger setting (only for on-board charger if installed)

Battery charger

The battery charger is located inside the rear cover and connected directly to the batteries. The charger is microprocessor controlled and uses different charging curves for optimal performance for different battery types.

- Disconnect the cable connector leading to the batteries.
- Remove the Rear Cover.
- Remove the 4 screws (B) and remove the charger(A).

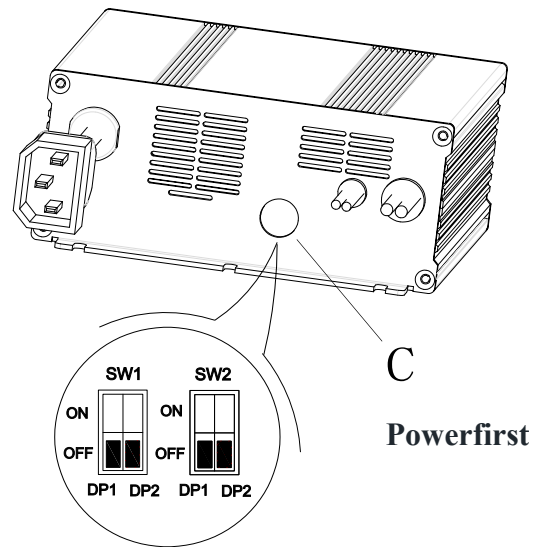
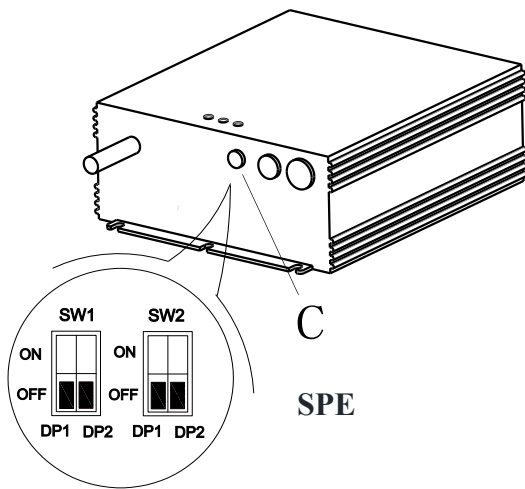
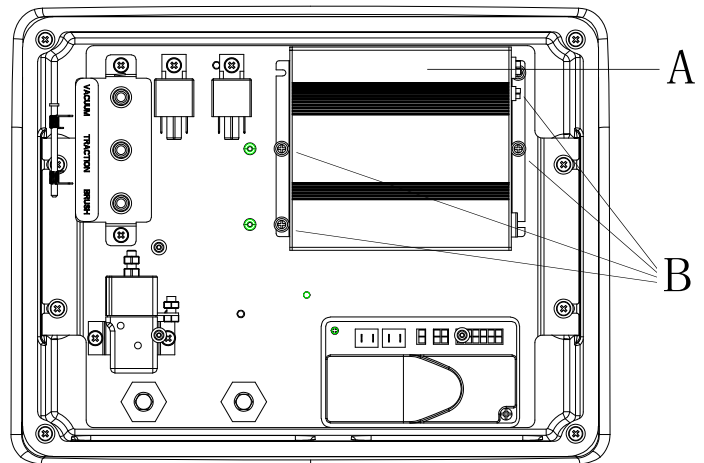


Battery Type Dip-Switches

The charger's function is controlled by 4 dip-switches (2-pair) inside the back cover. The second 2 switches should never be touched unless the charger has been replaced and their position needs to be confirmed, set the battery voltage (24V) and maximum amperage (10A) and it should always be in the Off position.

The first 2 switches are accessible through a plastic plug without opening the charger. These switches set the type of charge curve used for each type of battery. The curve type signifies the manner and magnitude in which current and voltage are applied to the battery during its distinct phases of the charge cycle.

1. Remove the plastic plug covering the DIP switch access hole (C).
2. Set the first 2 DIP switches (SW1) according to the table data below.
3. Replace the plastic plug.



Curve/Battery Type	SW1		SW2	
	D1	D2	D1	D2
IUIa Wet	On	Off		
IUIa Gel Exide	Off	Off	Off	Off
IUoU AGM	Off	On		
IUIa AGM Discover	On	On		

Curve/Battery Type	SW1		SW2	
	D1	D2	D1	D2
IUIa Wet	On	Off		
IUIa Gel Exide	Off	Off	Off	Off
IUIa AGM	Off	On		
IUIa AGM Discover	On	On		

EMERGENCY BRAKING

If there is any emergency during machine operating, press the emergency switch (A, Figure 5), then all functions of machine will stop, there is no display on control panel (B, Figure 5)

BRUSH/PAD INSTALLATION AND UNINSTALLATION



NOTE

Install suitable brush (A, Figure 6) or Pad (B and C, Figure 6) according to the type of floor to be cleaned.



CAUTION

Before installation or uninstallation of brush or pad, make sure all the switches on machine are in off position and lifting up the squeegee from the floor. The operator must be equipped with suitable personnel protection devices such as gloves to reduce the risk of accidents. Proceed as following:

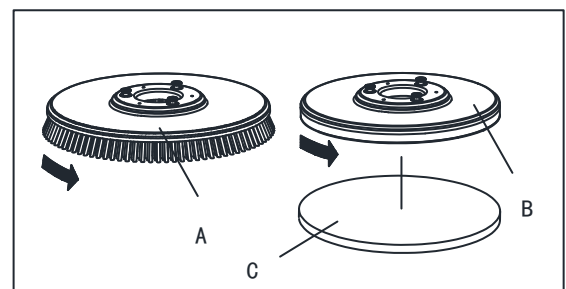


Figure 6

1. Insert key switch (40) and turn to "ON".
2. Press the pedal (6) forward by foot to lift brush assembly (11) from the floor.
3. Rotate speed adjusting knob (42) in counterclockwise until to the end.
4. Place the brush (A, Figure 5) or pad (B, Figure 5) center align with brush deck.
5. Press the pedal (6) backward by foot to lower down brush assembly (11). Sit on the seat, press the brush button (39) and depress the pedal (23) slightly, the brush/pad can be assembled automatically. Repeat these steps until brush/pad is installed.
6. If step5 install the brush/pad but not successfully, please manually take the brush/pad down.
7. Depress the pedal (6) forward by foot to lift the brush assembly (11) from floor, press brush remove button (41) to uninstall it automatically.



CAUTION!

Rotate the speed adjusting knob (42) to the minimum speed before depressing accelerate pedal (6) to avoid the machine running too quickly when it is started. Make sure the brush/pad is installed correctly before machine operating.

ADJUSTING THE BALANCE OF SQUEEGEE

1. Install the squeegee (13) and fasten the squeegee knob (20), then connect the vacuum hose (19) to the squeegee.
2. Adjust the squeegee by squeegee adjusting handle (A, Figure 7).
 - a) If there is gap between the ground and middle section of rear squeegee blade (B), adjust the knob (A) in counterclockwise direction (F) until all section of rear squeegee blade good contact with ground, the front blade touch the ground slightly.
 - b) If there is gap between the ground and both end section of rear blade(C and D), adjust the knob (A) in clockwise direction (E) until all section of rear blade good contact with the ground, the front blade touch the ground slightly.

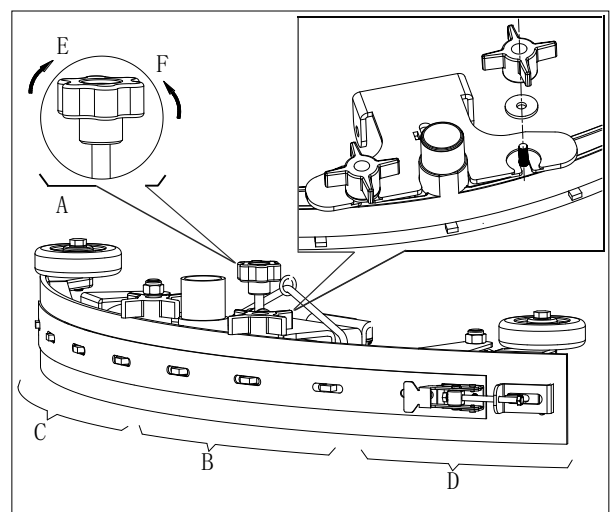


Figure 7

SOLUTION TANK FILLING

1. Open the water inlet cover (E, Figure 8).
2. Filling water or solution suitable for work performance through the water inlet with filter. The solution temperature must not exceed +104F (+40°C).
3. Don't overfill the tank, refer to water level indicator (G) for the water volume.



WARNING!

Use only low-foam and non-flammable detergents intended for automatic scrubber applications.

Drive motor inspection

1. Turn the key switch (A, Figure 9) to "ON"
2. Depress the accelerate pedal (C) slightly then loosen it to check if the machine can be steered forward and stopped.
3. To ensure the security, confirm if the machine can be stopped immediately by pressing the emergency button (B). Rotate the emergency button to reset it.



CAUTION

Climbing capacity of the machine must not exceed 10%.



CAUTION

The brake of drive motor is unstuck when the motor works normally, it locks when the motor stops working.

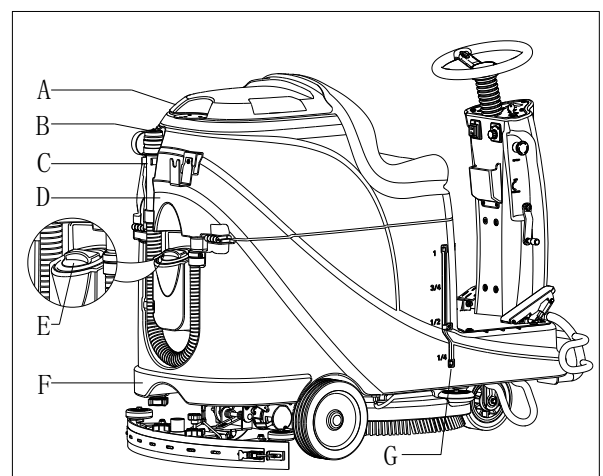


Figure 8

- Brake unstuck -the brake handle(D, Figure 9) locates above
 - Brake locked –the brake handle locates lower
- In some special cases, such as machine packing/unpacking, machine fault etc., need to move the machine without drive motor working, please manually set the brake to unstuck status to move it.
- To avoid any security risk, ensure to set the brake back to locked status after machine movement.

MACHINE START AND STOP

Starting the machine

1. Prepare the machine as shown in previous paragraph.
2. Sit on the seat (L, Figure 10), insert the key switch (A) and turn it to "ON". If the green light (C) is on, the batteries are fully charged for use. If the yellow light (E) or red light (D) is on, batteries must be charged before operation. [Refer to MAINTAINENCE chapters for batteries charging]
3. Lower the squeegee assembly to the floor.



NOTE

Make sure the squeegee assembly is lifted before the machine steer backward, or the Machine will be stopped and LED screen show "Error" information.

4. Lower the brush assembly to the floor.



NOTE

Make sure to turn off brush button before brush assembly is lifted, and lift the brush assembly before machine steers forward/backward.

5. Press brush button (B)
6. Depress the accelerate pedal (R), operate the machine forward or backward by steering wheel (N) together with forward-backward switch (H), you can adjust speed by speed adjusting knob (I).
7. Adjust solution flow by solution adjusting button (G) base on cleaning requirement.
8. You can charge your phone or pad through USB charging port (M) when the key switch (A) is turned to "ON".
9. Press the horn button (F) to warn people when necessary.
10. If necessary, press the emergency button for machine emergency stop.



NOTE

The brush motor, vacuum motor, drive motor and control circuit are protected by overload protector (P).When the overload protector trip, do not reset it immediately without finding out the root cause, and make sure the motor is cooling-off before reset.

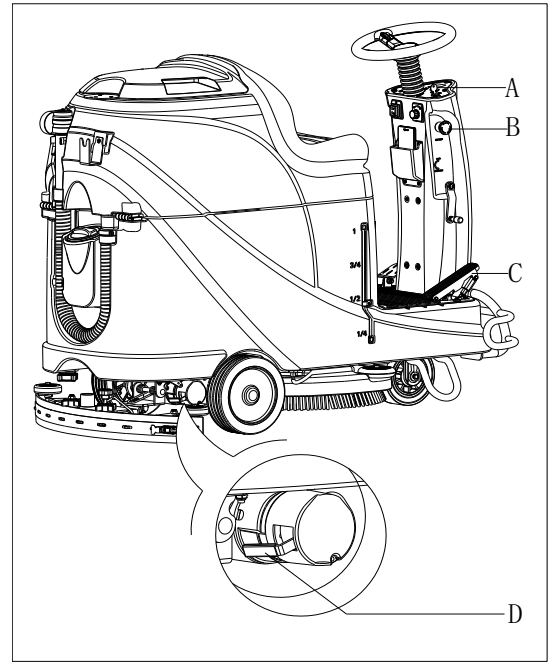


Figure 9

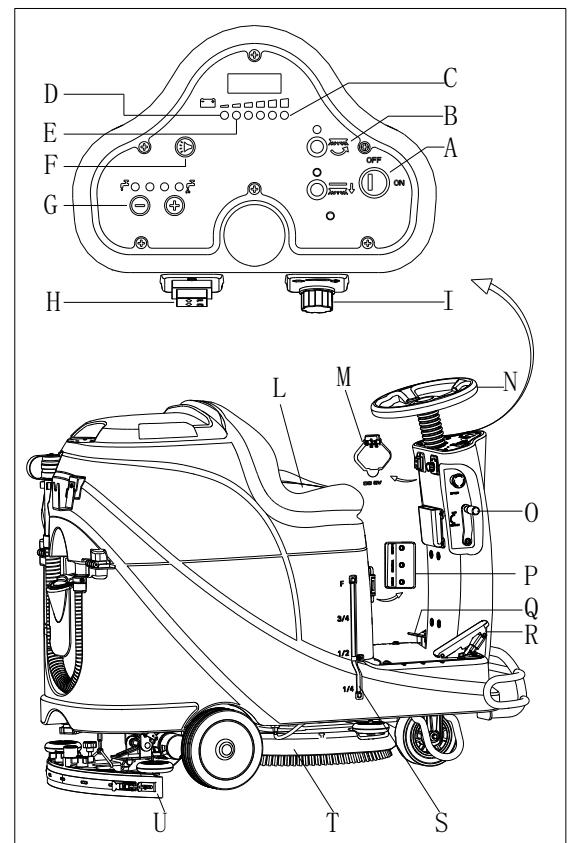


Figure 10

Stopping the machine

11. Loosen the accelerate pedal (R, Figure 10), the machine stops running.
12. Press brush button (B) to stop brush motor.
13. Lift brush assembly (T) by depressing the pedal (Q).
14. Lift squeegee assembly (U) by squeegee lifting/lowering lever (O), and a few seconds later the vacuum system will be closed.

15. Turn the key switch to "OFF"
16. Ensure the machine is stopped.

MACHINE OPERATION (SCRUBBING AND DRYING)

1. Start the machine according to procedures in previous paragraphs.
2. Start cleaning by following procedures in section of "Starting the machine".
3. If necessary, stop the machine to adjust squeegee according to section "Adjusting the balance of squeegee".



CAUTION!

To avoid any damage to the floor surface, turn off the brush/pad-holder when the machine stop in one place.



NOTE

For correct scrubbing/drying of floors at the sides of walls, we suggest to go near the walls with right side (Bumper wheel side) of the machine as shown in below Figure 11.

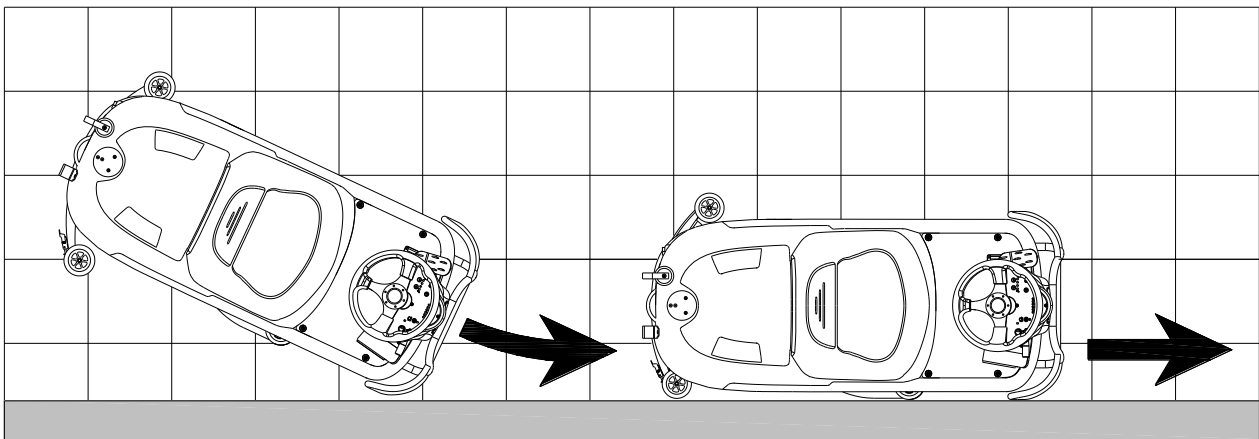


Figure 11

Battery charging during the work

When there is green light (A, Figure 12) on, the batteries have enough power for the machine to work normally; when all the green lights off, the yellow light (C, Figure 12) is on, the power of batteries are too low, please charge the batteries; when the red light (B, Figure 12) flashes, the batteries has run out, the vacuum motor and brush motor will be turned off automatically a few seconds delay, please drive the machine for batteries charging immediately.



CAUTION!

To avoid damaging the batteries and shortening their working life, do not use the machine once the batteries are flat.

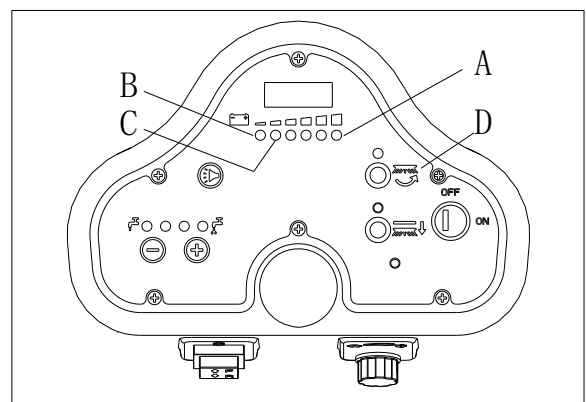


Figure 12

TANK EMPTYING

An automatic float shut-off system (B, Figure 13) blocks the vacuum system when the recovery water tank (C) is full. The vacuum system deactivation is signaled by a sudden increase in the vacuum system motor noise frequency, also the floor has not dried.



CAUTION!

If the vacuum system turns off accidentally, (For example, when the float is activated because of a sudden machine movement), to resume the operation: turnoff the vacuum system by pressing the switch (D, Figure 12), then open the cover (A, Figure 11) and check that the float inside the grid (B) has gone down to the water level. Then close the cover (A) and turn on the vacuum system by pressing the switch (D, Figure 12).

When the recovery water tank (C, Figure 13) is full, empty it according to the following procedure.

Recovery water tank emptying

1. Stop the machine.
2. Lift the brush/pad deck (H, Figure 12) by pressing the pedal (G).
3. Lift the squeegee with the lever (H).
4. Drive the machine to the appointed disposal area.
5. Empty the recovery tank with the drain hose (D). Then rinse the tank with clean water.



CAUTION!

When draining the wastewater, the drain hose must be folded (A, Figure 14) and put to a low position (B, Figure 14) before opening the drain hose cover. Do not make the outlet of the drain hose upward to drain the water vertically in order to avoid wastewater spilling onto the operator.

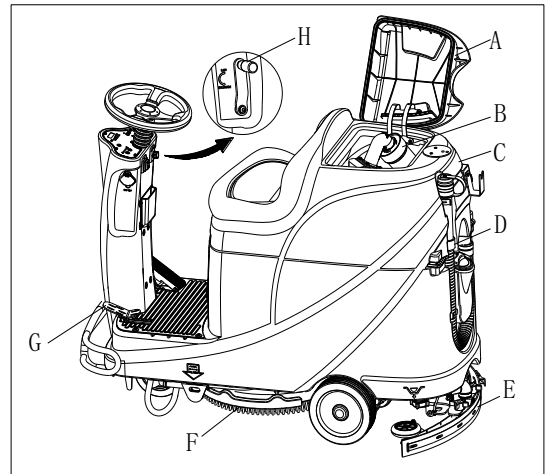


Figure 13

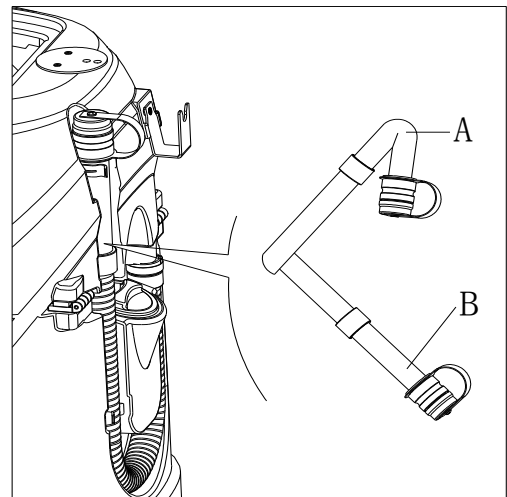


Figure 14

Solution/clean water tank emptying

6. Perform steps 1 to 4 in chapter "Recovery water tank emptying".
7. Empty the solution tank through the outlet cover (A, Figure 15). And then, rinse the tank with clean water.

AFTER USING THE MACHINE

After working, before leaving the machine:

1. Remove the brushes/pad-holder.
2. Empty the tanks (B and C, Figure 15) as shown in previous paragraph.
3. Perform the daily maintenance procedures (see the Maintenance chapter).
4. Store the machine in a clean and dry place, with the brushes / pad-holders and the squeegee lifted or removed.

MACHINE LONG INACTIVITY

If the machine is not going to be used for more than 30 days, proceed as follows:

1. Perform the procedures shown in "AFTER USING THE MACHINE" paragraph.
2. Disconnect the battery connector (D, Figure 15).

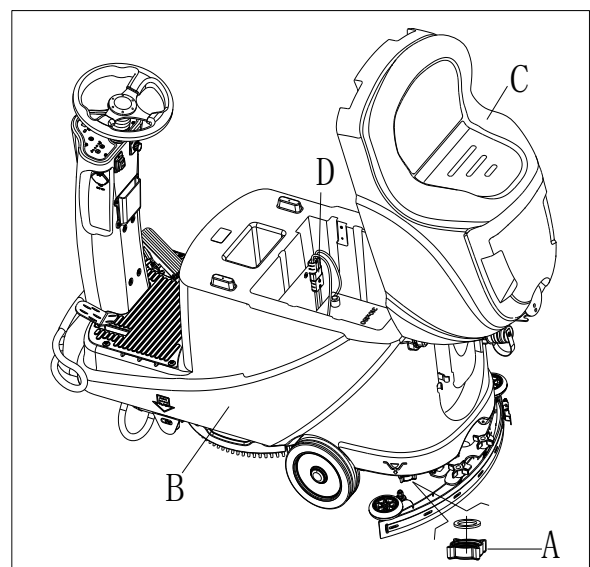


Figure 15

USING FOR THE FIRST TIME

After nine hours using of the machine for the first time, please check if any damage or abnormal situation, check whether the fasteners or fittings is loose.

MAINTENANCE



WARNING!

Maintenance procedures must be performed after the machine is turned off and the battery charger cable is disconnected. In addition, carefully read the safety chapters in the manual.

All scheduled or extraordinary maintenance procedures must be performed by qualified personnel or an authorized Service Center. This guide only describes the general and common maintenance procedures.

For other maintenance procedures that are in below maintenance schedule table, please refer to the Service Manual that can be consulted at any Service Center.

SCHEDULED MAINTENANCE TABLE

CAUTION!

The procedure marked with (1) must be performed when the machine is used after 9 hours for the first time.

The procedure marked with (2) must be done by Service Center that qualified by our company.

Procedure	Daily, after each use	Weekly	semiannually	Yearly
Battery charging				
Squeegee cleaning				
Brush/Pad-holder cleaning				
Tank cleaning				
Tank sealing strip inspection				
Float ball filter cleaning				
Squeegee blade check and replacement				
Cleaning water filter cleaning				
Suction filter cleaning				
WET battery fluid level check				
Screw and nut tightness inspection			(1)	
Brush/Pad-holder carbon brush check or replacement				(2)
Suction motor carbon brush check or replacement				(2)
Drive system motor carbon brush check or replacement (only for machine with traction)				(2)
Add lubricating oil for rotating parts			(1)	

BATTERY CHARGING



NOTE

Please charge the batteries when the yellow LED (32) or red LED (33) is on, or at the end of each working cycle.



CAUTION

Always keep the battery in a full charged state can extend its lifetime.



CAUTION

Please charge the battery as soon as possible if the battery level is low. Otherwise, the lifespan of battery can be reduced. It is better to check the battery at least once a week.



CAUTION!

To be especial careful when battery is charging, because there may be leaked acid in the process of charging. Battery acid is corrosive, if it accidentally comes into contact with the skin or eyes, rinse immediately with plenty of clean water and go to see a doctor.

The preparation steps to charge the batteries

1. Open the recovery tank cover (B, Figure 16) to check if the recovery tank (C) is empty, or empty the recovery tank through the drain hose (A).
2. Drive the machine to designated charging area.
3. Turn the key switch to "OFF".
4. This step only for WET batteries:
 - Clean the battery surface if necessary.
 - Check the battery electrolyte level of the batteries (D), if necessary, open the cover to full fill electrolyte, and then recover it.
 - Keep the cover opened during charging.
5. Select one of below charging mode base on the selected charger type.

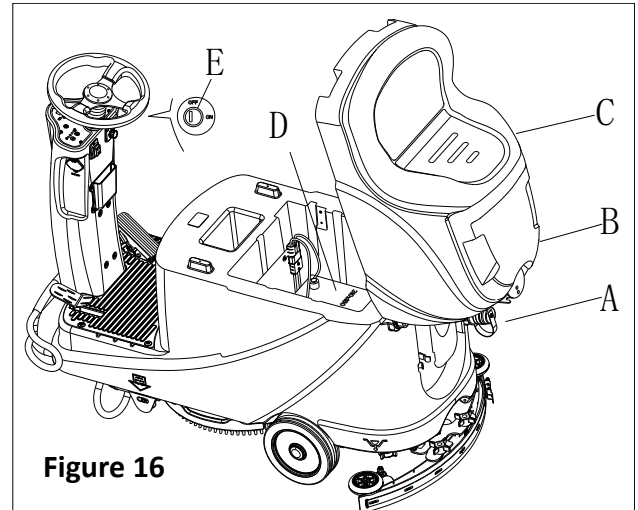


Figure 16

Use on-board charger for battery charging

6. Connect the battery charger cable (A, Figure 17) to the electric mains (G), and then all machine functions except charging are cut off automatically. The normally on red LED (B) states that the machine is in process of charging.
7. The batteries are fully charged when the green LED (C) becomes on.
8. Disconnect battery charge cable from electric mains after charging is completed, and then store the battery charger cable in the storage box (D).

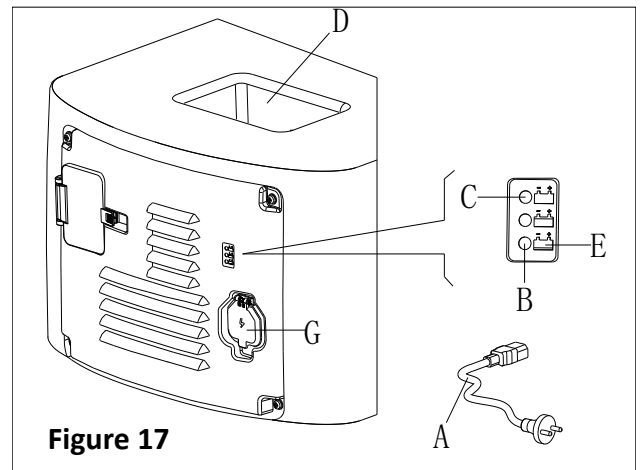


Figure 17



NOTE

For further information about on-board charger (E, Figure 17), please refer to relevant manual from service center.

BRUSH/PAD CLEANING



CAUTION!

It is recommended to wear gloves when cleaning the brush/pad-holder, since it may contain sharp fragments.

1. Take the brush/pad-holder off base on procedures in previous sections.
2. Clean the brush/pad-holder using water and detergent.
3. Check the integrity and abrasion conditions of the bristle on the brush, if necessary, replace the brush.
4. Check the abrasion condition of the polishing pad, if necessary, replace it.

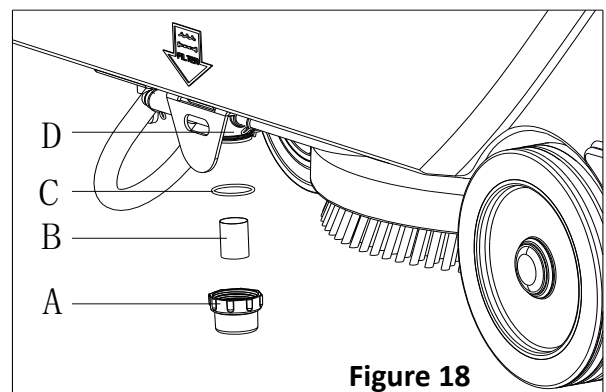


Figure 18

SOLUTION FILTER CLEANING

1. Drive the machine to the flat ground.
2. Make sure the machine is off.
3. Empty the solution tank (optional step).
4. Take down the solution filter cover (A, Figure 18) to clean the filter screen (B), and then fix them back to the filter support (D).



NOTE

The filter screen (B) must be correctly positioned to the housing of filter support (D).

SQUEEGEE CLEANING



NOTE

The squeegee must be clean and its blades must be in good conditions in order to get good drying.



CAUTION

It is advisable to wear protective gloves when cleaning the squeegee because there may be sharp debris.

1. Drive the machine on a level floor.
2. Turn the key switch (A, Figure 19) to "OFF".
3. Lower the squeegee (B) with the lever (C).
4. Loosen the knobs (D) and remove the squeegee.
5. Disconnect the vacuum hose (E) from the squeegee.
6. Clean the steel or aluminum squeegee, especially the compartments (A, Figure 20) and the holes (B). Check the integrity, cuts and tears of the front blade (B) and rear blade (C), if necessary, replace them according to procedures in the following paragraph.
7. Assemble the squeegee in the reverse order of disassembly.

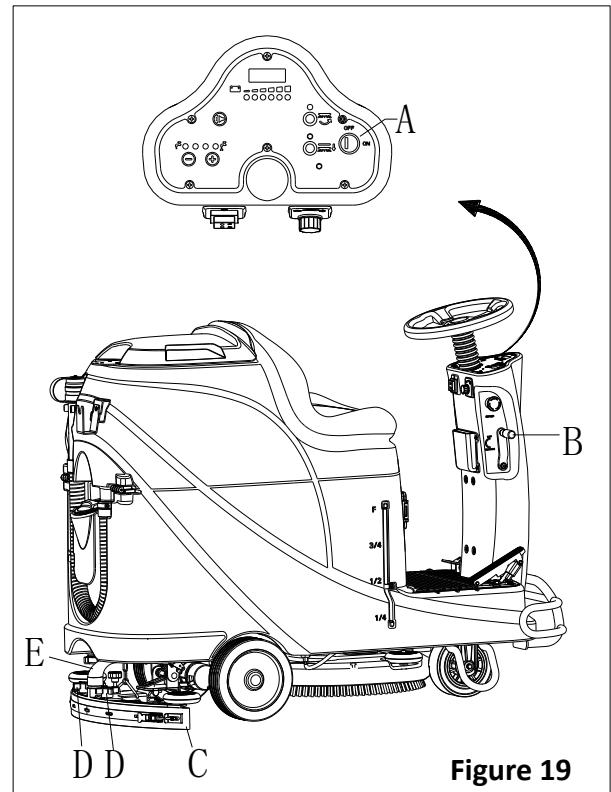


Figure 19

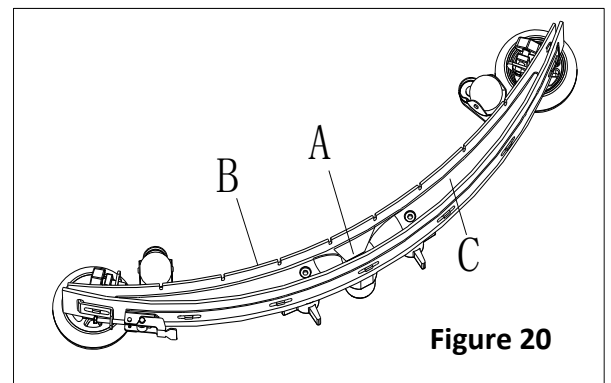


Figure 20

SQUEEGEE BLADE CHECK AND REPLACEMENT

1. Clean the steel or the aluminum squeegee, as shown in the previous paragraph.
2. Check that the edges (E, Figure 21) of the front blade (C) and the edges (F) of the rear blade (D) lay down on the same level, along their length; if necessary adjust their height according to the following procedure:
 - Remove the tie rod (G), disengage the fasteners (M) and adjust the rear blade (D), then engage the fasteners (M) and install the tie rod (G).
 - Loosen the knobs (I) and adjust the front blade (C), then tighten the knobs.
3. Check the front blade (C) and rear blade (D) for wear, cuts and tears; if necessary replace them according to the following procedure. Check that the front corner (J) of the rear blade (D) is not worn; if necessary overturn the blade to replace the worn corner with an integral one. If the other corners are worn too, replace the blade according to the following procedure:
 - Remove the tie rod (G), disengage the fastener (M) and remove the retaining strip (K), then replace/overturn the rear blade (D). Assemble the blade in the reverse order of disassembly.
 - Unscrew the knobs (I) and remove the retaining strip (L), then replace front blade (C). Assemble the blade in the reserve order of disassembly. After the blade replacement (or overturning), adjust the height as shown in the previous step.
4. Connect the vacuum hose (A, Figure 22) to the squeegee.
5. Install the squeegee (B) and screw down the knobs (C).
6. If necessary, adjust the squeegee balance adjusting knob (D).

TANK AND VACUUM GRID WITH FLOAT CLEANING, AND COVER GASKET CHECK

1. Drive the machine on a level floor.
2. Ensure that the machine is off and the ignition key (40) has been removed.
3. Turn the recovery tank lid (A, Figure 23) 90 degree position where it can be took off from the tank, and then take down the float ball filter (P) from the tank.
4. Clean the recovery tank lid (A), recovery tank (B), clean water tank (C) and the float ball filter support frame (E). Empty the recovery tank with the drain hose (15).
5. If necessary, follow the symbols "OPEN" and "CLOSE" as shown in Figure 23 to open the bottom cover (F) of float ball filter and then clean the float ball (D), filter support frame (E) and filter sponge (I). After cleaning, fix the float ball (D) into the filter support frame (E) and then align the mark groove (L) of the bottom cap (F) of the float ball filter with the mark groove (L) of the float filter support frame (E). Screw the bottom cap of the float ball filter tight, and fix the filter sponge (I) onto the float filter support frame (E). Finally, connect it to the sewage suction hose (M).
6. Inspect the integrity of the tank sealing strip.

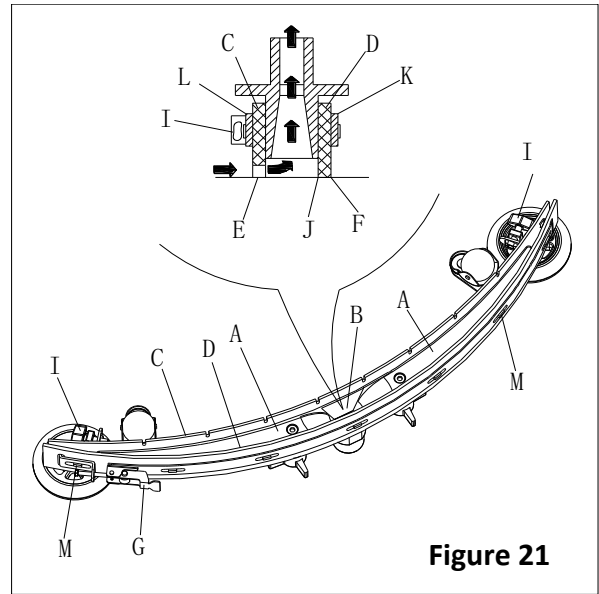


Figure 21



NOTE

Tank sealing strip (G) makes to produce the vacuum inside the tank when suction motor works. The tank must be sealed can effectively absorb the water from the ground to recovery tank.

7. Check whether the contact surface of sealing strip (G) is integrity and sealing is sufficient. If necessary, take the sealing strip of the tank out of the groove (H) and replace it. Assembly the new sealing strip as shown in Figure 23, the joint should be back in the middle area.
8. Close the recovery tank lid (A).

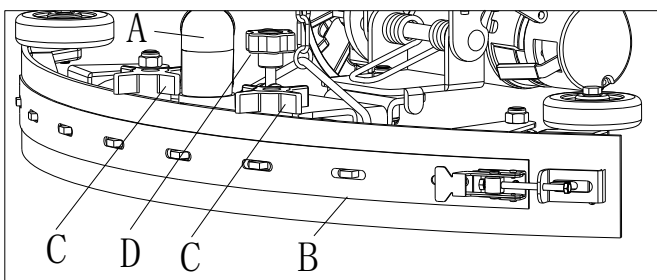


Figure 22

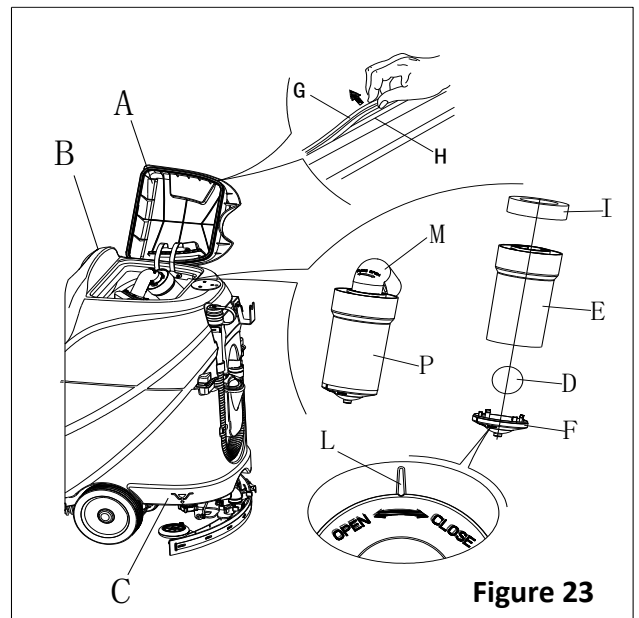


Figure 23

FUSE CHECK/REPLACEMENT

1. Turn the key switch (D, Figure 24) to "OFF".
2. Disconnect the battery connect cable.
3. Unscrew the screws (C) on the control panel and then turn over the PCBA to find the fuse (A and B).
4. Check/replace the fuses:
 - A) F1 is the low-power circuit fuse (5A)
 - B) F3 is brush dismount fuse (20A)
5. After check/replacement is done, re-assemble in the reserve order of dismount.
6. Check or reset the motor overload protector.
 - E) F5 is vacuum motor overload protector (30A)
 - F) F4 is drive motor overload protector (30A)
 - G) F2 is brush motor overload protector (30A)

ACCESSORIES/OPTIONS

In addition to the standard components, the machine can be equipped with the following accessories/options, according to the machine specific use.

For further information concerning the above mentioned optional accessories, contact an authorized retailer.

Accessories/Options

See "Parts List" section

1. GEL/AGM batteries
2. Pads of different materials

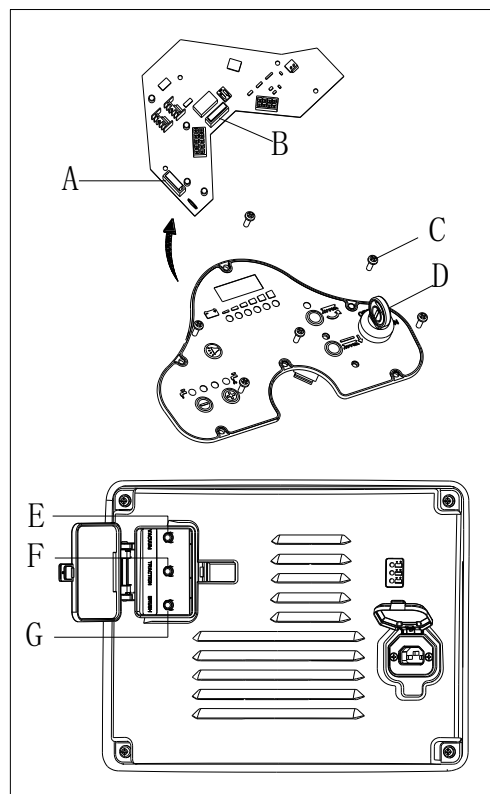


Figure 24

TROUBLE SHOOTING

Trouble	Probable causes	Remedy
The motors do not work; no warning light turns on (C9)	The battery connector is disconnected	Connect the battery connector
	The batteries are completely discharged	Charge the batteries
The machine do not work, red battery capacity warning light turns on (C8)	The batteries level is too low	Charge the batteries
The machine do not go-forward / backward	The control circuit board fault	Replace the control circuit board
	The drive motor controller fault	Refer to "DRIVE MOTOR ERROR INDICATOR INFORMATION"
	The operator not on the seat	Sit on the seat
	Squeegee is not lifted during machine goes backward	Lift the squeegee
The brush motor does not work	The control circuit board fault	Replace the control circuit board
	Brush motor overload	Use soft bristle brush that is suitable for cleaning, and reset the brush motor overload protector
	Brush motor contactor fault	Contact after-sales service
	Brush motor carbon brush wearing	Contact after-sales service
	Obstacles prevent the brush rotating	Clean the brush
The drive motor does not work	Drive motor trouble light turns on	Refer to "DRIVE MOTOR ERROR INDICATOR INFORMATION"
	Drive motor overload	Reset drive motor overload protector and check drive motor/circuit
The vacuum motor does not work	Vacuum motor overload	Reset vacuum motor overload protector and check vacuum motor
	Relay of vacuum motor fault	Contact after-sales service

	Control board fault	Replace the control board
Insufficient suction, the floor cannot be dried	Recovery tank is full	Empty the recovery tank
	Drain hose and squeegee poor connection	Connect the drain hose and squeegee correctly
	Float ball filter block	Clean the float ball filter and check the float ball position status
	Squeegee is dirty or wearing	Check and clean the squeegee
	The recovery tank cover is not closed properly, or the gasket is damaged, or the Bend tube is clogged	Close the cover correctly, or replace the gasket or clean the Bend tube.
	The Recovery tank is dirty	Clean the recovery tank
Insufficient solution supply to brush plate	The solution filter is dirty	Clean the filter
	The solution tank empty indicator is on	Fill the solution tank
	The solution tank is too dirty	Clean the solution tank
Squeegee leaves scratch on the floor	There are debris under the squeegee blade	Remove the debris
	Squeegee blade wear, crack, aged	Replace the squeegee blades
	The squeegee balance is not adjusted	Adjust the squeegee balance
Drive motor brake failure	The brake is locked	Set the brake unstuck

DRIVE MOTOR ERROR INDICATOR INFORMATION

LED CODES		FAULT	POSSIBLE CAUSE
1.1	□□	THERMAL FAULT	1. Temperature >80°C or < -10°C. 2. Excessive load on vehicle. 3. Operation in extreme environments. 4. Electromagnetic brake not releasing.
1.2	□□□	THROTTLE FAULT	1. Throttle input wire open or shorted. 2. Throttle pot defective. 3. Wrong throttle type selected.
1.3	□□□□	SPEED POT FAULT	1. Speed limit pot wire(s) broken or shorted. 2. Broken speed limit pot.
1.4	□□□□□	UNDERVOLTAGE FAULT	1. Battery voltage <17 volts. 2. Bad connection at battery or controller.
1.5	□□□□□□	OVERVOLTAGE FAULT	1. Battery voltage >31 volts. 2. Vehicle operating with charger attached. 3. Intermittent battery connection.
2.1	□□□	MAIN OFF FAULT	1. Main contactor driver failed open.
2.3	□□□□□	MAIN FAULT *	1. Main contactor welded or stuck open. 2. Main contactor driver fault.
2.4	□□□□□□	MAIN ON FAULT	1. Main contactor driver failed closed.
3.1	□□□□	WIRING FAULT *	1. Misadjusted throttle. 2. Broken throttle pot or throttle mechanism.
3.2	□□□□□	BRAKE ON FAULT	1. Electromagnetic brake driver shorted. 2. Electromagnetic brake coil open.
3.3	□□□□□□	PRECHARGE FAULT *	1. Brake driver shorted. 2. Precharge circuit damaged. 3. MOSFET failure.
3.4	□□□□□□□	BRAKE OFF FAULT	1. Electromagnetic brake driver open. 2. Electromagnetic brake coil shorted.
3.5	□□□□□□□□	HPD FAULT	1. Improper sequence of throttle and KSI, push, or inhibit inputs. 2. Misadjusted throttle pot.
4.1	□□□□□	CURRENT SENSE FAULT *	1. Short in motor or in motor wiring. 2. Controller failure.
4.2	□□□□□□	HARDWARE FAILSAFE *	1. Motor voltage does not correspond to throttle request. 2. Short in motor or in motor wiring. 3. Controller failure.

4.3	□□□□□□□□	EEPROM CHECKSUM FAULT †	1. EEPROM failure or fault.
4.5	□□□□□□□□□□	BATTERY DISCONNECT FAULT ※	1. Battery not connected. 2. Poor connection to battery terminals.

※ = Must cycle keys witch to clear.

† = Must use programmer to clear, as follows: select Program menu, alter data value of any parameter, cycle keys witch.



NOTE

The machine which is equipped with on-board charger will not be operated when the on-board charger malfunction, please contact our qualified maintenance center for help.

SCRAPPING

Scrap the machine by the qualified waste treatment institution.

Before the machine is scrapped, please take away and segregate below subassembly that relevant laws and regulations request must be disposed in appropriate way.

- Battery
- Brush/Pad-holder
- Plastic hose and plastic parts
- Electrical and electronic components (*)

(*) Please contact our service center to destroy any of electrical and electronic components.

TABLE DES MATIÈRES

INTRODUCTION	23
CONTENU DU MANUEL ET BUT	23
COMMENT GARDER CE MANUEL	23
DÉCLARATION DE CONFORMITÉ.....	23
ACCESSOIRES ET ENTRETIEN	23
CHANGEMENT ET AMÉLIORATION	23
CHAMP D'APPLICATION	23
DONNÉES D'IDENTIFICATION DE LA MACHINE	23
TRANSPORT ET DÉBALLAGE	23
SÉCURITÉ	24
SYMBOLES QUI APPARAISSENT SUR LE MANUEL D'UTILISATION.....	24
CONSIGNES GÉNÉRALES DE SÉCURITÉ.....	24
DESCRIPTION DE LA MACHINE	26
STRUCTURE DE LA MACHINE	26
PANNEAU DE COMMANDE.....	27
INFORMATIONS D'AFFICHAGE ÉCRAN LED.....	27
FENÊTRE D'AFFICHAGE DU VOYANT DU CHARGEUR	27
PARAMÈTRES TECHNIQUES	28
SCHÉMA DU CIRCUIT	29
GUIDE D'UTILISATION	31
INSTALLATION ET CONFIGURATION D'UNE NOUVELLE BATTERIE.....	31
INSTALLATION DES BATTERIES ET RÉGLAGE DU TYPE DE BATTERIE (AVEC ENTRETIEN OU GEL/AGM)	31
FREINAGE D'URGENCE	33
INSTALLATION ET DÉINSTALLATION DE LA BROSSE / DU COUSSINET	33
AJUSTEMENT DE L'ÉQUILIBRE DE L'EMBOUCHURE	34
REMPLISSAGE DU RÉSERVOIR DE LA SOLUTION	34
DÉMARRAGE ET ARRÊT DE LA MACHINE	35
FONCTIONNEMENT DE LA MACHINE (BROSSAGE ET SÉCHAGE)	36
VIDANGE DU RÉSERVOIR	37
APRÈS UTILISATION DE LA MACHINE.....	37
LONGUE INACTIVITÉ DE LA MACHINE	37
UTILISATION POUR LA PREMIÈRE FOIS.....	38
ENTRETIEN	38
CALENDRIER D'ENTRETIEN PROGRAMME	38
CHARGEMENT DE BATTERIE	38
NETTOYAGE DE LA BROSSE/DU DISQUE	39
NETTOYAGE DU FILTRE DE SOLUTION	40
NETTOYAGE DE L'EMBOUCHURE.....	40
VÉRIFICATION ET REMPLACEMENT DE LA LAMELLE DE L'EMBOUCHURE	40
NETTOYAGE DU RÉSERVOIR ET DE LA GRILLE D'ASPIRATION AVEC LE FLOTTEUR, VÉRIFICATION DU JOINT DE COUVERCLE.....	41
VÉRIFICATION / REMPLACEMENT DU FUSIBLE	42
ACCESSOIRES/OPTIONS	42
DÉPANNAGE	42
RECYCLAGE	44

INTRODUCTION



REMARQUE

Les chiffres entre parenthèses renvoient aux éléments présentés dans le chapitre Description de la Machine.

CONTENU DU MANUEL ET BUT

Le but de ce Mode d'Emploi est de fournir à l'opérateur des informations nécessaires afin d'utiliser correctement la machine et en toute sécurité. Il contient des informations sur des données techniques, la sécurité, l'exploitation, le stockage, la maintenance, les pièces de rechange et comment mettre au rebut.

Avant d'effectuer toute opération sur la machine, peu importe les opérateurs et les techniciens qualifiés doivent lire attentivement ce manuel. Contacter le centre d'entretien de notre société pour toute question concernant ce manuel ou pour toute information complémentaire qui est nécessaire.

Les opérateurs ne doivent pas effectuer de procédures qui devraient être faites par des techniciens qualifiés. Notre société ne sera pas responsable des dommages provenant du non-respect de cette interdiction.

COMMENT GARDER CE MANUEL

Le manuel doit être conservé près de la machine, dans une enveloppe spéciale, loin de liquides et d'autres substances qui peuvent causer des dommages à celle-ci.

DÉCLARATION DE CONFORMITÉ

La déclaration de conformité est fournie avec la machine et en atteste la conformité aux lois en vigueur.



REMARQUE

Les copies de la déclaration originale de conformité sont fournies avec la documentation de la machine.

ACCESSOIRES ET ENTRETIEN

Toutes les opérations d'entretien et de réparation doivent être effectuées par un personnel qualifié ou par un service de maintenance agréé. SEULS les pièces détachées et les accessoires autorisés doivent être utilisés.

Contactez notre service après-vente pour tout service ou achat d'accessoires ou pièces détachées si nécessaire.

CHANGEMENT ET AMÉLIORATION

Nous nous sommes engagés à une amélioration continue de nos produits. Notre société se réserve le droit de modifier et d'améliorer la machine sans vous en informer.

CHAMP D'APPLICATION

L'autolaveuse est à usage commercial et industriel. Elle est adaptée pour le nettoyage de sols lisses et durs. Pour plus de sécurité, elle doit être utilisée par un personnel qualifié. Elle ne convient pas pour une utilisation en extérieur ou pour le nettoyage de la moquette ou des sols rugueux.

DONNÉES D'IDENTIFICATION DE LA MACHINE

Le numéro de série et le nom du modèle de la machine sont indiqués sur l'étiquette.

Ces informations sont importantes. Utiliser le tableau suivant pour noter les données d'identification de la machine, nécessaires lors de la commande de pièces de rechange.

MODÈLE DE LA MACHINE.....
NUMÉRO DE SÉRIE DE LA MACHINE.....

TRANSPORT ET DÉBALLAGE

À la livraison s'assurer que l'emballage et la machine sont intacts et en bon état. En cas de dommage, porter à la connaissance du transporteur les dommages et avant d'accepter les marchandises, effectuer des réserves.

Suivre attentivement les instructions sur l'emballage, lors du déballage de la machine.

Vérifier l'emballage pour assurer que les éléments suivants sont inclus:

1. Documentations techniques, y compris manuel utilisateur et manuel du chargeur à bord s'il est équipé du chargeur à bord.
2. Câble du chargeur, s'il est équipé du chargeur à bord.

SÉCURITÉ

Les symboles suivants indiquent les situations potentiellement dangereuses. Toujours lire attentivement ces informations et prendre toutes les précautions nécessaires pour protéger les personnes et les biens.

SYMBOLES QUI APPARAISSENT SUR LE MANUEL D'UTILISATION



DANGER!

Cela indique une situation dangereuse avec risque de mort pour l'opérateur.



ATTENTION!

Cela indique un risque potentiel de blessure pour les personnes.



ATTENTION!

Cela indique un avertissement ou une remarque concernant des fonctions clés ou utiles. Prêter attention aux paragraphes marqués par ce symbole.



REMARQUE

Cela indique une remarque sur des fonctions clés ou utiles.



CONSULTATION

Cela indique la nécessité de se référer aux instructions d'utilisation avant toute manipulation.

CONSIGNES GÉNÉRALES DE SÉCURITÉ

Les avertissements et les mises en garde spécifiques, pour informer des dommages potentiels aux personnes et à la machine, sont indiqués ci-dessous.



DANGER!

- Cette machine doit être utilisée par un personnel qualifié selon les conseils du manuel.
- Avant d'effectuer toute opération de nettoyage, d'entretien, de réparation ou de remplacement, lire attentivement toutes les instructions, s'assurer d'éteindre la machine et de débrancher le connecteur de la batterie.
- Ne pas faire fonctionner la machine à proximité de poudres, liquides ou vapeurs toxiques, dangereux, inflammables et/ou explosifs. Cette machine ne convient pas pour la collecte des poudres dangereuses.
- Ne pas porter de bijoux, lorsque vous travaillez à proximité de composants électriques.
- Ne pas travailler sous la machine soulevée, sans la maintenir avec des sangles de sécurité.
- Lors de l'utilisation de batteries au plomb (AVEC ENTRETIEN), elles peuvent émettre des gaz inflammables en utilisation normale, vous devez éloigner les étincelles, les flammes, les substances fumigènes et les éléments rayonnants, éclairants et brûlants des batteries.
- Quand vous chargez les batteries au plomb (AVEC ENTRETIEN), elles peuvent émettre de l'hydrogène gazeux ce qui peut provoquer des explosions. Assurez-vous que le local de charge soit bien aéré et éloigné des flammes nues.



ATTENTION!

- Inspecter attentivement la machine avant chaque utilisation. Veiller à ce que tous les composants aient été bien assemblés avant l'utilisation. À défaut cela peut causer des dommages aux personnes et aux biens.
- Avant d'utiliser le chargeur de batterie, veiller à ce que les valeurs de fréquence et de tension indiquées sur l'étiquette du numéro de série de la machine correspondent à celles du secteur.
- Ne jamais déplacer la machine en tirant sur le câble du chargeur de batterie. Ne pas faire passer le câble sous une porte fermée. Ne pas faire fonctionner la machine avec le câble du chargeur de batterie. Éloigner le câble du chargeur de batterie des surfaces chauffées.
Ne pas charger les batteries si le câble de chargeur de batterie ou la fiche sont endommagés.
- Pour réduire le risque d'incendie, de choc électrique ou de blessure, s'assurer que la machine est éteinte avant de partir.
- Utiliser ou stocker la machine en intérieur dans des conditions sèches, il est interdit de l'utiliser en extérieur.
- La température de stockage et celle de travail doivent être comprise entre 0 ° C et +40 ° C, l'humidité de l'air doit être comprise entre 30% et 95%.
- Ne pas utiliser la machine sur des pentes avec une inclinaison dépassant ce qui est défini dans le cahier des charges.
- Lors de l'utilisation et de la manipulation de détergents de nettoyage de sols, suivre les instructions sur les étiquettes des bouteilles de détergent et porter des gants et des protections appropriées.
- Utiliser des brosses et des disques fournis avec la machine ou définis dans le manuel. L'utilisation d'autres brosses ou de disques pourrait nuire à la sécurité.
- En cas de dysfonctionnements de la machine, vérifier l'entretien de la machine. Si nécessaire, demander l'assistance du personnel autorisé ou d'un centre de maintenance agréé.
- Prendre toutes les précautions nécessaires pour empêcher les cheveux, les bijoux et les vêtements amples d'être retenus par des pièces en mouvement de la machine.
- Ne pas utiliser la machine dans des endroits particulièrement poussiéreux.
Ne pas laver la machine avec des jets d'eau directs ou sous pression, ou avec des substances corrosives.
- Ne pas heurter des étagères ou des échafaudages, en particulier là où un risque de chute d'objets existe.
- Ne pas incliner de récipients de liquide sur la machine, utiliser le porte gobelet.
- Pour éviter d'endommager le sol, ne pas laisser la brosse/le disque fonctionner alors que la machine est à l'arrêt.
- En cas d'incendie, utiliser un extincteur à poudre. Ne pas utiliser les extincteurs liquides.
- Ne pas enlever ou modifier les autocollants de la machine.
- Suivre scrupuleusement les instructions d'entretien journalier.
- Faire attention lors du transport de la machine, lorsque la température est basse. L'eau, dans le réservoir de récupération et dans les tuyaux, pourrait geler et causer de sérieux dommages à la machine.
- Si les pièces détachées doivent être remplacées, commander les pièces détachées D'ORIGINE auprès de détaillants agréés.
- Retourner la machine au centre d'entretien, si elle ne fonctionne pas comme d'habitude ou si elle est endommagée.
- Pour assurer un fonctionnement adéquat et sécurisé de la machine, l'entretien prévu indiqué dans le chapitre de ce manuel, doit être effectué par le personnel autorisé ou un centre d'entretien autorisé.
- La machine doit être correctement recyclée, en raison de la présence de matières toxiques (batteries, etc.), qui sont soumises à des normes qui exigent l'élimination dans des centres spéciaux (voir le chapitre Recyclage).
- Cette machine est un outil de nettoyage, et ne doit pas être utilisée pour toute autre utilisation.
- Toujours garder les ouvertures exemptes de poussière, de poils et de tout autre corps étranger qui pourrait réduire le flux d'air. Ne pas utiliser la machine si les ouvertures sont bouchées.
- Utiliser uniquement la machine lorsqu'un éclairage adéquat est fourni.
- Cette machine n'est pas conçue pour être utilisée par des personnes physiquement ou intellectuellement déficientes ou sans expérience ni connaissances, à moins qu'elles ne soient sous surveillance ou bien qu'elles n'aient été informées quant à l'utilisation de l'appareil de manière sécurisée, par une personne responsable de leur sécurité.
- Une attention particulière est nécessaire lorsqu'elle est utilisée à proximité des enfants.
- Les enfants doivent rester sous surveillance afin de s'assurer qu'ils ne jouent pas avec la machine.
- Tout en utilisant cette machine, prendre soin de ne pas causer de dommages aux personnes ou aux objets se trouvant aux alentours.

DESCRIPTION DE LA MACHINE

STRUCTURE DE LA MACHINE (comme représenté sur la Figure 1)

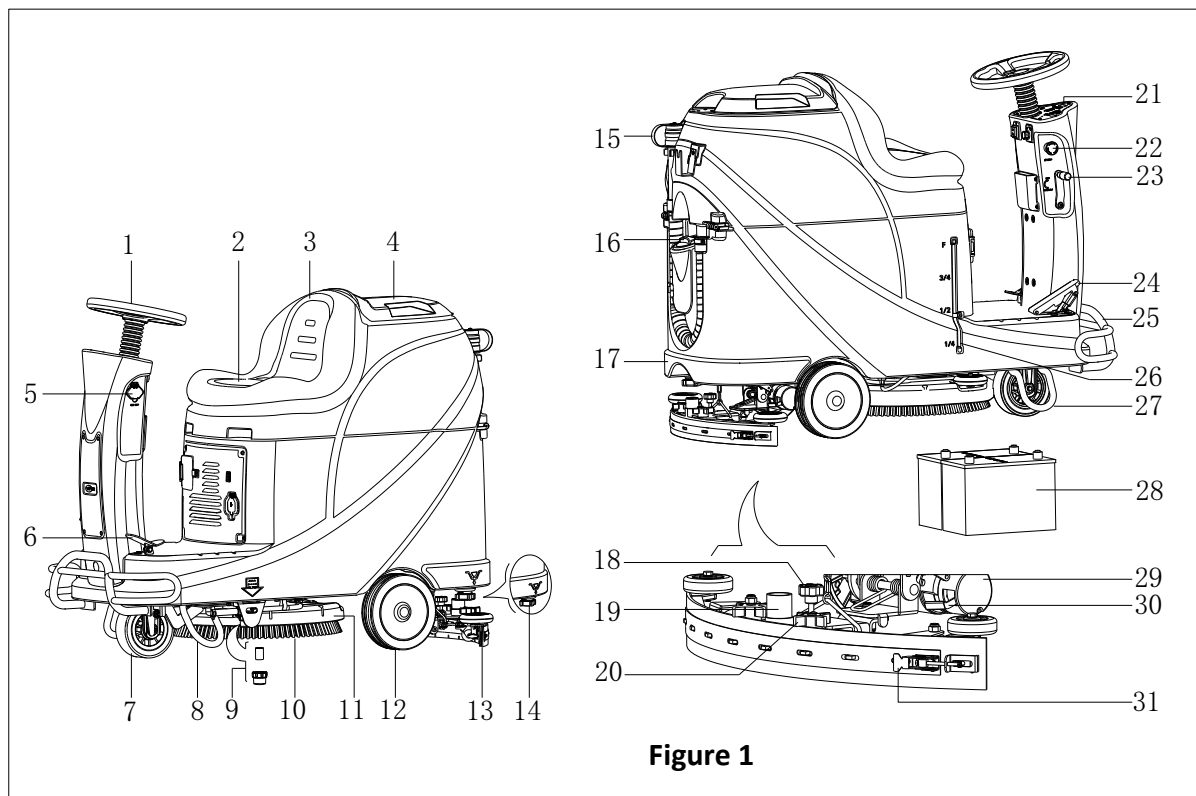


Figure 1

- | | |
|--|---|
| 1. Volant | 17. Réservoir de solution |
| 2. Siège | 18. Molette de réglage de la raclette |
| 3. Réservoir de récupération | 19. Embout d'aspiration |
| 4. Couverture du réservoir de récupération | 20. Visserie pour la raclette |
| 5. Port USB de charge | 21. Panneau de contrôle |
| 6. Pédale | 22. Interrupteur d'urgence |
| 7. Roue avant | 23. Levier de levage / de descente de la raclette |
| 8. Protection gauche | 24. Pédale d'accélération |
| 9. Filtre de solution | 25. Parechoc avant |
| 10. Brosse | 26. Indicateur de niveau de solution |
| 11. Carter de brosse | 27. Protection droite |
| 12. Roue arrière | 28. Batterie |
| 13. Ensemble de raclette | 29. Moteur d'entraînement |
| 14. Bouchon de vidange de solution | 30. Support du bloc de frein |
| 15. Tuyau de vidange des égouts | 31. Attache rapide de la lame de raclette |
| 16. Bouchon pour remplissage | |

DESCRIPTION DE LA MACHINE

PANNEAU DE COMMANDE (comme représenté sur la Figure 2)

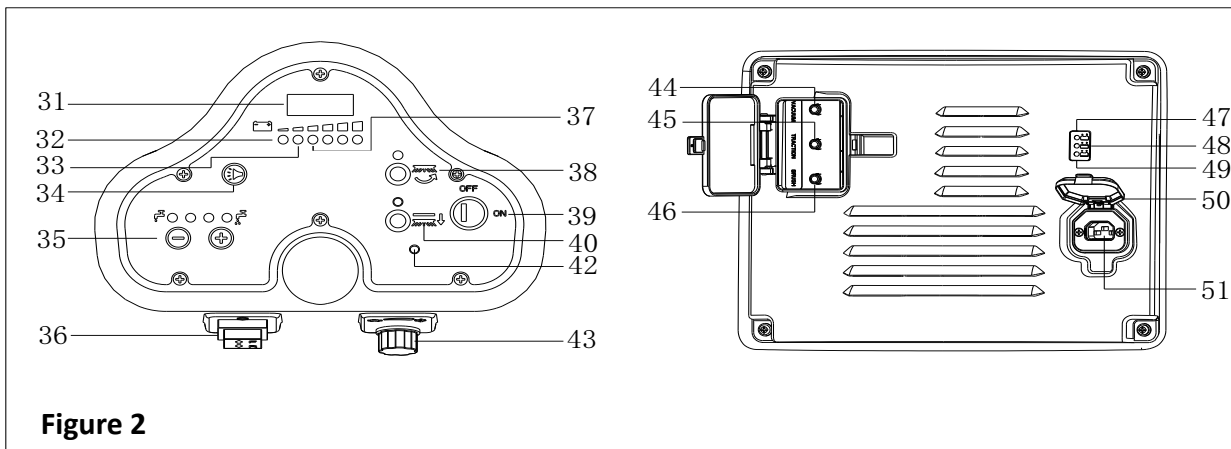


Figure 2

- | | |
|--|---|
| 31. Écran LED | 42. Voyant d'indication problème de traction |
| 32. Voyant d'avertissement de batterie déchargée (rouge) | 43. Bouton de réglage de la vitesse |
| 33. Voyant de batterie semi-déchargée (jaune) | 44. Protecteur contre la surcharge du moteur d'aspiration |
| 34. Bouton du klaxon | 45. Protecteur contre la surcharge du moteur d'entraînement |
| 35. Bouton de réglage du volume de solution | 46. Protecteur contre la surcharge du moteur de la brosse |
| 36. Interrupteur avant-arrière | 47. Voyant de batterie complètement chargée (vert) |
| 37. Témoin de décharge de la batterie (vert) | 48. Voyant de batterie semi-chargée (jaune) |
| 38. Bouton de la brosse | 49. Voyant de charge de la batterie (rouge) |
| 39. Clé de contact | 50. Couvercle de la fiche du chargeur |
| 40. Bouton de désinstallation de brosse | 51. Fiche du chargeur |

INFORMATIONS D'AFFICHAGE ÉCRAN LED

STOP – La machine ne peut pas se déplacer, la brosse cesse de fonctionner mais le moteur d'aspiration peut fonctionner (00012.3) – Le nombre total d'heures de fonctionnement de la machine est de 12,3 heures

L0-(18) – Tension de la batterie inférieure à 18V

U-(25.5) – Tension de la batterie est 25,5V

ERR-01 – - La raclette n'est pas soulevée lorsque la machine recule.

FENÊTRE D'AFFICHAGE DU VOYANT DU CHARGEUR (comme représenté sur la Figure 2)

1. Au début de la charge, la LED rouge (49) du chargeur est normalement allumée. C'est la première étape de charge.
2. Après la charge pendant un certain temps, le voyant LED rouge (49) sur le chargeur s'éteint, le voyant LED jaune (48) s'allume, c'est la deuxième étape de charge.
3. Lorsque la charge est complète, le voyant LED jaune (48) s'éteint, le voyant LED vert (47) s'allume pour indiquer que la batterie est complètement chargée.



REMARQUE

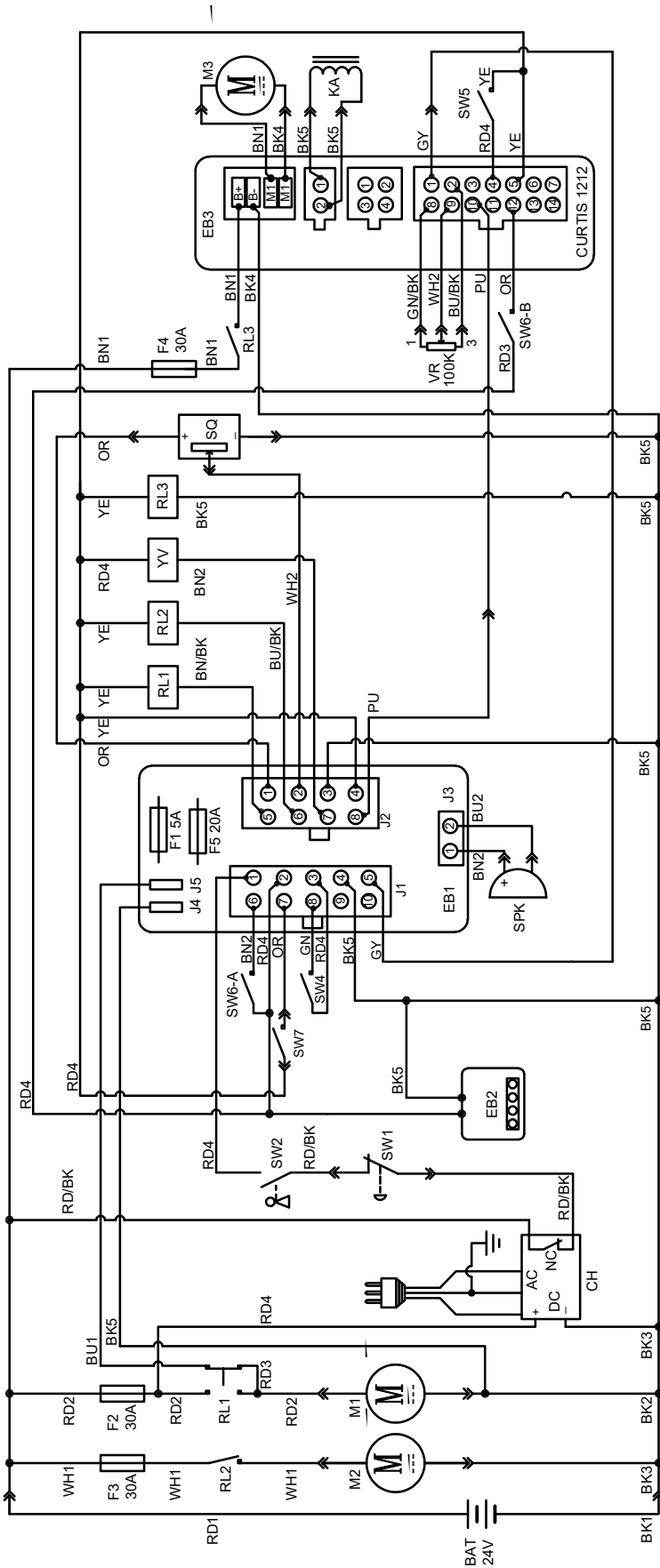
Dans le processus de charge, si le voyant jaune (48) est allumé, il peut être causé par : la batterie et le chargeur ne correspondent pas, la batterie est mal connectée ou la sortie est court-circuitée.

Le clignotement du voyant rouge du chargeur peut être causé par le court-circuit interne du chargeur.

PARAMÈTRES TECHNIQUES

MODÈLE	AS530R	
Dimensions de l'emballage (L x l x H)	mm	1470*730*1310
Hauteur de la machine	mm	1120
Longueur de la machine	mm	1360
Largeur de la machine (sans raclette)	mm	580
Poids de la machine avec réservoirs vides (sans batteries)	Kg	140
Poids total en charge (GVW)	Kg	270
Poids machine emballée	Kg	245
Capacité de réservoir de la solution	Litre	72
Capacité de réservoir de récupération	Litre	73
Puissance du moteur d'aspiration	Watt	400
Colonne d'aspiration	mm H ₂ O	1223
Pente admissible (Max)	%	10
Diamètre roues avant	mm	φ175
Diamètre roue arrière	mm	φ230
Niveau sonore	dB(A)	69
Débit d'eau	L/min	0,84-2,0
Largeur de travail	mm	530
Largeur de l'embouchure	mm	730
Diamètre de la brosse/du disque	mm	530
Puissance du moteur de brosse	Watt	450
Vitesse de la brosse	Tr/min	160
Pression de la brosse/du disque (Max)	Kg	23
Puissance du moteur d'entraînement	Watt	300W
Vitesse de travail	Km/h	5,5km/h
Tension	V	24V
Batterie (optionnel)	Ah	2x100AH (20 heures)
Chargeur de batterie (optionnel)	V/A	24V 10A
Dimensions de l'emballage (L x l x H)	mm	350*380*300
Spécification du chargeur USB	V/A	5V, 0,8A

SCHEMA DU CIRCUIT



WIRE ROD	
RD1	BROWN/BLACK / 20AWG
RD2	RED/10AWG
RD3	RED/18AWG
RD4	RED/20AWG
RD/BK	RED/BLACK / 20AWG
BK1	BLACK/6AWG
BK2	BLACK/10AWG
BK3	BLACK/12AWG
BK4	BLACK/14AWG
BK5	BLACK/18AWG
BN1	BROWN/14AWG
BN2	BROWN/20AWG

COMPONENTS	
BAT	24V BATTERIES
CH	BATTERY CHARGER
EB1	CONTROL PANEL BOARD
EB2	USB CHARGING ELECTRONIC BOARD
EB3	DRIVE ELECTRONIC BOARD
RL1	BRUSH MOTOR ELECTROM SWITCH
RL2	VACUUM MOTOR ELECTROM SWITCH
RL3	DRIVE SYSTEM ELECTROM SWITCH
YV	WATER ELECTROVALVE
F1	CONTROL PANEL BOARD FUSE
F2	BRUSH MOTOR CIRCUIT BREAKER
F3	VACUUM MOTOR CIRCUIT BREAKER
F4	DRIVE SYSTEM CIRCUIT BREAKER
F5	BRUSH RELEASE FUSE
KA	BRAKE
M1	BRUSH MOTOR
M2	VACUUM MOTOR
M3	DRIVE MOTOR
SW1	EMERGENCY-STOP SWITCH
SW2	KEY SWITCH
SW4	VACUUM MOTOR SWITCH
SW5	OPTIONAL MODE SWITCH
SW6-A	OPTIONAL REVERSE SWITCH
SW6-B	OPTIONAL REVERSE SWITCH
SW7	SEAT SWITCH
SQ	FOOT THROTTLE
SPK	12VDC BUZZER
VR	SPEED POTENTIOMETER

COMPOSANTS		COMPOSANTS	
BAT	BATTERIES 24V	M1	MOTEUR DE LA BROUSSE
CH	CHARGEUR DE BATTERIE	M2	MOTEUR D'ASPIRATION
EB1	PANNEAU DE CONTRÔLE	M3	MOTEUR D'ENTRAÎNEMENT
EB2	CARTE ELECTRONIQUE DU CHARGEUR USB	SW1	INTERRUPTEUR D'ARRÊT D'URGENCE
EB3	CARTE ELECTRONIQUE DU MOTEUR	SW2	CLÉ DE CONTACT
RL1	INTERRUPTEUR ELECTRONIQUE DU MOTEUR DE LA BROUSSE		
RL2	INTERRUPTEUR ELECTRONIQUE DU MOTEUR D'ASPIRATION	SW4	INTERRUPTEUR DU MOTEUR D'ASPIRATION
RL3	INTERRUPTEUR ELECTRONIQUE DU SYSTÈME D'ENTRAÎNEMENT	SW5	INTERRUPTEUR OPTIONNEL DE MODE
YV	ÉLECTROVANNE D'EAU	SW6-A	INTERRUPTEUR OPTIONNEL D'ARRIÈRE
F1	FUSIBLE DU PANNEAU DE CONTRÔLE	SW6-B	INTERRUPTEUR OPTIONNEL D'ARRIÈRE
F2	DISJONCTEUR DU MOTEUR DE LA BROUSSE	SW7	INTERRUPTEUR DU SIÈGE
F3	DISJONCTEUR DU MOTEUR D'ASPIRATION	SQ	ACCÉLÉRATEUR A PÉDALE
F4	DISJONCTEUR DU SYSTÈME D'ENTRAÎNEMENT	SPK	AVERTISSEUR DE 12VDC
F5	FUSIBLE DE SORTIE DE LA BROUSSE	VR	POTENTIOMÈTRE DE VITESSE
KA	FREIN		

FIL MACHINE		FIL MACHINE	
RD1	ROUGE/6AWG	BN/BK	MARRON/NOIR/20AWG
RD2	ROUGE/10AWG	BU1	BLEU/18AWG
RD3	ROUGE/18AWG	BU2	BLEU/20AWG
RD4	ROUGE/20AWG	BU/BK	BLEU/NOIR/20 AWG
RD/BK	ROUGE/NOIR/20AWG	GN	VERT/20AWG
BK1	NOIR/6AWG	GN/BK	VERT/NOIR/20AWG
BK2	NOIR/10AWG	GY	GRIS/20AWG
BK3	NOIR/12AWG	PU	VIOLET/20AWG
BK4	NOIR/14AWG	OR	ORANGE/20AWG
BK5	NOIR/18AWG	YE	JAUNE/20AWG
BN1	MARRON/14AWG	WH1	BLANC/12 AWG
BN2	MARRON/20AWG	WH2	BLANC/20AWG

GUIDE D'UTILISATION



ATTENTION!

Accorder une grande attention à ces symboles dans ce manuel:

- DANGER!
- ATTENTION!
- MISE EN GARDE!
- CONSULTATION

Ne jamais couvrir ces symboles sur la machine pour une raison quelconque, la remplacer immédiatement en cas de dommage.

INSTALLATION ET CONFIGURATION D'UNE NOUVELLE BATTERIE



ATTENTION!

Les composants électriques de la machine peuvent être sérieusement endommagés si les batteries sont soit mal installées ou mal connectées.

Les batteries doivent être installées par un personnel qualifié. Régler le chargeur de batterie (optionnel) et PCBA de la machine selon le type de batterie (AVEC ENTRETIEN ou GEL/AGM).

Vérifier si les batteries sont endommagées, avant de les installer.

Déconnecter le connecteur de la batterie et la fiche du chargeur de batterie.

Manipuler les batteries avec beaucoup d'attention.



REMARQUE

La machine nécessite deux batteries de 12V, connectées selon la Figure 3.

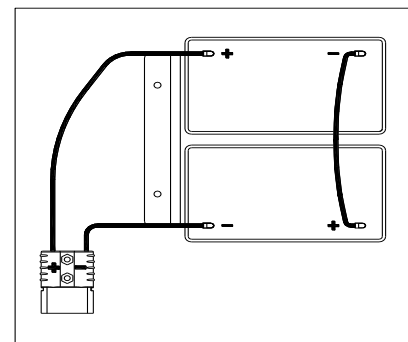


Figure 3

La machine peut fonctionner dans l'un des modes de batterie suivants:

A) Les batteries AVEC ENTRETIEN ou GEL/AGM sont déjà installées et prêtes à être utilisées

1. Vérifier les batteries et connecter le connecteur de la batterie à la machine.
2. Insérer la clé de contact (40) et tourner vers « marche ». Si le voyant vert (37) s'allume, les batteries sont complètement chargées pour utilisation ; si le voyant jaune ou rouge (33 ou 32) s'allume, les batteries doivent être mises en charge.

B) Sans batteries

1. Si votre machine n'est pas équipée des batteries, achetez des batteries appropriées [Voir le paragraphe sur Paramètres techniques]. Pour le choix et l'installation concernant la batterie, contacter les détaillants de batteries qualifiés.
2. Lorsque les batteries sont prêtes, régler la machine et le chargeur de batterie selon le type de batteries installées, puis suivre les procédures indiquées dans le paragraphe suivant.

INSTALLATION DES BATTERIES ET RÉGLAGE DU TYPE DE BATTERIE (AVEC ENTRETIEN OU GEL/AGM)

Régler la carte électronique de la machine et le chargeur de batterie selon le type des batteries (AVEC ENTRETIEN ou GEL/AGM) en suivant les étapes ci-dessous:





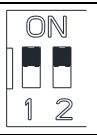
REMARQUE

Lors de l'installation de nouvelles batteries, suivre la Figure 4 pour régler l'interrupteur DIP, sinon les batteries peuvent être endommagées à cause d'un mauvais réglage.

Réglage de la machine

1. Insérer la clé de contact (40) et tourner vers « marche », faire attention aux points ci-dessous pendant les premières secondes de démarrage de la machine:
 - Si le voyant vert (37) clignote, la machine est configurée pour utiliser des batteries GEL/AGM.
 - Si le voyant jaune (33) clignote, la machine est configurée pour utiliser des batteries AGM EV Discover.
 - Si le voyant rouge (32) clignote, la machine est configurée pour utiliser des batteries AVEC ENTRETIEN.
2. Suivre les étapes ci-dessous pour modifier les réglages de la machine.

3. Le réglage usine de la machine est d'utiliser des batteries AGM EV Discover. Si le réglage correspond aux batteries sélectionnées, passer directement à l'étape 6, ou suivre l'étape suivante.
4. Dévisser la vis (B, Figure 4) sur le panneau de contrôle, puis tourner le PCBA (A) sur le panneau pour trouver l'interrupteur DIP (D), suivre la Figure 4 pour les réglages DIP.
5. Effectuer les étapes dans l'ordre inverse du démontage pour fixer le panneau de contrôle et pour verrouiller la vis après la terminaison du réglage.

1		BATTERIES AVEC ENTRETIEN (REMARQUE : Tourner la broche 1 et la broche 2 de l'interrupteur DIP vers « arrêt »)
2		BATTERIES AGM EV DISCOVER (REMARQUE : Tourner la broche 1 de l'interrupteur DIP vers « marche », la broche 2 vers « arrêt »)
3		BATTERIES GÉNÉRALES GEL/AGM (REMARQUE : Tourner la broche 1 et la broche 2 de l'interrupteur DIP vers « marche »)

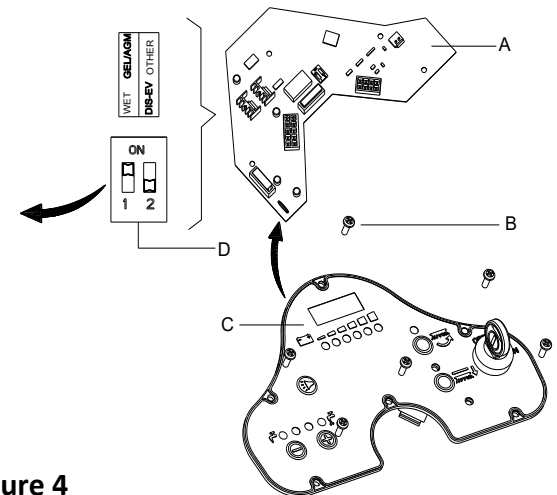


Figure 4

Installation de la batterie

6. Ouvrir le couvercle du réservoir de récupération (4) et vérifier si le réservoir de récupération (3) est vide; sinon, le vider avec le tuyau de vidange (15).
7. Fermer le couvercle du réservoir de récupération (4).
8. Basculer le réservoir de récupération (3) avec précaution.
9. La machine est livrée avec des câbles appropriés pour installer les batteries de 2x12V. Mettre soigneusement les batteries dans le compartiment, puis les installer correctement.
10. Installer le câble de la batterie comme indiqué dans (Figure 3), puis serrer soigneusement l'écrou sur chaque borne de la batterie.
11. Placer le capot de protection sur chaque borne, puis connecter le connecteur de la batterie.
12. Abaisser avec précaution le réservoir de récupération (3).

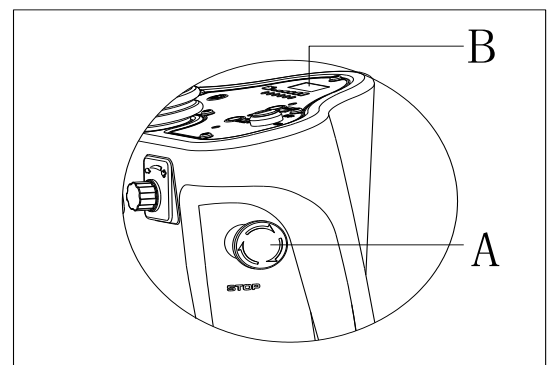


Figure 5

Charge des batteries

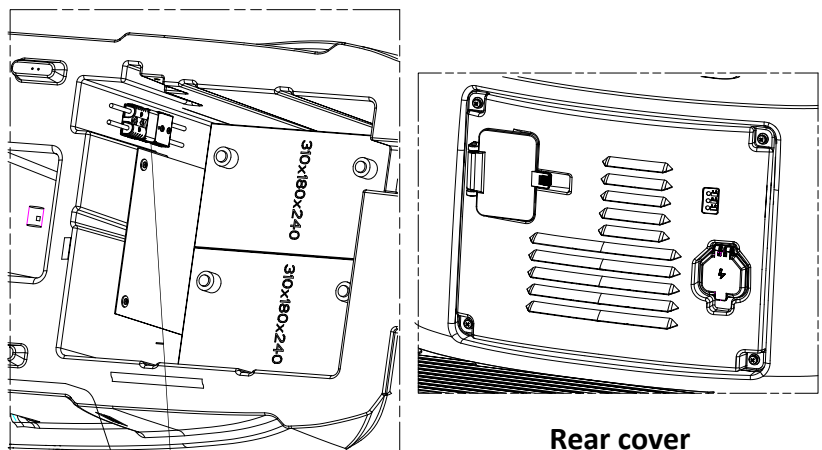
13. Charge des batteries. [Se référer au chapitre ENTRETIEN].

Réglage du chargeur de batterie (uniquement pour les chargeurs embarqués, s'ils sont installés)

Chargeur de batterie

Le chargeur de batterie est situé sous le capot arrière et est connecté directement aux batteries. Le chargeur est commandé par microprocesseur et utilise différentes courbes de chargement pour une performance optimale en fonction des types de batteries.

1. Débrancher le connecteur du câble menant aux batteries.
2. Enlever les capots arrière.
3. Enlever les 4 vis (B) et enlever le chargeur (A).



Disconnect the connector

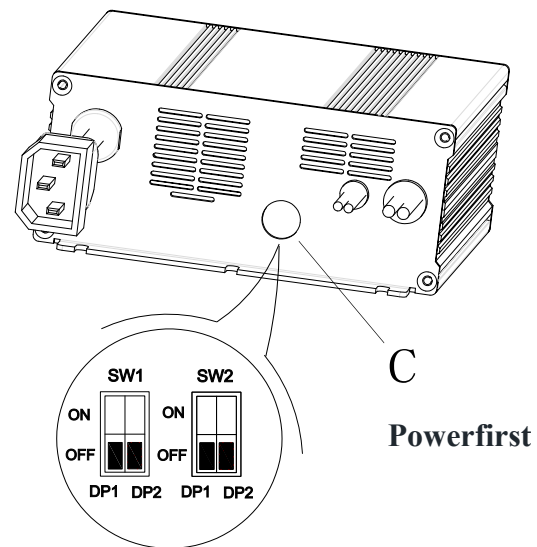
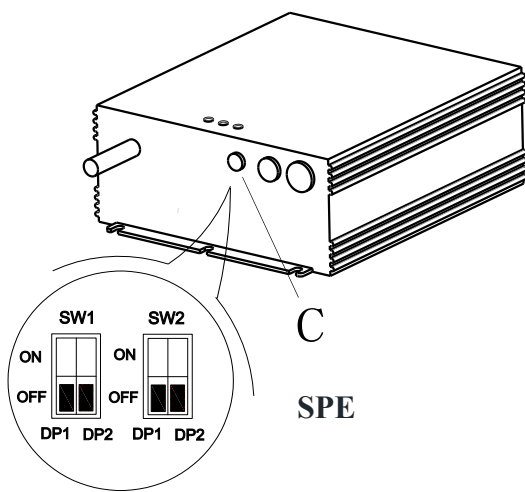
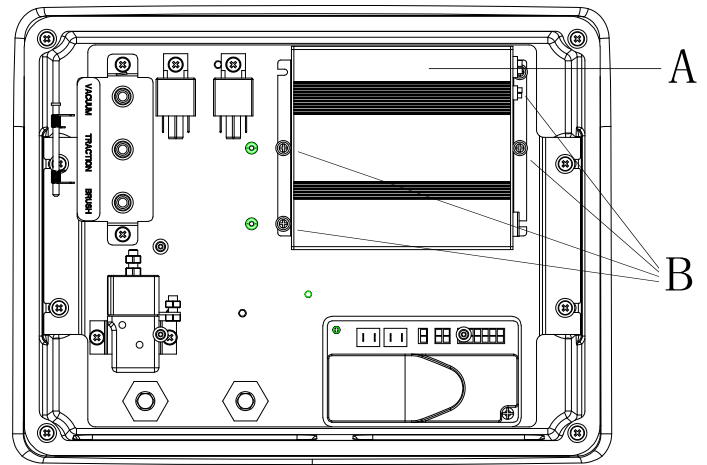
Rear cover

Interrupteurs Dip de type batterie

La fonction du chargeur est contrôlée par 4 interrupteurs Dip (2 paires) dans le capot arrière. Il ne faut jamais toucher aux 2 autres interrupteurs à moins que le chargeur n'ait été remplacé et que leur position demande à être confirmée. Régler alors la tension de la batterie (24V) et l'intensité de courant maximale (10A). Ils doivent toujours être en position d'arrêt.

Les 2 premiers interrupteurs sont accessibles par un bouchon en plastique sans ouvrir le chargeur. Ces interrupteurs règlent le type de courbe de charge utilisé pour chaque type de batterie. Le type de courbe indique la manière et l'amplitude du courant envoyé à la batterie ainsi que son intensité pendant les différentes phases de cycle de charge.

1. Enlever le bouchon en plastique couvrant le trou d'accès (C) à l'interrupteur DIP.
2. Régler les 2 premiers interrupteurs DIP (SW1) selon les données du tableau ci-dessous.
3. Remplacer le bouchon en plastique.



Curve/Battery Type	SW1		SW2	
	D1	D2	D1	D2
IUIa Wet	On	Off		
IUIa Gel Exide	Off	Off	Off	Off
IUoU AGM	Off	On		
IUIa AGM Discover	On	On		

Curve/Battery Type	SW1		SW2	
	D1	D2	D1	D2
IUIa Wet	On	Off		
IUIa Gel Exide	Off	Off	Off	Off
IUIa AGM	Off	On		
IUIa AGM Discover	On	On		

FREINAGE D'URGENCE

En cas d'urgence au cours du fonctionnement de la machine, appuyer sur l'interrupteur d'urgence (A, Figure 5) et toutes les fonctions de la machine cessent, il n'y a pas d'affichage sur le panneau de contrôle (B, Figure 5).

INSTALLATION ET DÉINSTALLATION DE LA BROSSE / DU COUSSINET



REMARQUE

Installer une brosse appropriée (A, Figure 6) ou un coussinet (B et C, Figure 6) selon le type de sol à nettoyer.



ATTENTION

Avant l'installation ou la désinstallation de la brosse ou du coussinet, s'assurer que tous les interrupteurs de la machine sont en position d'arrêt et la raclette est soulevée du sol. L'opérateur doit être doté de dispositifs de protection personnels appropriés tels que des gants, afin de réduire le risque d'accidents. Procéder comme suit:

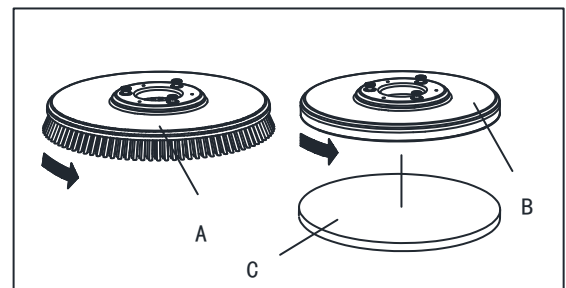


Figure 6

1. Insérer la clé de contact (40) et tourner vers « marche ».
2. Appuyer sur la pédale (6) vers l'avant au pied pour soulever l'ensemble de brosse (11) du sol.
3. Tourner le bouton de réglage de la vitesse (42) dans le sens inverse des aiguilles d'une montre jusqu'au bout.
4. Placer la brosse (A, Figure 5) ou le plateau porte disque (B, Figure 5) pour s'aligner avec l'enclencheur de brosse.
5. Appuyer sur la pédale (6) vers l'arrière au pied pour abaisser l'ensemble de brosse (11). S'asseoir sur le siège, appuyer sur le bouton de la brosse (39) et appuyer légèrement sur la pédale (23), la brosse / le coussinet peut être assemblé automatiquement. Répéter ces étapes jusqu'à ce que la brosse / le coussinet soit installé.
6. Si l'étape 5 de l'installation de la brosse échoue, veuillez installer la brosse et le plateau porte disque manuellement.
7. Appuyer sur la pédale (6) vers l'avant au pied pour soulever l'ensemble de brosse (11) du sol, appuyer sur le bouton d'enlèvement de la brosse (41) pour la désinstaller automatiquement.



ATTENTION !

Tourner le bouton de réglage de la vitesse (42) à la vitesse minimale avant d'appuyer sur la pédale d'accélération (6) afin d'éviter le démarrage trop rapidement de la machine quand elle est démarrée. S'assurer que la brosse / le coussinet est installé correctement avant de faire fonctionner la machine.

AJUSTEMENT DE L'ÉQUILIBRE DE L'EMBOUCHURE

1. Installer la raclette (13) et fixer le bouton pour la raclette (20), puis raccorder le tuyau d'aspiration (19) à la raclette.
2. Régler l'embouchure par la poignée de réglage (A, Figure 7).
 - a) S'il y a un écart entre le sol et la partie centrale de la lamelle arrière de l'embouchure (B), régler le bouton (A) dans le sens contraire des aiguilles d'une montre (F) jusqu'à ce que toute la partie de lamelle arrière de l'embouchure ait un excellent contact avec le sol, la lamelle avant touchant légèrement le sol.
 - b) S'il y a un écart entre le sol et les deux extrémités de la lamelle arrière (C et D), régler le bouton (A) dans le sens des aiguilles d'une montre (E) jusqu'à ce que toute la partie de lamelle arrière ait un excellent contact avec le sol, la lamelle avant touchant légèrement le sol.

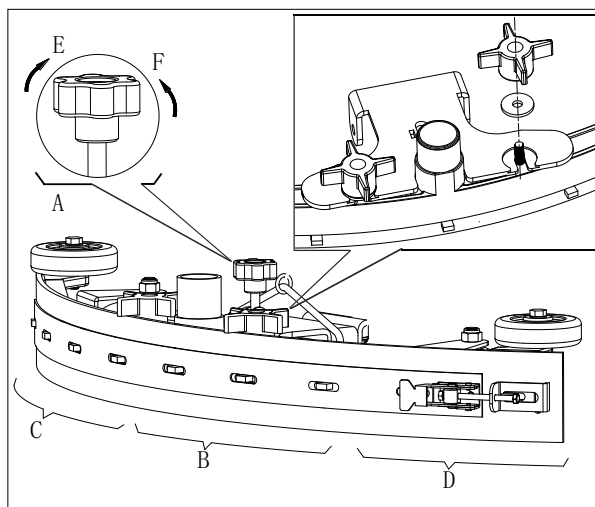


Figure 7

REMPLISSAGE DU RÉSERVOIR DE LA SOLUTION

1. Ouvrir le couvercle d'entrée d'eau (E, Figure 8).
2. Remplir d'eau claire ou de solution en fonction du type d'applications souhaitées. La température de la solution ne doit pas dépasser (+40 °C).
3. Ne pas trop remplir le réservoir, se reporter à l'indicateur de niveau d'eau (G) pour le volume d'eau.



AVERTISSEMENT!

Utiliser uniquement des détergents peu moussants et non-inflammables, qui sont destinés à des applications de nettoyage en autolaveuse.

Inspection du moteur d'entraînement

1. Tourner la clé de contact (A, Figure 9) vers « marche »
2. Appuyer légèrement sur la pédale d'accélération (24) puis arrêter afin de vérifier si la machine peut être dirigée vers l'avant et arrêtée.
3. Pour assurer la sécurité, confirmer si la machine peut être arrêtée immédiatement en appuyant sur le bouton d'urgence (B). Tourner le bouton d'urgence pour le réinitialiser.



ATTENTION

La capacité en pente de la machine ne doit pas dépasser 10 %.



ATTENTION

Le frein du moteur d'entraînement est débloqué lorsque le moteur fonctionne normalement, il se verrouille lorsque le moteur s'arrête.

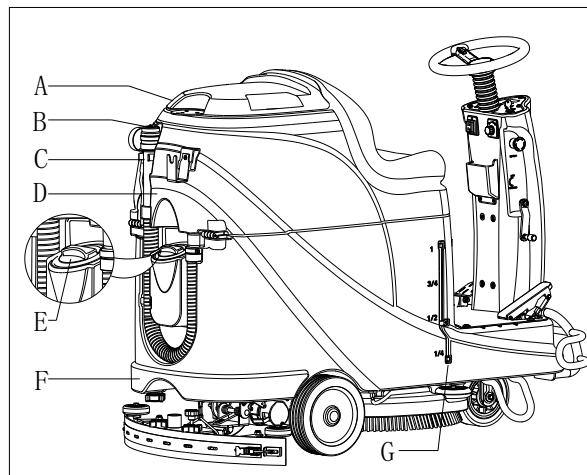


Figure 8

- Frein débloqué-la poignée de frein (D, Figure 9) se trouve au-dessus.
- Frein verrouillé-la poignée de frein se trouve en dessous.
Dans certains cas particuliers, tels que l'emballage / le déballage de la machine, la défaillance de la machine, etc., on doit déplacer la machine sans que le moteur d'entraînement fonctionne, veuillez régler manuellement le frein à l'état débloqué pour la déplacer.
Pour éviter tout risque de sécurité, s'assurer de mettre le frein à l'état verrouillé après le déplacement de la machine.

DÉMARRAGE ET ARRÊT DE LA MACHINE

Démarrage de la machine

1. Préparer la machine comme indiqué au paragraphe précédent.
2. S'asseoir sur le siège (L, Figure 10), insérer la clé de contact (A) et la tourner vers « marche ». Si le voyant vert (C) est allumé, les batteries sont complètement chargées pour utilisation. Si le voyant jaune (E) ou le voyant rouge (D) est allumé, les batteries doivent être chargées avant de faire fonctionner la machine. [Se référer au chapitre ENTRETIEN pour la charge des batteries].
3. Abaisser l'ensemble de raclette au sol.

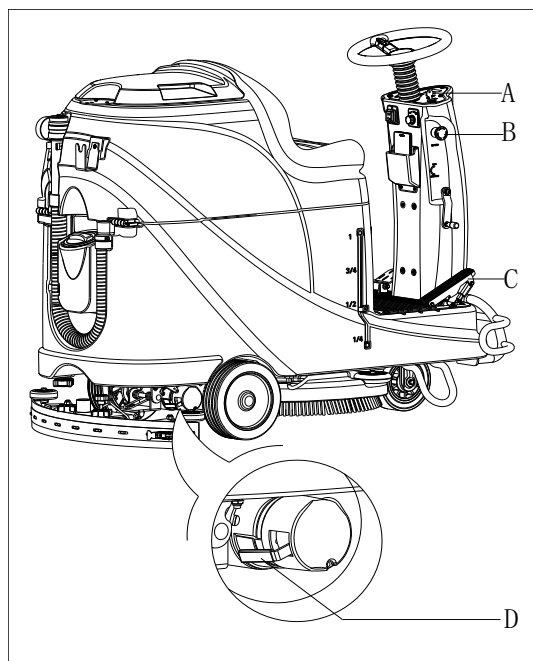


Figure 9

REMARQUE

S'assurer que l'ensemble de raclette est soulevé avant que la machine dirige vers l'arrière, sinon la machine sera arrêtée et l'écran LED affiche « Erreur ».

4. Abaisser l'ensemble de brosse au sol.

REMARQUE

S'assurer de désactiver le bouton de la brosse avant de soulever l'ensemble de brosse et soulever l'ensemble de brosse avant que la machine dirige vers l'avant / l'arrière.

5. Appuyer sur le bouton de la brosse (B)
6. Appuyer sur la pédale d'accélération (R), faire fonctionner la machine vers l'avant ou vers l'arrière par le volant (N) avec l'interrupteur avant-arrière (H), vous pouvez régler la vitesse par le bouton de réglage de la vitesse (I).
7. Régler le débit de solution par le bouton de réglage de la solution (G) selon les besoins de nettoyage.
8. Vous pouvez recharger votre téléphone ou tablette par le port de charge USB (M) lorsque la clé de contact (A) est tournée vers « marche ».
9. Appuyer sur le bouton du klaxon (F) pour avertir les gens en cas de besoin.
10. Si nécessaire, appuyer sur le bouton d'urgence pour l'arrêt d'urgence de la machine.

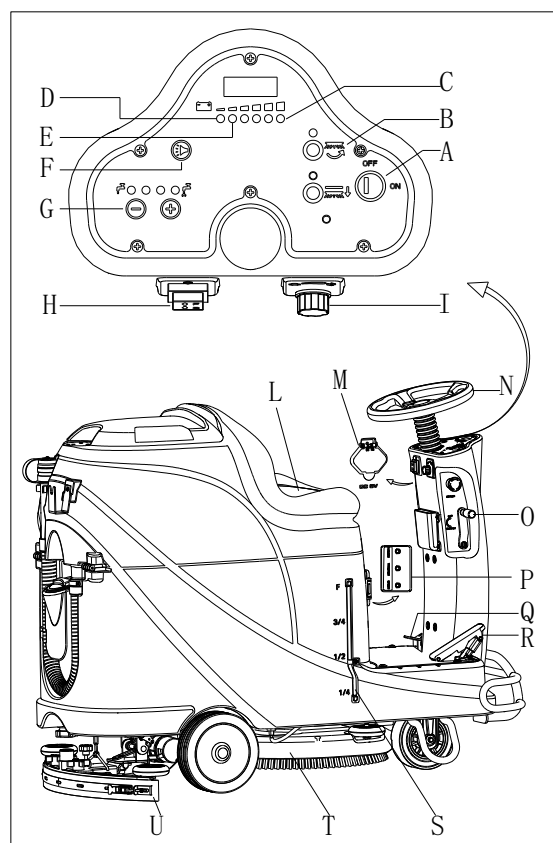


Figure 10

REMARQUE

Le moteur de la brosse, le moteur d'aspiration, le moteur d'entraînement et le circuit de contrôle sont protégés par le protecteur contre la surcharge (P). Lorsque le protecteur contre la surcharge se déclenche, ne pas le réinitialiser immédiatement sans trouver la cause principale et s'assurer que le moteur se refroidit avant la réinitialisation.

Arrêt de la machine

11. Desserrer la pédale d'accélération (R, Figure 10), la machine cesse de fonctionner.
12. Appuyer sur le bouton de la brosse (B) pour arrêter le moteur de la brosse.

13. Soulever l'ensemble de brosse (T) en appuyant sur la pédale (Q).
14. Soulever l'ensemble de raclette (U) par le levier de levage / de descente de la raclette (O) et quelques secondes plus tard le système d'aspiration s'arrête.
15. Tourner la clé de contact vers « arrêt »
16. S'assurer que la machine est arrêtée.

FONCTIONNEMENT DE LA MACHINE (BROSSAGE ET SÉCHAGE)

1. Démarrer la machine selon les procédures prévues aux paragraphes précédents.
2. Commencer le nettoyage en suivant les procédures dans la section « Démarrage de la machine ».
3. Si nécessaire, arrêter la machine pour régler la raclette selon la section « Ajustement de l'équilibre de l'embouchure ».



ATTENTION !

Pour éviter tout dommage à la surface du sol, arrêter la brosse / le support de disque lorsque la machine s'arrête en un seul endroit.



REMARQUE

Pour un brossage / séchage correct du sol aux côtés des murs, nous suggérons d'aller près des murs avec le côté droit (côté de la roue parechoc) de la machine, comme indiqué ci-dessous dans la Figure 11.

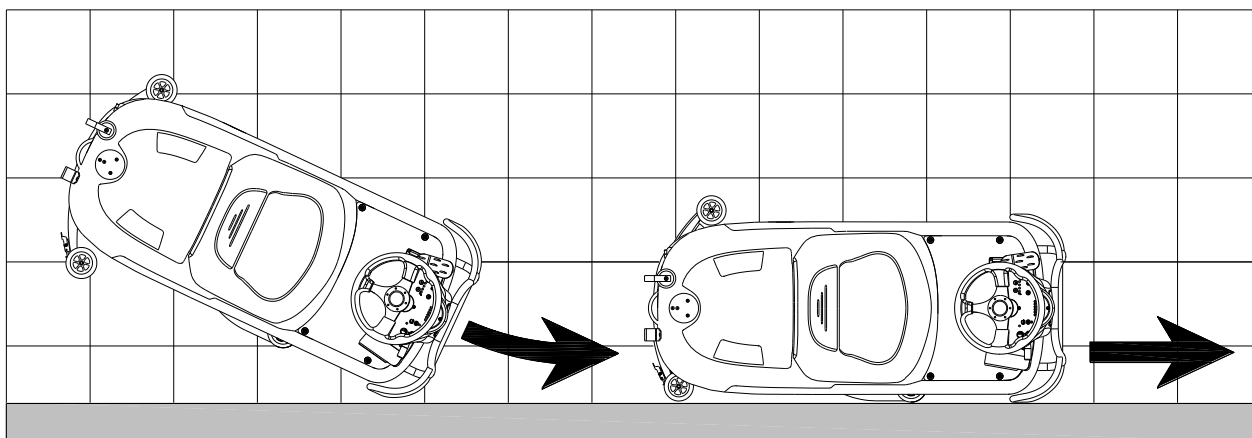


Figure 11

Charge de la batterie pendant le travail

Quand le voyant vert (A, Figure 12) est allumé, les batteries ont assez de puissance pour que la machine fonctionne normalement ; quand tous les voyants verts s'éteignent, le voyant jaune (C, Figure 12) est allumé, la puissance des batteries est trop faible, veuillez charger les batteries ; quand le voyant rouge (B, Figure 12) clignote, les batteries sont épuisées, le moteur d'aspiration et le moteur de la brosse s'arrêtent automatiquement dans un délai de quelques secondes, veuillez conduire immédiatement la machine pour le chargement des batteries.

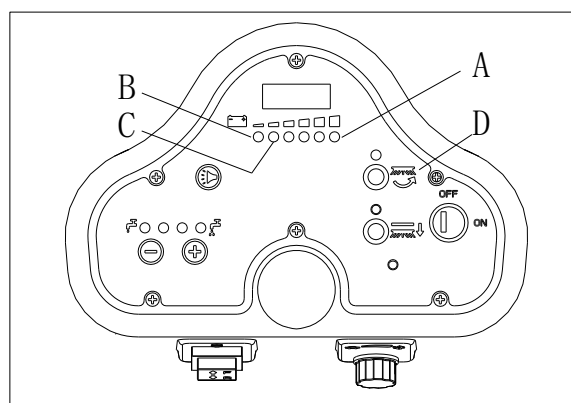


Figure 12



ATTENTION!

Pour éviter d'endommager les batteries et de raccourcir leur durée de vie, ne pas utiliser la machine une fois que les batteries sont déchargées.

VIDANGE DU RÉSERVOIR

Un système automatique de fermeture à flotteur (B, Figure 13) bloque le système d'aspiration lorsque le réservoir d'eau de récupération (C) est plein. La désactivation du système d'aspiration est indiquée par une augmentation soudaine du bruit du moteur d'aspiration, le sol aussi n'est pas sec.



MISE EN GARDE!

Si le système d'aspiration s'éteint accidentellement (par exemple, lorsque le flotteur est activé en raison d'un mouvement soudain de la machine), pour reprendre l'opération: désactiver le système d'aspiration en appuyant sur le commutateur (D, Figure 12), puis retirer le couvercle (A, Figure 11) et vérifier que le flotteur à l'intérieur de la grille (B) a baissé jusqu'au niveau de l'eau. Ensuite, remettre le couvercle (A) et mettre le système d'aspiration en appuyant sur le commutateur (D, Figure 12).

Lorsque le réservoir d'eau de récupération (C, Figure 13) est plein, le vider selon la procédure suivante.

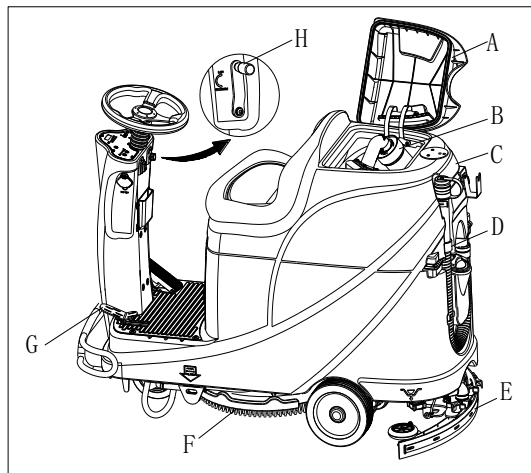


Figure 13

Vider le réservoir d'eau sale

1. Arrêter la machine.
2. Soulever la plate-forme de la brosse/du plateau support disque (H, Figure 12) en appuyant sur la pédale (G).
3. Soulever l'embouchure avec le levier (H).
4. Conduire la machine jusqu'à la zone de vidange désignée.
5. Vider le réservoir d'eau de récupération avec le tuyau (D). Ensuite, rincer le réservoir avec de l'eau propre.



ATTENTION!

Lors de la vidange de l'eau usée, le tuyau de vidange doit être plié (A, Figure 14) et mis à une position basse (B, Figure 14) avant d'ouvrir le couvercle du tuyau de vidange. Ne pas orienter la sortie du tuyau de vidange vers le haut pour drainer l'eau verticalement afin d'éviter le déversement de l'eau usée sur l'opérateur.

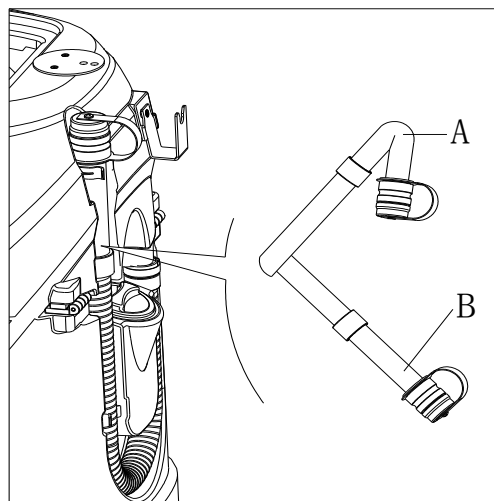


Figure 14

Vidange du réservoir d'eau propre / de solution

6. Effectuer les étapes de 1 à 4 dans le chapitre « Vidange du réservoir d'eau de récupération ».
7. Vider le réservoir de solution par le bouchon de vidange (A, Figure 15). Et puis, rincer le réservoir avec de l'eau propre.

APRÈS UTILISATION DE LA MACHINE

Après avoir travaillé, avant de quitter la machine:

1. Retirer les brosses/les plateaux supports disques.
2. Vider les réservoirs (B et C, Figure 15), comme indiqué dans le paragraphe précédent.
3. Effectuer les procédures d'entretien quotidien (voir le chapitre Maintenance).
4. Ranger la machine dans un endroit propre et sec, avec les brosses/les plateaux supports disques et l'embouchure, soulevés ou retirés.

LONGUE INACTIVITÉ DE LA MACHINE

Si la machine n'est pas utilisée pendant plus de 30 jours, procéder comme suit:

1. Effectuer les procédures indiquées dans le paragraphe « APRÈS UTILISATION DE LA MACHINE ».
2. Déconnecter le connecteur de la batterie (D, Figure 15).

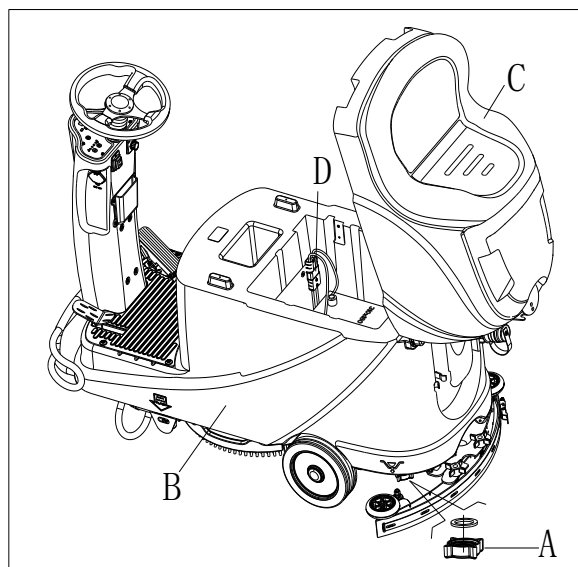


Figure 15

UTILISATION POUR LA PREMIÈRE FOIS

Après neuf heures d'usage pour la première fois de la machine, veuillez vérifier s'il y a tout dommage ou situation anormale, vérifier si les fixations ou les raccords sont desserrés.

ENTRETIEN



ATTENTION!

Les procédures d'entretien doivent être effectuées après que la machine ait été éteinte et le câble du chargeur de batterie ait été débranché. En outre, lire attentivement les chapitres de sécurité dans le Manuel.

Toutes les procédures de maintenance programmées ou extraordinaires doivent être effectuées par un personnel qualifié ou un centre de maintenance agréé. Ce manuel ne décrit que les procédures d'entretien générales. Pour les autres procédures d'entretien qui ne sont pas dans le calendrier d'entretien ci-dessous, veuillez vous référer au manuel d'entretien.

CALENDRIER D'ENTRETIEN PROGRAMME



ATTENTION!

La procédure indiquée avec un (1) doit être effectuée lorsque la machine est utilisée après 9 heures pour la première fois.
La procédure indiquée avec un (2) doit être faite par un centre de maintenance agréé.

Procédure	Quotidien, après chaque utilisation	Hebdomadaire	semestrielle	Annuelle
Charger la batterie				
Nettoyage de l'embouchure				
Nettoyage de la brosse/du disque				
Nettoyage du réservoir				
Inspection de la bande d'étanchéité du réservoir				
Nettoyage du filtre à flotteur				
Vérification et remplacement de l'embouchure				
Nettoyage du filtre à eau				
Nettoyage du filtre d'aspiration				
Vérification du niveau de liquide de la batterie avec entretien				
Inspection de l'étanchéité de la vis et de l'écrou			(1)	
Vérification ou remplacement de la brosse/disque				(2)
Vérification ou remplacement des charbons du moteur de brosse				(2)
Vérification et remplacement des charbons du moteur d'aspiration (uniquement pour machine avec traction)				(2)
Ajouter de l'huile de graissage aux pièces rotatives			(1)	

CHARGEMENT DE BATTERIE



REMARQUE

Veuillez charger les batteries quand le voyant LED jaune (32) ou le voyant LED rouge (33) est allumé, ou à la fin de chaque cycle de travail.



MISE EN GARDE

Toujours garder la batterie dans un état complètement chargé peut prolonger sa durée de vie.



MISE EN GARDE

Veuillez charger la batterie dès que possible si le niveau de la batterie est faible, sinon la durée de vie de la batterie peut être réduite. Il est préférable de vérifier la batterie au moins une fois par semaine.



ATTENTION!

Faire attention lorsque la batterie charge, car de l'acide peut déborder des batteries avec entretien.

L'acide de batterie est corrosif, s'il vient accidentellement en contact avec la peau ou les yeux, laver immédiatement et abondamment avec de l'eau propre et aller voir un médecin.

Les étapes de préparation pour charger les batteries

1. Ouvrir le couvercle du réservoir de récupération (B, Figure 16) pour vérifier si le réservoir de récupération (C) est vide, ou vider le réservoir de récupération par le tuyau de vidange (A).
2. Conduire la machine dans le local de charge désigné.
3. Tourner la clé de contact vers « arrêt ».
4. Cette étape est uniquement pour les batteries AVEC ENTRETIEN:
 - Nettoyer la surface de la batterie si nécessaire.
 - Vérifier le niveau d'électrolyte des éléments de batteries (D), le cas échéant, ouvrir le couvercle pour remplir complètement de l'électrolyte et puis remettre le couvercle.
 - Garder le couvercle ouvert pendant la charge.
5. Sélectionner l'un des modes de charge ci-dessous selon le type de chargeur sélectionné.

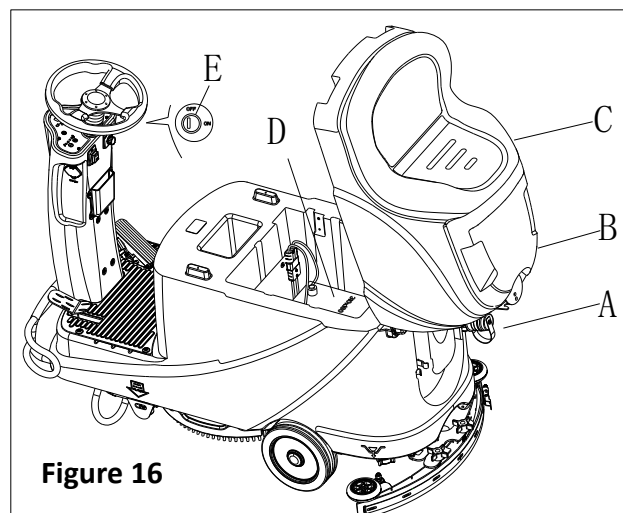


Figure 16

Utiliser le chargeur embarqué pour charger la batterie

6. Connecter le câble du chargeur de batterie (A, Figure 17) au réseau électrique (G) et puis toutes les fonctions de la machine, sauf la charge, sont coupées automatiquement. Le voyant LED rouge (B) allumé indique normalement que la machine est en cours de charge.
7. Les batteries sont complètement chargées lorsque le voyant LED vert (C) s'allume.
8. Déconnecter le câble du chargeur de batterie du réseau électrique après la charge complète et puis stocker le câble du chargeur de batterie dans le bac de stockage (D).

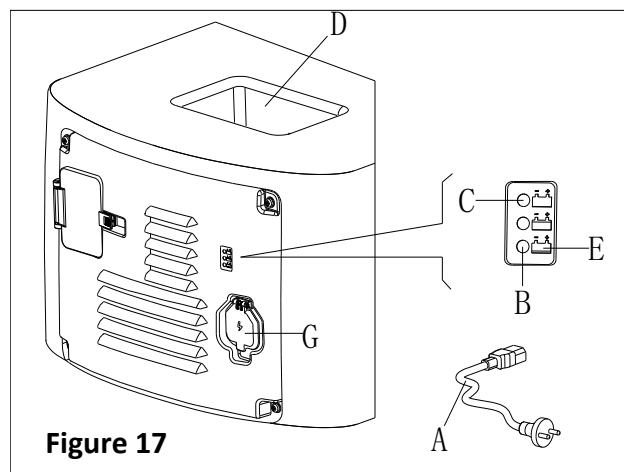


Figure 17



REMARQUE

Pour plus d'informations sur le chargeur embarqué (E, Figure 17), veuillez se référer au manuel correspondant du centre de service.

NETTOYAGE DE LA BROSSE/DU DISQUE



MISE EN GARDE!

Il est recommandé de porter des gants lors du nettoyage de la brosse ou du support de disque puisqu'il peut contenir des fragments pointus.

1. Retirer la brosse / support de disque, en se basant sur les procédures dans les sections précédentes.
2. Nettoyer la brosse/le support de disque avec de l'eau et du détergent.
3. Vérifier les conditions d'intégrité et d'abrasion des poils de la brosse, si nécessaire, remplacer la brosse.
4. Vérifier la qualité d'abrasion du disque de nettoyage, si nécessaire le retourner ou le remplacer.

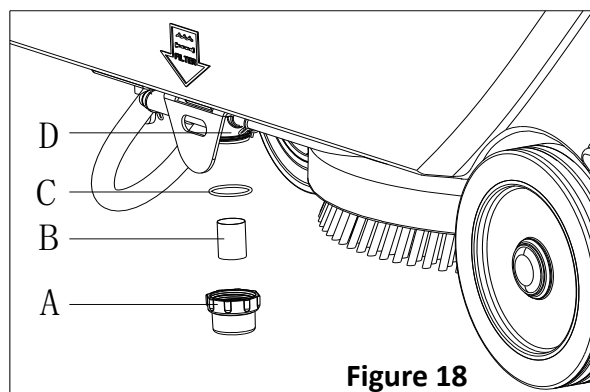


Figure 18

NETTOYAGE DU FILTRE DE SOLUTION

1. Conduire la machine sur le sol plat.
2. S'assurer que la machine est arrêtée.
3. Vider le réservoir de solution (étape optionnelle).
4. Enlever le couvercle du filtre de solution (A, Figure 18) pour nettoyer le tamis du filtre (B) et puis les fixer de nouveau au support du filtre (D).



REMARQUE

Le tamis du filtre (B) doit être correctement positionné au boîtier du support du filtre (D).

NETTOYAGE DE L'EMBOUCHURE



REMARQUE

L'embouchure doit être propre et ses lamelles doivent être en bon état afin d'obtenir un bon séchage.



MISE EN GARDE

Il est conseillé de porter des gants de protection lors du nettoyage de l'embouchure, car il peut y avoir des débris pointus.

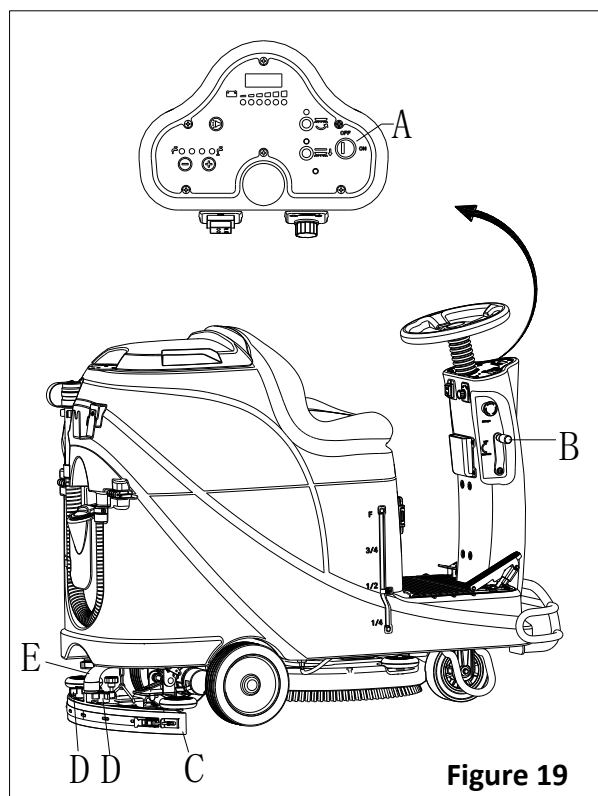


Figure 19

1. Conduire la machine sur un sol plat.
2. Tourner la clé de contact (A, Figure 19) vers « arrêt ».
3. Abaisser la raclette (B) à l'aide du levier (C).
4. Desserrer les boutons (D) et retirer la raclette.
5. Déconnecter le tuyau d'aspiration (E) de la raclette.
6. Nettoyer la raclette en acier ou aluminium, en particulier les compartiments (A, Figure 20) et les trous (B). Vérifier l'intégrité, s'il y a des coupures et des déchirures de la lame avant (B) et de la lame arrière (C), le cas échéant, les remplacer selon les procédures décrites dans le paragraphe suivant.
7. Assembler la raclette dans l'ordre inverse du démontage.

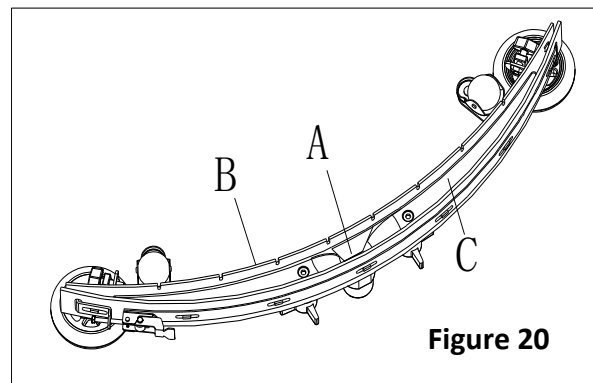


Figure 20

VÉRIFICATION ET REMPLACEMENT DE LA LAMELLE DE L'EMBOUCHURE

1. Nettoyer l'embouchure en acier ou en aluminium, comme indiqué dans le paragraphe précédent.
2. Vérifier que les bords (E, Figure 21) de la lamelle avant (C) et les bords (F) de la lamelle arrière (D) reposent sur un même niveau, sur toute leur longueur; si nécessaire ajuster leur hauteur selon la procédure suivante:
 - Retirer la tige de traction (G), dégager les éléments de fixation (M) et régler la lamelle arrière (D), puis engager les fixations (M) et installer la tige de traction (G).
 - Desserrer les boutons (I) et régler la lamelle avant (C), puis serrer les boutons.
3. Vérifier l'usure de la lamelle avant (C) et de la lamelle arrière (D); si nécessaire les remplacer. Vérifier que le coin avant (J) de la lamelle arrière (D) ne soit pas usé; si nécessaire, retourner la lamelle pour remplacer le coin usé avec un autre coin. Si les autres coins sont usés, remplacer aussi la lamelle selon la procédure suivante:
 - Retirer la tige de traction (G), dégager les éléments de fixation (M) et retirer la barrette de retenue (K), puis remplacer/retourner la lame arrière (D). Monter l'embouchure dans l'ordre inverse du démontage.
 - Dévisser les boutons (I) et retirer la barrette de retenue (L), puis remplacer la lamelle avant (C). Monter l'embouchure dans l'ordre inverse du démontage. Après le remplacement de la lamelle (ou retournement), ajuster la hauteur, comme indiqué dans l'étape précédente.
4. Connecter le tuyau d'aspiration (A, Figure 22) à l'embouchure.
5. Installer l'embouchure (B) et visser les boutons (C).
6. Si nécessaire, régler le bouton de réglage de l'équilibre de l'embouchure (D).

NETTOYAGE DU RÉSERVOIR ET DE LA GRILLE D'ASPIRATION AVEC LE FLOTTEUR, VÉRIFICATION DU JOINT DE COUVERCLE

1. Conduire la machine sur un sol nivelé.
2. Faire en sorte que la machine soit éteinte et que la clé de contact (40) soit retirée.
3. Basculer le couvercle du réservoir de récupération (A, Figure 23) position -90 degrés où il peut être retiré du réservoir, puis enlever le filtre à flotteur (P) du réservoir.
4. Nettoyer le couvercle du réservoir récupération (A), le réservoir de récupération (B), le réservoir d'eau propre (C) et le cadre de support du filtre à flotteur (E). Vider le réservoir de récupération avec le tuyau de vidange (15).
5. Si nécessaire, suivre les symboles "OPEN" et "CLOSE" comme indiqué sur la Figure 23 pour ouvrir le couvercle bas (F) du filtre à flotteur, puis nettoyer le filtre à flotteur (D), le cadre de support du filtre (E) et l'éponge du filtre (I). Après le nettoyage, fixer le filtre à flotteur (D) sur le cadre de support du filtre (E) puis aligner la rainure de marque (L) du capuchon de fond (F) du filtre à flotteur avec la rainure de marque (L) du cadre de support du filtre à flotteur (E). Visser fermement le capuchon de fond du filtre à flotteur, et fixer l'éponge du filtre (I) sur le cadre de support du filtre à flotteur (E). Enfin, le connecter au tuyau d'aspiration des eaux usées (M).
6. Inspecter l'état de la bande d'étanchéité du réservoir.

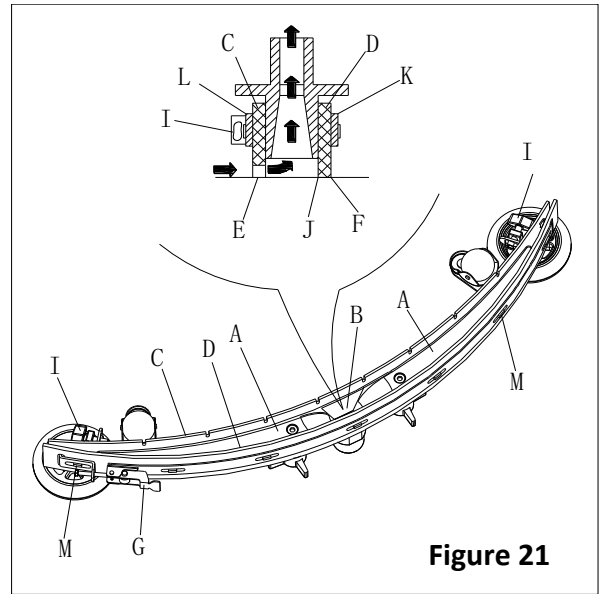


Figure 21



REMARQUE

La bande d'étanchéité du réservoir (G) permet de produire le vide à l'intérieur du réservoir lorsque le moteur d'aspiration fonctionne. Le réservoir doit être scellé, pour pouvoir effectivement aspirer l'eau du sol vers le réservoir de récupération.

7. Vérifier si la surface de contact de la bande d'étanchéité (G) a une étanchéité suffisante. Si nécessaire, sortir la bande d'étanchéité du réservoir de la rainure (H) et la remplacer. Assembler la nouvelle bande d'étanchéité comme indiqué sur la Figure 23, le joint devant être ramené dans la zone médiane.
8. Fermer le couvercle du réservoir de récupération (A).

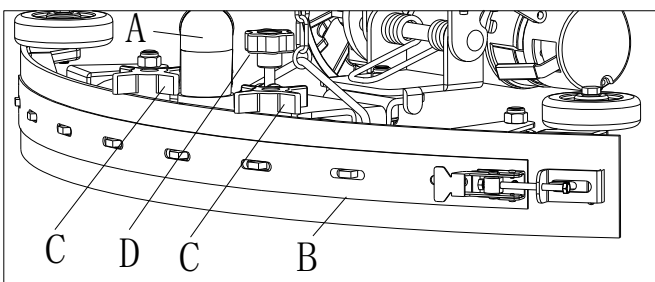


Figure 22

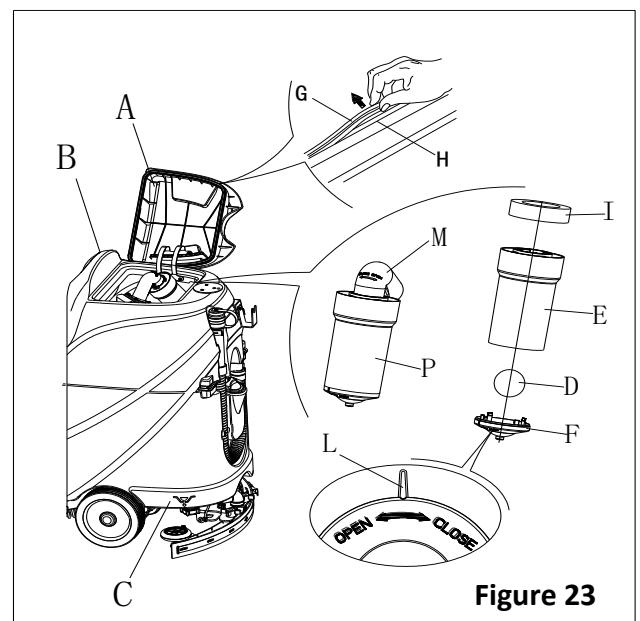


Figure 23

VÉRIFICATION / REMPLACEMENT DU FUSIBLE

1. Tourner la clé de contact (D, Figure 24) vers « arrêt ».
2. Déconnecter le câble de connexion de la batterie.
3. Dévisser les vis (C) sur le panneau de contrôle et puis tourner le PCBA pour trouver le fusible (A et B).
4. Vérification / remplacement des fusibles:
 - A) F1 est le fusible du circuit à faible puissance (5A)
 - B) F3 est le fusible de démontage de la brosse (20A)
5. Après avoir effectué la vérification / le remplacement, réassembler dans l'ordre inverse du démontage.
6. Vérifier ou réinitialiser le protecteur contre la surcharge du moteur.
 - E) F5 est le protecteur contre la surcharge du moteur d'aspiration (30A)
 - F) F4 est le protecteur contre la surcharge du moteur d'entraînement (30A)
 - G) F2 est le protecteur contra la surcharge du moteur de la brosse (30A)

ACCESSOIRES/OPTIONS

En plus des composants standards, la machine peut être équipée des accessoires/options suivants, selon l'utilisation spécifique de la machine.

Pour de plus amples informations concernant les accessoires optionnels mentionnés ci-dessus, contacter un distributeur agréé.

Accessoires/Options

Voir la section "Liste des pièces"

1. Batteries GEL/AGM
2. Disques de différents matériaux

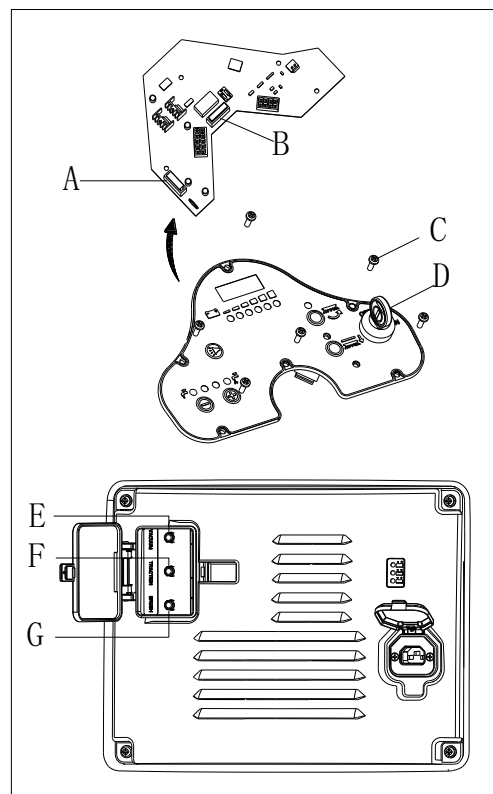


Figure 24

DÉPANNAGE

Problème	Causes probables	Solution
Les moteurs ne fonctionnent pas ; aucun voyant d'avertissement ne s'allume (C9)	Le connecteur de la batterie est déconnecté	Connecter le connecteur de la batterie
	Les batteries sont complètement déchargées	Charger les batteries
La machine ne fonctionne pas, le voyant rouge d'avertissement de capacité de la batterie s'allume (C8)	Le niveau des batteries est trop faible	Charger les batteries
La machine ne marche pas vers l'avant / l'arrière	Défaillance de la carte de circuit de contrôle	Remplacer la carte de circuit de contrôle
	Défaillance du contrôleur du moteur d'entraînement	Se référer à « INFORMATIONS DU VOYANT D'ERREUR DU MOTEUR D'ENTRAÎNEMENT »
	L'opérateur n'est pas sur le siège	Asseyez-vous sur le siège
	La raclette n'est pas soulevée pendant la marche en arrière de la machine	Soulever la raclette
Le moteur de la brosse ne fonctionne pas	Défaillance de la carte de circuit de contrôle	Remplacer la carte de circuit de contrôle
	Surcharge du moteur de la brosse	Utiliser une brosse à poils doux qui est adéquate pour le nettoyage et réinitialiser le protecteur contre la surcharge du moteur de la brosse
	Défaillance du contacteur du moteur de la brosse	Contacter le service après-vente
	Usure de la brosse de carbone du moteur de la brosse	Contacter le service après-vente
	Les obstacles empêchent la rotation de la brosse	Nettoyer la brosse

Le moteur d'entraînement ne fonctionne pas	Le voyant de problème du moteur d'entraînement s'allume	Se référer à « INFORMATIONS DU VOYANT D'ERREUR DU MOTEUR D'ENTRAÎNEMENT »
	Surcharge du moteur d'entraînement	Réinitialiser le protecteur contre la surcharge du moteur d'entraînement et vérifier le moteur d'entraînement / le circuit
Le moteur d'aspiration ne fonctionne pas	Surcharge du moteur d'aspiration	Réinitialiser le protecteur contre la surcharge du moteur d'aspiration et vérifier le moteur d'aspiration
	Relais de défaillance du moteur d'aspiration	Contacteur le service après-vente
	Défaillance du panneau de contrôle	Remplacer le panneau de contrôle
Aspiration insuffisante, le sol ne peut pas être séché	Le réservoir de récupération est plein	Vider le réservoir de récupération
	Mauvaise connexion du tuyau de vidange et de la raclette	Connecter correctement le tuyau de vidange et la raclette
	Blocage du filtre à flotteur	Nettoyer le filtre à flotteur et vérifier l'état de la position du flotteur
	Raclette est sale ou usée	Vérifier et nettoyer la raclette
	Le couvercle du réservoir de récupération est mal fermé ou le joint est endommagé, ou le tube Bend est bouché	Fermer le couvercle correctement, ou remplacer le joint ou nettoyer le tube Bend.
	Le réservoir de récupération est sale	Nettoyer le réservoir de récupération
Alimentation en solution insuffisante à la plaque de brosse	Le filtre de solution est sale	Nettoyer le filtre
	Le voyant de vide du réservoir de solution est allumé	Remplir le réservoir de solution
	Le réservoir de solution est trop sale	Nettoyer le réservoir de solution
La raclette laisse des rayures sur le sol	Il y a des débris sous la lame de la raclette	Retirer les débris
	La lame de la raclette est usée, fissurée, vieillie	Remplacer les lames de la raclette
	L'équilibre de la raclette n'est pas réglé	Régler l'équilibre de la raclette
Défaillance du frein du moteur d'entraînement	Le frein est verrouillé	Débloquer le frein

INFORMATIONS DU VOYANT D'ERREUR DU MOTEUR D'ENTRAÎNEMENT

CODES LED		DÉFAILLANCE	CAUSE POSSIBLE
1.1	○○	DÉFAILLANCE THERMIQUE	<ol style="list-style-type: none"> 1. Température > 80°C ou < -10°C. 2. Charge excessive sur le véhicule. 3. Utilisation dans des environnements extrêmes. 4. Frein électromagnétique ne libère pas.
1.2	○○○	DÉFAILLANCE DE L'ACCÉLÉRATEUR	<ol style="list-style-type: none"> 1. Fil d'entrée de l'accélérateur est ouvert ou court-circuité. 2. Potentiomètre de l'accélérateur est défectueux. 3. Mauvais type d'accélérateur sélectionné.
1.3	○○○○	Défaillance du potentiomètre de vitesse	<ol style="list-style-type: none"> 1. Fil (s) du potentiomètre de vitesse fil est (sont) cassé (s) ou court-circuité (s). 2. Potentiomètre de vitesse est brisé.
1.4	○○○○○	DÉFAUT DE SOUS-TENSION	<ol style="list-style-type: none"> 1. Tension de la batterie < 17 volts. 2. Mauvaise connexion à la batterie ou au contrôleur.
1.5	○○○○○○	DÉFAUT DE SURTENSION	<ol style="list-style-type: none"> 1. Tension de la batterie > 31 volts. 2. Véhicule fonctionne avec le chargeur connecté. 3. Connexion intermittente de la batterie.
2.1	○○○	DÉFAUT PRINCIPAL D'ARRÊT	<ol style="list-style-type: none"> 1. Échec d'ouverture du contacteur principal.

2.3	□□□□□□	DÉFAUT PRINCIPAL *	1. Contacteur principal soudé ou bloqué en position ouverte. 2. Défaut du contacteur principal.
2.4	□□□□□□	DÉFAUT PRINCIPAL DE MARCHE	1. Échec de fermeture du contacteur principal.
3.1	□□□□	DÉFAUT DE CÂBLAGE *	1. Mauvais réglage de l'accélérateur. 2. Potentiomètre de l'accélérateur ou mécanisme d'accélération brisé.
3.2	□□□□□	DÉFAUT D'OUVERTURE DE FREIN	1. Entraînement de frein électromagnétique est court-circuité. 2. Bobine de frein électromagnétique est ouverte.
3.3	□□□□□□	DÉFAUT DE PRÉCHARGE *	1. Entraînement de frein est court-circuité. 2. Circuit de pré-charge endommagé. 3. Défaillance MOSFET.
3.4	□□□□□□□	DEFAULT DE FERMETURE DE FREIN	1. Entraînement de frein électromagnétique est ouvert. 2. Bobine de frein électromagnétique est court-circuitée.
3.5	□□□□□□□□	DÉFAUT HPD	1. Séquence incorrecte de l'accélérateur et KSI, pousse ou inhibe les entrées. 2. Mauvais réglage du potentiomètre de l'accélérateur.
4.1	□□□□□	DÉFAUT DU SENS DE COURANT *	1. Court-circuit dans le moteur ou dans le câblage du moteur. 2. Défaillance du régulateur.
4.2	□□□□□□	DÉFAUT DE SÉCURITÉ DU MATÉRIEL *	1. Tension du moteur ne correspond pas à la demande de l'accélérateur. 2. Court-circuit dans le moteur ou dans le câblage du moteur. 3. Défaillance du régulateur.
4.3	□□□□□□□	DÉFAUT DE LA SOMME DE CONTRÔLE EEPROM †	1. Défaillance ou défaut EEPROM.
4.5	□□□□□□□□□	DÉFAUT DE DÉCONNEXION DE LA BATTERIE *	1. La batterie n'est pas connectée. 2. Mauvaise connexion aux terminaux de la batterie.

* = On doit commuter l'interrupteur de clés pour effacer.

† = On doit utiliser le programmeur pour effacer, comme suit : sélectionner le menu Programme, modifier la valeur des données d'un paramètre, commuter l'interrupteur de clés.



REMARQUE

La machine qui est équipée d'un chargeur embarqué ne sera pas exploitée lorsqu'il y a un mauvais fonctionnement du chargeur embarqué, veuillez contacter notre centre d'entretien pour aide.

RECYCLAGE

Effectuer le recyclage de votre machine par un centre agréé.

Avant que la machine ne soit détruite, veuillez à respecter la réglementation en vigueur pour les différents éléments qui la constituent.

- Batterie
- Brosse/plateau support disque
- Tuyau en plastique et pièces en plastique
- Composants électriques et électroniques (*)

(*) Veuillez contacter notre centre de service pour détruire tout composant électrique et électronique.

TABLA DE CONTENIDOS

INTRODUCCIÓN.....	45
CONTENIDO Y OBJETIVO DEL MANUAL	45
CÓMO GUARDAR ESTE MANUAL	45
DECLARACIÓN DE CONFORMIDAD	45
ACCESORIOS Y MANTENIMIENTO.....	45
CAMBIOS Y MEJORAS	45
ÁMBITO DE APLICACIÓN.....	45
DATOS DE IDENTIFICACIÓN DE LA MÁQUINA.....	45
TRANSPORTE Y DESEMBALAJE.....	45
SEGURIDAD.....	46
SÍMBOLOS QUE APARECEN EN EL MANUAL DE INSTRUCCIONES PARA EL USO.....	46
INSTRUCCIONES GENERALES DE SEGURIDAD.....	46
DESCRIPCIÓN DE LA MÁQUINA.....	48
CONSTRUCCIÓN DE LA MÁQUINA	48
PANEL DE CONTROL.....	49
INFORMACIÓN MOSTRADA EN PANTALLA LED	49
VENTANA DE VISUALIZACIÓN DEL INDICADOR LUMINOSO DEL CARGADOR	49
PARÁMETROS TÉCNICOS	50
DIAGRAMA DE CIRCUITO	51
GUÍA PARA EL MANEJO	53
INSTALACIÓN Y CONFIGURACIÓN DE LA BATERÍA EN UNA MÁQUINA NUEVA.....	53
INSTALACIÓN DE LA BATERÍA Y CONFIGURACIÓN DEL TIPO DE BATERÍA (HÚMEDA O DE GEL/AGM)	53
FRENO DE EMERGENCIA	55
INSTALACIÓN Y DESINSTALACIÓN DEL CEPILLO/ALMOHADILLA	55
AJUSTAR EL BALANCE DE LA BOQUILLA DE ASPIRACIÓN.....	56
SOLUCIÓN DE RELLENO DEL DEPÓSITO	56
INICIO Y PARADA DE LA MÁQUINA.....	57
CONDUCCIÓN DE LA MÁQUINA (FROTAR Y SECAR)	58
VACIAR LOS DEPÓSITOS.....	59
DESPUÉS DE USAR LA MÁQUINA	59
INACTIVIDAD PROLONGADA DE LA MÁQUINA.....	59
PRIMER USO	60
MANTENIMIENTO	60
TABLA DE MANTENIMIENTO PROGRAMADO	60
CARGAR LA BATERÍA	60
LIMPIAR EL CEPILLO/DISCOS.....	61
LIMPIEZA DEL FILTRO DE SOLUCIÓN	62
LIMPIEZA DE LOS LABIOS	62
INSPECCIÓN Y CAMBIO DE LAS LÁMINAS DE LA BOQUILLA DE ASPIRACIÓN	62
REJILLA DEL DEPÓSITO Y DE LA ASPIRACIÓN CON LIMPIEZA DEL FLOTADOR E INSPECCIÓN DE LA JUNTA DE LA TAPA	63
REVISIÓN DE FUSIBLE/REEMPLAZO	64
ACCESORIOS/OPCIONES	64
RESOLUCIÓN DE PROBLEMAS.....	64
DESGUACE	66

INTRODUCCIÓN



NOTA

Los números entre paréntesis hacen referencia a los componentes que se muestran en la sección Descripción de la Máquina.

CONTENIDO Y OBJETIVO DEL MANUAL

Este Manual de Instrucciones para el uso tiene por objeto proporcionar al operador con toda la información necesaria para usar la máquina de manera adecuada y segura. Contiene información sobre los datos técnicos, seguridad, manejo, almacenamiento, mantenimiento, piezas de repuesto y desecho.

Antes de efectuar cualquier procedimiento con la máquina, los operadores y técnicos calificados deben leer este Manual atentamente. Póngase en contacto con uno de nuestros centros de servicio en caso de cualquier duda acerca de este manual o si se necesita más información.

Los operadores no deben realizar los procedimientos que están a cargo de los técnicos calificados. Nuestra empresa no se responsabilizará por daños provenientes del incumplimiento de esta prohibición.

CÓMO GUARDAR ESTE MANUAL

El Manual debe mantenerse cerca de la máquina, en el interior de una funda adecuada, lejos de líquidos y otras sustancias que puedan ocasionar daños en la misma.

DECLARACIÓN DE CONFORMIDAD

La Declaración de conformidad se suministra con la máquina y certifica la conformidad de la máquina con la ley vigente.



NOTA

Las copias de la declaración de conformidad original se proporcionan junto con la documentación de la máquina.

ACCESORIOS Y MANTENIMIENTO

Todos los procedimientos de operación, mantenimiento y reparación necesarios deben ser realizados por personal cualificado o por los centros de servicio designados de nuestra empresa. SOLO se permite el uso de accesorios y piezas de repuesto originales.

Póngase en contacto con el servicio de atención al cliente de nuestra empresa por cualquier servicio o compra de accesorios o piezas de repuesto según necesario.

CAMBIOS Y MEJORAS

Estamos comprometidos con la mejora continua de nuestros productos, por lo que la compañía se reserva el derecho de aportar cambios y mejoras al producto sin aviso adicional.

ÁMBITO DE APLICACIÓN

La fregadora está destinada al uso comercial e industrial. Es apropiada para la limpieza de suelos duros y lisos, cuando es operada por personal cualificado en las circunstancias de seguridad. No es apta para el uso al aire libre o para la limpieza de alfombras o suelos ásperos.

DATOS DE IDENTIFICACIÓN DE LA MÁQUINA

El número de serie y el modelo de la máquina aparecen marcados en la etiqueta de serie.

Esta información es útil. Utilice la siguiente tabla para anotar los datos de identificación de la máquina a la hora de comprar piezas de repuesto para la máquina.

MODELO DE LA MÁQUINA.....
NÚMERO DE SERIE DE LA MÁQUINA.....

TRANSPORTE Y DESEMBALAJE

Cuando el transportista entrega la máquina, asegúrese de que el embalaje y la máquina se encuentran enteros y sin daños. En caso de cualquier daño, avise el transportista sobre el daño y, antes de aceptar las mercancías, resérvese el derecho a ser indemnizado por el daño.

Al desembalar la máquina siga estrictamente las instrucciones en el embalaje.

Compruebe el paquete y asegúrese de que los siguientes artículos están incluidos:

1. Documentación técnica, y cargador manual a bordo si el cargador a bordo está equipado.
2. Cable cargador si el cargador a bordo está equipado.

SEGURIDAD

Los siguientes símbolos indican situaciones potencialmente peligrosas. Siempre lea atentamente esta información y tome todas las precauciones necesarias para salvaguardar a las personas y las propiedades.

SÍMBOLOS QUE APARECEN EN EL MANUAL DE INSTRUCCIONES PARA EL USO



¡PELIGRO!

Indica una situación peligrosa con riesgo de muerte para el operador.



¡ADVERTENCIA!

Indica un riesgo potencial de lesiones a las personas.



¡PRECAUCIÓN!

Indica una advertencia o una observación relacionada con funciones importantes o útiles. Preste atención a los párrafos marcados con este símbolo.



NOTA

Indica una observación relacionada con funciones importantes o útiles.



CONSULTA

Indica la necesidad de consultar el manual de instrucciones de uso antes de realizar cualquier procedimiento.

INSTRUCCIONES GENERALES DE SEGURIDAD

Advertencias y precauciones específicas para informar acerca de los posibles daños a las personas y a la máquina se muestran a continuación.



¡PELIGRO!

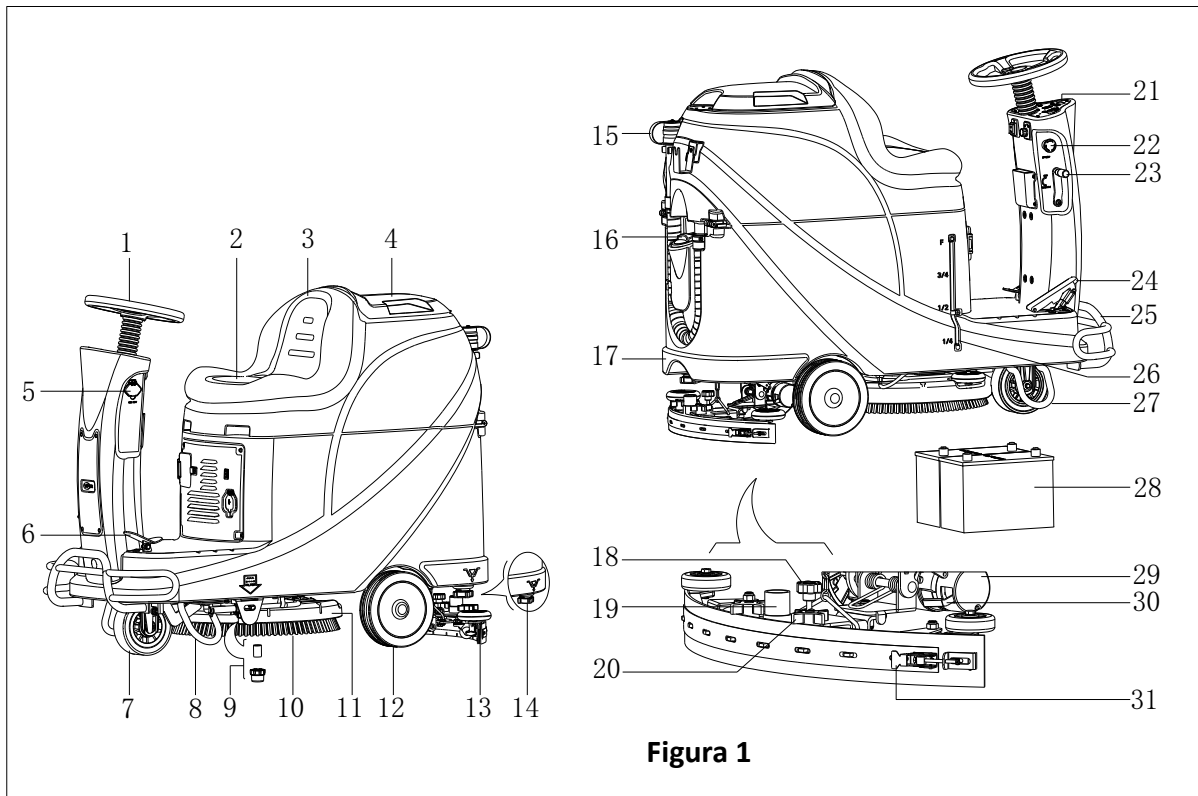
- Esta máquina debe ser operado por personal capacitado y autorizado de acuerdo con las directrices del manual.
- Antes de realizar cualquier procedimiento de limpieza, mantenimiento, reparación o sustitución, lea todas las instrucciones con cuidado, asegúrese de apagar la máquina y desconectar el conector de la batería.
- No utilice la máquina cerca de polvos, líquidos o vapores tóxicos, peligrosos, inflamables y/o explosivos. Esta máquina no es adecuada para la recogida de polvos peligrosos.
- No use joyas cuando trabaja cerca de componentes eléctricos.
- No opere debajo de la máquina levantada sin apoyarla con soportes de seguridad.
- Cuando se usan baterías de plomo (WET), en condiciones de uso normales estas pueden emitir gases inflamables por lo que hay que mantener las chispas, llamas, materiales humeantes y radiantes, objetos iluminadores y ardientes lejos de las baterías.
- Durante la carga las baterías de plomo (WET) pueden emitir gas hidrógeno que es explosivo. Asegúrese de que el entorno de la carga está bien ventilado y lejos de llamas descubiertas.



¡ADVERTENCIA!

- Revise cuidadosamente la máquina antes de cada uso. Asegúrese de que todos los componentes se encuentran montados seguramente antes de su uso. En el caso contrario podrían producirse daños a las personas y a las propiedades.

- Antes de utilizar el cargador de baterías, asegúrese de que los valores de frecuencia y voltaje indicados en la etiqueta del número de serie de la máquina coinciden con los de la red eléctrica.
- Nunca mueva la máquina tirando del cable del cargador de la batería. No pase el cable a través de puertas cerradas o enrollarse en bordes o esquinas afiladas. No conduzca la máquina sobre el cable del cargador de la batería. Mantenga el cable del cargador de la batería lejos de superficies calientes.
No cargue las baterías si el cable o el enchufe del cargador de la batería están dañados.
- Para reducir el riesgo de incendio, descargas eléctricas o lesiones, asegúrese de que la máquina está apagada antes de salir.
- Utilice o guarde la máquina en interiores en condiciones secas, no está permitido usarla al aire libre.
- La temperatura tanto de almacenamiento como de funcionamiento de la máquina debe ser entre 0 °C y +40 °C, la humedad del aire debe oscilar entre 30% - 95%.
- No utilice la máquina en pendientes con un grado de inclinación superior al que indica la especificación.
- Durante el uso y manipulación de detergentes de limpieza de suelos, siga las instrucciones en las etiquetas de las botellas de detergente y use guantes y protección adecuada.
- Utilice cepillos y discos suministrados con la máquina o definidos en el manual. El uso de otros cepillos o discos podría reducir la seguridad.
- En caso de mal funcionamiento de la máquina, asegúrese de que la causa no es la falta de mantenimiento. Si hace falta, solicite la asistencia del personal autorizado o se un Centro de Servicio autorizado.
- Tome todas las medidas de precaución para evitar que el cabello, joyas o ropa suelta queden atrapados entre las partes móviles de la máquina.
- No utilice la máquina en áreas excesivamente sucias.
No lave la máquina con chorros directos o presurizados de agua, o con sustancias corrosivas.
- No choque contra estanterías o andamios, sobre todo cuando existe el riesgo de caída de objetos.
- No se apoye recipientes de líquido en la máquina, utilice el posavasos correspondiente.
- Para evitar daños en el suelo, no permita que el cepillo/almojadilla operar mientras la máquina está parada.
- En caso de incendio, use un extintor de polvo seco. No utilice extintores líquidos.
- No retire o modifique las pegatinas de la máquina.
- No manipule las protecciones de seguridad de la máquina y siga las instrucciones de mantenimiento ordinarias estrictamente.
- Preste atención durante el transporte de la máquina cuando la temperatura está por debajo del punto de congelación. El agua en el depósito de recuperación o en los tubos podría congelarse y dañar la máquina.
- Si se tienen que cambiar algunas piezas, compre piezas de repuesto ORIGINALES de los Distribuidores o Minoristas Autorizados.
- Lleve la máquina al Centro de Servicio si no funciona como de costumbre o está en condiciones de haber sido dañada, dejada al aire libre, caída al agua.
- Para garantizar el funcionamiento correcto y seguro de la máquina, el mantenimiento programado que se muestra en el capítulo correspondiente de este Manual, debe ser realizado por el personal autorizado o un Centro de Servicio autorizado.
- La máquina debe desecharse de forma adecuada, debido a la presencia de materiales tóxicos dañinos (baterías, etc.), que están sujetos a las normas que requieren la eliminación en centros especiales (ver capítulo Desguace).
- Esta máquina es una herramienta de limpieza, no sirve para cualquier otro propósito.
- Siempre mantenga los orificios libres de polvo, pelos y cualquier otro material extraño que podría reducir el flujo de aire. No utilice la máquina si los orificios están obstruidos.
- Utilice la máquina sólo cuando se proporciona una iluminación adecuada.
- Esta máquina no está diseñada para su uso por personas con capacidades físicas, sensoriales o mentales, o la falta de experiencia y conocimiento, a menos que sean supervisadas o instruidas acerca del uso de la máquina por una persona responsable de su seguridad.
- Preste especial atención al utilizar la máquina cerca de niños.
- Los niños deben ser supervisados para asegurarse de que no jueguen con la máquina.
- Durante el uso de esta máquina, tenga cuidado de no causar daños a personas u objetos.

DESCRIPCIÓN DE LA MÁQUINA**CONSTRUCCIÓN DE LA MÁQUINA (como se indica en Figura 1)****Figura 1**

1. Volante
2. Cojín del asiento
3. Depósito de recogida
4. Tapa depósito de recogida
5. Puerto de carga USB
6. Pedal
7. Rueda delantera
8. Soporte angular izquierdo
9. Filtro de solución
10. Cepillo
11. Cubierta del cepillo
12. Rueda trasera
13. Montaje Escobilla
14. Tapa de salida de solución
15. Manguera de desagüe
16. Tapa de entrada de agua

17. Depósito de solución
18. Palomita de ajuste de la boquilla
19. Manguera aspiradora
20. Palomita boquilla
21. Panel de control
22. Botón de emergencia
23. Palanca subir/bajar boquilla
24. Pedal de aceleración
25. Parachoques delantero
26. Indicador del nivel de solución
27. Soporte angular derecho
28. Batería
29. Motor
30. Soporte de freno de bloque
31. Cerrojo boquilla

DESCRIPCIÓN DE LA MÁQUINA

PANEL DE CONTROL (como se indica en la Figura 2)

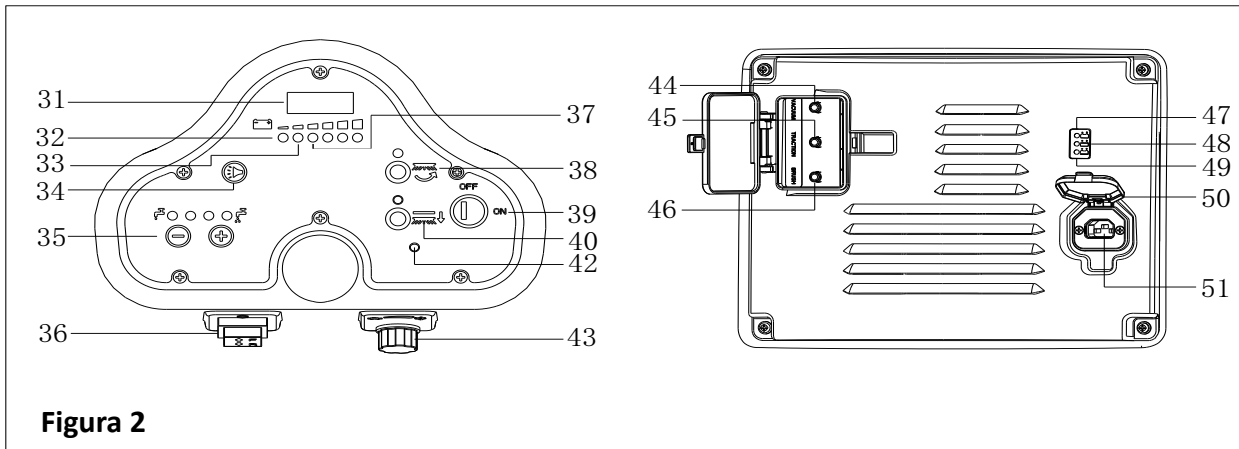


Figura 2

- | | |
|---|---|
| 31. Pantalla LED | 42. Luz de problemas en el motor |
| 32. Luz de aviso de batería descargada (Rojo) | 43. Perilla de ajuste de velocidad |
| 33. Indicador de batería semicargada (Amarillo) | 44. Protector de sobrecarga del motor aspirador |
| 34. Bocina | 45. Protector de sobrecarga del motor |
| 35. Botón de ajuste de volumen de solución | 46. Protector de sobrecarga del motor del cepillo |
| 36. Interruptor hacia adelante/ atrás | 47. Indicador de batería llena (Verde) |
| 37. Indicador de batería descargada (verde) | 48. Indicador batería semicargada (Amarillo) |
| 38. Botón cepillo | 49. Indicador de carga de batería (Rojo) |
| 39. Interruptor de llave | 50. Tapa de enchufe de carga |
| 40. Botón de descarga de cepillo | 51. Enchufe de carga |

INFORMACIÓN MOSTRADA EN PANTALLA LED

STOP– La máquina no puede moverse, el cepillo se detiene, pero el motor aspirador funciona

(00012.3) – Total de horas de funcionamiento de la máquina es de 12.3 horas

L0-(18) – Voltaje de batería inferior a 18V

U-(25.5) – Voltaje de batería de 25.5V

ERR-01 –Las boquilla no se elevan cuando la máquina va hacia atrás

VENTANA DE VISUALIZACIÓN DEL INDICADOR LUMINOSO DEL CARGADOR (como se indica en la Figura 2)

- Al comienzo de la carga, el LED rojo (49) del cargador está normalmente encendido. Es la primera fase de carga.
- Tras un tiempo de carga, el LED rojo (49) del cargador se apaga, el LED amarillo (48) se enciende, esta es la segunda fase de carga.
- Cuando la carga está completa, el LED amarillo (48) se apaga, el LED verde (47) se enciende para indicar que la batería está completamente cargada.



NOTA

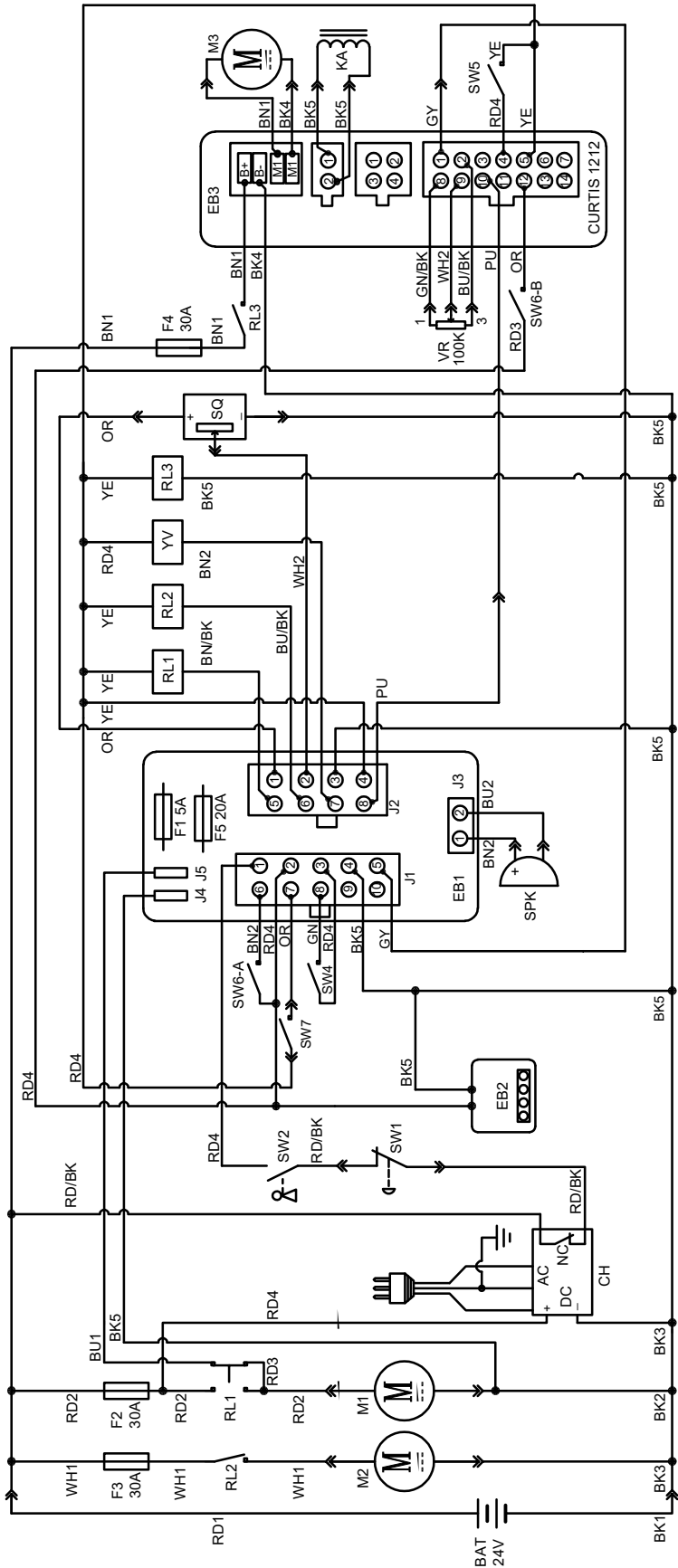
En el proceso de carga, si la luz amarilla (48) está encendida, puede ser causado por: la batería y el cargador no coinciden, la batería está mal conectada, o hay un cortocircuito en la salida.

La luz roja del cargador parpadeando puede ser debido a un cortocircuito interno en el cargador.

PARÁMETROS TÉCNICOS

MODELO	AS530R	
Dimensiones embalaje (Lx W x H)	mm	1470*730*1310
Altura de la máquina	mm	1120
Longitud de la máquina	mm	1360
Anchura de la máquina (sin la escobilla de goma)	mm	580
Peso de la máquina con los depósitos vacíos (sin baterías)	Kg	140
Peso bruto del vehículo (GVW)	Kg	270
Peso de envío	Kg	245
Capacidad del depósito de solución	Litro	72
Capacidad del depósito de recogida	Litro	73
Potencia del motor de aspiración	Vatio	400
Capacidad de aspiración	mm H ₂ O	1223
Capacidad de ascenso (Máx.)	%	10
Diámetro de la rueda delantera	mm	φ175
Diámetro de la rueda trasera	mm	φ230
Nivel de ruido	dB(A)	69
Flujo de solución/agua	L/min	0.84-2.0
Ancho de trabajo	mm	530
Anchura de la escobilla de goma	mm	730
Diámetro del cepillo/almohadilla	mm	530
Potencia del motor del cepillo	Vatio	450
Velocidad del cepillo	Rpm	160
Presión del cepillo/almohadilla (Máx.)	Kg	23
Potencia del motor de accionamiento	Vatio	300W
Velocidad de trabajo	Km/h	5.5km/h
Voltaje	V	24V
Batería (opcional)	Ah	2x100AH (20 horas)
Cargador de baterías (opcional)	V/A	24V 10A
Tamaño del compartimento de las baterías (L x W x H)	mm	350*380*300
Especificaciones del cargador USB	V/A	5V, 0.8A

DIAGRAMA DE CIRCUITO



WIRE ROD		WIRE ROD	
RD1	RED/6AWG	BN/BK	BROWN/BLACK / 20AWG
RD2	RED/10AWG	BU1	BLUE/18AWG
RD3	RED/18AWG	BU2	BLUE/20AWG
RD4	RED/20AWG	BU/BK	BLUE/BLACK / 20AWG
RD/BK	RED/BLACK / 20AWG	GN	GREEN/20AWG
BK1	BLACK/6AWG	GN/BK	GREEN/BLACK /20AWG
BK2	BLACK/10AWG	GY	GRAY/20AWG
BK3	BLACK/12AWG	PU	PURPLE/20AWG
BK4	BLACK/14AWG	OR	ORANGE/20AWG
BK5	BLACK/18AWG	YE	YELLOW/20AWG
BN1	BROWN/14AWG	WH1	WHITE/12AWG
BN2	BROWN/20AWG	WH2	WHITE/20AWG

COMPONENTS		COMPONENTS	
BAT	24V BATTERIES	KA	BRAKE
CH	BATTERY CHARGER	M1	BRUSH MOTOR
EB1	CONTROL PANEL BOARD	M2	VACUUM MOTOR
EB2	USB CHARGING ELECTRONIC BOARD	M3	DRIVE MOTOR
EB3	DRIVE ELECTRONIC BOARD	SW1	EMERGENCY-STOP SWITCH
RL1	BRUSH MOTOR ELECTROM SWITCH	SW2	KEY SWITCH
RL2	VACUUM MOTOR ELECTROM SWITCH	SW4	VACUUM MOTOR SWITCH
RL3	DRIVE SYSTEM ELECTROM SWITCH	SW5	OPTIONAL MODE SWITCH
YV	WATER ELECTROVALVE	SW6-A	OPTIONAL REVERSE SWITCH
F1	CONTROL PANEL BOARD FUSE	SW6-B	OPTIONAL REVERSE SWITCH
F2	BRUSH MOTOR CIRCUIT BREAKER	SQ	SEAT SWITCH
F3	VACUUM MOTOR CIRCUIT BREAKER	SPK	12VDC BUZZER
F4	DRIVE SYSTEM CIRCUIT BREAKER	VR	SPEED POTENTIOMETER
F5	BRUSH RELEASE FUSE		

COMPONENTES		COMPONENTES	
BAT	24V BATERÍAS	M1	MOTOR CEPILLO
CH	CARGADOR DE BATERÍA	M2	MOTOR ASPIRADOR
EB1	PANEL DE CONTROL	M3	MOTOR ARRANQUE
EB2	PLACA ELECTRÓNICA DE CARGA USB	SW1	INTERRUPTOR PARADA EMERGENCIA
EB3	PLACA ELECTRÓNICA CONDUCCIÓN	SW2	INTERRUPTOR LLAVE
RL1	INTERRUPTOR ELÉCTRICO MOTOR CEPILLO		
RL2	INTERRUPTOR ELÉCTRICO MOTOR ASPIRADOR	SW4	INTERRUPTOR MOTOR ASPIRADOR
RL3	INTERRUPTOR ELÉCTRICO SISTEMA DE ARRANQUE	SW5	INTERRUPTOR MODO OPCIONAL
YV	ELECTROVÁLVULA DE AGUA	SW6-A	INTERRUPTOR MARCHA ATRÁS OPCIONAL
F1	FUSIBLE PLACA PANEL DE CONTROL	SW6-B	INTERRUPTOR MARCHA ATRÁS OPCIONAL
F2	INTERRUPTOR MOTOR CEPILLO	SW7	INTERRUPTOR ASIENTO
F3	INTERRUPTOR MOTOR ASPIRADOR	SQ	ACELERADOR PIE
F4	INTERRUPTOR SISTEMA DE ARRANQUE	SPK	12VDC TIMBRE
F5	FUSIBLE SOLTAR CEPILLO	VR	POTENCIÓMETRO DE VELOCIDAD
KA	FRENO		

CABLE		CABLE	
RD1	ROJO/6AWG	BN/BK	MARRÓN /NEGRO/ 20AWG
RD2	ROJO /10AWG	BU1	AZUL/18AWG
RD3	ROJO /18AWG	BU2	AZUL/20AWG
RD4	ROJO /20AWG	BU/BK	AZUL/NEGRO/20 AWG
RD/BK	ROJO/NEGRO/20AWG	GN	VERDE/20AWG
BK1	NEGRO/6AWG	GN/BK	VERDE/NEGRO/20AWG
BK2	NEGRO /10AWG	GY	GRIS/20AWG
BK3	NEGRO /12AWG	PU	VIOLETA/20AWG
BK4	NEGRO /14AWG	OR	NARANJA/20AWG
BK5	NEGRO /18AWG	YE	AMARILLO/20AWG
BN1	MARRÓN/14AWG	WH1	BLANCO/12 AWG
BN2	MARRÓN /20AWG	WH2	BLANCO/20AWG

GUÍA PARA EL MANEJO



¡ADVERTENCIA!

Preste mucha atención a los símbolos de este manual:

- ¡PELIGRO!
- ¡ADVERTENCIA!
- ¡PRECAUCIÓN!
- CONSULTA

Nunca cubra estos símbolos en la máquina por cualquier motivo, reemplácelos inmediatamente en caso de cualquier daño.

INSTALACIÓN Y CONFIGURACIÓN DE LA BATERÍA EN UNA MÁQUINA NUEVA



¡ADVERTENCIA!

Los componentes eléctricos de la máquina pueden ser seriamente dañados si las baterías están mal instaladas o conectadas.

Las baterías deben ser instaladas por personal cualificado. Configure el cargador de batería (opcional) y la máquina PCBA según el tipo de batería (WET o GEL/AGM).

Revise si las baterías están dañadas antes de la instalación.

Desconecte el conector de batería y el enchufe el cargador de batería.

Maneje estas baterías con mucho cuidado.



NOTA

La máquina requiere baterías 12V, conectadas como en la Figura 3.

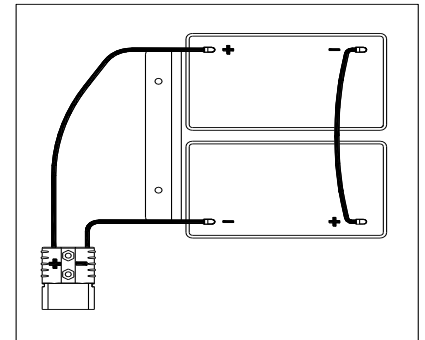


Figura 3

La máquina puede operarse en uno de los siguientes modos de batería:

A) Las baterías WET o GEL/AGM ya están instaladas y listas para usar.

1. Revise las baterías y conecte el conector de batería a la máquina.
2. Inserte la llave en el interruptor (40) y gire a "on". Si la luz verde (37) se enciende, las baterías están completamente cargadas para el uso; si la luz amarilla o roja (33 o 32) se enciende, las baterías deben cargarse.

B) Sin Baterías

1. Si su máquina no está equipada con baterías, compre baterías adecuadas [Ver el Párrafo de Datos Técnicos]. Para elegir e instalar las baterías, acuda a distribuidores cualificados.
2. Cuando las baterías están listas, configure la máquina y el cargado de batería según el tipo de baterías instaladas, luego siga las instrucciones contenidas en el siguiente párrafo.

INSTALACIÓN DE LA BATERÍA Y CONFIGURACIÓN DEL TIPO DE BATERÍA (HÚMEDA O DE GEL/AGM)

Configure la placa de circuitos electrónica de la máquina y el cargador de batería según los tipos de baterías (WET o GEL/AGM) siguiendo estos pasos:



NOTA

Cuando se instalen nuevas baterías, siga la Figura 4 para configurar el interruptor DIP, o las baterías pueden dañarse con la configuración errónea.

Configuración de la máquina

1. Inserte llave en interruptor (40) y gire hacia "ON", preste atención a lo siguiente durante los primeros segundos de arranque de la máquina:
 - Si la luz verde (37) parpadea, la máquina está configurada para usar con baterías GEL/AGM.
 - Si la luz amarilla (33) parpadea, la máquina está configurada para usar baterías Discover EV AGM.
 - Si la luz roja (32) parpadea, la máquina está configurada para usar baterías WET.
2. Siga los siguientes pasos para cambiar la configuración de la máquina.

3. La configuración de fábrica de la máquina es para baterías Discover EV AGM. Si la configuración corresponde con las baterías seleccionadas, vaya directamente al paso 6 o siga AL siguiente paso.
4. Desatornille el tornillo (B, Figura 4) en el panel de control, luego gire el PCBA (A) en el panel para encontrar interruptor DIP (D), siga la Figura 4 para configurar DIP.
5. Haga los pasos en este orden o desensamble para arreglar el panel de control y atornille el cierre cuando termine.

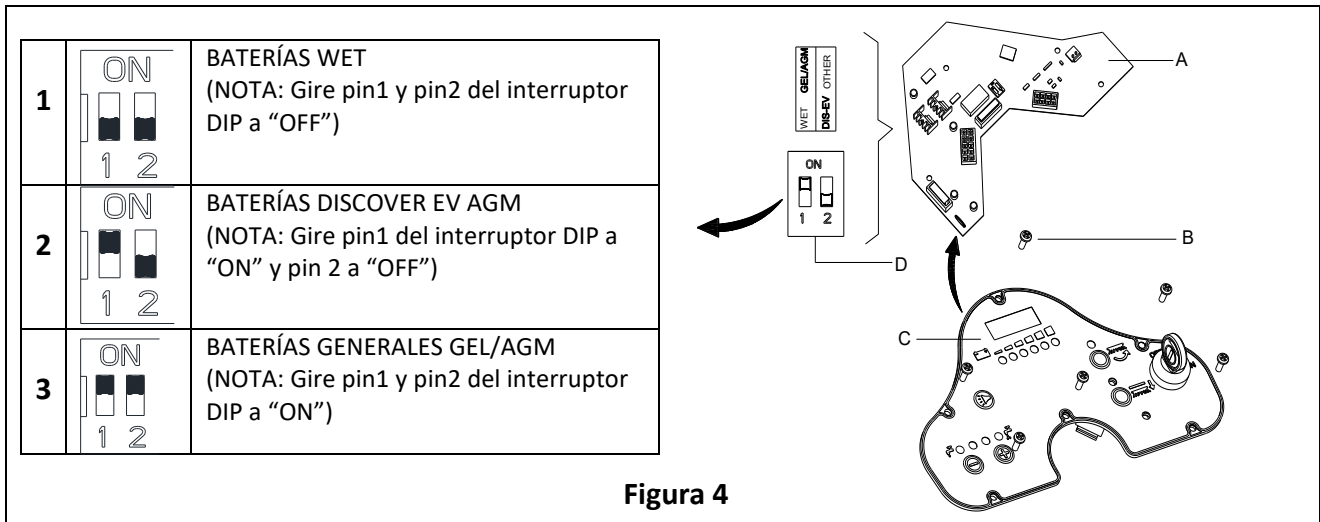


Figura 4

Instalación de la batería

6. Abra la tapa del depósito de recogida (4) y compruebe si el depósito de recogida (3) está vacío; de lo contrario vacíelo mediante la manguera de desagüe (15).
7. Cierre la tapa del depósito de recogida (4).
8. Vuelque el depósito de recogida con cuidado (3).
9. La máquina se entrega con los cables adecuados para instalar 2 baterías x12V. Coloque con cuidado las baterías en el compartimiento y a continuación instélaslas correctamente.
10. Pase e instale el cable de las baterías como se indica (en la Figura 3), luego apriete cuidadosamente la tuerca en cada uno de los terminales de la batería.
11. Coloque la tapa protectora en cada terminal, a continuación, conecte el conector de la batería.
12. Baje con cuidado el depósito de recogida (3).

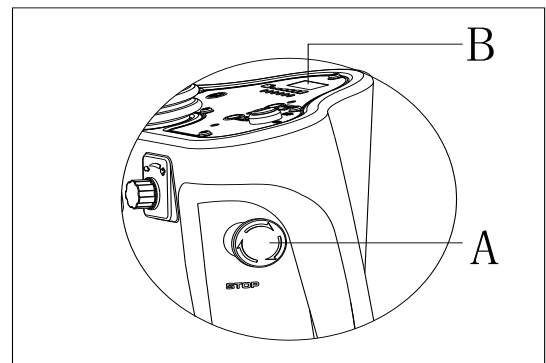


Figura 5

Cargar las baterías

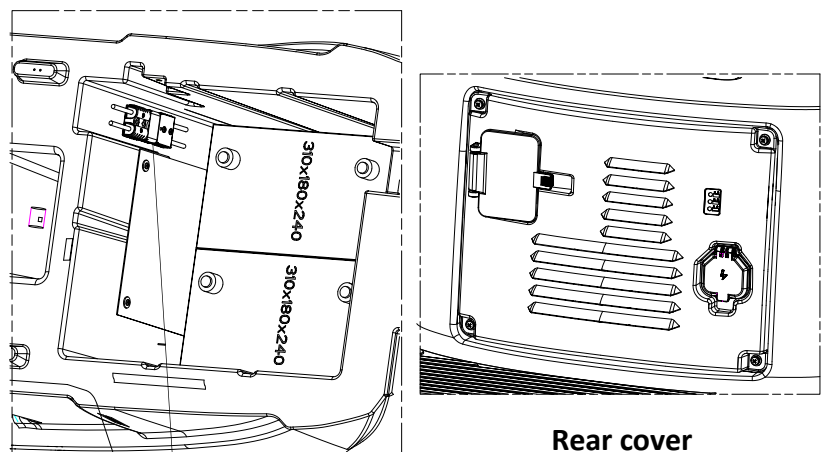
13. Cargar las baterías. [Ver capítulos de MANTENIMIENTO].

Ajuste del cargador de baterías (solo para cargador de a bordo, si está presente)

Cargador de baterías

El cargador de baterías se encuentra dentro de la cubierta trasera y está conectado directamente a las baterías. El cargador está controlado por microprocesador y utiliza diferentes curvas de carga para un rendimiento óptimo para diferentes tipos de baterías.

1. Desconecte el conector de cable que conduce a las baterías.
2. Quite las cubiertas traseras.
3. Retire los 4 tornillos (B) y quite el cargador (A).



Disconnect the connector

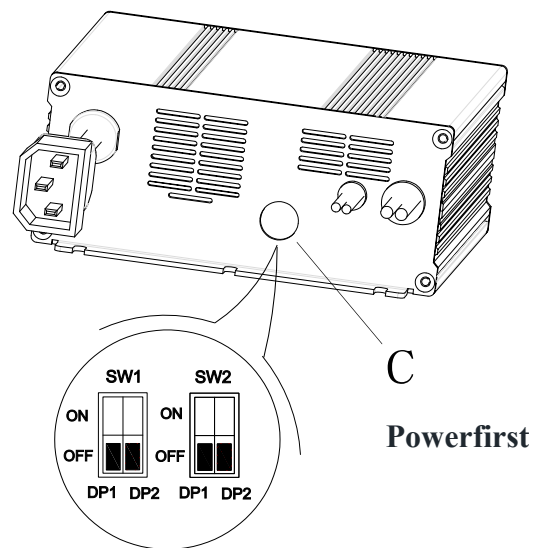
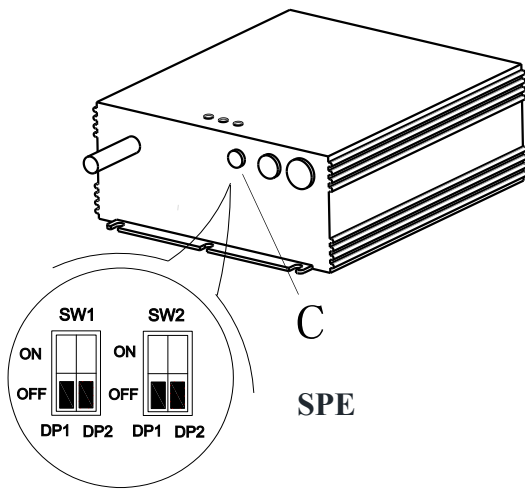
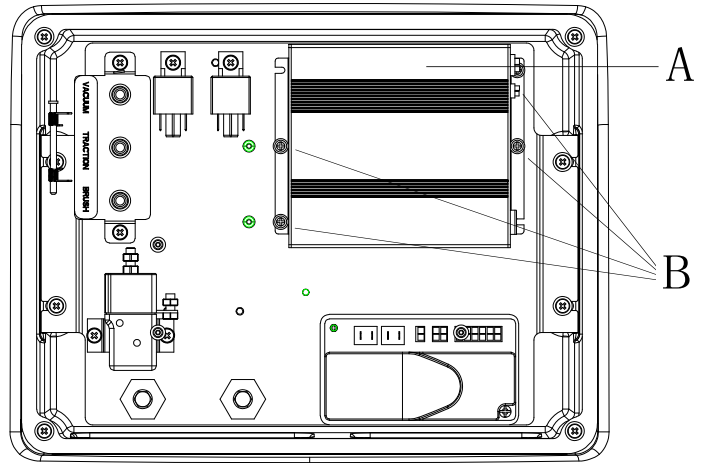
Rear cover

Batería tipo Interruptor DIP

La función del cargador está controlada por 4 interruptores DIP (2 pares) dentro de la cubierta trasera. Los segundos 2 interruptores no se deben tocar nunca a menos que el cargador haya sido reemplazado y su posición deba confirmarse, configure el voltaje de la batería (24V) y el amperaje máximo (10A) y siempre debe estar en la posición «off» de apagado.

Los primeros 2 interruptores son accesibles a través de un enchufe de plástico sin abrir el cargador. Estos interruptores establecen el tipo de curva de carga utilizada para cada tipo de batería. El tipo de curva significa la manera y magnitud en que se aplican corriente y voltaje a la batería durante sus distintas fases del ciclo de carga.

1. Retire el enchufe de plástico que cubre el orificio (C) de acceso del interruptor DIP.
2. Ajuste los primeros 2 interruptores DIP (SW1) de acuerdo con los datos de la tabla siguiente.
3. Sustituya el enchufe de plástico.



Curve/Battery Type	SW1		SW2	
	D1	D2	D1	D2
IU1a Wet	On	Off	Off	Off
IU1a Gel Exide	Off	Off		
IUoU AGM	Off	On		
IU1a AGM Discover	On	On		

Curve/Battery Type	SW1		SW2	
	D1	D2	D1	D2
IU1a Wet	On	Off	Off	Off
IU1a Gel Exide	Off	Off		
IUUa AGM	Off	On		
IU1a AGM Discover	On	On		

FRENO DE EMERGENCIA

Si ocurre alguna emergencia durante el funcionamiento, pulse el interruptor de emergencia, (A, Figura 5), y todas las funciones de la máquina se detendrán, no se muestra en el panel de control (B, Figura 5)

INSTALACIÓN Y DESINSTALACIÓN DEL CEPILLO/ALMOHADILLA



NOTA

Instale cepillo adecuado (A, Figura 6) o Pad (B y C, Figura 6) según el tipo de suelo que quiera limpiar.



PRECAUCIÓN

Antes de la instalación o desinstalación del cepillo o almohadilla, asegúrese de que todos los interruptores de la máquina están en posición de 'off' y la escobilla levantada del suelo. El operario debe estar equipado con dispositivos de protección como guantes para reducir el riesgo de accidentes. Siga las instrucciones:

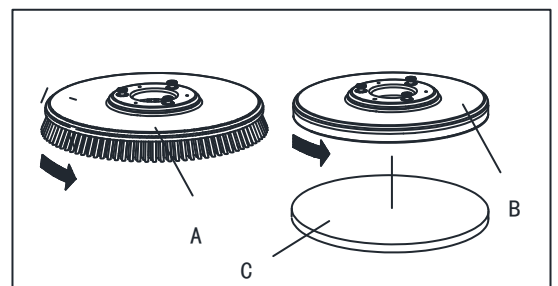


Figura 6

1. Inserte llave de encendido (40) y gire a "ON".
2. Presione el pedal (6) con el pie hacia adelante para elevar el ensamble del cepillo (11) del suelo.
3. Gire la perilla de ajuste de velocidad (42) al contrario de las agujas del reloj hasta el final.
4. Coloque el cepillo (A, Figura 5) o almohadilla (B, Figura 5) alineado con el soporte del cepillo.
5. Presione el pedal (6) con el pie hacia atrás para bajar el ensamble del cepillo (11). Siéntese en el asiento, presione el botón de cepillo (39) y presione el pedal (23) suavemente, el cepillo/almohadilla puede ensamblarse automáticamente. Repita estos pasos hasta que el cepillo/almohadilla esté instalado.
6. Si el paso 5 instala el cepillo/almohadilla pero sin éxito, por favor hágalo manualmente.
7. Presione el pedal (6) hacia adelante con el pie para elevar el ensamble del cepillo (11) del suelo, presione el botón para quitar el cepillo (41) para desinstalarlo automáticamente.



¡PRECAUCIÓN!

Gire la palomilla de ajuste de velocidad (42) a la velocidad mínima antes de presionar el pedal de aceleración (6) para evitar que la máquina se inicie demasiado rápido al arrancar. Asegúrese de que el cepillo/almohadilla esté instalado correctamente antes de poner a funcionar la máquina.

AJUSTAR EL BALANCE DE LA BOQUILLA DE ASPIRACIÓN

1. Instale la escobilla (13) y sujete la palomilla de la escobilla (20), luego conecte la manguera aspiradora (19) a la escobilla.
2. Ajuste la posición de la escobilla de goma mediante la palanca de ajuste de la escobilla de goma (A, Figura 7).
 - a) Si queda un espacio entre el suelo y sección media del labio posterior de la boquilla (B), ajuste la palomilla (A) en dirección anti horaria (F) hasta que la entera sección del labio posterior de la boquilla entre en buen contacto con el suelo, el labio delantero tocando el suelo ligeramente.
 - b) Si hay espacio entre el suelo y los dos extremos de la lámina posterior (C y D), ajuste la perilla (A) en dirección horaria (E) hasta que la entera sección de la lámina posterior entre en buen contacto con el suelo, la lámina delantera tocando el suelo ligeramente.

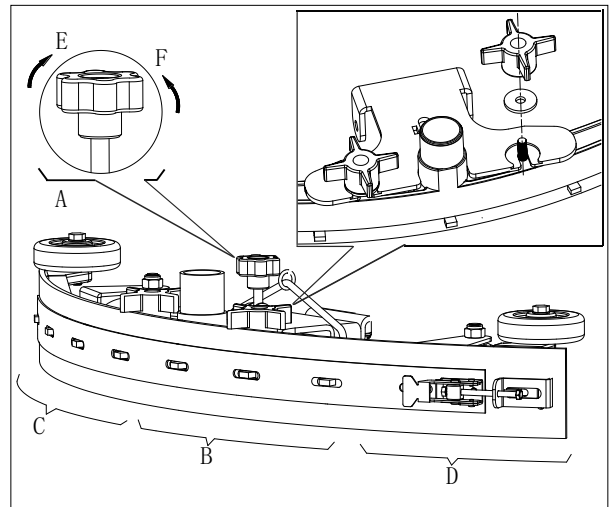


Figura 7

SOLUCIÓN DE RELLENO DEL DEPÓSITO

1. Abra la tapa de la entrada de agua (E, Figura 8).
2. A través de la entrada de agua con filtro llene agua o solución adecuada para el tipo de trabajo a realizar. La temperatura de la solución no debe ser superior a los +104F (+40°C).
3. No llene el depósito en exceso. Refiérase al indicador del nivel de agua (G) en cuanto al volumen del agua.



¡ADVERTENCIA!

Utilice solo detergentes no inflamables y de baja espuma, indicados para el uso en fregadoras automáticas.

Inspección Motor de Arranque

1. Gire el interruptor de llave (A, Figura 9) hacia "ON".
2. Presione el pedal de aceleración (C) suavemente luego suéltelo para comprobar que la máquina puede orientarse hacia adelante y detenerse.
3. Para mayor seguridad, confirme si la máquina puede detenerse inmediatamente presionando el botón de emergencia (B). Gire el botón de emergencia para reiniciarlo.



PRECAUCIÓN

La capacidad de ascenso de la máquina no debe exceder el 10%.



PRECAUCIÓN

El freno del motor de arranque está desbloqueado cuando el motor funciona normalmente, se bloquea cuando el motor deja de funcionar.

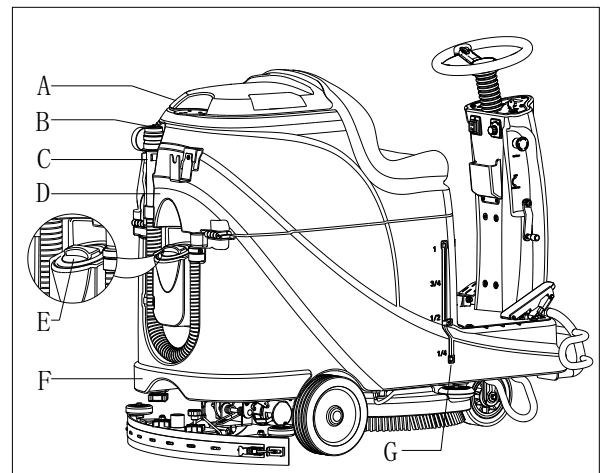


Figura 8

- Freno desbloqueado –el mango del freno (D, Figura 9) se sitúa encima
- Freno bloqueado –el mango del freno se sitúa debajo.
En casos especiales, como embalaje y desembalaje de la máquina, fallo de la máquina etc., necesita mover la máquina sin el motor de arranque encendido, por favor configure manualmente el freno al estado desbloqueado para moverlo. Para evitar riesgos de seguridad, asegúrese de poner el freno de vuelta a su estado bloqueado tras el movimiento de la máquina.

INICIO Y PARADA DE LA MÁQUINA

Iniciando la máquina

1. Prepare la máquina como se describe en el párrafo anterior.
2. Siéntese en el asiento (L, Figura 10), inserte el interruptor de llave (A) y gírelo hacia “ON”. Si la luz verde (C) está encendida, las baterías están completamente cargadas para el uso. Si la luz amarilla (E) o la luz roja (D) está encendida, deben cargarse antes del funcionamiento. [Ver capítulos de MANTENIMIENTO para carga de baterías].
3. Baje el ensamble de la escobilla al suelo.

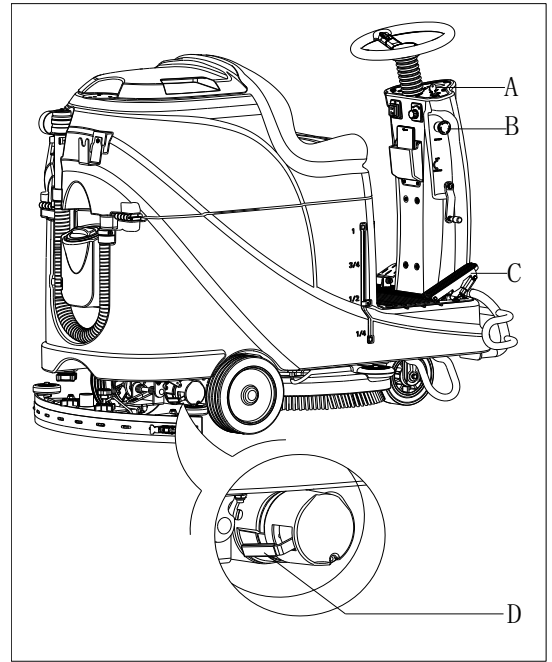


Figura 9

NOTA



Asegúrese de que el ensamble de la escobilla está elevado antes de dar marcha atrás, o la máquina se parará y la pantalla LED mostrará información de “error”.

4. Baje el ensamble de la escobilla al suelo.

NOTA



Asegúrese de apagar el botón del cepillo antes de que se eleve el ensamble del cepillo, y eleve el ensamble del cepillo antes de que la máquina se oriente hacia adelante/atrás.

5. Pulse el botón del cepillo (B)
6. Presione el pedal de aceleración (R), dirija la máquina hacia adelante o hacia atrás girando el volante (N) junto con el interruptor de adelante-atrás (H), puede ajustar la velocidad ajustando la perilla de velocidad (I).
7. Ajuste el flujo de solución ajustando la base del botón (G) según las necesidades de limpieza.
8. Puede cargar su teléfono o tableta con el puerto de carga USB (M) cuando el interruptor de llave (A) esté en “ON”.
9. Presione el botón de bocina (F) para avisar a las personas cuando sea necesario.
10. Si es necesario, presione el botón de emergencia para hacer una parada de emergencia.

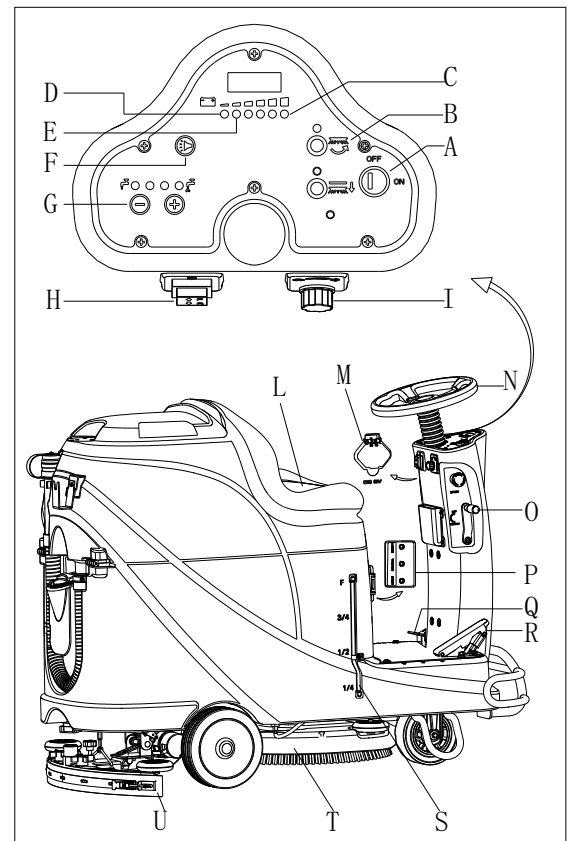


Figura 10

NOTA



El motor del cepillo, el motor aspirador, el motor de arranque y el circuito de control están protegidos por un protector de sobrecarga (P). Cuando el protector de carga se activa, no reinicie inmediatamente sin conocer la causa, y asegúrese de que el motor está frío antes de reiniciar.

Parar la máquina

11. Afloje el pedal de aceleración (R, Figura 10), la máquina deja de funcionar.
12. Pulse el botón del cepillo (B) para parar el motor del cepillo.
13. Eleve el ensamble del cepillo (T) presionando el pedal (Q).
14. Eleve el ensamble del cepillo (U) subiendo/bajando la palanca de la escobilla (O), y unos segundos después, el sistema de aspiración se cerrará.
15. Gire el interruptor de llave hacia "OFF"
16. Asegúrese de que la máquina está apagada.

CONDUCCIÓN DE LA MÁQUINA (FREGAR Y SECAR)

1. Encienda la máquina siguiendo las instrucciones de los párrafos anteriores.
2. Comience a limpiar siguiendo las instrucciones en la sección "Iniciar la máquina"
3. Si es necesario, detenga la máquina para ajustar la escobilla según la sección "Ajuste de la estabilidad de la escobilla".



¡PRECAUCIÓN!

Para evitar daños en la superficie del suelo, apague el mango del cepillo/almoHADILLA cuando la máquina se pare en un sitio.



NOTA

Para un fregado /secado del suelo por el lado de las paredes, le sugerimos que se acerque a las paredes por el lado derecho (lado de la rueda parachoques) de la máquina como se muestra en la Figura 11.

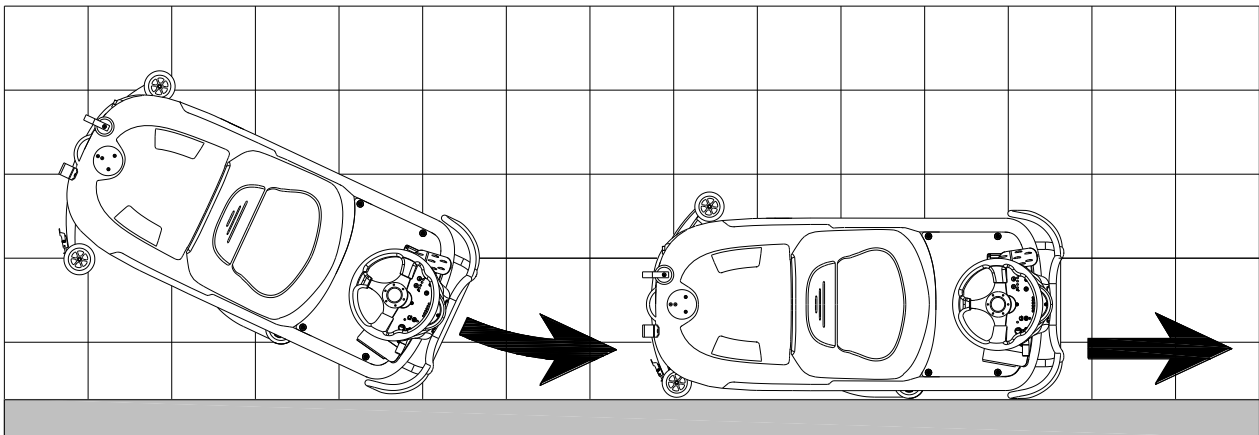


Figura 11

Carga de batería durante el funcionamiento

Cuando la luz verde está encendida (A, Figura 12), las baterías tienen suficiente energía para que la máquina funcione con normalidad; cuando todas las luces verdes están apagadas, la luz amarilla (C, Figura 12) está encendida, la carga de las baterías es demasiado baja, por favor cárguelas; cuando la luz roja parpadee (B, Figura 12), las baterías están descargadas, el motor aspirador y el motor del cepillo se apagarán automáticamente unos segundos más tarde, por favor lleve la máquina para cargar las baterías inmediatamente.

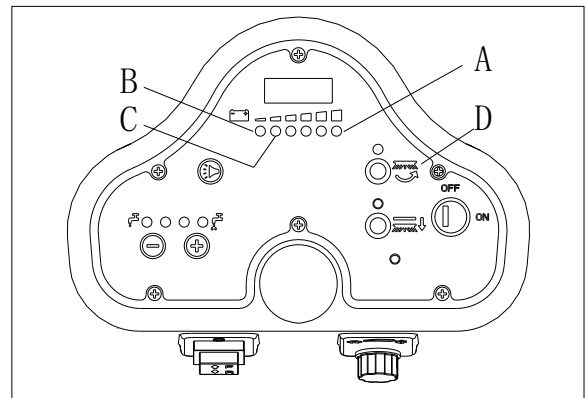


Figura 12



¡PRECAUCIÓN!

Para evitar daños en las baterías y acortarles su vida útil, no use la máquina cuando las baterías están descargadas.

VACIAR LOS DEPÓSITOS

Un sistema de cierre del flotador automático (B, Figura 13) bloquea el sistema de aspiración cuando el depósito de agua sucia (C) está lleno. La desactivación del sistema de aspiración se indica mediante un aumento repentino en la frecuencia de ruido del motor del sistema de aspiración, y también el suelo no se seca.



¡PRECAUCIÓN!

Si el sistema de aspiración se apaga accidentalmente (por ejemplo, cuando el flotador se activa debido a un movimiento brusco de la máquina), para reanudar la operación: apague el sistema de aspiración pulsando el interruptor (D, Figura 12), a continuación, abra la tapa (A, Figura 11) y compruebe que el flotador dentro de la rejilla (B) ha bajado al nivel del agua. Luego cierre la tapa (A) y ponga en marcha el sistema de aspiración pulsando el interruptor (D, Figura 12).

Cuando el depósito de agua sucia (C, Figura 13) está lleno, vacíelo de acuerdo con el siguiente procedimiento.

Vaciar el depósito de agua sucia

1. Pare la máquina.
2. Levante el grupo de cepillo del portacepillos/porta-discos (H, Figura 12) pisando el pedal (G).
3. Levante la boquilla de aspiración usando la palanca (H).
4. Conduzca la máquina a la zona de vertido designada.
5. Vacíe el depósito de agua sucia usando la manguera (D).
A continuación, enjuague el depósito con agua limpia.



¡PRECAUCIÓN!

Cuando desagüe los restos de agua, la manguera de drenaje debe estar doblada (A, Figura 14) y colocada en una posición baja (B, Figura 14) antes de abrir la tapa de la manguera de drenaje. No suba la salida de la manguera de drenaje para drenar el agua verticalmente para evitar que el agua residual caiga sobre la máquina.

Vaciado de depósito de Agua limpia/Solución

6. Siga los pasos 1 al 4 en el capítulo "Vaciado del tanque de recuperación".
7. Vacíe el depósito de solución por medio de la tapa de salida (A, Figura 15). Luego, enjuague el depósito con agua limpia.

DESPUÉS DE USAR LA MÁQUINA

Después de usar, antes de guardar la máquina:

1. Retire los portacepillos/porta-discos.
2. Vacíe los depósitos (B y C, Figura 15) tal y como se indica en el apartado anterior.
3. Vaciar el depósito de solución (Consejo).
4. Guarde la máquina en un lugar limpio y seco, con los portacepillos/porta-discos y la escobilla de goma levantados o desmontados.

INACTIVIDAD PROLONGADA DE LA MÁQUINA

Si la máquina no va a ser utilizada durante más de 30 días, proceda de la siguiente manera:

1. Siga las instrucciones del párrafo "TRAS USAR LA MÁQUINA".
2. Desconecte el conector de la batería (D, Figura 15).

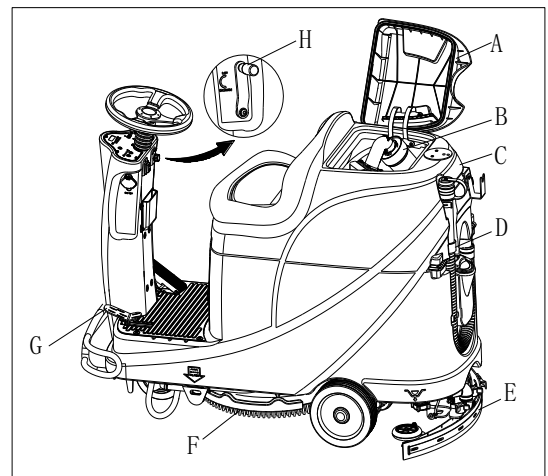


Figura 13

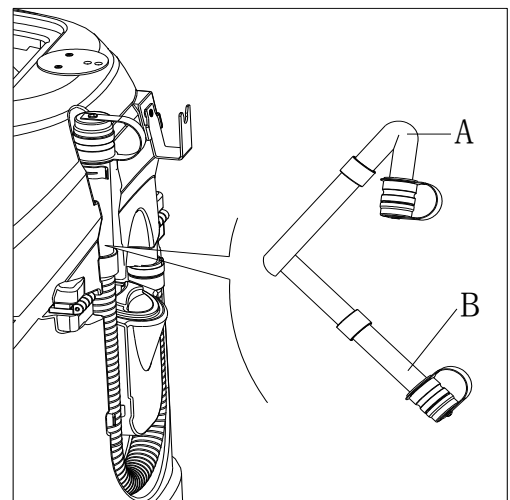


Figura 14

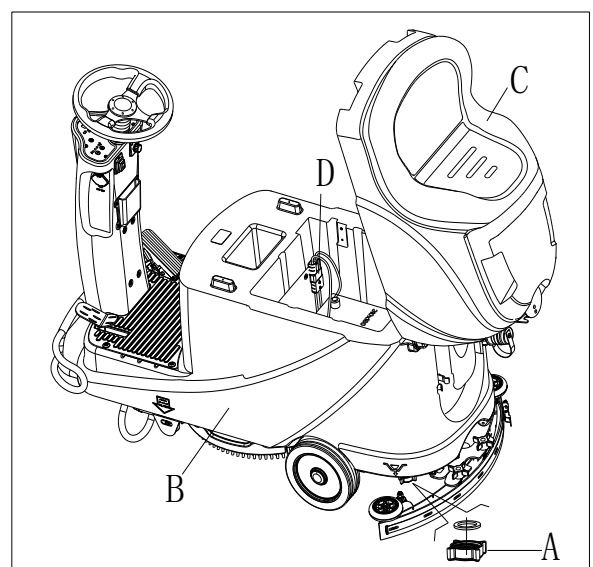


Figura 15

PRIMER USO

Tras nueve horas de uso la primera vez, por favor revise si hay algún daño o situación anormal, revise que los cierres y fijaciones están sueltos.

MANTENIMIENTO



¡ADVERTENCIA!

Los procedimientos de mantenimiento deben ser realizados cuando la máquina está apagada y el cable del cargador de la batería está desconectado. Además, lea atentamente los capítulos de seguridad en el manual.

Todos los procedimientos de mantenimiento programado o extraordinario deben ser realizados por personal cualificado o un Centro de Servicio autorizado. Este manual sólo describe los procedimientos de mantenimiento generales y comunes.

Para otros procedimientos de mantenimiento que no están en la tabla abajo del programa de mantenimiento, por favor refiérase al Manual de Servicio que puede ser consultado en cualquier Centro de Servicio de nuestra empresa.

TABLA DE MANTENIMIENTO PROGRAMADO



¡PRECAUCIÓN!

El procedimiento marcado con (1) debe realizarse 9 horas después del primer uso de la máquina.

El procedimiento marcado con (2) debe ser realizado por el Centro de Servicio designado por nuestra empresa.

Procedimiento	Diario, después de cada uso	Semanal	Cada 6 meses	Anualmente
Cargar la batería				
Limpiar la escobilla de goma				
Limpiar el cepillo/soporte de la almohadilla				
Limpiar los tanques				
Inspeccionar las tiras de sellado de los tanques				
Limpiar el filtro del flotador de bola				
Inspección y cambio de las láminas de la boquilla de aspiración				
Limpiar el filtro de agua				
Limpiar el filtro de aspiración				
Control del nivel de líquido de la batería WET				
Inspeccionar si los tornillos y tuercas están bien apretados			(1)	
Inspeccionar o reemplazar la escobilla de carbón del cepillo/soporte de del grupo de cepillo				(2)
Inspeccionar o reemplazar la escobilla de carbón del motor de aspiración				(2)
Inspección o cambio del cepillo de carbón del motor del sistema de accionamiento (solo para máquinas con tracción)				(2)
Añadir aceite lubricante a las partes rotatorias			(1)	

CARGAR LA BATERÍA



NOTA

Por favor, cargue las baterías cuando el LED amarillo (32) o el LED rojo (33) se iluminan, o al final de cada ciclo de trabajo.



¡PRECAUCIÓN!

Siempre mantenga la batería en un estado de carga completa para extender su vida útil.



¡PRECAUCIÓN!

Por favor, cargue la batería lo más pronto posible si el nivel de batería es bajo, de lo contrario la vida útil de la batería puede reducirse. Es mejor para inspeccionar la batería al menos una vez a la semana.



¡PRECAUCIÓN!

Sea especialmente cuidadoso cuando las baterías se están cargando ya que pueden filtrar ácido en el proceso de carga. El ácido de batería es corrosivo, si por accidente entra en contacto con la piel o los ojos, enjuáguese inmediatamente con agua limpia y visite a un médico.

Pasos preparatorios para cargar las baterías

1. Abra la tapa del depósito de recuperación (B, Figura 16) para ver si el depósito de recuperación (C) está vacío, o vacíe el depósito de recuperación con la manguera de drenaje (A).
2. Conduzca la máquina al área de carga designada.
3. Gire el interruptor de llave hacia "OFF".
4. Este paso es sólo para baterías WET:
 - Limpie la superficie de la batería si es necesario.
 - Revise el nivel de electrolitos de la batería (D), si es necesario, abra la tapa para llenar electrolito, luego vuelva a cubrirlo.
 - Mantenga la tapa abierta durante la carga.
5. Seleccione uno de los modos base de carga según el tipo de cargador elegido.

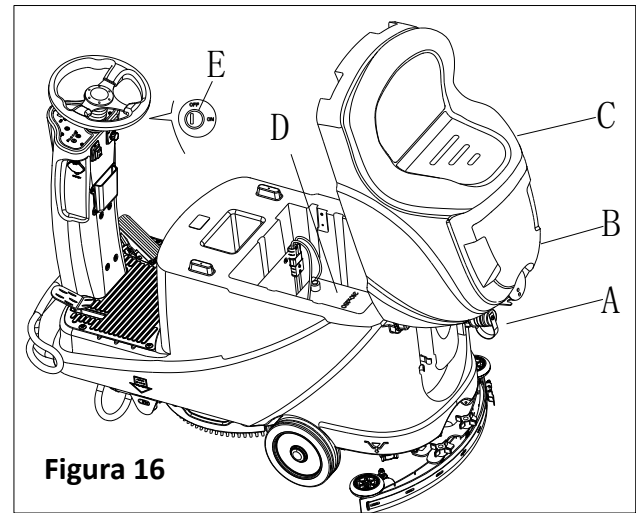


Figura 16

Uso del cargador a bordo para cargar batería

6. Conecte el cable cargador de batería (A, Figura 17) a la red eléctrica (G), luego todas las funciones de la máquina, excepto la función de carga, se cortan automáticamente. El LED rojo normal (B) marca que la máquina está en proceso de carga.
7. La carga de las baterías está completa cuando el LED verde (C) se enciende.
8. Desconecte el cable cargador de batería de la red eléctrica una vez la carga sea completada, luego guarde el cable cargador de batería en la caja de almacenamiento (D).

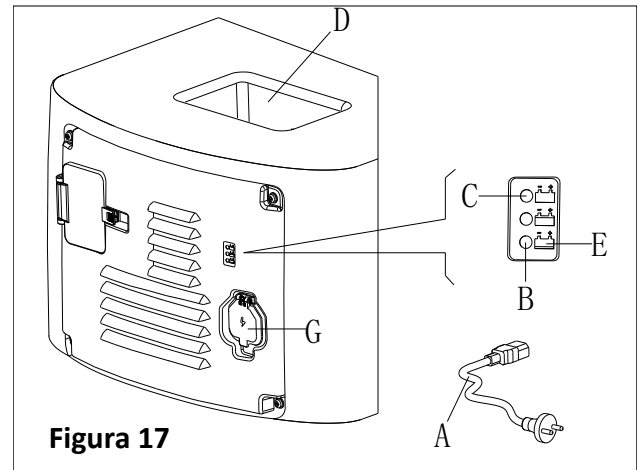


Figura 17



NOTA

Para más información sobre la carga a bordo (E, Figura 17), por favor consulte el manual del centro de servicio.

LIMPIAR EL CEPILLO/DISCOS



¡PRECAUCIÓN!

Se recomienda usar guantes al limpiar el cepillo o el soporte de la almohadilla, ya que puede contener fragmentos afilados.

1. Retire el cepillo/soporte del pad según los procedimientos de las secciones anteriores.
2. Lave el cepillo/soporte del pad con agua y detergente.
3. Compruebe las condiciones de integridad y la abrasión de las cerdas del cepillo, si es necesario, reemplace el cepillo.
4. Verificar el estado abrasión del pad de pulido, de ser necesario, cámbielo.

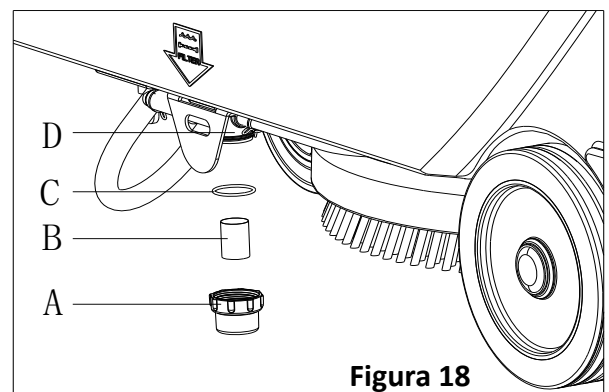


Figura 18

LIMPIEZA DEL FILTRO DE SOLUCIÓN

1. Conduzca la máquina hacia una superficie plana.
2. Asegúrese de que la máquina está apagada.
3. Vacíe el depósito de solución (paso opcional).
4. Quite la tapa del filtro de solución (A, Figura 18) para limpiar la malla del filtro (B), y luego colóquelo de nuevo en el soporte del filtro (D).



NOTA

La malla del filtro (B) debe estar correctamente colocada en la carcasa del soporte del filtro (D).

LIMPIEZA DE LOS LABIOS



NOTA

La boquilla deben estar limpia igual que los labios de goma deben estar en buenas condiciones con el fin de conseguir un buen secado.



¡PRECAUCIÓN!

Es aconsejable usar guantes de protección al limpiar la escobilla de goma, ya que puede haber escombros cortantes.

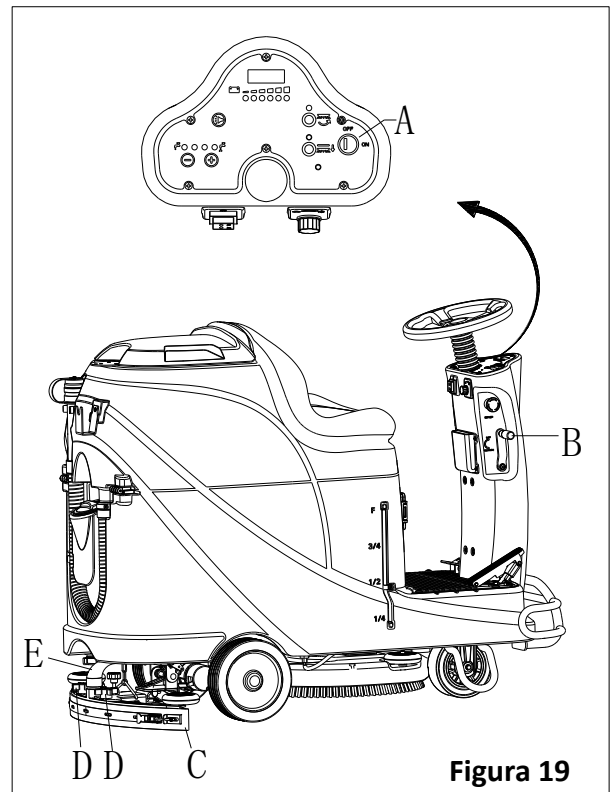


Figura 19

1. Conduzca la máquina hacia suelo plano.
2. Gire el interruptor de llave (A, Figura 19) hacia "OFF".
3. Baje la escobilla (B) con la palanca (C).
4. Afloje las perillas (D) y retire la escobilla.
5. Desconecte la manguera aspiradora (E) de la escobilla.
6. Limpie la escobilla de acero o aluminio, especialmente los compartimentos (A, Figura 20) y los orificios (B). Revise la integridad, cortes y rasguños de la cuchilla frontal (B) y la cuchilla trasera (C), si es necesario, reemplácelas según las instrucciones del siguiente párrafo.
7. Ensamble la escobilla en el orden contrario de desmontaje.

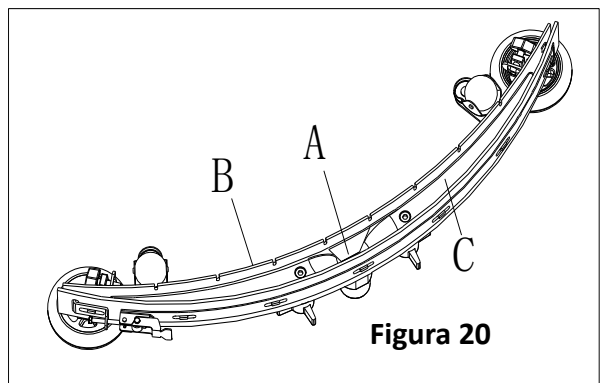


Figura 20

INSPECCIÓN Y CAMBIO DE LAS LÁMINAS DE LA BOQUILLA DE ASPIRACIÓN

1. Limpie el escurridor de acero o de aluminio, tal y como se indica en el apartado anterior.
2. Compruebe si los bordes (E, Figura 21) de la lámina delantera (C) y los bordes (F) de la lámina posterior (D) están en el mismo nivel, en su longitud; si es necesario ajuste su altura de acuerdo con el siguiente procedimiento:
 - Retire la barra de unión (G), desenganche los elementos de fijación (M) y ajuste la lámina posterior (D), luego enganche los elementos de fijación (M) y vuelva a instalar la barra de unión (G).
 - Afloje las perillas (I) y ajuste la lámina delantera (C), luego apriete las perillas.
3. Compruebe si se detectan signos de desgaste, cortes y grietas en la lámina delantera (C) y en la posterior (D); si es necesario reemplácelas de acuerdo con el siguiente procedimiento. Compruebe si la esquina frontal (J) de la lámina posterior (D) está desgastada; si es necesario, dé la vuelta a la lámina para sustituir la esquina desgastada con la íntegra. Si ambas las esquinas están demasiado desgastadas, reemplace la lámina de acuerdo con el siguiente procedimiento:
 - Retire la barra de unión (G), desenganche los elementos de fijación (M) y retire el listón de retención (K). A continuación, reemplace/dé la vuelta a la lámina posterior (D). Monte la lámina en el orden inverso al desmontaje.
 - Desenrosque las perillas (I) i retire el listón de retención (L), a continuación, reemplace la lámina delantera (C). Monte la lámina en el orden inverso al desmontaje. Después de la sustitución (o la vuelta) de la lámina, ajuste la altura como se muestra en el paso anterior.
4. Conecte el tubo de aspiración (A, Figura 22) con la escobilla de goma.
5. Monte la escobilla de goma (B) y enrosque las perillas (C).
6. Si es necesario, ajuste el balance de la escobilla mediante la perilla de ajuste (D).

REJILLA DEL DEPÓSITO Y DE LA ASPIRACIÓN CON LIMPIEZA DEL FLOTADOR E INSPECCIÓN DE LA JUNTA DE LA TAPA

1. Conduzca la máquina a una superficie nivelada.
2. Asegúrese que la máquina está apagada y la llave de ignición (40) ha sido retirada.
3. Gire la tapa del tanque de recuperación (A, Figura 23) a la posición de 90 grados, donde se puede despegar del tanque, y luego desmonte el filtro de flotador de bola (P) del tanque.
4. Limpie la tapa del tanque de recuperación (A), tanque de recuperación (B), el tanque de agua limpia (C) y el marco de soporte de filtro del flotador (E). Vacíe el tanque de recuperación usando la manguera de vaciado (15).
5. Si es necesario, siga los símbolos "ABIERTO" y "CERRADO", como se muestra en la Figura 23 para abrir la tapa inferior (F) del filtro del flotador de bola y luego limpiar la bola del flotador (D), el marco de soporte del filtro (E) y la esponja de filtro (I). Después de la limpieza, fijar la bola del flotador (D) en el marco de soporte del filtro (E) y luego alinee la ranura de marca (L) de la tapa inferior (F) del filtro del flotador con la ranura de marca (L) del marco de soporte del filtro del flotador (E). Enrosque la tapa inferior del filtro flotador de bola apretándola bien, y fijar la esponja del filtro (I) en el marco de soporte del filtro del flotador (E). Por último, conecte la manguera de aspiración de agua sucia (M).
6. Inspeccione la integridad de las tiras de sellado de los tanques.

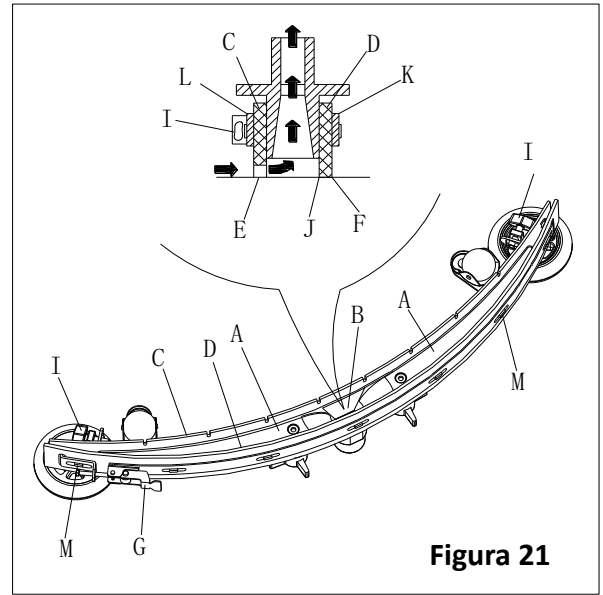


Figura 21

NOTA

La tira de sellado del tanque (G) sirve para producir el vacío dentro del tanque cuando funciona el motor de aspiración. El tanque debe ser sellado para poder absorber eficazmente el agua del suelo hasta el depósito de recuperación.

7. Compruebe si la superficie de contacto de la tira de sellado (G) de sellado es íntegra y el sellado es suficiente. Si es necesario, saque la tira de sellado del tanque a través de la ranura (H) y reemplácela. Aplique una nueva tira de sellado como se muestra en la Figura 23, la junta debe estar de vuelta en la zona media.
8. Cierre la tapa del tanque de recuperación (A).

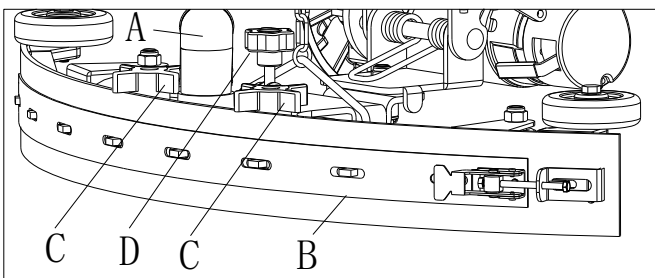


Figura 22

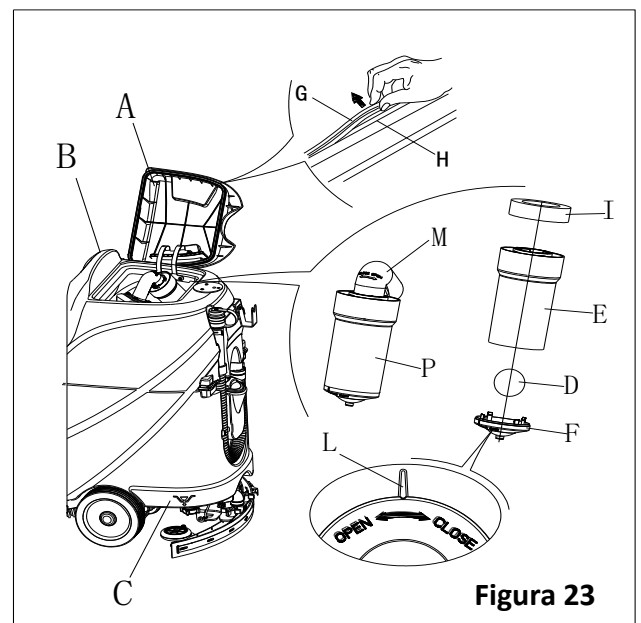


Figura 23

REVISIÓN DE FUSIBLE/REEMPLAZO

1. Gire el interruptor de llave (D, Figura 24) hacia "OFF".
2. Desconecte el cable de conexión de batería.
3. Desatornille los tornillos (C) del panel de control y gire hacia el PDBA para encontrar el fusible (A y B).
4. Revise/reemplace los fusibles:
 - A) F1 es el fusible de circuito de baja potencia (5A)
 - B) F3 es el fusible de desmontaje del cepillo (20A)
5. Tras terminar de revisar/reemplazar, vuelva a ensamblar en el orden contrario del desmontaje.
6. Revise o reinicie el protector de sobrecarga del motor.
 - E) F5 es el protector de sobrecarga del motor aspirador (30A)
 - F) F4 es el protector de sobrecarga del motor de arranque (30A)
 - G) F2 es el protector de sobrecarga del motor del cepillo (30A)

ACCESORIOS/OPCIONES

Además de los componentes estándar, la máquina puede equiparse con los siguientes accesorios/opciones, de acuerdo con su uso específico.

Para más información sobre los accesorios opcionales mencionados anteriormente, póngase en contacto con un distribuidor autorizado.

Accesorios/Opciones

Consulte la sección «Lista de piezas»

1. Baterías de GEL/AGM
2. Discos de diferentes materiales

RESOLUCIÓN DE PROBLEMAS

PROBLEMA	Causa probable	Remedio
Los motores no funcionan; ninguna luz de aviso se enciende (C9)	El conector de baterías está desconectado	Conecte el conector de batería
	Las baterías están completamente descargadas	Cargue las baterías
La máquina no funciona, se enciende la luz roja de aviso de capacidad de batería (C8)	La carga de las baterías es demasiado baja	Cargue las baterías
La máquina no va hacia adelante/atrás	Fallo del panel de control de circuitos	Reemplace el panel de control de circuitos
	Fallo de controlador del motor de arranque	Consulte "INFORMACIÓN DEL INDICADOR DE ERROR DEL MOTOR DE ARRANQUE"
	El operador no está en el asiento	Siéntese en el asiento
	La escobilla no está elevada mientras la máquina va marcha atrás	Eleve la escobilla
El motor del cepillo no funciona	Fallo del panel de control de circuitos	Reemplace el panel de control de circuitos
	Sobrecarga del motor de cepillo	Use un cepillo de cerdas blandas apto para limpieza, y reinicie el protector de sobrecarga del motor de cepillo.
	Fallo del contactor del motor del cepillo	Contacte con el servicio post-venta
	Desgaste de escobillas motor del cepillo	Contacte con el servicio post-venta
	Obstáculos impiden que el cepillo gire	Limpie el cepillo
El motor de arranque no funciona	Se enciende la luz de aviso de problemas en el motor de arranque	Consulte "INFORMACIÓN DEL INDICADOR DE ERROR DEL MOTOR DE ARRANQUE"

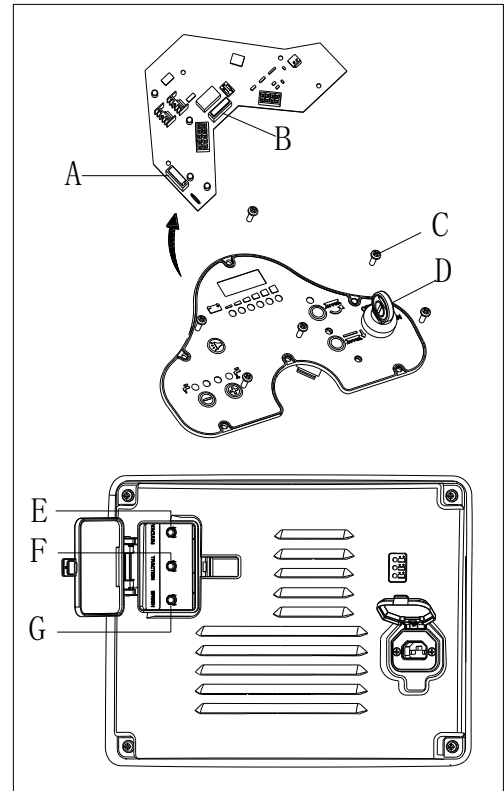


Figura 24

	Motor de arranque sobrecargado	Reinicie el protector de sobrecarga del motor de arranque y revise el motor de arranque/circuito
El motor aspirador no funciona	Motor aspirador sobrecargado	Reinicie el protector de sobrecarga del motor aspirador y revise el motor aspirador
	Relé de fallo de motor aspirador	Contacte con el servicio post-venta
	Control Fallo del panel de control	Reemplace el panel de control
Succión insuficiente, el suelo no puede secarse	Depósito de recuperación lleno	Vacíe el depósito de recuperación
	Mala conexión entre escobilla y manguera de drenaje	Conecte la manguera de drenaje y la escobilla correctamente
	Filtro con boya bloqueado	Limpie el filtro con boya y revise la colocación del filtro con boya
	La escobilla está sucia o desgastada	Revise y limpie la escobilla
	La cubierta del tanque de recuperación no está bien cerrada, o la junta está dañada, el tubo curvo está obstruido	Cierre bien la cubierta, o reemplace la junta o limpie el tubo curvo.
	El tanque de recuperación está sucio	Limpie el tanque de recuperación
Suministro insuficiente de solución al grupo de cepillo	El filtro de solución está sucio	Limpie el filtro
	La luz indicadora de depósito vacío de solución	Llene el depósito de solución
	El depósito de solución está demasiado sucio	Limpie el depósito de solución
Boquilla araña el suelo	Hay residuos bajo los labios de la boquilla	Elimine los residuos
	Labios desgastados, agrietados o viejos	Reemplace los labios de la boquilla
	La estabilidad de la escobilla no está ajustada	Ajuste la estabilidad de la escobilla
Fallo en el freno del motor de arranque	El freno está bloqueado	Desbloquee el freno

INFORMACIÓN DEL INDICADOR DE ERROR DEL MOTOR DE ARRANQUE

	CÓDIGOS LED	FALLO	POSIBLE CAUSA
1.1	○○	FALLO TERMICO	1. Temperatura >80°C o < -10°C. 2. Carga excesiva en el vehículo. 3. Funcionamiento en ambientes extremos. 4. Freno electromagnético no liberado.
1.2	○○○	FALLO ACELERADOR	1. Cable de entrada del acelerador abierto o acortado. 2. Acelerador defectuoso. 3. Seleccionado tipo de acelerador erróneo.
1.3	○○○○	FALLO POTENCIÓMETRO	1. Cable(s) del limitador de velocidad roto o acortado. 2. Limitador de velocidad roto.
1.4	○○○○○	FALLO SUBTENSIÓN	1. Voltaje de baterías <17 voltios. 2. Mala conexión de batería o controlador.
1.5	○○○○○○	FALLO SOBRETENSIÓN	1. Voltaje de baterías >31 voltios. 2. Vehículo funcionando con el cargador conectado. 3. Conexión intermitente de batería.
2.1	○○○	FALLO DEL PRINCIPAL APAGADO	1. Fallo de apertura del conductor contactor principal.
2.3	○○○○○	FALLO PRINCIPAL*	1. Contactor principal desgastado o apertura bloqueada. 2. Fallo del conductor contactor principal.

2.4	□□□□□□□□	FALLO DEL PRINCIPAL ENCENDIDO	1. Fallo de cierre de conductor contacto principal.
3.1	□□□□□	FALLO DE CABLEADO *	1. Acelerador desajustado. 2. Acelerador o mecanismo de aceleración roto.
3.2	□□□□□□	FALLO FRENO ENCENDIDO	1. Conductor del freno electromagnético acortado. 2. Bobina de freno electromagnético abierta.
3.3	□□□□□□□□	FALLO PRECARGA *	1. Conductor de freno roto. 2. Precargue el circuito dañado. 3. Fallo MOSFET.
3.4	□□□□□□□□□□	FALLO FRENO APAGADO	1. Conductor de freno electromagnético abierto. 2. Bobina de freno electromagnético acortada.
3.5	□□□□□□□□□□□□	FALLO HPD	1. Secuencia inapropiada de acelerador y KSI, empuje, o inhibir entradas. 2. Acelerador mal ajustado.
4.1	□□□□□□	FALLO DIRECCIÓN *	1. Cortocircuito en el motor o en cableado del motor. 2. Fallo de controlador.
4.2	□□□□□□□□	MECANISMO SEGURIDAD DEL HARDWARE *	1. El voltaje del motor no se corresponde con el acelerador requerido. 2. Cortocircuito en el motor o en el cableado del motor. 3. Fallo de controlador.
4.3	□□□□□□□□□□	FALLO DE SUMA DE CONTROL EEPROM †	1. Fallo EEPROM.
4.5	□□□□□□□□□□□□	FALLO BATERIA DESCONECTADA *	1. Batería no conectada. 2. Mala conexión a los terminales de batería.

* = Debe girar el interruptor de llave para autorizar.

† = Debe usar programador para autorizar, de la siguiente manera: seleccione menú Programa, cambie los valores de los datos de cualquier parámetro, gire el interruptor de llave.



NOTA

La máquina que está equipada con cargador a bordo no se pondrá en funcionamiento cuando el cargador a bordo no funcione, por favor contacte con nuestro centro de mantenimiento para obtener ayuda.

DESGUACE

Deseche la máquina mediante una institución de tratamiento de residuos calificada.

Antes de desechar máquina, por favor lleve y separe el subconjunto a continuación que debe eliminarse en forma adecuada según las leyes y reglamentos pertinentes.

- Batería
- Cepillo/Soporte de la almohadilla
- Manguera y piezas de plástico
- Componentes eléctricos y electrónicos (*)

(*) Por favor contacte con nuestro centro de servicio para desechar cualquier componente electrónico o eléctrico.

INHALTSVERZEICHNIS

EINFÜHRUNG	67
ANLEITUNGSINHALT UND ZWECK	67
WO DIESE ANLEITUNG AUFZUBEWAHREN IST	67
KONFORMITÄTSERKLÄRUNG	67
ERSATZTEILE UND INSTANDHALTUNG.....	67
ÄNDERUNGEN UND VERBESSERUNGEN	67
ANWENDUNGSBEREICH.....	67
MASCHINENIDENTIFIKATIONSDATEN	67
TRANSPORT UND VERPACKUNG.....	67
 SICHERHEIT	 68
SYMBOLS IN DER BETRIEBSANLEITUNG.....	68
ALLGEMEINE SICHERHEITSHINWEISE	68
 MASCHINENBESCHREIBUNG.....	 70
MACHINENSTRUKTUR.....	70
BEDIENFELD	71
LED BILDSCHIRMANZEIGEINFORMATIONEN	71
ANZEIGEFENSTER DER LADEANZEIGELEUCHTE	71
TECHNISCHE ANGABEN	72
SCHALTPLAN	73
 BETRIEBSANLEITUNG.....	 75
NEUE BATTERIEN INSTALLIEREN UND EINSTELLEN	75
BATTERIEINSTALLATION UND EINSTELLUNG DES BATTERIETYP (NASS ODER GEL/AMG)	75
NOTBREMSUNG.....	77
BÜRSTE/KISSEN EINBAU UND AUSBAU	77
DAS ABZIEHGUMMI NIVELLIEREN	78
AUFFÜLLEN DES LÖSUNGSMITTELTANKS	78
MASCHINE START UND STOP.....	79
MASCHINENBETRIEB (SCHEUERN UND TROCKNEN)	80
TANKENTLEERUNG	81
NACH DER MASCHINENBENUTZUNG.....	81
MASCHINE BEI LANGEM NICHTGEBRAUCH	81
ERSTGEBRAUCH	82
 INSTANDHALTUNG.....	 82
WARTUNGSZEITPLANTABELLE	82
DIE BATTERIEN LADEN	82
REINIGUNG DER BÜRSTE/PAD	83
SÄUBERN DES LÖSUNGSMITTELFILTERS	84
REINIGUNG DES ABZIEHGUMMIS.....	84
ÜBERPRÜFUNG UND AUSTAUSCH DES ABZIEHGUMMIBLATTS	84
REINIGUNG DES TANK- UND VAKUUMGITTERS MIT SCHWIMMER UND ÜBERPRÜFUNG DER DECKELDICHUNG	85
PRÜFUNG/AUSTAUSCH DER SICHERUNG	86
ZUBEHÖR/OPTIONEN	86
 FEHLERBEHEBUNG	 86
ENTSORGUNG	88

EINFÜHRUNG



ANMERKUNG

Die Ziffern in Klammern entsprechen den Komponenten im Kapitel Maschinenbeschreibung.

ANLEITUNGSINHALT UND ZWECK

Diese Betriebsanleitung stellt dem Bediener alle notwendigen Informationen bereit, um die Maschine ordnungsgemäß und sicher zu betreiben. Sie enthält Informationen zu technischen Daten, Sicherheit, Betrieb, Lagerung, Wartung, Ersatzteilen und Entsorgung.

Vor jeglichem Maschineneinsatz muss der Bediener, auch wenn er ein qualifizierter Techniker ist, diese Anleitung sorgfältig lesen. Wenden Sie sich an unser Unternehmen, wenn Sie bezüglich dieser Anleitung Fragen haben oder weitere Informationen benötigen.

Die Bediener dürfen keine Maßnahmen ergreifen, die von qualifizierten Technikern vorzunehmen sind. Unser Unternehmen ist für Schäden durch die Nichtbeachtung dieses Verbots nicht verantwortlich.

WO DIESE ANLEITUNG AUFZUBEWAHREN IST

Diese Anleitung muss in Maschinennähe in einem geeigneten Fach und geschützt vor Flüssigkeiten und anderen Substanzen, die sie beschädigen könnten, aufbewahrt werden.

KONFORMITÄTSERKLÄRUNG

Die Konformitätserklärung wird mit der Maschine geliefert und zertifiziert, dass die Maschine den geltenden gesetzlichen Vorschriften entspricht.



ANMERKUNG

Die Kopien der ursprünglichen Konformitätserklärung werden zusammen mit den Maschinenunterlagen zur Verfügung gestellt.

ERSATZTEILE UND INSTANDHALTUNG

Alle notwendigen Betriebs-, Wartungs- und Reparaturmaßnahmen dürfen nur von qualifiziertem Personal oder dem Service-Center unseres Unternehmens durchgeführt werden. NUR genehmigte Ersatz- und Zubehörteile dürfen verwendet werden.

Kontaktieren Sie den Kundendienst unseres Unternehmens, wenn Sie eine Dienstleistung benötigen oder Zubehör- bzw. Ersatzteile erwerben möchten.

ÄNDERUNGEN UND VERBESSERUNGEN

Wir verpflichten uns der kontinuierliche Verbesserung unserer Produkte und behalten uns als Unternehmen das Recht vor, Änderungen und Verbesserungen an den Maschinen ohne Vorankündigung vorzunehmen.

ANWENDUNGSBEREICH

Die Scheuersaugmaschine ist für gewerbliche und industrielle Zwecke vorgesehen. Sie eignet sich für die Reinigung von glatten und festen Böden und muss von qualifiziertem Personal unter Beachtung aller Sicherheitsanweisungen betrieben werden. Sie eignet sich nicht für Reinigungsarbeiten in Außenbereichen oder Teppichen und rauen Böden.

MASCHINENIDENTIFIKATIONSDATEN

Seriennummer und Modellname der Maschine befinden sich auf der Serien-Kennzeichnung.

Diese Information ist nützlich. Verwenden Sie die folgende Tabelle, um die Maschinenidentifizierungsdaten zu notieren, wenn Ersatzteile für die Maschine erforderlich sind.

MACHINENMODELL.....
MACHINENSERIENNUMMER.....

TRANSPORT UND VERPACKUNG

Überprüfen Sie bei Lieferung, dass Verpackung und Gerät vollständig und unbeschädigt sind. Informieren Sie den Lieferanten vor der Warenannahme über die Schäden und behalten Sie sich das Recht eines Schadensersatzes vor. Folgen Sie beim Auspacken der Maschine strikt Anweisungen auf der Verpackung.

Überprüfen Sie die Verpackung, um sicherzustellen, dass folgende Artikel enthalten sind:

1. Technische Unterlagen, einschliesslich des Benutzerhandbuchs und des Handbuchs zum eingebauten Ladegerät, wenn es mit diesem ausgestattet ist.
2. Ladekabel, wenn es mit dem eingebauten Ladegerät ausgestattet ist.

SICHERHEIT

Die folgenden Symbole zeigen gefährliche Situationen an. Lesen Sie diese Informationen immer sorgfältig durch und treffen Sie alle erforderlichen Vorkehrungen, um Personen und Eigentum zu schützen.

SYMBOLE IN DER BETRIEBSANLEITUNG



GEFAHR!

Es weist auf eine gefährliche Situation mit Sterberisiko für den Betreiber hin.



WARNUNG!

Es weist auf eine mögliche Verletzungsgefahr für Personen hin.



VORSICHT!

Es weist auf eine Vorsichtsmaßnahme oder eine Anmerkung bezüglich wichtiger oder nützlicher Funktionen hin.

Beachten Sie die mit diesem Symbol gekennzeichneten Absätze.



ANMERKUNG

Es weist auf einen Hinweis bezüglich wichtiger oder nützlicher Funktionen hin.



NACHSCHLAGEN

Es weist auf die Notwendigkeit hin, vor sämtlichen Maschineneinsätzen in der Betriebsanleitung nachzuschlagen.

ALLGEMEINE SICHERHEITSHINWEISE

Spezifische Warnungen und Hinweise über mögliche Maschinen- und Personenschäden sind unten angegeben.



GEFAHR!

- Diese Maschine darf nur von ausgebildetem und autorisiertem Personal nach den Leitlinien des Handbuchs bedient werden.
- Vor der Durchführung von Reinigungs, Wartungs, Reparatur oder Austauschmaßnahmen alle Anweisungen sorgfältig lesen und gewährleisten, dass die Maschine ausgeschaltet und der Batteriestecker gezogen ist.
- Die Maschine nicht in der Nähe giftiger, gefährlicher, brennbarer und/oder explosiver Pulver, Flüssigkeiten oder Dämpfe betreiben. Diese Maschine ist nicht geeignet zum Sammeln gefährlicher Pulver.
- Tragen Sie beim Arbeiten in der Nähe von elektrischen Komponenten keine Schmuckstücke.
- Nicht unter dem angehobenen Maschine ohne diese durch die Sicherheitsständer abzustützen.
- Bleibatterien (NASS) können bei normaler Verwendung entzündliches Gas emittieren. Funken, Flammen, rauchende Artikel sowie strahlenden, leuchtenden und brennende Gegenstände von den Batterien fernhalten.
- Werden Bleibatterien (NASS) geladen, könnten sie explosives Wasserstoffgas emittieren. Die Ladeumgebung muss daher gut belüftet und frei von offenen Flammen sein.



WARNUNG!

- Die Maschine muss vor jedem Gebrauch sorgfältig untersucht werden. Vor Gebrauch sicherstellen, dass alle Komponenten ordnungsgemäß montiert wurden. Ansonsten besteht die Gefahr von Maschinen- und Personenschäden.

- Vor der Verwendung des Batterie-Ladegeräts sicherstellen, dass die Frequenz und Spannungswerte auf dem Etikett der Seriennummer mit dem Netzstrom übereinstimmen.
- Das Gerät darf keinesfalls durch Ziehen am Batterie-Ladekabel bewegt werden. Das Kabel darf nicht durch eine geschlossene Tür geführt oder um scharfe Kanten oder Ecken verlaufen. Fahren Sie mit der Maschine nicht über das Batterie-Ladekabel. Das Batterie-Ladekabel von heißen Oberflächen fernhalten. Die Batterien nicht aufladen, wenn das Batterie-Ladekabel oder der Stecker beschädigt sind.
- Nach Gebrauch zur Verringerung der Brand, Stromschlag und Verletzungsgefahr sicherstellen, dass die Maschine ausgeschaltet ist.
- Die Maschine muss in Innenbereichen und unter trockenen Verhältnissen verwendet und gelagert werden. Sie ist nicht für Außenbereiche konzipiert.
- Die Lager und Betriebstemperatur der Maschine liegt zwischen 0 °C und +40 °C. Die Luftfeuchtigkeit muss zwischen 30% - 95% liegen.
- Verwenden Sie die Maschine nicht an Hängen mit einer Steigung, die die Angaben in den Spezifikationen überschreitet.
- Bei der Verwendung und Handhabung von Bodenreinigungsmitteln die Anweisungen auf den Etiketten der Flaschen beachten und geeigneter Schutzhandschuhe tragen und Schutzmaßnahmen einhalten.
- Verwenden Sie im Lieferumfang enthaltene oder in der Betriebsanleitung angegebene Bürsten und Kissen. Die Verwendung anderer Bürsten oder Kissen könnte die Sicherheit reduzieren.
- Stellen Sie bei Fehlfunktionen der Maschine sicher, dass diese nicht auf einen Mangel an Wartung zurückzuführen sind. Fordern Sie falls erforderlich Unterstützung durch autorisiertes Personal oder von unserem autorisiertem Service-Center an.
- Treffen Sie alle erforderlichen Vorsichtsmaßnahmen, damit sich Haare, Schmuck und lose Kleidung nicht in den beweglichen Teilen der Maschine verfängt.
- Verwenden Sie die Maschine nicht in besonders staubiger Umgebung. Die Maschine darf nicht direkt mit Wasser oder einem Wasserstrahl oder korrosiven Substanzen gereinigt werden.
- Nicht an Regale oder Gerüste stoßen, vor allem, wo ein Risiko von herabfallenden Gegenständen ausgeht.
- Flüssigkeitsbehälter nicht an die Maschine lehnen. Entsprechende Halterungen verwenden.
- Um eine Beschädigung des Boden zu vermeiden, Bürste/Kissen nicht betreiben, während die Maschine stillsteht.
- Im Brandfall einen trockenen Pulver-Feuerlöscher verwenden. Verwenden Sie keine Flüssig-Feuerlöscher.
- Die Maschinenetiketten dürfen nicht entfernt oder modifiziert werden.
- Die Schutzeinrichtungen der Maschine dürfen nicht manipuliert werden. Die normalen Wartungsanweisungen müssen gewissenhaft befolgt werden.
- Achten Sie während des Maschinentransports auf Temperaturen unter dem Gefrierpunkt. Das Wasser im Schmutzwassertank und den Schläuchen könnte gefrieren und schwere Maschinenschäden verursachen.
- Wenn Ersatzteile ersetzt werden müssen, nur Original-Ersatzteile von einem autorisierten Händler oder Einzelhändler bestellen.
- Geben Sie die Maschine in das Service-Center, wenn sie nicht wie gewohnt funktioniert, beschädigt ist, im Freien stand oder in Wasser gefallen ist.
- Um den ordnungsgemäßen und sicheren Maschinenbetrieb zu gewährleisten muss die im entsprechenden Kapitel dieses Handbuchs geplante Wartung von autorisiertem Personal oder einem einem autorisierten Service-Center durchgeführt werden.
- Die Maschine muss ordnungsgemäß entsorgt werden, da sie toxische Schadstoffe (Batterien usw.) enthält, die eine Entsorgung in speziellen Zentren erforderlich machen (siehe Kapitel Entsorgung).
- Diese Maschine ist ein Reinigungswerkzeug, das nicht für andere Zwecke verwendet werden darf.
- Halten Sie die Öffnungen frei von Staub, Haare und alle anderen Fremdkörper, damit der Luftstrom nicht beeinträchtigt wird. Das Gerät bei verstopften Öffnungen nicht verwenden.
- Verwenden Sie die Maschine nur bei angemessener Beleuchtung.
- Dieses Gerät ist nicht für die Verwendung durch Personen (einschließlich Kinder) mit eingeschränkten körperlichen, sensorischen oder mentalen Fähigkeiten oder Mangel an Kenntnis und Wissen vorgesehen, es sei denn, eine für deren Sicherheit verantwortliche Person hat für Aufsicht oder Erläuterung die Verwendung des Geräts betreffend gesorgt.
- Wenn ein Gerät von oder nahe Kindern verwendet wird, ist strenge Aufsicht erforderlich.
- Kinder sollten beaufsichtigt werden, um sicherzustellen, dass sie nicht mit dem Gerät spielen.
- Während des Maschinenbetriebs muss darauf geachtet werden, keine Personen zu verletzen und keine Gegenstände zu beschädigen.

MASCHINENBESCHREIBUNG

MACHINENSTRUKTUR (wie in Abbildung 1 dargestellt)

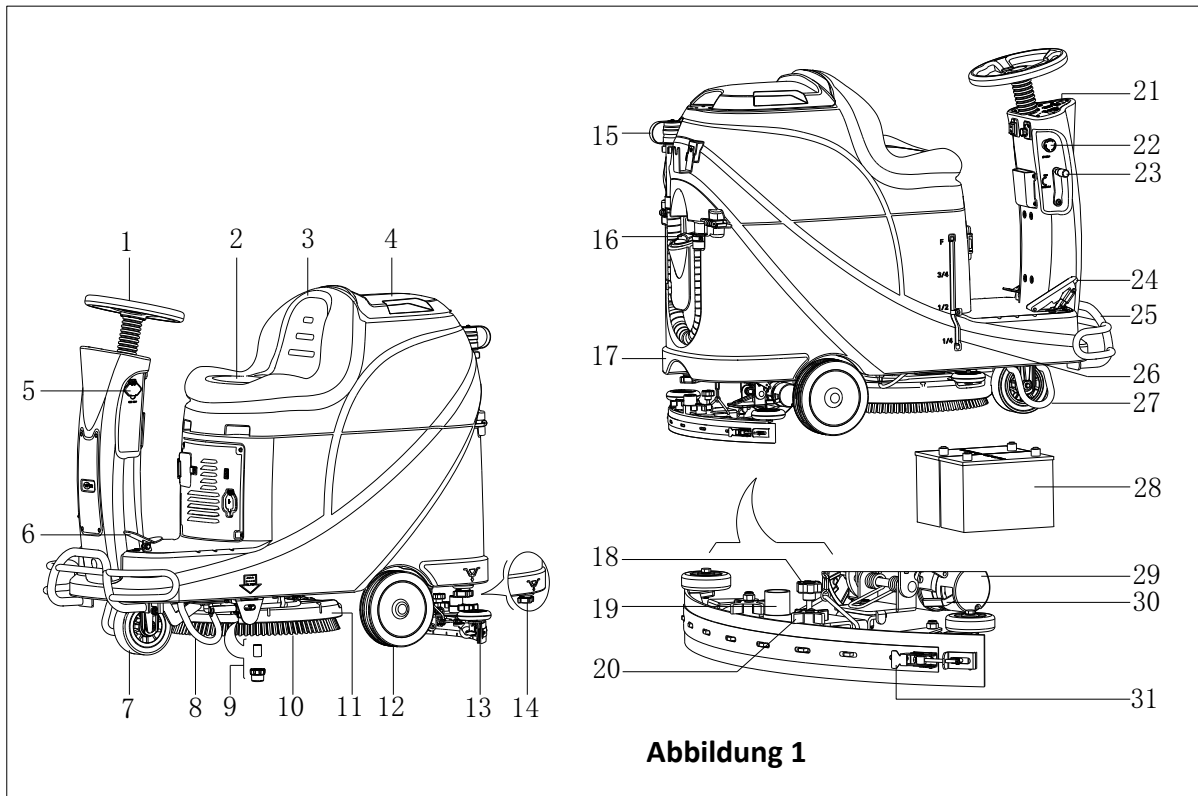


Abbildung 1

- | | |
|-----------------------------------|--|
| 1. Lenkrad | 17. Lösungstank |
| 2. Sitzkissen | 18. Abziehgummi Einstellknopf |
| 3. Schmutzwasserbehälter | 19. Vakuumschlauch |
| 4. Schmutzwasserbehälterabdeckung | 20. Abziehgummiknopf |
| 5. USB Aufladen Port | 21. Bedienfläche |
| 6. Pedal | 22. Notschalter |
| 7. Vorderrad | 23. Abziehgummi Anheben/Absenken Hebel |
| 8. Linker Stützbügel | 24. Beschleunigungspedal |
| 9. Lösungsmittelfilter | 25. Vorderer Prallschutz |
| 10. Bürste | 26. Lösungsmittelstandanzeiger |
| 11. Bürstendeck | 27. Rechter Stützbügel |
| 12. Hinterrad | 28. Batterie |
| 13. Abziehgummi-Zusammenbau | 29. Antriebsmotor |
| 14. Lösungsmittelablauf-Abdeckung | 30. Bremsblockbügel |
| 15. Schmutzwasserablaufschlauch | 31. Abziehgummiklammer |
| 16. Wassereingang-Abdeckung | |

MASCHINENBESCHREIBUNG

BEDIENFELD (wie in Abbildung 2 dargestellt)

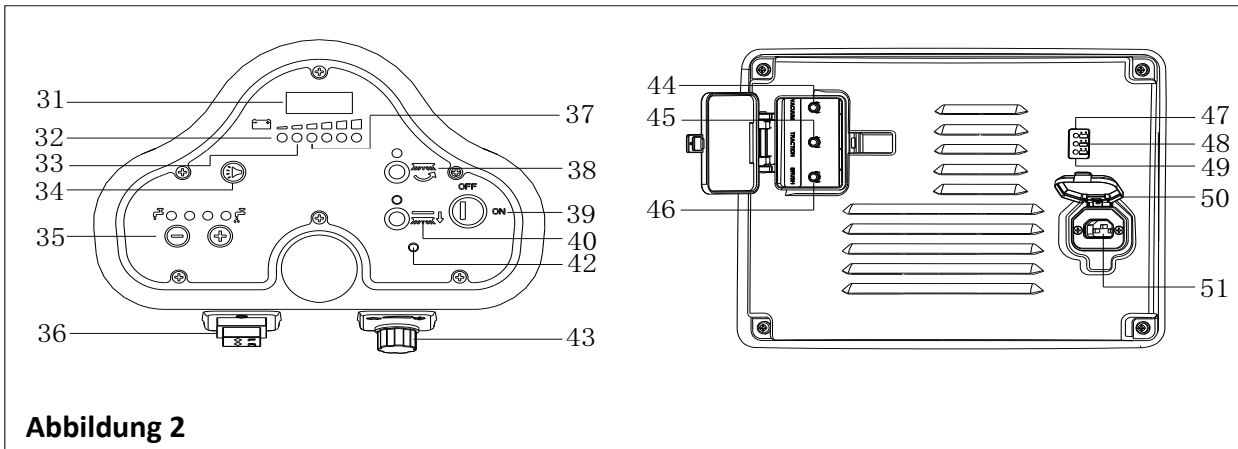


Abbildung 2

- | | |
|---|---|
| 31. LED Bildschirm | 42. Antriebsmotor Störungsleuchte |
| 32. Entleerte Batterie Warnleuchte (Rot) | 43. Geschwindigkeit Einstellknopf |
| 33. Halbleere Batterie Warnleuchte (Gelb) | 44. Vakuummotor Überlastungsschutz |
| 34. Hupentaste | 45. Antriebsmotor Überlastungsschutz |
| 35. Lösungsmittelvolumeneinstelltaste | 46. Bürstenmotor Überlastungsschutz |
| 36. Vorwärts-Rückwärtsschalter | 47. Batterie Vollladungsanzeiger (Grün) |
| 37. Batterie entladen Anzeige (Grün) | 48. Halbleere Batterieanzeiger (Gelb) |
| 38. Bürstentaste | 49. Batterieladestandanzeiger (Rot) |
| 39. Ein/Aus-Schlüsselschalter | 50. Ladegerätsteckerabdeckung |
| 40. Bürsten Auswurf-taste | 51. Ladegerätstecker |

LED BILDSCHIRMANZEIGEINFORMATIONEN

STOP– Maschine bewegt sich nicht, Bürsten arbeiten nicht, aber der Vakuummotor kann arbeiten

(00012.3) –Gesamtarbeitsstunden der Maschine sind 12,3 Stunden

L0-(18) – Batteriespannung unter 18 V

U-(25.5) – Batteriespannung ist 25,5 V

ERR-01 –Abstreifgummi nicht angehoben, beim Rückwärtsfahren

ANZEIGEFENSTER DER LADEANZEIGELEUCHE (wie in Abbildung 2 dargestellt)

1. Zum Anfang des Aufladens, die rote LED (49) des Ladegeräts leuchtet normalerweise. Dies ist der erste Teil des Ladevorgangs.
2. Nach einer gewissen Aufladezeit schaltet sich das rote LED (49) am Ladegerät aus, das gelbeLED (48) leuchtet auf, dies ist der zweite Teil des Aufladens.
3. Wenn das Aufladen beendet ist, schaltet sich das gelbe LED (48) aus, das grüne LED (47) leuchtet auf, um den vollen Ladestand der Batterie anzuzeigen.



HINWEIS

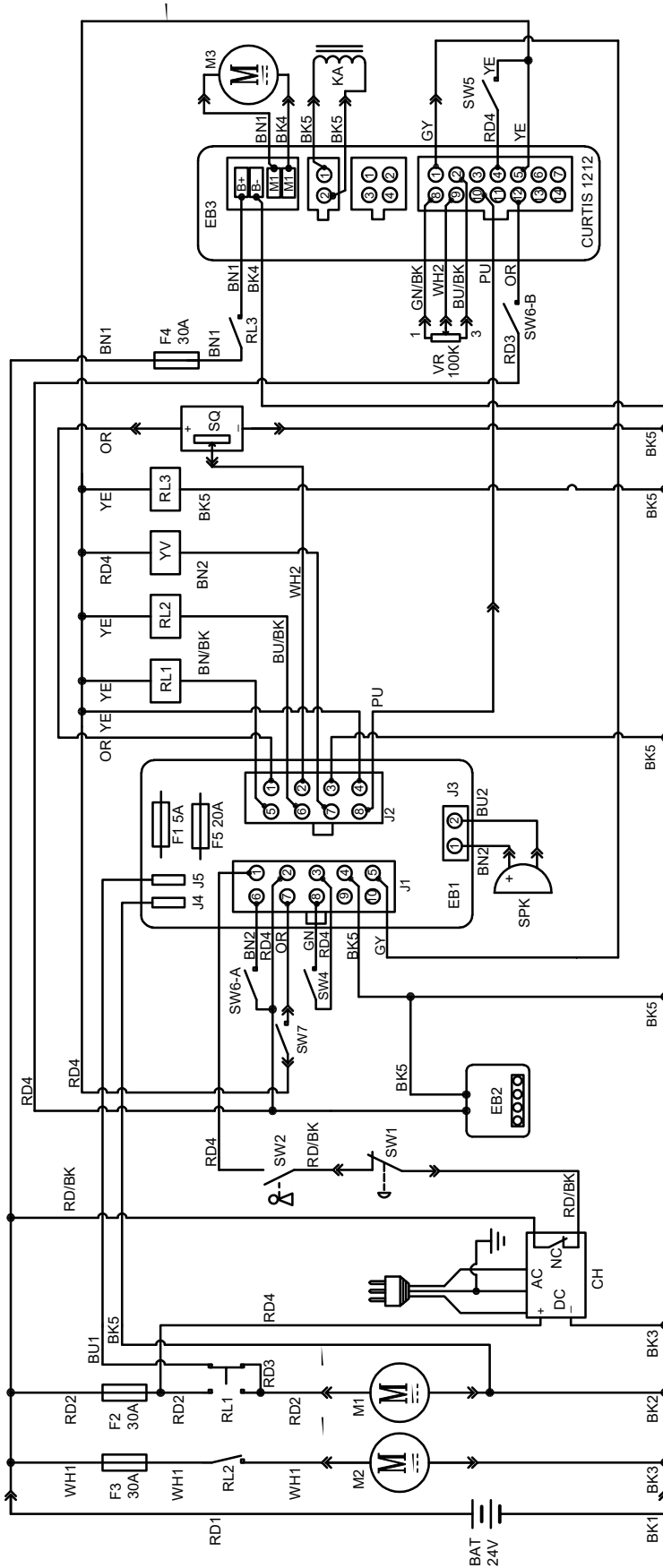
Falls das gelbe LED (48) im Verlauf des Aufladens aufleuchtet, kann dies verursacht sein durch: Batterie und Ladegerät stimmen nicht überein, die Batterie ist nicht richtig verbunden, oder es gibt einen Kurzschluss am Ausgang.

Die rote Leuchte des Ladegeräts kann wegen eines internen Kurzschlusses des Ladegeräts aufleuchten.

TECHNISCHE ANGABEN

MODELL	AS530R	
Verpackungsabmessungen (L x B x H)	mm	1470 x 730 x 1310
Maschinenhöhe	mm	1120
Maschinenlänge	mm	1360
Maschinenbreite (ohne Abziehgummi)	mm	580
Maschinengewicht mit leeren Tanks (ohne Akkus)	Kg	140
Bruttogewicht Fahrzeug (zGG)	Kg	270
Versandgewicht:	Kg	245
Volumen Lösungsmitteltank	Liter	72
Volumen Schmutzwasserbehälter	Liter	73
Leistung Vakuummotor	Watt	400
Vakuum-Kapazität	mm H ₂ O	1223
Steigfähigkeit (Max)	%	10
Vorderraddurchmesser	mm	φ175
Hinterraddurchmesser	mm	φ230
Schallpegel	dB(A)	69
Lösungsmittel/Wasserdurchfluss	L/min	0,84-2,0
Arbeitsbreite	mm	530
Breite Abziehgummi	mm	730
Bürsten-/Pad-Durchmesser	mm	530
Bürstenmotorleistung	Watt	450
Bürsten-Drehzahl	Rpm	160
Bürsten-/Pad-Druck	Kg	23
Motorantriebsleistung	Watt	300W
Arbeitsgeschwindigkeit	Km/h	5,5km/h
Spannung	V	24V
Akku (Option)	Ah	2x100Ah (20 Stunden)
Akkuladegerät (Option)	V/A	24V 10A
Größe Akkufach (L x B x H)	mm	350*380*300
USB Ladeangaben	V/A	5V, 0,8A

SCHALTPLAN



WIRE ROD	
RD1	RED/6AWG
RD2	RED/10AWG
RD3	RED/18AWG
RD4	RED/20AWG
RD/BK	RED/BLACK / 20AWG
BK1	BLACK/6AWG
BK2	BLACK/10AWG
BK3	BLACK/12AWG
BK4	BLACK/14AWG
BK5	BLACK/18AWG
BN1	BROWN/14AWG
BN2	BROWN/20AWG
BN/BK	BROWN/BLACK / 20AWG
BU1	BLUE/18AWG
BU2	BLUE/20AWG
BU/BK	BLUE/BLACK / 20AWG
GN	GREEN/20AWG
GN/BK	GREEN/BLACK /20AWG
GY	GRAY/20AWG
PU	PURPLE/20AWG
OR	ORANGE/20AWG
YE	YELLOW/20AWG
WH1	WHITE/12AWG
WH2	WHITE/20AWG

COMPONENTS	
BAT	24V BATTERIES
CH	BATTERY CHARGER
EB1	CONTROL PANEL BOARD
EB2	USB CHARGING ELECTRONIC BOARD
EB3	DRIVE ELECTRONIC BOARD
RL1	BRUSH MOEOR ELECTROM SWITCH
RL2	VACUUM MOEOR ELECTROM SWITCH
RL3	DRIVE SYSTEM ELECTROM SWITCH
YV	WATER ELECTROVALVE
F1	CONTROL PANEL BOARD FUSE
F2	BRUSH MOTOR CIRCUIT BREAKER
F3	VACUUM MOTOR CIRCUIT BREAKER
F4	DRIVE SYSTEM CIRCUIT BREAKER
F5	BRUSH RELEASE FUSE
KA	BRAKE
M1	BRUSH MOTOR
M2	VACUUM MOTOR
M3	DRIVE MOTOR
SW1	EMERGENCY-STOP SWITCH
SW2	KEY SWITCH
SW4	VACUUM MOTOR SWITCH
SW5	OPTIONAL MODE SWITCH
SW6-A	OPTIONAL REVERSE SWITCH
SW6-B	OPTIONAL REVERSE SWITCH
SW7	SEAT SWITCH
SQ	FOOT THROTTLE
SPK	12VDC BUZZER
VR	SPEED POTENTIOMETER

BAUTEIL		BAUTEIL	
BAT	24V BATTERIEN	M1	BÜRSTENMOTOR
CH	BATTERIELADEGERÄT	M2	VAKUUMMOTOR
EB1	BEDIENFLÄCHETADEL	M3	ANTRIEBSMOTOR
EB2	USB AUFLADEN ELEKTRONIKTAFEL	SW1	NOTSCHALTER
EB3	ANTRIEB ELEKTRONIKTAFEL	SW2	SCHLÜSSELSCHALTER
RL1	ELEKTROMAGNETSCHALTER BÜRSTENMOTOR		
RL2	ELEKTROMAGNETSCHALTER VAKUUMMOTOR	SW4	VAKUUMMOTORSCHALTER
RL3	ELEKTROMAGNETSCHALTER ANTRIEBSSYSTEM	SW5	OPTION MODUS-SCHALTER
YV	ELEKTROVENTIL WASSER	SW6-A	OPTION RÜCKWÄRTSSCHALTER
F1	BEDIENFLÄCHETADEL SICHERUNG FUUSE	SW6-B	OPTION RÜCKWÄRTSSCHALTER
F2	BÜRSTENMOTOR SCHUTZSCHALTER	SW7	SITZSCHALTER
F3	VAKUUMMOTOR SCHUTZSCHALTER	SQ	FUSSDROSSELKLAPPE
F4	ANTRIEBSSYSTEM SCHUTZSCHALTER	SPK	12VDC SUMMER
F5	BÜRSTENAUSWURF SICHERUNG	VR	GESCHWINDIGKEIT POTENTIOMETER
KA	BREMSE		

WALZDRAHT		WALZDRAHT	
RD1	ROT/6AWG	BN/BK	BRAUN/SCHWARZ/20AWG
RD2	ROT/10AWG	BU1	BLAU/18AWG
RD3	ROT/18AWG	BU2	BLAU/20AWG
RD4	ROT/20AWG	BU/BK	BLAU/SCHWARZ/20 AWG
RD/BK	ROT/SCHWARZ/20AWG	GN	GRÜN/20AWG
BK1	SCHWARZ/6AWG	GN/BK	GRÜN/SCHWARZ/20AWG
BK2	SCHWARZ/10AWG	GY	GRAU/20AWG
BK3	SCHWARZ/12AWG	PU	VIOLETT/20AWG
BK4	SCHWARZ/14AWG	OR	ORANGE/20AWG
BK5	SCHWARZ/18AWG	YE	GELB/20AWG
BN1	BRAUN/14AWG	WH1	WEISS/12 AWG
BN2	BRAUN/20AWG	WH2	WEISS/20AWG

BETRIEBSANLEITUNG



WARNUNG!

Geben Sie in diesem Handbuch sehr Acht auf diese Symbole:

- GEFAHR!
- WARNUNG!
- VORSICHT!
- NACHSCHLAGEN

Diese Symbole auf der Maschine dürfen aus keinem Grund verdeckt werden. Sind sie beschädigt, müssen sie umgehend ersetzt werden.

NEUE BATTERIEN INSTALLIEREN UND EINSTELLEN



WARNUNG!

Die elektrischen Komponenten der Maschine können ernsthaft beschädigt werden, wenn die Batterien nicht ordnungsgemäß installiert oder angeschlossen ist.

Die Batterien müssen von qualifizierten Personen eingebaut werden. Stellen Sie das Batterieladegerät (Option) und das Maschinen-PCBA gemäß dem Batterietyp ein (NASS oder GEL/AGM).

Prüfen Sie, ob die Batterie vor dem Einbau beschädigt ist.

Trennen Sie die Batterieverbinding und den Batterieladegerätstecker.

Behandeln Sie die Batterien mit großer Vorsicht.



HINWEIS

Die Maschine benötigt zwei 12V Batterien, Anschluss wie in Abbildung 3.

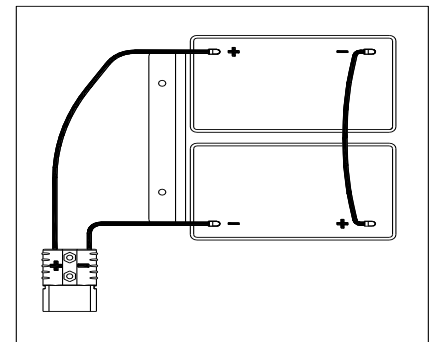


Abbildung 3

Die Maschine kann in einer der folgenden Batterien-Betriebsarten arbeiten:

A) NASS oder GEL/AGM Batterien sind bereits eingebaut und bereit zum Benutzen

1. Prüfen Sie die Batterien und verbinden Sie die Batterieverbinding mit der Maschine.
2. Stecken Sie den Schlüsselschalter ein (40) und drehen Sie ihn auf „Ein“. Falls das grüne Licht (37) leuchtet, zeigt dies einen vollen Ladestand an, falls es gelb oder rot leuchtet (33 oder 32) weist dies daraufhin, dass die Batterien geladen werden müssen.

B) Ohne Batterien

1. Falls Ihre Maschine nicht mit Batterien ausgerüstet ist, kaufen Sie die geeigneten Batterien (Sehen Sie den Abschnitt der Technischen Daten). Qualifizierte Batterienhändler können Ihnen bei der Wahl der Batterien und Installation helfen.
2. Wenn die Batterien eingebaut sind, stellen Sie die Maschine und das Batterieladegerät gemäß dem eingebauten Batterien Typ ein, danach befolgen Sie die Anweisungen des nächsten Abschnitts.

BATTERIEINSTALLATION UND EINSTELLUNG DES BATTERIETYP (NASS ODER GEL/AMG)

Stellen Sie die Elektronik-Platine der Maschine und das Batterieladegerät entsprechend den Batterietypen (NASS oder GEL/AGM) mit folgenden Schritten ein:



HINWEIS

Wenn Sie neue Batterien einbauen, folgen Sie Abbildung 4 zur Einstellung der Kippschalter, sonst können die Batterien durch eine falsche Einstellung beschädigt werden.

Maschineneinstellung

1. Stecken Sie den Schlüsselschalter (40) und drehen Sie ihn auf „EIN“, geben Sie während der ersten Sekunden beim Maschinenstart auf die folgenden Hinweise Acht:
 - Falls die grüne Leuchte (37) blinkt, ist die Maschine eingestellt, um GEL/AGM Batterien zu verwenden.
 - Falls die gelbe Leuchte (33) blinkt, ist die Maschine eingestellt, um Discover EV AGM Batterien zu verwenden.
 - Falls die rote Leuchte (32) blinkt, ist die Maschine eingestellt, um NASS Batterien zu verwenden.
2. Folgen Sie den untenstehenden Schritten, um die Maschineneinstellungen zu ändern.

3. Die Standard Fabrikeinstellung gilt für die Benutzung der Discover EV AGM Batterien. Falls die Einstellung den gewählten Batterien entspricht, gehen Sie direkt zum Schritt 6. Sonst folgen Sie dem nächsten Schritt.
4. Lösen Sie die Schraube (B, Abbildung 4) auf der Bedienfläche, drehen Sie das PCBA (A) auf der Bedienfläche um, um den Kippschalter zu finden (D), folgen Sie der Abbildung 4 zu den Kippschalter-Einstellungen.
5. Verfahren Sie in umgekehrter Reihenfolge, um die Bedienfläche einzubauen und die Schraube nach beendeter Einstellung anzuziehen.

1		NASSE BATTERIEN (HINWEIS: Kippen Sie Pin 1 und Pin 2 des Kippschalters in die Stellung „AUS“)
2		DISCOVER EV AGM BATTERIEN (HINWEIS: Kippen Sie Pin 1 des Kippschalters auf „EIN“, Pin 2 auf „AUS“)
3		ALGGEMEINE GEL/AGM BATTERIEN (HINWEIS: Kippen Sie Pin 1 und Pin 2 des Kippschalters auf „EIN“)

Abbildung 4

Batterien einsetzen

6. Öffnen Sie den Deckel des Schmutzwassertanks (4), vergewissern Sie sich, dass der Schmutzwassertank (3) leer ist oder entleeren Sie ihn über den Ablaufschlauch(15).
7. Schließen Sie den Schmutzwassertankdeckel (4).
8. Drehen Sie den Schmutzwassertank (3) vorsichtig um.
9. Die Maschine ist mit Kabeln ausgestattet, an die 2 12-V-Batterien angeschlossen werden können. Setzen Sie die Batterien vorsichtig und korrekt ausgerichtet in das Fach ein.
10. Verlegen und installieren Sie das Batteriekabel, wie in (Abbildung 3) gezeigt, und ziehen Sie dann vorsichtig die Mutter auf jeder Batterieklemme an.
11. Versehen Sie jede Klemme mit einer Schutzkappe und schließen Sie den Batteriestecker an.
12. Senken Sie den Schmutzwassertank (3) vorsichtig ab.

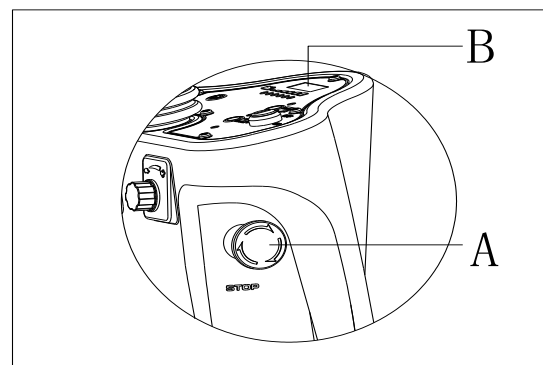


Abbildung 5

Aufladen der Batterien

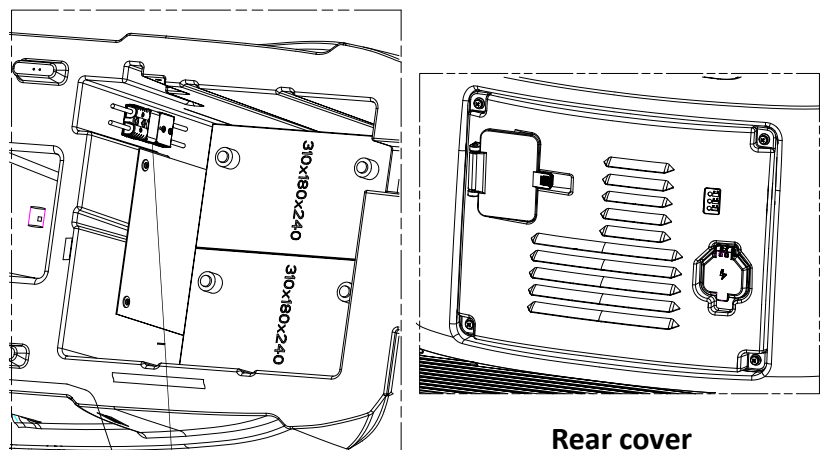
13. Aufladen der Batterien. [Sehen Sie die WARTUNG Anweisungen].

Akkuladeeinstellung (nur für den Maschinenladegerät, falls vorhanden)

Akkuladegerät

Das Ladegerät befindet sich in der hinteren Abdeckung und ist direkt an die Batterien angeschlossen. Das Ladegerät ist mikroprozessorgesteuert und verwendet verschiedene Ladekurven, um im Falle unterschiedlicher Batterietypen optimale Leistung sicherzustellen.

1. Den zu den Batterien führenden Kabelstecker abziehen.
2. Entfernen Sie die hintere Abdeckung.
3. Die 4 Schrauben (B) lösen, und das Ladegerät (A) herausnehmen.



Disconnect the connector

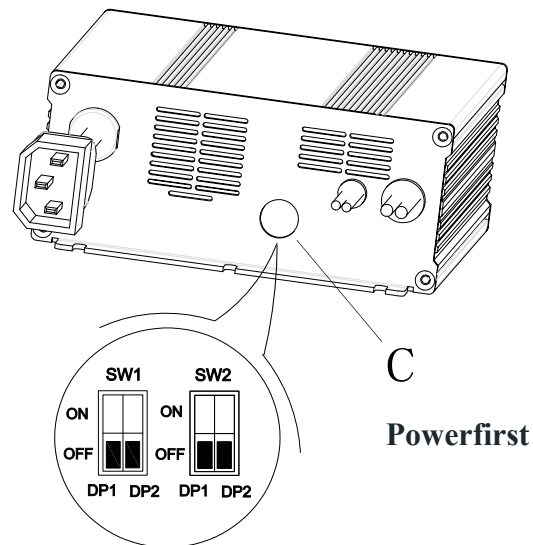
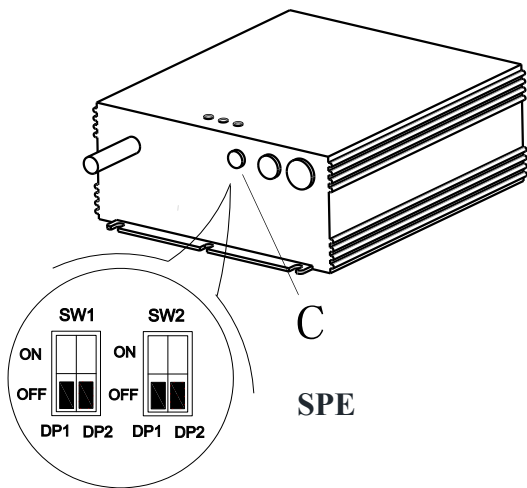
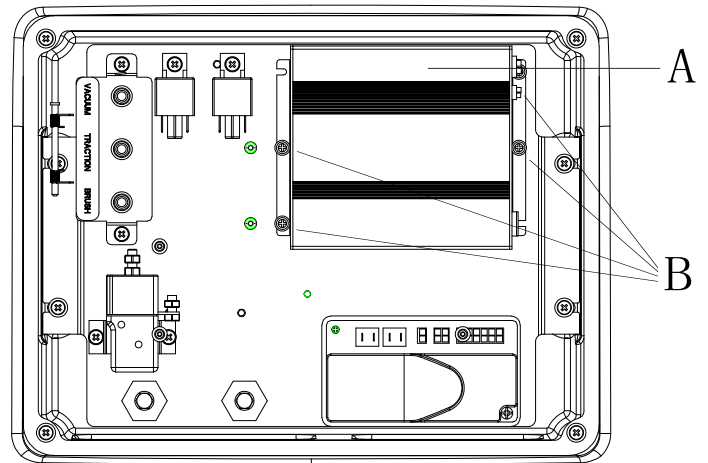
Rear cover

DIP-Schalter Batterie-Typ

Die Funktion des Ladegeräts wird über 4 DIP-Schalter (2 Paare) in der hinteren Abdeckung gesteuert. Die zweiten 2 Schalter sollten niemals berührt werden, es sei denn, das Ladegerät wurde ausgetauscht und ihre Position muss bestätigt werden. Die Batteriespannung (24V) und die maximale Stromstärke (10A) einstellen und sie sollten sich immer in der „Aus“-Stellung befinden.

Die ersten 2 Schalter sind über eine Kunststoffabdeckung erreichbar, ohne dass das Ladegerät geöffnet werden muss. Diese Schalter stellen die Art der Ladekurve ein, die für den jeweiligen Batterietyp verwendet wird. Der Kurventyp bezeichnet die Art und Größe, in der Strom und Spannung während der verschiedenen Phasen des Ladezyklus an die Batterie angelegt werden.

1. Die Kunststoffabdeckung über der Zugangsöffnung (C) zu den DIP-Schaltern abnehmen.
2. Die ersten 2 DIP-Schalter (SW1) gemäß den unten stehenden Tabellendaten einstellen.
3. Die Kunststoffabdeckung wieder aufsetzen.



Curve/Battery Type	SW1		SW2	
	D1	D2	D1	D2
IUIa Wet	On	Off	Off	Off
IUIa Gel Exide	Off	Off		
IUoU AGM	Off	On		
IUIa AGM Discover	On	On		

Curve/Battery Type	SW1		SW2	
	D1	D2	D1	D2
IUIa Wet	On	Off	Off	Off
IUIa Gel Exide	Off	Off		
IUIa AGM	Off	On		
IUIa AGM Discover	On	On		

NOTBREMSUNG

Falls es während des Maschinenbetriebs einen Notfall gibt, drücken Sie den Notschalter (A, Abbildung5), alle Funktionen der Maschine werden gestoppt, es gibt auf der Bedienfläche keine Anzeige (B, Abbildung5)

BÜRSTE/KISSEN EINBAU UND AUSBAU



HINWEIS

Bauen Sie die geeignete Bürste (A, Abbildung 6) oder Kissen (B und C, Abbildung 6) ein, die dem zu säuberndem Flur entspricht.



VORSICHT

Vor dem Einbau oder Ausbau der Bürste oder des Kissens vergewissern Sie sich, dass alle Schalter an der Maschine in der „AUS“-Stellung sind und das Abziehgummi vom Boden abgehoben ist. Der Betreiber muss mit einer geeigneten Schutzkleidung ausgerüstet sein, wie Handschuhe, um das Unfallrisiko zu verringern. Fahren Sie wie folgt fort:

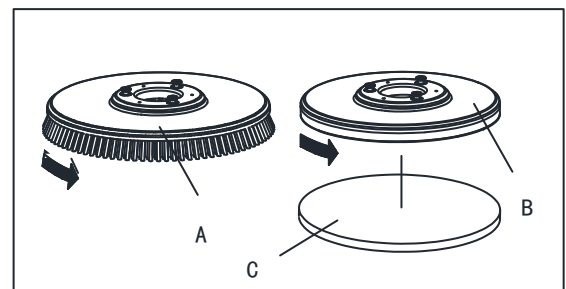


Abbildung 6

1. Stecken Sie den Schlüsselschalter (40) ein und drehen Sie auf „EIN“.
2. Drücken Sie das Pedal (6) mit dem Fuss nach vorne, um den Bürstenzusammenbau (11) vom Boden abzuheben.
3. Drehen Sie den Geschwindigkeit-Einstellungsknauf (42) bis zum Anschlag gegen den Uhrzeigersinn.
4. Stellen Sie die Bürste (A, Abbildung 5) oder Kissen (B, Abbildung 5) zentriert übereinstimmend mit dem Bürstendeck.
5. Drücken Sie das Pedal (6) mit dem Fuss rückwärts, um den Bürstenzusammenbau zu senken (11). Setzen Sie sich auf den Sitz, drücken Sie leicht auf die Bürstentaste (39) und das Pedal (23), die Bürste/das Kissen können automatisch zusammengestellt werden. Wiederholen Sie diese Schritte, bis die Bürste/Kissen eingebaut ist.
6. Falls der Schritt 5 des Einbaus der Bürste/Kissen nicht erfolgreich war, entfernen Sie die Bürste/Kissen per Hand.
7. Drücken Sie das Pedal (6) mit dem Fuss nach vorne, um den Bürstenzusammenbau (11) vom Boden abzuheben, drücken Sie die Bürstenauswurf-taste (41), um den Ausbau automatisch zu beenden.

**VORSICHT!**

Drehen Sie den Geschwindigkeitseinstellungsknauf (42) auf die minimale Geschwindigkeit, bevor Sie das Beschleunigungspedal drücken (6), um ein zu schnelles Laufen der Maschine beim Start zu vermeiden. Vergewissern Sie sich, dass die Bürste/Kissen korrekt eingebaut ist, bevor Sie die Maschine betreiben.

DAS ABZIEHGUMMI NIVELLIEREN

1. Bauen Sie das Abziehgummi (13) ein und ziehen Sie den Abziehgummiknauf fest (20), danach verbinden Sie den Vakuumschlauch (19) mit dem Abziehgummi.
2. Stellen Sie die Raker über den Raker-Einstellgriff (A, Abbildung 7) ein.
 - a) Bei einer Lücke zwischen dem Boden und dem des Heckrakerblatts (B) wird der Knopf (A) gegen den Uhrzeigersinn in Richtung (F) gestellt, bis das gesamte Heckrakerblatt guten Bodenkontakt aufweist und das vordere Blatt den Boden leicht berührt.
 - b) Bei einer Lücke zwischen dem Boden und beiden Blattenden (C und D) wird der Knopf (A) im Uhrzeigersinn in Richtung (E) gestellt, bis beide Heckrakerblattenden guten Bodenkontakt aufweisen und das vordere Blatt den Boden leicht berührt.

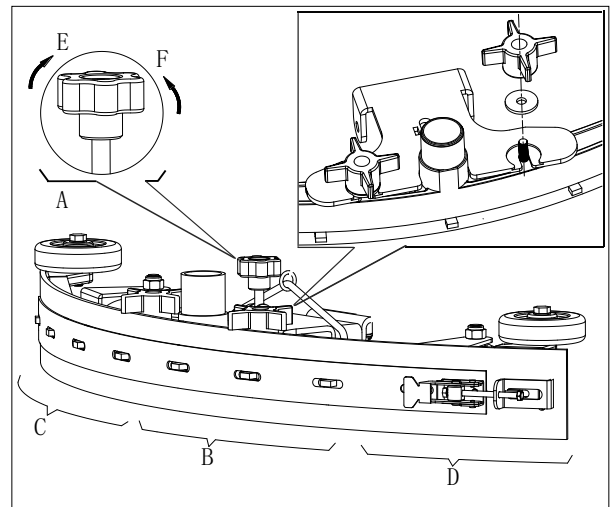


Abbildung 7

AUFFÜLLEN DES LÖSUNGSMITTEL-TANKS

1. Öffnen Sie die Wassereinlassabdeckung (E, Abbildung 8).
2. Füllen Sie für das durchzuführende Arbeitsergebnis mit dem Filter Wasser oder eine geeignete Lösung durch den Wassereinlass ein. Die Temperatur der Lösung darf nicht mehr als +40 °C (+ 104 °F) betragen.
3. Überfüllen Sie den Tank nicht, beziehen Sie sich für das Wasservolumen auf die Wasserstandsanzeige (G).

**WARNUNG!**

Verwenden Sie nur schaumarme und nicht brennbar Reinigungsmittel, die für automatische Scheuersaugmaschinen vorgesehen sind.

Antriebsmotor Überprüfung

1. Drehen Sie den Schlüsselschalter (A, Abbildung 9) in die „EIN“ Stellung.
2. Drücken Sie das Beschleunigungspedal (C) leicht, lassen Sie es los, um zu prüfen, ob sich die Maschine nach vorne steuern lässt und stoppt.
3. Um sich der Sicherheit zu vergewissern, stellen Sie sicher, dass die Maschine durch das Drücken des Notschalters (B) sofort gestoppt wird. Drehen Sie den Notschalter, um ihn wieder einzustellen.

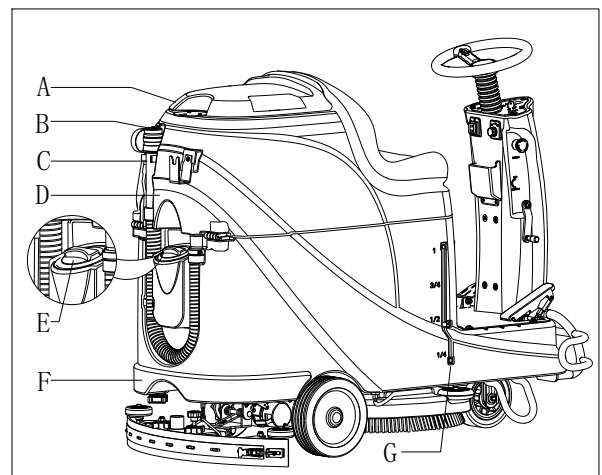


Abbildung 8

**VORSICHT**

Die Steigung darf 10% nicht übersteigen.

**VORSICHT**

Die Bremse des Antriebsmotors ist gelöst, wenn der Motor normal arbeitet, sie sperrt wenn der Motor nicht arbeitet.

- Bremse gelöst -der Bremshebel (D, Abbildung 9) sitzt oben
 - Bremse gesperrt- der Bremshebel liegt niedriger
- In einigen Sonderfällen, wie bei Auspacken/Verpacken, Maschinenstörung, usw. kann es notwendig werden, die Maschine ohne einen arbeitenden Antriebsmotor zu bewegen, stellen Sie per Hand die Bremse in den gelösten Status.

Um etwaige Sicherheitsrisiken zu vermeiden, stellen Sie sicher, dass die Bremse nach der Maschinenbewegung festgestellt ist.

MASCHINE START UND STOP

Anlassen der Maschine

1. Bereiten Sie die Maschine, wie im vorherigen Abschnitt beschrieben, vor.
2. Setzen Sie sich auf den Sitz (L, Abbildung 10), stecken Sie den Schlüsselschalter ein (A) und drehen Sie ihn in die „EIN“ Stellung. Falls das grüne Licht leuchtet (C), ist die Batterie voll geladen und betriebsbereit. Falls das gelbe (E) oder rote Licht leuchtet (D), müssen die Batterien vor dem Einsatz geladen werden. [Sehen Sie WARTUNG zum Aufladen der Batterien]
3. Senken Sie den Abziehgummi-Zusammenbau auf den Flur.

HINWEIS

Vergewissern Sie sich, dass der Abziehgummi-Zusammenbau vom Flur abgehoben ist, bevor Sie die Maschine rückwärts lenken, sonst stoppt die Maschine und der LED Bildschirm zeigt „Fehler“.

4. Senken Sie den Bürsten-Zusammenbau auf den Flur.

HINWEIS

Vergewissern Sie sich, dass die Bürstentaste ausgeschaltet ist, bevor Sie den Bürsten-Zusammenbau anheben, und heben Sie den Bürsten-Zusammenbau an, bevor Sie die Maschine nach vorwärts/rückwärts lenken.

5. Drücken Sie die Bürstentaste (B)
6. Drücken Sie auf das Beschleunigungspedal (R), fahren Sie die Maschine nach vorwärts oder rückwärts mit dem Lenkrad (N) und dem Vorwärts/Rückwärtsschalter (H), Sie können die Geschwindigkeit mit dem Geschwindigkeitsanpassungsknauf (I) anpassen.
7. Passen Sie den Durchfluss des Lösungsmittels den Reinigungsanforderungen mithilfe der Einstellungstaste (G) an.
8. Sie können Ihr Telefon oder Pad mit dem USB Ladeport (M) aufladen, wenn der Schlüsselschalter (A) in der „EIN“ Stellung ist.
9. Drücken Sie die Hupentaste (F), falls es notwendig ist, um Personen zu warnen.
10. Falls notwendig, drücken Sie die Nottaste, um die Maschine in einem Notfall zu stoppen.

HINWEIS

Der Bürstenmotor, Vakuummotor, Antriebsmotor und der Regelkreis sind durch einen Überlastungsschutz geschützt (P). Wenn sich der Überlastungsschutz auslöst, stellen Sie ihn nicht sofort, ohne die Ursache zu kennen, wieder ein und stellen Sie sicher, dass der Motor vor dem Neueinschalten abgekühlt ist.

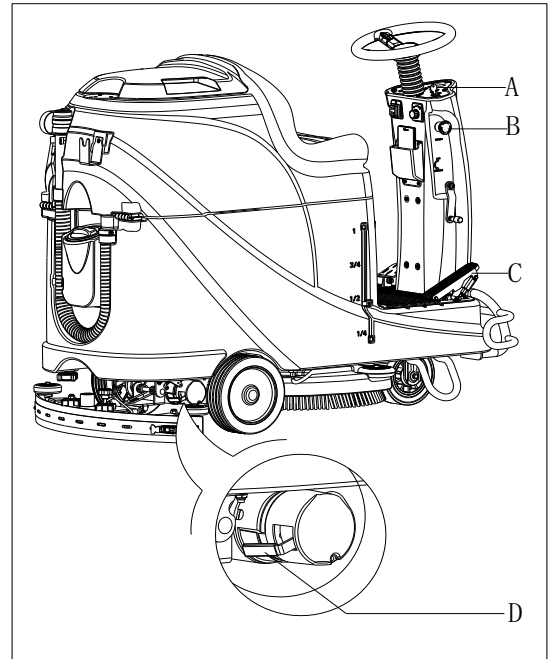


Abbildung 9

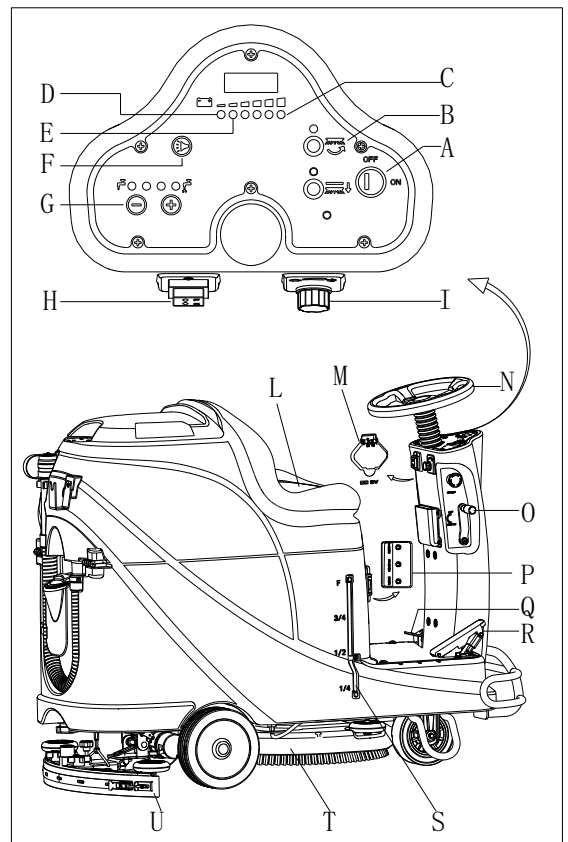


Abbildung 10

Stoppen der Maschine

11. Lassen Sie das Beschleunigungspedal los (R, Abbildung 10), die Maschine hält an.
12. Drücken Sie die Bürstentaste (B), um den Bürstenmotor zu stoppen.
13. Heben Sie den Bürsten-Zusammenbau (T) an, indem Sie auf das Pedal drücken (Q).
14. Heben Sie den Abziehgummi-Zusammenbau (U) an, benutzen Sie den Abziehgummi Heben/Senken-Hebel (O), einige Sekunden später schließt das Vakuumsystem.
15. Drehen Sie den Schlüsselschalter in die „AUS“ Stellung
16. Vergewissern Sie sich, dass die Maschine gestoppt hat.

MASCHINENBETRIEB (SCHEUERN UND TROCKNEN)

1. Starten Sie die Maschine, wie es in den vorherigen Abschnitten beschrieben wurde.
2. Starten Sie mit dem Säubern, indem Sie den Abläufen im Abschnitt „Starten der Maschine“ folgen.
3. Falls notwendig, stoppen Sie die Maschine, um das Abziehgummi anzupassen, gemäß dem Abschnitt „Balance des Abziehgummis anpassen“.



VORSICHT!

Um Schäden an der Fluroberfläche zu vermeiden, schalten Sie den Bürsten/Kissenhalter aus, wenn die Maschine an einem Ort stillsteht.



HINWEIS

Für ein korrektes Scheuern/Trocknen des Flurs an den Seitenwänden, empfehlen wir, dass Sie sich mit der rechten Seite (Abweisrollenseite) der Maschine der Wand, wie in Abbildung 11 unten angezeigt, nähern.

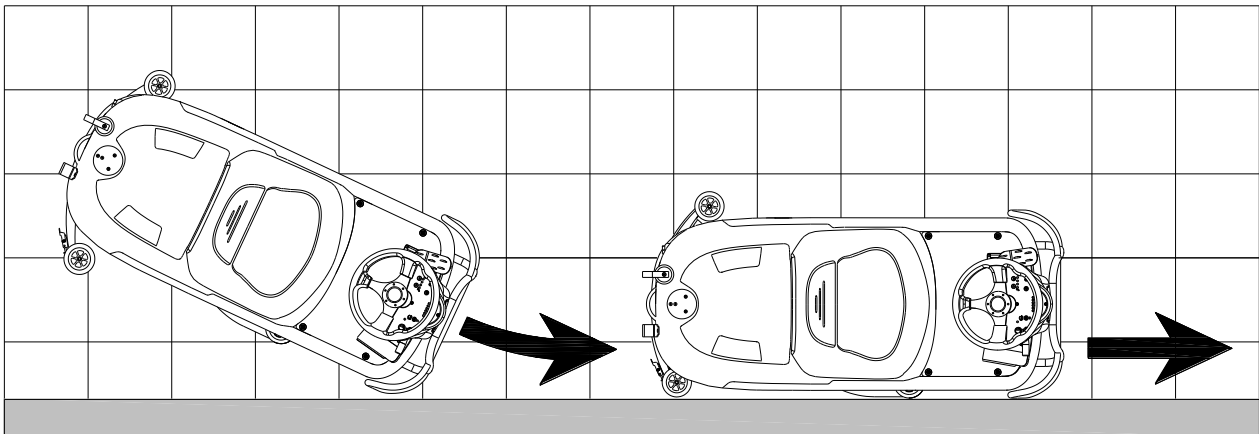


Abbildung 11

Batterie während des Betriebsladen

Wenn das grüne Licht (A, Abbildung 12) leuchtet, haben die Batterien genügend Ladung, damit die Maschine normal arbeitet, wenn alle grünen Lichter ausgeschaltet sind und das gelbe Licht (C, Abbildung 12) leuchtet, sind die Batterien zu schwach, laden Sie bitte die Batterien wenn das rote Licht (B, Abbildung 12) blinkt, die Batterien sind leer, nach einer Verzögerung von wenigen Sekunden schalten sich der Vakuummotor und der Bürstenmotor automatisch ab, fahren Sie bitte die Maschine sofort zum Aufladen.

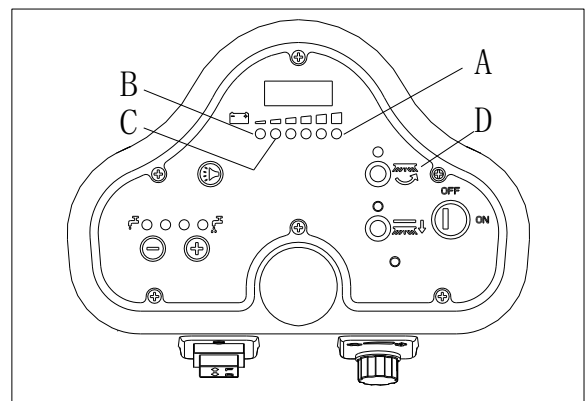


Abbildung 12



VORSICHT!

Zur Vermeidung von Schäden an den Batterien und einer Verkürzung ihrer Nutzungsdauer, benutzen Sie die Maschinen nicht mit schwachen Batterien.

TANKENTLEERUNG

Eine automatische Schwimmerabschaltung (B, Abbildung 13) blockiert das Vakuumsystem, wenn der Schmutzwassertank (C) voll ist. Die Deaktivierung des Vakuumsystems wird durch einen plötzlichen Anstieg der Geräuschfrequenz des Vakuumsystemmotors signalisiert, selbst wenn der Boden noch nicht getrocknet wurde.



VORSICHT!

Wenn das Vakuumsystem versehentlich abgeschaltet wird (z.B., wenn der Schwimmer wegen einer plötzlichen Bewegung der Maschine aktiviert wird), gehen Sie zur Wiederaufnahme des Betriebs wie folgt vor: Schalten Sie das Vakuumsystem durch Drücken des Schalters (D, Abbildung 12) aus, öffnen Sie dann die Abdeckung (A, Abbildung 11) und prüfen Sie, ob der Schwimmer im Inneren des Gitters (B) sich auf Wasserhöhe befindet. Dann schließen Sie die Abdeckung (A) und schalten Sie das Vakuumsystem durch Drücken des Schalters (D, Abbildung 12) ein.

Wenn der Schmutzwassertank (C, Abbildung 13) voll ist, entleeren Sie diesen nach dem folgenden Verfahren.

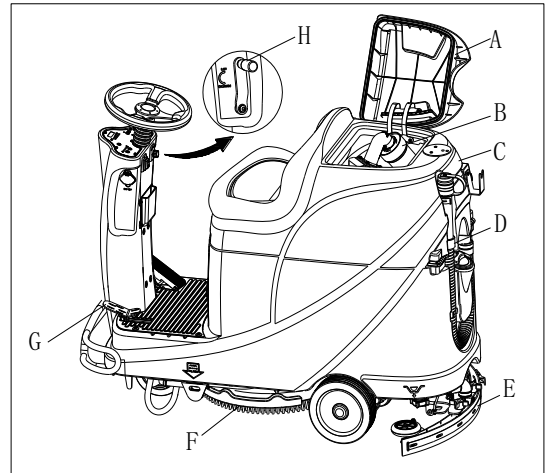


Abbildung 13

Entleeren des Schmutzwassertanks

1. Stoppen Sie die Maschine.
2. Heben Sie das Deck des Bürsten-/Pad-Halters (H, Abbildung 12) an, durch Betätigen des Pedals (G).
3. Heben Sie den Abziehgummi mit dem Hebel (H) an.
4. Fahren Sie die Maschine zu dem vorgesehenen Entsorgungsbereich.
5. Entleeren Sie den Schmutzwassertank mit dem Schlauch (D). Spülen Sie dann den Tank mit sauberem Wasser aus.



VORSICHT!

Beim Ablassen des Schmutzwassers, muss der Ablaufschlauch abgebogen sein (A, Abbildung 14) und in eine niedrige Stellung bewegt werden (B, Abbildung 14), bevor Sie die Ablaufschlauchabdeckung öffnen. Vermeiden Sie, dass der Ausgang des Ablaufschlauches beim Ablassen nach oben zeigt, um zu verhindern, dass der Betreiber vom Schmutzwasser bespritzt wird.

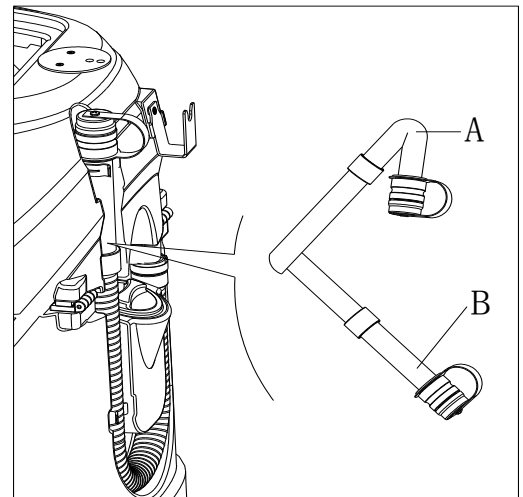


Abbildung 14

Lösungsmittel- / Reinwassertank leeren.

6. Verahren Sie mit den Schritten 1 bis 4 des Abschnitts „Leeren des Schmutzwassertanks“.
7. Leeren Sie den Lösungsmitteltank durch die Ablassabdeckung (A, Abbildung 15). Danach spülen Sie den Tank mit sauberem Wasser.

NACH DER MASCHINENBENUTZUNG

Nach Beendigung, vor dem Verlassen der Maschine:

1. Entfernen Sie die Bürsten-/Pad-Halter.
2. Leeren Sie die Tanks (B und C, Abbildung 15), wie im vorherigen Absatz gezeigt.
3. Führen Sie die täglichen Wartungsarbeiten (siehe Kapitel "Wartung") aus.
4. Lagern Sie die Maschine an einem sauberen und trockenen Ort, mit den Bürsten-/Pad-Haltern sowie dem Abziehgummi in angehobener Position oder abgenommen.

MASCHINE BEI LANGEM NICHTGEBRAUCH

Wenn die Maschine länger als 30 Tage nicht benutzt wird, gehen Sie wie folgt vor:

1. Verahren Sie mit den Abläufen im Abschnitt „NACH MASCHINENBETRIEB“.
2. Trennen Sie die Batterieverbinding (D, Abbildung 15).

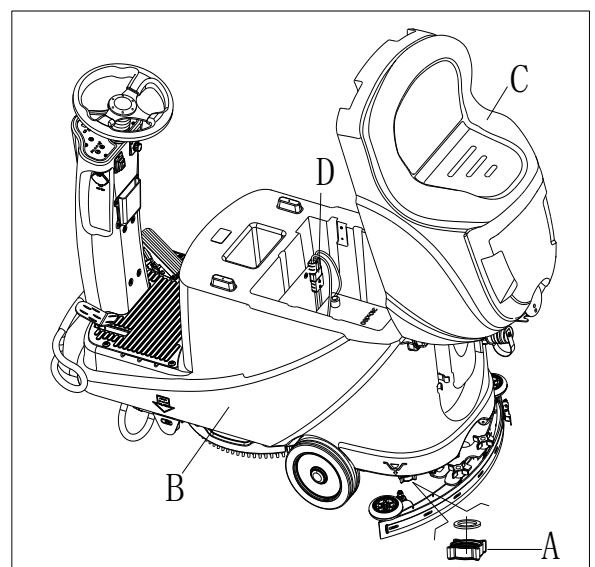


Abbildung 15

ERSTGEBRAUCH

Nach neun Stunden im Erstbetrieb, prüfen Sie auf irgendwelche Schäden oder abnormale Umstände, prüfen Sie alle Verbindungen auf Festsitz.

INSTANDHALTUNG



WARNUNG!

Wartungsarbeiten müssen durchgeführt werden, nachdem die Maschine ausgeschaltet und das Batterie-Ladekabel getrennt ist. Darüber hinaus müssen die Kapitel über Sicherheit in diesem Handbuch sorgfältig gelesen werden.

Alle geplanten oder außerordentlichen Wartungsmaßnahmen müssen von qualifiziertem Personal oder einem Service-Center durchgeführt werden. Dieses Handbuch beschreibt nur die allgemeinen Wartungsverfahren. Wartungsmaßnahmen, die nicht in untenstehender Wartungszeitplantabelle enthalten sind können in der Wartungsanleitung eingesehen werden, die es in jedem Service-Center unseres Unternehmens gibt.

WARTUNGSZEITPLANTABELLE



VORSICHT!

Das (1) gekennzeichnete Verfahren muss durchgeführt werden, nachdem die Maschine die ersten 9 Erstbetriebsstunden gelaufen ist. Das mit (2) gekennzeichnete Verfahren muss vom Service-Center durchgeführt werden, das von unserem Unternehmen autorisiert wird.

Verfahren	Täglich, nach jedem Gebrauch	Wöchentlich	Halbjährlich	Jährlich
Die Batterien laden				
Saugfuß / Sauglippen reinigen				
Reinigung der Bürsten/Kissenhalterung				
Tankreinigung				
Inspektion der Tankdichtleiste				
Reinigung des Schwimmerkugelfilters				
Prüfung und Ersatz des Raketblattes				
Reinwasserfilterreinigung				
Saugfilterreinigung				
Überprüfung des Nassbatterieflüssigkeitsstands			(1)	
Festigkeitsprüfung der Schrauben und Muttern				(2)
Überprüfung oder Austausch der Bürsten-/Kissenhalterungskohlen				(2)
Überprüfung oder Austausch der Saugmotorkohlen				(2)
Überprüfen oder Ersetzen Sie die Karbonbürste des Antriebssystemmotors (nur für Maschinen mit Fahrtrieb)				(2)
Geben Sie Schmieröl an die sich bewegenden Teile			(1)	

DIE BATTERIEN LADEN



ANMERKUNG

Bitte laden Sie die Batterien, wenn die gelbe LED (32) oder rote LED (33) leuchtet bzw. am Ende jedes Einsatzes.



VORSICHT

Wird die Batterie immer in vollständig geladenen Zustand gehalten, kann dies ihre Lebensdauer verlängern.



VORSICHT

Bitte laden Sie die Batterie so bald wie möglich auf, wenn sie einen niedrigen Stand aufweist. Andernfalls kann die Lebensdauer der Batterie verkürzt werden. Die Batterie sollte mindestens einmal pro Woche überprüft werden.

**VORSICHT!**

Seien Sie beim Laden der Batterie besonders vorsichtig, denn es kann Säure beim Aufladen austreten.

Die Batteriesäure ist ätzend, falls sie unbeabsichtigt in Kontakt mit der Haut oder Augen kommt, spülen Sie sofort mit reichlich sauberem Wasser aus und suchen Sie einen Arzt auf.

Vorbereitungsschritte vor dem Aufladen der Batterien

1. Öffnen Sie die Abdeckung des Schmutzwassertanks (B, Abbildung 16), um zu prüfen, ob der Schmutzwassertank (C) leer ist, oder leeren Sie den Schmutzwassertank durch den Ablaufschlauch (A).
2. Fahren Sie die Maschine zum festgelegten Ladeplatz.
3. Drehen Sie den Schlüsselschalter in die Stellung „AUS“.
4. Dieser Schritt gilt nur für NASSE Batterien:
 - Falls nötig, säubern Sie die Batterien Oberfläche.
 - Prüfen Sie den Elektrolytstand der Batterien (D), falls notwendig, öffnen Sie den Deckel, um Elektrolyt aufzufüllen, danach wieder abdecken.
 - Halten Sie den Deckel während des Aufladens geöffnet.
5. Wählen Sie eines der nachstehenden Aufladeverfahren, entsprechend dem gewählten Typ des Ladegeräts.

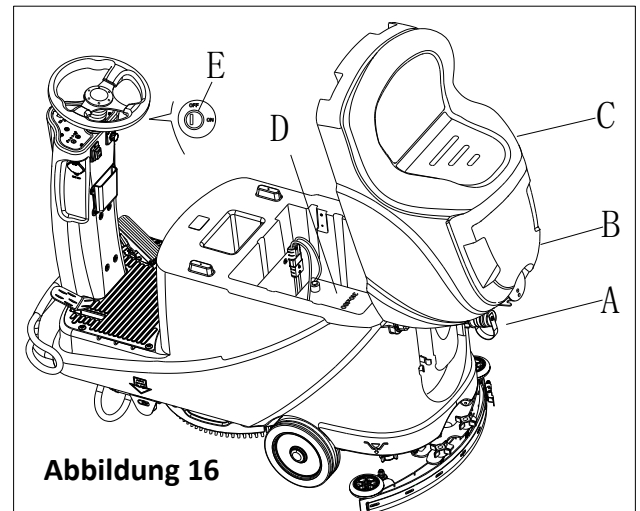


Abbildung 16

Benutzen des eingebauten Ladegeräts zum Aufladen der Batterie

6. Verbinden Sie das Batterieladekabel (A, Abbildung 17) mit dem Stromnetz (G), und danach sind alle Maschinenfunktionen mit Ausnahme des Aufladens automatisch unterbrochen. Das normalerweise aufleuchtende rote LED (B) zeigt, dass die Maschine im Aufladeprozess ist.
7. Die Batterien sind voll aufgeladen, wenn das grüne LED (C) aufleuchtet.
8. Nach dem vollen Aufladen trennen Sie das Batterieladekabel vom Stromnetz und bewahren Sie es im Ablagefach (D) auf.

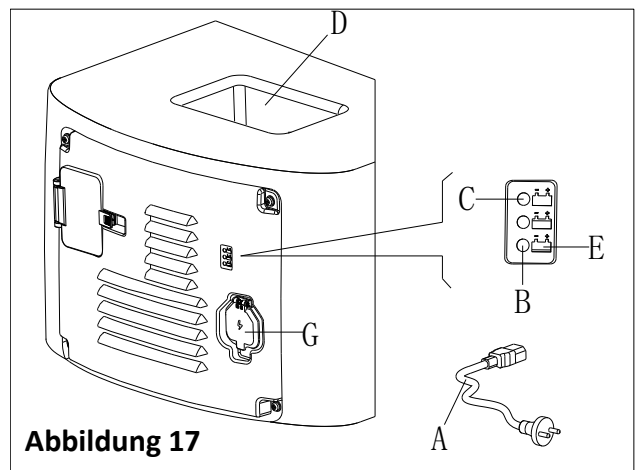


Abbildung 17

**HINWEIS**

Für weitere Informationen zum eingebauten Ladegerät (E, Abbildung 17), sehen Sie bitte das entsprechende Handbuch im Kundendienstcenter.

REINIGUNG DER BÜRSTE/PAD

**VORSICHT!**

Es wird empfohlen, beim Reinigen der Bürsten/Kissenhalterung Handschuhe zu tragen, da diese scharfe Fragmente aufweisen könnte.

1. Nehmen Sie die Bürsten/Kissenhalterung nach den Verfahren in den vorhergehenden Abschnitten vom Sockel ab.
2. Reinigen Sie die Bürste/Kissenhalterung mit Wasser und Reinigungsmittel.
3. Überprüfen Sie die Integrität und Abriebbedingungen der Bürstenborsten. Falls nötig muss die Bürste ersetzt werden.
4. Überprüfen Sie die den Abriebzustand des Polierkissens. Falls nötig muss es ersetzt werden.

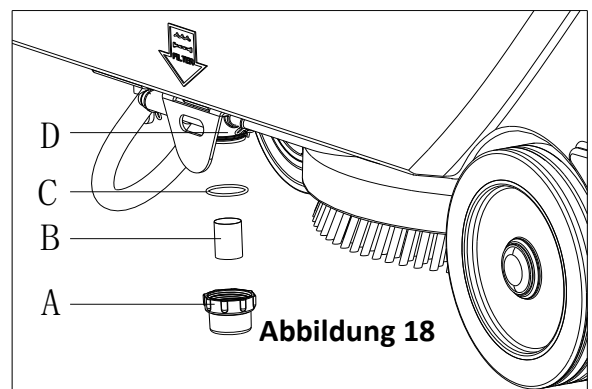


Abbildung 18

SÄUBERN DES LÖSUNGSMITTELFILTERS

1. Fahren Sie die Maschine auf eine ebene Oberfläche.
2. Stellen Sie sicher, dass die Maschine abgeschaltet ist.
3. Leeren Sie den Lösungsmittelbehälter (optionaler Schritt).
4. Entfernen Sie die Abdeckung des Lösungsmittelfilters (A, Abbildung 18), um den Filtereinsatz zu säubern (B), und stellen Sie ihn danach wieder in die Filteraufnahme (D).



HINWEIS

Der Filtereinsatz (B) muss im Gehäuse der Filteraufnahme korrekt eingelegt sein (D).

REINIGUNG DES ABZIEHGUMMIS



HINWEIS

Der Abziehgummi muss sauber sein und seine Blätter in gutem Zustand, um eine gute Trocknung zu erhalten.



VORSICHT!

Es ist ratsam, bei der Reinigung des Abziehgummis Schutzhandschuhe zu verwenden, weil scharfe Fremdkörper daran vorhanden sein könnten.

1. Fahren Sie die Maschine auf eine ebene Oberfläche.
2. Drehen Sie den Schlüsselschalter (A, Abbildung 19) in die „AUS“ Stellung.
3. Senken Sie das Abziehgummi (B) mit dem Hebel (C).
4. Lösen Sie die Knöpfe (D) und entfernen Sie das Abziehgummi.
5. Trennen Sie den Vakuumschlauch (E) vom Abziehgummi.
6. Säubern Sie die Stahl- oder Aluminiumaufnahme des Abziehgummis, besonders die Bereiche (A, Abbildung 20) und die Löcher (B). Prüfen Sie den Zustand, auf Schnitte oder Risse des vorderen Blatts (B) und des hinteren Blatts (C), falls notwendig verfahren Sie mit dem Austausch entsprechend dem folgenden Abschnitt.
7. Der Zusammenbau des Abziehgummis ist in der umgekehrten Reihenfolge der Demontage.

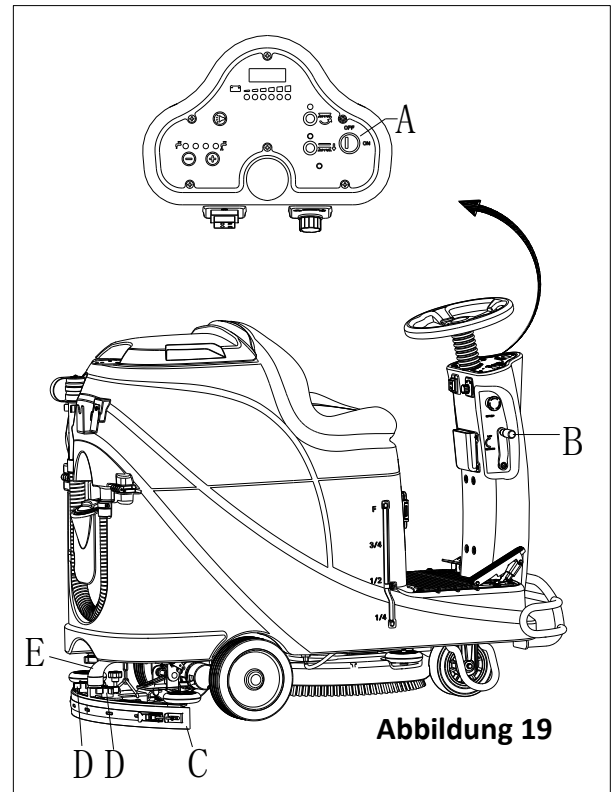


Abbildung 19

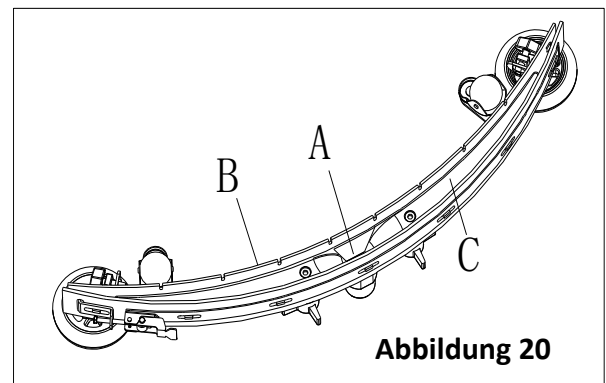


Abbildung 20

ÜBERPRÜFUNG UND AUSTAUSCH DES ABZIEHGUMMIBLATTS

1. Reinigen Sie den Stahl- oder Aluminium-Abziehgummi, wie im vorhergehenden Absatz.
2. Überprüfen Sie, dass die Kanten (E, Abbildung 21) des vorderen Blatts (C) und die Kanten (F) des hinteren Blatts (D) auf gleicher Ebene liegen, entlang ihrer Länge. Passen Sie deren Höhe nach dem folgenden Verfahren an, falls erforderlich:
 - Entfernen Sie die Verbindungsstange (G), lösen Sie die Befestigungselemente (M) und passen Sie das hintere Blatt (D) an, dann legen Sie die Befestigungselemente (M) ein und installieren Sie die Verbindungsstange (G).
 - Lösen Sie die Knöpfe (I) und passen das vordere Blatt (C) an. Ziehen Sie dann die Knöpfe fest an.
3. Überprüfen Sie das vordere Blatt (C) und das hintere Blatt (D) auf Verschleiß, Schnitte und Risse. Ersetzen Sie diese nach folgender Vorgehensweise, falls erforderlich. Überprüfen Sie, ob die vordere Kante (J) des hinteren Blatts (D) nicht abgenutzt ist. Drehen Sie die Klinge um, um die abgenutzte Kante mit einer ganzheitlich abschließenden zu ersetzen, falls erforderlich. Falls die anderen Kanten ebenfalls abgenutzt sind, ersetzen Sie das Blatt nach der folgenden Vorgehensweise:
 - Entfernen Sie die Verbindungsstange (G), lösen Sie die Befestigungselemente (M) und entfernen Sie die Halteleiste (K), ersetzen/kippen Sie dann das hintere Blatt (D). Montieren Sie das Blatt in umgekehrter Reihenfolge der Demontage.
 - Schrauben Sie die Knöpfe (I) ab und entfernen die Halteleiste (L), ersetzen Sie dann die vordere Klinge (C). Montieren Sie das Blatt in umgekehrter Reihenfolge der Demontage. Nach dem Blattwechsel (oder Umkippen), passen Sie die Höhe an, wie im vorherigen Schritt gezeigt.
4. Verbinden Sie den Vakuumschlauch (A, Abbildung 22) mit dem Gummiabzieher.
5. Installieren Sie den Gummiabzieher (B) und verschrauben Sie die Knöpfe (C).
6. Falls erforderlich, passen Sie den Balance-Einstellknopf des Gummiabziehers (D) an.

REINIGUNG DES TANK- UND VAKUUMGITTERS MIT SCHWIMMER UND ÜBERPRÜFUNG DER DECKELDICHTUNG

1. Bewegen Sie die Maschine auf einen ebenen Untergrund.
2. Stellen Sie sicher, dass die Maschine ausgeschaltet ist und der Zündschlüssel (40) abgezogen wurde.
3. Drehen Sie den Schmutzwassertankdeckel (A, Abbildung 23) in die 90-Grad-Position, wo er vom Tank abgenommen werden kann und nehmen Sie dann den Schwimmerkugelfilter (P) aus dem Tank.
4. Drehen Sie den Schmutzwassertank (B), den Reinwasserbehälter (C) und die Schwimmerkugel Filterstützrahmen (E). Entleeren Sie den Schmutzwassertank über den Ablaufschlauch (15).
5. Öffnen Sie bei Bedarf die untere Abdeckung (F) des Schwimmerkugelfilters mithilfe der Symbole "AUF" und "ZU", wie in (Abbildung 23) gezeigt, und reinigen Sie die Schwimmerkugel (D), den Filterstützrahmen (E) und den Filterschwamm (I). Fixieren Sie nach der Reinigung die Schwimmerkugel (D) im Filterstützrahmen (E) und richten Sie die Markierungsrille (L) der Bodenkappe (F) des Schwimmerkugelfilter an der Markierungsrille (L) des Schwimmerfilterstützrahmens (E) aus. Schrauben Sie die Bodenkappe des Schwimmerkugelfilter fest und befestigen Sie den Filterschwamm (I) auf dem Schwimmerfilterstützrahmen (E). Schließen Sie ihn abschließend am Abwasser-Augschlauch (M) an.
6. Überprüfen Sie die Integrität der Tankdichtleiste.

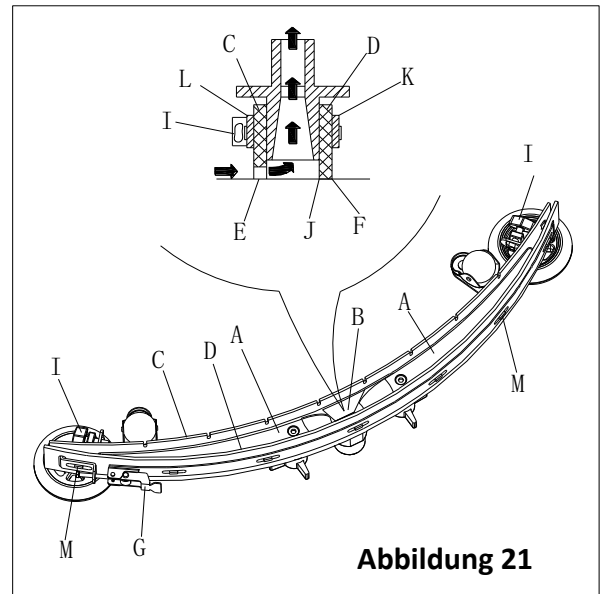


Abbildung 21



ANMERKUNG

Die Tankdichtleiste (G) gewährleistet den Unterdruck im Tank während des Saugmotorbetriebs. Der Tank muss abgedichtet werden, damit das Wasser effektiv vom Boden in den Schmutzwassertank eingesaugt werden kann.

7. Überprüfen Sie die Kontaktfläche der Dichtleiste (G) auf Integrität und ausreichende Abdichtung. Nehmen Sie die Dichtleiste ggf. aus der Tankrinne (H) und tauschen Sie sie aus. Bringen Sie die neue Dichtleiste wie in (Abbildung 23) gezeigt an. Das Gelenk muss sich wieder im mittleren Bereich befinden.
8. Schließen Sie den Schmutzwassertankdeckel (A).

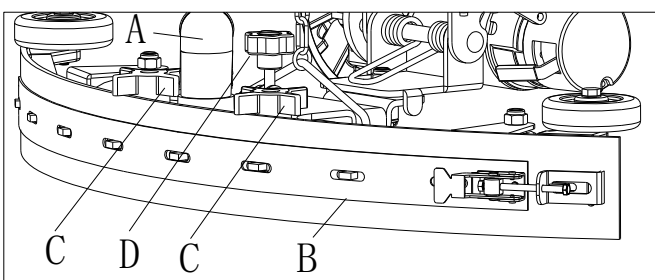


Abbildung 22

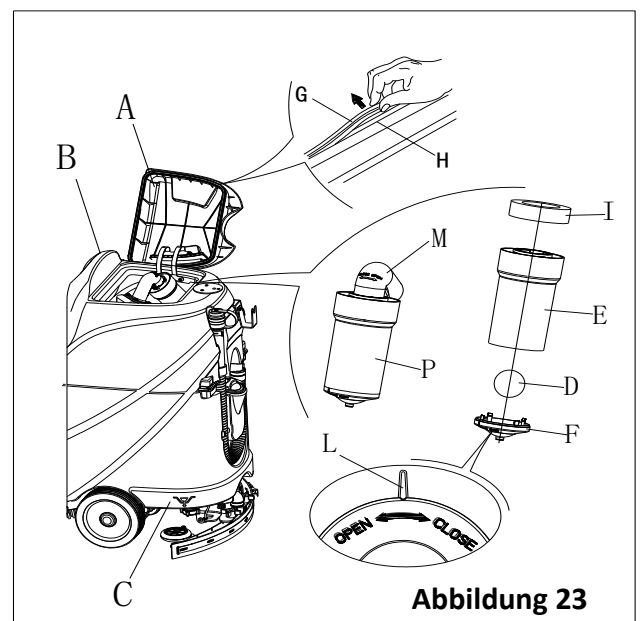


Abbildung 23

PRÜFUNG/AUSTAUSCH DER SICHERUNG

1. Drehen Sie den Schlüsselschalter (D, Abbildung 24) in die „AUS“ Stellung.
2. Trennen Sie das Batterieverbindingskabel.
3. Lösen Sie die Schrauben (C) der Bedienfläche und drehen Sie die Platine um, um die Sicherungen (A und B) zu finden.
4. Prüfen/Ersetzen Sie die Sicherungen:
 - A) F1 ist die Niedrigstrom Regelkreissicherung (5A)
 - B) F3 ist die Bürstenauswurfsicherung (20A)
5. Nach der Prüfung/Austausch, bauen Sie in umgekehrter Reihenfolge der Demontage zusammen.
6. Prüfen oder neu-einstellen des Motorüberladeschutz.
 - E) F5 ist der Überladeschutz des Vakuummotors (30A)
 - F) F4 ist der Überladeschutz des Antriebsmotors (30A)
 - G) F2 ist der Überladeschutz des Bürstenmotors (30A)

ZUBEHÖR/OPTIONEN

Zusätzlich zu den Standardkomponenten kann die Maschine mit dem folgenden Zubehör/Optionen ausgestattet werden, entsprechend der spezifischen Anwendungsbereiche der Maschine:

Kontaktieren Sie für weitere Informationen zu dem oben genannten optionalen Zubehör einen autorisierten Vertragshändler.

Zubehör/Optionen

Siehe Abschnitt "Teileliste"

1. GEL/AGM-Batterien
2. Pads aus verschiedenen Materialien

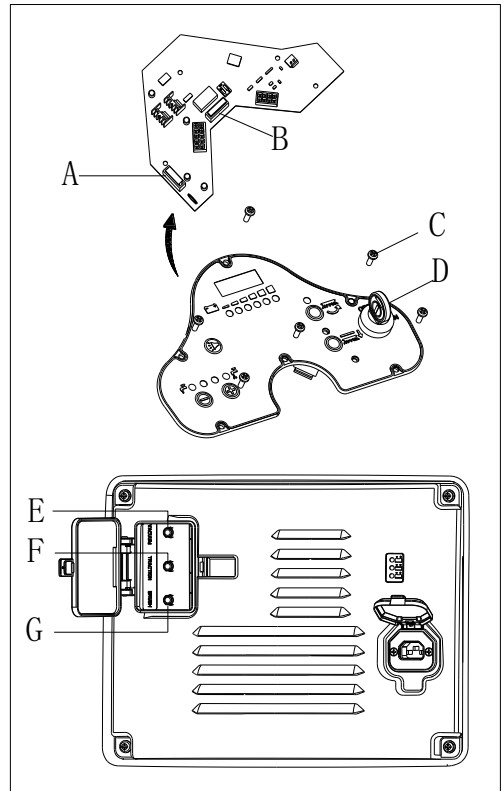


Abbildung 24

FEHLERBEHEBUNG

Fehler	Mögliche Ursachen	Abhilfe
Die Motoren arbeiten nicht, keine Warnleuchte leuchtet (C9)	Die Batterieverbinding ist nicht verbunden	Verbinden Sie die Batterieverbinding
	Die Batterien sind vollständig leer	Laden Sie die Batterien
Die Maschine arbeitet nicht, das rote Batterieladewarnlicht leuchtet (C8)	Die Batterieladung ist zu niedrig	Laden Sie die Batterien
Die Maschine bewegt sich nicht vorwärts/rückwärts	Störung in der Steuerplatine	Ersetzen der Steuerplatine
	Störung in der Steuerung des Antriebsmotors	Sehen Sie „ANTRIEBSMOTOR FEHLERANZEIGEN“
	Der Betreiber sitzt nicht auf dem Sitz	Auf dem Sitz sitzen
	Während der Rückwärtsbewegung ist das Abziehgummi nicht angehoben	Abziehgummi anheben
Der Bürstenmotor arbeitet nicht	Störung in der Steuerplatine	Ersetzen der Steuerplatine
	Bürstenmotor Überbelastung	Benutzen Sie eine weiche Borstenbürste, die für die Reinigung geeignet ist und stellen Sie den Überlastungsschutz neu ein.
	Störung im Bürstenmotorstecker	An den Kundendienst wenden
	Bürstenmotor Kohlebürste abgenutzt	An den Kundendienst wenden
	Hindernisse stören die Bürstendrehung	Bürste säubern
Der Antriebsmotor arbeitet nicht	Antriebsmotor Störungsleuchte leuchtet	Sehen Sie „ANTRIEBSMOTOR FEHLERANZEIGEN“
	Antriebsmotor Überbelastung	Stellen Sie den Überlastungsschutz des Antriebsmotors wieder ein und prüfen Sie den Antriebsmotor / Stromkreis

Der Vakuummotor arbeitet nicht	Vakuummotor Überbelastung	Überlastungsschutz des Vakuummotors neu einstellen und Vakuummotor prüfen
	Störung im Relais des Vakuummotors	An den Kundendienst wenden
	Störung in der Steuerplatine	Ersetzen der Steuerplatine
Unzureichendes Saugen, der Flur kann nicht getrocknet werden	Schmutzwassertank ist voll	Leeren Sie den Schmutzwassertank
	Ablaufschlauch und Abziehgummi mit schlechter Verbindung	Verbinden Sie den Ablaufschlauch und das Abziehgummi korrekt
	Schwimmerkugelfilter blockiert	Säubern Sie den Schwimmerkugelfilter und prüfen Sie die Lage der Schwimmerkugel
	Abziehgummi ist schmutzig oder abgenutzt	Prüfen und säubern des Abziehgummis
	Die Abdeckung des Schmutzwassertanks ist nicht richtig geschlossen oder die Dichtung ist beschädigt oder der Bendschlauch ist verstopft	Die Abdeckung richtig schließen, oder die Dichtung ersetzen oder den Bendschlauch säubern.
	Der Schmutzwassertank ist verschmutzt	Den Schmutzwassertank säubern
Unzureichende Lösungsmittelversorgung an die Bürstenplatte	Der Lösungsmittelfilter ist verschmutzt	Den Filter säubern
	Die Lösungsmitteltankanzeige zeigt leer an.	Den Lösungsmitteltank auffüllen
	Der Lösungsmitteltank ist stark verschmutzt	Den Lösungsmitteltank säubern
Das Abziehgummi hinterlässt Kratzer auf dem Flur	Es gibt Schmutz unter dem Abziehgummiblatt	Schmutz entfernen
	Abziehgummi abgenutzt, gerissen, gealtert	Ersetzen der Abziehgummiblätter
	Die Abziehgummibalance ist nicht angepasst	Abziehgummibalance einstellen
Störung des Antriebmotors beim Bremsen	Die Bremse ist gesperrt	Lösen Sie die Bremse

ANTRIEBSMOTOR FEHLERANZEIGEN INFORMATIONEN

LED CODE		STÖRUNG	MÖGLICHE URSACHE
1.1	○○○	TEMPERATUR STÖRUNG	1. Temperatur >80°C oder <-10°C. 2. Übermäßige Belastung auf dem Gerät. 3. Betrieb unter extremen Umständen. 4. Elektromagnetische Bremse entsperrt nicht.
1.2	○○○○	DROSSELKLAPPE STÖRUNG	1. Drossel Eingangskabel offen oder kurzgeschlossen. 2. Drossel Potentiometer defekt. 3. Falscher Drosseltyp gewählt.
1.3	○○○○○	GESCHWINDIGKEIT POTENTIOMETERSTÖRUNG	1. Geschwindigkeitsbegrenzung Potentiometer Kabel gebrochen oder kurzgeschlossen. 2. Geschwindigkeitsbegrenzung Potentiometer defekt.
1.4	○○○○○○	NIEDERSPANNUNGSTÖRUNG	1. Batteriespannung <17 Volt. 2. Schlechte Verbindung an der Batterie oder der Steuerung.
1.5	○○○○○○○	ÜBERSPANNUNGSTÖRUNG	1. Batteriespannung >31 Volt. 2. Gerät arbeitet mit angeschlossenem Ladegerät. 3. Intermittente Batterieverbinding.
2.1	○○○	STROMVERSORGUNG AUSSTÖRUNG	1. Netzschütz Haupttreiber nicht geöffnet.

2.3	□□□□□□	STROMVERSORGNUNG STÖRUNG *	1. Netzschütz verschweißt oder offen. 2. Netzschütz Haupttreiber Störung.
2.4	□□□□□□□	STROMVERSORGNUNG EIN STÖRUNG	1. Netzschütz Haupttreiber nicht geschlossen.
3.1	□□□□	VERKABELUNGSTÖRUNG *	1. Falsch eingestellte Drossel. 2. Gebrochener Drossel Potentiometer oder Drosselmechanismus.
3.2	□□□□□□	BREMSE EIN STÖRUNG	1. Elektromagnetischer Bremsstreiber kurzgeschlossen. 2. Elektromagnetische Bremsspule offen.
3.3	□□□□□□□	VORLADUNGSTÖRUNG *	1. Bremsstreiber kurzgeschlossen. 2. Vorlade Stromkreis beschädigt. 3. MOSFET Störung.
3.4	□□□□□□□□	BREMSE AUSSTÖRUNG	1. Elektromagnetischer Bremsstreiber offen. 2. Elektromagnetische Bremsspule kurzgeschlossen.
3.5	□□□□□□□□□	HPD STÖRUNG	1. Falsche Sequenz der Drossel und KSI, schieben oder behindern Eingaben. 2. Falsch eingestellter Drossel Potentiometer.
4.1	□□□□□□	STROMPRÜFUNGSTÖRUNG *	1. Kurzschluss im Motor oder Motorverkabelung. 2. Steuerung Störung.
4.2	□□□□□□□	HARDWARE AUSFALLSICHERUNG *	1. Motorspannung entspricht nicht Drosselabfrage. 2. Kurzschluss im Motor oder Motorverkabelung. 3. Steuerung Störung.
4.3	□□□□□□□□	EEPROM PRÜFSUMMESTÖRUNG †	1. EEPROM Störung oder Fehler.
4.5	□□□□□□□□□□	BATTERIETRENNUNGSTÖRUNG *	1. Batterie nicht angeschlossen. 2. Schlechte Verbindung zu den Batterieklemmen.

* = Muss Schlüsselschalter zur Behebung aus und einschalten.

† = Muss zur Behebung wie folgt programmieren: Programmmenü wählen, Datenwert eines Parameters ändern, Schlüsselschalter aus und einschalten.



HINWEIS

Eine mit einem eingebauten Ladegerät ausgestattete Maschine arbeitet nicht bei einer Störung des Ladegeräts. Wenden Sie sich bitte für Hilfe an unser qualifiziertes Kundendienstcenter.

ENTSORGUNG

Entsorgen Sie die Maschine bei einer qualifizierten Abfallbehandlungseinrichtung.

Bevor die Maschine verschrottet wird, bitte die untere Baugruppe abnehmen und in Übereinstimmung mit den einschlägigen Gesetzen und Verordnungen in in geeigneter Weise beseitigen.

- Batterie
- Bürsten/Kissenhalterung
- Kunststoffschlauch und Kunststoffkomponenten
- Elektrische und elektronische Komponenten (*)

(*) Wenden Sie sich an unser Kundendienstcenter zur Zerstörung von elektrischen oder elektronischen Bauteilen.

INHOUDSTAFEL

INLEIDING	89
INHOUD HANDLEIDING EN DOEL.....	89
HOE DEZE HANDLEIDING BEWAREN.....	89
VERKLARING VAN OVEREENSTEMMING.....	89
ACCESSOIRES EN ONDERHOUD	89
VERANDERING EN VERBETERING	89
TOEPASSINGSGBIED.....	89
IDENTIFICATIEGEGEVENS VAN DE MACHINE.....	89
VERVOER EN UITPAKKEN	89
VEILIGHEID.....	90
SYMBOLEN DIE WORDEN WEERGEGEVEN IN DE HANDLEIDING VOOR DE INSTRUCTIES VOOR GEBRUIK	90
ALGEMENE VEILIGHEID INSTRUCTIE	90
BESCHRIJVING VAN DE MACHINE	92
MACHINESTRUCTUUR.....	92
BEDIENINGSBORD.....	93
LED-SCHERM WEERGAVEGEGEVENS.....	93
WEERGAVEVENSTER VAN LADER INDICATIELICHT	93
TECHNISCHE PARAMETERS.....	94
SCHAKELSCHEMA.....	95
WERKINGSGIDS.....	97
INSTALLEREN EN INSTELLEN VAN EEN NIEUWE MACHINEBATTERIJ	97
INSTALLATIE VAN DE ACCU EN ACCU TYPE-INSTELLING (NAT OF GEL / AGM).....	97
NOODSITUATIE REMMEN	99
BORSTEL/HOUDER INSTALLATIE EN VERWIJDERING	99
AANPASSING VAN DE BALANS VAN DE ZUIGRUBBER.....	100
VULLEN VAN OPLOSSINGSTANK	100
MACHINE START EN STOP.....	101
MACHINEGEBRUIK (SCHROBBEN EN DROGEN)	102
LOZEN VAN DE TANK	103
NA HET GEBRUIK VAN DE MACHINE.....	103
MACHINE LANGE INACTIVITEIT.....	103
GEBRUIK VOOR DE EERSTE KEER	104
ONDERHOUD	104
GEPLANDE ONDERHOUDSTABEL	104
OPLADEN VAN DE BATTERIJ.....	104
BORSTEL/PAD SCHOONMAKEN	105
OPLOSSINGSFILTER REINIGEN	106
SCHOONMAKEN VAN DE ZUIGMOND	106
ZUIGMONDRUBBER CONTROLE EN VERVANGING	106
TANK AND VACUUMROOSTER MET VLOTTERREINIGING EN DEKSELPAKKINGSCONTROLE.....	107
CONTROLE / VERVANGING VAN DE ZEKERING.....	108
ACCESSOIRES/OPTIES	108
PROBLEEMOPLOSSING	108
SLOOP	110

INLEIDING



OPMERKING

De cijfers tussen haakjes verwijzen naar de onderdelen weergegeven in het hoofdstuk over de Machinebeschrijving.

INHOUD HANDLEIDING EN DOEL

Het doel van deze instructie voor de handleiding is de gebruiker de nodige informatie te verstrekken over het goed en veilig gebruik van de machine. Het bevat informatie over technische gegevens, veiligheid, gebruik, opslag, onderhoud, reserveonderdelen en de verwijdering.

Voordat men enige procedure uitvoert op de machine, ongeacht de gebruikers gekwalificeerde technici zijn, moet deze handleiding zorgvuldig gelezen worden. Neem contact op met het bedrijfsservicecenter voor alle vragen over deze handleiding of indien er meer informatie nodig is.

De gebruikers mogen geen procedures uitvoeren die door gekwalificeerde technici moeten uitgevoerd worden. Ons bedrijf is niet verantwoordelijk voor schade die voortvloeit uit de niet-naleving van dit verbod.

HOE DEZE HANDLEIDING BEWAREN

De handleiding moet worden bewaard in de buurt van de machine, in een geschikte tas, uit de buurt van vloeistoffen en andere stoffen die kunnen leiden tot schade aan het document.

VERKLARING VAN OVEREENSTEMMING

Verklaring van overeenstemming wordt geleverd met de machine en verklaart dat de machine in overeenstemming is met het geldende recht.



OPMERKING

De kopieën van de oorspronkelijke verklaring van overeenstemming worden geleverd samen met de machinedocumentatie.

ACCESSOIRES EN ONDERHOUD

Alle noodzakelijke gebruiks, onderhouds en reparatieprocedures moeten worden uitgevoerd door gekwalificeerd personeel, of door een door ons bedrijf aangewezen servicecenter. ALLEEN geautoriseerde reserveonderdelen en accessoires mogen gebruikt worden.

Neem contact op met de klantenservice van ons bedrijf voor elke service of aankoop van accessoires of reserveonderdelen indien nodig.

VERANDERING EN VERBETERING

We zijn toegewijd om onze producten continue te verbeteren, het bedrijf behoudt het recht om de machinewijzigingen en verbeteringen uit te voeren zonder dit bijkomend te moeten meedelen.

TOEPASSINGSGBIED

De scrubber wordt gebruikt voor commercieel en industrieel gebruik. De machine is geschikt voor het reinigen van gladde en harde vloeren, de machine dient door gekwalificeerd personeel in veilige omstandigheden gebruikt te worden. De machine is niet geschikt voor gebruik buitenshuis, tapijten of reiniging van ruwe vloeren.

IDENTIFICATIEGEGEVENS VAN DE MACHINE

Het serienummer van de machine en de naam van het model zijn gemarkeerd op het seriële label.

Deze informatie is nuttig. Gebruik de volgende tabel om de identificatiegegevens van de machine te noteren wanneer reserveonderdelen vereist worden voor de machine.

MACHINE MODEL.....
SERIËLE MACHINENUMMER.....

VERVOER EN UITPAKKEN

Wanneer de vervoerder de machine levert moet er gecontroleerd worden of de verpakking en de machine onbeschadigd zijn. Als er een beschadigd wordt vastgesteld moet de vervoerder hiervan op de hoogte gesteld worden voordat de goederen worden aanvaard om het recht op vergoeding voor schade te behouden.

Volg strikt de aanwijzingen op de verpakking bij het uitpakken van de machine.

Controleer de verpakking om ervoor te zorgen de volgende items aanwezig zijn:

1. Technische documentatie, inclusief gebruikershandleiding en handleiding voor on-boardlader indien een onboardlader voorzien is.
2. Opladkabel als er een onboardlader voorzien is.

VEILIGHEID

De volgende symbolen wijzen op potentieel gevaarlijke situaties. Lees altijd deze informatie aandachtig en neem alle nodige voorzorgsmaatregelen ter bescherming van mensen en bezittingen.

SYMBOLEN DIE WORDEN WEERGEGEVEN IN DE HANDLEIDING VOOR DE INSTRUCTIES VOOR GEBRUIK



GEVAAR!

Het geeft aan dat een gevaarlijke situatie bestaat met risico op overlijden voor de gebruiker.



WAARSCHUWING!

Dit geeft aan dat er een potentieel risico bestaat op verwonding voor mensen.



LET OP!

Dit geeft een waarschuwing of opmerking gerelateerd aan belangrijke of nuttige functies. Besteed aandacht aan de alinea's die voorzien zijn van dit symbool.



OPMERKING

Dit geeft een opmerking weer gerelateerd aan belangrijke of nuttige functies.



OVERLEG

Noodzaak voor het raadplegen van de handleiding met instructies voordat u de procedure uitvoert.

ALGEMENE VEILIGHEID INSTRUCTIE

Specifieke waarschuwingen en waarschuwingen ter informatie over de potentiële verwondingen voor mensen en schade aan machines worden hieronder weergegeven.



GEVAAR!

- Deze machine moet worden bediend door opgeleide en geautoriseerde medewerkers volgens richtlijnen uit de handleiding.
- Voor elke reinigings-, onderhouds-, reparatie- of vervangingsprocedure moeten alle instructies aandachtig gelezen worden, controleer of de machine is **UITGESCHAKELD** en verbreek het contact met de batterijconnector.
- Gebruik de machine niet in de buurt van giftige, gevaarlijke, ontvlambare en/of explosieve poeders, vloeistoffen of damp. Deze machine is niet geschikt voor het verzamelen van gevaarlijke stoffen.
- Draag geen juwelen bij het werken in de buurt van elektrische onderdelen.
- Werken niet onder de opgeheven machine zonder dat het ondersteund wordt met veiligheidssteunen.
- Bij het gebruik van lood (NATTE)-batterijen kunnen deze ontvlambaar gas uitstoten bij normaal gebruik zorg ervoor dat vonken, vlammen, rokende, gloeiende en brandende materialen uit de buurt van de batterijen worden gehouden.
- Bij het opladen van lood (natte) batterijen kunnen deze waterstofgas uitstoten die explosies kunnen veroorzaken. Er moet voor gezorgd worden dat de oplaadruimte goed geventileerd is en dat er geen open vuur aanwezig is.

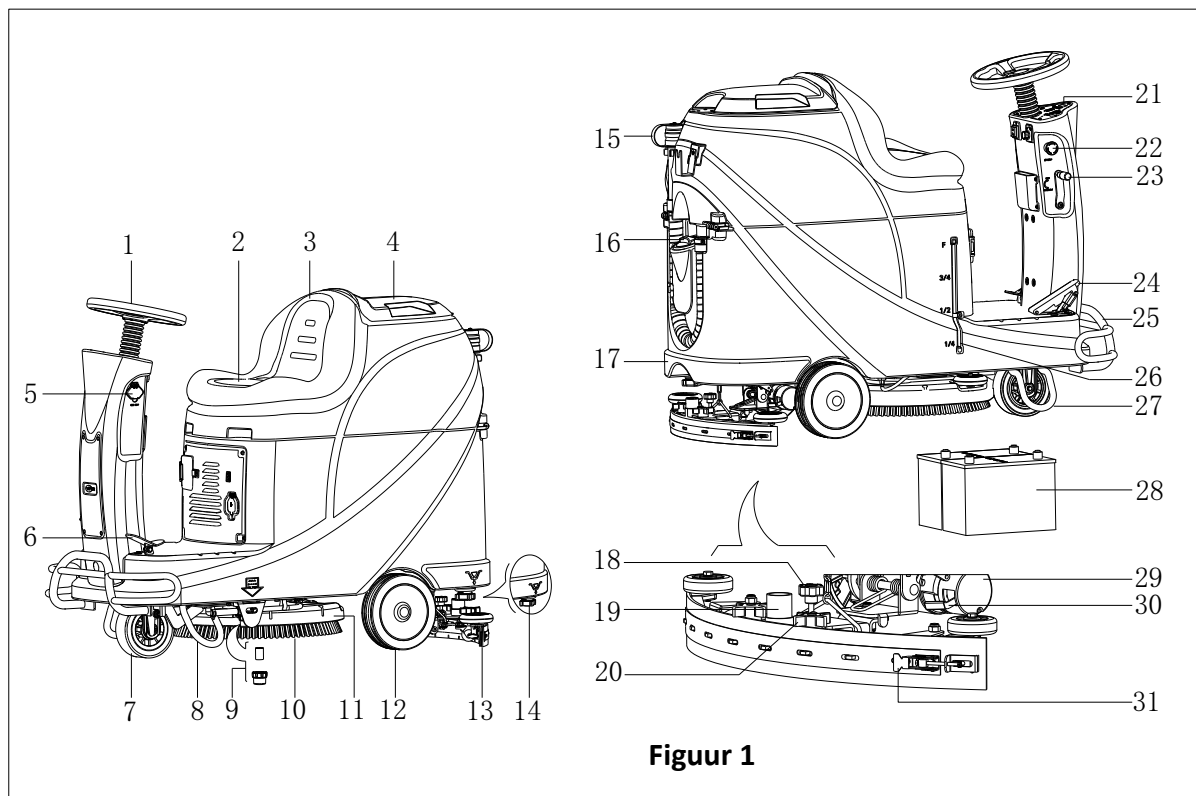


WAARSCHUWING!

- Controleer de machine zorgvuldig vóór elk gebruik. Zorg ervoor dat alle onderdelen goed zijn gemonteerd vóór gebruik want anders kan letsel optreden voor mensen of schade aan eigendommen.
- Voordat u de batterijlader gebruikt moet u ervoor zorgen dat de waarden van de frequentie en de spanning aangegeven op het label van met het machine serienummer overeenkomen met die van de netspanning.
- Verplaats het toestel nooit door te trekken aan het oplaadsnoer. Geleid de kabel nooit via een gesloten deur, scherpe randen of hoeken. Gebruik de machine niet met de verbonden oplaadkabel. Houd de oplaadkabel voor de batterij uit de buurt van hete oppervlakken.
Laad de batterijen niet op als de kabel van de oplader of de stekker beschadigd zijn.
- Om het risico van brand, elektrische schokken of letsel te beperken moet er gecontroleerd worden of machine is uitgeschakeld.
- Gebruik of sla de machine binnenshuis op in droge omstandigheden, het is niet toegestaan de machine te gebruiken voor buitengebruik.
- De bedrijfstemperatuur voor zowel gebruik als opslag moet liggen tussen 0 ° C en + 40 ° C, de vochtigheid van de lucht moet liggen tussen 30% - 95%.
- Gebruik de machine niet op hellingen met een hoek die de specificaties overschrijdt.
- Bij gebruik van reinigingsmiddel voor het reinigen van vloeren moet de gebruiksaanwijzing van het reinigingsmiddel worden gevolgd, zorg altijd voor geschikte beschermde kleding.
- Gebruik de meegeleverd borstels en pads of die worden gedefinieerd in de handleiding. Het gebruik van andere borstels of pads kan de veiligheid beperken.
- In geval van storingen aan de machine, moet er gecontroleerd worden of dit niet het gevolg is van een gebrek aan onderhoud. Indien nodig kunt u contact opnemen met ons service center.
- Neem alle voorzorgsmaatregelen om te voorkomen dat haar, juwelen en losse kleren verstrikt raken in de bewegende delen van de machine.
- Gebruik de machine niet in met name stoffige gebieden.
Was de machine met directe of onder druk staande waterstralen of corrosieve stoffen.
- Bots niet tegen planken, stellingen of steigers vooral wanneer er een risico bestaat op vallende voorwerpen.
- Plaats geen containers voor vloeibare stoffen op de machine, gebruik de relevante kan houder.
- Om vloerbeschadiging te voorkomen moet er voor gezorgd worden dat de borstel/pad niet actief zijn wanneer de machine stationair is.
- In geval van brand, gebruiken een brandblusser met droog poeder. Gebruik geen vloeibare brandblussers.
- Verwijder of wijzig geen machinestickers.
- Knoei niet met machine veiligheidsbescherming en volg algemene onderhoudsinstructies nauwgezet.
- Besteed aandacht tijdens het vervoer van de machine wanneer de temperatuur zich onder het vriespunt bevindt. Het water in de vuilwatertank en de slangen kan bevroren en leiden tot ernstige schade aan de machine.
- Indien onderdelen moeten worden vervangen, bestel originele reserveonderdelen bij een geautoriseerde dealers of detailhandelaars.
- Breng de machine terug naar het Service Center bij niet gebruikelijke werking, na beschadiging, na plaatsing buiten of na het vallen in water.
- Om te zorgen voor goede en veilige werking van de machine moet het geplande onderhoud weergegeven in het desbetreffende hoofdstuk van deze handleiding, worden uitgevoerd door gemachtigd personeel of een erkend Service Center.
- De machine moet op de juiste manier verwijderd worden wegens de aanwezigheid van giftige -schadelijke materialen (batterijen, enz.)die onderworpen zijn aan normen waarvoor de verwijdering vereist is in speciale centra (zie hoofdstuk Sloop).
- Deze machine mag enkel gebruikt worden als een schoonmaakmiddel en niet voor enig ander doel.
- Houd de openingen altijd vrij van stof, haren en andere vreemd materiaal dat de luchtstroom kan verminderen. Gebruik de machine niet als de openingen zijn verstopt.
- Gebruik de machine alleen waar een goede verlichting wordt geboden.
- Deze machine is niet bedoeld voor gebruik door personen met verminderde lichamelijke, zintuiglijke of geestelijke vermogens, of door hen met een gebrek aan ervaring en kennis, tenzij zij onder toezicht staan of instructie hebben gekregen betreffende gebruik van de machine door een persoon die verantwoordelijk is voor hun veiligheid.
- Veel aandacht is noodzakelijk wanneer gebruikt in de buurt van kinderen.
- Kinderen moeten onder toezicht staan om ervoor te zorgen dat ze niet met het toestel spelen.
- Tijdens het gebruik van deze machine moet men voorzichtig zijn geen schade te veroorzaken aan zaken of verwondingen voor mensen.

BESCHRIJVING VAN DE MACHINE

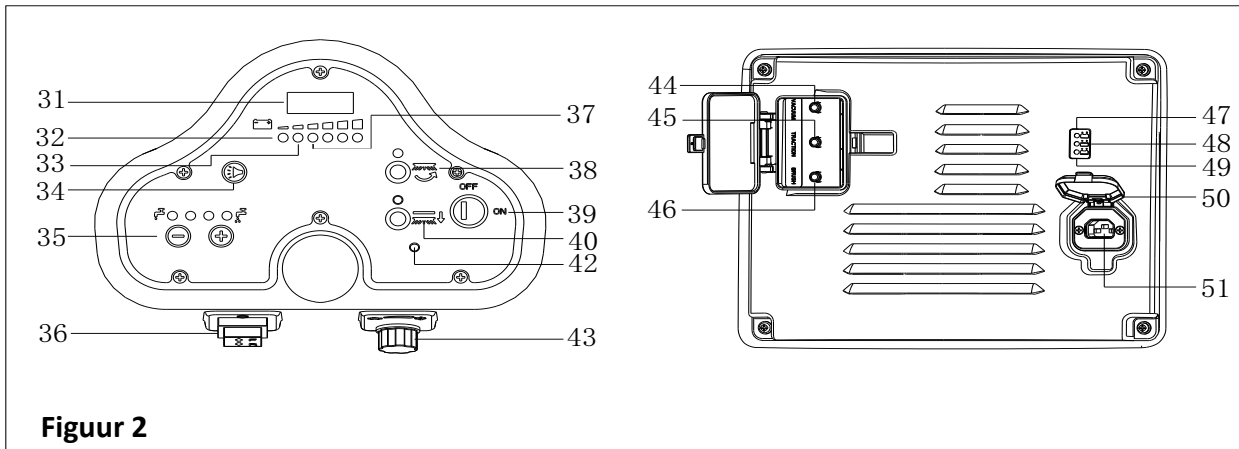
MACHINESTRUCTUUR (zoals weergegeven in Figuur 1)



Figuur 1

- | | |
|--------------------------------|--|
| 1. Stuurwiel | 17. Oplossingtank |
| 2. Zitkussen | 18. Zuigmond instelknop |
| 3. Vuilwatertank | 19. Vacuümslang |
| 4. Deksel vuilwatertank | 20. Zuigmond knop |
| 5. USB-poort voor het opladen | 21. Bedieningspaneel |
| 6. Pedaal | 22. Noodschakelaar |
| 7. Voorwiel | 23. Hefboom zuigmond opheffing/verlaging |
| 8. Linker steunbeugel | 24. Snelheidspedaal |
| 9. Oplossingsfilter | 25. Voorbumper |
| 10. Borstel | 26. Oplossing niveau-indicator |
| 11. Borsteldek | 27. Rechter ondersteuningsbeugel |
| 12. Achterwiel | 28. Accu |
| 13. Zuigmondmontage | 29. Aandrijfmotor |
| 14. Oplossing uitlaatbedekking | 30. Remblokbeugel |
| 15. Riolering afvoerslang | 31. Zuigmondhaspel. |
| 16. Water inlaatbedekking | |

BESCHRIJVING VAN DE MACHINE BEDIENINGSBORD (zoals weergegeven in Figuur 2)



Figuur 2

- | | |
|--|--|
| 31. LED- scherm | 42. Waarschuwinglichtje voor problemen met de rijmotor |
| 32. Waarschuwinglichtje voor een ontladen accu (rood) | 43. Snelheid regelknop |
| 33. Waarschuwinglichtje voor een semi ontladen accu (geel) | 44. Vacuüm motor overbelastingsbeschermingsinrichting |
| 34. Knop voor seinhoorn | 45. Rijmotor overbelastingsbeschermingsinrichting |
| 35. Knop voor de aanpassing van het volume | 46. Borstel motor overbelastingsbeschermingsinrichting |
| 36. Schakelaar vooruit-achteruit | 47. Waarschuwinglichtje voor helemaal opgeladen accu (groen) |
| 37. Batterij leeg-indicator (groen) | 48. Waarschuwinglichtje voor een semi opgeladen accu (geel) |
| 38. Borstelknop | 49. Accu oplaadindicator (rood) |
| 39. Sleutelschakelaar | 50. Oplader stekkerbedekking |
| 40. Knop voor het ontladen van de borstel | 51. Stekker van de lader |

LED-SCHERM WEERGAVEGEGEVENS

STOP-Machine kan niet verplaatsen, borstel stopt met werken maar vacuüm motor kan werken

(00012.3) – totale arbeidstijd van machine is 12,3 uur

L0-(18) – Accuspanning lager dan 18V

U-(25.5) – Accuspanning is 25.5V

ERR-01-Zuigmond is niet opgeheven wanneer machine achteruit draait

WEERGAVEVENSTER VAN LADER INDICATIELICHT (zoals weergegeven in Figuur 2)

1. Aan het begin van het opladen, de rode LED (49) van de lader is normaal aan. Het is de eerste fase van het opladen.
2. Na enige tijd op te laden zal de rode LED (49) op lader worden uitgeschakeld, de gele LED (48) schakelt in, dit is de tweede fase van het opladen.
3. Wanneer het laden is voltooid is wordt de gele die LED (48) uitgeschakeld, de groene LED (47) gaat branden om aan te geven dat de accu volledig is opgeladen.

OPMERKING



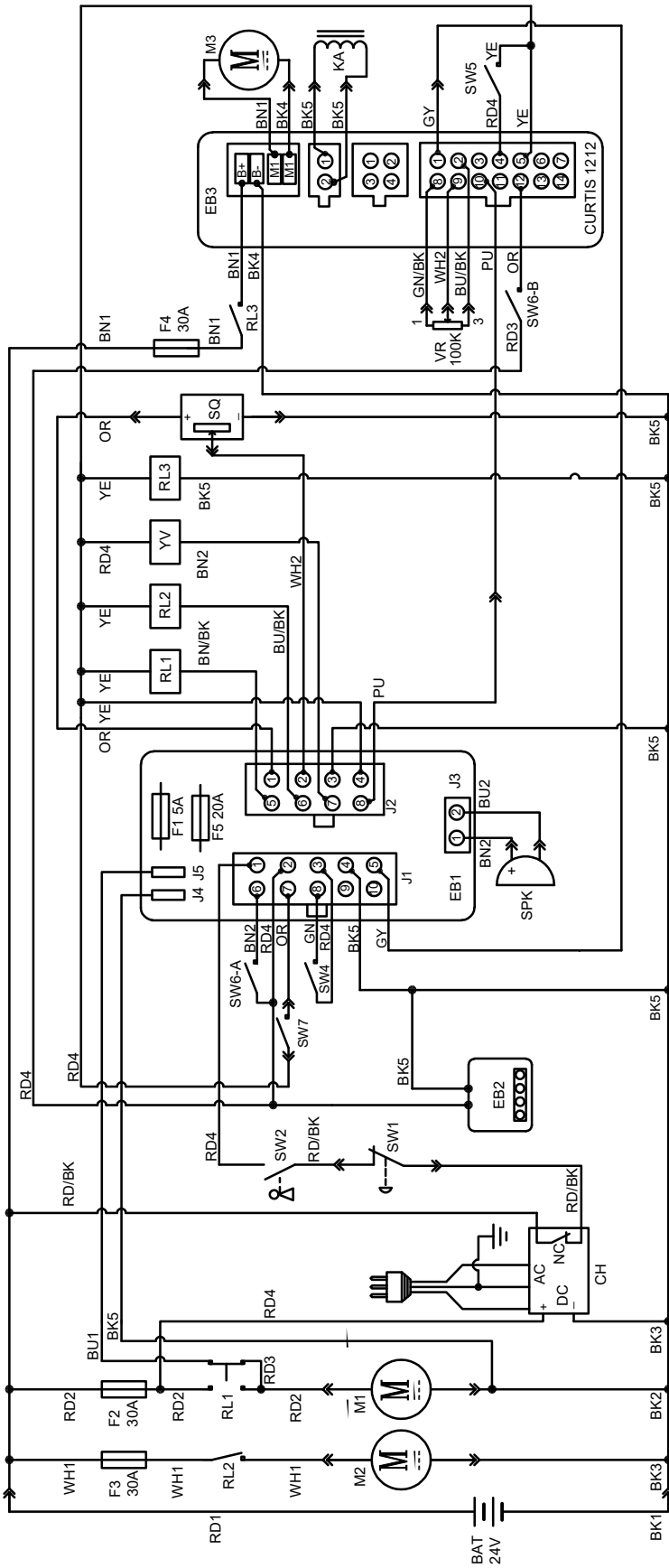
Tijdens het oplaadproces, wanneer de gele LED is ingeschakeld (48) kan dit worden veroorzaakt door het feit dat de accu en de lader niet overeen komen met elkaar, de accu is niet goed aangesloten of de output is heeft een kortsluiting ondergaan.

Het flikkeren van het rode lampje van de oplader kan worden veroorzaakt door de interne kortsluiting van de oplader.

TECHNISCHE PARAMETERS

MODEL	AS530R	
AGM etingen verpakking (L x Br x H)	mm	1470*730*1310
Machine hoogte	mm	1120
Lengte van de machine	mm	1360
Machine breedte (zonder zuigmond)	mm	580
Machine gewicht met lege tanks (zonder accu's)	Kg	140
Bruto voertuiggewicht (GVW)	Kg	270
Verzendgewicht	Kg	245
Oplossing Tankinhoud	Liter	72
Vuilwater tankinhoud	Liter	73
Vacuüm motorvermogen	Watt	400
Vacuüm capaciteit	mm H ₂ O	1223
Klimcapaciteit (Max.)	%	10
Diameter van het voorwiel	mm	Ø175
Diameter achterwiel	mm	Ø230
Geluidsniveau	dB(A)	69
Oplossing/waterstroom	L/min	0.84-2.0
Werkbreedte	mm	530
Zuigmond breedte	mm	730
Diameter borstel/pad	mm	530
Borstel motorvermogen	Watt	450
Borstelsnelheid	Tpm	160
Borstel/pad druk (Max)	Kg	23
Rij motorvermogen	Watt	300W
Werksnelheid	Km/h	5,5 km/h
Spanning	V	347
Accu (optioneel)	Ah	2x100AH (20 uren)
Acculader (optioneel)	V / A	24V 10A
Accuhouder grootte (L x Br x H)	mm	350*380*300
USB-oplader specificatie	V / A	5V, 0.8A

SCHAKELSCHEMA



WIRE ROD	WIRE ROD	WIRE ROD
RD1	BN/BK	BROWN/BLACK / 20AWG
RD2	BU1	BLUE/18AWG
RD3	BU2	BLUE/20AWG
RD4	BU/BK	BLUE/BLACK / 20AWG
RD/BK	GN	GREEN/20AWG
BK1	GN/BK	GREEN/BLACK / 20AWG
BK2	GY	GRAY/20AWG
BK3	PU	PURPLE/20AWG
BK4	OR	ORANGE/20AWG
BK5	YE	YELLOW/20AWG
BN1	WH1	WHITE/12AWG
BN2	WH2	WHITE/20AWG

COMPONENTS	COMPONENTS
BAT	24V BATTERIES
CH	BATTERY CHARGER
EB1	CONTROL PANEL BOARD
EB2	USB CHARGING ELECTRONIC BOARD
EB3	DRIVE ELECTRONIC BOARD
RL1	BRUSH MOTOR ELECTROM SWITCH
RL2	VACUUM MOEOR ELECTROM SWITCH
RL3	DRIVE SYSTEM ELECTROM SWITCH
YV	WATER ELECTROVALVE
F1	CONTROL PANEL BOARD FUSE
F2	BRUSH MOTOR CIRCUIT BREAKER
F3	VACUUM MOTOR CIRCUIT BREAKER
F4	DRIVE SYSTEM CIRCUIT BREAKER
F5	BRUSH RELEASE FUSE
KA	BRAKE
M1	BRUSH MOTOR
M2	VACUUM MOTOR
M3	DRIVE MOTOR
SW1	EMERGENCY-STOP SWITCH
SW2	KEY SWITCH
SW4	VACUUM MOTOR SWITCH
SW5	OPTIONAL MODE SWITCH
SW6-A	OPTIONAL REVERSE SWITCH
SW6-B	OPTIONAL REVERSE SWITCH
SW7	SEAT SWITCH
SQ	FOOT THROTTLE
SPK	12VDC BUZZER
VR	SPEED POTENTIOMETER

ONDERDELEN		ONDERDELEN	
BAT	24V ACCU 'S	M1	BORSTELMOTOR
CH	ACCULADER	M2	VACUÛMMOTOR
EB1	BEDIENINGSPANEEL	M3	RIJMOTOR
EB2	USB- ELEKTRONISCH OPLAADPANEEL	SW1	NOODSTOPSCHAKELAAR
EB3	STATION ELEKTRONISCH PANEEL	SW2	SLEUTELSCHAKELAAR
RL1	BORSTELMOTOR ELECTROM SCHAKELAAR		
RL2	VACUÛM MOTOR ELECTROM SCHAKELAAR	SW4	VACUÛM MOTORSCHAKELAAR
RL3	STATION SYSTEEM ELECTROM SCHAKELAAR	SW5	OPTIONELE MODUS-SCHAKELAAR
YV	WATER ELECTROKLEP	SW6-A	OPTIONELE ACHTERUITRIJSCHAKELAAR
F1	CONTROLE PANEEL BORDZEKERING	SW6-B	OPTIONELE ACHTERUITRIJSCHAKELAAR
F2	BORSTELMOTOR CIRCUITBEVEILIGING	SW7	STOEL SCHAKELAAR
F3	VACUÛMMOTOR CIRCUITVERMOGENSCHAKELAAR	SQ	VOETGASHENDEL
F4	STATION SYSTEEM CIRCUITVERMOGENSCHAKELAAR	SPK	12VDC-ZOEMER
F5	BORSTEL ZEKERING VOOR DE ONTGRENDELKNOP	VR	SNELHEID POTENTIOMETER
KA	REM		

WALSDRAAD		WALSDRAAD	
RD1	ROOD/6AWG	BN/BK	BRUIN/ZWART / 20AWG
RD2	ROOD/10AWG	BU1	BLAUW/18AWG
RD3	ROOD/18AWG	BU2	BLAUW/20AWG
RD4	ROOD/20AWG	BU/BK	BLAUW/ZWART/20 AWG
RD/BK	ROOD/ZWART/20AWG	GN	GROEN/20AWG
BK1	ZWART/6AWG	GN/BK	GROEN/ZWART /20AWG
BK2	ZWART/10AWG	GY	GRIJS/20AWG
BK3	ZWART/12AWG	PU	PAARS/20AWG
BK4	ZWART/14AWG	OR	ORANJE/20AWG
BK5	ZWART/18AWG	YE	GEEL/20AWG
BN1	BRUIN/14AWG	WH1	WIT/12 AWG
BN2	BRUIN/20AWG	WH2	WIT/20AWG

WERKINGSGIDS



WAARSCHUWING!

Besteed veel aandacht aan deze symbolen in deze handleiding:

- GEVAAR!
- WAARSCHUWING!
- LET OP!
- RAADPLEGEN

Bedek deze symbolen op de machine nooit voor welke reden dan ook, vervang onmiddellijk als er schade is opgetreden.

INSTALLEREN EN INSTELLEN VAN EEN NIEUWE MACHINEBATTERIJ



WAARSCHUWING!

De elektrische onderdelen van de machine kunnen ernstig worden beschadigd als de batterijen ofwel onjuist worden geïnstalleerd of aangesloten.

De accu's moeten worden geïnstalleerd door gekwalificeerd personeel. Stel de acculader (optioneel) en machine PCBA in volgens het type van de accu (NAT of GEL/AGM).

Controleer de accu's of deze voorafgaand aan de installatie beschadigd zijn.

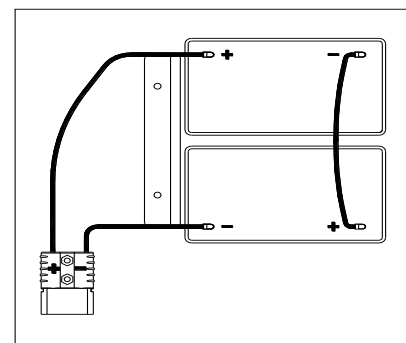
Ontkoppel de accu-connector en de aansluiting voor de acculader.

Hanteer de accu's met de grootste zorg.



OPMERKING

De machine vereist twee 12V accu's, sluit aan volgens Figuur 3.



Figuur 3

De machine kan worden bediend in een van de volgende accu-modi:

A) NAT of GEL/AGM accu's zijn al geïnstalleerd en zijn klaar om te worden gebruikt

1. Controleer de accu's en sluit de accu-connector aan op het toestel.
2. Breng de contactsleutel (40) in draai deze naar de "on" positie. Als het groene lampje (37) oplicht zijn de accu's volledig opgeladen voor gebruik; Als het gele of rode lichtje (33 of 32) oplichten moeten de accu's worden opgeladen.

B) Zonder Accu's

1. Als uw computer niet met accu's is uitgerust, koop dan passende accu's [Zie de technische gegevensparagraaf]. Voor accu-keuze en installatie, wend u tot gekwalificeerde accu-verkopers.
2. Wanneer accu's klaar zijn moet u de machine en de acculader instellen volgens het type van geïnstalleerde accu's, volg dan de procedures weergegeven in de volgende paragraaf.

INSTALLATIE VAN DE ACCU EN ACCU TYPE-INSTELLING (NAT OF GEL / AGM)

Stel het toestel en het elektronische paneel in volgens het type van de accu's (NAT of GEL/AGM) van de acculader als volgt:



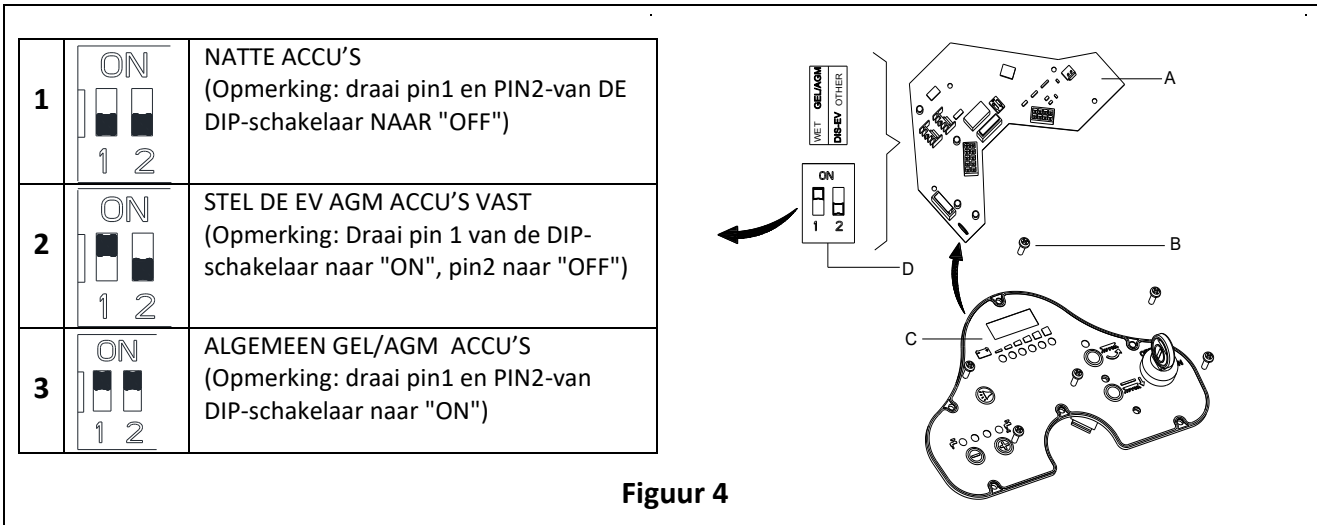
OPMERKING

Bij het installeren van nieuwe accu's, raadpleeg Figuur 4 voor het aanpassen van de DIP-schakelaar of de accu's kunnen beschadigd worden door verkeerde instelling.

Instelling van de machine

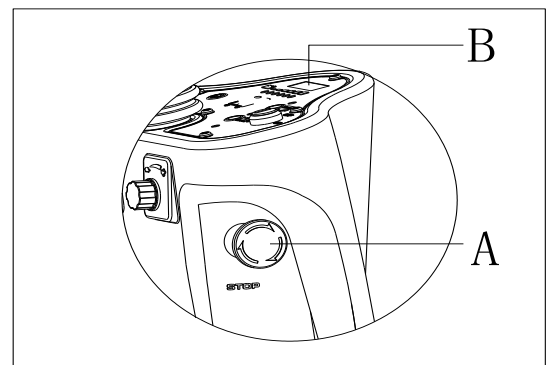
1. Voeg de sleutelschakelaar (40) in en draai naar "ON", besteed aandacht aan het onderstaande tijdens de eerste seconden van de machine-start:
 - Als het eerste groene waarschuwinglampje (37) knippert, is de machine ingesteld op GEL/AGM accu's.
 - Als het gele waarschuwinglampje (33) knippert, is de machine ingesteld op het vaststellen van EV-AGM accu's.
 - Als het rode lichtje knippert (32) is de machine ingesteld om natte accu's te gebruiken.
2. Volg de onderstaande stappen voor het wijzigen van de instellingen van de machine
3. De fabrieksinstelling is deze voor het vaststellen van de EV AGM accu's. Als de instelling overeenkomt met de geselecteerde accu's, ga dan rechtstreeks naar stap 6, of volg de volgende stap.

4. Verwijder de schroeven op bedieningspaneel (B, Figuur 4), draai dan de PCB (A) voor het vinden van de DIP-schakelaar (D) volg Figuur 4 voor DIP-instellingen.
5. Voer de stappen in de volgorde van de demontage voor het bevestigen van het bedieningsbord en het bevestigen van de schroef nadat de instelling is uitgevoerd.



Installatie van de accu

6. Open de klep voor de vuilwatertank (4) en controleer dat deze tank leeg is (3) leeg is; maak anders leeg met de afvoerslang (15).
7. Sluit de vuilwatertank af (4).
8. Draai de vuilwatertank voorzichtig (3) om.
9. De machine wordt geleverd met geschikte kabels voor het installeren van 2x12V accu's. Plaats de accu's voorzichtig in de houder en installeer ze dan correct.
10. Plaats en installeer de accudraad zoals in (Figuur 3), draai dan de moer op elke accu-terminal voorzichtig vast.
11. Plaats de beschermkap op elke terminal en sluit vervolgens de accu-connector aan.
12. Laat dan zorgvuldig de vuilwatertank zakken (3).



Figuur 5

Opladen van de accu's

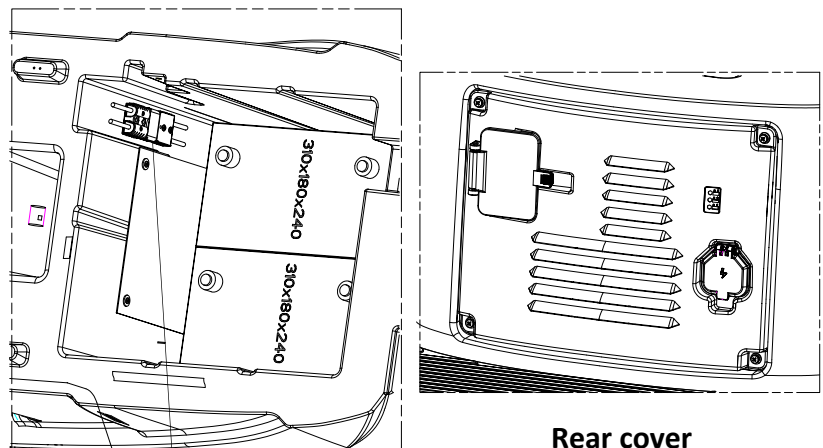
13. Opladen van de accu's [Raadpleeg de hoofdstukken over het ONDERHOUD].

Instelling van de acculader (alleen voor ingebouwde lader, indien geïnstalleerd)

Acculader

De acculader bevindt zich in het achterdeksel en is rechtstreeks aangesloten op de accu's. De lader wordt gestuurd door een microprocessor en gebruikt verschillende laadcurves voor optimale prestaties voor verschillende accutypes.

1. Maak de kabelconnector los die naar de accu's leidt.
2. Verwijder de achterdeksel.
3. Verwijder de 4 schroeven (B) en verwijder de lader (A).



Disconnect the connector

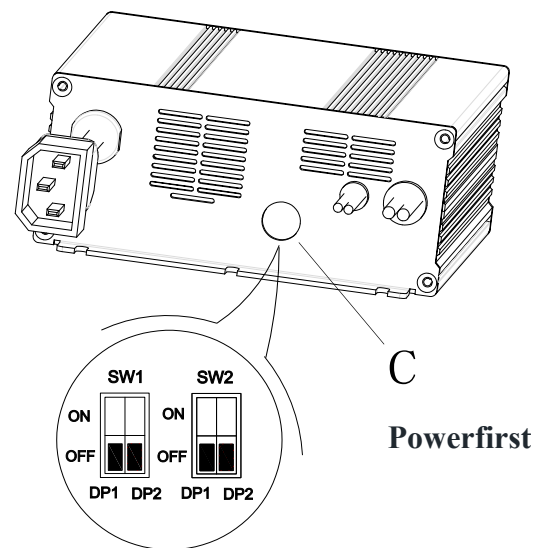
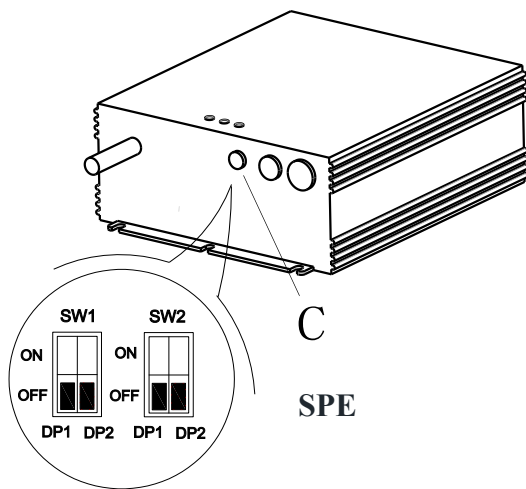
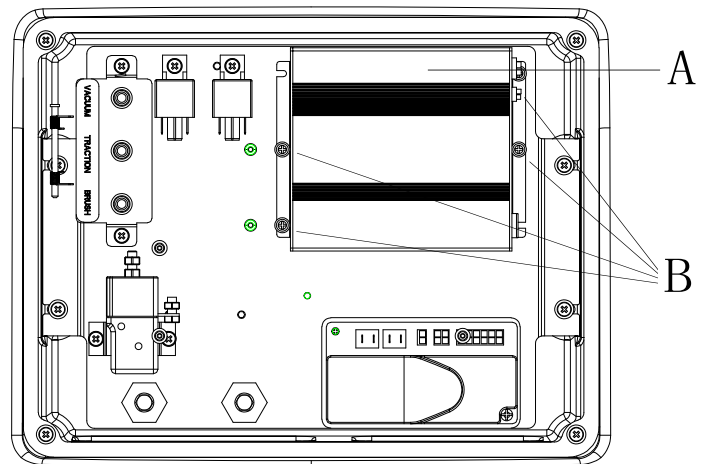
Rear cover

Accutype dipswitches

De acculader wordt bediend met 4 dipswitches (2 paren) aan de binnenkant van de achter klep. Het tweede paar schakelaars mag nooit worden aangeraakt, tenzij de lader is vervangen en de positie ervan moet worden bevestigd, stel de accuspanning (24V) en maximale stroomsterkte (10A) in en deze moet altijd in de uit-stand staan.

Het eerste paar schakelaars is toegankelijk via een plastic plug zonder de lader te openen. Deze schakelaars stellen het type laadcurve in dat voor elk type accu wordt gebruikt. Het type curve geeft aan op welke manier en in welke mate stroom en spanning worden geleverd aan de accu gedurende de verschillende fasen van de laadcyclus.

1. Verwijder de plastic plug die de toegangsoening (C) voor de DIP-schakelaars bedekt.
2. Stel de eerste 2 DIP-schakelaars (SW1) in volgens de onderstaande tabelgegevens.
3. Plaats de plastic plug weer terug.



Curve/Battery Type	SW1		SW2	
	D1	D2	D1	D2
IUIa Wet	On	Off	Off	Off
IUIa Gel Exide	Off	Off		
IUoU AGM	Off	On		
IUIa AGM Discover	On	On		

Curve/Battery Type	SW1		SW2	
	D1	D2	D1	D2
IUIa Wet	On	Off	Off	Off
IUIa Gel Exide	Off	Off		
IUUa AGM	Off	On		
IUIa AGM Discover	On	On		

NOODSITUATIE REMMEN

Als er een noodsituatie optreedt de werking van de machine drukt u op de noodschakelaar (A, Figuur 5), en vervolgens zullen alle functies van de machine stoppen, er is geen weergave op het bedieningspaneel (B, Figuur 5)

BORSTEL/HOUDER INSTALLATIE EN VERWIJDERING



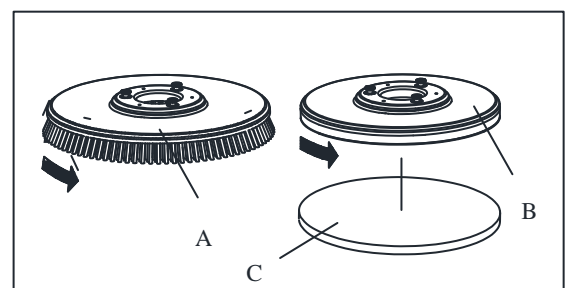
OPMERKING

Installeer een geschikte borstel (A, Figuur 6) of Pad (B en C, Figuur 6) naargelang het type vloer die moet gereinigd worden.



OPGELET

Vóór de installatie of verwijdering van de borstel of de padhouder moet er voor gezorgd worden dat alle schakelaars uitgeschakeld zijn en dat de zuigmond zich in de opgegeven toestand bevindt. De gebruiker moet voorzien worden van geschikte persoonlijke beschermmiddelen zoals handschoenen om het risico van ongevallen te beperken. Ga als volgt te werk:



Figuur 6

1. Breng de contactsleutel (40) in draai deze naar de "on" positie.
2. Druk de pedaal (6) in met de voet om de borstelmontage op te heffen borstel (11) van de vloer.
3. Draai de snelheidsknop (42) tegen de klok tot aan het einde.
4. Plaats de borstel (A, Figuur 5) of pad (B, Figuur 5) in het midden uitgelijnd met het borsteldek.
5. Druk de pedaal naar achteren (6) om de borstelmontage te laten zakken (11). Zit op de stoel, druk op de borstelknop (39) en geef de pedaal een beetje vrij (23) de borstel/pad kunnen automatisch worden gemonteerd. Herhaal deze stappen totdat de borstel/pad zijn geïnstalleerd.
6. Als Stap5 de voor het installeren van de borstel/pad niet succesvol is moet u de borstel/pad handmatig verwijderen.
7. Druk de pedaal (6) naar voren met de te voet voor het opheffen van de borstel montage (11) van de vloer, druk op de knop voor het verwijderen van de borstel (41) om automatisch te verwijderen.

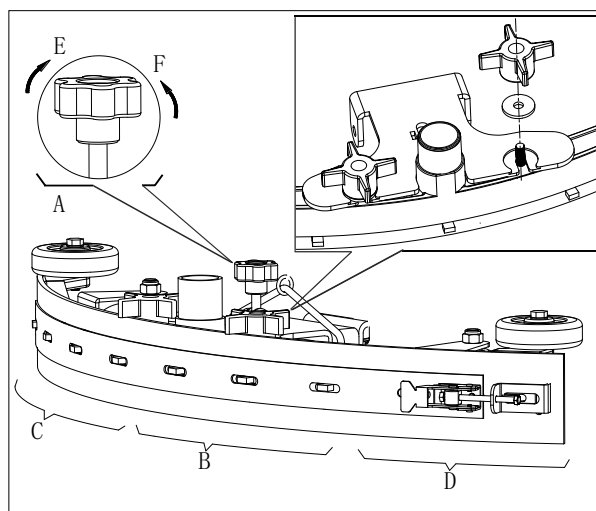


OPGELET!

Draai de snelheidsknop (42) voor het aanpassen naar de minimale snelheid voordat u de versnellingspedaal indrukt (6) om te voorkomen dat de machine te snel draait wanneer deze wordt gestart. Zorg ervoor dat de borstel/pad correct is geïnstalleerd voordat de machine werkt.

AANPASSING VAN DE BALANS VAN DE ZUIGRUBBER

1. Installeer de zuigmond (13) en zet de knop van de zuigmond vast (20), verbind daarna de vacuümslang (19) met de zuigmond.
2. Pas de zuigrubber aan door het aanpassen van de zuigrubbergreep (A, Figuur 7).
 - a) Als er is een kloof tussen de grond en het middelste gedeelte van achterste zuigrubber blad (B), de knop (A) in linksom (F) aanpassen tot alle sectie van achterste zuigrubber mes goed contact met de grond, het voorste mes licht de grond raken.
 - b) Als er een spleet is tussen zowel de grond en het eind gedeelte van het achterste blad (C en D) pas dan de achterste knop (A) rechtsom aan (E) tot alle delen van de achterste zuigrubberblad goed contact maken met de grond, het voorste blad moet de grond lichtjes raken.



Figuur 7

VULLEN VAN OPLOSSINGSTANK

1. Open het waterinlaatdeksel (E, Figuur 8).
2. Vul met water of een reinigingsmiddel die hier geschikt voor is. De oplossingstemperatuur mag zich niet boven + 104F (+40 °C) bevinden.
3. Overvul de tank niet, zie waterniveau-indicator (G) voor het watervolume.



WAARSCHUWING!

Gebruik alleen laag schuimend en niet ontvlambare reinigingsmiddel bestemd voor automatische schroftoepassingen.

Rijmotor inspectie

1. Draai de sleutelschakelaar (A, Figuur 9) naar "ON"
2. Druk lichtjes op de versnellingspedaal (C) en geef dan vrij voor het controleren of de machine kan worden bestuurd en of deze kan gestopt worden.
3. Voor veiligheid moet u bevestigen dat de machine onmiddellijk kan worden gestopt door het indrukken van de noodknop (B). Draai de noodknop om deze opnieuw in te stellen.



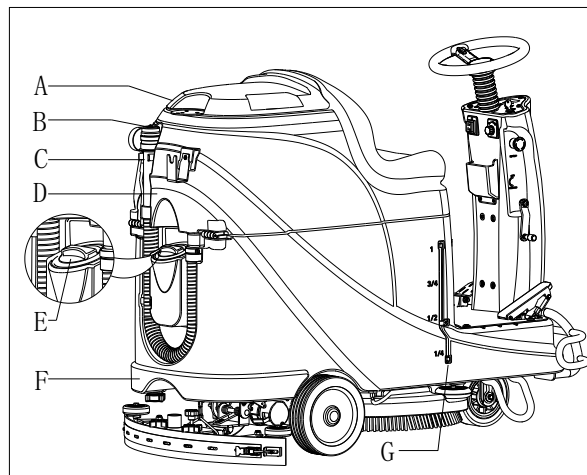
OPGELET

Klimcapaciteit van de machine mag niet meer dan 10% bedragen



OPGELET

De rem van de aandrijfmotor is vrij wanneer de motor normaal werkt, hij vergrendeld wanneer de motor stopt met werken.



Figuur 8

- -Vrij rem - de remhendel (D, Figuur 9) is onderaan te vinden
- Rem vergrendeld – de remhendel is onderaan te vinden
In sommige speciale gevallen, zoals bij de verpakking/het uitpakken, machinefouten enz., wanneer de machine moet verplaatst worden zonder dat de rijmotor werkt kunt u handmatig de rem vrijmaken voor de verplaatsing.
Om gevaar te voorkomen, zorg ervoor dat de rem opnieuw vergrendeld is nadat de machine verplaatst is.

MACHINE START EN STOP

STARTEN EN STOPPEN VAN DE MACHINE

1. Bereiden de machine voor zoals in de vorige paragraaf.
2. Zit op de stoel (L, Figuur 10), voeg de sleutelschakelaar in (A) en draai naar "ON". Als het groene lampje (C) oplicht, zijn de accu's opgeladen voor gebruik. Als het gele lichtje (E) of het rood lichtje (D) oplichten moeten de accu's worden opgeladen vóór werking. [Raadpleeg de onderhoudshoofdstukken voor het opladen van de accu's]
3. Laat de zuigmondmontage op de vloer zakken.

OPMERKING



Zorg ervoor dat de zuigmondmontage wordt opgeheven voordat de machine achteruit wordt gestuurd of de machine zal worden stopgezet en het LED-scherm zal de "Error (Fout)" informatie tonen.

4. Laat de zuigmondmontage op de vloer zakken.

OPMERKING



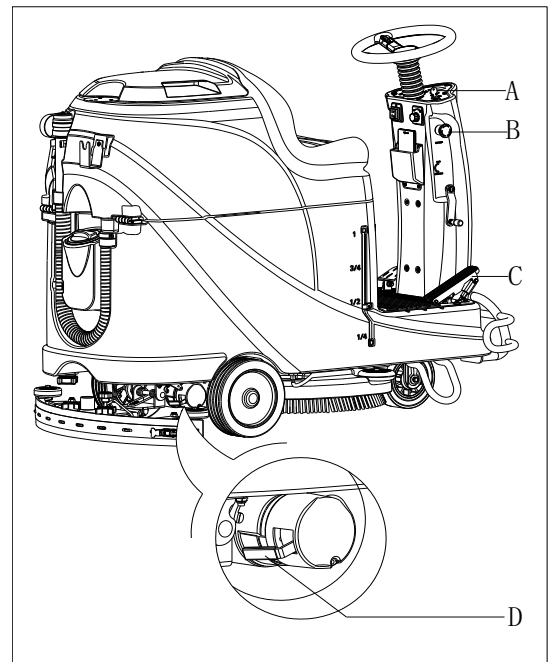
Zorg er zeker voor de borstelknop uit te schakelen voordat de borstelmontage wordt opgeheven en til de borstelmontage op voordat de machine vooruit/achteruit wordt gestuurd.

5. Druk op de knop borstelknop (B)
6. Geef de versnellingspedaal vrij (R), rijd de machine naar voren of achteruit door gebruik van het stuurwiel (N) samen met de vooruit-achteruit schakelaar (H), u kunt de snelheid aanpassen door de snelheidsregelknop (I).
7. Pas de stroom van oplossing aan door de het aanpassen van de knop (G) gebaseerd op de vereiste reiniging.
8. U kunt uw telefoon of pad opladen via de USB oplaadpoort (M) wanneer de sleutelschakelaar (A) zich in de "ON" positie bevindt.
9. Druk op de seinhoornknop (F) om mensen te waarschuwen wanneer nodig.
10. Indien nodig, druk op de noodknop voor een machine noodstop.

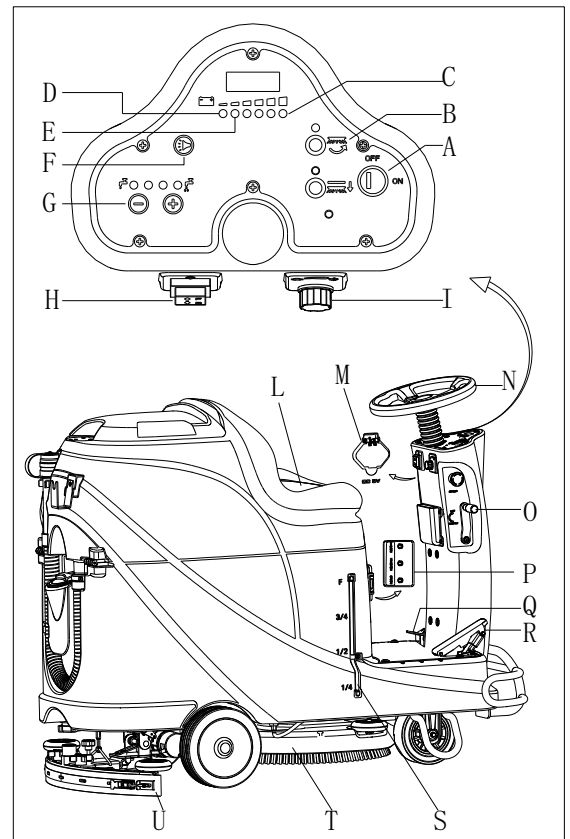
OPMERKING



De borstelmotor, vacuümmotor, aandrijfmotor en het controlecircuit worden beschermd door een overbelasting sbescherming sinrichting (P). Wanneer de overbelasting sbescherming geactiveerd wordt, herstel dan niet onmiddellijk zonder het vinden van de oorzaak, en zorg ervoor dat de motor is afgekoeld voordat u deze opnieuw inschakelt



Figuur 9



Figuur 10

Stoppen van de machine

11. Geef de versnellingspedaal vrij (R, Figuur 10) en de machine stopt.
12. Druk op de borstelknop (B) om te stoppen met de borstelmotor.
13. Til de borstelmontage op (T) door het indrukken van de pedaal (Q).

14. Til de zuigmondmontage op (U) door de hendel voor het heffen of verlagen (O), en een paar seconden later zal het vacuümsysteem worden afgesloten.
15. Draai de contactsleutel (A) naar "OFF".
16. Zorg ervoor dat de machine is gestopt.

MACHINEGEBRUIK (SCHROBBEN EN DROGEN)

1. Start de machine volgens de procedures in de vorige hoofdstukken.
2. Beginnen met reinigen door het volgen van de volgende procedures in de sectie "Starten van de machine".
3. Indien nodig, stop de machine om te zuigmond aan te passenvolgens sectie "Aanpassing van de zuigmondbalans".



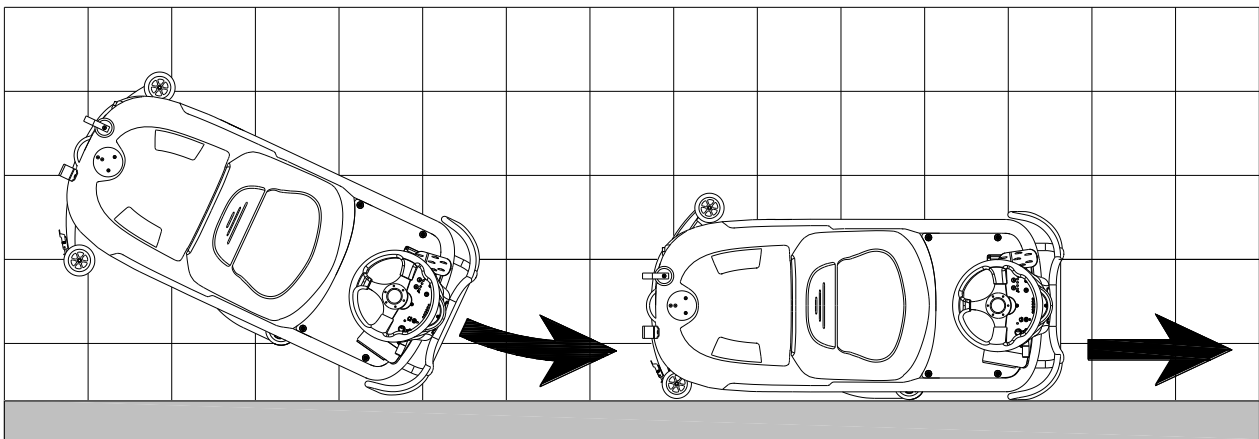
LET OP!

Om schade te voorkomen aan het oppervlak van de vloer, moet de borstel/pad worden wanneer de machine stopt op één plaats.



OPMERKING

Voor het juiste schrobben/drogen van vloeren aan de zijkanten van de muren stellen we voor om het toestel naar de muur te bewegen met de rechterkant van de machine (bumperwielkant) zoals getoond in onderstaande Figuur 11.



Figuur 11

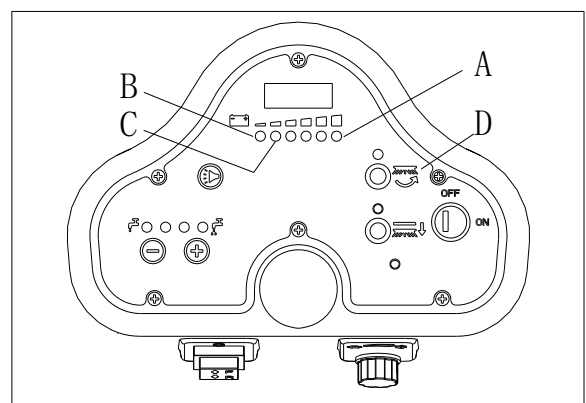
Accu opladen tijdens werking

Als er een groen lichtje oplicht (A, Figuur 12), hebben de accu's voldoende stroom voor een normale werking van de machine; Wanneer alle groene lichtjes gedoofd zijn en het gele lampje (C, Figuur 12) is ingeschakeld, is het vermogen van de accu's te laag, laad de accu's op; Als het rode lampje (B, Figuur 12) knippert, zijn de accu's uitgeput, de vacuümmotor en borstelmotor zullen automatisch worden na enkele seconden vertraging, laad de accu's van de machine onmiddellijk op.



LET OP!

Gebruik de machine niet met ontladen accu's, om beschadiging van de accu's te voorkomen en de levensduur ervan te verminderen.



Figuur 12

LOZEN VAN DE TANK

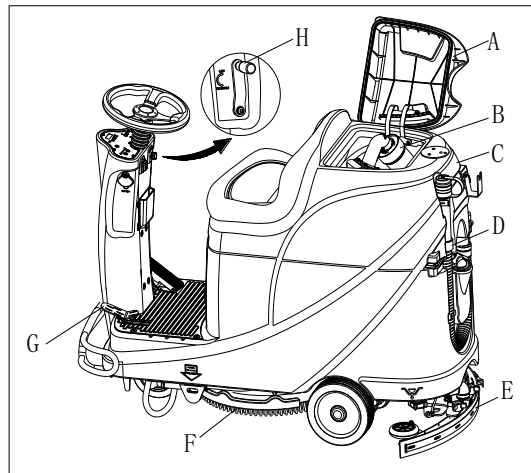
Een automatisch vlotter uitschakelsysteem (B, Figuur 13) blokkeert het vacuümsysteem wanneer het herstel waterreservoir (C) vol is. De deactivatie van het vacuümsysteem wordt gesignaleerd door een plotselinge toename in de frequentie van vacuümsysteem motorlawaai en de vloer wordt ook niet gedroogd.



LET OP!

Als het vacuümsysteem per per ongeluk wordt uitgeschakeld (bijvoorbeeld wanneer de vlotter is geactiveerd vanwege een plotselinge machinebeweging), om de werking te hervatten: schakel het vacuümsysteem uit door het indrukken van de schakelaar (D, Figuur 12) en daarna opent u de klep (A, Figuur 11) en controleert u dat de vlotter binnen het rooster (B) is gedaald naar het waterniveau. Sluit vervolgens de klep (A) en schakel het vacuümsysteem in door het indrukken van de schakelaar (D, Figuur 12).

Wanneer de vuilwatertank (C, Figuur 13) gevuld is, moet deze geleegd worden volgens de volgende procedure.



Figuur 13

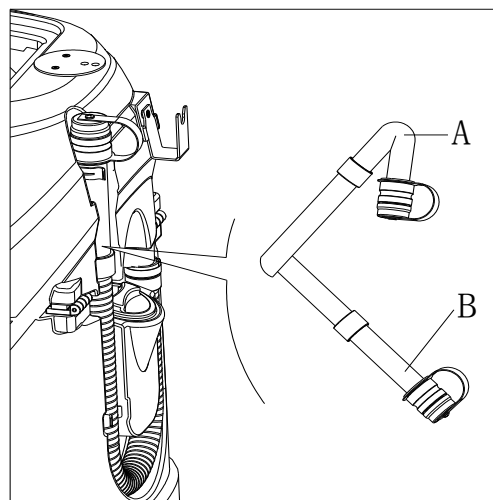
Lozen van de vuilwatertank

1. Stop de machine.
2. Til het dek voor de borstel/padhouder (H, Figuur 12) op door het indrukken van het pedaal (G).
3. Til de zuigmond met de hendel (H).
4. Rijd de machine naar het aangewezen gebied voor lozing.
5. Leeg de vuilwatertank met de slang (D). Spoel dan de tank uit met schoon water.



LET OP!

Tijdens het afvoeren van het afvalwater moet de afvoerslang worden gevouwen (A, Figuur 14) en in een lage positie worden gebracht (B, Figuur 14) alvorens de afdekking van de afvoerslang te openen. Houdt de uitlaat van de afvoerslang niet omhoog om het water verticaal af te voeren zodat het water op de bedienaar zou kunnen morsen.



Figuur 14

Oplossing/schoonwater tank leegmaken

6. Voer stappen 1 tot en met 4 uit in hoofdstuk "Herstel watertank leegmaken".
7. Maak de oplossingstank leeg door de uitlaatafdekking (A, Figuur 15). en spoel vervolgens de tank met schoon water.

NA HET GEBRUIK VAN DE MACHINE

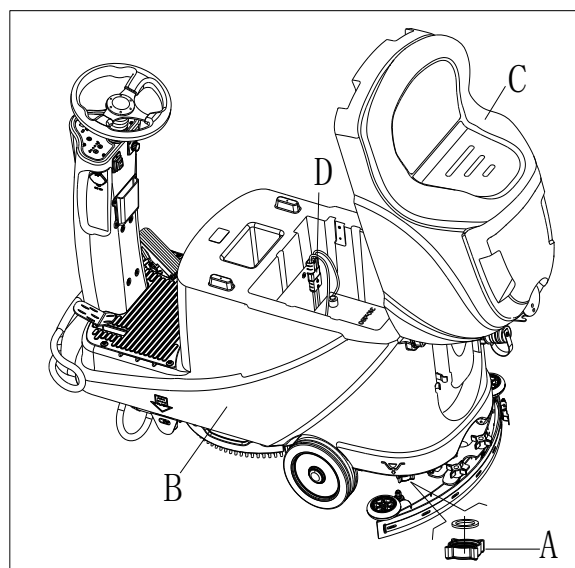
Na het gebruik, vóór het verlaten van de machine:

1. Verwijder de borstels/padhouders.
2. Maak de tanks leeg de tanks (B en C, Figuur 15) zoals aangetoond in de vorige paragraaf.
3. Voer de dagelijkse onderhoudsprocedures uit (Zie het hoofdstuk onderhoud).
4. Stal de machine op en schone, en droge plaats, met de borstels/padhouders en de zuigmond opgeheven of verwijderd.

MACHINE LANGE INACTIVITEIT

Als de machine voor meer dan 30 dagen niet gebruikt gaat worden, gaat u als volgt te werk:

1. Volg de procedures uit die getoond worden in "Na het gebruik van machine".
2. Ontkoppel de accuconnector (D, Figuur 15).



Figuur 15

GEBRUIK VOOR DE EERSTE KEER

Controleer op eventuele schade of abnormale situaties nadat u de machine voor de eerste keer gebruikt na negen uur, controleer of de bevestigingsmiddelen of hulpstukken losgeraakt zijn.

ONDERHOUD



WAARSCHUWING!

Onderhoudsprocedures moeten worden uitgevoerd nadat de machine is uitgeschakeld en de kabel van de batterijlader is losgekoppeld. Bovendien moeten de veiligheidshoofdstukken in deze handleiding zorgvuldig gelezen worden.

Alle geplande of buitengewone onderhoudsprocedures moeten worden uitgevoerd door gekwalificeerd personeel of een erkend Service Center. Deze handleiding beschrijft alleen de algemene en gewoonlijke onderhoudsprocedures. Raadpleeg voor andere onderhoudsprocedures, die niet in onderstaande tabel onderhoud gepland staan, de onderhoudshandleiding die kan worden geraadpleegd in het Service Center van ons bedrijf.

GEPLANDE ONDERHOUDSTABEL



LET OP!

De procedure gemarkeerd met (1) moet worden uitgevoerd wanneer de machine wordt gebruikt na 9 uur voor de eerste keer.

De procedure gemarkeerd met (2) moet worden uitgevoerd door een Servicecenter dat gekwalificeerd is door ons bedrijf.

Procedure	Dagelijks, na elk gebruik	Wekelijks	halfjaarlijks	Jaarlijks
Opladen van de batterij				
Zuigrubber schoonmaken				
Borstel / Padhouder schoonmaken				
Tankreiniging				
Tank Verzegelingstripcontrole				
Vlotterbalfilter schoonmaken				
Zuigrubberblad controleren en vervangen				
Reinigingswater filter schoonmaken				
Zuigfilter reiniging				
NATTE accu vloeistof niveau controle				
Schroef en moer stevigheidscontrole			(1)	
Borstel / padhouder koolstofborstel controle of vervanging				(2)
Zuigmotor koolstofborstel controle of vervanging				(2)
Rijstelsysteem motor koolstofborstel of vervanging (alleen voor machine met tractie)				(2)
Voeg smeerolie voor roterende onderdelen toe			(1)	

OPLADEN VAN DE BATTERIJ



OPMERKING

Laad de batterijen op wanneer de gele (32) of rode LED (33) oplichten, of aan het einde van elke werkcyclus.



LET OP

Het continu bewaren van de accu in een volledig opgeladen staat kan de levensduur verlengen.



LET OP

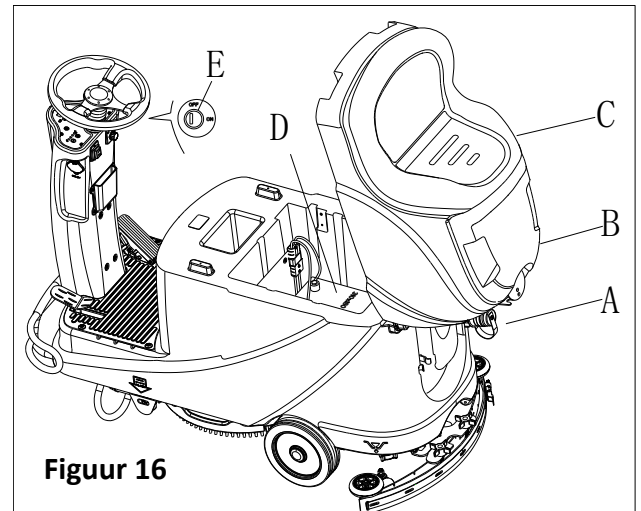
Laad de batterij zo snel als mogelijk op als het niveau van de batterij laag is, anders kan de levensduur van de batterij worden verminderd. Het is best de status van de batterijen ten minste eenmaal per week te controleren.

**LET OP!**

Let tijdens het opladen van de accu's dat er geen accuvloeistof lekkages optreden. Accu-zuur is corrosief. Als de vloeistof per ongeluk in contact komt met de huid of de ogen, spoel dan grondig met water en raadpleeg een arts.

De voorbereidingsstappen voor het opladen van de accu's

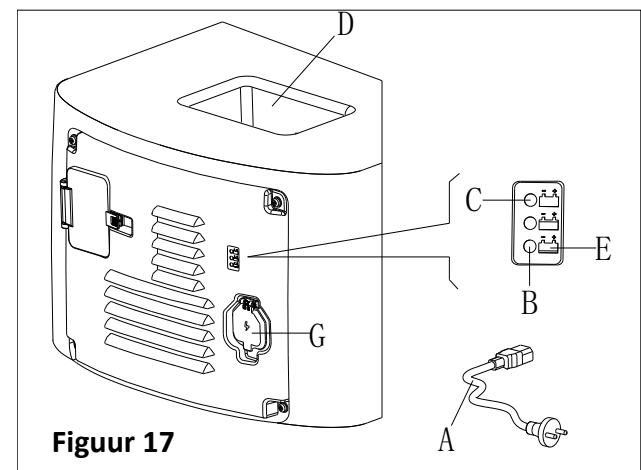
1. Open de vuilwatertankklep (B, Figuur 16) voor het controleren of de vuilwatertank (C) leeg is, maak deze anders leeg door middel van de afvoerslang (A).
2. Rijd de machine naar het aangewezen oplaadgebied:
3. Draai de contactsleutel naar "OFF".
4. Deze stap enkel voor natte accu's:
 - Reinig het oppervlak van de accu zo nodig.
 - Controleer de hoeveelheid elektrolyten in de accu's (D); indien nodig, vul aan en bedek dan opnieuw.
 - Houd de klep geopend tijdens het opladen.
5. Selecteer één van de onderstaande modi gebaseerd op het type van de geselecteerde oplader.



Figuur 16

Gebruik de onboardlader voor het opladen van de accu's

6. Verbind de accu oplaadkabel (A, Figuur 17) met het lichtnet (G) en schakel vervolgens alle functies van de machine uit behalve het automatisch opladen. Het rode lichtje (B) laat weten dat de machine wordt opgeladen.
7. De accu's zijn volledig opgeladen zodra het groene LED-lichtje (C) oplicht.
8. Wanneer het opladen van de accu is voltooid, verbreek dan het contact van de accu-laderkabel en sla de oplaadkabels op in de opslagkist(D).



Figuur 17

**OPMERKING**

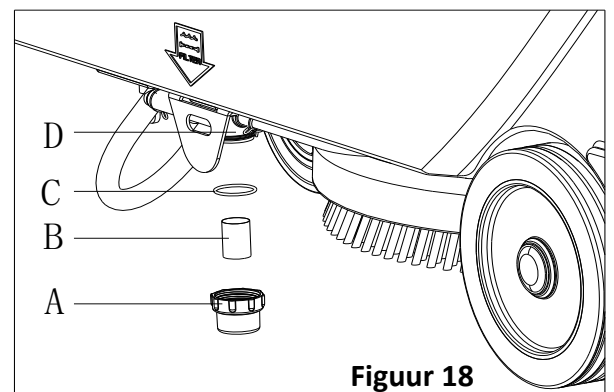
Voor meer informatie over een onboardlader (E, Figuur 17), Raadpleeg de relevante handleiding van het servicecentrum.

BORSTEL/PAD SCHOONMAKEN

**LET OP!**

Het is aanbevolen om handschoenen te dragen bij het schoonmaken van de borstel of de padhouder aangezien dit het scherpe deeltjes kan bevatten.

1. Verwijder de borstel / padhouder van de basis volgens de procedures in de vorige hoofdstukken.
2. Reinig de borstel / padhouder met behulp van water en detergent.
3. Controleer de integriteit en schuurmogelijkheid van de borstel, vervang indien nodig de borstel.
4. Controleer de schuurmogelijkheid van het polijstpad, vervang indien nodig.



Figuur 18

OPLOSSINGSFILTER REINIGEN

1. Rijd de machine naar platte grond:
2. Zorg ervoor dat de machine is uitgeschakeld.
3. Loos de oplossingstank (optionele stap).
4. Verwijder de oplossingsfilter (A, Figuur 18) om het filterscherm (B) schoon te maken, en bevestig terug op de filtersteun (D).



OPMERKING

Het filterscherm (B) moet correct worden geplaatst op de behuizing van de filtersteun (D).

SCHOONMAKEN VAN DE ZUIGMOND



OPMERKING

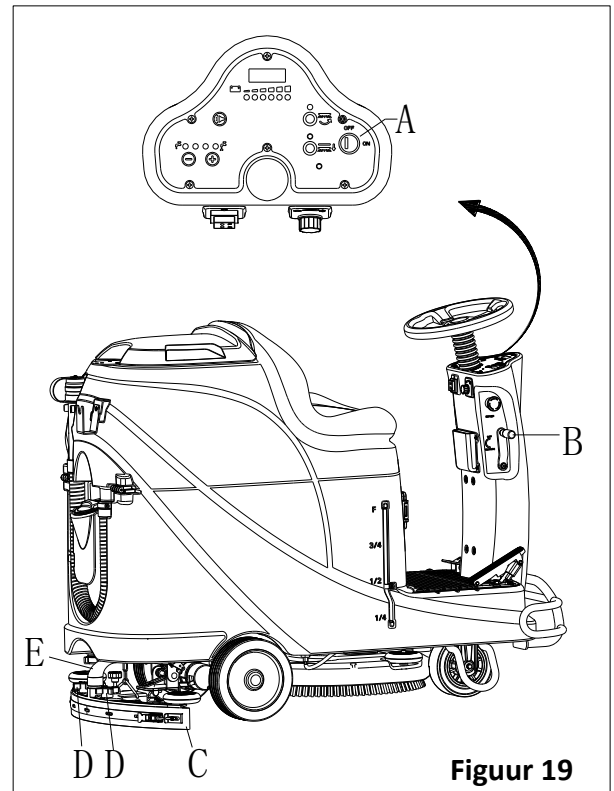
De zuigmond moet schoon en de rubber onderdelen moeten zich in goede conditie bevinden voor een goed drogen.



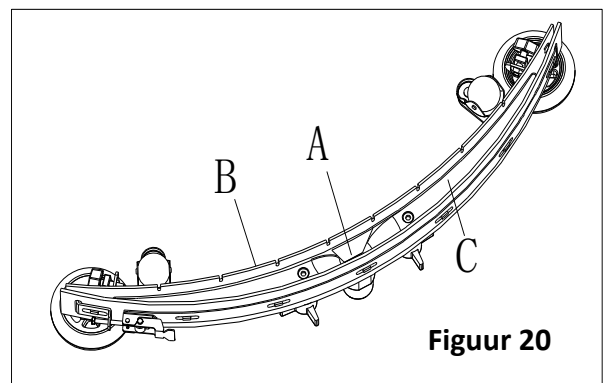
LET OP

Het is raadzaam om gebruik te maken van beschermende handschoenen bij het reinigen van de zuigmond omdat er mogelijk scherp afval aanwezig kan zijn.

1. Rijd de machine naar een egale vloer.
2. Draai de sleutelschakelaar (A, Figuur 19) naar "OFF"
3. Laat de zuigmond (B) zakken met de hendel (C).
4. Geef de knoppen vrij (D) los en verwijder de zuigmond.
5. Ontkoppel de vacuümslang (E) van de zuigmond.
6. Reinig het staal van de aluminium zuigmond, in het bijzonder de compartimenten (A, Figuur 20) en de openingen (B). Controleer het voorste mes (B) en het achterste mes (C) op integriteit, slijtage en scheuren; vervang indien nodig (Zie de procedure in de volgende paragraaf).
7. Monteer de zuigmond in de omgekeerde volgorde van de demontage.



Figuur 19



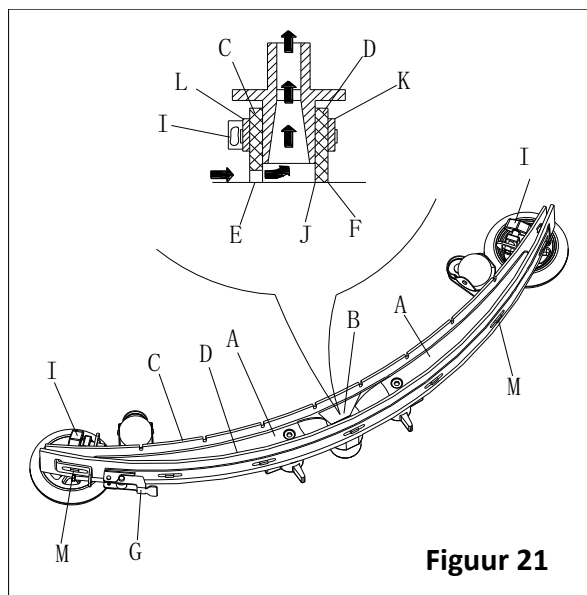
Figuur 20

ZUIGMONDRUBBER CONTROLE EN VERVANGING

1. Reinig het staal van de aluminium zuigmond zoals beschreven in de vorige paragraaf.
2. Controleer of de randen (E, Figuur 21) van de voorste rubber (C) en de randen (F) van de achterste rubber (D) leg neer op hetzelfde niveau, langs de lengte; indien nodig moet de hoogte aangepast worden volgens de volgende procedure:
 - Verwijder de trekstang (G), maak de bevestigingsmiddelen los (M) en pas de achterste rubber aan (D), bevestig dan opnieuw de bevestigingsmiddelen (M) en installeer de trekstang opnieuw (G).
 - Draai de knoppen (I) los en pas de voorste rubber (C) aan, draai dan de knoppen weer aan.
3. Controleer de voorste rubber (C) en de achterste rubber (D) op slijtage, scheuren en barsten; indien nodig kunt u deze vervangen volgens de volgende procedure. Controleer dan de voorste hoek (J) van de achterste rubber (D) op slijtage; indien nodig keer de rubber om ter vervanging van de versleten hoek met een integraal deel. Als de andere hoeken ook versleten zijn, vervangt u de rubberen delen volgens de volgende procedure:
 - Verwijder de trekstang (G), maak de bevestigingsmiddelen (M) los en verwijder de bevestigingsstrip (K), dan vervang/keer het achterste rubber deel om (D). Monteer het rubber deel in de omgekeerde volgorde van de demontage.
 - Draai de knoppen (I) los en verwijder de bevestigingsstrip (L), vervang dan het voorste rubberen deel (C). Monteer het rubber deel in de omgekeerde volgorde van de demontage. Na vervanging (of het omkeren), pas de hoogte aan zoals beschreven in de vorige stap.
4. Koppel de vacuümslang aan (A, Figuur 22) naar de zuigmond.
5. Installeer de zuigmond (B) en bevestig de knoppen (C).
6. Indien nodig, pas het evenwicht aan van de regelknop voor de zuigmond (D).

TANK AND VACUUMROOSTER MET VLOTTERREINIGING EN DEKSELPAKKINGSCONTROLE

1. Rijd de machine naar een horizontale vloer.
2. Zorg ervoor zorgen dat de machine uitgeschakeld is en dat de contactsleutel (40) Verwijderd is.
3. Draai het deksel van de vuilwatertank (A, Figuur 23) 90 graden zodat het van de tank kan genomen worden en verwijder vervolgens de vlotterbalfilter (P) uit de tank.
4. Reinig het deksel van de vuilwatertank (A), schoonwatertank (B), (C) en de vlotterbalfilter steunframe (E). Maak de vuilwatertank leeg met de afvoerslang (15).
5. Volg indien nodig de symbolen "OPEN" en "CLOSE" (sluiten) zoals in Figuur 23 om de onderkant te openen (F) van de de vlotterbalfilter en maak vervolgens de vlotterbalfiltersteun (D) schoon samen met de (E) filterspons, (I). Na het schoonmaken, bevestig de vlotterbal (D) in het het filtersteunkader (E) en lijn vervolgens de markeringsgroef (L) uit (E). Schroef de dop van het bodemdeksel van de vlotterbalfilter stevig aan en bevestigen de filterspons (I) op het zwevende filter steunkader (E). Sluit tenslotte de zuigslang aan op het afvalwater (M).
6. Controleer de integriteit van de tankafdichtstrip.



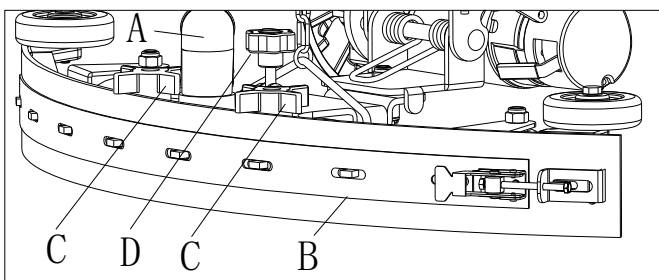
Figuur 21



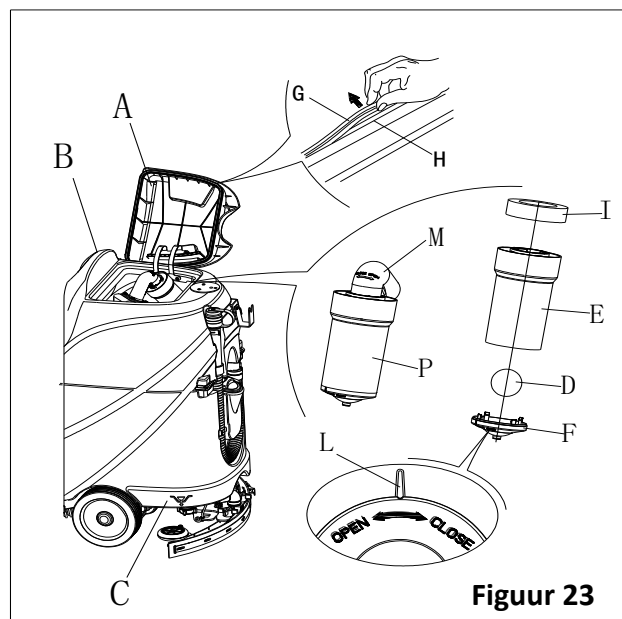
OPMERKING

De tankafdichtingsstrip (G) produceert het vacuüm in de tank wanneer de zuigmotor werkt. De tank moet worden verzegeld zodat het water effectief vanop de grond kan opgezogen worden en afgevoerd worden naar de vuilwatertank.

7. Controleer de integriteit van het contactoppervlak (G) Controleer of de integriteit is en verzegeling voldoende is. Indien nodig verwijder de verzegelingsstrip uit de tank uit de groef (H) en vervang. Monteer de nieuwe verzegelingsstrip zoals in Figuur 23, de naad moet zich in het middelste gebied bevinden.
8. Sluit het deksel van de vuilwatertank (A).



Figuur 22



Figuur 23

CONTROLE / VERVANGING VAN DE ZEKERING

1. Draai de sleutelschakelaar (D, Figuur 24) naar "OFF"
2. Ontkoppel de accu-connectorkabel.
3. Verwijder de schroeven (C) op het bedieningspaneel en draai vervolgens de PCBA voor het vinden van de zekering (A en B).
4. Controleer / Vervang de zekeringen:
 - A) F1 is de spaarstand circuitzekering (5A)
 - B) F3 zekering, borstel vrijgavezekering: (20A)
5. Nadat controle/vervanging is uitgevoerd, monteer opnieuw in de volgorde van het demonteren.
6. Controleer of stel de motor overbelastingsbeschermingsinrichting weer in.
 - E) F5 is vacuüm motor overbelastingsbeschermingsinrichting (30A)
 - F) F4 is rijmotor overbelastingsbeschermingsinrichting (30A)
 - G) F2 is borstelmotor overbelastingsbeschermingsinrichting (30A)

ACCESSOIRES/OPTIES

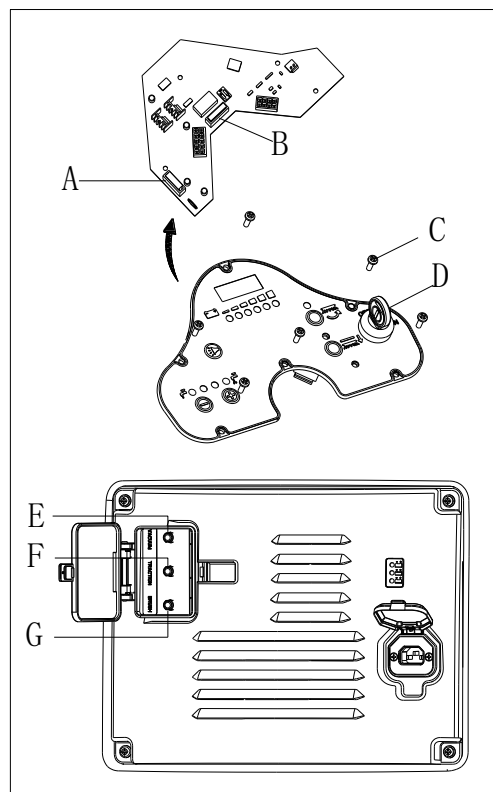
Naast de standaard onderdelen, kan de machine uitgerust worden met de volgende accessoires/opties, afhankelijk van het specifieke gebruik van de machine.

Neem contact op met een erkende detailhandelaar voor meer informatie over de bovengenoemde optionele accessoires.

Accessoires/Opties

Zie sectie "Onderdelenlijst"

1. GEL/AGM accu's
2. Pads van verschillende materialen



Figuur 24

PROBLEEMOPLOSSING

Problemen	Waarschijnlijke oorzaken	Oplossing
De motoren werken niet; geen waarschuwingslampje licht op (C9)	De accu-connector is verbroken.	Sluit de accu-connector aan.
	De accu's zijn volledig ontladen.	Laad de accu's op.
De machine werkt niet, rode accu-capaciteit waarschuwingslampje gaat aan (C8)	Het accu-niveau is te laag	Laad de accu's op.
De machine gaat niet vooruit of achteruit	Bedieningsprintplaat fout	Vervang de bedieningsprintplaat
	Fout van de rijmotor bediening	Raadpleeg de "RIJMOTOR INDICATOR FOUTINFORMATIE"
	De gebruiker zit niet op de stoel	Zit op de stoel
	Zuigmond is niet opgeheven wanneer machine achteruit draait	Hef de zuigmond op
De borstelmotor werkt niet	Bedieningsprintplaat fout	Vervang de bedieningsprintplaat
	Borstelmotor overbelasting	Gebruik een zachte borstel die geschikt is voor het reinigen en stel dan opnieuw de motor overbelasting sbescherming sinrichting in
	Borstelmotor overbelastingsfout	Contacteer de na-verkoopsdienst
	Borstelmotor koolstofborstel slijtage	Contacteer de na-verkoopsdienst
	Obstakels verhinderen de borstel te roteren	Reinig de borstel
De rijmotor werkt niet	Het problemenlampje van de rijmotor licht op	Raadpleeg de "RIJMOTOR INDICATOR FOUTINFORMATIE"
	Rijmotor overbelastingsbeschermingsinrichting	Stel de motor overbelasting sbescherming sinrichting weer in en controleer de rijmotor / circuit.

De vacuümmotor werkt niet	Vacuümmotor overbelasting	Stel de vacuümmotor overbelasting sbescherming sinrichting weer in en controleer de vacuümmotor.
	Relais van vacuüm motorfout	Contacteer de na-verkoopdienst
	FOUT BEDIENINGSPANEEL	Vervang het bedieningsbord
Onvoldoende zuiging, de vloer kan niet worden gedroogd	De vuilwatertank is vol.	Loos de vuilwatertank.
	Loos de afvoer en zuigrubbers, slechte verbinding	Sluit de afvoerslang en zuigrubbers correct aan
	Filter vlotterarmfout	Reinig de vlotterarmfilter en de status van de vlotter
	Zuigmond is vuil of versleten	Controleer en reinig de zuigmond
	De vuilwatertank is niet goed gesloten, of de pakking is beschadigd, of de gebogen buis is verstopt.	Sluit de klep correct of vervang de pakking, reinig de gebogen buis.
	De tank voor het vuilwater is verontreinigd.	Reinig de vuilwatertank.
Onvoldoende oplossingslevering naar de borstelplaat	De oplossingsfilter is vuil	Reinig de filter
	De indicator die aangeeft dat de oplossingstank leeg is, is opgelicht	Vul de oplossingstank
	De oplossingstank is verontreinigd.	Reinig de oplossingstank
De zuigmond krast de vloer	Er zit vuil onder de rubberen delen van zuigmond.	Verwijder het vuil.
	Zuigmond bladslijtage, barsten, slijtage	Vervang de zuigmondmessen
	Het evenwicht van de zuigmond wordt niet aangepast	Het zuigmondevenwicht aanpassen
Rijmotor remfout	De rem is vergrendeld	Geef de rem vrij

RIJMOTOR FOUT-INDICATOR INFORMATIE"

LED-CODES		FOUT	MOGELIJKE REDEN
1.1	□□	THERMISCHE FOUT	1. Temperatuur > 80° C of <-10 ° C. 2. Buitensporige belasting op voertuig. 3. Werking in extreme omgevingen. 4. Elektromagnetische rem wordt niet vrijgegeven.
1.2	□□□	GASPEDAALFOUT	1. Gaspedaal open of kortgesloten. 2. Gaspedaalpot defect. 3. Verkeerde gashendel type geselecteerd.
1.3	□□□□	SNELHEID POT SCHULD	1. Snelheidslimiet pot draad (draden) gebroken of kortgesloten. 2. Defecte snelheidslimiet pot.
1.4	□□□□□	ONDERSPANNINGFOUT	1. Accuspanning < 17 volt. 2. Slechte verbinding bij accu of controller.
1.5	□□□□□□	OVERSPANNINGFOUT	1. Accuspanning > 31 volt. 2. Voertuig met oplader aangesloten. 3. Intermitterende accuverbinding.
2.1	□□□	Belangrijkste UIT FOUT	1. Belangrijkste stuurprogramma fout open.
2.3	□□□□□	Belangrijkste FOUT *	1. Belangrijkste contactor gelast of vast open. 2. Belangrijkste contactor driverfout.
2.4	□□□□□□	BELANGRIJKSTE ON FOUT	1. Belangrijkste contactor stuurprogramma gesloten.
3.1	□□□□	BEDRADINGSFOUT *	1. Niet aangepast gaspedaal. 2. Gebroken gashendel pot of gaspedaal mechanisme.
3.2	□□□□□	REM AAN FOUT	1. Elektromagnetische rem stuurprogramma kortgesloten. 2. Elektromagnetische remspoel open.
3.3	□□□□□□	VOORLADINGSFOUT *	1. Rem stuurprogramma kortgesloten. 2. Voorlading circuit beschadigd. 3. MOSFET fout

3.4	□□□□□□□□	REM UIT FOUT	1. Elektromagnetische rem stuurprogramma open. 2. Elektromagnetische remspoel kortgesloten.
3.5	□□□□□□□□	HPD FOUT	1. Onjuiste volgorde van gaspedaal en KSI, push, of voorkomt input. 2. Fout aangepaste gaspedaal pot.
4.1	□□□□□□	STROOMVOELFOUT *	1. Kortsluiting in motor of motorbedrading. 2. Fout van de controller.
4.2	□□□□□□	HARDWARE FAILSAFE *	1. Motorspanning komt niet overeen met gashendel verzoek. 2. Kortsluiting in motor of motorbedrading. 3. Fout van de controller.
4.3	□□□□□□□□	EEPROM CHECKSUM FOUT †	1. EEPROM fout
4.5	□□□□□□□□□□	ACCU ONTKOPPELINGSFOUT *	1. ACCU IS NIET AANGESLOTEN. 2. Slechte verbinding met terminals van de accu.

* = Moet Must cyclustoetsen om te wissen.

† = Moet gebruik maken van een programmeur voor het wissen, als volgt: Selecteer menu programma, de gegevenswaarde van elke parameter veranderen, cyclus sleutelschakelaar.



OPMERKING

De machine die is uitgerust met een onboardcharger zal niet worden bediend als de onboardlader defect is, neem contact op met ons gekwalificeerd onderhoudscentrum voor hulp.

SLOOP

Verwijder de machine via een instelling gekwalificeerd voor afvalverwerking.

Voordat de machine wordt gesloopt, verwijder de onderstaande materialen volgens de relevante wet- en regelgeving.

- Batterij
- Borstel /padhouder
- Plastic slang en kunststof onderdelen
- Elektrische en elektronische onderdelen (*)

(*) Neem contact op met ons servicecentrum voor het vernietigen van elektrische en elektronische componenten.

TAVOLA DEI CONTENUTI

INTRODUZIONE	111
CONTENUTO E SCOPO DEL MANUALE	111
COME CONSERVARE QUESTO MANUALE	111
DICHIARAZIONE DI CONFORMITÀ.....	111
ACCESSORI E MANUTENZIONE	111
MODIFICHE E MIGLIORAMENTI	111
GAMMA DI APPLICAZIONI	111
DATI IDENTIFICATIVI DELLA MACCHINA	111
TRASPORTO E DISIMBALLO.....	111
SICUREZZA	112
SIMBOLI CHE APPAIONO SUL MANUALE DI ISTRUZIONI PER L'USO	112
ISTRUZIONI GENERALI DI SICUREZZA.....	112
DESCRIZIONE DELLA MACCHINA	114
STRUTTURA DELLA MACCHINA.....	114
PANNELLO DI CONTROLLO	115
INFORMAZIONI SU SCHERMO LED.....	115
DISPLAY DELL'INDICATORE DI RICARICA BATTERIA	115
PARAMETRI TECNICI	116
SCHEMA DEL CIRCUITO.....	117
GUIDA OPERATIVA	119
INSTALLAZIONE E IMPOSTAZIONE DI UNA BATTERIA DELLA MACCHINA NUOVA	119
INSTALLAZIONE DELLE BATTERIE E IMPOSTAZIONE DEL TIPO DI BATTERIE (WET O GEL/ AGM)	119
FRENATA DI EMERGENZA	121
INSTALLAZIONE E DISINSTALLAZIONE DI SPAZZOLA/CUSCINETTO	121
REGOLAZIONE DEL BILANCIAMENTO DEL TERGIPAVIMENTO	122
RIEMPIMENTO DEL SERBATOIO DI SOLUZIONE.....	122
AVVIARE E FERMARE LA MACCHINA	123
FUNZIONAMENTO DELLA MACCHINA (LAVAGGIO E ASCIUGATURA).....	124
SVUOTAMENTO DEL SERBATOIO.....	125
DOPO AVER USATO LA MACCHINA.....	125
LUNGA INATTIVITÀ DELLA MACCHINA	125
PRIMO UTILIZZO DELLA MACCHINA	126
MANUTENZIONE	126
TABELLA DI MANUTENZIONE PROGRAMMATA.....	126
RICARICA DELLE BATTERIE	126
PULIZIA SPAZZOLE/DISCO TRASCINATORE	127
PULIZIA DEL FILTRO DI SOLUZIONE.....	128
PULIRE IL TERGIPAVIMENTO.....	128
VERIFICA E SOSTITUZIONE DELLA LAMA DEL TERGIPAVIMENTO	128
PULIZIA SERBATOIO E GRIGLIA DI ASPIRAZIONE CON GALLEGGIANTE E VERIFICA GUARNIZIONE DEL COPERCHIO	129
VERIFICA/SOSTITUZIONE FUSIBILE	130
ACCESSORI/OPTIONAL.....	130
RISOLUZIONE DEI PROBLEMI	130
SMALTIMENTO	132

INTRODUZIONE



NOTA

I numeri tra parentesi si riferiscono alle parti elencate nel capitolo **Descrizione della Macchina**.

CONTENUTO E SCOPO DEL MANUALE

Lo scopo di questo Manuale di Istruzioni per l'Uso è di fornire all'operatore le informazioni necessarie ad un uso corretto e sicuro della macchina. Contiene informazioni circa dai tecnici, sicurezza, funzionamento, conservazione, manutenzione, parti di ricambio e modalità di rottamazione.

Prima di eseguire un qualsiasi intervento sulla macchina, anche da parte di operatori e personale tecnico qualificato, bisogna leggere con attenzione questo Manuale. Contattare il Centro Assistenza Tecnica del produttore per qualsiasi richiesta circa questo manuale o eventuali ulteriori informazioni necessarie.

Gli utenti non devono compiere operazioni che dovrebbero essere eseguite da tecnici qualificati. La nostra Compagnia non risponderà di eventuali danni dovuti alla non-osservanza di tale divieto.

COME CONSERVARE QUESTO MANUALE

Il Manuale deve essere conservato accanto alla macchina, dentro un adeguato contenitore, lontano da liquidi o altre sostanze che possano danneggiarlo in qualche modo.

DICHIARAZIONE DI CONFORMITÀ

La dichiarazione di Conformità viene fornita con la macchina e certifica la sua conformità alle vigenti leggi.



NOTA

Copie della dichiarazione originale sono fornite insieme con la documentazione relative alla macchina.

ACCESSORI E MANUTENZIONE

Tutte le operazioni necessarie, le procedure di manutenzione e riparazione devono essere eseguite da personale qualificato, o da centri di assistenza designati dalla nostra azienda. Devono essere utilizzati SOLO pezzi di ricambio e accessori autorizzati. Se necessario, contattare il servizio clienti della nostra azienda per qualsiasi riparazione o acquisto di accessori e pezzi di ricambio.

MODIFICHE E MIGLIORAMENTI

Dal momento che ci proponiamo un continuo miglioramento dei nostri prodotti, l'azienda si riserva il diritto di modificare la macchina e di apportarvi miglioramenti senza ulteriore preavviso.

GAMMA DI APPLICAZIONI

La lavapavimenti è destinata al solo uso commerciale e industriale. È progettato per la pulizia di pavimenti lisci e duri, utilizzata da personale qualificato in circostanze di sicurezza. Non è destinata all'uso in esterni o alla pulizia di tappeti o superfici ruvide.

DATI IDENTIFICATIVI DELLA MACCHINA

Il numero di serie della macchina e il nome del modello sono segnati sull'etichetta di serie.

Tale informazione è utile. Usare la seguente tabella per trascrivere i dati identificativi della macchina al momento della richiesta di parti di ricambio.

MODELLO DELLA MACCHINA.....
NUMERO DI SERIE DELLA MACCHINA.....

TRASPORTO E DISIMBALLO

Quando il corriere consegna la macchina, assicurarsi che la confezione e la macchina siano entrambi integri e non danneggiati. In presenza di danni, mostrare al corriere il danno e prima di accettare la merce, riservarsi il diritto al rimborso del danno.

Seguire rigorosamente le istruzioni sulla confezione quando si toglie la macchina dalla confezione.

Verificare la confezione per assicurarsi che le seguenti voci siano incluse:

1. La documentazione tecnica comprende il manuale d'uso, e il manuale del carica-batterie a bordo nel caso in cui l'apparecchio ne sia equipaggiato.
2. Il cavo del carica-batterie nel caso in cui l'apparecchio ne sia equipaggiato.

SICUREZZA

I seguenti simboli indicano situazioni potenzialmente pericolose. Leggere sempre queste informazioni con attenzione e prendere tutte le necessarie precauzioni per salvaguardare cose e persone.

SIMBOLI CHE APPAIONO SUL MANUALE DI ISTRUZIONI PER L'USO



PERICOLO!

Indica una situazione pericolosa con rischio di morte per l'operatore.



AVVERTENZA!

Indica un potenziale rischio di lesioni a persone.



ATTENZIONE!

Indica una precauzione o una nota relativa a funzioni importanti o utili. Fare attenzione ai paragrafi contrassegnati da questo simbolo.



NOTA

Indica una nota riferita a funzioni utili o importanti.



CONSULTAZIONE

Indica la necessità di consultare le istruzioni contenute nel Manuale d'Uso prima di eseguire una qualsiasi procedura.

ISTRUZIONI GENERALI DI SICUREZZA

Specifiche avvertenze e precauzioni per informarvi dei potenziali danni a persone e alla macchina sono elencate di seguito.



PERICOLO!

- Questa macchina deve essere utilizzata da personale autorizzato e opportunamente istruito circa le indicazioni contenute nel manuale.
- Prima di eseguire qualsiasi operazione di pulizia, manutenzione, riparazione, o sostituzione, leggere attentamente le istruzioni, assicurarsi che la macchina sia SPENTA e che la connessione alla batteria sia staccata.
- Non utilizzare la macchina in prossimità di polveri, liquidi o vapori tossici, pericolosi, infiammabili e/o esplosivi. Questa macchina non è adatta a raccogliere polveri pericolose.
- Non indossare gioielli mentre si utilizza la macchina accanto a componenti elettrici.
- Non lavorare sotto la macchina sollevata senza supportarla con sostegni di sicurezza.
- Se si usano batterie ad acido (WET), queste potrebbero emettere gas infiammabili in condizioni di uso normale, pertanto occorre tenere scintille, fiamme e materiali fumanti e oggetti che irradiano calore, luce o che bruciano lontano dalle batterie.
- Durante la ricarica le batterie ad acido (WET) potrebbero emettere gas idrogeno che potrebbe risultare esplosivo. Occorre pertanto assicurarsi che l'ambiente di ricarica sia ben ventilato e lontano da fiamme libere.



AVVERTENZE!

- Verificare con attenzione la macchina prima di ogni utilizzo. Assicurarsi che tutti i componenti siano correttamente fissati prima dell'uso. Altrimenti si potrebbero causare danni a persone e cose.
- Prima di usare il caricabatteria, assicurarsi che i valori di frequenza e di voltaggio indicati sull'etichetta del numero di serie della macchina coincidano con quelli dell'alimentazione.
- Non spostare mai la macchina tirando il cavo del caricatore della batteria. Non far passare il cavo attraverso porte chiuse, o sopra bordi e spigoli taglienti. Non far passare la macchina sopra il cavo di ricarica della batteria. Tenere il cavo di ricarica della batteria lontano da superfici riscaldate.

Non caricare le batterie se il cavo di ricarica o la spina sono danneggiati.

- Per ridurre il rischio di incendio, scosse elettriche o lesioni, assicurarsi che la macchina sia spenta prima di andarsene.
- Usare o porre la macchina in un ambiente interno in condizioni asciutte; la macchina non è progettata per uso in esterni.
- La temperatura sia di lavoro che di conservazione della macchina deve essere compresa tra 0 °C e +40 °C, l'umidità dell'aria deve essere compresa tra il 30% - 95%.
- Non usare la macchina su pendii con una pendenza superiore alle specifiche indicate.
- Nell'utilizzare detersivi per pavimenti, seguire le istruzioni sull'etichetta della bottiglia del detersivo e indossare apposite guanti di protezione.
- Usare spazzole e pad forniti con la macchina o indicate nel manuale. L'utilizzo di altre spazzole o di pad diversi potrebbe ridurre la sicurezza.
- In caso di malfunzionamento della macchina, assicurarsi che ciò non sia dovuto a mancanza di manutenzione. Se necessario, richiedere assistenza a personale autorizzato presso il Servizio di Assistenza Clienti.
- Prendere tutte le precauzioni necessarie per evitare che capelli, gioielli o parti di vestiario restino impigliati nelle parti mobili della macchina.
- Non usare la macchina in aree particolarmente polverose.

Non lavare la macchina con getti d'acqua diretti o pressurizzati o con sostanze corrosive.

- Non urtare scaffali o mensole, specie dove ci sia il rischio di caduta di oggetti.
- Non appoggiare contenitori di liquidi sulla macchina, bensì usare lo specifico porta-contenitori.
- Per evitare di danneggiare il pavimento, non permettere che le spazzole/il disco trascinatore siano in funzione a macchina immobile.
- In caso di incendio, utilizzare un estintore a polvere. Non usare estintori liquidi.
- Non rimuovere o modificare gli adesivi sulla macchina.
- Non alterare i dispositivi di sicurezza della macchina e seguire le indicazioni di manutenzione ordinaria scrupolosamente.
- Fare attenzione durante il trasporto della macchina quando la temperatura è al di sotto del punto di congelamento. L'acqua nel serbatoio di raccolta e nei tubi potrebbe congelare e causare seri problemi alla macchina.
- Se alcuni componenti necessitano di essere sostituiti, ordinare ricambi ORIGINALI presso Fornitori o Rivenditori Autorizzati.
- Riportare la macchina presso il Centro di Assistenza se non funziona come al solito o se è in condizioni per cui abbia subito danni, sia rimasta all'aperto o sia caduta in acqua.
- Per garantire un funzionamento appropriato e sicuro della macchina, la manutenzione programmata indicata nell'apposito capitolo di questo Manuale deve essere puntualmente eseguita da personale o da un Centro di Assistenza Clienti autorizzati.
- La macchina deve essere smaltita correttamente, per la presenza di materiali tossici-dannosi (batterie, ecc.) che sono soggetti ad apposita normativa e che richiedono lo smaltimento in Centri specializzati (vd. capitolo sullo Smaltimento).
- Questa macchina è solo uno strumento di pulizia e non deve essere utilizzata ad alcun altro scopo.
- Tenere sempre le fessure libere da polvere, capelli e ogni altro materiale estraneo che potrebbe ridurre il flusso d'aria. Non usare la macchina se le aperture di ventilazione sono ostruite.
- Usare la macchina solo dove sia disponibile un'opportuna illuminazione.
- La macchina non è progettata per essere utilizzata da persone con ridotte funzioni fisiche, sensoriali o mentali, o che manchino di esperienza e conoscenza, a meno che non vengano garantite supervisione o istruzioni da parte di una persona responsabile della loro sicurezza.
- Porre estrema attenzione quando la si usa vicino ai bambini.
- I bambini dovrebbero essere supervisionati per assicurarsi che non giochino con la macchina.

Mentre si usa la macchina, assicurarsi di non causare danni a persone o oggetti.

DESCRIZIONE DELLA MACCHINA

STRUTTURA DELLA MACCHINA (come mostrato in Figura 1)

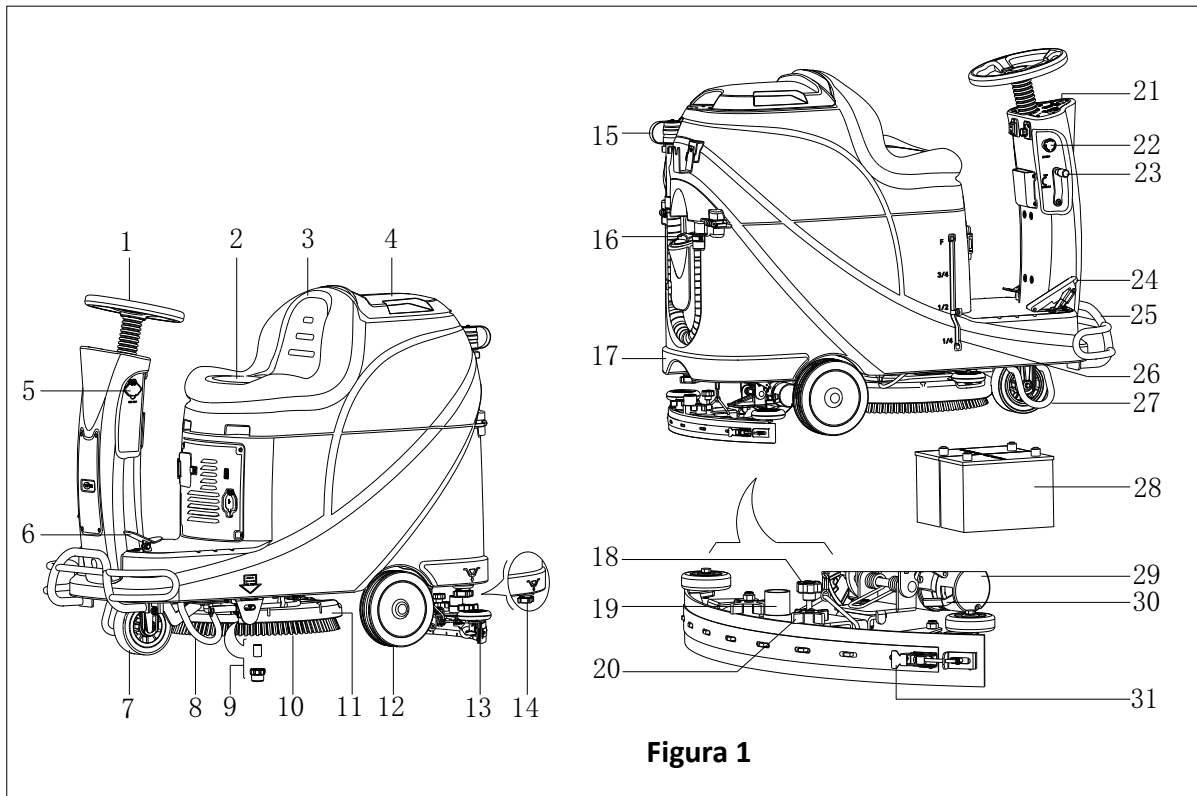


Figura 1

- | | |
|--|---|
| 1. Sterzo | 17. Serbatoio della soluzione |
| 2. Cuscino del sedile | 18. Manopola di regolazione del tergi-pavimento |
| 3. Serbatoio di raccolta | 19. Tubo di aspirazione |
| 4. Coperchio del serbatoio di raccolta | 20. Manopola del tergi-pavimento |
| 5. Porta di ricarica USB | 21. Pannello di controllo |
| 6. Pedale | 22. Interruttore di emergenza |
| 7. Ruota anteriore | 23. Leva di sollevamento/abbassamento tergi-pavimento |
| 8. Braccio di supporto sinistro | 24. Pedale di accelerazione |
| 9. Filtro della soluzione | 25. Paraurti frontale |
| 10. Spazzola | 26. Indicatore del livello della soluzione |
| 11. 11. Testata spazzole | 27. Braccio di supporto destro |
| 12. Ruota posteriore | 28. Batteria |
| 13. Supporto tergi-pavimento | 29. Unità motore |
| 14. Coperchio di scarico della soluzione | 30. Staffa di blocco freno |
| 15. 15. Tubo di scarico acqua sporca | 31. Fermo del tergi-pavimento |
| 16. Coperchio di carico dell'acqua | |

DESCRIZIONE DELLA MACCHINA

PANNELLO DI CONTROLLO (come mostrato in Figura 2)

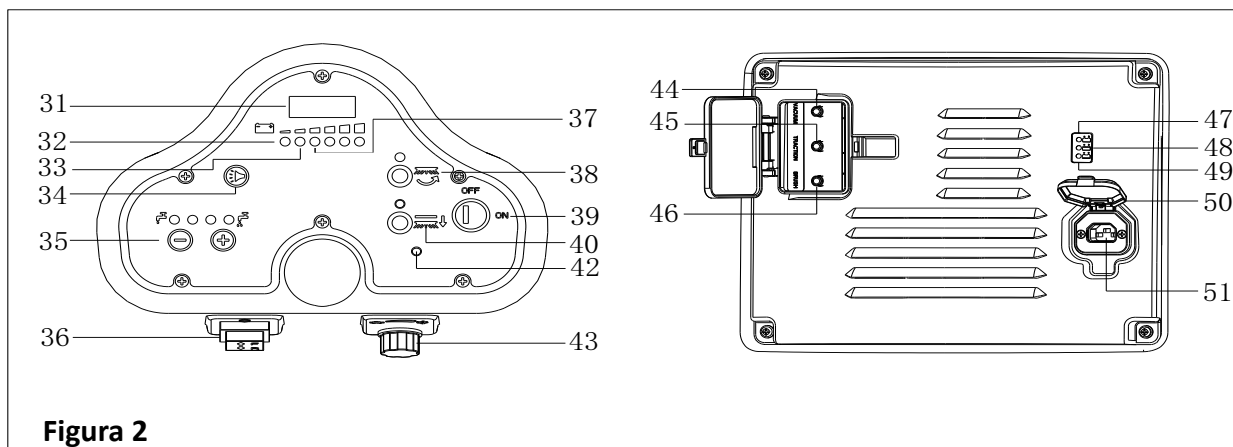


Figura 2

- | | |
|--|---|
| 31. Schermo LED | 42. Spia luminosa di problemi al motore |
| 32. Spia luminosa di batteria scarica (Rossa) | 43. Manopola di regolazione della velocità |
| 33. Spia luminosa di batteria quasi scarica (Gialla) | 44. Protezione sovraccarico motore di aspirazione |
| 34. Clacson | 45. Protezione sovraccarico del motore di azionamento |
| 35. Tasto di regolazione del flusso della soluzione | 46. Protezione di sovraccarico del motore spazzole |
| 36. Interruttore Marcia Avanti/Indietro | 47. Spia luminosa di batteria carica (Verde) |
| 37. Indicatore di batteria scarica (verde) | 48. Spia luminosa di batteria semi-carica (Gialla) |
| 38. Tasto avviamento delle spazzole | 49. Spia luminosa di batteria in carica (Rossa) |
| 39. Interruttore chiave | 50. Coperchio della presa del caricabatteria |
| 40. Tasto di rilascio spazzole | 51. Spina del caricabatteria |

INFORMAZIONI SU SCHERMO LED

STOP– La macchina non può muoversi, le spazzole si fermano ma il motore di aspirazione può funzionare

(00012.3) – Le ore totali di funzionamento della macchina sono 12.3

L0-(18) – Voltaggio della batteria inferiore a 18V

U-(25.5) – Voltaggio della batteria pari a 25.5V

ERR-01 – Tergi-pavimento non sollevato quando la macchina va a marcia indietro

DISPLAY DELL'INDICATORE DI RICARICA BATTERIA (come mostrato in Figura 2)

1. All'inizio della ricarica, il LED rosso (49) del caricabatterie è normalmente acceso. È il primo stadio della ricarica.
2. Dopo qualche tempo di ricarica, la luce LED rossa (49) sul carica-batterie si spegne, la luce LED gialla (48) si accende, questo è il secondo stadio della ricarica.
3. A ricarica completata, il LED giallo (48) si spegne, il LED verde (47) si accende per indicare che la batteria è carica.



NOTA

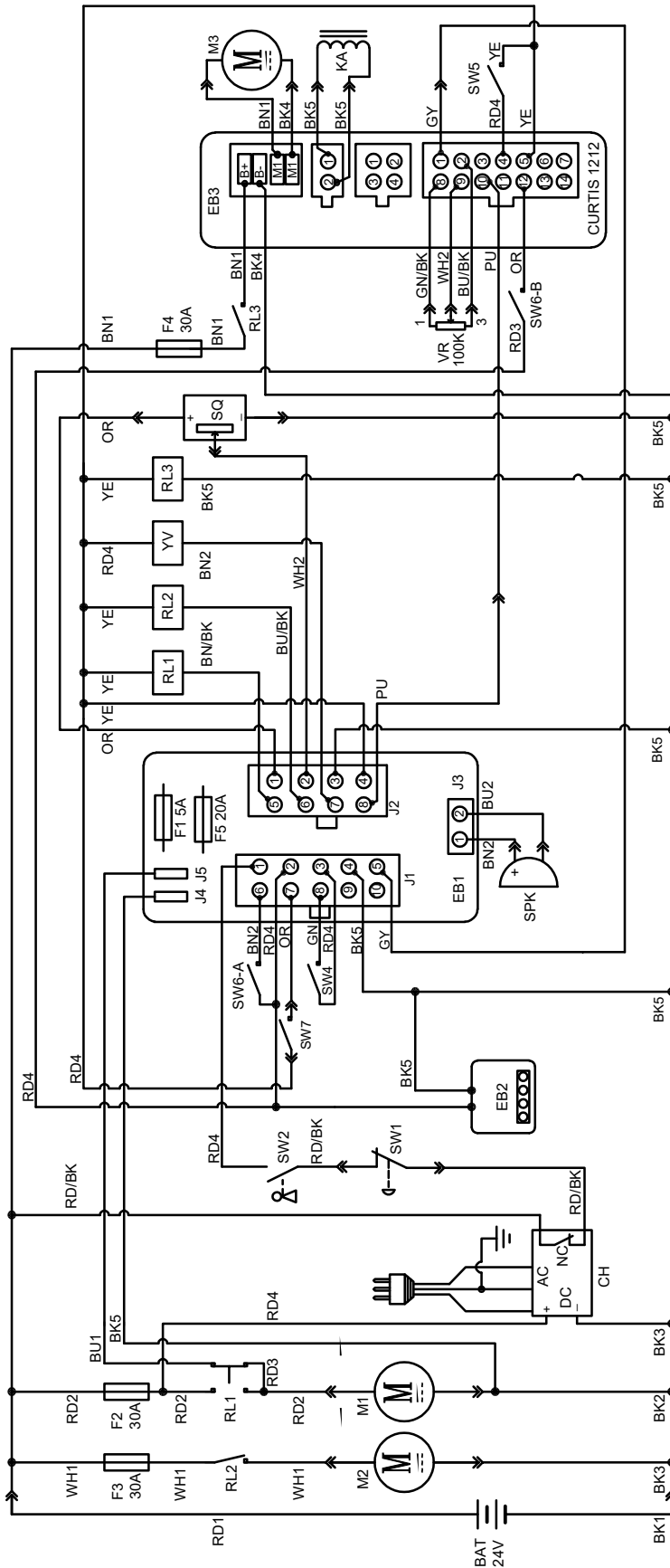
Nel processo di ricarica, se la luce gialla (48) è accesa, ciò potrebbe essere dovuto a: Batteria e carica-batteria non corrispondono, la batteria non è collegata bene, o l'emissione è in corto-circuito.

Il lampeggiare della luce rossa del carica-batteria può essere dovuto da un corto-circuito interno del carica-batteria.

PARAMETRI TECNICI

MODELLO	AS530R	
Dimensioni imballo (Lx W x H)	mm	1470*730*1310
Altezza macchina	mm	1120
Lunghezza macchina	mm	1360
Larghezza macchina (senza tergipavimento)	mm	580
Peso della macchina con serbatoi vuoti (senza batterie)	Kg	140
Peso lordo macchina (GVW)	Kg	270
Peso di spedizione	Kg	245
Capacità serbatoio di Soluzione	Litro	72
Capacità serbatoio di Recupero	Litro	73
Potenza del motore di Aspirazione	Watt	400
Capacità di Aspirazione	mm H ₂ O	1223
Pendenza superabile (Max)	%	10
Diametro ruota anteriore	mm	φ175
Diametro ruota posteriore	mm	φ230
Livello di rumorosità	dB(A)	69
Flusso Soluzione / Acqua	L/min	0.84-2.0
Pista di pulizia	mm	530
Larghezza Tergipavimento	mm	730
Diametro spazzole/disco trascinatore	mm	530
Potenza motore spazzole	Watt	450
Velocità spazzole	Rpm	160
Pressione spazzole/disco trascinatore (Max)	Kg	23
Potenza motore di alimentazione	Watt	300W
Velocità di Lavoro	Km/h	5.5km/h
Voltaggio	V	24V
Batteria (opzionale)	Ah	2x100AH (20 ore)
Caricabatteria (opzionale)	V/A	24V 10A
Dimensioni scomparto batterie (L x W x H)	mm	350*380*300
Specifiche del caricatore USB	V/A	5V, 0.8A

SCHEMA DEL CIRCUITO



WIRE ROD		WIRE ROD	
RD1	RED/6AWG	BN/BK	BROWN/BLACK / 20AWG
RD2	RED/10AWG	BU1	BLUE/18AWG
RD3	RED/18AWG	BU2	BLUE/20AWG
RD4	RED/20AWG	BU/BK	BLUE/BLACK / 20AWG
RD/BK	RED/BLACK / 20AWG	GN	GREEN/20AWG
BK1	BLACK/6AWG	GN/BK	GREEN/BLACK / 20AWG
BK2	BLACK/10AWG	GY	GRAY/20AWG
BK3	BLACK/12AWG	PU	PURPLE/20AWG
BK4	BLACK/14AWG	OR	ORANGE/20AWG
BK5	BLACK/18AWG	YE	YELLOW/20AWG
BN1	BROWN/14AWG	WH1	WHITE/12AWG
BN2	BROWN/20AWG	WH2	WHITE/20AWG

COMPONENTS		COMPONENTS	
BAT	24V BATTERIES	KA	BRAKE
CH	BATTERY CHARGER	M1	BRUSH MOTOR
EB1	CONTROL PANEL BOARD	M2	VACUUM MOTOR
EB2	USB CHARGING ELECTRONIC BOARD	M3	DRIVE MOTOR
EB3	DRIVE ELECTRONIC BOARD	SW1	EMERGENCY-STOP SWITCH
RL1	BRUSH MOEOR ELECTROM SWITCH	SW2	KEY SWITCH
RL2	VACUUM MOEOR ELECTROM SWITCH	SW4	VACUUM MOTOR SWITCH
RL3	DRIVE SYSTEM ELECTROM SWITCH	SW5	OPTIONAL MODE SWITCH
YV	WATER ELECTROVALVE	SW6-A	OPTIONAL REVERSE SWITCH
F1	CONTROL PANEL BOARD FUSE	SW6-B	OPTIONAL REVERSE SWITCH
F2	BRUSH MOTOR CIRCUIT BREAKER	SW7	SEAT SWITCH
F3	VACUUM MOTOR CIRCUIT BREAKER	SQ	FOOT THROTTLE
F4	DRIVE SYSTEM CIRCUIT BREAKER	SPK	12VDC BUZZER
F5	BRUSH RELEASE FUSE	VR	SPEED POTENTIOMETER

COMPONENTI		COMPONENTI	
BAT	24V BATTERIE	M1	MOTORE SPAZZOLE
CH	CARICA-BATTERIA	M2	MOTORE DI ASPIRAZIONE
EB1	PANNELLO DI CONTROLLO	M3	MOTORE TRAZIONE
EB2	PANNELLO ELETTRONICO RICARICATORE USB	SW1	INTERRUTTORE DI EMERGENZA
EB3	SCHEDA TRAZIONE	SW2	INTERRUTTORE CHIAVE
RL1	INTERRUTTORE ELETTRICO SPAZZOLE		
RL2	INTERRUTTORE ELETTRICO ASPIRATORE	SW4	INTERRUTTORE MOTORE DI ASPIRAZIONE
RL3	INTERRUTTORE ELETTRICO SISTEMA DELL'UNITÀ	SW5	INTERRUTTORE MODALITÀ OPZIONALE
YV	ELETTROVALVOLA DELL'ACQUA	SW6-A	INTERRUTTORE DI MARCIA INDIETRO OPZIONALE
F1	FUSIBILE DEL PANNELLO DI CONTROLLO	SW6-B	INTERRUTTORE DI MARCIA INDIETRO OPZIONALE
F2	INTERRUTTORE DEL CIRCUITO MOTORE SPAZZOLE	SW7	INTERRUTTORE SEDILE
F3	INTERRUTTORE DEL CIRCUITO MOTORE DI ASPIRAZIONE	SQ	PEDALE ACCELERATORE
F4	FUSIBILE TRAZIONE	SPK	12V CC CICALINO
F5	FUSIBILE DI RILASCIO SPAZZOLE	VR	POTENZIOMETRO DELLA VELOCITÀ
KA	FRENO		

VERGELLA		VERGELLA	
RD1	ROSSO/6AWG	BN/BK	MARRONE/ NERO / 20AWG
RD2	ROSSO /10AWG	BU1	BLU/18AWG
RD3	ROSSO /18AWG	BU2	BLU/20AWG
RD4	ROSSO /20AWG	BU/BK	BLU/ NERO /20 AWG
RD/BK	ROSSO /NERO/ 20AWG	GN	VERDE/20AWG
BK1	NERO/6AWG	GN/BK	VERDE/ NERO /20AWG
BK2	NERO /10AWG	GY	GRIGIO/20AWG
BK3	NERO /12AWG	PU	VIOLA/20AWG
BK4	NERO /14AWG	OR	ARANCIONE/20AWG
BK5	NERO /18AWG	YE	GIALLO/20AWG
BN1	MARRONE/14AWG	WH1	BIANCO/12 AWG
BN2	MARRONE/20AWG	WH2	BIANCO/20AWG

GUIDA OPERATIVA



AVVERTENZA!

Prestare molta attenzione a questi simboli presenti nel manuale:

- PERICOLO!
- AVVERTENZA!
- ATTENZIONE!
- CONSULTAZIONE

Non coprire mai questi simboli sulla macchina per nessun motivo e sostituirli subito se danneggiati.

INSTALLAZIONE E IMPOSTAZIONE DI UNA BATTERIA DELLA MACCHINA NUOVA



AVVERTENZA!

Le componenti elettriche della macchina possono essere seriamente danneggiate se le batterie sono installate o collegate in modo improprio.

Le batterie devono essere installate da personale qualificato. Impostare il carica-batteria (opzionale) e la macchina PCBA secondo il tipo di batteria (WET o GEL/AGM).

Verificare che la batteria non sia danneggiata prima dell'installazione.

Staccare il connettore della batteria e la spina del carica-batterie dalla batteria.

Maneggiare le batterie con molta cura.



NOTA

La macchina richiede due batterie da 12V, collegate come nella Figura 3.

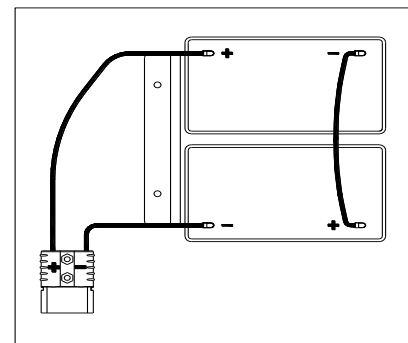


Figura 3

La macchina può essere utilizzata in una delle seguenti modalità di batteria:

A) Batterie WET o GEL/AGM già installate e pronte all'uso

1. Verificare le batterie e collegare il connettore della batteria alla macchina.
2. Inserire l'interruttore chiave (40) e ruotarlo su "on". Se la luce verde (37) si accende, le batterie sono cariche e pronte all'uso; se si accende la luce gialla o rossa (33 o 32), le batterie devono essere ricaricate.

B) Senza Batterie

1. Se la macchina non è dotata di batterie, acquistare batterie adeguate [vd. Sezione Dati Tecnici]. Per la scelta e l'installazione delle batterie, rivolgersi a un rivenditore di batterie qualificato.
2. Quando le batterie sono pronte, impostare la macchina e il carica-batteria a seconda del tipo di batterie installate, quindi seguire la procedura indicate nel paragrafo successivo.

INSTALLAZIONE DELLE BATTERIE E IMPOSTAZIONE DEL TIPO DI BATTERIE (WET O GEL/AGM)

Impostare il pannello di circuito elettronico della macchina e il carica-batteria a seconda del tipo di batterie (WET o GEL/AGM) seguendo le seguenti fasi:



NOTA

Nell'installare nuove batterie, seguire la Figura 4 per impostare l'interruttore DIP, altrimenti le batterie potrebbero risultare danneggiate da impostazione scorretta.

Impostazione della macchina

1. Inserire l'interruttore chiave (40) e ruotarlo su "ON", facendo attenzione a quanto segue durante i primi secondi di avvio della macchina:
 - Se la luce verde (37) lampeggia, la macchina è impostata per l'uso di batterie GEL/AGM.
 - Se la luce gialla (33) lampeggia, la macchina è impostata per l'uso di batterie Discover EV AGM.
 - Se la luce rossa (32) lampeggia, la macchina è impostata per l'uso di batterie WET.
2. Seguire i seguenti passi per modificare le impostazioni della macchina.
3. Le impostazioni di fabbrica della macchina sono per l'utilizzo di batterie Discover EV AGM. Se le impostazioni corrispondono alle batterie selezionate, andare al passo 6 direttamente, altrimenti passare al passo successivo.

4. Svitare la vite (B, Figura 4) sul pannello di controllo, quindi ribaltare il PCBA (A) sul pannello per trovare l'interruttore DIP (D), seguire la Figura 4 per le impostazioni DIP.
5. Eseguire i passi in ordine inverso allo smontaggio per fissare il pannello di controllo e bloccare la vite dopo aver eseguito le impostazioni.

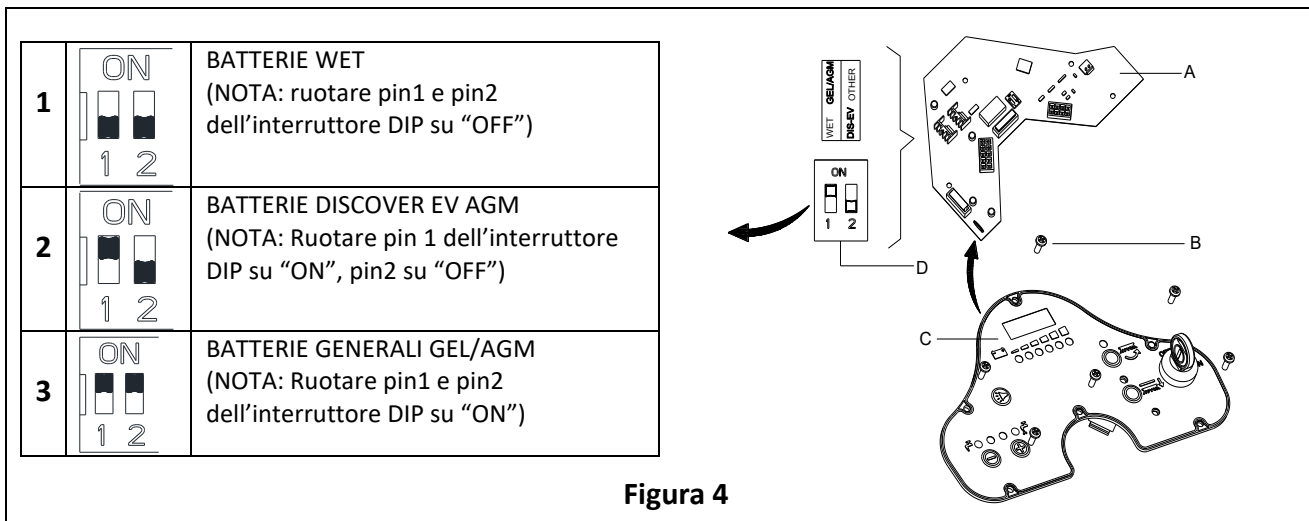


Figura 4

Installazione delle Batterie

6. Aprire il coperchio del serbatoio di recupero (4) e verificare che il serbatoio di recupero (3) sia vuoto; altrimenti svuotarlo con il tubo di scarico (15).
7. Chiudere il coperchio del serbatoio di recupero (4).
8. Rovesciare con attenzione il serbatoio di recupero(3).
9. La macchina è fornita di cavi adatti all'installazione delle batterie 2X12V. Inserire le batterie con cura nello scomparto, quindi installarle correttamente.
10. Installare il cavo della batteria come mostrato in (Figura 3), poi stringere con cura il dado su ciascun terminale della batteria.
11. Collocare il cappuccio di protezione su ciascun terminale, quindi collegare il connettore della batteria.
12. Abbassare con cura il coperchio del serbatoio di raccolta (3).

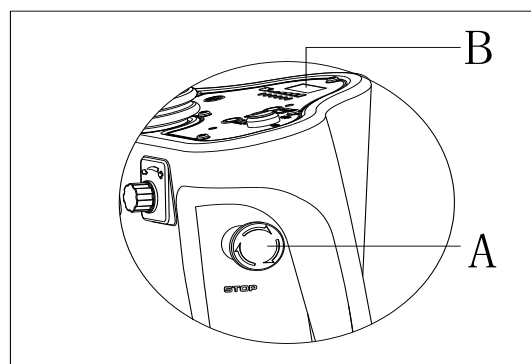


Figura 5

Ricarica delle Batterie

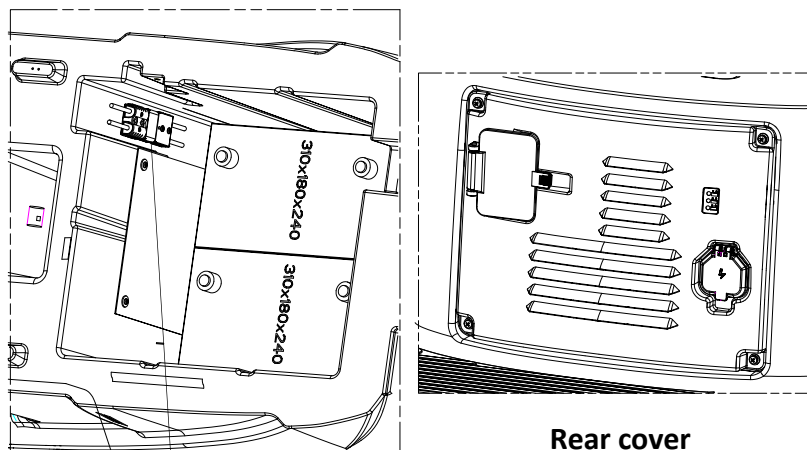
13. Ricarica delle batterie. [Vd. capitolo MANUTENZIONE].

Impostazione caricabatterie (solo per il caricabatteria incorporato, se installato)

Caricabatteria

Il caricabatterie si trova all'interno del coperchio posteriore e collegato direttamente alle batterie. Il caricabatterie è controllato mediante un microprocessore e utilizza diverse curve di ricarica per prestazioni ottimali per diversi tipi di batteria.

1. Scollegare il connettore del cavo che porta alle batterie.
2. Rimuovere i coperchi posteriori.
3. Rimuovere le 4 viti (B) e rimuovere il caricabatterie (A).



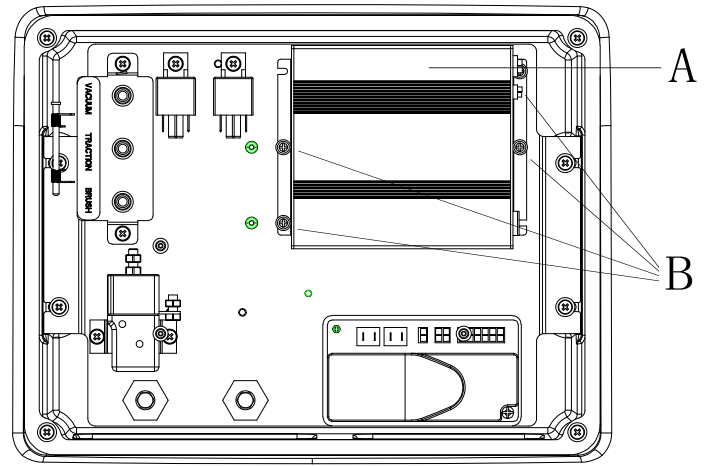
Disconnect the connector

Rear cover

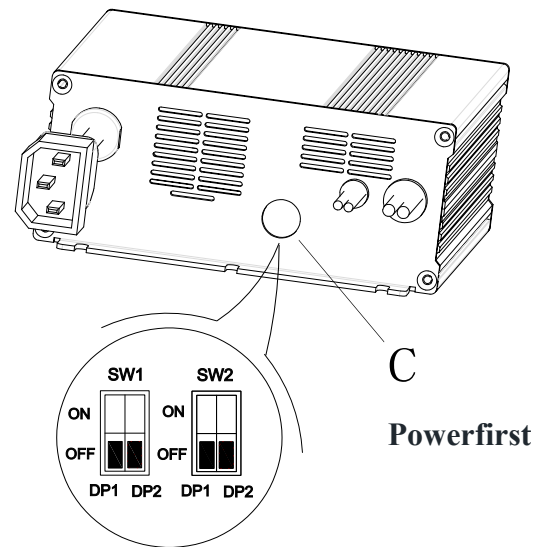
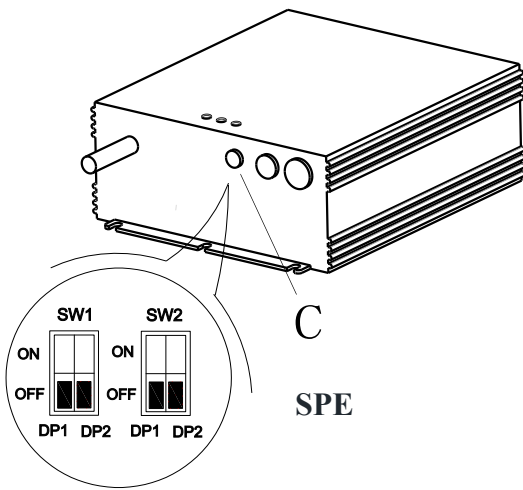
Interruttori DIP per la tipologia di batterie

Il funzionamento del caricabatterie è controllato da 4 interruttori DIP (2 coppie) all'interno del coperchio posteriore. I secondi 2 interruttori non devono mai essere toccati a meno che il caricabatterie non sia stato sostituito e la loro posizione deve essere confermata, impostare la tensione della batteria (24V) e l'ampere massimo (10A) e dovrebbe essere sempre in posizione Off.

I primi 2 interruttori sono accessibili tramite una spina di plastica senza aprire il caricabatterie. Questi interruttori impostano il tipo di curva di carica utilizzata per ogni tipo di batteria. Il tipo di curva indica il modo e l'entità in cui la corrente e la tensione sono applicate alla batteria durante le sue fasi distinte del ciclo di carica.



1. Togliere il tappo di plastica che copre il foro di accesso (C) agli interruttori DIP.
2. Impostare i primi 2 interruttori DIP (SW1) in base ai dati della tabella seguente.
3. Riposizionare il tappo di plastica.



Curve/Battery Type	SW1		SW2	
	D1	D2	D1	D2
IUIa Wet	On	Off		
IUIa Gel Exide	Off	Off	Off	Off
IUoU AGM	Off	On		
IUIa AGM Discover	On	On		

Curve/Battery Type	SW1		SW2	
	D1	D2	D1	D2
IUIa Wet	On	Off		
IUIa Gel Exide	Off	Off	Off	Off
IUIa AGM	Off	On		
IUIa AGM Discover	On	On		

FRENATA DI EMERGENZA

Se si verifica un'emergenza durante il funzionamento della macchina, premere l'interruttore di emergenza (A, Figura 5), quindi tutte le funzioni della macchina si interromperanno, senza visualizzazione sul pannello di controllo (B, Figura 5)

INSTALLAZIONE E DISINSTALLAZIONE DI SPAZZOLA/ PAD



NOTA

Installare adeguate spazzole (A, Figura 6) o pad (B e C, Figura 6) a seconda del tipo di pavimento da pulire.



ATTENZIONE

Prima dell'installazione o disinstallazione di spazzole e pad, assicurarsi che tutti gli interruttori della macchina siano in posizione off e sollevare il tergi-pavimento dal pavimento. L'operatore deve indossare adeguati dispositivi di protezione personale come guanti, per ridurre il rischio di incidenti. Procedere come segue:

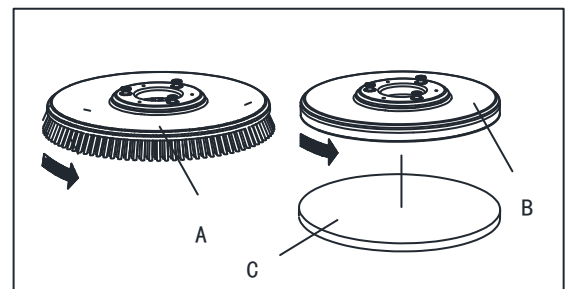


Figura 6

1. Inserire l'interruttore chiave (40) e ruotarlo su "ON".
2. Premere il pedale (6) in avanti con il piede per sollevare il supporto spazzole (11) dal pavimento.
3. Ruotare la manopola di regolazione della velocità (42) in senso antiorario fino alla fine.
4. Collocare spazzola (A, Figura 5) o pad (B, Figura 5) al centro allineandolo con la testata spazzole.
5. Premere il pedale (6) indietro con il piede per abbassare il supporto spazzole (11). Sedersi sul sedile, premere l'interruttore spazzole (39) e abbassare il pedale (23) leggermente, la spazzola/ pad si innesta automaticamente. Ripetere questi passi finché la spazzola/ pad è installata.
6. Se al passo 5 l'installazione di spazzola/ pad non è riuscita, si prega di abbassare manualmente spazzola/ pad.
7. Premere il pedale (6) in avanti con il piede per sollevare il supporto spazzole (11) dal pavimento, premere il tasto di rimozione spazzola (41) per disinstallarla automaticamente.

**ATTENZIONE!**

Ruotare la manopola di regolazione della velocità (42) sulla velocità minima prima di abbassare il pedale di accelerazione (6) per evitare che la macchina funzioni troppo velocemente quando viene avviata. Assicurarsi che spazzola/ pad siano installati correttamente prima di usare la macchina.

REGOLAZIONE DEL BILANCIAMENTO DEL TERGIPAVIMENTO

1. Installare il tergi-pavimento (13) e fissare la manopola del tergi-pavimento (20), quindi collegare il tubo di aspirazione (19) al tergi-pavimento.
2. Regolare il tergi-pavimento mediante la manopola di regolazione del tergi-pavimento (A, Figura 7).
 - a) Se c'è uno spazio vuoto tra il suolo e la sezione intermedia della lama del tergi-pavimento posteriore (B), regolare il pomello (A) in senso antiorario (F) finché ogni sezione della lama del tergi-pavimento aderisca perfettamente al suolo, e la lama frontale tocchi il suolo leggermente.
 - b) Se c'è uno spazio vuoto tra il suolo e entrambe le estremità della lama posteriore (C e D), regolare il pomello (A) in senso orario (E) finché tutte le sezioni della lama siano bene a contatto con il suolo e la lama frontale tocchi il suolo leggermente.

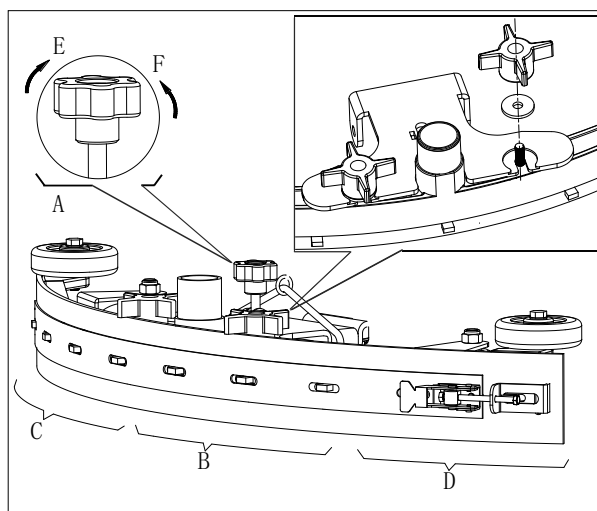


Figura 7

RIEMPIMENTO DEL SERBATOIO DI SOLUZIONE

1. Aprire il coperchio di ingresso dell'acqua (E, Figura 8).
2. Riempire con acqua o soluzione adatta al lavoro da eseguire, attraverso l'apposito ingresso dell'acqua con filtro. La temperatura della soluzione non deve superare i + 104F (+ 40°C).
3. Non riempire troppo il serbatoio, far riferimento all'indicatore del livello dell'acqua (G) circa il volume dell'acqua.

**AVVERTENZA!**

Usare solo detersivi con bassa schiuma e non infiammabili, per lavasciuga pavimenti.

Controllo elettrofreno

1. Ruotare l'interruttore chiave (A, Figura 9) su "ON"
2. Premere il pedale di accelerazione (C) leggermente quindi allentarlo per verificare se la macchina può essere manovrata in avanti e fermata.
3. Per accertarne la sicurezza, confermare se la macchina può essere fermata immediatamente premendo il tasto di emergenza (B). Ruotare il tasto di emergenza per resettare.

**ATTENZIONE**

La capacità di avanzamento in salita della macchina non deve superare il 10%.

**ATTENZIONE**

Il freno del motore trazione è sbloccato quando il motore funziona normalmente, si blocca quando il motore smette di funzionare.

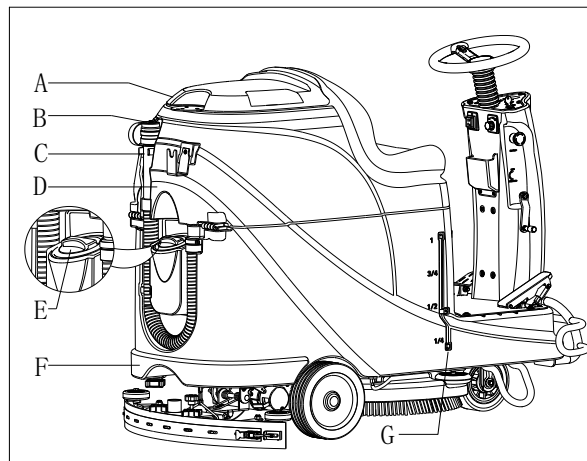


Figura 8

- Freno sbloccato – la maniglia del freno (D, Figura 9) si trova in alto
- Freno bloccato – la maniglia del freno si trova in basso
In casi speciali, come durante confezionamento/apertura dell'imballo, guasto della macchina, ecc., se occorre spostare la macchina senza accendere il motore, si prega di impostare manualmente lo sblocco del freno per spostarla.
Per evitare qualsiasi rischio alla sicurezza, assicurarsi di impostare il freno di nuovo in stato di blocco dopo lo spostamento della macchina.

AVVIARE E FERMARE LA MACCHINA

Avviare la macchina

1. Preparare la macchina come mostrato nel precedente paragrafo.
2. Sedersi sul sedile (L, Figura 10), inserire l'interruttore chiave (A) e ruotarlo su "ON". Se la luce verde (C) è accesa, le batterie sono cariche e pronte all'uso. Se la luce gialla (E) o rossa (D) è accesa, le batterie devono essere ricaricate prima dell'uso. [consultare i capitoli MANUTENZIONE per la ricarica della batteria]
3. Abbassare il tergi-pavimento sul pavimento.

NOTA

Assicurarsi che il tergi-pavimento sia alzato prima che la macchina si muova in retromarcia, altrimenti la Macchina si fermerà e sullo schermo LED apparirà l'informazione di "Errore".

4. Abbassare il supporto delle spazzole sul pavimento.

NOTE

Assicurarsi di spegnere l'interruttore spazzole prima di sollevare il supporto e sollevare il supporto spazzole prima che la macchina si muova in avanti o in retromarcia.

5. Premere il tasto spazzole (B)
6. Abbassare il pedale dell'acceleratore (R), guidare la macchina in avanti o in retromarcia mediante il volante (N) insieme all'interruttore avanti-indietro (H), potete regolare la velocità mediante la manopola di regolazione della velocità (I).
7. Regolare il flusso mediante il tasto di regolazione delle soluzioni (G) in base alle necessità di pulizia.
8. Potete ricaricare il cellulare o tablet mediante la porta di ricarica USB (M) quando l'interruttore chiave (A) è ruotato sulla posizione "ON".
9. Premere il clacson (F) per allertare le persone, se necessario.
10. Se necessario, premere il tasto di emergenza per far fermare la macchina.

NOTE

Il motore spazzole, di aspirazione e trazione, e del circuito di controllo sono protetti dal protettore di sovraccarico (P). Quando il protettore scatta, non resettare immediatamente senza aver trovato la causa del problema, e assicurarsi che il motore si raffreddi prima di resettare.

Fermare la macchina

11. Rilasciare il pedale dell'acceleratore (R, Figura 10), la macchina smette di funzionare.
12. Premere il tasto spazzole (B) per fermare il motore spazzole.
13. Sollevare il supporto spazzole (T) premendo il pedale (Q).

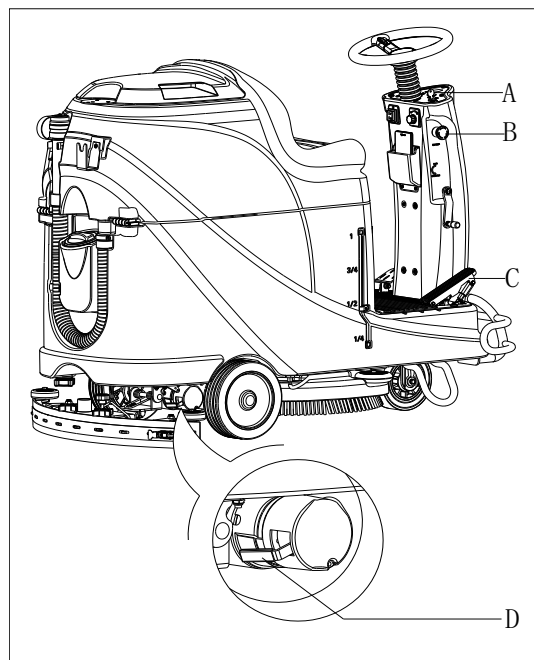


Figura 9

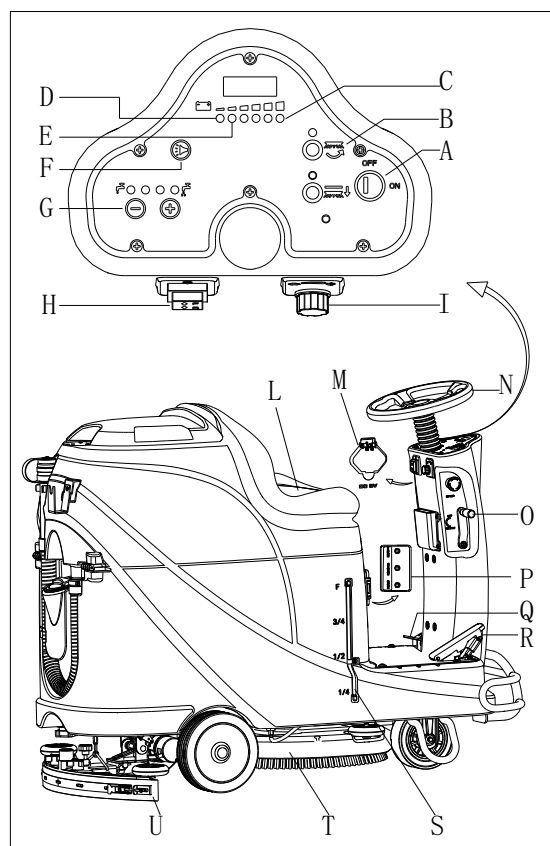


Figura 10

14. Sollevare il tergi-pavimento (U) mediante la leva di sollevamento/abbassamento del tergi-pavimento (O), e qualche secondo dopo il sistema di aspirazione verrà interrotto.
15. Ruotare l'interruttore chiave su "OFF"
16. Assicurarsi che la macchina sia spenta.

FUNZIONAMENTO DELLA MACCHINA (LAVAGGIO E ASCIUGATURA)

1. Avviare la macchina secondo le procedure illustrate nei precedenti paragrafi.
2. Cominciare a pulire seguendo le procedure indicate nella sezione "Avviare la macchina".
3. Se necessario, fermare la macchina per regolare il tergi-pavimento come indicato nella sezione "Regolare la bilanciatura del tergi-pavimento".



ATTENZIONE!

Per evitare danni alla superficie del pavimento, spegnere il supporto spazzola/ pad quando la macchina è ferma in un punto.



NOTA

Per un corretto lavaggio/asciugatura del pavimento lungo le pareti, suggeriamo di avvicinarsi alle pareti con il lato destro (lato della ruota paracolpi) della macchina come mostrato in Figura 11.

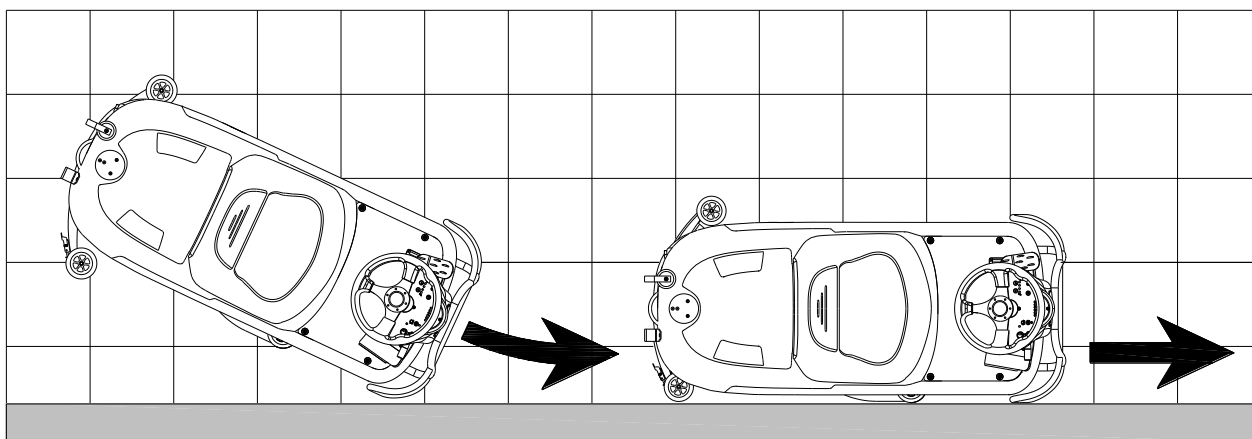


Figura 11

Ricarica batterie durante il funzionamento

Quando la luce verde (A, Figura 12) è accesa, le batterie hanno abbastanza potenza perché la macchina funzioni normalmente; quando tutte le luci verdi sono spente, si accende la luce gialla (C, Figura 12), la potenza delle batterie è troppo bassa, si prega pertanto di ricaricare le batterie; quando la luce rossa (B, Figura 12) lampeggia, le batterie si sono scaricate, il motore di aspirazione e il motore delle spazzole si spegneranno automaticamente dopo pochi secondi; si prega di guidare la macchina a ricaricare le batterie immediatamente.



ATTENZIONE!

Per evitare di danneggiare le batterie e di abbreviarne la durata in vita, non usare la macchina quando le batterie sono scariche.

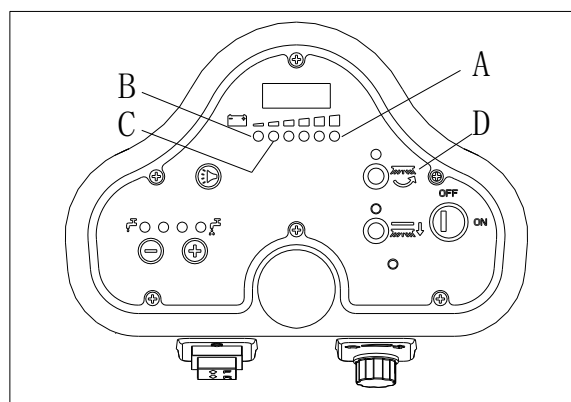


Figura 12

SVUOTAMENTO DEL SERBATOIO

Un sistema di spegnimento automatico a galleggiante (B, Figura 13) blocca il sistema di aspirazione di recupero quando serbatoio dell'acqua di recupero (C) è pieno. La disattivazione del sistema di aspirazione è segnalata da un improvviso aumento della frequenza di rumore del motore di aspirazione, inoltre il pavimento non viene asciugato.



ATTENZIONE!

Se il sistema di aspirazione si spegne accidentalmente (per esempio, quando il galleggiante è attivato a causa di un improvviso movimento della macchina), per riprendere il funzionamento: spegnere il sistema di aspirazione premendo l'interruttore (D, Figura 12), quindi aprire il coperchio (A, Figura 11) e verificare che il galleggiante dentro la griglia (B) sia sceso a livello dell'acqua. Quindi chiudere il coperchio (A) e accendere il sistema di aspirazione premendo l'interruttore (D, Figura 12).

Quando il serbatoio di recupero dell'acqua (C, Figura 13) è pieno, svuotarlo seguendo la seguente procedura.

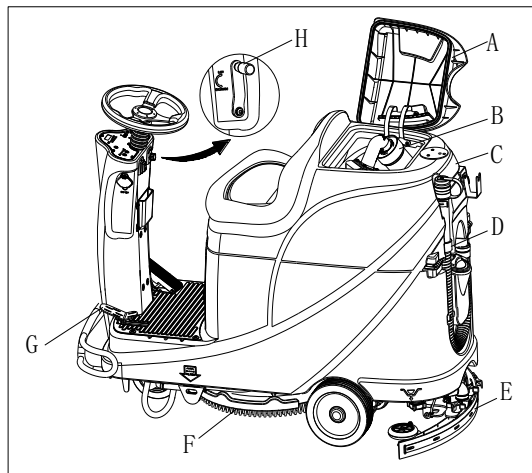


Figura 13

Svuotamento del serbatoio dell'acqua di recupero

1. Fermare la macchina.
2. Sollevare la testata spazzole/disco trascinatore (H, Figura 12) premendo il pedale (G).
3. Sollevare il tergilavaggio con la leva (H).
4. Guidare la macchina all'area di riposizione designata.
5. Svuotare l'acqua di recupero con il tubo (D). Quindi, sciacquare il serbatoio con acqua pulita.



ATTENZIONE!

Quando si svuota l'acqua di raccolta, il tubo di scarico deve essere piegato (A, Figura 14) e puntato verso il basso (B, Figura 14) prima di togliere il tappo del tubo di scarico. Non puntare l'uscita del tubo di scarico verso l'alto per scaricare l'acqua verticalmente per evitare che l'acqua di scarico si riversi sull'operatore.

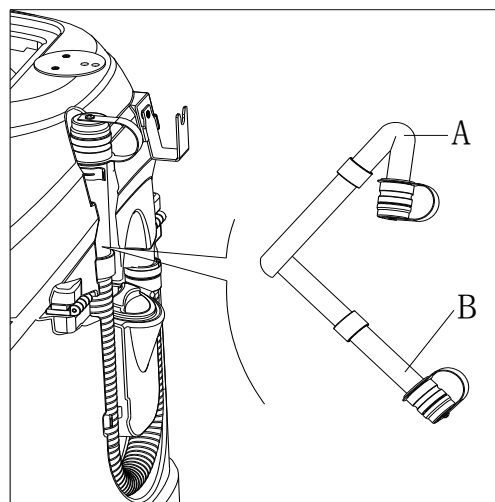


Figura 14

Svuotare serbatoio di Soluzione/acqua pulita

6. Eseguire i passi da 1 a 4 del capitolo "Svuotare il serbatoio dell'acqua di scarico".
7. svuotare il serbatoio della soluzione mediante il tappo dell'uscita (A, Figura 15). Quindi, sciacquare il serbatoio con acqua pulita.

DOPO AVER USATO LA MACCHINA

Terminato il lavoro, prima di riporre la macchina:

1. Rimuovere le spazzole/disco trascinatore.
2. Svuotare i serbatoi (B e C, Figura 15) come mostrato nel paragrafo precedente.
3. Eseguire le procedure di manutenzione quotidiana (vd. il capitolo Manutenzione).
4. Riporre la macchina in un luogo asciutto e pulito, con le spazzole/ pad e il tergilavaggio sollevati o rimossi.

LUNGA INATTIVITÀ DELLA MACCHINA

Se la macchina non verrà usata per più di 30 giorni, procedere come segue:

1. Eseguire le procedure illustrate nel paragrafo "DOPO L'USO DELLA MACCHINA".
2. Staccare il connettore della batteria (D, Figura 15).

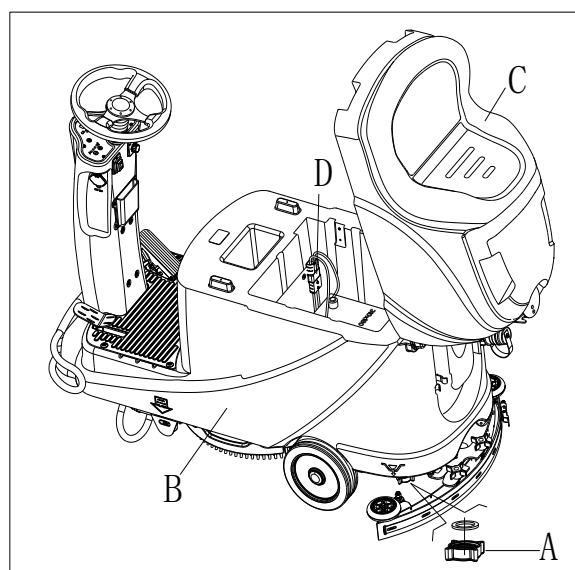


Figura 15

PRIMO UTILIZZO DELLA MACCHINA

Dopo nove ore di primo utilizzo della macchina, si prega di verificare la presenza di danni o situazioni anomale e controllare se cinghie o bulloni siano allentati.

MANUTENZIONE



AVVERTENZA!

Le procedure di manutenzione devono essere eseguite dopo che la macchina è stata spenta e il cavo del caricabatterie è stato scollegato. In aggiunta, leggere con attenzione il capitolo sulle misure di sicurezza del manuale.

Tutte le procedure di manutenzione straordinaria o programmata devono essere eseguite da personale qualificato o da un Centro di Assistenza autorizzato. Questo manuale descrive solo le procedure di manutenzione generale e quotidiana. Per le altre procedure di manutenzione che non sono comprese nella sottostante tabella di manutenzione programmata, consultare il Manuale di Riparazione consultabile presso uno qualsiasi dei nostri Centri di Assistenza Clienti.

TABELLA DI MANUTENZIONE PROGRAMMATA



ATTENZIONE!

Le procedure contrassegnate con il numero (1) devono essere eseguite dopo 9 ore di primo utilizzo. Le procedure contrassegnate con (2) devono essere eseguite da un Centro di Assistenza qualificato autorizzato dalla nostra compagnia.

Procedura	Quotidiana, dopo ogni uso	Settimanale	Semestrale	Annuale
Ricarica della batteria				
Pulizia del tergipavimento				
Pulizia di spazzola/pad				
Pulizia del serbatoio				
Ispezione guarnizione del serbatoio				
Pulizia filtro del galleggiante				
Verifica e sostituzione del tergipavimento.				
Pulizia del filtro dell'acqua				
Pulizia del filtro di aspirazione				
Verifica livello del fluido batteria WET				
Ispezione del fissaggio di viti e bulloni			(1)	
Verifica e sostituzione di spazzole/pad				(2)
Verifica e sostituzione dei carboncini del motore di aspirazione				(2)
Verificare o sostituire i carboncini del sistema di trazione (solo per macchine con trazione)				(2)
Aggiungere olio lubrificante alle parti in rotazione			(1)	

RICARICA DELLE BATTERIE



NOTA

Ricaricare le batterie quando il LED giallo (32) o il LED rosso (33) sono accesi, o al termine di ogni ciclo di lavoro.



ATTENZIONE

Tenere sempre la batteria completamente carica per estenderne la durata in vita.



ATTENZIONE

Ricaricare la batteria non appena possibile se il livello della ricarica è basso, altrimenti la durata in vita della batteria può risultare sensibilmente ridotto. Meglio verificare la batteria almeno una volta la settimana.



ATTENZIONE!

Prestare particolare attenzione quando la batteria è sotto carica, poiché potrebbero esserci perdite di acido durante il processo di ricarica.

L'acido delle batterie è corrosivo e se accidentalmente viene a contatto con pelle o occhi, sciacquare immediatamente con acqua abbondante e consultare un medico.

Fasi di preparazione alla ricarica delle batterie

1. Aprire il coperchio del serbatoio di raccolta (B, Figura 16) per verificare se il serbatoio di raccolta (C) è vuoto, o svuotare il serbatoio di raccolta mediante il tubo di drenaggio (A).
2. Guidare la macchina all'area di ricarica designata.
3. Ruotare l'interruttore chiave su "OFF".
4. Questa fase solo per batterie WET:
 - Pulire la superficie della batteria se necessario.
 - verificare il livello elettrolitico delle batterie (D), se necessario, aprire il coperchio per riempire di elettrolitico e quindi richiudere.
 - Tenere il coperchio aperto durante la ricarica.
5. Selezionare una delle modalità seguenti in base al tipo di carica-batteria scelto.

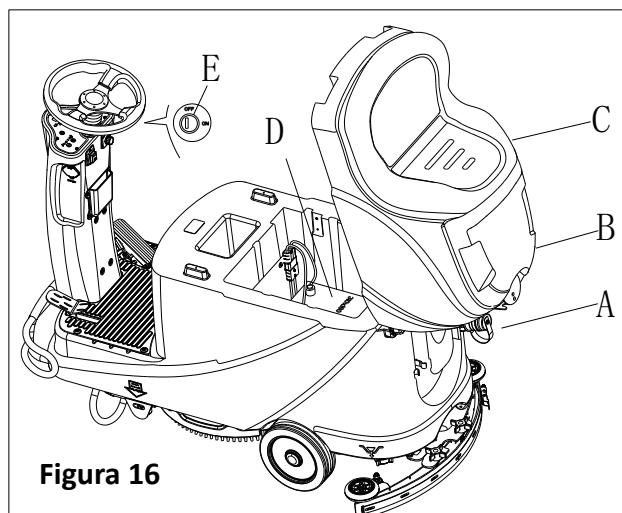


Figura 16

Uso del carica-batterie a bordo per ricaricare le batterie

6. Collegare il cavo del carica-batteria (A, Figura 17) all'alimentazione (G), e quindi tutte le funzioni della macchina eccetto la ricarica vengono automaticamente interrotte. La spia luminosa LED rossa (B) normalmente accesa attesta che la macchina è in ricarica.
7. Le batterie sono completamente cariche quando la luce verde LED (C) si accende.
8. Staccare il cavo di ricarica della batteria dall'alimentazione a ricarica ultimata, quindi riporre il cavo del carica-batterie nel vano porta-oggetti (D).

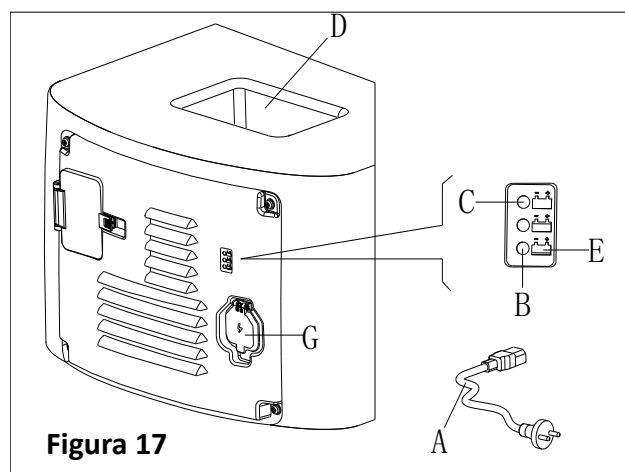


Figura 17



NOTA

Per ulteriori informazioni circa il carica-batterie a bordo (E, Figura 17), consultare il manuale a proposito del Servizio di Assistenza.

PULIZIA SPAZZOLE/DISCO TRASCINATORE



ATTENZIONE!

Si raccomanda di usare guanti durante la pulizia di spazzola e pad dal momento che potrebbero contenere frammenti taglienti.

1. Estrarre spazzola/ pad dalla base seguendo le procedure esposte nelle sezioni precedente.
2. Pulire spazzola/ pad con acqua e detergente.
3. Verificare l'integrità e le condizioni di abrasione delle setole della spazzola e, se necessario, sostituirla.
4. Verificare le condizioni del pad e, se necessario, sostituirlo.

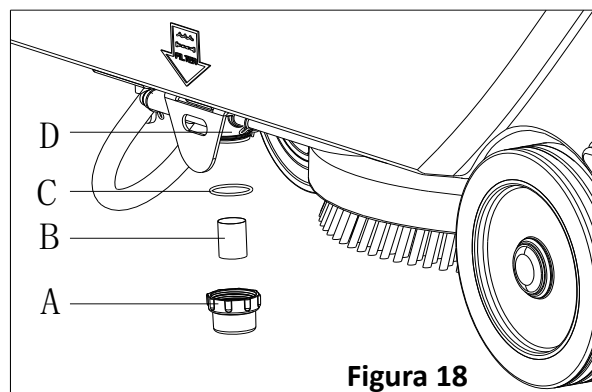


Figura 18

PULIZIA DEL FILTRO DI SOLUZIONE

1. Guidare la macchina su un terreno piatto.
2. Assicurarsi che la macchina sia off.
3. Svuotare il serbatoio della soluzione (facoltativo).
4. Togliere il coperchio del filtro (A, Figura 18) per pulire lo schermo del filtro (B), e quindi riposizionarlo sul supporto del filtro (D).



NOTA

Lo schermo del filtro (B) deve essere correttamente posizionato nell'alloggio di supporto del filtro (D).

PULIRE IL TERGIPAVIMENTO



NOTA

Il tergipavimento deve essere pulito e la sua lama deve essere in buone condizioni se si desidera ottenere una buona asciugatura.



ATTENZIONE!

Si raccomanda di indossare guanti protettivi per la pulizia del tergipavimento perché ci potrebbero essere detriti taglienti.

1. Guidare la macchina su un pavimento piatto.
2. Ruotare l'interruttore chiave (A, Figura 19) su "OFF".
3. Abbassare il tergi-pavimento (B) mediante la leva (C).
4. Allentare la manopola (D) e togliere il tergi-pavimento.
5. Staccare il tubo di aspirazione (E) dal tergi-pavimento.
6. Pulire la parte in acciaio o in alluminio del tergi-pavimento, specie gli scomparti (A, Figura 20) e i fori (B). Verificarne integrità, tagli e strappi della lama frontale (B) e posteriore (C), se necessario, sostituendoli secondo le procedure indicate nel paragrafo seguente.
7. Montare il tergipavimento in ordine inverso a quello di smontaggio.

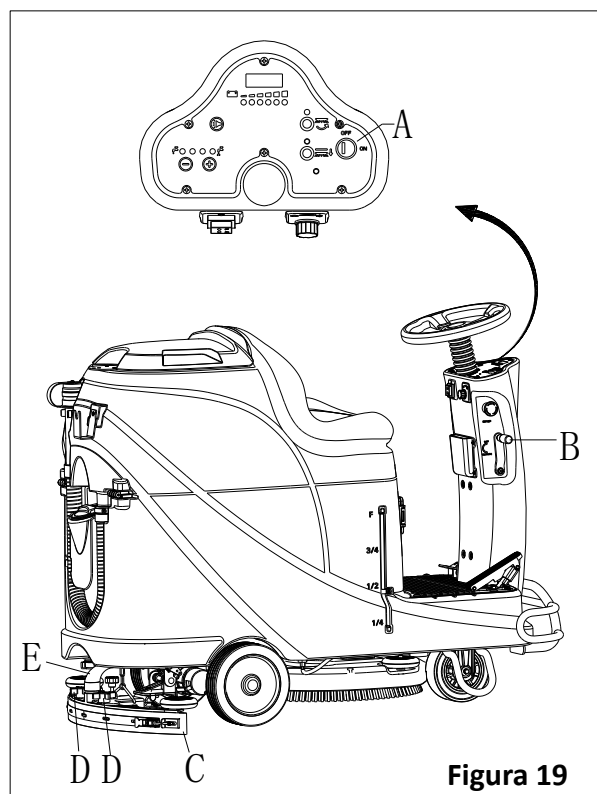


Figura 19

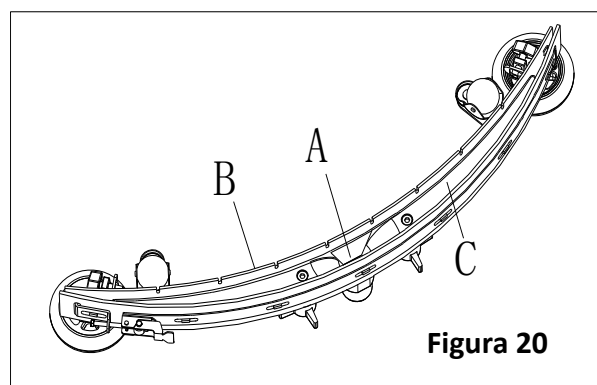


Figura 20

VERIFICA E SOSTITUZIONE DELLA LAMA DEL TERGIPAVIMENTO

1. Pulire il tergipavimento in acciaio o in alluminio come illustrato nel paragrafo precedente.
2. Verificare che i bordi (E, Figura 21) della lama frontale (C) e i bordi (F) della lama posteriore (D) poggino allo stesso livello, per tutta la lunghezza; se necessario, regolare l'altezza seguendo la seguente procedura:
 - Rimuovere il perno di fissaggio (G), staccare i ganci (M) e regolare la lama posteriore (D), quindi fissare i ganci (M) e riposizionare il perno (G).
 - Allentare le manopole (I) e regolare la lama frontale (C), quindi stringere le manopole.
3. Controllare la lama frontale (C) e la lama posteriore (D) per usura, tagli e lacerazioni; se necessario, sostituirli secondo le seguenti procedure. Verificare che lo spigolo frontale (J) della lama posteriore (D) non sia logoro; se necessario, invertire la lama per sostituire lo spigolo logoro con quello integro. Se anche gli altri spigoli sono logori, sostituire la lama seguendo la seguente procedura:
 - Rimuovere il perno di fissaggio (G), staccare i ganci (M) e rimuovere la fascia di ritenzione (K), quindi sostituire/ribaltare la lama posteriore (D). Assemblare la lama in ordine inverso al disassemblaggio.
 - Svitare la manopola (I) e rimuovere la fascia di ritenzione (L), quindi sostituire la lama frontale (C). Assemblare la lama in ordine inverso al disassemblaggio. Dopo la sostituzione (o il ribaltamento) della lama, regolare l'altezza come mostrato nel passo precedente.
4. Collegare il tubo di aspirazione (A, Figura 22) al tergipavimento.
5. Installare il tergipavimento (B) e riavvitare le manopole (C).
6. Se necessario, regolare il bilanciamento del tergipavimento regolando la manopola (D).

PULIZIA SERBATOIO E GRIGLIA DI ASPIRAZIONE CON GALLEGGIANTE E VERIFICA GUARNIZIONE DEL COPERCHIO

1. Guidare la macchina su un pavimento livellato.
2. Assicurarsi che la macchina sia spenta e la chiave di accensione (40) sia stata rimossa.
3. Ruotare il coperchio del serbatoio di raccolta (A, Figura 23) di 90 gradi in modo da poterlo estrarre dal serbatoio, estrarre quindi il filtro galleggiante (P) dal serbatoio.
4. Pulire il coperchio del serbatoio di raccolta (A), il serbatoio di raccolta (B), il serbatoio dell'acqua pulita (C) e il telaio di supporto del filtro galleggiante (E). Svuotare il serbatoio di raccolta con il tubo di scarico (15).
5. Se necessario, seguire i simboli "APERTO" e "Chiuso" come mostra la Figura 23 per aprire il coperchio sul fondo (F) del filtro galleggiante e pulire il galleggiante (D), il telaio di supporto del filtro (E) e la spugna filtro (I). Dopo la pulizia, fissare il galleggiante (D) al telaio di supporto del filtro (E) e quindi allineare il simbolo (L) del tappo inferiore (F) del filtro galleggiante con il simbolo (L) del telaio di supporto del filtro galleggiante (E). Avvitare bene il tappo sul fondo del filtro galleggiante, e fissare la spugna filtro (I) sul telaio di supporto del filtro galleggiante (E). Infine, collegarlo al tubo di aspirazione (M).
6. Ispezionare l'integrità della guarnizione del serbatoio.

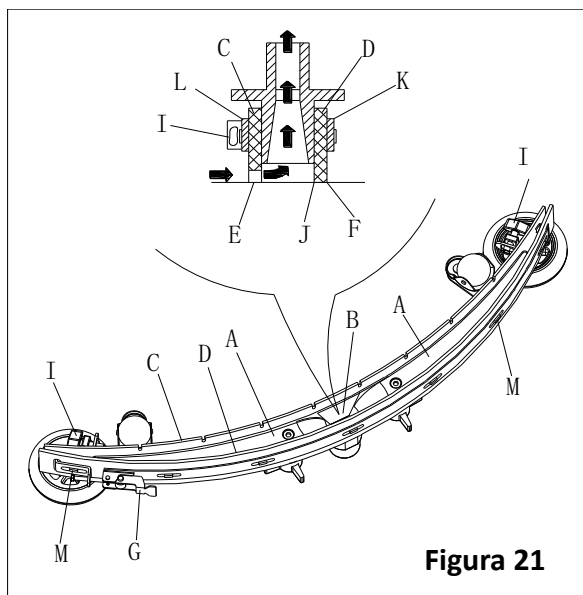


Figura 21

NOTA

i La guarnizione del serbatoio (G) crea il vuoto all'interno del serbatoio quando il motore di aspirazione è in funzione. Il serbatoio deve essere sigillato per poter efficacemente assorbire l'acqua dal suolo e portarla nel serbatoio di raccolta.

7. Verificare che la superficie di contatto della guarnizione (G) sia integra e che sigilli correttamente. Se necessario, togliere la guarnizione dal binario (H) e sostituirla. Montare la nuova guarnizione come mostrato nella Figura 23.
8. Chiudere il coperchio del serbatoio di raccolta (A).

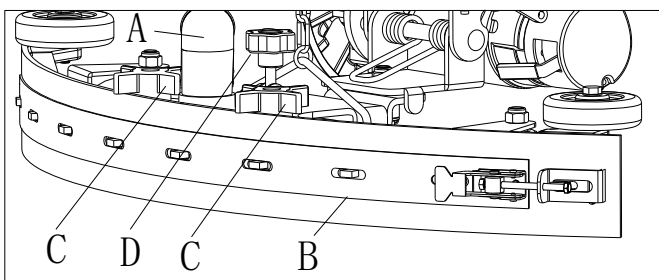


Figura 22

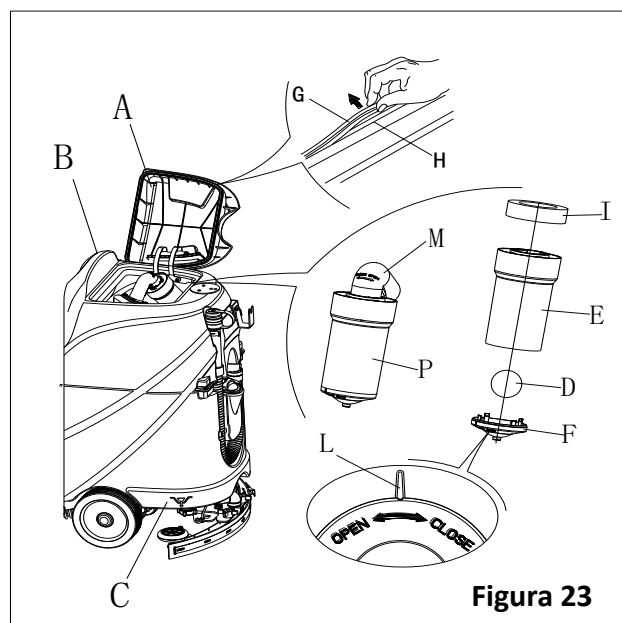


Figura 23

VERIFICA/SOSTITUZIONE FUSIBILE

1. Ruotare l'interruttore chiave (D, Figura 24) su "OFF".
2. Staccare il cavo di connessione della batteria.
3. Svitare le viti (C) sul pannello di controllo e ribaltare il PCBA per trovare il fusibile (A e B).
4. Verificare/sostituire i fusibili:
 - A) F1 è il fusibile di circuito a bassa potenza (5A)
 - B) F3 è il fusibile di smontaggio spazzole (20A)
5. Compiuta la verifica/sostituzione, rimontare in ordine inverso a quello di smontaggio.
6. Verificare o resettare il protettore di sovraccarico del motore.
 - E) F5 è il protettore di sovraccarico motore di aspirazione (30A)
 - F) F4 è il protettore di sovraccarico motore di trazione (30A)
 - G) F2 è il protettore di sovraccarico motore delle spazzole (30A)

ACCESSORI/OPTIONAL

In aggiunta alle componenti standard, la macchina può essere equipaggiata con le seguenti componenti/optional, a seconda dell'uso specifico della macchina.

Per ulteriori informazioni a proposito dei menzionati accessori opzionali, contattare un Rivenditore autorizzato.

Accessori/Optional

Vd. sezione "Lista delle Parti"

1. Batterie GEL/AGM.
2. Pad di differente materiale

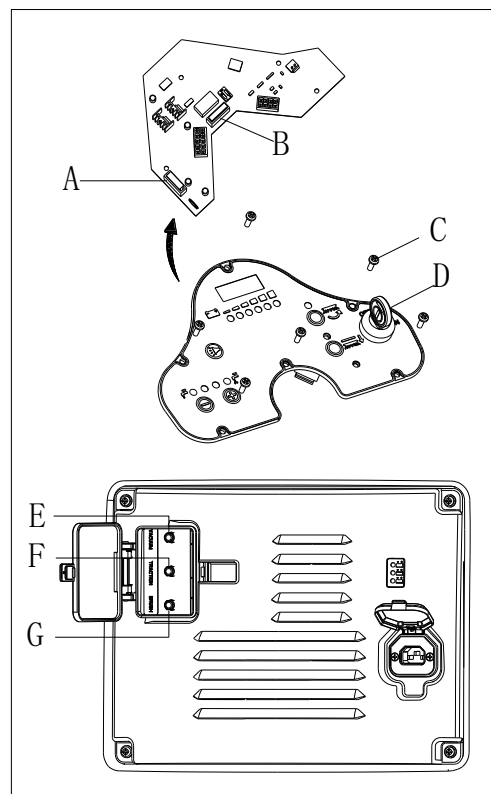


Figura 24

RISOLUZIONE DEI PROBLEMI

Problema	Probabili cause	Rimedio
I motori non funzionano; nessuna spia luminosa si accende (C9)	Il connettore della batteria è scollegato	Collegare il connettore della batteria
	La batteria è completamente scarica	Caricare le batterie
La macchina non funziona, la spia luminosa rossa di batteria scarica è accesa (C8)	Livello delle batterie troppo basso	Caricare le batterie
La macchina non va avanti / indietro	Guasto del pannello del circuito controllo	Sostituire il pannello del circuito di controllo
	Errore scheda trazione	Consultare "Errori trazione"
	L'operatore non è seduto sul sedile	Sedersi sul sedile
	Tergi-pavimento non sollevato con la macchina in retromarcia	Sollevare il tergi-pavimento
Il motore delle spazzole non funziona	Guasto del pannello del circuito controllo	Sostituire il pannello del circuito di controllo
	Sovraccarico del motore delle spazzole	Usare spazzole a setole morbide adatte alla pulizia e resettare il protettore di sovraccarico del motore spazzole
	Guasto contattore del motore spazzole	Contattare il servizio di assistenza
	Usura carboncini motore spazzole	Contattare il servizio di assistenza
	Presenza di ostacoli che impediscono la rotazione delle spazzole	Pulire la spazzola
Il motore trazione non funziona	Spia luminosa dei problemi al motore si accende	Consultare "INFORMAZIONI SULL'INDICATORE DI ERRORE DI MOTORE DELL'UNITÀ"

	Sovraccarico del motore trazione	Resettare il protettore di sovraccarico del motore trazione e verificare l'impianto di trazione
Il motore di aspirazione non funziona	Sovraccarico del motore di aspirazione	Resettare il protettore di sovraccarico del motore di aspirazione e verificare il motore di aspirazione
	Guasto relé del motore di aspirazione	Contattare il servizio di assistenza
	Guasto del pannello di controllo	Sostituire il pannello di controllo
Soluzione insufficiente, impossibile asciugare il pavimento	Serbatoio di raccolta pieno	Svuotare il serbatoio di raccolta
	Scarsa connessione tra tergi-pavimento e tubo di scarico	Collegare correttamente il tubo di scarico e il tergi-pavimento
	Galleggiante del filtro bloccato	Pulire il filtro del galleggiante e verificare la posizione del galleggiante
	Tergi-pavimento sporco o consumato	Controllare e pulire il tergi-pavimento
	Coperchio del Serbatoio di raccolta non correttamente chiuso, o guarnizione danneggiata o tubo ad ansa è intasato	Chiudere il coperchio correttamente, o sostituire la guarnizione o pulire il tubo ad ansa.
	Il serbatoio di raccolta è sporco	Pulire il serbatoio di raccolta
Insufficiente fornitura di soluzione alla testata spazzole	Il filtro della soluzione è sporco	Pulire il filtro
	Spia luminosa del serbatoio della soluzione vuoto è accesa	Riempire il serbatoio della soluzione
	Serbatoio della soluzione troppo sporco	Pulire il serbatoio della soluzione
Il tergi-pavimento lascia segni sul pavimento	Presenza di detriti sotto la lama del tergi-pavimento	Togliere i detriti
	Lama del tergi-pavimento consumata, rotta, vecchia	Sostituire le lame del tergi-pavimento
	La bilanciatura del tergi-pavimento non è regolata	Regolare la bilanciatura del tergi-pavimento
Guasto del freno del motore dell'unità	Il freno è bloccato	Sbloccare il freno

DRIVE MOTOR ERROR INDICATOR INFORMATION

CODICI LED		GUASTO	POSSIBILE CAUSA
1.1	○○○	GUASTO TERMICO	<ol style="list-style-type: none"> 1. Temperatura >80°C o < -10°C. 2. Eccessivo carico sul veicolo. 3. Funzionamento in ambienti estremi. 4. Mancato rilascio del freno elettromagnetico.
1.2	○○○○	GUASTO VALVOLA A FARFALLA	<ol style="list-style-type: none"> 1. Cavo potenziometro interrotto. 2. Valvola a farfalla difettosa. 3. Tipo di valvola a farfalla selezionato sbagliato.
1.3	○○○○○	ERRORE DEL POTENZIOMETRO DI VELOCITA'	<ol style="list-style-type: none"> 1. Cavo del potenziometro limite di velocità rotto o in corto. 2. Cavo del potenziometro limite di velocità rotto.
1.4	○○○○○○	ERRORE DI SOTTOVOLTAGGIO	<ol style="list-style-type: none"> 1. Voltaggio batteria <17 volt. 2. Cattiva connessione a batteria o controllore.
1.5	○○○○○○○	ERRORE DI SOVRAVOLTAGGIO	<ol style="list-style-type: none"> 1. Voltaggio batteria >31 volt. 2. Veicolo in funzione con carica-batteria attaccato. 3. Connessione alla batteria intermittente.
2.1	○○○○	ERRORE ALIMENTAZIONE OFF	<ol style="list-style-type: none"> 1. Mancata apertura teleruttore principale.

2.3	☐☐☐☐☐☐	ERRORE ALIMENTAZIONE *	<ol style="list-style-type: none"> 1. Teleruttore principale saldato o bloccato aperto. 2. Errore di azionamento teleruttore principale.
2.4	☐☐☐☐☐☐☐	ERRORE ALIMENTAZIONE ON	<ol style="list-style-type: none"> 1. Mancata apertura contattore teleruttore.
3.1	☐☐☐☐☐	ERRORE DI CABLAGGIO *	<ol style="list-style-type: none"> 1. Valvola a farfalla non correttamente regolata. 2. Potenzimetro o meccanismo della valvola a farfalla rotto.
3.2	☐☐☐☐☐☐	ERRORE DEL FRENO	<ol style="list-style-type: none"> 1. Azionamento del freno elettromagnetico in corto. 2. Freno elettromagnetico bobina aperta.
3.3	☐☐☐☐☐☐☐	ERRORE DI PRE-CARICA *	<ol style="list-style-type: none"> 1. Azionamento del freno in corto. 2. Circuito di pre-carica danneggiato. 3. Guasto di MOSFET.
3.4	☐☐☐☐☐☐☐☐	ERRORE DISTACCO DEL FRENO	<ol style="list-style-type: none"> 1. Azionamento del freno elettromagnetico aperto. 2. Bobina del freno elettromagnetico in corto.
3.5	☐☐☐☐☐☐☐☐☐	ERRORE HPD	<ol style="list-style-type: none"> 1. Sequenza scorretta di valvola a farfalla e KSI, pressione, o input inibiti. 2. Potenzimetro acceleratore mal regolato.
4.1	☐☐☐☐☐☐	ERRORE NEL SENSO DELLA CORRENTE *	<ol style="list-style-type: none"> 1. Corto circuito nel motore o nel cablaggio del motore. 2. Guasto del controllore.
4.2	☐☐☐☐☐☐☐	SEGNALAZIONE GUASTO HARDWARE *	<ol style="list-style-type: none"> 1. Il voltaggio del motore non corrispondente alla richiesta di accelerazione. 2. Cortocircuito nel motore o nel cablaggio del motore. 3. Guasto del controllore.
4.3	☐☐☐☐☐☐☐☐	GUASTO SOMMA DI CONTROLLO EEPROM †	<ol style="list-style-type: none"> 1. EEPROM errore o guasto.
4.5	☐☐☐☐☐☐☐☐☐☐	GUASTO DI COLLEGAMENTO BATTERIA *	<ol style="list-style-type: none"> 1. Batteria non connessa. 2. Scarsa connessione ai terminali della batteria.

* = Bisogna girare l'interruttore chiave per azzerare.

† = Bisogna usare il programmatore per azzerare, come segue: selezionare menu Programma, modificare il valore dati di qualsiasi parametro, girare l'interruttore chiave.



NOTA

La macchina che è dotata di carica-batteria a bordo non sarà alimentata quando il carica-batteria a bordo non funziona correttamente; contattare il nostro centro di assistenza qualificato per ricevere aiuto.

SMALTIMENTO

Fate rottamare la macchina da un centro di Smaltimento Rifiuti Autorizzato.

Prima di rottamare la macchina, togliere e smaltire separatamente le parti che necessitano di smaltimento particolare, secondo la normativa vigente.

- Batteria
- Spazzola/Disco trascinatore
- Tubi e parti in plastica
- Componenti elettriche ed elettroniche (*)

(*) Si prega di contattare il nostro servizio di assistenza per lo smaltimento delle componenti elettriche e elettroniche.

INNHold

INNLEDNING	133
INNHold OG FORMÅL	133
OPPBEVARING AV HÅNDBOKEN	133
SAMSVARSEKLÆRING	133
TILBEHØR OG VEDLIKEHOLD	133
ENDRINGER OG FORBEDRINGER	133
BRUKSOMRÅDE	133
IDENTIFIKASJONSDATA	133
TRANSPORT OG UTPAKKING	133
SIKKERHET	134
SYMBOLER SOM ER BRUKT I BRUKSANVISNINGEN	134
GENERELLE SIKKERHETSANVISNINGER	134
MASKINBESKRIVELSE	136
MASKINSTRUKTUR	136
BETJENINGSPANEL	137
INFORMASJON I LED-DISPLAYET	137
LADEINDIKATORER	137
TECHNICAL PARAMETERS	138
KOBLINGSSKJEMA	139
BRUKERVEILEDNING	141
INSTALLASJON OG INNSTILLING AV NYTT BATTERI	141
INSTALLASJON AV BATTERI OG INNSTILLING AV BATTERITYPE (VÅT ELLER GEL/AGM)	141
NØDBREMS	143
MONTERING OG DEMONTERING AV BØRSTE/PAD	143
JUSTERING AV VINKEL PÅ NAL	144
FYLLING AV VASKELØSNINGSTANK	144
START OG STOPP AV MASKINEN	145
MASKINDRIFT (SKURING OG TØRKING)	146
TØMMING AV TANK	147
ETTER BRUK AV MASKINEN	147
LAGRING OVER LANG TID	147
FØRSTEGANGS BRUK	148
VEDLIKEHOLD	148
VEDLIKEHOLDSPLAN	148
BATTERILADING	148
RENGJØRING AV BØRSTE/PAD	149
RENGJØRING AV VASKELØSNINGSFILTER	150
RENGJØRING AV NAL	150
SJEKK OG SKIFT AV NAL	150
RENGJØRING AV TANK OG SUGEFILTER MED FLOTTØR OG SJEKK AV TETNING PÅ DEKSELET	151
SJEKKE/SKIFTE SIKRINGER	152
TILBEHØR/EKSTRAUTSTYR	152
FEILSØ KING	152
DESTRUERING	154

INNLEDNING



MERK

Tallene i parentes viser til komponentene som er vist under "Maskinbeskrivelse".

INNHold OG FORMÅL

Formålet med denne bruksanvisningen er å gi den som bruker maskinen nødvendig informasjon for bruk og sikkerhet. Den inneholder informasjon om tekniske data, sikkerhet, drift, lagring, vedlikehold, reservedeler og hvordan den skal destrueres etter endt levetid.

Før operatører eller teknisk personell tar i bruk eller utfører arbeid på maskinen, må de lese nøye gjennom denne håndboken først. Ta kontakt med vårt servicesenter for spørsmål om denne håndboken eller for ytterligere informasjon. Operatører må ikke utføre arbeid som burde gjøres av kvalifisert teknisk personell. Vi påtar oss intet ansvar for skader som følge av at dette ikke overholdes.

OPPBEVARING AV HÅNDBOKEN

Håndboken må oppbevares i nærheten av maskinen i en egnet mappe, borte fra væsker og andre stoffer som kan føre til at den blir ødelagt.

SAMSVARERKLÆRING

Samsvarerklæringen leveres med maskinen og bekrefter at maskinen samsvarer med gjeldende forskrifter.



MERK

Kopi av den originale samsvarerklæringen leveres sammen med dokumentasjonen for maskinen.

TILBEHØR OG VEDLIKEHOLD

All bruk må utføres av kvalifisert personell, og vedlikehold og reparasjoner må utføres på et av våre servicesenter. Det skal KUN brukes godkjente reservedeler og tilbehør.

Ta kontakt med vår kundeservice for service eller kjøp av tilbehør og reservedeler.

ENDRINGER OG FORBEDRINGER

Vi tar sikte på kontinuerlig forbedring av våre produkter, og forbeholder oss retten til å foreta endringer og forbedringer uten ytterligere varsel.

BRUKSOMRÅDE

Gulvvaskeren er beregnet for kommersiell og industriell bruk. Den er laget for rengjøring av glatte og harde gulv, for bruk av kvalifisert personell på en trygg måte. Den er ikke beregnet for utendørs bruk eller for rengjøring av tepper eller grovstrukturerte gulv.

IDENTIFIKASJONSDATA

Maskinens serienummer og modellnavn er merket på typeskiltet.

Her finnes nyttig informasjon. Skriv inn maskinens identifikasjonsdata i tabellen nedenfor, og bruk den når det skal bestilles reservedeler til maskinen.

MASKINMODELL.....
MASKIN SERIENUMMER.....

TRANSPORT OG UTPAKKING

Ved levering av maskinen, må det sjekkes at emballasjen og maskinen er hel og uskadet. Hvis noe er skadet, må transportøren gjøres oppmerksom på skaden og før du godtar leveransen må du forbeholde deg retten til kompensasjon for skaden.

Følg anvisningene for utpakking av maskinen når den skal pakkes ut.

Sjekk at følgende elementer finnes i forpakningen:

1. Teknisk dokumentasjon som brukerhåndbok og bruksanvisning for innebygd lader hvis maskinen er utstyrt med det.
2. Ladekabel hvis maskinen er utstyrt med lader.

SIKKERHET

Følgende symboler indikerer potensielt farlige situasjoner. Les alltid nøye gjennom denne informasjonen, og ta alle nødvendige forholdsregler for å beskytte personell og materiell.

SYMBOLER SOM ER BRUKT I BRUKSANVISNINGEN



FARE!

Indikerer en farlig situasjon som kan føre til dødsfall for operatøren.



ADVARSEL!

Indikerer en potensiell fare som kan føre til personskade.



ADVARSEL!

Indikerer en advarsel eller en merknad knyttet til viktige eller nyttige funksjoner. Vær spesielt oppmerksom på avsnittene som er merket med dette symbolet.



MERK

Indikerer en en merknad knyttet til viktige eller nyttige funksjoner.



SE BRUKSANVISNING

Indikerer at det henvises til bruksanvisningen før det utføres noen prosedyre.

GENERELLE SIKKERHETSANVISNINGER

Nedenfor er det beskrevet spesifikke advarsler og forsiktighetsregler for å informere om potensielle skader på personer og maskin.



FARE!

- Denne maskinen skal kun brukes av kvalifisert og autorisert personell i henhold til informasjonen i håndboken.
- Før det gjøres noe som helst rengjøring, vedlikehold, reparasjoner eller utskiftinger, må alle instruksjoner leses nøye gjennom, slå av maskinen og koble fra batterikontakten.
- Ikke bruk maskinen i nærheten av giftige, farlige, brennbare og/eller eksplosive pulver, væsker eller damp. Denne maskinen er ikke egnet for oppsamling av farlig pulver.
- Du må ikke være iført smykker ved arbeid i nærheten av elektriske komponenter.
- Ikke arbeid under en hevet maskin uten at den er støttet av bukker.
- Ved bruk av blybatterier, kan de avgi brannfarlig gass under normal bruk, slik at må gnister, flammer, rykende materialer og gjenstander som utvikler røyk eller varmestraler må holdes borte fra batteriene.
- Under lading av blybatterier kan de avgi hydrogengass, som kan føre til eksplosjoner. Området der ladingen foregår mer være godt ventilert og borte fra åpen ild.



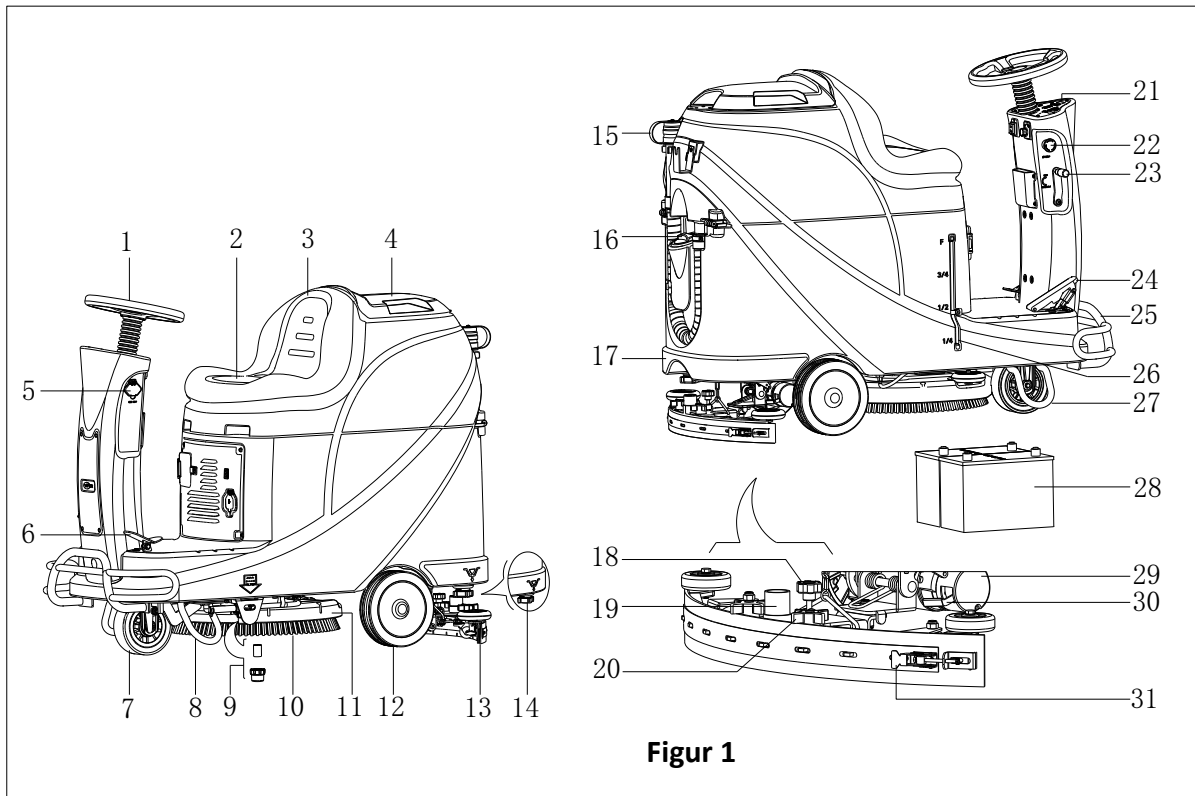
ADVARSEL!

- Sjekk maskinen nøye før hver bruk. Påse at alle komponenter er riktig montert før bruk. I annet fall kan det føre til materielle skader og personskader.

- Før batteriladeren tas i bruk, må det sjekkes at verdiene for frekvens og spenning som er oppgitt på typeskiltet på maskinen, samsvarer med verdiene for strømmettet.
- Flytt aldri maskinen ved å trekke i batteriladekabelen. Ikke legg kabelen gjennom lukket dør, eller langs skarpe kanter eller hjørner. Ikke kjør maskinen over batteriladekabelen. Hold batteriladekabelen borte fra varme overflater.
Ikke lad batteriene hvis batteriladekabelen eller støpselet er skadet.
- For å redusere risikoen for brann, elektrisk støt eller andre skader, må maskinen slås av når du forlater den.
- Bruk eller oppbevar maskinen innendørs i tørre omgivelser. Maskinen er ikke beregnet for utendørs bruk.
- Maskinens lagrings- og arbeidstemperatur må være mellom 0 °C og 40 °C, og luftfuktigheten må være mellom 30% og 95%.
- Ikke bruk maskinen i hellinger som overskrider spesifisert tillatt vinkel.
- Ved bruk og håndtering av rengjøringsmidler for gulv, følg instruksjonene på etikettene på emballasjen for rengjøringsmidlene og bruk egnede hansker og beskyttelse.
- Bruk børster og pads som følger med maskinen eller som er definert i håndboken. Bruk av andre børster eller pads kan redusere sikkerheten.
- Ved maskinfeil må det sjekkes at feilen ikke har oppstått på grunn av manglende vedlikehold. Om nødvendig kan du be om hjelp fra autorisert personell eller et autorisert servicesenter.
- Ta alle nødvendige forholdsregler for å hindre at hår, smykker og løstsittende klær kan hekte seg inn i bevegelige deler på maskinen.
- Ikke bruk maskinen i svært støvete omgivelser.
Ikke vask maskinen med direkte stråle eller høytrykksspyler, eller etsende stoffer.
- Ikke la maskinen støte mot på hyller eller stillas, spesielt når det er fare for fallende gjenstander.
- Ikke len beholdere med væske mot maskinen, bruk i stedet tilhørende utstyr for oppbevaring.
- For å unngå skade på gulvet, må ikke børste/pad gå rundt mens maskinen står stille.
- Dersom det oppstår brann, bruk pulverapparat for å slukke den. Ikke bruk væskebaserte brannslukningsapparater.
- Ikke fjern eller modifier etikettene på maskinen.
- Sikkerhetsanordninger på maskinen må ikke modifieres/deaktiveres. Følg nøye vedlikeholdsinstruksene som er beskrevet.
- Vær forsiktig ved transport av maskinen når temperaturen er under frysepunktet. Vannet i oppsamlingstanken og i slangene kan fryse, og således føre til alvorlig skade på maskinen.
- Hvis det skal byttes ut deler, må det bestilles originale reservedeler fra en autorisert forhandler eller verksted.
- Lever inn maskinen til et servicesenter hvis den ikke fungerer som normalt, eller hvis den er skadet, har stått utendørs, eller blitt nedsenket i vann.
- For å sikre en sikker og forsvarlig drift av maskinen, må det utføres planlagt vedlikehold som beskrevet i de ulike kapitlene i denne håndboken, av enten autorisert servicepersonell eller et autorisert servicesenter.
- Maskinen må avhendes forsvarlig, da det finnes giftige/skadelige materialer (batterier, etc.) som er underlagt forskrifter som krever avhending på spesialmottak (se kapitlet "Avhending").
- Denne maskinen er ment som et rengjøringsverktøy, og ikke for noen andre bruksområder.
- Hold alltid åpningene fri for støv, hår og alle andre fremmedlegemer som kan hindre luftstrømmen. Ikke bruk maskinen hvis noen av åpningene er blokkert.
- Maskinen må kun brukes på steder med god belysning.
- Maskinen er ikke beregnet for bruk av personer med redusert fysiske, sensoriske eller mentale evner eller mangel på erfaring og kunnskap, med mindre de er under tilsyn eller er gitt opplæring i bruk av maskinen av en person med ansvar for deres sikkerhet.
- Vær ekstra årvåken når maskinen brukes i nærheten av barn.
- Barn bør være under tilsyn for å sikre at de ikke leker med denne maskinen.
- Utvis forsiktighet ved bruk av maskinen, slik at det ikke oppstår personskader eller materielle skader.

MASKINBESKRIVELSE

MASKINSTRUKTUR (som vist i Figur 1)



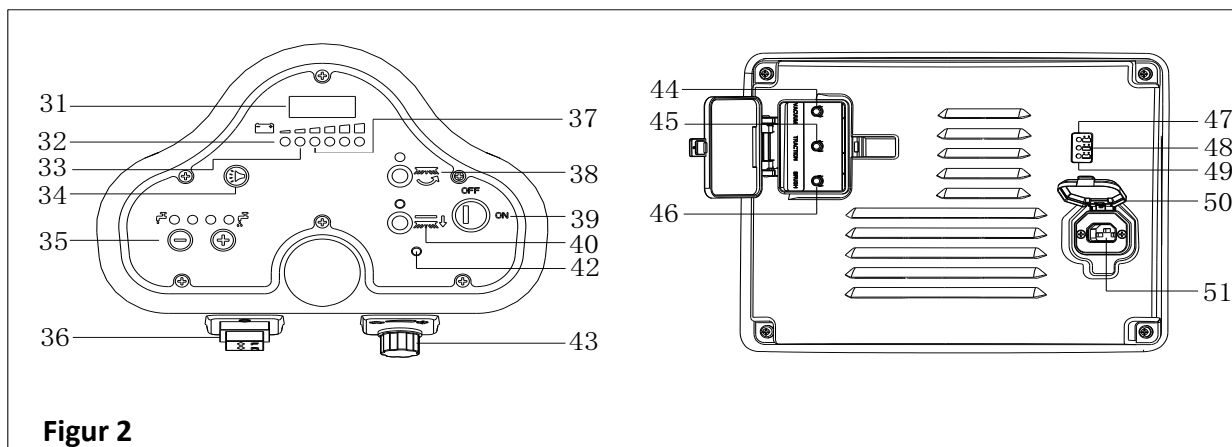
Figur 1

1. Ratt
2. Sete
3. Oppsamlingstank
4. Lokk på oppsamlingstank
5. USB ladeuttak
6. Pedal
7. Forhjul
8. Venstre støttebrakett
9. Vaskeløsningsfilter
10. Børste
11. Børstedekk
12. Bakhjul
13. Nalsammenstilling
14. Deksel på vaskeløsningsstank
15. Tømmeslange
16. Vannpåfyllingslokk

17. Vaskeløsningsstank
18. Naljustering
19. Sugeslange
20. Nalskrue
21. Betjeningspanel
22. Nødstoppbryter
23. Nalhendel for heving/senking av nal
24. Gasspedal
25. Fremre støtfanger
26. Nivåindikator for vaskeløsningsstank
27. Høyre støttebrakett
28. Batteri
29. Drivmotor
30. Bremsklossfeste
31. Nalhengsel

MASKINBESKRIVELSE

BETJENINGSPANEL (som vist i Figur 2)



Figur 2

- | | |
|--|--|
| 31. LED-display | 42. Lampe for problem med drivmotor |
| 32. Indikator for utladet batteri (rød) | 43. Hastighetsvelger |
| 33. Indikator for halvveis utladet batteri (gul) | 44. Overbelastningsvern på sugemotor |
| 34. Hornknapp | 45. Overbelastningsvern på drivmotor |
| 35. Justering av vaskeløsningsvolum | 46. Overbelastningsvern på børstemotor |
| 36. Forover/revers-knapp | 47. Indikator for fulladet batteri (grønn) |
| 37. Indikator for utladet batteri (grønn) | 48. Indikator for halvveis ladet batteri (gul) |
| 38. Børsteknapp | 49. Ladeindikator (rød) |
| 39. Nøkklebryter | 50. Deksel for ladekontakt |
| 40. Knapp for frigjøring av børste | 51. Ladekontakt |

INFORMASJON I LED-DISPLAYET

STOP - Maskinen kan ikke bevege seg, børsten slutter å virke, men sugemotoren fungerer

(00012.3) – Total driftstid for maskinen er 12,3 timer

L0-(18) – Batterispenning lavere enn 18V

U-(25.5) – Batterispenning er 25,5V

ERR-01 – Nalen er ikke hevet når maskinen går bakover

LADEINDIKATORER (som vist i Figur 2)

- I begynnelsen av ladingen, den røde LED -en (49) på laderen er normalt på. Dette er den første fasen av ladingen.
- Etter en stund med lading, slukkes den røde lampen (49) på laderen, den gule lampen (48) begynner å lyse. Dette er den andre fasen av ladingen.
- Etter at ladingen er ferdig, slukker den gule lampen (48) og den grønne lampen (47) begynner å lyse for å indikere at batteriet er fulladet.



MERK

Hvis den gule lampen (48) begynner å lyse i løpet av ladingen, kan det være forårsaket av: Batteri og lader er ikke kompatible, batteriet er ikke godt nok tilkoblet, eller utgangen er kortsluttet.

Hvis den røde lampen blinker, kan det være på grunn av intern kortslutning i laderen.

TECHNICAL PARAMETERS

MODEL	AS530R	
Pakkestrørrelse (LxBxH)	mm	1470*730*1310
Maskinhøyde	mm	1120
Maskinlengde	mm	1360
Maskinbredde (uten nal)	mm	580
Maskinvekt med tomme tanker (uten batterier)	Kg	140
Totalvekt (GVW)	Kg	270
Frakt vekt	Kg	245
Rengjøringsmiddelstank	Liter	72
Skittenvannstank	Liter	73
Vacuum motor	Watt	400
Vacuum kapasitet	mm H ₂ O	1223
Stigningskapasitet (max)	%	10
Front hjul, diameter	mm	φ175
Bakhjul, diameter	mm	φ230
Lydnivå	dB(A)	69
Løsning/ vannmengde	L/min	0.84-2.0
Arbeidsbredde	mm	530
Nalbredde	mm	730
Børste/pad diameter	mm	530
Børstemotor	Watt	450
Børste hastighet	Opm	160
Børste/pad trykk (max)	Kg	23
Kjøremotor	Watt	300W
Arbeidshastighet	km/t	5,5km/t
Volt	V	24V
Batteri (ekstraustyr)	Ah	2x100AH (20 timer)
Batterilader (ekstraustyr)	V/A	24V 10A
Batterirom (LxBxH)	mm	350*380*300
Spesifikasjoner på USB ladeuttak	V/A	5V, 0,8A

KOBLINGSSKJEMA

|

|

|

KOMPONENTER		KOMPONENTER	
BAT	24V BATTERIER	M1	BØRSTEMOTOR
CH	BATTERILADER	M2	SUGEMOTOR
EB1	KRETSKORT FOR BETJENINGSPANEL	M3	DRIVMOTOR
EB2	KRETSKORT FOR USB-LADER	SW1	NØDSTOPPBRYTER
EB3	KRETSKORT FOR DRIVMOTOR	SW2	NØKKELBRYTER
RL1	ELECTROM-BRYTER BØRSTEMOTOR		
RL2	ELECTROM-BRYTER SUGEMOTOR	SW4	BRYTER FOR SUGEMOTOR
RL3	ELECTROM-BRYTER FOR DRIVVERK	SW5	VALGFRI MODUSBRYTER
YV	ELEKTROVENTIL VANN	SW6-A	VALGFRI REVERSBRYTER
F1	SIKRING FOR KRETSKORT FOR BETJENINGSPANEL	SW6-B	VALGFRI REVERSBRYTER
F2	KRETSBRYTER FOR BØRSTEMOTOR	SW7	SETEBRYTER
F3	KRETSBRYTER FOR SUGEMOTOR	SQ	GASSPEDAL
F4	KRETSBRYTER FOR DRIVVERK	SPK	12VDC LYDSIGNAL
F5	SIKRING FOR BØRSTERELE	VR	HASTIGHETSPOTENSIOMETER
KA	BREMSE		

LEDNING		LEDNING	
RD1	RØD/6AWG	BN/BK	BRUN/SVART/20AWG
RD2	RØD/10AWG	BU1	BLÅ/18AWG
RD3	RØD/18AWG	BU2	BLÅ/20AWG
RD4	RØD/20AWG	BU/BK	BLÅ/SVART/20 AWG
RD/BK	RØD/SVART/20AWG	GN	GRØNN/20AWG
BK1	SVART/6AWG	GN/BK	GRØNN/SVART/20AWG
BK2	SVART/10AWG	GY	GRÅ/20AWG
BK3	SVART/12AWG	PU	LILLA/20AWG
BK4	SVART/14AWG	OR	ORANSJE/20AWG
BK5	SVART/18AWG	YE	GUL/20AWG
BN1	BRUN/14AWG	WH1	HVIT/12 AWG
BN2	BRUN/20AWG	WH2	HVIT/20AWG

BRUKERVEILEDNING



ADVARSEL!

Vær oppmerksom på disse symbolene i håndboken:

- FARE!
- ADVARSEL!
- FORSIKTIG!
- SE BRUKSANVISNING

Dekk aldri til disse symbolene på maskinen, erstatt dem umiddelbart hvis de er skadet.

INSTALLASJON OG INNSTILLING AV NYTT BATTERI



ADVARSEL!

De elektriske komponentene i maskinen kan bli skadet hvis batteriene installeres eller tilkobles på feil måte.

Batteriene må kun installeres av kvalifisert personell. Still inn batteriladeren (ekstrautstyr) maskinens PCBA i henhold til batteritype (VÅT eller GEL/AGM).

Sjekk batteriene for skader før installasjon.

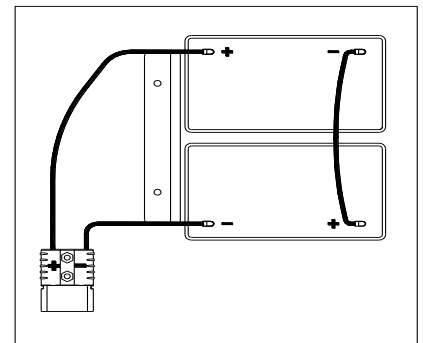
Koble fra batterikontakten og ladekontakten.

Batteriene må håndteres med forsiktighet.



MERK

Maskinen bruker 2 x 12V batterier, koblet i henhold til Figur 3.



Figur 3

Maskinen kan brukes i følgende batterimodi:

A) Våtbatterier eller GEL/AGM-batterier allerede installert og klar til bruk

1. Sjekk batteriene og koble dem til batterikontakten på maskinen.
2. Sett inn nøkkelen i nøkkelbryteren (40) og vri den til posisjon "ON". Når den grønne lampen (37) begynner å lyse er batteriene fulladet. Når den gule eller røde lampen (33 eller 32) begynner å lyse, må batteriene lades.

B) Uten batterier

1. Hvis maskinen ikke er utstyrt med batterier, må du anskaffe kompatible batterier [se tekniske data]. For valg og installasjon av batterier, må det kun brukes kvalifiserte batteriforhandlere.
2. Når batteriene er klare, still inn maskinen og batteriladeren i henhold til batteritype, og følg deretter prosedyrene som beskrevet i neste avsnitt.

INSTALLASJON AV BATTERI OG INNSTILLING AV BATTERITYPE (VÅT ELLER GEL/AGM)

Still inn kretskortet på maskinen og batteriladeren i henhold til batteritype (VÅT eller GEL/AGM) som følger:



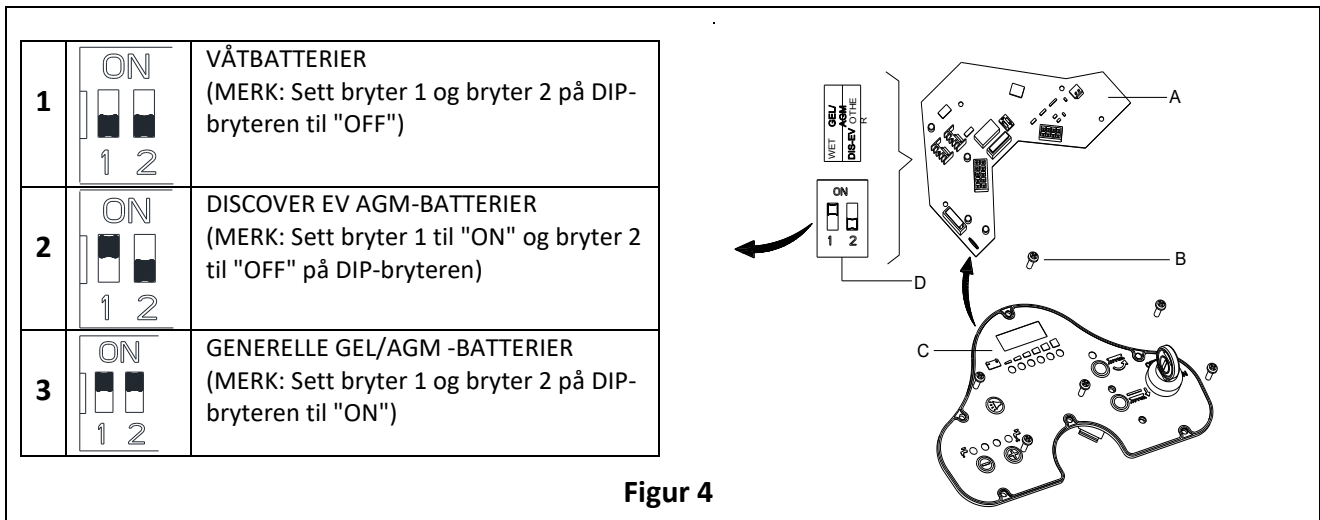
MERK

Ved installasjon av nye batterier, se Figur 4 for å stille inn DIP-bryteren, batteriene kan bli skadet av feil innstilling.

Maskininnstilling

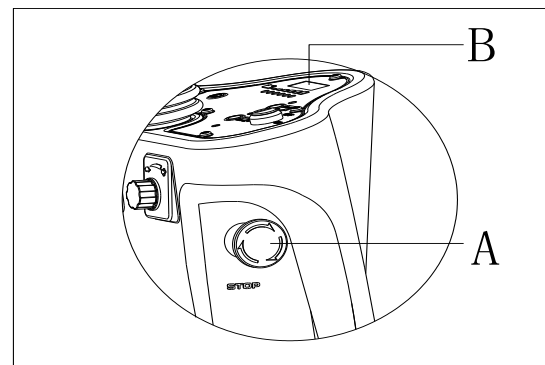
1. Sett inn nøkkelen i nøkkelbryteren (40) og vri den til posisjon "ON". Vær oppmerksom på følgende de første sekundene:
 - Hvis den grønne lampen (37) blinker, er maskinen innstilt til å bruke GEL/AGM-batterier.
 - Hvis den gule lampen (33) blinker, er maskinen innstilt til å bruke Discover EV AGM-batterier.
 - Hvis den røde lampen (32) blinker, er maskinen innstilt til å bruke våtbatterier.
2. Gjør følgende for å endre maskininnstillinger.
3. Fabrikkinnstillingen er satt til Discover EV AGM-batterier. Hvis innstillingen samsvarer med valgte batterier, gå direkte til trinn 6, gå ellers videre til neste trinn.
4. Skru ut skruen (B, Figur 4) på betjeningspanelet, vipp opp PCBA (A) på panelet for å lokalisere DIP-bryteren (D), se Figur 4 for DIP-innstillinger.

5. Utfør trinnene i motsatt rekkefølge for å sette på plass betjeningspanelet og skru fast skruen når innstillingen er gjort.



Installasjon av batteri

- Åpne lokket på oppsamlingstanken (4) og sjekk at oppsamlingstanken (3) er tom, hvis ikke tøm den med avløpsslagen (15).
- Lukk lokket på oppsamlingstanken (4).
- Flytt oppsamlingstanken (3) forsiktig på siden.
- Maskinen leveres med kabler som brukes for tilkobling av 2x12V batterier. Sett forsiktig batteriene inn i batterirommet, og koble dem deretter til på riktig måte.
- Legg batterikabelen som vist i Figur 3, og stram deretter forsiktig mutteren på hver batteripol.
- Sett på plass hetten på hver batteripol og koble deretter til batterikontakten.
- Sett oppsamlingstanken (3) forsiktig på plass.



Figur 5

Lade batteriene

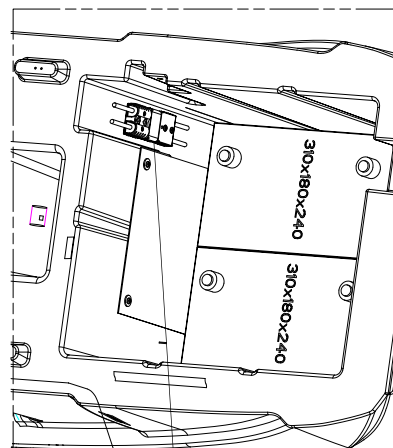
- Lading av batteriene. [Se VEDLIKEHOLD].

Batteriladerinnstilling (kun for integrert lader hvis installert)

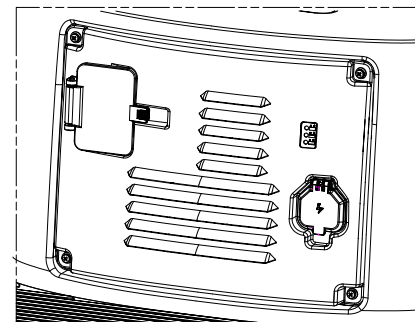
Batterilader

Batteriladeren er plassert inne i det bakre dekselet og koblet direkte til batteriene. Laderen kontrolleres av en mikroprosessor og bruker forskjellige ladekurver for optimal ytelse av forskjellige batterityper.

- Koble fra kabelkonnektoren som leder til batteriene.
- Fjern de bakre dekslene.
- Fjern de 4 skruene (B) og fjern laderen (A).



Disconnect the connector



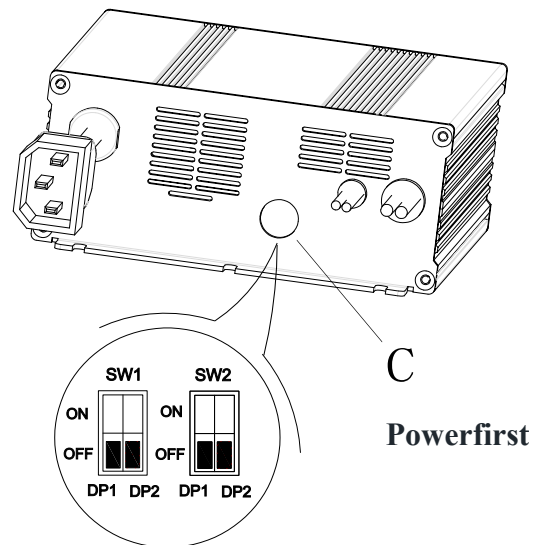
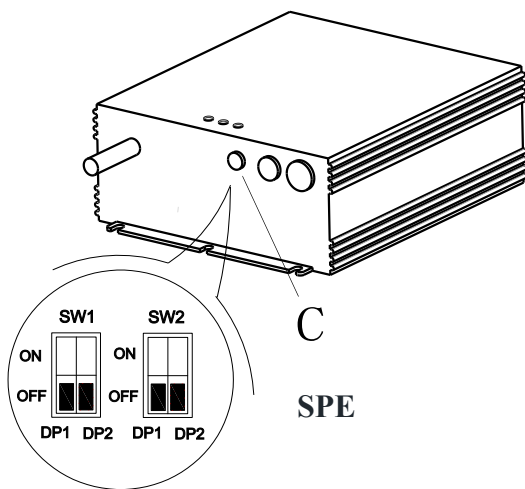
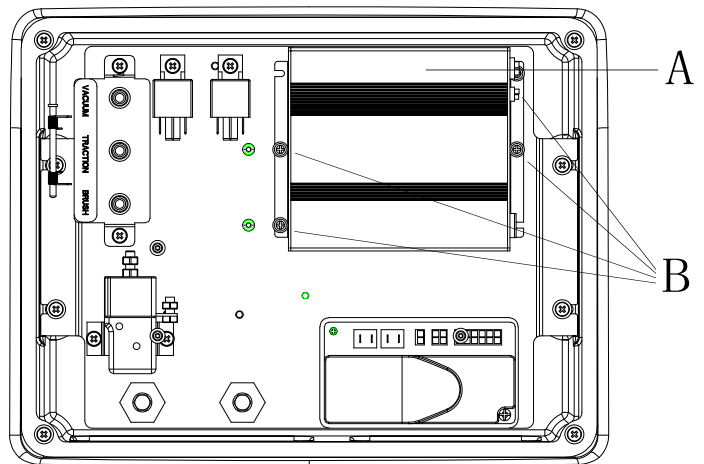
Rear cover

Batteritype DIP-brytere

Laderens funksjon kontrolleres av 4 dip-brytere (2 par) inne i bakdekelet. De andre 2 bryterne må aldri berøres med mindre laderen har blitt byttet ut og posisjonen deres må bekreftes. Still inn batterispenningen (24V) og maksimal strømstyrke (10A) og de skal alltid være i Off-posisjon.

De første to bryterne er tilgjengelige via en plastplugg uten å måtte åpne laderen. Disse bryterne stiller inn typen ladekurve som brukes for hver type batteri. Kurvetypen betyr måten og størrelsen som strømmen og spenningen påføres batteriet under de forskjellige fasene i ladesyklusen.

1. Fjern plastpluggen som dekker adgangshullet (C) til dip-bryteren.
2. Still inn de første 2 dip-bryterne (SW1) i henhold til tabellinformasjonen under.
3. Skift ut plastpluggen.



Curve/Battery Type	SW1		SW2	
	D1	D2	D1	D2
IUIa Wet	On	Off		
IUIa Gel Exide	Off	Off	Off	Off
IUoU AGM	Off	On		
IUIa AGM Discover	On	On		

Curve/Battery Type	SW1		SW2	
	D1	D2	D1	D2
IUIa Wet	On	Off		
IUIa Gel Exide	Off	Off	Off	Off
IUIa AGM	Off	On		
IUIa AGM Discover	On	On		

NØ DBREMS

Hvis det oppstår en nødsituasjon når maskinen er i drift, trykk på nødstopknappen (A, Figur 5). Alle funksjoner på maskinen vil stoppe, og det er displayet i betjeningspanelet slås av (B, Figur 5)

MONTERING OG DEMONTERING AV BØRSTE/PAD



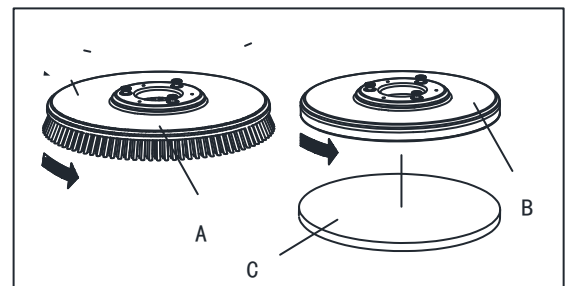
MERK

Monter enten børste (A, Figur 6) eller pad (B og C, Figur 6) i henhold til gulvtypen som skal rengjøres.



FORSIKTIG

Før montering eller demontering av børste eller pad, sørg for at alle brytere på maskinen er i nøytral stilling og vipp opp nalen fra gulvet. Operatøren må være utstyrt med egnet personlig verneutstyr, som hansker, for å redusere risikoen for skade. Gå frem som følger:



Figur 6

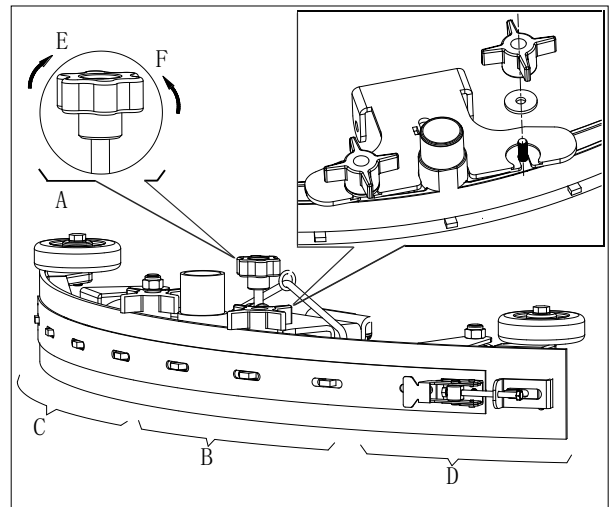
1. Sett inn nøkkelen i nøkkelbryteren (40) og vri den til posisjon "ON".
2. Trykk pedalen (6) fremover med foten for å heve børsteenheten (11) fra gulvet.
3. Vri hastighetsvelgeren (42) hele veien mot klokken.
4. Plasser børste (A, Figur 5) eller pad (B, Figur 5) midt på linje med børstedekket.
5. Trykk pedalen (6) bakover med foten for å senke børsteenheten (11). Sitt på setet, trykk på børsteknappen (39) og trykk ned pedalen (23) delvis, slik at børste/pad settes automatisk på plass. Gjenta disse trinnene til børste/pad er montert.
6. Hvis børste/pad ikke kan monteres som beskrevet i trinn 5, kan du ta senke børste/pad manuelt.
7. Trykk pedalen (6) fremover med foten for å heve børsteenheten (11) fra gulvet, trykk på børstefrigjøringsknappen (41) for å frigjøre den automatisk.

**FORSIKTIG!**

Drei hastighetsvelgeren (42) til laveste hastighet før gasspedalen (6) trykkes ned, for å unngå at maskinen kjører for fort når den startes. Sjekk at børste/pad er riktig montert før maskinen tas i bruk.

JUSTERING AV VINKEL PÅ NAL

1. Monter nalen (13) og skru til nalskruen (20), og koble sugeslangen (19) til nalen.
2. Juster nalen med naljusteringsskruen (A, Figur 7).
 - a) Hvis det er et gap mellom gulvet og den midtre delen av den bakre nalen (B), juster skruen (A) mot klokken (F) til hele den bakre nalen er i god kontakt med gulvet, og slik at den fremre nalen så vidt berører gulvet.
 - b) Hvis det er et gap mellom gulvet og begge endene av den bakre nalen (C og D), juster skruen (A) med klokken (E) til hele den bakre nalen er i god kontakt med gulvet, og slik at den fremre nalen så vidt berører gulvet.



Figur 7

FYLLING AV VASKELØSNINGSTANK

1. Åpne lokket på vanninnløpet (E, Figur 8).
2. Fyll på vann eller vaskemiddel som er egnet for arbeidet, via vanninnløpet med filter. Temperaturen på vaskeløsningen må ikke overskride +104°F (+40°C).
3. Ikke overfyll tanken, sjekk vannivåindikatoren (G) for å se vannmengden.

**ADVARSEL!**

Bruk bare lavtskummende og ikke-brennbare rengjøringsmidler som er beregnet for gulvrengjøringsmaskiner.

Sjekk av drivmotor

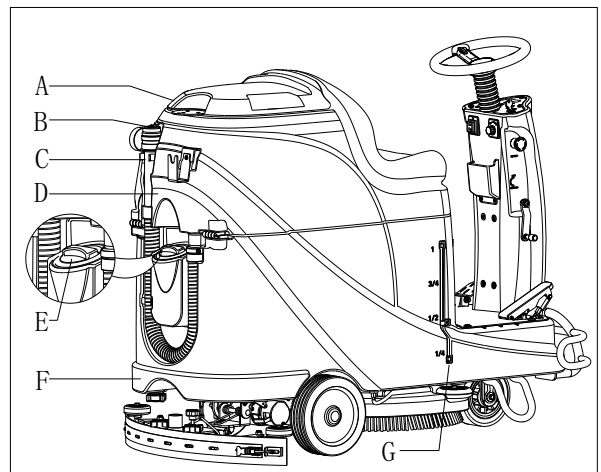
1. Vri nøkkelbryteren (A, Figur 9) til posisjon "ON".
2. Trykk delvis ned gasspedalen (C) og slipp den for å sjekke om maskinen kan kjøres og stoppes.
3. Sjekk at maskinen kan stoppes umiddelbart ved å trykke inn nødstopknappen (B). Vri nødstopknappen for å tilbake stille den.

**FORSIKTIG**

Stigningsvinkelen på maskinen må ikke overskride 10%.

**FORSIKTIG**

Drivmotorbremsen er frigjort når motoren går som normalt, og aktiveres når motoren stopper.



Figur 8

- Brems frigjort - bremsehendel (D, Figur 9) plassert i øvre stilling
- Brems låst - bremsehendel plassert i nedre stilling
I enkelte tilfeller, som ved innpakning/utpakking av maskin, maskinfeil, etc., må maskinen flyttes uten motorkraft, og da må bremsen manuelt settes i frigjort stilling for å flytte den.
For å unngå farlige situasjoner, sørg for å sette bremsen tilbake i låst stilling når maskinen er parkert.

START OG STOPP AV MASKINEN

Starte maskinen

1. Klargjør maskinen som beskrevet tidligere.
2. Sitt på setet (L, Figur 10), sett inn nøkkelen i nøkkelbryteren (A) og vri den til posisjon "ON". Hvis den grønne lampen (C) lyser, er batteriene fulladet og klar til bruk. Hvis den gule lampen (E) eller den røde lampen (D) lyser, må batteriene lades før bruk. [Se VEDLIKEHOLD for batterilading]
3. Senk nalen til gulvet.



MERK

Påse at nalen er hevet før maskinen kjøres bakover, ellers vil maskinen stoppe og LED-displayet viser en feilmelding.

4. Senk børsten til gulvet.



MERK

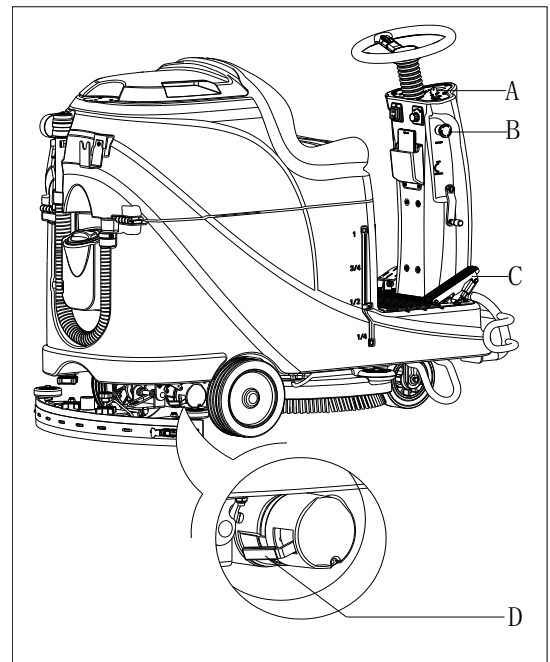
Sørg for å slå av børsten med børsteknappen før børsten heves, og hev børsteenheten før maskinen kjøres forover eller bakover.

5. Trykk børsteknappen (B).
6. Trykk ned gasspedalen (R), kjør maskinen forover eller bakover og manøvrer med rattet (N) sammen med forover/bakoverknappen (H). Tilpass hastigheten med hastighetsvelgeren (I).
7. Juster vannmengden med knappen for justering av vaskeløsningsvolum (G) etter behov.
8. USB-uttaket (M) kan brukes til å lade telefon eller nettbrett når nøkkelbryteren (A) står til "ON".
9. Trykk på hornknappen (F) for å gjøre andre oppmerksom når det er nødvendig.
10. Trykk inn nødstopknappen for å stoppe maskinen dersom det er nødvendig.

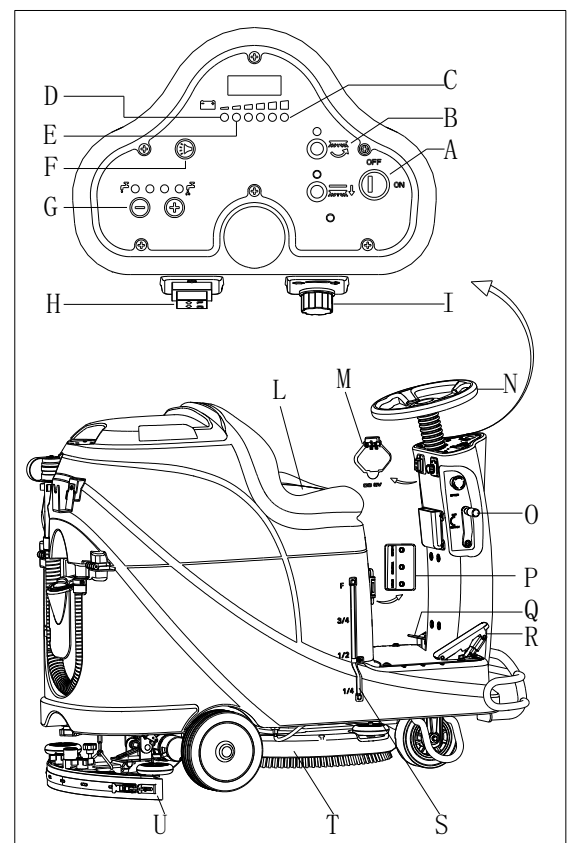


MERK

Børstemotor, sugemotor, drivmotor og styrekrets er beskyttet av et overbelastningsvern (P). Dersom overbelastningsvernet utløses, må det ikke tilbakestilles uten at årsaken er funnet, og sørg for at motoren er avkjølt for det tilbakestilles.



Figur 9



Figur 10

Stoppe maskinen

11. Slipp gasspedalen (R, Figur 10) for å stoppe maskinen.
12. Trykk på børsteknappen (B) for å stoppe børstemotoren.
13. Hev børsten (T) ved å ned på pedalen (Q).
14. Hev nalen (U) med heve/senkspaken (O), og noen sekunder etter stopper sugesystemet.

15. Vri nøkkelen til "OFF".
16. Sjekk at maskinen er stoppet.

MASKINDRIFT (SKURING OG TØR KING)

1. Start maskinen som beskrevet tidligere.
2. Start rengjøringen ved å følge prosedyrene som beskrevet under "Starte maskinen".
3. Stopp eventuelt maskinen og juster nalen i henhold til delen som omhandler nalbalanse.



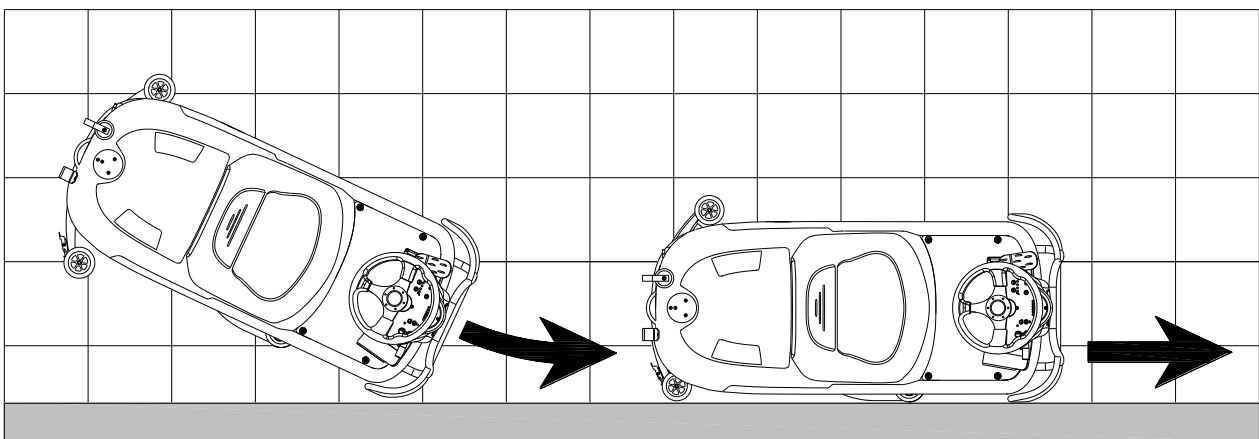
FORSIKTIG!

For å unngå skade på gulvflaten, må børsten/pad-holderen stoppes når maskinen står i ro på ett sted.



MERK

For riktig skuring/tørking av gulvområder i nærheten av veggen, anbefaler vi å kjøre maskinen med høyre side mot veggen (siden med støtfangerhjul), som vist i Figur 11 nedenfor.



Figur 11

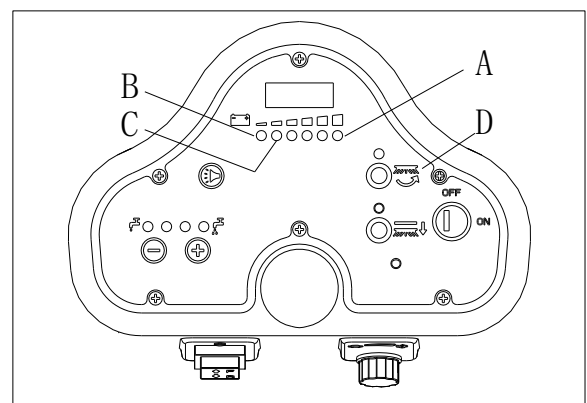
Batterilading

Når lampen lyser grønt (A, Figur 12) har batteriene nok strøm til at maskinen kan fungere som normalt. Når alle de grønne lampene er slukket og den gule lampen (C, Figur 12) lyser, er batteriene for svake, og de må lades opp. Når den røde lampen (B, Figur 12) blinker, er batteriene tomme, og sugemotoren og børstemotoren slås av automatisk med noen sekunders forsinkelse. Maskinen må kjøres til et ladepunkt umiddelbart.



FORSIKTIG!

For å unngå skade på batteriene og en forkortet levetid, må maskinen ikke brukes når batteriene er på minimumsnivå.



Figur 12

TØMMING AV TANK

Et automatisk flottørsystem (B, Figur 13) blokkerer sugesystemet når oppsamlingstanken (C) er full. Deaktivering av sugemotoren indikeres med en plutselig økning i støyet fra sugemotoren, og gulvet har ikke blitt tørket skikkelig.



FORSIKTIG!

Hvis sugemotoren slås av utilsiktet (for eksempel hvis flottøren aktiveres på grunn av en plutselig maskinbevegelse), gjør følgende for å gjenoppta driften: Slå av sugemotoren ved å trykke på bryteren (D, Figur 12), åpne deretter dekselet (A, Figur 11) og sjekk at flottøren i gitteret (B) har gått ned til væsknivået. Lukk deretter dekselet (A) og slå på sugemotoren med bryteren (D, Figur 12).

Når oppsamlingstanken (C, Figur 13) er full, må den tømmes i henhold til følgende prosedyre.

Tømming av oppsamlingstank

1. Stopp maskinen.
2. Vipp opp børste/pad-holderdekket (H, Figur 12) med pedalen (G).
3. Vipp opp nalen med nalhendelen (H).
4. Kjør maskinen til et sted den kan tømmes.
5. Tøm oppsamlingstanken med slangen (D). Skyll deretter gjennom tanken med rent vann.



FORSIKTIG!

Ved tømming av oppsamlingstanken, må tømmeslangen (A, Figur 14) rulles ut og legges i lav posisjon (B, Figur 14) før lokket på tømmeslangen åpnes. Ikke pek utløpet på tømmeslangen oppover for å tømme vannet vertikalt, for å unngå at operatøren får vannet på seg.

Tømming av vaskeløsnings-/rentvannstank

6. Gjennomfør trinn 1 til 4 under "Tømming av oppsamlingstank".
7. Tøm vaskeløsningsstanken via utløpet (A, Figur 15). Skyll tanken med rent vann når arbeidet er ferdig.

ETTER BRUK AV MASKINEN

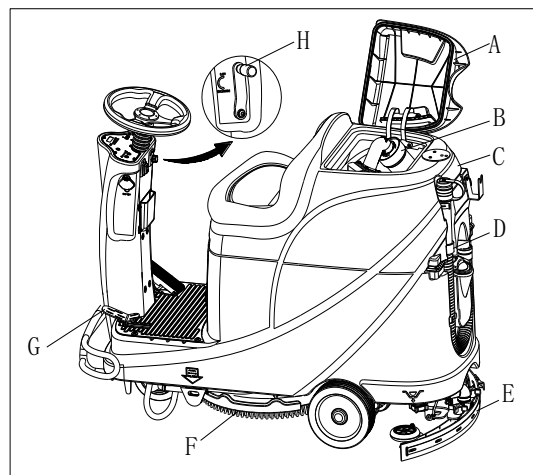
Etter arbeidet er ferdig, før du forlater maskinen:

1. Fjern børste/pad-holder.
2. Tøm tankene (B og C, Figur 15), som vist i forrige avsnitt.
3. Gjennomfør daglig vedlikehold (se delen som omhandler vedlikehold).
4. Sett maskinen til lagring på et rent og tørt sted, med børste/pad-holderen og nalen vippet opp eller fjernet.

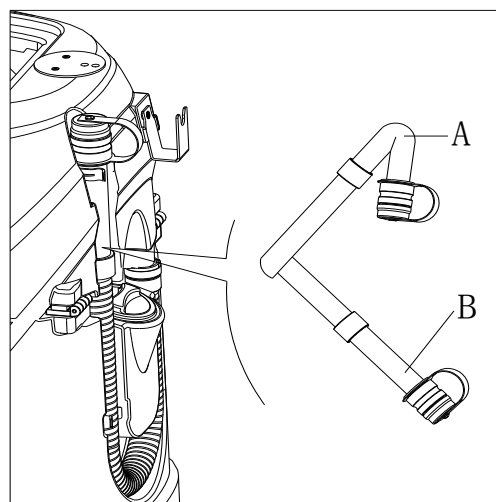
LAGRING OVER LANG TID

Hvis maskinen ikke skal brukes på 30 dager eller mer, gjør følgende:

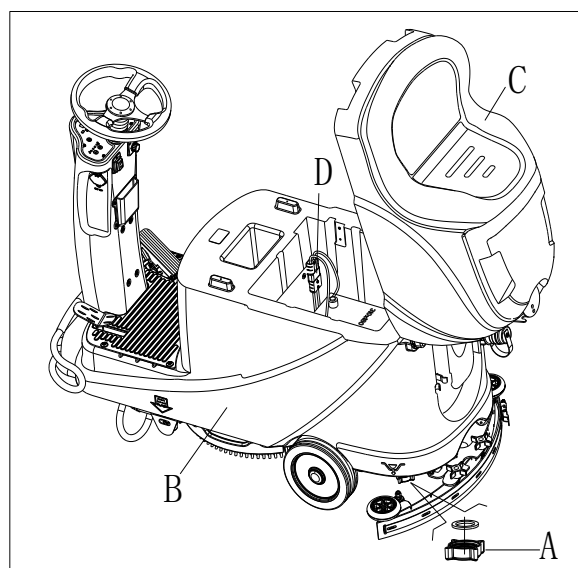
1. Gjennomfør trinnene som beskrevet under "Etter bruk av maskinen".
2. Koble fra batterikontakten (D, Figur 15).



Figur 13



Figur 14



Figur 15

FØRSTEGANGS BRUK

Etter de første 9 driftstimene, må du sjekke om det har oppstått skader eller det er noe som er unormalt, som løse fester eller braketter.

VEDLIKEHOLD



ADVARSEL!

Vedlikehold må utføres etter at maskinen er slått av og ladekabelen for batteriet er koblet fra. I tillegg må du lese nøye gjennom sikkerhetsinstruksene i håndboken.

Alle planlagte eller ekstraordinære vedlikeholdsprosedyrer må utføres av kvalifisert personell eller et autorisert servicesenter. Denne håndboken beskriver kun de generelle og vanlige vedlikeholdsprosedyrene.

For andre vedlikeholdsprosedyrer som ikke er beskrevet i vedlikeholdsplanen, henvises det til servicehåndboken som kan fås hos våre servicesentre.

VEDLIKEHOLDSPLAN



ADVARSEL!

Prosedyren som er merket med (1) må utføres når maskinen har vært brukt i 9 timer for første gang. Prosedyrene som er merket med (2) gjøres av et servicesenter som er godkjent av oss.

Prosedyre	Daglig, etter hver bruk	Ukentlig	Halvårlig	Årlig
Batterilading				
Rengjøring av nal				
Rengjøring av børste/pad-holder				
Tankrengjøring				
Sjekk av tetningslist på tank				
Rengjøring av flottørfilter				
Sjekk og skift av nal				
Rengjøring av rentvannsfiler				
Rengjøring av sugefilter				
Sjekk av væskenivå på våtbatteri				
Sjekk av stramheten på skruer og mutre			(1)	
Sjekk/utskifting av kullbørste for børste/pad-holder				(2)
Sjekk/utskifting av kullbørste for sugemotor				(2)
Sjekk eller skift ut kullbørstene på drivmotoren (kun for maskiner med fremdrift)				(2)
Påfør smørelje på roterende deler.			(1)	

BATTERILADING



MERK

Batteriene må lades når den gule lampen (32) eller røde lampen (33) lyser, eller etter hver arbeidssyklus.



FORSIKTIG

Hvis batteriene til enhver tid holdes fullt oppladet, kan det forlenge levetiden på dem.



FORSIKTIG

Lad batteriet så snart som mulig dersom batterinivået er lavt, ellers kan levetiden på batteriene reduseres. Det beste er å sjekke batteriet minst én gang i uken.

**FORSIKTIG!**

Utvís forsiktighet ved lading av batteriene, da det kan lekke ut batterisyre i løpet av ladeprosessen.

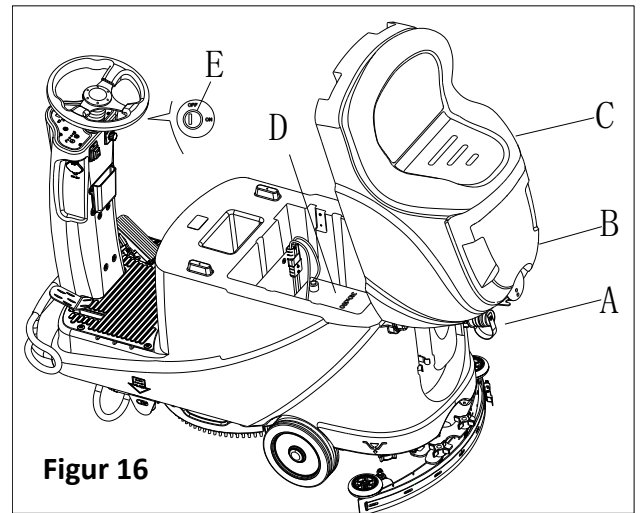
Batterisyre er etsende, og hvis den kommer i kontakt med hud eller øyne, må du straks skylle med store mengder rent vann og oppsøke lege.

Lading av batteriene

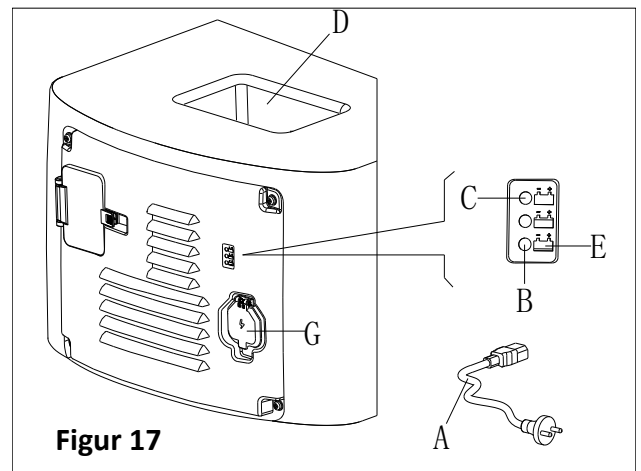
1. Åpne lokket på oppsamlingstanken (B, Figur 16) og sjekk at oppsamlingstanken (C) er tom, hvis ikke tøm den med tømme-slangen (A).
2. Kjør maskinen til ladepunktet.
3. Vri nøkkelen til "OFF".
4. Dette trinnet gjelder kun for våtbatterier:
 - Rengjør batteriet utvendig etter behov.
 - Sjekk elektrolyttnivået på batteriene (D), og om nødvendig ta av lokket og etterfyll elektrolytt, og sett deretter på plass lokket.
 - La dekslet være åpent under ladingen.
5. Velg lademodus i henhold til type batterilader.

Bruk av integrert lader for batterilading

6. Koble ladekabelen (A, Figur 17) til et strømuttak (G). Deretter vil alle maskinfunksjoner bortsett lading kobles ut automatisk. Den røde lampen (B) indikerer at maskinen står til lading.
7. Batteriene er fulladet når den grønne lampen (C) begynner å lyse.
8. Koble ladekabelen fra strømuttaket når ladingen er ferdig, og legg deretter ladekabelen i oppbevaringsboksen (D).



Figur 16



Figur 17

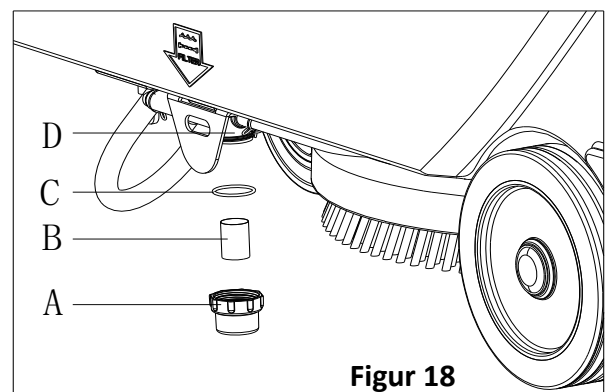
**MERK**

For ytterligere informasjon om integrert lader (E, Figur 17), henvises det til relevant dokumentasjon fra servicesenteret.

RENGJØRING AV BØRSTE/PAD**FORSIKTIG!**

Det anbefales å bruke hansker ved rengjøring av børsten eller pad-holderen, da det kan være skarpe fragmenter til stede.

1. Ta børsten/pad-holderen i henhold til fremgangsmåten som er beskrevet tidligere.
2. Rengjør børsten/pad-holderen med vann og rengjøringsmiddel.
3. Sjekk børsten for slitasje og skader, skift den ut om nødvendig.
4. Sjekk pad-en for slitasje, skift den ut om nødvendig.



Figur 18

RENGJØRING AV VASKELØSNINGSFILTER

1. Sett maskinen på flat bakke.
2. Påse at maskinen er slått av.
3. Tøm vaskeløsningsstanken (valgfritt).
4. Ta ned filterdekselet (A, Figur 18) for å rengjøre filtersilen (B), og sett det deretter tilbake i filterholderen (D).



MERK

Filtersilen (B) må være riktig plassert i huset på holderen (D).

RENGJØRING AV NAL



MERK

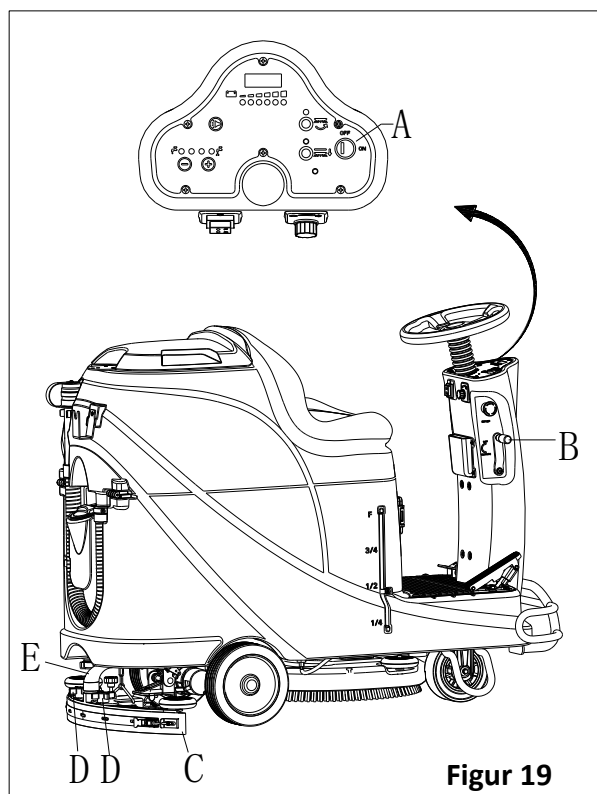
Nalen må være ren, og nalbladene må være i god stand for å kunne gi et godt resultat.



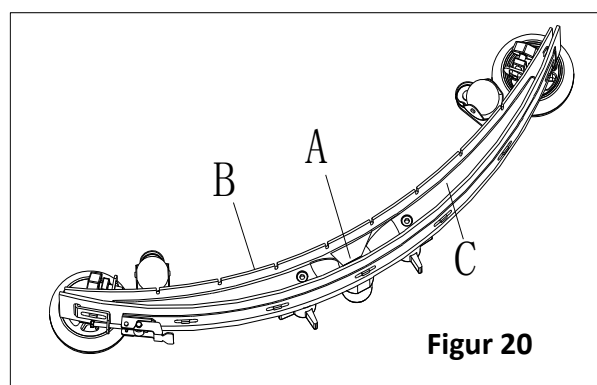
FORSIKTIG

Det anbefales å bruke vernehansker ved rengjøring av nalen, da det kan være skarpe gjenstander i den.

1. Plasser maskinen på et plant gulv.
2. Vri nøkkelbryteren (A, Figur 19) til posisjon "OFF".
3. Senk nalen (B) med nalhendelen (C).
4. Løsne knottene (D) og fjern nalen.
5. Koble sugeslangen (E) fra nalen.
6. Rengjør stål- eller aluminiumsnalen, spesielt åpningen (A, Figur 20) og hullene (B). Sjekk for kutt eller rifter på fremre blad (B) og bakre blad (C), og skift dem eventuelt ut i henhold til prosedyren som beskrevet nedenfor.
7. Sett på plass nalen i motsatt rekkefølge enn da den ble tatt av.



Figur 19



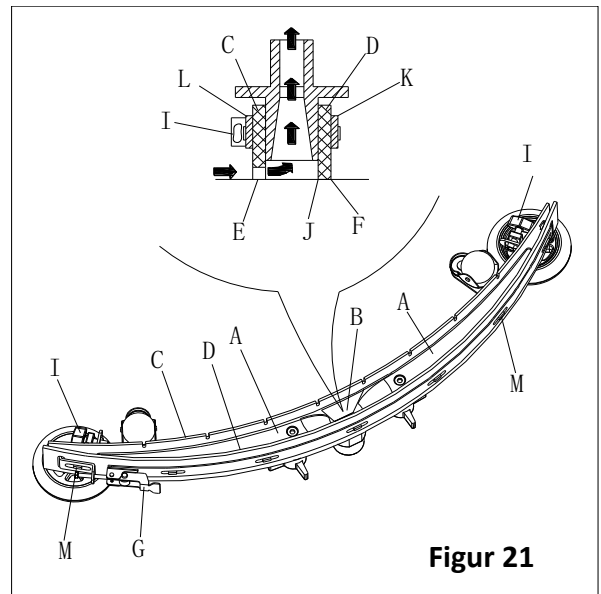
Figur 20

SJEKK OG SKIFT AV NAL

1. Rengjør stål- eller aluminiumsnalen, som vist i forrige avsnitt.
2. Sjekk at kantene (E, Figur 21) på det fremre nalbladet (C) og kantene (F) på det bakre nalbladet (D) befinner seg på samme nivå langs hele lengden, juster eventuelt høyden som følger:
 - Ta av strekkstangen (G), løsne festene (M) og juster det bakre nalbladet (D), og stram deretter festene (M) og sett på plass strekkstangen (G).
 - Løsne knottene (I) og juster det fremre nalbladet (C), og stram til knottene igjen.
3. Sjekk det fremre nalbladet (C) og det bakre nalbladet (D) for helhet, kutt og rifter, skift ut etter behov som beskrevet nedenfor. Sjekk om det fremre hjørnet (J) på det bakre nalbladet (D) er slitt, hvis det er slitt kan nalbladet monteres opp/ned. Hvis hjørnene er slitt på den andre siden også, må nalbladet skiftes ut som følger:
 - Ta av strekkstangen (G), løsne festene (M) og ta av klemmeskinnen (K), og skift/snu det bakre nalbladet (D). Sett på plass nalbladet i motsatt rekkefølge enn da det ble tatt av.
 - Løsne knottene (I) og fjern klemmeskinnen (L), skift/snu deretter det fremre nalbladet (C). Sett på plass nalbladet i motsatt rekkefølge enn da det ble tatt av. Etter at nalbladet er skiftet (eller snudd), juster høyden som beskrevet tidligere.
4. Koble sugeslangen (A, Figur 22) til nalen.
5. Monter nalen (B) og skru til knottene (C).
6. Juster nalbalansen etter behov med justeringsskruen (D).

RENGJØRING AV TANK OG SUGEFILTER MED FLOTTØR OG SJEKK AV TETNING PÅ DEKSELET

1. Plasser maskinen på et plant gulv.
2. Påse at maskinen er slått av og at tenningsnøkkelen (40) er fjernet.
3. Skru lokket på oppsamlingstanken (A, Figur 23) 90 grader slik at det kan tas av tanken, og ta deretter ut flottørfilteret (P) fra tanken.
4. Rengjør lokket for oppsamlingstanken (A), oppsamlingstanken (B), vanntanken (C) og flottørfilterholderen (E). Tøm oppsamlingstanken med avløpslangen (15).
5. Se symbolene "OPEN" og "CLOSE" som vist i Figur 23 for å åpne bunndekselet (F) på flottørfilteret, og rengjør deretter flottørkulen (D), filterholderen (E) og filtersvampen (I). Etter rengjøring settes flottørkulen (D) inn i filterholderen (E), og innrett deretter sporet (L) på bunndekselet (F) for flottørfilteret med sporet (L) på flottørfilterholderen (E). Skru på bunndekselet for flottørfilteret og stram det godt til, og sett filtersvampen (I) på flottørfilterholderen (E). Til slutt kobles det til sugeslangen (M).
6. Sjekk tetningslisten på tanken for skader.



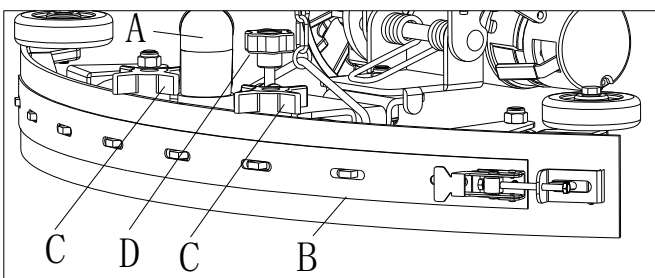
Figur 21



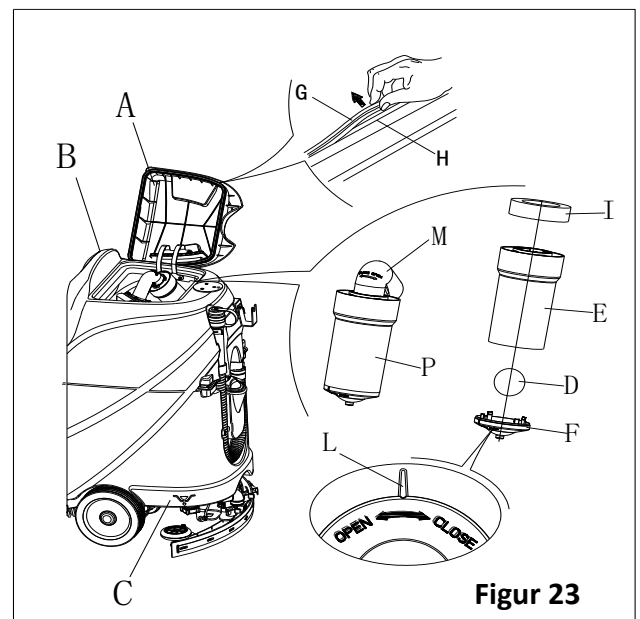
MERK

Tetningslisten på tanken (G) er med på å danne vakuum i tanken når sugemotoren er i gang. Tanken må være tett for at den effektivt kan suge opp vann fra gulvet og til oppsamlingstanken.

7. Sjekk om kontaktflaten på tetningslisten (G) er hel og at den tetter skikkelig. Tetningslisten kan eventuelt tas ut av sporet (H) og skiftes. Monter ny tetningslist som vist i Figur 23, skjøten skal ligge bak i midten.
8. Lukk lokket på oppsamlingstanken (A).



Figur 22



Figur 23

SJEKKE/SKIFTE SIKRINGER

1. Vri nøkkelbryteren (D, Figur 24) til posisjon "OFF".
2. Koble fra batterikabelen.
3. Skru ut skruene (C) på betjeningspanelet og vipp opp kretskortet for å få tilgang til sikringen (A og B).
4. Sjekk/skift ut sikringer:
 - A) F1 er sikring for svakstrømskrets (5A)
 - B) F3 er sikring for børstefrigjøring (20A)
5. Etter sjekk/utskifting, sett på plass betjeningspanelet i motsatt rekkefølge.
6. Sjekk eller tilbakestill overbelastningsvernet for motoren.
 - E) F5 er overbelastningsvern for sugemotor (30A)
 - F) F4 er overbelastningsvern for drivmotor (30A)
 - G) F2 er overbelastningsvern for børstemotor (30A)

TILBEHØR/EKSTRAUTSTYR

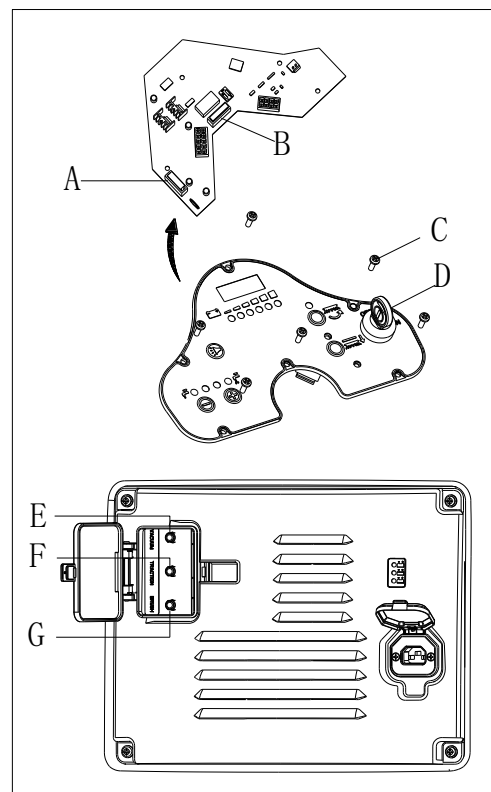
I tillegg til standardkomponentene, kan maskinen utstyres med følgende tilbehør/ekstrautstyr, i henhold til spesifikk bruk av maskinen.

For ytterligere informasjon om tilbehør/ekstrautstyr, ta kontakt med en autorisert forhandler.

Tilbehør/Ekstrautstyr

Se "Deleliste"

1. GEL/AGM-batterier.
2. Pads av forskjellige materialer



Figur 24

FEILSØKING

Problem	Mulig årsak	Løsning
Motorene fungerer ikke, ingen lamper lyser (C9)	Batterikontakten er frakoblet	Koble til batterikontakten
	Batteriene er helt utladet	Lad opp batteriene
Maskinen fungerer ikke, den røde batterilampen lyser (C8)	Batterinivået er for lavt	Lad opp batteriene
Maskinen går ikke forover/bakover	Feil på styrekretskortet	Skift ut styrekretskortet
	Feil på drivmotorkontroller	Se "FEILINDIKATORER FOR DRIVMOTOR"
	Operatøren sitter ikke på setet	Sett deg på setet
	Nalen er ikke hevet når maskinen går bakover	Hev nalen
Børstemotoren virker ikke	Feil på styrekretskortet	Skift ut styrekretskortet
	Overbelastning av børstemotor	Bruk myk børste som er egnet for rengjøring, og tilbakestill overbelastningsvernet
	Feil på børstemotorkontakten	Ta kontakt med kundeservice
	Kullbørste i børstemotor er utslitt	Ta kontakt med kundeservice
	Hindringer som hindrer børsten fra å rotere	Rengjør børsten
Drivmotoren virker ikke	Lampe for problem med drivmotor lyser	Se "FEILINDIKATORER FOR DRIVMOTOR"
	Drivmotoren er overbelastet	Tilbakestill overbelastningsvern for drivmotor og sjekk drivmotor/krets
Sugemotoren virker ikke	Sugemotor er overbelastet	Tilbakestill overbelastningsvern for sugemotoren og sjekk den
	Feil på sugemotorrelé	Ta kontakt med kundeservice
	Feil på styrekretskort	Skift styrekretskort

Lav sugekraft, gulvet kan ikke tørkes	Oppsamlingstanken er full	Tøm oppsamlingstanken
	Dårlig tilkobling på tømme-slange og nal	Koble godt til tømme-slange og nal
	Blokkering i flottørfilter	Rengjør flottørfilteret og sjekk plassering av flottørkulen
	Nalen er tilsmusset eller utslitt	Sjekk og rengjør nalen
	Lokket på oppsamlingstanken er ikke skikkelig lukket, eller pakningen er skadet, eller vinkelrøret er tett	Lukk lokket skikkelig, eller skift pakning, eller rengjør vinkelrøret.
	Oppsamlingstanken er tilsmusset	Rengjør oppsamlingstanken
Ikke nok vaskeløsning på børsteplaten.	Vaskeløsningsfilteret er tilsmusset.	Rengjør filteret
	Indikator for tom vaskeløsningstank lyser.	Fyll vaskeløsningstanken.
	Vaskeløsningstanken er for tilsmusset.	Rengjør vaskeløsningstanken.
Nalen etterlater seg merker på gulvet	Det er smuss under nalbladene	Fjern smusset
	Nalen er utslitt, sprukket, eller morken	Skift nalbladene
	Nalbalansen er ikke justert	Juster nalbalansen
Feil i drivmotorbrems	Bremsen er låst	Frigjør bremsen

FEILINDIKATORER FOR DRIVMOTOR

LED-KODER		FEIL	MULIG ÅRSAK
1.1	○○○	TERMISK FEIL	1. Temperatur >80°C eller < -10°C. 2. For høy last på maskinen. 3. Bruk i ekstreme miljøer. 4. Elektromagnetisk brems frigjøres ikke.
1.2	○○○○	FEIL PÅ GASSPEDAL	1. Brudd eller kortslutning i gasspedalledning. 2. Defekt gasspotensiometer. 3. Feil gasstype er valgt.
1.3	○○○○○	FEIL PÅ GASSPOTENSIOMETER	1. Kortslutning eller brudd i ledning til hastighetsvelger. 2. Defekt potensiometer for hastighetsbegrenser.
1.4	○○○○○○	UNDERSPENNING	1. Batterispenning < 17V. 2. Dårlig forbindelse på batteri eller kontroller.
1.5	○○○○○○○	OVERSPENNING	1. Batterispenning < 31V. 2. Maskinen brukes med laderen tilkoblet. 3. Ustabil batteriforbindelse.
2.1	○○○○	HOVEDKONT. AV FEIL	1. Hovedkontaktordriver kunne ikke åpnes.
2.3	○○○○○○	HOVEDKONT. FEIL *	1. Hovedkontaktor sammensmeltet eller låst i åpen stilling. 2. Feil på hovedkontaktordriver.
2.4	○○○○○○○	HOVEDKONT. PÅ FEIL	1. Hovedkontaktordriver kunne ikke lukkes.
3.1	○○○○○	LEDNINGSFEIL *	1. Feiljustert gass. 2. Defekt gasspotensiometer eller gassmekanisme.
3.2	○○○○○○	BREMS PÅ FEIL	1. Elektromagnetisk bremsedriver kortsluttet. 2. Elektromagnetisk bremsespole åpen.
3.3	○○○○○○○	FORLADINGSFEIL *	1. Bremsedriver kortsluttet. 2. Defekt forladekrets. 3. MOSFET-feil.
3.4	○○○○○○○○	BREMS AV FEIL	1. Elektromagnetisk bremsedriver åpen. 2. Elektromagnetisk bremsespole kortsluttet.
3.5	○○○○○○○○○	HPD-FEIL	1. Feil sekvens av gass og KSI, skyve- eller sperreinn ganger. 2. Feiljustert gasspotensiometer.
4.1	○○○○○○	STRØMDETEKSJONSFEIL *	1. Kortslutning i motor eller motorledningsnett. 2. Kontrollerfeil.

4.2	□□□□□□	MASKINVARE FEILSIKKER *	1. Motorspenning samsvarer ikke med gassforespørsel. 2. Kortslutning i motor eller motorledningsnett. 3. Kontrollerfeil.
4.3	□□□□□□□	FEIL EEPROM-SJEKKSUM †	1. Feil på EEPROM.
4.5	□□□□□□□□□	BATTERIFRAKOBLINGSFEIL *	1. Batteriet er ikke tilkoblet. 2. Dårlig forbindelse til batteripolene.

* = Vri nøkkelbryter av/på for å fjerne feilmeldingen.

† = Feilmeldingen må fjernes via menyen: Velg Program-menyen, endre dataverdi på en parameter, vri av/på nøkkelbryteren.



MERK

Maskiner som er utstyrt med innebygd lader vil ikke virke dersom det oppstår feil på den innebygde laderen. Ta kontakt med vår kundeservice for å få hjelp.

DESTRUERING

Maskinen må destrueres på en godkjent avfallsstasjon.

Før maskinen destrueres, må nedennevnte deler demonteres, sorteres og destrueres i henhold til gjeldende lover og forskrifter.

- Batteri
- Børste/pad-holder
- Plastslange og plastdeler
- Elektriske og elektroniske komponenter (*)

(*) Ta kontakt med et av våre servicesentre for destruering av elektriske og elektroniske komponenter.

INNEHÅLLSFÖRTECKNING

INLEDNING.....	148
HANDBOKENS INNEHÅLL OCH SYFTE.....	148
FÖRVARING AV HANDBOKEN	148
FÖRSÄKRAN OM ÖVERENSSTÄMMELSE	148
TILLBEHÖR OCH UNDERHÅLL.....	148
FÖRÄNDRING OCH FÖRBÄTTRING.....	148
ANVÄNDNINGSSOMRÅDEN.....	148
MASKINENS IDENTIFIKATIONSUPPGIFTER.....	148
TRANSPORT OCH UPPACKNING.....	148
SÄKERHET	149
SYMBOLER SOM VISAS I BRUKSANVISNINGEN	149
ALLMÄNNA SÄKERHETSANVISNINGAR	149
MASKINBESKRIVNING	151
MASKINSTRUKTUR.....	151
KONTROLLPANEL	152
LED-SKÄRM DISPLAY INFORMATION	152
SKÄRM FÖR LADDARENS INDIKATORLAMPOR.....	152
TEKNISKA PARAMETRAR.....	153
KRETSSCHEMA	154
BRUKSANVISNING.....	156
INSTALLATION OCH INSTÄLLNING AV NYTT MASKINBATTERI	156
BATTERI INSTALLATION OCH INSTÄLLNING AV BATTERITYP (WET ELLER GEL/AGM)	156
NÖDBROMSNING.....	157
BORST/DYNA INSTALLATION OCH AVINSTALLATION	157
JUSTERA BALANSEN PÅ GUMMISKRAPAN.....	158
VÄTSKETANKFYLLNING	158
MASKIN START OCH STOPP	159
MASKINDRIFT (SKURA OCH TORKA)	160
TÖMMA BEHÅLLAREN	161
EFTER ATT HA ANVÄNT MASKINEN	161
LÅNG INAKTIVITET AV MASKIN.....	161
ANVÄNDNING FÖRSTA GÅNGEN	162
UNDERHÅLL	162
TABELL ÖVER PLANERAT UNDERHÅLL	162
BATTERILADDNING	162
RENGÖRING AV BORSTE/DYNA	163
VÄTSKEFILTER RENGÖRING	164
RENGÖRING AV GUMMISKRAPA	164
KONTROLL OCH UTBYTE AV GUMMISKRAPANS BLAD.....	164
RENGÖRING AV BEHÅLLARE OCH VAKUUMNÄT MED FLOTTÖR OCH KONTROLL AV LOCKPACKNING.....	165
SÄKRING KONTROLL/BYTE	166
TILLSATSER/TILLBEHÖR.....	166
FELSÖKNING	166
SKROTNING.....	168

INLEDNING



OBS!

Siffrorna inom parentes hänvisar till de komponenter som visas i avsnittet Maskinbeskrivning.

HANDBOKENS INNEHÅLL OCH SYFTE

Syftet med den här bruksanvisningen är att ge operatören nödvändig information för att använda maskinen på ett korrekt och säkert sätt. Den innehåller information om tekniska data, säkerhet, drift, lagring, underhåll, reservdelar och hur man skrotar den.

Innan maskinen används, måste operatörer och kvalificerade tekniker läsa den här bruksanvisningen noga. Kontakta vårt servicecenter om du har frågor om denna bruksanvisning eller om du behöver ytterligare information.

Operatörerna får inte utföra åtgärder som bör göras av kvalificerade tekniker. Vårt företag kommer inte att ansvara för skador p.g.a. icke-efterlevnad av detta förbud.

FÖRVARING AV HANDBOKEN

Handboken måste förvaras i närheten av maskinen, i en lämplig låda på avstånd från vätskor och andra ämnen som kan orsaka skador på den.

FÖRSÄKRAN OM ÖVERENSSTÄMMELSE

Försäkran om överensstämmelse levereras tillsammans med maskinen och intygar att maskin överensstämmer med gällande lag.



OBS!

Kopior av den ursprungliga försäkran om överensstämmelse tillhandahålls tillsammans med maskinens dokumentation.

TILLBEHÖR OCH UNDERHÅLL

Drift, underhåll och reparation måste utföras av kvalificerad personal eller av ett servicecenter som utsetts av vårt företag. ENDAST godkända reservdelar och tillbehör bör användas.

Kontakta vårt företags kundtjänst för tjänster eller köp av tillbehör eller reservdelar.

FÖRÄNDRING OCH FÖRBÄTTRING

Vi åtar oss att ständigt förbättra våra produkter, och vi förbehåller oss rätten att förändra och förbättra maskinen utan föregående meddelande.

ANVÄNDNINGSSOMRÅDEN

Skurmaskinen är för kommersiellt och industriellt bruk. Den är lämplig för rengöring av plana och fasta golv, manövrerad av kvalificerad personal i säkra förhållanden. Den är inte lämplig för utomhusbruk, mattrengöring eller rengöring av grova golv.

MASKINENS IDENTIFIKATIONSUPPGIFTER

Maskinens serienummer och modellnamn anges på serienummerskylten.

Denna information är användbar. Använd följande tabell för att skriva ner maskinens identifieringsuppgifter vid förfrågan av reservdelar för maskinen.

MASKINMODELL.....
MASKINENS SERIENUMMER.....

TRANSPORT OCH UPPACKNING

När transportören levererar maskinen, se till att både förpackningar och maskinen är hela och utan skador. Vid eventuella skador, informera transportören om skadornas omfattning och innan du accepterar varorna, kräv ersättning för skadan.

Följ noggrant instruktionerna på förpackningen vid uppackning av maskinen.

Kontrollera förpackningen för att se till att följande artiklar ingår:

1. Teknisk dokumentation inklusive bruksanvisning, och bruksanvisning för inbyggd laddare om inbyggd laddare finns.
2. Laddningsladd om inbyggd laddare finns.

SÄKERHET

Följande symboler anger potentiellt farliga situationer. Läs alltid informationen noggrant och vidta alla nödvändiga försiktighetsåtgärder för att skydda personer och egendom.

SYMBOLER SOM VISAS I BRUKSANVISNINGEN



FARA!

Anger en farlig situation med risk för dödsfall för operatören.



VARNING!

Anger en potentiell risk för personskada.



FÖRSIKTIGHET!

Anger en varning eller en anmärkning i samband med viktiga eller användbara funktioner. Var uppmärksam på de punkter som är markerade med denna symbol.



OBS!

Anger en anmärkning i samband med viktiga eller användbara funktioner.



RÅD

Anger att man bör läsa anvisningen i användarhandboken innan man utför några åtgärder.

ALLMÄNNA SÄKERHETSANVISNINGAR

Särskilda varningar och försiktighetsåtgärder för att informera om eventuella skador på människor och maskin visas nedan.



FARA!

- Denna maskin måste användas av utbildad och auktoriserad personal med vägledning av handboken.
- Innan du utför rengöring, underhåll, reparation eller utbyte, läs alla instruktionerna noga, se till att **SLÅ AV** maskinen och koppla ur batteriet.
- Använd inte maskinen i närheten av giftiga, farliga, brandfarliga och/eller explosiva pulver, vätska eller ånga. Denna maskin är inte lämplig för uppsugning av farligt pulver.
- Bär inte smycken när du arbetar nära elektriska komponenter.
- Arbeta inte under upplyft maskin utan att stödja den med säkerhetsstöd.
- När du använder blybatterier (WET), så kan de släppa ut lättantändlig gas vid normal användning. Håll gnistor, flammor, rökvaror och strålände, lysande och brinnande föremål på avstånd från batterierna.
- När du laddar blybatterier (WET), kan de avge vätgas som kan orsaka en explosion. Se till att laddningsmiljön är väl ventilerad och på avstånd från öppen eld.

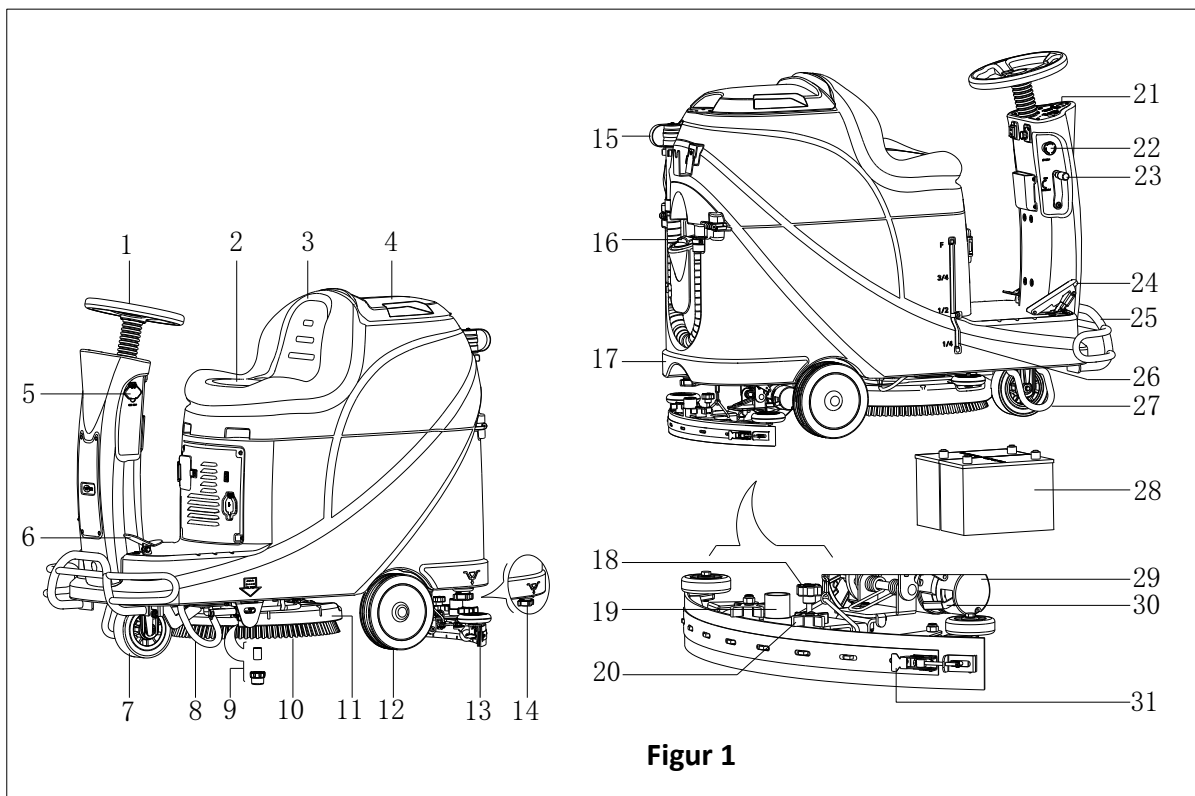


VARNING!

- Kontrollera maskinen noggrant före varje användning. Kontrollera att alla komponenter är ordentligt monterade före användning. Annars kan de orsaka skador på människor och egendom.
- Innan du använder batteriladdaren, kontrollera att frekvensvärdena och spänningsvärdena som anges på maskinens märkskylt stämmer överens med dem för elnätet.
- Flytta aldrig maskinen genom att dra den i batteriladdarkabeln. Om kabeln ligger i en dörröppning stäng inte dörren eller vira den runt vassa kanter eller hörn. Kör inte maskinen över batteriladdarkabeln. Håll batteriladdarkabeln på avstånd från varma ytor.
Ladda inte batterierna om batteriladdarkabeln eller kontakten är skadade.
- För att minska risken för brand, elektriska stötar eller skada, se till att maskinen är avstängd när den inte används.
- Använd eller förvara maskinen inomhus i torra förhållanden. Den bör inte användas för utomhusbruk.
- Maskinens förvarings- och arbetstemperatur måste vara mellan 0 °C och + 40 °C, luftfuktigheten måste vara mellan 30 % och 95 %.
- Använd inte maskinen på sluttande underlag med en lutning som överskrider den som anges i specifikationen.
- Vid användning och hantering av rengöringsmedel för golvrengöring, följ instruktionerna på flasketiketten och bär lämpliga skyddshandskar och skydd.
- Använd de borstar och dynor som levereras med maskinen eller anges i handboken. Användning av andra borstar eller dynor kan minska säkerheten.
- Vid maskinfel, kontrollera att det inte beror på bristande underhåll. Vid behov, begär hjälp från auktoriserad personal eller från ett auktoriserat servicecenter.
- Vidta alla nödvändiga försiktighetsåtgärder för att förhindra att hår, smycken och löst sittande kläder inte fastnar i maskinen rörliga delar.
- Använd inte maskinen i mycket dammiga miljöer.
Tvätta inte maskinen med direkt eller högtrycks-vattenstråle eller med frätande ämnen.
- Stöt inte till hyllor eller ställningar, särskilt när det finns risk för fallande föremål.
- Ställ inte vätskebehållare på maskinen, använd burkhållaren.
- För att undvika skador på golvet, låt inte borsten/dynan vara i drift medan maskinen står stilla.
- Vid brand, använd en pulverbrandsläckare. Använd inte flytande brandsläckare.
- Ta inte bort eller ändra maskinens märkning.
- Mixtra inte med maskinens skyddsanordningar och följ vanliga underhållsinstruktioner noggrant.
- Var försiktig om maskinen transporteras när temperaturen är under fryspunkten. Vattnet i återvinningsstanken och i slangarna kan frysa och orsaka allvarlig skada på maskinen.
- Om reservdelar behöver bytas ut, beställ ORIGINALreservdelar från en auktoriserad återförsäljare delete.
- Returnera maskinen till servicecentret om den inte fungerar som den ska eller om den är skadad, har placerats utomhus, tappats i vatten.
- För att säkerställa en korrekt och säker maskindrift, måste det schemalagda underhållet som visas i relevant avsnitt av denna handbok utföras av auktoriserad personal eller en auktoriserad serviceverkstad.
- Maskinen måste skrotas korrekt p.g.a. förekomsten av farliga giftämnen (batterier etc.), som omfattas av standarder och måste återvinnas på särskilda centra (se avsnittet Skrotning).
- Denna maskin bör endast användas som ett rengöringsverktyg, inte för andra ändamål.
- Se alltid till att öppningarna inte innehåller damm, hår och annat främmande material som kan minska luftflödet. Använd inte maskinen om öppningarna är igentäppta.
- Använd maskinen endast om en ordentlig belysning finns.
- Denna maskin är inte avsedd att användas av personer med nedsatt fysisk, sensorisk eller psykisk förmåga, eller bristande erfarenhet och kunskap, såvida de inte har fått handledning eller instruktioner angående användningen av maskinen av en person som ansvarar för deras säkerhet.
- Särskild uppmärksamhet krävs när den används nära barn.
- Barn ska hållas under uppsikt så att de inte leker med maskinen.
- När du använder denna maskin, se till att inte orsaka skador på människor eller föremål.

MASKINBESKRIVNING

MASKINSTRUKTUR (såsom visas i Figur 1)

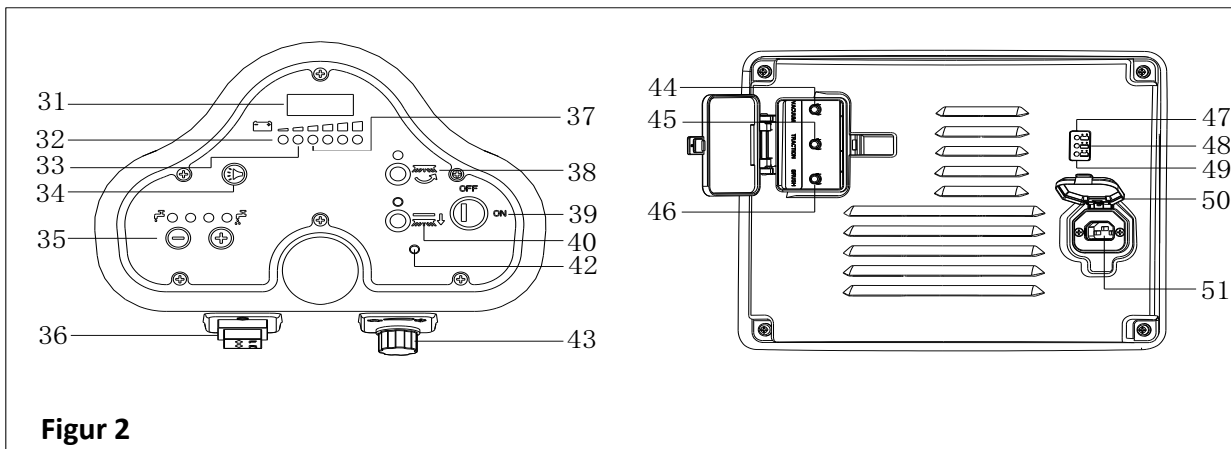


Figur 1

- | | |
|-----------------------------------|----------------------------------|
| 1. Ratt | 17. Vätsketank |
| 2. Sittdyna | 18. Sugskrapans inställningsratt |
| 3. Återvinningstank | 19. Vakuumslang |
| 4. Lock på återvinningstank | 20. Sugskrape-vred |
| 5. USB-laddningsport | 21. Konrollpanel |
| 6. Pedal | 22. Nödstop |
| 7. Framhjul | 23. Sugskrapa lyft/sänk spak |
| 8. Vänster stödfäste | 24. Gaspedal |
| 9. Vätskefilter | 25. Främre stötfångare |
| 10. Borste | 26. Vätske nivåindikator |
| 11. Borsthållare | 27. Höger stödfäste |
| 12. Bakhjul | 28. Batteri |
| 13. Sugskrapa | 29. Drivmotor |
| 14. Vätske utloppsskydd | 30. Bromskloss-fäste |
| 15. Avloppsvatten dräneringsslang | 31. Sugskrapa hasp |
| 16. Vatten inloppsskydd | |

MASKINBESKRIVNING

KONTROLLPANEL (såsom visas i Figur 2)



Figur 2

- | | |
|--|--|
| 31. LED-skärm | 42. Lampa för drivmotor problem |
| 32. Varningslampa urladdat batteri (Röd) | 43. Hastighetsreglering |
| 33. Indikator för halvt urladdat batteri (Gul) | 44. Sugmotor överbelastningsskydd |
| 34. Signalhornsknapp | 45. Drivmotor överbelastningsskydd |
| 35. Vätskevolym justeringsknapp | 46. Borstmotor överbelastningsskydd |
| 36. Framåt-bakåt strömbrytare | 47. Indikator för fulladdat batteri (Grön) |
| 37. Indikator för urladdat batteri (grön) | 48. Indikator för halvaddat batteri (Gul) |
| 38. Borstknapp | 49. Laddningsindikator batteri (Röd) |
| 39. Nyckelströmbrytare | 50. Laddningskontakt lock |
| 40. Borste avlastningsknapp | 51. Laddningskontakt |

LED-SKÄRM VISNINGSPÅGIVNING

STOPP– Maskinen kan inte röra sig, borste slutar att fungera men sugmotorn fungerar

(00012.3) – Maskinens totala antal arbetstimmar är 12.3 timmar

L0-(18) – Batterispänningen lägre än 18V

U-(25.5) – Batterispänningen är 25.5V

ERR-01 – Sugskrapan lyfts inte när maskinen svänger bakåt

SKÄRM FÖR LADDARENS INDIKATORLAMPOR (såsom visas i Figur 2)

1. I början av laddningen, den röda lysdioden (49) på laddaren är normalt tänd. Det är det första laddningsstadiet.
2. Efter att ha laddat några gånger, slocknar den röda (49) på laddaren, en gula LED (48) tänds, den här är det andra laddningsstadiet.
3. När laddningen är klar, slocknar den gula LED (48), den gröna LED (47) tänds för att indikera att batteriet är fulladdat.



OBSERVERA

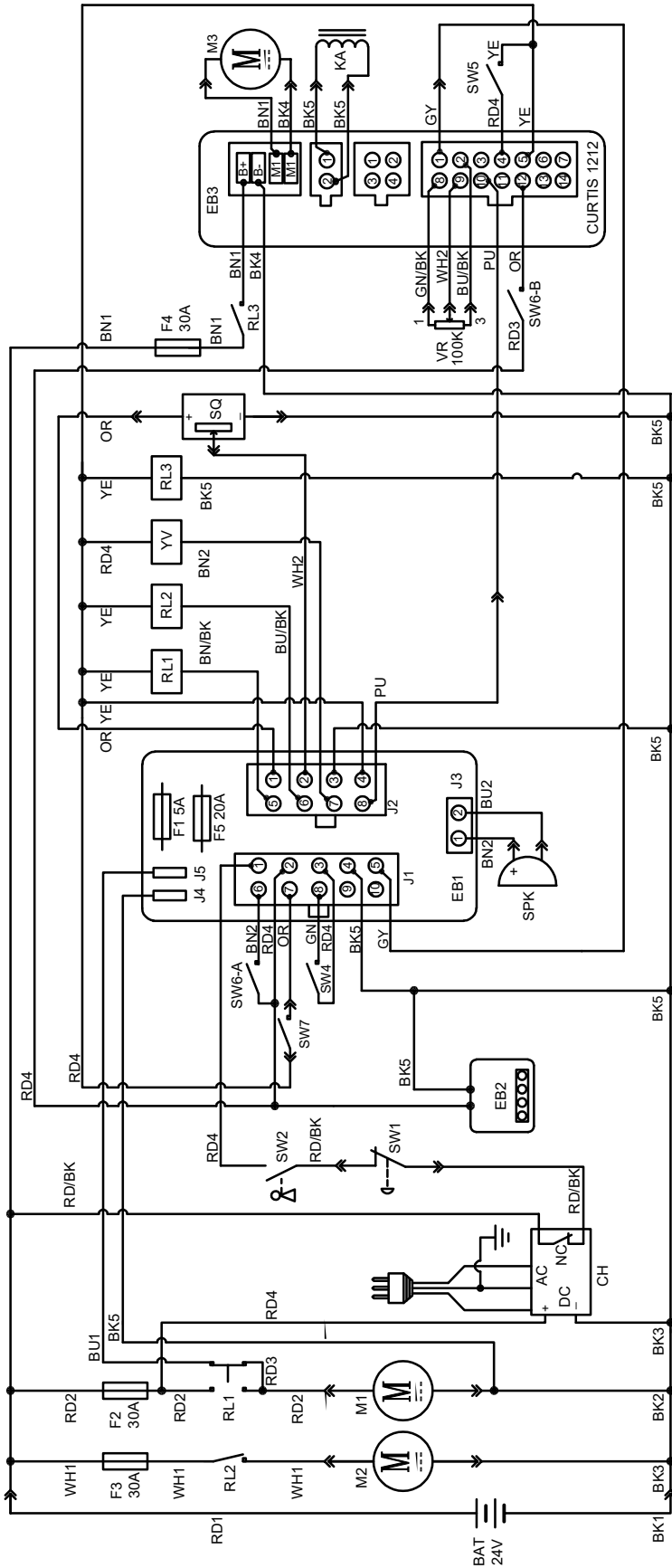
Om den gula lampan (48) är tänd under laddningsprocessen, kan det vara orsakat av: Batteri och laddare matchar inte, batteriet är inte rätt kopplat, eller utgången är kortsluten.

Att den röda lampan på laddaren blinkar kan vara orsakat av laddarens inre kortslutning.

TEKNISKA PARAMETRAR

MODELL	AS530R	
Förpackningsstorlek (L x B x H)	mm	1470*730*1310
Maskinens höjd	mm	1120
Maskinens längd	mm	1360
Maskinens bredd (utan gummiskrapa)	mm	580
Maskinens vikt med tomma behållare (utan batterier)	Kg	140
Totalvikt	Kg	270
Fraktvikt	Kg	245
Lösningsbehållarens volym	Liter	72
Återvinningsbehållarens volym	Liter	73
Vakuumpotens	Watt	400
Vakuumpkapacitet	mm H ₂ O	1223
Lutningskapacitet (max)	%	10
Främre hjuldiameter	mm	φ175
Bakre hjuldiameter	mm	φ230
Ljudnivå	dB(A)	69
Vätske-/vattenflöde	L/min	0.84-2.0
Arbetsbredd	mm	530
Gummiskrapans bredd	mm	730
Borst-/dyndiameter	mm	530
Borstmotoreffekt	Watt	450
Borsthastighet	Rpm	160
Borst-/dyntryck (max)	Kg	23
Drivmotoreffekt	Watt	300W
Arbets hastighet	Km/h	5.5km/h
Spänning	V	24V
Batteri (valfritt)	Ah	2x100AH (20 timmar)
Batteriladdare (valfritt)	V/A	24V 10A
Batterifackets storlek (L x B x H)	mm	350*380*300
USB-laddare specifikation	V/A	5V, 0.8A

KRETSSCHEMA



WIRE ROD		WIRE ROD	
RD1	RED/6AWG	BN/BK	BROWN/BLACK / 20AWG
RD2	RED/10AWG	BU1	BLUE/18AWG
RD3	RED/18AWG	BU2	BLUE/20AWG
RD4	RED/20AWG	BU/BK	BLUE/BLACK / 20AWG
RD/BK	RED/BLACK / 20AWG	GN	GREEN/20AWG
BK1	BLACK/6AWG	GN/BK	GREEN/BLACK / 20AWG
BK2	BLACK/10AWG	GY	GRAY/20AWG
BK3	BLACK/12AWG	PU	PURPLE/20AWG
BK4	BLACK/14AWG	OR	ORANGE/20AWG
BK5	BLACK/18AWG	YE	YELLOW/20AWG
BN1	BROWN/14AWG	WH1	WHITE/12AWG
BN2	BROWN/20AWG	WH2	WHITE/20AWG

COMPONENTS		COMPONENTS	
BAT	24V BATTERIES	KA	BRAKE
CH	BATTERY CHARGER	M1	BRUSH MOTOR
EB1	CONTROL PANEL BOARD	M2	VACUUM MOTOR
EB2	USB CHARGING ELECTRONIC BOARD	M3	DRIVE MOTOR
EB3	DRIVE ELECTRONIC BOARD	SW1	EMERGENCY-STOP SWITCH
RL1	BRUSH MOTOR ELECTROM SWITCH	SW2	KEY SWITCH
RL2	VACUUM MOTOR ELECTROM SWITCH	SW4	VACUUM MOTOR SWITCH
RL3	DRIVE SYSTEM ELECTROM SWITCH	SW5	OPTIONAL MODE SWITCH
YV	WATER ELECTROVALVE	SW6-A	OPTIONAL REVERSE SWITCH
F1	CONTROL PANEL BOARD FUSE	SW6-B	OPTIONAL REVERSE SWITCH
F2	BRUSH MOTOR CIRCUIT BREAKER	SW7	SEAT SWITCH
F3	VACUUM MOTOR CIRCUIT BREAKER	SQ	FOOT THROTTLE
F4	DRIVE SYSTEM CIRCUIT BREAKER	SPK	12VDC BUZZER
F5	BRUSH RELEASE FUSE	VR	SPEED POTENTIOMETER

KOMPONENTER		KOMPONENTER	
BAT	24V BATTERIER	M1	BORSTMOTOR
CH	BATTERILADDARE	M2	SUGMOTOR
EB1	KONTROLLPANEL KRETSKORT	M3	DRIVMOTOR
EB2	USB-LADDNING ELBRÄDA	SW1	NÖDSTOPP
EB3	DRIFT KRETSKORT	SW2	NYCKELBRYTARE
RL1	BORSTMOTOR ELEKTRONISK STRÖMBRYTARE		
RL2	SUGMOTOR delete ELEKTRONISK STRÖMBRYTARE	SW4	SUGMOTOR STRÖMBRYTARE
RL3	DRIVSYSTEM ELECTRON STRÖMBRYTARE	SW5	EXTRA LÄGESVÄXLARE
YV	VATTEN ELEKTROVENTIL	SW6-A	EXTRA OMKOPPLARE
F1	KONROLLPANEL delete SÄKRING	SW6-B	EXTRA OMKOPPLARE
F2	BORSTMOTOR STRÖMBRYTARE	SW7	SITS OMKOPPLARE
F3	SUGMOTOR STRÖMBRYTARE	SQ	FOT GASREGLAGE
F4	DRIVSYSTEM STRÖMBRYTARE	SPK	12VDC RINGKLOCKA
F5	BORST FRISLÄPPANDE SÄKRING	VR	HASTIGHETSPOTENTIOMETER
KA	BROMS		

VALSTRÅD		VALSTRÅD	
RD1	RÖD/6AWG	BN/BK	BRUN/SVART/20AWG
RD2	RÖD/10AWG	BU1	BLÅ/18AWG
RD3	RÖD/18AWG	BU2	RÖD/20AWG
RD4	RÖD/20AWG	BU/BK	BLÅ/SVART/20 AWG
RD/BK	RÖD/SVART/20AWG	GN	GRÖN/20AWG
BK1	SVART/6AWG	GN/BK	GRÖN/SVART/20AWG
BK2	SVART/10AWG	GY	GRÅ/20AWG
BK3	SVART/12AWG	PU	LILA/20AWG
BK4	SVART/14AWG	OR	ORANGE/20AWG
BK5	SVART/18AWG	YE	GUL/20AWG
BN1	BRUN/14AWG	WH1	VIT/12 AWG
BN2	BRUN/20AWG	WH2	VIT/20AWG

BRUKSANVISNING



VARNING!

Var mycket uppmärksam på dessa symboler i den här bruksanvisningen:

- FARA!
- VARNING!
- FÖRSIKTIGHET!
- RÅD

Täck aldrig över dessa symboler på maskinen och byt ut dem omedelbart om de skadas.

INSTALLATION OCH INSTÄLLNING AV NYTT MASKINBATTERI



VARNING!

De elektriska komponenterna i maskinen kan skadas allvarligt om batterierna installeras eller ansluts felaktigt.

Batterierna måste installeras av kvalificerad personal. Ställ in batteriladdaren (valfritt) och maskin PCBA i enlighet med batteritypen (WET eller GEL/AGM).

Kontrollera om batterierna är skadade före installation.

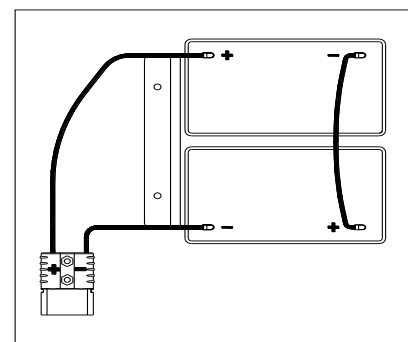
Koppla ifrån batterianslutaren och batteriladdningskontakten.

Hantera batterierna med stor försiktighet.



OBSERVERA

Maskinen kräver två 12V batterier, som ansluts i enlighet med Figur 3.



Figur 3

Maskinen kan användas i ett av följande batterilägen:

A) WET eller GEL/AGM batterier är redan installerade och redo att användas

1. Kontrollera batterierna och anslut batterianslutaren till maskinen.
2. Sätt i nyckeln (40) och vrid till "på". Om den gröna lampan tänds (37), är batterierna fulladdade för användning. Om den gula eller röda lampan (33 eller 32) tänds, måste batterierna laddas.

B) Utan batterier

1. Om din maskin inte är utrustad med batterier, ska du köpa passande batterier [Se punkt om Teknisk information delete]. För batteri val och installation, ska du vända dig till kvalificerade batteriåterförsäljare.
2. När batterierna är redo, ska du ställa in maskinen och batteriladdaren i enlighet med typen av de installerade batterierna, följ sedan procedureran som visas i nästa punkt.

BATTERI INSTALLATION OCH INSTÄLLNING AV BATTERITYP (WET ELLER GEL/AGM)

Ställ in maskinens och batteriladdarens elektroniska kretskort i enlighet med batterityperna (WET eller GEL/AGM) genom att följa stegen nedan:



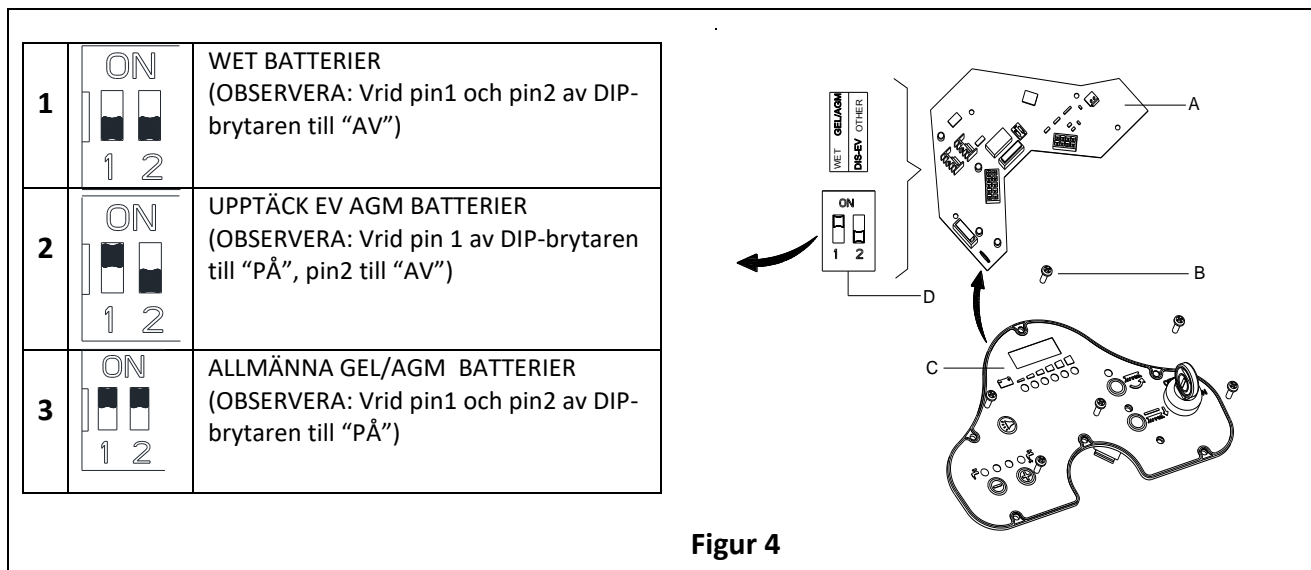
OBSERVERA

När du installerar nya batterier, kan du följa figur 4 för att ställa in DIP-omkopplaren, eller så kan batterierna skadas av fel inställning.

Maskininställning

1. Sätt i nyckeln (40) och vrid till "PÅ", var uppmärksam på nedan under de första sekunderna efter att maskinen har startats:
 - Om den gröna lampan (37) blinkar är maskinen inställd på att använda GEL/AGM batterier.
 - Om den gula lampan (33) blinkar är maskinen inställd på att använda Discover EV AGM batterier.
 - Om den röda lampan (32) blinkar är maskinen inställd på att använda WET batterier.
2. Följ stegen nedan för att ändra maskininställningarna.
3. Maskinens fabriksinställningar är inställda på att använda Discover EV AGM batterier. Om inställningen motsvarar delete de valda batterierna, ska du direkt gå till steg 6, annars följs nästa steg.

- Lossa skruven (B, Figur 4) på kontrollpanelen, vänd sedan delete (A) på panelen för att hitta DIP-brytaren (D), följ Figur 4 för DIP-inställningar.
- Utför stegen i omvänd ordning för att sätta ihop kontrollpanelen och låsa skruven efter att inställningen är klar.



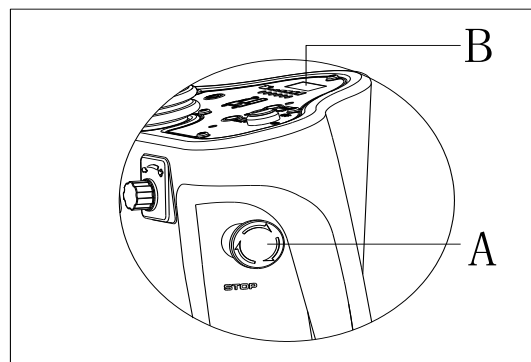
Figur 4

Installation av batteri

- Öppna luckan (4) och kontrollera att återvinningsbehållaren (3) är tom. Töm den annars med tömningsslangen (15).
- Stäng locket till återvinningsbehållaren (4).
- Vänd försiktigt på locket till återvinningsbehållaren (3).
- Maskinen levereras med kablar som är lämpliga för att installera 2x12V batterier. Sätt in batterier i facket och installera dem korrekt.
- Vrid och installera batterikabeln såsom visas på (Figur 3) och dra försiktigt åt muttern på varje batteripol.
- Placera skyddshylsan på varje pol och anslut batterikontakten.
- Sänk försiktigt återvinningsbehållarens lock (3).

Ladda batterierna

- Ladda batterierna. [Se kapitel om UNDERHÅLL].



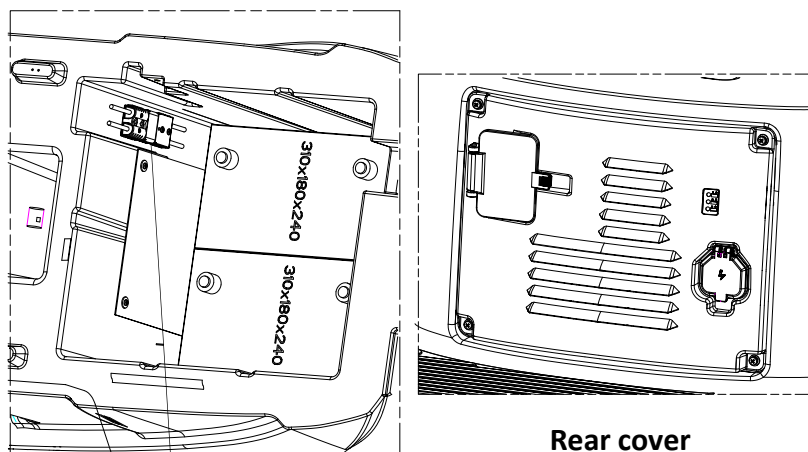
Figur 5

Batteriladdarinställning (endast för inbyggd laddare om installerad)

Batteriladdare

Batteriladdaren är placerad inuti den bakre luckan och ansluten direkt till batterierna. Laddaren är mikroprocessorstyrd och använder olika laddningskurvor för optimal prestanda för olika batterityper.

- Lossa kabelkontakten som leder till batterierna.
- Ta bort de bakre luckorna.
- Ta bort de 4 skruvarna (B) och ta bort laddaren (A).



Disconnect the connector

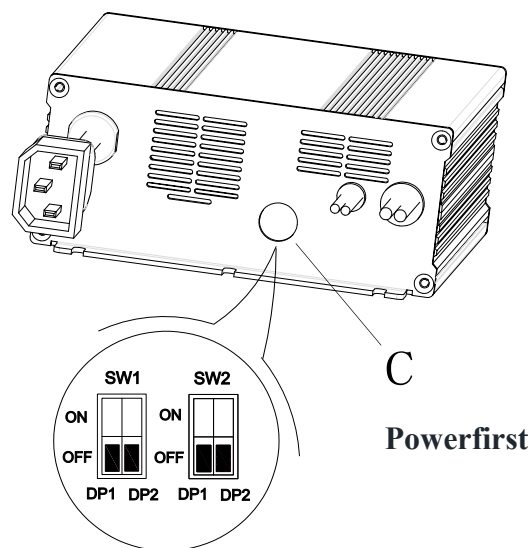
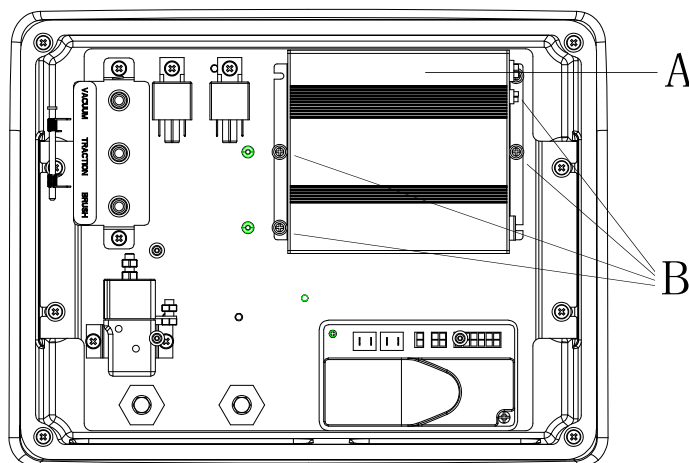
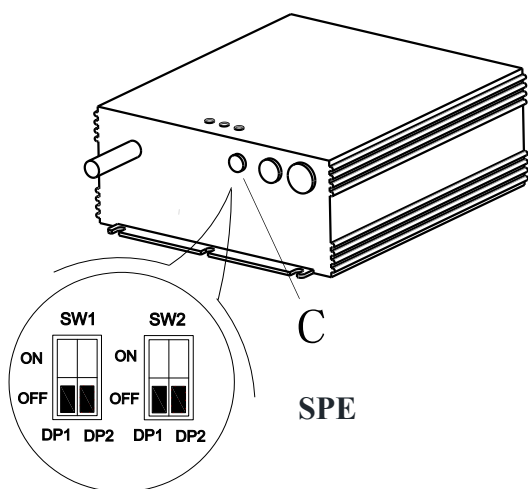
Rear cover

Batterityp DIP-switchar

Laddarens funktion styrs av 4 DIP-switchar (2 par) inuti den bakre luckan. De andra 2 switcharna ska aldrig vidröras om inte laddaren har bytts ut och deras läge behöver bekräftas, ställ in batterispänningen (24V) och maximal strömstyrka (10A) och den ska alltid vara i läge Av.

De första 2 switcharna är åtkomliga via en plastkontakt utan att laddaren öppnas. Dessa switchar ställer in den typ av laddningskurva som används för varje typ av batteri. Kurvtypen anger det sätt och den magnitud på vilken ström och spänning appliceras på batteriet under laddningscykelns olika faser.

1. Ta bort plastkontakten som täcker DIP-switcharnas åtkomsthål (C).
2. Ställ in de första 2 DIP-switcharna (SW1) enligt tabellen nedan.
3. Sätt tillbaka plastkontakten.



Curve/Battery Type	SW1		SW2	
	D1	D2	D1	D2
IUIa Wet	On	Off	Off	Off
IUIa Gel Exide	Off	Off		
IUoU AGM	Off	On		
IUIa AGM Discover	On	On		

Curve/Battery Type	SW1		SW2	
	D1	D2	D1	D2
IUIa Wet	On	Off	Off	Off
IUIa Gel Exide	Off	Off		
IUUa AGM	Off	On		
IUIa AGM Discover	On	On		

NÖ DBROMSNING

Om det sker någon nödsituation under maskinens drift, ska du trycka på nödbromsens knapp (A, Figur 5), alla maskinens funktioner stannar då av, det visas inget på kontrollpanelen (B, Figur 5)

BORST/DYNA INSTALLATION OCH AVINSTALLATION



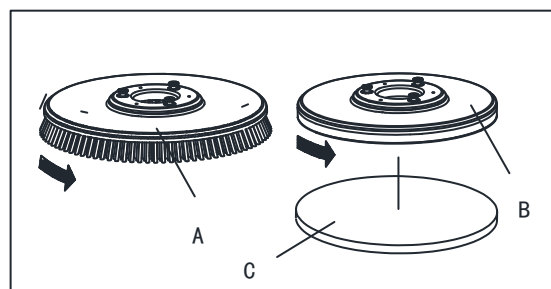
OBSERVERA

Installera passande borste (A, Figur 6) eller dyna (B och C, Figur 6) i enlighet med typen av golv som ska rengöras.



VARNING

Före installation eller avinstallation av borste eller dyna, ska du säkerställa att alla strömbrytare på maskinen är i läge av och att lyfta upp sugskrapan från golvet. Operatören måste vara utrustad med passande personliga skyddskläder så som handskar för att minska olycksrisken. Fortsätt enligt följande:



Figur 6

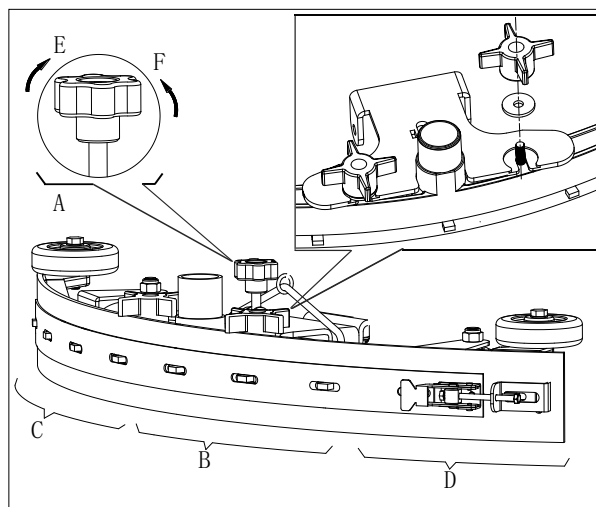
1. Sätt i nyckeln (40) och vrid till "PÅ".
2. Tryck pedalen (6) framåt med foten för att lyfta borstenheten (11) från golvet.
3. Vrid hastighetsjusteringsratten (42) moturs till slutet.
4. Placera borsten (A, Figur 5) eller dynan (B, Figur 5) centrerat under borstdäcket.
5. Tryck pedalen (6) bakåt med foten för att sänka borstenheten (11). Sitt på sätet, tryck på borstknappen (39) och tryck försiktigt ner pedalen (23), borsten/dynan kan monteras ihop automatiskt. Upprepa dessa steg tills borsten/dynan är installerad.
6. Ta ner borsten manuellt om steg 5 ej lyckas.
7. Tryck ner pedalen (6) framåt med foten för att lyfta borstenheten (11) från golvet, tryck på borst borttagningsknappen (41) för att avinstallera den automatiskt.

**VARNING!**

Vrid hastighetsregleringsratten (42) till den lägsta hastigheten innan du trycker ner accelerationspedalen (6) för att undvika att maskinen körs för snabbt när den startas. Säkerställ att borsten/dynan är korrekt installerad innan maskinen används.

JUSTERA BALANSEN PÅ GUMMISKRAPAN

1. Installera sugskrapan (13) och lås sugskrapratten (20), anslut sedan sugslangen (19) till sugskrapan.
2. Justera gummiskrapan med hjälp av justeringshandtaget (A, Figur 7).
 - a) Om det finns ett mellanrum mellan golvet och mellandelen på det bakre skrapbladet (B), justera vredet (A) medurs (F) tills alla delar på det bakre skrapbladet har kontakt med golvet. Det främre bladet ska vidröra marken en aning.
 - b) Om det finns ett mellanrum mellan golvet och båda ändarna på det bakre skrapbladet (C och D), justera vredet (A) i medturs riktning (E) tills alla delar på det bakre skrapbladet har kontakt med golvet. Det främre bladet ska vidröra marken en aning.



Figur 7

VÄTSKETANKFYLLNING

1. Öppna locket för vattenintaget (E, Figur 8).
2. Fyll på vatten eller vätska som lämpar sig för arbetet genom vattenintaget med filter. Lösningens temperatur får inte överstiga + 104 °F (+ 40 °C).
3. Fyll inte på behållaren för mycket, se vattennivåindikatorn (G) för vattenvolymen.

**VARNING!**

Använd endast lågskummande och brandtåligt rengöringsmedel som är avsett för automatisk skurning.

Drivmotor besiktning

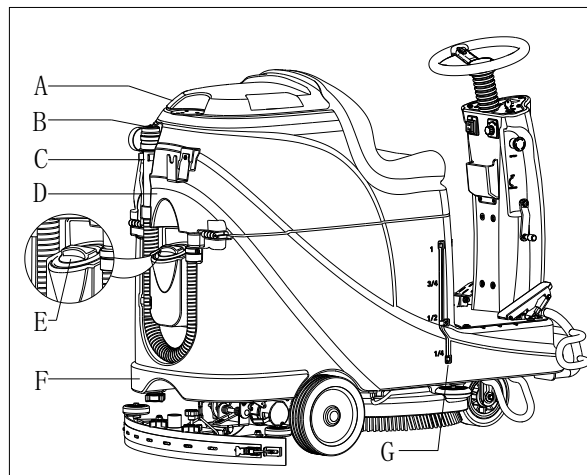
1. Vrid nyckeln (A, Figur 9) till "PÅ"
2. Tryck lätt på accelerationspedalen (C), och låt sedan för att kontrollera om maskinen kan styras framåt och stoppas.
3. För att säkerställa säkerheten ska du bekräfta om maskinen kan stoppas omedelbart genom att trycka på nödbromsknappen (B). Vrid nödknappen för att återställa den.

**VARNING**

Maskinen bör ej köras i lutningar som överstiger 10%.

**VARNING**

Bromsen av drivmotorn är upplåst när motorn arbetar normalt, den låses när motorn slutar att arbeta.



Figur 8

- Broms upplåst -bromshandtaget (D, Figur 9) riktat uppåt
 - Broms låst –bromshandtaget riktat nedåt
- I speciella fall, som vid nerpackning och upppackning, maskinfel, etc. måste man förflytta maskinen utan att drivmotorn är igång, ställ in bromsen manuellt på upplåst för att förflytta den. För att undvika säkerhetsrisk ska du se till att bromsen är tillbaka på låst status efter att maskinen har förflyttats.

MASKIN START OCH STOPP

Starta maskinen

1. Förbered maskinen som det visas i föregående punkt
2. Sitt på sätet (L, Figur 10), sätt in nyckeln (A) och vrid den till "PÅ". Om den gröna lampan (C) lyser, är batterierna fulladdade för användning. Om den gula lampan (E) eller röda lampan (D) lyser, måste batterierna laddas före användning. [Se UNDERHÅLL kapitlena för batteriladdning]
3. Lower the squeegee assembly to the floor.



OBSERVERA

Se till att sugskrapenheten lyfts innan maskinen körs bakåt, annars så kommer maskinen att stanna och LED-skärmen visar "Fel" information.

4. Sänk borstenheten till golvet.



OBSERVERA

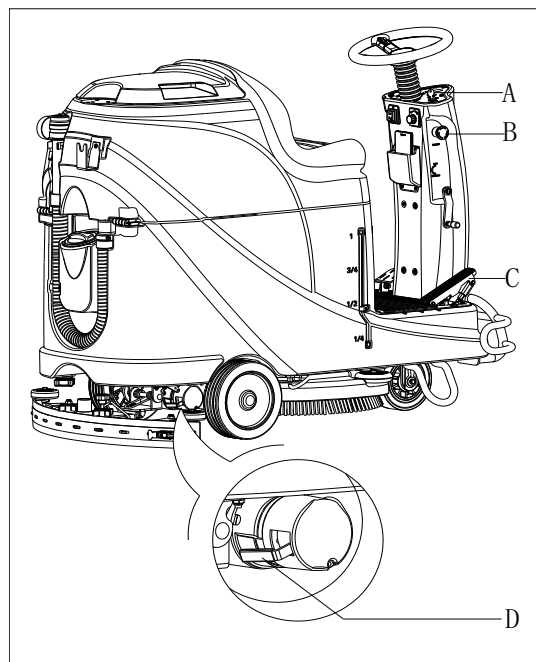
Se till att stänga av borstknappen innan borstenheten lyfts upp, och lyft borstenheten innan maskinen körs framåt/bakåt

5. Tryck på borstknappen (B)
6. Tryck på accelerationspedalen (R), för maskinen framåt eller bakåt genom att styra ratten (N) tillsammans med framåt-bakåt brytaren (H), du kan justera hastigheten med hastighetsjusteringsratten (I).
7. Justera vätskeflödet med hjälp av vätskejusteringsknappen (G) baserat på rengöringsbehov.
8. Du kan ladda din telefon eller surfpatta genom USB-laddningsporten (M) när nyckeln (A) vrids till "PÅ".
9. Tryck på signalhornsknappen (F) för att varna folk, om nödvändigt.
10. Om nödvändigt, tryck på nödstoppsknappen för maskinnödstopp.

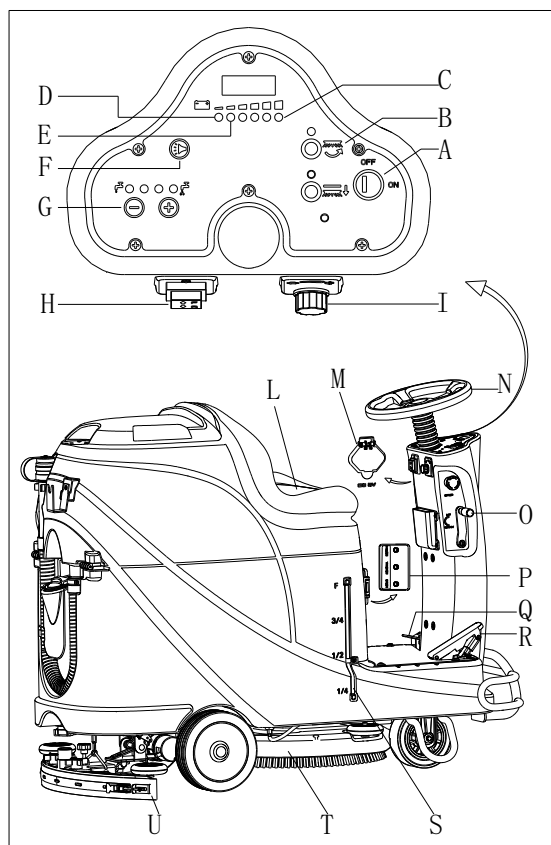


OBSERVERA

Borstmotorn, sugmotorn, drivmotorn och kontrollkretsen skyddas av överladdningsbeskyddaren (P). När överladdningsbeskyddaren inte fungerar, ska du inte återställa den omedelbart utan att hitta orsaken, och se till att motorn kyls ner innan återställning.



Figur 9



Figur 10

Stoppa maskinen

11. Lätta på accelerationspedalen (R, Figur 10), maskinen slutar att köra.
12. Tryck på borstknappen (B) för att stoppa borstmotorn.
13. Lyft borstenheten (T) genom att trycka på pedalen (Q).

14. Lyft sugskrapenheten (U) genom sugskrap lyft/sänk spaken (O), och några sekunder senare kommer sugsystemet att stängas.
15. Vrid nyckeln till "AV"
16. Se till att maskinen har stoppats.

MASKINDRIFT (SKURA OCH TORKA)

1. Starta maskinen i enlighet med procedurerna i föregående punkt.
2. Börja rengöra genom att följa procedurerna i avsnittet "Starta maskinen."
3. Om nödvändigt ska maskinen stoppas för att justera sugskrapan i enlighet med avsnittet "Justera sugskrapan".



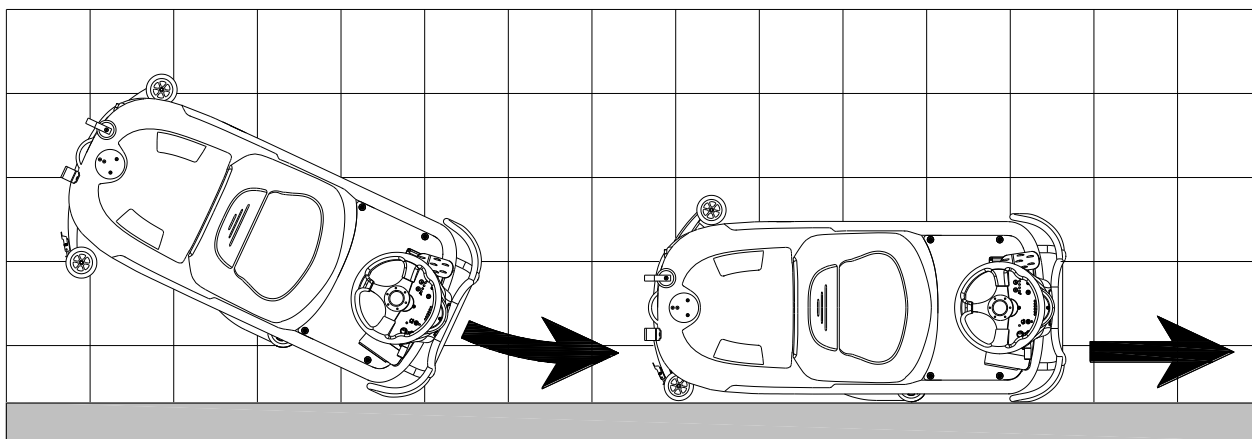
VARNING!

För att undvika skada på golvytan ska du stänga av borst/dyn-hållaren när maskinen stannar på en plats.



OBSERVERA

För korrekt skurning/torkning av golv vid delete väggar, rekommenderar vi att gå nära väggarna med maskinens högra sida (Stötfångarens hjulsida) som det visas i Figur 11 nedan.



Figur 11

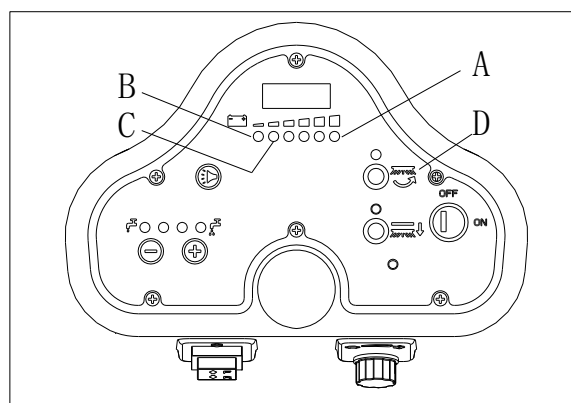
Batteriladdning under drift

När den gröna lampan (A, Figur 12) lyser, har batterierna tillräckligt med effekt för att maskinen ska fungera normalt. När alla de gröna lamporna är släckta, är den gula lampan (C, Figur 12) tänd, batteriernas effekt är för låg, ladda batterierna. När den röda lampan (B, Figur 12) blinkar, är batterierna urladdade, vakuummotorn och borstmotorn kommer att stängas av automatiskt med några sekunders fördröjning, kör maskinen till batteriladdning omedelbart



VARNING!

För att undvika att skada batterierna och förkorta deras livslängd, ska maskinen inte användas när batterierna är urladdade.



Figur 12

TÖMMA BEHÅLLAREN

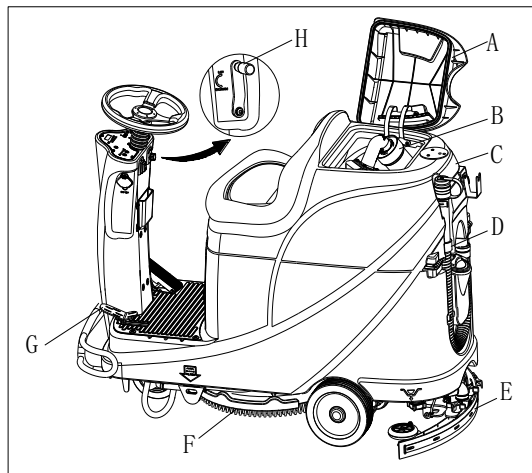
Ett automatisk flytande avstängningssystem (B, Figur 13) blockerar vakuumsystemet när återvinningsbehållaren (C) är full. Vakuumsystemets avaktivering signaleras med en plötslig ökning i vakuumsystemets motorbuller, även om golvet inte har torkats.



FÖRSIKTIGHET!

Om vakuumsystemet stängs av av misstag (till exempel, när flottören aktiveras på grund av en plötslig maskinrörelse), för att återuppta driften: stäng av vakuumsystemet genom att trycka på knappen (D, Figur 12), öppna sedan locket (A, Figur 11) och kontrollera att flottören inuti gallret (B) har gått ner till vattennivån. Stäng sedan luckan (A) och slå på vakuumsystemet genom att trycka på knappen (D, Figur 12).

När återvinningsbehållaren (C, Figur 13) är full, töm den enligt följande procedur.



Figur 13

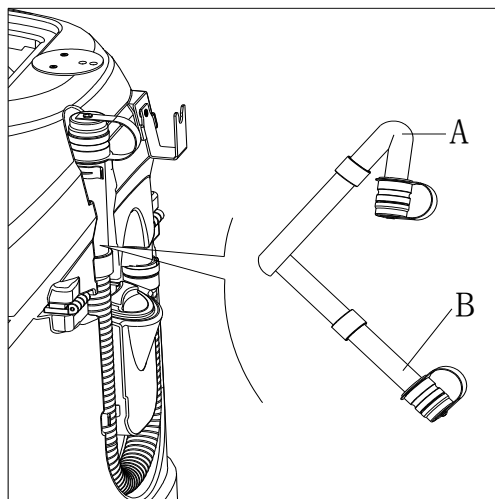
Tömning av återvinningsbehållaren

1. Stoppa maskinen.
2. Lyft upp borst-/dynhållarens plattform (H, Figur 12) genom att trycka på pedalen (G).
3. Lyft upp gummiskrapan med spaken (H).
4. Flytta maskinen till ett utsett område.
5. Töm återvinningsbehållaren med tömningsslangen (D). Skölj sedan behållaren med rent vatten.



VARNING!

Vid tömning av avfallsvattnet, måste avloppsslangen vikas (A, Figur 14) och sänkas ner (B, Figur 14) innan man öppnar avloppsslangens lock. Håll inte utloppet av avloppsslangen uppåt för att tömma vattnet vertikalt för att undvika att avfallsvattnet rinner ut på operatören.



Figur 14

Vätske/rent vatten tank tömning

6. Utför stegen 1 till 4 i kapitel "Återställning vattentank tömning".
7. Töm vätsketanken genom utloppslocket (A, Figur 15). Och skölj sedan tanken med rent vatten.

EFTER ATT HA ANVÄNT MASKINEN

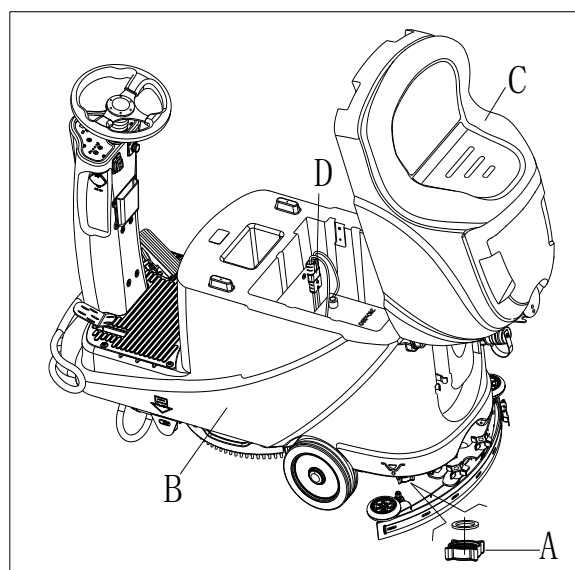
Efter arbetet, innan man lämnar maskinen:

1. Ta bort borst-/dynhållare.
2. Töm behållarna (B och C, Figur 15) som visas i föregående punkt.
3. Utför dagligt underhåll (se avsnittet underhåll).
4. Förvara maskinen på en ren och torr plats med borst-/dynhållaren och gummiskrapan lyft eller borttagen.

LÅNG INAKTIVITET AV MASKIN

Om maskinen inte kommer att användas i mer än 30 dagar, gör följande:

1. Utför procedurerna som visas i "EFTER ATT HA ANVÄNT MASKINEN" punkten.
2. Koppla ifrån batterikontakten (D, Figur 15).



Figur 15

ANVÄNDNING FÖRSTA GÅNGEN

Efter att ha använt maskinen i nio timmar första gången ska man kontrollera den efter skada eller andra avvikelser. Kontrollera även om fästena eller kopplingarna är lösa.

UNDERHÅLL



VARNING!

Underhållsrutiner måste utföras när maskinen är avstängd och batteriets laddningskabel är frånkopplad. Läs noga igenom säkerhetskapitlen i handboken.

Alla schemalagda eller extraordinära underhållsrutiner måste utföras av kvalificerad personal eller en auktoriserad serviceverkstad. Denna handbok beskriver endast de allmänna och vanliga underhållsrutinerna.

För andra underhållsrutiner som inte ingår i underhållsschemat nedan, se servicehandboken som kan konsulteras på alla våra serviceverkstäder.

TABELL ÖVER PLANERAT UNDERHÅLL



FÖRSIKTIGHET!

Åtgärden som anges med (1) måste utföras när maskinen används efter 9 timmar för första gången.

Åtgärden som anges med (2) måste utföras av en serviceverkstad som är kvalificerad av vårt företag.

Åtgärd	Dagligen, efter varje användning	Varje vecka	Halvårsvis	Varje år
Batteriladdning				
Rengöring av gummiskrapa				
Rengöring av borst-/dynhållare				
Rengöring av behållare				
Inspektion av behållarens förseglingsremsa				
Rengöring av flottörfiltfilter				
Kontroll och utbyte av gummiskrapans blad				
Rengöring av vattenfilter				
Rengöring av sugfilter				
Kontroll av vätskenivå för WET -batteri				
Kontroll av skruvar och muttrar			(1)	
Kontroll och utbyte av borst-/dynhållare				(2)
Kontroll och utbyte av sugmotorns kolborste				(2)
Kontroll eller utbyte av drivsystem motorborste (endast för maskin med dragning)				(2)
Lägg till smörolja för roterande delar			(1)	

BATTERILADDNING



OBS!

Ladda batterierna när den gula (32) eller röda LED-lampan (33) lyser eller i slutet av varje arbetspass.



FÖRSIKTIGHET

Att se till att batteriet alltid är fulladdat kan förlänga dess livslängd.



FÖRSIKTIGHET

Ladda batteriet så snart som möjligt om batterinivån är låg, annars kan batteriets livslängd minskas. Det är bättre att kontrollera batteriet minst en gång i veckan.

**VARNING!**

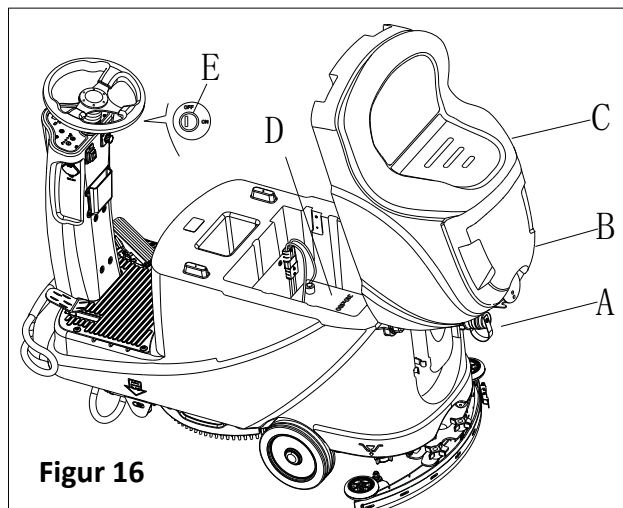
Var speciellt försiktig när batteriet laddas eftersom där kan finnas syra som har läckt vid laddningen. Batterisyra är frätande, om den kommer i kontakt med hud eller ögon, ska du omedelbart skölja med mycket rent vatten och uppsöka läkarvård,

Förberedelsestegen för att ladda batterierna

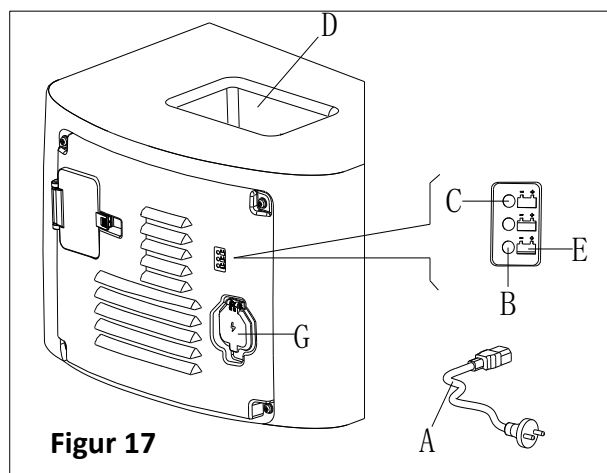
1. Öppna returtankens lock (B, Figur 16) för att kontrollera om återvinningstanken (C) är tom, eller töm återvinningstanken genom dräneringsslangen (A).
2. Kör maskinen till ett utsett laddningsområde.
3. Vrid nyckeln till "AV".
4. Följande steg är bara för WET-batterier:
 - Rengör batteriytan om nödvändigt.
 - Kontrollera batteriernas (D) batterielektronivå, om nödvändigt ska du öppna locket för att delete fylla elektrolyten och sedan återställa den.
 - Håll locket öppet under laddningen.
5. Välj en av nedan laddningslägesbas på de valda laddningstyperna.

Använd den inbyggda laddaren för batteriladdning

6. Anslut batteriladdningskabeln (A, Figur 17) till elnätet (G), då stängs alla maskinfunktioner av förutom automatisk laddning.
Den normalt röda LED lampan (B) visar att maskinen håller på att laddas.
7. Batterierna är fulladdade när den gröna LED lampan (C) tänds.
8. Koppla ifrån batteriladdningskabeln från elnätet efter att laddningen är klar, och förvara sedan batteriladdningskabeln i förvaringslådan (D).



Figur 16



Figur 17

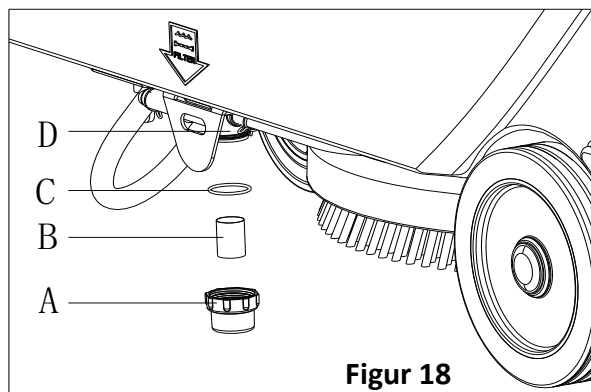
**OBSERVERA**

För ytterligare information om den inbyggda laddaren (E, Figur 17), delete se relevant bruksanvisning från servicecenter.

RENGÖRING AV BORSTE/DYNA**FÖRSIKTIGHET!**

Vi rekommenderar att man bär handskar vid rengöring av borst- eller dynhållaren eftersom den kan innehålla vassa delar.

1. Ta av borst-/dynhållaren från basen på det sätt som visats i tidigare avsnitt.
2. Rengör borst-/dynhållaren med vatten och rengöringsmedel.
3. Kontrollera att borsten är hel och inte utnött, vid behov byt ut borsten.
4. Kontrollera att poleringsdynan inte är utnött, vid behov byt ut den.



Figur 18

VÄTSKEFILTER RENGÖRING

1. Kör maskinen till plan mark.
2. Se till att maskinen är avstängd.
3. Töm vätsketanken (valfritt steg).
4. Ta ner vätskefilterlocket (A, Figur 18) för att rengöra filterinsatsen (B), och fäst dem sedan tillbaka på filterstödet (D).



OBSERVERA

Filterinsatsen (B) måste placeras korrekt på höljet av filterstödet (D).

RENGÖRING AV GUMMISKRAPA



OBS

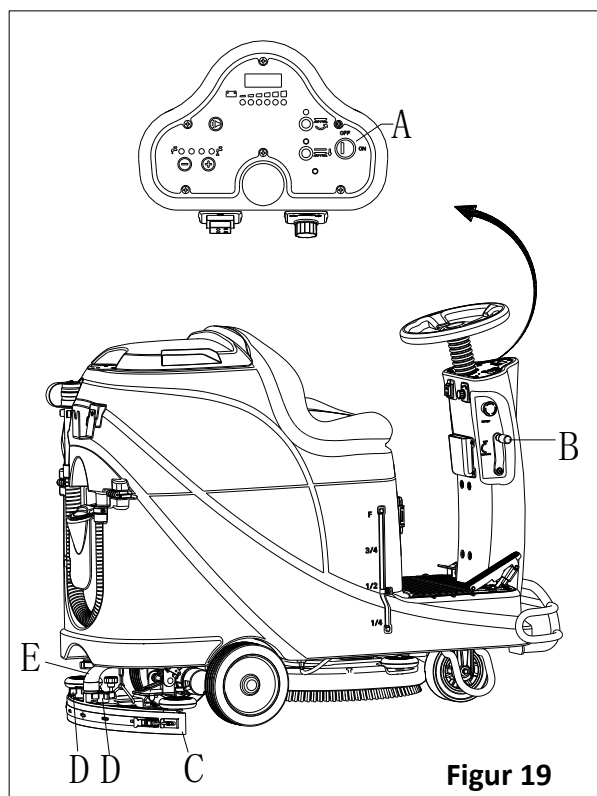
Gummiskrapan måste vara ren och dess blad måste vara i gott skick för att få en bra torkning.



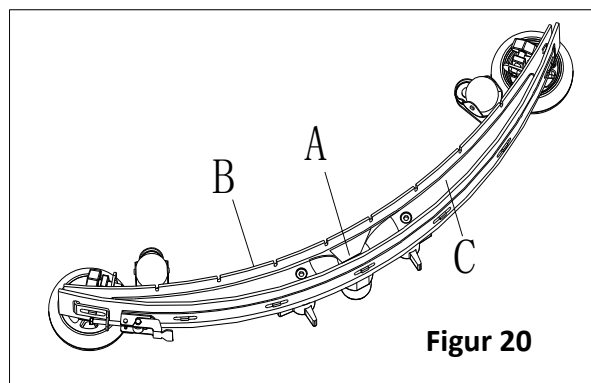
FÖRSIKTIGHET

Använd skyddshandskar när du rengör gummiskrapan eftersom det kan finnas vasst skräp.

1. Kör maskinen på delete plan mark.
2. Vrid nyckeln (A, Figur 19) till "AV".
3. Sänk sugskrapan (B) med spaken (C).
4. Lossa rattarna (D) och ta bort sugskrapan.
5. Koppla ifrån vakuumslangen (E) från sugskrapan.
6. Rengör stål eller aluminium sugskrapan, speciellt facken (A, Figur 20) och hålen (B). Kontrollera skicket, efter skador och revor på frambladet (B) och bakbladet (C), om nödvändigt, byt ut dem i enlighet med procedurerna i följande punkt.
7. Montera ihop sugskrapan i omvänd ordning.



Figur 19



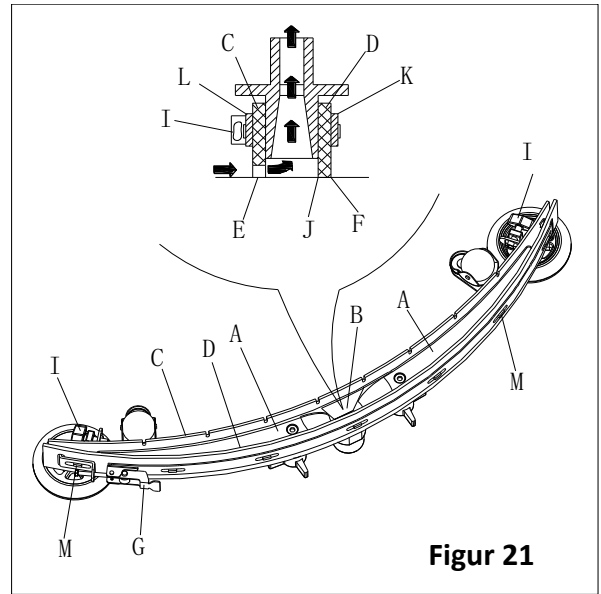
Figur 20

KONTROLL OCH UTBYTE AV GUMMISKRAPANS BLAD

1. Rengör gummiskrapan i stål eller aluminium på det sätt som visas i föregående stycke.
2. Kontrollera att kanten (E, Figur 21) på det främre bladet (D) och kanten (L) på det bakre bladet (E) ligger på samma nivå. Vid behov justera deras höjd enligt följande förfarande:
 - Ta bort dragstången (G), lossa fästelementen (M) och justera det bakre bladet (D), sätt sedan fast infästningarna (M) och installera dragstången (G).
 - Lossa på vreden (I) och justera det främre bladet (C) och dra sedan åt vreden.
3. Kontrollera att det främre bladet (C) och det bakre bladet (D) är hela, utan repor och revor. Byt ut dem vid behov enligt följande förfarande. Kontrollera att det främre hörnet (J) av det bakre bladet (D) inte är utslitet. Om så är fallet, vänd på bladet för att byta ut det slitna hörnet med ett som är helt. Om de andra hörnen också är utslitna, byt ut bladet enligt följande:
 - Ta bort dragstången (G), lossa fästelementen (M) och ta bort remsan (K), byt sedan ut/vänd på det bakre bladet (D). Montera bladet i omvänd ordning.
 - Skruva loss vreden (I) och ta bort remsan (L), byt sedan ut det främre bladet (C). Montera bladet i omvänd ordning. Efter att ha bytt ut bladet, justera höjden såsom visas i föregående steg.
4. Anslut sugslangen (A, Figur 22) till gummiskrapan.
5. Installera gummiskrapan (B) och skruva fast rattarna (C).
6. Vid behov, justera gummiskrapans balans med hjälp av justeringsvredet (D).

RENGÖRING AV BEHÅLLARE OCH VAKUUMNÄT MED FLOTTÖR OCH KONTROLL AV LOCKPACKNING

1. Kör maskinen på ett plant golv.
2. Se till att maskinen är avstängd och startnyckeln (40) har tagits bort.
3. Vänd återvinningsbehållarens lock (A, Figur 23) i 90 graders läge så att det kan tas bort från behållaren och ta sedan bort filtret (P) från behållaren.
4. Rengör återvinningsbehållarens lock (A), återvinningsbehållaren (B), vattenbehållaren (C) och flottörbollfiltrets stödrum (E). Töm återvinningsbehållaren med tömningsslängen (15).
5. Vid behov, följ symbolerna "Öppna" och "Stäng" som visas i Figur 23 för att öppna bottenkåpan (F) på flottörbollfiltret och rengör sedan flottörbollen (D), filtrets stödrum (E) och filterredynan (I). Efter rengöring, sätt fast flottörbollen (D) i filtrets stödrum (E) och justera sedan märkskenan (L) på det nedre locket (F) av filtret med märkskenan (L) på filtrets stödrum (E). Skruva fast locket på flottörbollfiltret och sätt fast filterredynan (I) på stödrumen (E). Slutligen, anslut den till sugslangen (M).
6. Inspektera att behållarens förseglingsremsa är hel.



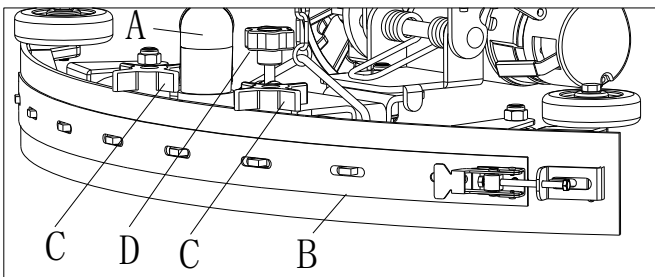
Figur 21



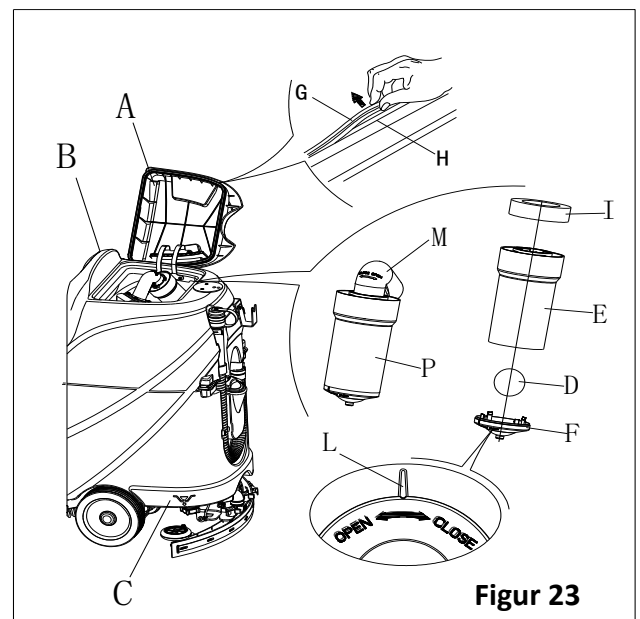
OBS!

Behållarens förseglingsremsa (G) gör att vakuum produceras inuti behållaren när sugmotorn är igång. Behållaren måste tätas effektivt så att den kan absorbera vatten från marken till återvinningsbehållaren.

7. Kontrollera om förseglingsremsans kontaktyta (G) är hel och att tätningen är tillräcklig. Vid behov, ta bort remsan (H) och byt ut den. Montera den nya förseglingsremsan såsom visas i Figur 23, fogen bör vara bakom det mellersta området.
8. Stäng locket till återvinningsbehållaren (A).



Figur 22



Figur 23

SÄKRING KONTROLL/BYTE

1. Vrid nyckeln (D, Figur 24) till "AV".
2. Koppla ifrån batterianslutningskabeln.
3. Lossa upp skruvarna (C) på kontrollpanelen och vänd sedan om PCBA för att hitta säkringen (A och B).
4. Kontrollera/byt ut säkringarna:
 - A) F1 är låg-effekt säkringen (5A)
 - B) F3 är borst demoniteringssäkring (20A)
5. Efter kontroll/byte är klart, återmontera i omvänd ordning.
6. Kontrollera eller återställ motor överbelastningsskyddaren.
 - E) F5 är vakuummotor överladdningsskyddaren (30A)
 - F) F4 är drivmotor överladdningsskyddaren (30A)
 - G) F2 är borstmotor överladdningsskyddaren (30A)

TILLSATSER/TILLBEHÖR

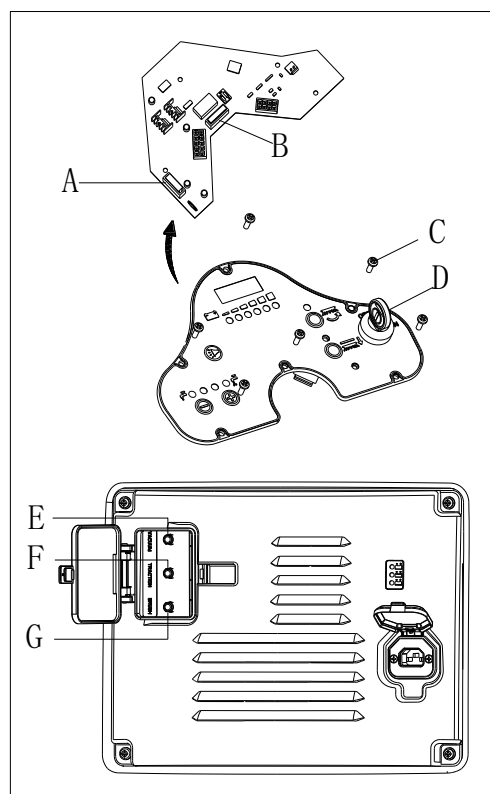
Förutom standarddelar kan maskinen utrustas med följande tillsatser/tillbehör beroende på maskinens särskilda användning.

För ytterligare information om valfria tillbehör, kontakta en behörig återförsäljare.

Tillsatser/Tillbehör

Se avsnittet "Dellista"

1. GEL/AGM-batterier
2. Kuddar av olika material



Figur 24

FELSÖKNING

Problem	Möjliga orsaker	Åtgärd
Motorerna fungerar inte, ingen varningslampa tänds (C9)	Batterikontakten är bortkopplad	Anslut batterikontakten
	Batterierna är helt urladdade	Ladda batterierna
Maskinen fungerar inte, röd batteri kapacitetsvarning tänds (C8)	Batteriernas nivå är för låg	Ladda batterierna
Maskinen kör inte framåt/bakåt	Styrkrets-kortsfel	Byt ut styrkrets-kortet
	Drivmotor kontrollant fel	Se "DRIVMOTOR FEL INDIKATOR INFORMATION"
	Operatören sitter inte på sätet	Sitt på sätet
	Sugskrapan lyfts inte upp när maskinen kör bakåt	Lyft sugskrapan
Borstmotorn fungerar inte	Styrkrets-kortsfel	Byt ut styrkrets-kortet
	Borstmotor överbelastning	Använd en mjuk borste som är lämplig för rengöring och återställ borstmotorns överbelastningsskydd
	Borstmotor kontakt fel	Kontakta efter köp service
	Borstmotor kolborste nötning	Kontakta efter köp service
	Hinder som förhindrar att borsten roterar	Rengör borsten
Drivmotorn fungerar inte	Drivmotor problem lampa tänds	Se "DRIVMOTOR FEL INDIKATOR INFORMATION"
	Drivmotor överbelastad	Återställ drivmotorns överbelastningsskydd och kontrollera drivmotorn/kretsen
Vakuummotorn fungerar inte	Vakuummotorn överbelastning	Återställ vakuum överbelastningsskydd och motor överbelastningsskydd och kontrollera vakuummotorn.

	Relä av vakuummotor fel	Kontakta efter köp service
	Styrkretskorts fel	Byt ut styrkretskortet
Otillräcklig med sugeffekt, golvet blir inte torrt	Uppsamlingstanken är full	Töm Uppsamlingstanken
	Dräneringsslangen och sugskrapan dålig anslutning	Anslut dräneringsslangen och sugskrapan korrekt
	Flottör filterblock	Rengör flottörens filter och kontrollera flottörens positions status
	Sugskrapan är smutsig och nött	Kontrollera och rengör sugskrapan
	Uppsamlingstanken är inte stängd ordentlig, eller packningen är skadad, eller Bend röret är tilltäppt	Stäng locket korrekt, eller byt ut packningen eller rengör Bend röret.
	Uppsamlingstanken är smutsig	Rengör uppsamlingstanken
	Otillräckligt med vätska på borstplattan	Vätskefiltret är smutsigt
Vätsketankens indikator lyser för tom		Fyll vätsketanken
Vätsketanken är för smutsig		Rengör vätsketanken
Sugskrapa lämnar repor på golvet	Det finns skräp under skrapbladet	Ta bort skräpet
	Sugskrapabladet är slitet, sprucket och gammalt	Återställ sugskrapabladen
	Sugskrapans balans är inte justerad	Justera sugskrapans balans
Drivmotor bromsfel	Bromsen är låst	Ställ in bromsen på olåst

DRIVMOTOR FEL INDIKATOR INFORMATION

LED-KODER		FEL	MÖJLIG ORSAK
1.1	○○	TERMO FEL	1. Temperatur >80°C eller < -10°C. 2. Överbelastning på fordonet. 3. Användning i extrema förhållanden. 4. Elektromagnetisk broms släpper inte.
1.2	○○○	GASREGLAGE FEL	1. Gasreglage inmatningskabel öppen eller förkortad. 2. Gasreglage defekt. 3. Fel gasreglage typ vald.
1.3	○○○○	HASTIGHETS FEL	1. Hastighetsgräns kabel(kablar) trasig eller kortsluten 2. Bruten hastighetsgräns.
1.4	○○○○○	UNDERSPÄNNINGS FEL	1. Batterispänning <17 volt. 2. Dålig anslutning vid batteriet eller regulatorn.
1.5	○○○○○○	ÖVERSPÄNNINGS FEL	1. Batterispänning >31 volt. 2. Fordon som drivs med laddaren ansluten. 3. Intermittent batteri anslutning.
2.1	○○○	HUVUDSAKLIGA AV FEL	1. Huvudkontakt misslyckades att öppnas.
2.3	○○○○○	HUVUDSAKLIGA FEL *	1. Huvudkontakt svetsad eller fast öppen. 2. Huvudkontakt fel.
2.4	○○○○○○	HUVUDSAKLIGA PÅ FEL	1. Huvudkontakt misslyckades att stängas.
3.1	○○○○	LEDNINGSFEL *	1. Feljusterat gasreglage. 2. Trasigt gasreglage eller gasreglagemekanism.
3.2	○○○○○	BROMS PÅ FEL	1. Elektromagnetisk broms förkortad 2. Elektromagnetisk broms spole öppen.
3.3	○○○○○○	FÖR-LADDNING FEL *	1. Broms drivhjul förkortad. 2. Förladdat krets skadat. 3. MOSFE-fel.
3.4	○○○○○○○	BROMS AV FEL	1. Elektromagnetisk broms drivhjul öppen. 2. Elektromagnetisk broms spole förkortad.
3.5	○○○○○○○○	HPD FEL	1. Felaktig sekvens av gasreglage och KSI, putta, eller hämma ingångar. 2. Feljusterat gasreglage.

4.1	□□□□□	SPÄNNINGSSENSOR FEL *	1. Kortslutning i motor eller motorkablar. 2. Regulator fel.
4.2	□□□□□□	HÅRDVARA FELSÄKRAD *	1. Motorspänning motsvarar inte med gasreglageets förfrågan 2. Kort i motor eller motorkablar. 3. Regulator fel.
4.3	□□□□□□□	EEPROM KONTROLLNUMMER FEL †	1. EEPROM fel.
4.5	□□□□□□□□	BATTERI IFRÅNKOPPLINGSFEL *	1. Batteri inte anslutet. 2. Dålig anslutning til batteriterminaler.

* = Vrid om nyckelbrytare för att nollställa.

† = Måste använda programmerare för att nollställa på följande sätt: välj Programmeny, ändra datavärde av vilken parameter som helst, vrid nyckelbrytare.



OBSERVERA

Maskinen som är utrustad med inbyggd laddare kan inte användas när den inbyggda laddaren är trasig, kontakta vår kvalificerade underhållsservice för hjälp.

SKROTNING

Skrota maskinen på en kvalificerad avfallshanteringsstation.

Innan maskinen skrotas, ta bort och avskilj delarna enligt gällande lagar och förordningar delete.

- Batteri
- Borst-/dynhållare
- Plastslang och plastdetaljer
- Elektriska och elektroniska komponenter (*)

(*) Kontakta vårt servicecenter för att förstöra alla elektriska och elektroniska komponenter.

INDHOLDSFORTEGNELSE

INTRODUKTION	177
MANUALENS INDHOLD OG FORMÅL	177
SÅDAN OPBEVARES DENNE MANUAL	177
OVERENSSTEMMELSESERKLÆRING	177
TILBEHØR OG VEDLIGEHOLDELSE	177
UDSKIFTNINGER OG FORBEDRINGER	177
ANVENDELSESOMRÅDE	177
MASKINENS IDENTIFIKATIONSDATA.....	177
TRANSPORT OG UDPAKNING.....	177
SIKKERHED	178
SYMBOLER DER VISES I BRUGSVEJLEDNINGEN.....	178
GENERELLE SIKKERHEDSINSTRUKTIONER.....	178
MASKINBESKRIVELSE	180
MASKINSTRUKTUR.....	180
KONTROLPANEL.....	181
LEDSKÆRMS DISPLAYINFORMATION.....	181
DISPLAYVINDUE MED OPLADER INDIKATIONSLYS.....	181
TEKNISKE PARAMETRE.....	182
KREDSLØBSDIAGRAM	183
BRUGSANVISNING	185
INSTALLERING OG OPSÆTNING AF NYT MASKINBATTERI	185
BATTERIINSTALLATION OG INDSTILLING AF BATTERITYPE (VÅD ELLER GEL/ AGM)	185
NØDOPBREMSNING.....	187
BØRSTE/PUDEINSTALLATION OG AFINSTALLATION	187
JUSTERING AF GUMMISKRABENS BALANCE	188
PÅFYLDNING AF OPLØSNINGSTANK	188
MASKINSTART OG -STOP	189
MASKINENS BRUG (SKURING OG TØRRING)	190
TØMNING AF TANK.....	191
EFTER BRUGEN AF MASKINEN	191
LANG INAKTIVITET FOR MASKINEN	191
BRUG FØRSTE GANG.....	192
VEDLIGEHOLDELSE	192
TABEL FOR PLANLAGT VEDLIGEHOLDELSE	192
BATTERIOPLADNING	192
BØRSTE-/ RONDELRENGØRING	193
RENGØRING AF OPLØSNINGSFILTER	194
RENGØRING AF SUGEFOD	194
KONTROL OG UDSKIFTNING AF SUGEFODSBLAD	194
TANK- OG VAKUUMGITTER MED FLYDERENSNING OG LÅGPAKNINGSKONTROL	195
SIKRINGSKONTROL/UDSKIFTNING.....	196
TILBEHØR/VALGMULIGHEDER.....	196
TROUBLESHOOTING	196
BORTSKAFFELSE	198

INTRODUKTION



BEMÆRK

Tallene i parentes henviser til komponenterne, som vist i kapitlet Maskinbeskrivelse.

MANUALENS INDHOLD OG FORMÅL

Formålet med denne Brugsanvisning er at give operatøren de nødvendige oplysninger for at kunne drive maskinen rigtigt og sikkert. Den indeholder oplysninger om tekniske data, sikkerhed, drift, opbevaring, vedligeholdelse, reservedele og hvordan maskinens afskaffes.

Inden der udføres en procedure på maskinen, skal selv operatører der er kvalificerede teknikere læse denne manual grundigt igennem. Kontakt vores servicecenter for eventuelle forespørgsler om denne manual, eller hvis der er behov for yderligere oplysninger.

Operatører må ikke udføre procedurer, der skal udføres af kvalificerede teknikere. vores firma vil ikke være ansvarlig for skader, der kommer fra den manglende overholdelse af dette forbud.

SÅDAN OPBEVARES DENNE MANUAL

Denne manual skal opbevares i nærheden af maskinen, i en passende beskyttelse, væk fra væsker og andre stoffer, der kan forårsage skader på den.

OVERENSSTEMMELSESERKLÆRING

Overensstemmelseserklæring leveres sammen med maskinen og certificerer at maskinen er i overensstemmelse med gældende lovgivning.



BEMÆRK

Kopierne af den oprindelige overensstemmelseserklæring leveres sammen med maskinens dokumentation.

TILBEHØR OG VEDLIGEHOLDELSE

Alle nødvendige procedurer angående drift, vedligeholdelse og reparation skal udføres af kvalificeret personale, eller af et servicecenter udnævnt af vores firma. KUN godkendte reservedele og tilbehør bør anvendes.

Kontakt vores firmas kundeservice for service eller køb af tilbehør eller reservedele om nødvendigt.

UDSKIFTNINGER OG FORBEDRINGER

Vi er forpligtede til løbende at forbedre vores produkter, og firmaet forbeholder sig ret til ændringer og forbedringer til maskinen uden yderligere information.

ANVENDELSESOMRÅDE

Gasvaskeren er anvendelig for kommerciel og industriel brug. Den er velegnet til rengøring af glatte og faste gulve, opereret af kvalificeret personale under sikre forhold. Den er ikke egnet til udendørs brug, tæpperensning eller brug på ikke-jævne gulve.

MASKINENS IDENTIFIKATIONSDATA

Maskinens serienummer og modelnavn er markeret på seriemærket.

Denne information er nyttig. Brug følgende tabel til at nedskrive maskinens identifikationsdata, i tilfælde af at der kræves reservedele til maskinen.

MASKINENS MODEL.....
MASKINENS SERIENUMMER.....

TRANSPORT OG UDPAKNING

Når fragtselskabet leverer maskinen, skal du sørge for at emballage og maskine er hele og ubeskadigede. Hvis nogen er beskadiget, skal fragtselskabet gøres opmærksom om skaden og du skal, før du accepterer varerne forbeholde dig ret til i erstatning af skaden.

Følg anvisningerne på pakningen strengt ved udpakning af maskinen.

Kontroller pakken for at sikre at følgende dele er inkluderet:

1. Teknisk dokumentation inkl. Brugerhåndbog og ombord-oplader, hvis ombord-oplader er med i udstyret.
2. Opladerledning, hvis ombord-oplader er med i udstyret.

SIKKERHED

Følgende symboler angiver potentielt farlige situationer. Læs altid denne information grundigt og træf alle nødvendige forholdsregler for at beskytte mennesker og ejendom.

SYMBOLER DER VISES I BRUGSVEJLEDNINGEN



FARE!

Det indikerer en farlig situation med risiko for død for operatøren.



ADVARSEL!

Det indikerer en potentiel risiko for skader på mennesker.



FORSIGTIGT!

Det indikerer en forsigtigsanmærkning eller en bemærkning relateret til vigtige eller nyttige funktioner. Vær opmærksom på de afsnit, der er markeret med dette symbol.



BEMÆRK

Den angiver en bemærkning om vigtige eller nyttige funktioner.



KONSULTATION

Det indikerer en nødvendighed af at henvise til brugsvejledningen, før du udfører nogen procedure.

GENERELLE SIKKERHEDSINSTRUKTIONER

Specifikke advarsler og forholdsregler for at informere om potentielle skader på mennesker og maskine er vist nedenfor.



FARE!

- Denne maskine skal betjenes af uddannet og autoriseret personale i henhold til brugsvejledningen.
- Før du udfører rengøring, vedligeholdelse, reparation eller udskiftning procedure, skal du læse alle instruktionerne grundigt, sørge for at slukke for maskinen og afbryde batteristikket.
- Brug ikke maskinen i nærheden af giftige, farlige, brændbare og/eller eksplosive pulver, væsker eller dampe. Denne maskine er ikke egnet til opsamling af farlige pulvere.
- Bær ikke smykker, når der arbejdes i nærheden af elektriske komponenter.
- Arbejd ikke under den løftede maskine uden at understøtte den med sikkerhedsstativ.
- Når du bruger bly (WET) batterier, kan de udsende brændbar gas under normal brug, du skal holde gnister, flammer, rygende materialer og udstrålende, lysende og brændende genstande væk fra batterierne.
- Ved opladning af bly (WET) batterier, kan de udsende brintgas, som kan forårsage eksplosioner. Du skal sikre dig at opladningsmiljøet er godt ventileret og væk fra åben ild.



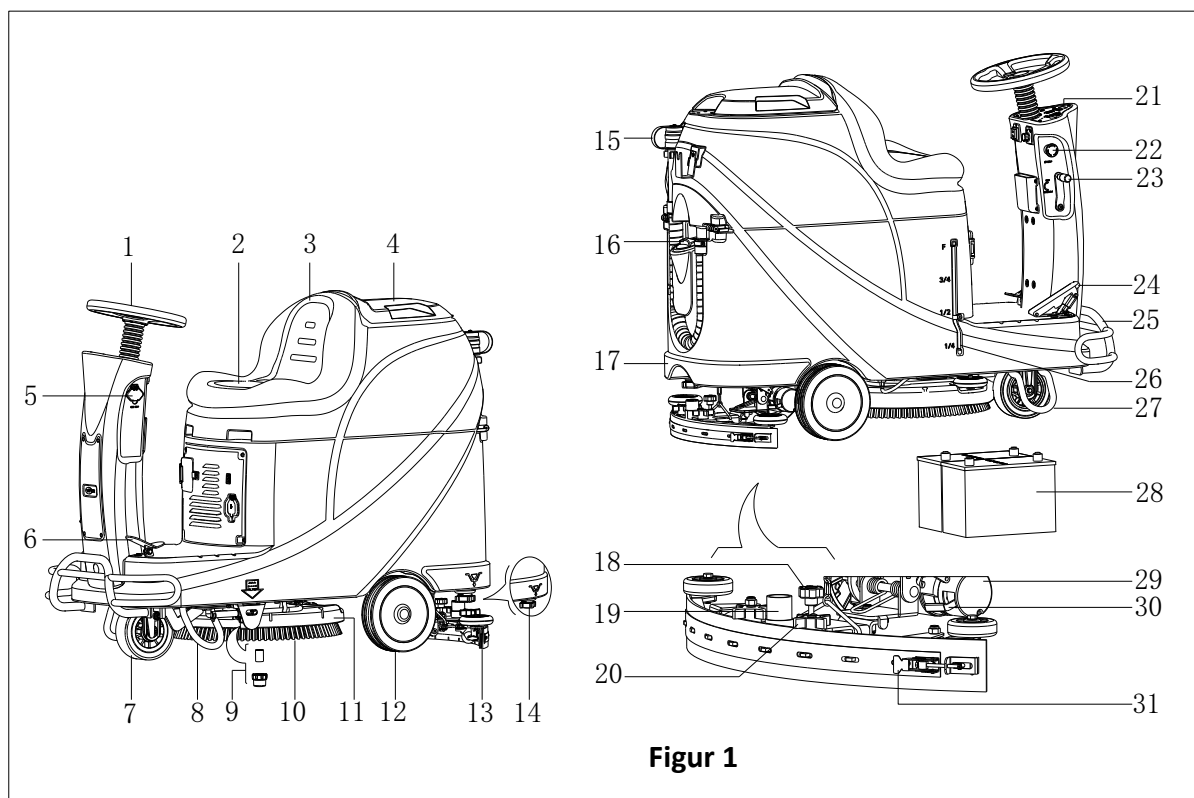
ADVARSEL!

- Kontroller maskinen omhyggeligt inden brug. Sørg for, at alle komponenter er blevet godt samlet, før brug. Ellers kan det forårsage skader på mennesker og ejendomme.

- Før du bruger batteriopladeren, skal du sikre, at værdierne for frekvens og spænding, der er angivet på maskinens serienummer er de samme som lysnettet.
- Flyt aldrig maskinen ved at trække i batteriopladerkablet. Lad ikke kablet køre gennem en lukket dør, eller omkring skarpe kanter eller hjørner. Køb ikke maskinen over batteriopladerkablet. Hold batteriopladerkablet væk fra varme overflader.
Oplad ikke batterierne, hvis batteriopladerkablet eller stikket er beskadiget.
- For at reducere risikoen for brand, elektrisk stød eller personskade, sørg for at maskine er slukket, inden den forlades.
- Brug eller opbevar maskinen indendørs under tørre forhold, den må ikke bruges til udendørs brug.
- Maskinens opbevarings- og arbejdstemperatur skal være mellem 0 ° C og 40 ° C, luftfugtigheden skal være mellem 30 % - 95 %.
- Maskinen må ikke bruges på skråninger med en stigningsgrad på over de viste specifikationer.
- Når du bruger og håndterer gulvrengringsmidler, følg instruktionerne på etiketterne på flasker og bær egnede beskyttelseshandsker og beskyttelsestøj.
- Brug børster og rondeller der leveres med maskinen eller som defineret i manualen. Brug af andre børster eller rondeller kan reducere sikkerheden.
- I tilfælde af funktionsfejl i maskinen, skal du sørge for, at disse ikke er på grund af manglende vedligeholdelse. Hvis det er nødvendigt, anmod om assistance fra autoriseret personale eller fra et autoriseret servicecenter.
- Tag alle nødvendige forholdsregler for at forhindre at hår, smykker og løse klæder bliver fanget af maskinens bevægelige dele.
- Maskinen må ikke anvendes i særligt støvede områder.
- Vask ikke maskinen med direkte eller højtryks stråler, eller ætsende stoffer.
- Undgå at støde ind i hylder eller stilladser, især hvor der er risiko for nedfaldende genstande.
- Du må ikke læne væskebeholdere op ad maskinen, du skal bruge den relevante holder.
- For at undgå at beskadige gulvet, er det ikke tilladt at børste/ rondeller arbejder mens maskinen holder stille.
- I tilfælde af brand, skal du bruge en tørpulver brandslukker. Brug ikke flydende brandslukkere.
- Du må ikke fjerne eller ændre maskinens klistermærker.
- Du må ikke pille ved maskinens sikkerhedsvagter og skal følge de almindelige vedligeholdelsesinstruktioner omhyggeligt.
- Vær opmærksom på maskinens transport, når temperaturen er under frysepunktet. Vandet i genindvindingsstanken og i slangerne kan fryse og forårsage alvorlig skade på maskinen.
- Hvis reservedele skal udskiftes, skal du bestille ORIGINALE reservedele fra en autoriseret forhandler.
- Send maskinen til servicecenteret, hvis den ikke virker som sædvanlig, eller den er beskadiget, placeret udendørs, faldt i vandet.
- For at sikre korrekt og sikker drift af maskinen, skal planlagt vedligeholdelse som vist i det relevante kapitel i denne manual, udføres af autoriseret personale eller et autoriseret servicecenter.
- Maskinen skal bortskaffes korrekt, fordi tilstedeværelsen af giftige-skadelige materialer (batterier, osv.), der er underlagt standarder, der kræver bortskaffelse i særlige centre (se kapitlet Bortskaffelse).
- Denne maskine er et rengøringsværktøj, og er ikke beregnet til noget anden brugsformål.
- Hold altid åbningerne fri for støv, hår og enhver anden fremmed materiale, som kan reducere luftstrømmen. Maskinen må ikke anvendes, hvis åbningerne er tilstoppede.
- Brug kun maskinen, hvor en ordentlig belysning er til rådighed.
- Denne maskine er ikke beregnet til brug for personer med nedsat fysisk, sensorisk eller psykisk funktionsevne, eller manglende erfaring og viden, medmindre de er blevet vejledt eller instrueret i brugen af maskinen af en person, der er ansvarlig for deres sikkerhed.
- Opmærksomhed er nødvendig, når den anvendes i nærheden af børn.
- Børn skal være under opsyn for at sikre, at de ikke leger med maskinen.
- Mens du bruger denne maskine, skal du passe på ikke at forårsage skade på personer eller genstande.

MASKINBESKRIVELSE

MASKINSTRUKTUR (som vist i Figur 1)

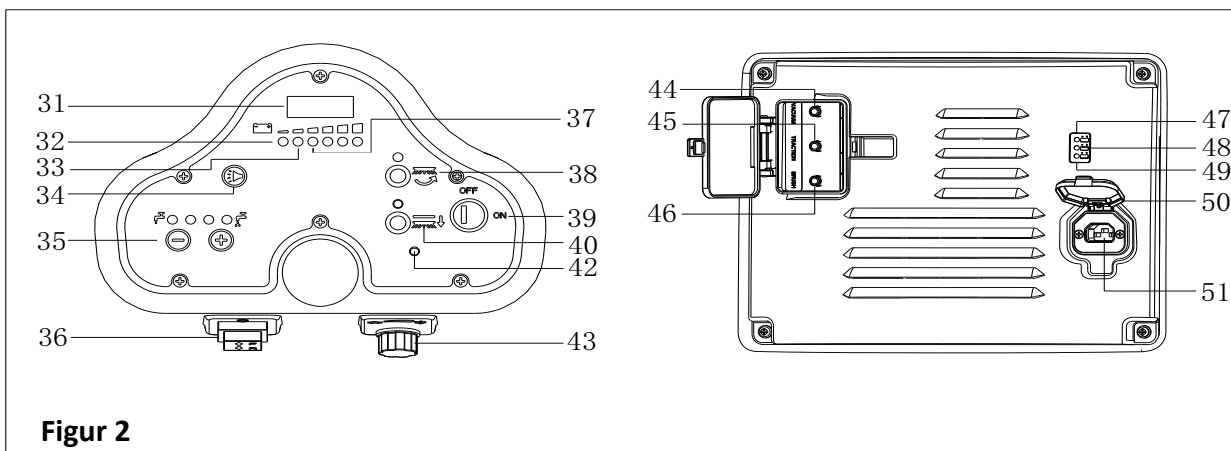


Figur 1

- | | |
|-----------------------------|------------------------------------|
| 1. Styr | 17. Opløsningstank |
| 2. Sædepude | 18. Justeringsknop til svaber |
| 3. Genvindingstank | 19. Vakuumslange |
| 4. Låg på genvindingstank | 20. Svaberknop |
| 5. USB opladnings-port | 21. Kontrolpanel |
| 6. Pedal | 22. Nødknop |
| 7. Forhjul | 23. Squeegee løfte-/sænkingsstang |
| 8. Venstre støttebøjle | 24. Accelerationspedal |
| 9. Opløsningsfilter | 25. Støddæmper for |
| 10. Børste | 26. Indikator til opløsningsniveau |
| 11. Børsteholder | 27. Højre støttebøjle |
| 12. Baghjul | 28. Batteri |
| 13. Svabersamling | 29. Køremotor |
| 14. Låg opløsningsudledning | 30. Bøjle til bremseklods |
| 15. Slange til spildevand | 31. Svaberkrog |
| 16. Låg vandindtag | |

MASKINBESKRIVELSE

KONTROLPANEL (som vist i Figur 2)



Figur 2

- | | |
|---|---|
| 31. LED SKÆRM | 42. Problemlys for køremotor |
| 32. Advarselslys for afladet batteri (Rødt) | 43. Knap hastighedsjustering |
| 33. Indikator for halvafladet batteri (Gul) | 44. Overlastbeskytter for vakuummotor |
| 34. Hornknap | 45. Overlastbeskytter for køremotor |
| 35. Justeringsknap for opløsningsmængde | 46. Overlastbeskytter for børstemotor |
| 36. Kontakt forlæns-baglæns | 47. Indikator for fuldt opladt batteri (Grøn) |
| 37. Indikator for afladet batteri (grøn) | 48. Indikator for halvopladt batteri (Gul) |
| 38. Børsteknap | 49. Indikator for batteriopladning (Rød) |
| 39. Nøglekontakt | 50. Låg til opladerstik |
| 40. Aftagningsknap til børste | 51. Opladerstik |

LEDSKÆRMS DISPLAYINFORMATION

STOP– Maskinen kan ikke bevæge sig, børstemotor standser med at arbejde, men vakuummotorkan arbejde

(00012.3) – Totale arbejdstimer er 12,3 timer

L0-(18) – Batterispænding er lavere end 18V

U-(25.5) – Batterispænding er 25,5V

ERR-01 – Svaber er ikke løftet, når maskine vender baglæns

DISPLAYVINDUE MED OPLADER INDIKATIONS LYS (som vist i Figur 2)

1. Ved begyndelsen af opladningen, den røde LED (49) på opladeren er normalt tændt. Det er første stadie af opladning.
2. Efter opladning i nogen tid slår det røde LED (49) på opladeren fra, det gule LED (48) tændes. Dette er andet stadie af opladning.
3. Når opladningen er afsluttet, slår det gule LED (48) fra, det grønne LED (47) tændes for at vise, at batteriet er helt opladt.



BEMÆRK

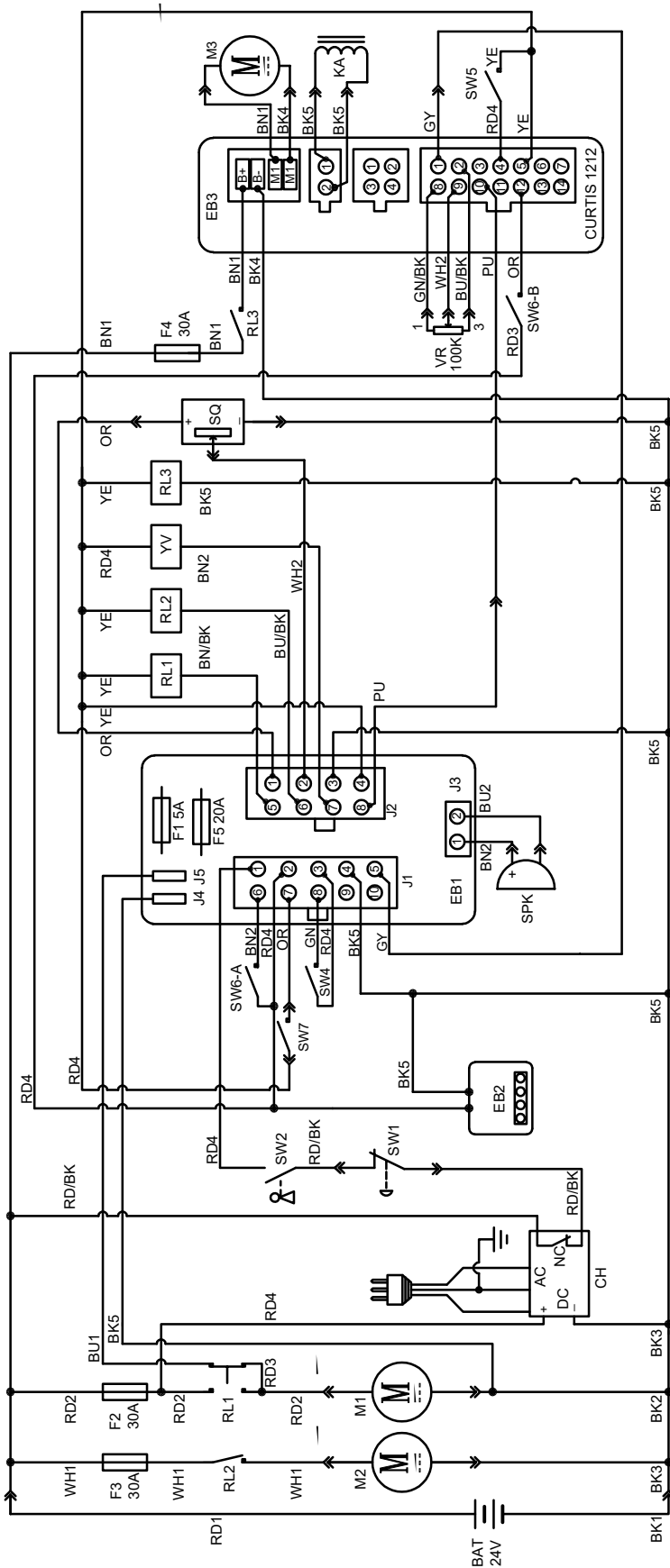
Hvis det gule lys (48) er slået til under opladningsprocessen, kan det skyldes at: Batteriet og opladeren ikke passer sammen, batteriet ikkeer godt tilsluttet eller output er kortsluttet.

Opladerens røde lys, der lyser, kan være forårsaget af kortslutning internt af opladeren.

TEKNISKE PARAMETRE

MODEL	AS530R	
Pakkedimensioner (L x B x H)	mm	1470*730*1310
Maskinhøjde	mm	1120
Maskinlængde	mm	1360
Maskinbredde (uden sugefod)	mm	580
Maskinvægt med tomme tanke (uden batterier)	Kg	140
Brutto køretøjsvægt (GVW)	Kg	270
Shipping-vægt	Kg	245
Kapacitet opløsningstank	Liter	72
Kapacitet genvindingstank Retancapacity	Liter	73
Vakuummotorkraft	Watt	400
Vakuumkanapacitet	mm H ₂ O	1223
Opstigningskapacitet (Maks)	%	10
Forhjulsdiameter	mm	φ175
Baghjulsdiameter	mm	φ230
Lydniveau	dB(A)	69
Flow for opløsning /vand	L/min	0,84-2,0
Arbejdsbredde	mm	530
Sugefodsbredde	mm	730
Børste-/pudediameter	mm	530
Børstemotorkraft	Watt	450
Børstehastighed	Rpm	160
Børste-/pudetryk (Maks)	Kg	23
Køremotorkraft	Watt	300W
Arbejdshastighed	Km/t	5.5km/h
Spænding	V	24V
Batteri (valgfrit)	Ah	2x100AH (20 timer)
Batterioplader (valgfrit)	V/A	24V 10A
Batterirums størrelse (L x B x H)	mm	350*380*300
USB oplader-specifikation	V/A	5V, 0,8A

KREDSLØBSDIAGRAM



WIRE ROD		WIRE ROD	
RD1	RED/6AWG	BN/BK	BROWN/BLACK / 20AWG
RD2	RED/10AWG	BU1	BLUE/18AWG
RD3	RED/18AWG	BU2	BLUE/20AWG
RD4	RED/20AWG	BU/BK	BLUE/BLACK / 20AWG
RD/BK	RED/BLACK / 20AWG	GN	GREEN/20AWG
BK1	BLACK/6AWG	GN/BK	GREEN/BLACK /20AWG
BK2	BLACK/10AWG	GY	GRAY/20AWG
BK3	BLACK/12AWG	PU	PURPLE/20AWG
BK4	BLACK/14AWG	OR	ORANGE/20AWG
BK5	BLACK/18AWG	YE	YELLOW/20AWG
BN1	BROWN/14AWG	WH1	WHITE/12AWG
BN2	BROWN/20AWG	WH2	WHITE/20AWG

COMPONENTS		COMPONENTS	
BAT	24V BATTERIES	KA	BRAKE
CH	BATTERY CHARGER	M1	BRUSH MOTOR
EB1	CONTROL PANEL BOARD	M2	VACUUM MOTOR
EB2	USB CHARGING ELECTRONIC BOARD	M3	DRIVE MOTOR
EB3	DRIVE ELECTRONIC BOARD	SW1	EMERGENCY-STOP SWITCH
RL1	BRUSH MOEOR ELECTROM SWITCH	SW2	KEY SWITCH
RL2	VACUUM MOEOR ELECTROM SWITCH	SW4	VACUUM MOTOR SWITCH
RL3	DRIVE SYSTEM ELECTROM SWITCH	SW5	OPTIONAL MODE SWITCH
YV	WATER ELECTROVALVE	SW6-A	OPTIONAL REVERSE SWITCH
F1	CONTROL PANEL BOARD FUSE	SW6-B	OPTIONAL REVERSE SWITCH
F2	BRUSH MOTOR CIRCUIT BREAKER	SW7	SEAT SWITCH
F3	VACUUM MOTOR CIRCUIT BREAKER	SQ	FOOT THROTTLE
F4	DRIVE SYSTEM CIRCUIT BREAKER	SPK	12VDC BUZZER
F5	BRUSH RELEASE FUSE	VR	SPEED POTENTIOMETER

KOMPONENTER		KOMPONENTER	
BAT	24V BATTERIER	M1	BØRSTEMOTOR
CH	BATTERIPLADER	M2	VAKUUMMOTOR
EB1	KONTROLPANELBRÆT	M3	KØREMOTOR
EB2	USB OPLADNING ELEKTRONIK	SW1	KONTAKT NØDSTOP
EB3	KØRE ELEKTRONISK BRÆT	SW2	NØGLEKONTAKT
RL1	BØRSTEMOTOR ELEKTRONISK KONTAKT		
RL2	VAKUUMMOTOR ELEKTRONISK KONTAKT	SW4	VAKUUMMOTOR KONTAKT
RL3	KØRESYSTEM ELEKTRONISK KONTAKT	SW5	VALGFRI MODUSKONTAKT
YV	VAND ELEKTROVENTIL	SW6-A	VALGFRI TILBAGE-KONTAKT
F1	KONTROLPANELBRÆT SIKRING	SW6-B	VALGFRI TILBAGE-KONTAKT
F2	BØRSTEMOTOR KREDSLØSBRYDER	SW7	SÆDEKONTAKT
F3	VAKUUMMOTOR KREDSLØSBRYDER	SQ	FODGAS
F4	KØRESYSTEM KREDSLØSBRYDER	SPK	12VDC SUMMER
F5	BØRSTE UDØSNINGSSIKRING	VR	HASTIGHEDSPOTENTIOMETER
KA	BREMSE		

TRÅDSTANG		TRÅDSTANG	
RD1	RØD/6AWG	BN/BK	BRUN/SORT / 20AWG
RD2	RØD/10AWG	BU1	BLÅ/18AWG
RD3	RØD/18AWG	BU2	BLÅ/20AWG
RD4	RØD/20AWG	BU/BK	BLÅ/SORT/20 AWG
RD/BK	RØD/SORT/20AWG	GN	GRØN/20AWG
BK1	SORT/6AWG	GN/BK	GRØN/SORT/20AWG
BK2	SORT/10AWG	GY	GRÅ/20AWG
BK3	SORT/12AWG	PU	VIOLET/20AWG
BK4	SORT/14AWG	OR	ORANGE/20AWG
BK5	SORT/18AWG	YE	GUL/20AWG
BN1	BRUN/14AWG	WH1	HVID/12 AWG
BN2	BRUN/20AWG	WH2	HVID/20AWG

BRUGSANVISNING



ADVARSEL!

Læg godt mærke til disse symboler i denne manual:

- FARE!
- ADVARSEL!
- FORSIGTIGT!
- KONSULTATION

Dæk aldrig disse symboler på maskinen af nogen grund, udskift dem med det samme, hvis der er skade på dem.

INSTALLERING OG OPSÆTNING AF NYT MASKINBATTERI



ADVARSEL!

De elektriske komponenter i maskinen kan blive alvorligt beskadiget, hvis batterierne enten er forkert installeret eller tilsluttet.

Batterierne skal være installeret af kvalificeret personale. Indstil batteriopladeren (valgfrit) og maskine PCBA efter batteritype. Indstil batteriopladeren (WET eller GEL/AGM).

Kontroller batterierne for skade inden installation.

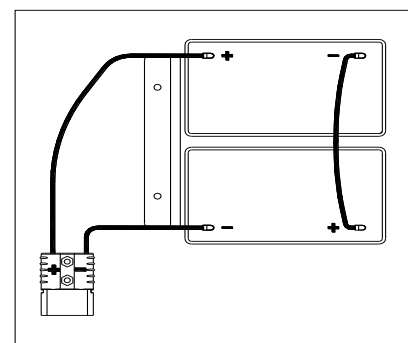
Afbryd batteristikket og batteriopladerstikket.

Håndtér batterierne meget forsigtigt.



BEMÆRK

Maskinen kræver to 12V batterier, der forbinder i overensstemmelse med Figur 3.



Figur 3

Maskinen kan bruges i en af følgende batterimodi:

A) WET eller GEL/AGM batterier er allerede installeret og parat til at blive brugt

1. Kontroller batterierne og forbind batteristikket til maskinen.
2. Indsæt nøglekontakten (40) og drej til "til". Hvis det grønne lys (37) tændes, er batterierne fuldt opladte til brug. Hvis det gule eller røde lys (33 eller 32) tændes, skal batterierne oplades.

B) Uden batterier

1. Hvis din maskine ikke er udstyret med batterier, så køb passende batterier (Se Det tekniske dataafsnit). Henvend dig til kvalificerede batteriforhandlere med hensyn til batterivalg og -installation.
2. Når batterierne er parate, så indstil maskinen og batteriopladeren i overensstemmelse til typen af installeret batterier. Følg derefter procedurerne, der er vist i næste afnit.

BATTERINSTALLATION OG INDSTILLING AF BATTERITYPE (VÅD ELLER GEL/ AGM)

Indstil det elektroniske kredsløbsbræt til maskinen og batteriopladeren efter batteritype (WET eller GEL/AGM), idet du følger trinene nedenfor:



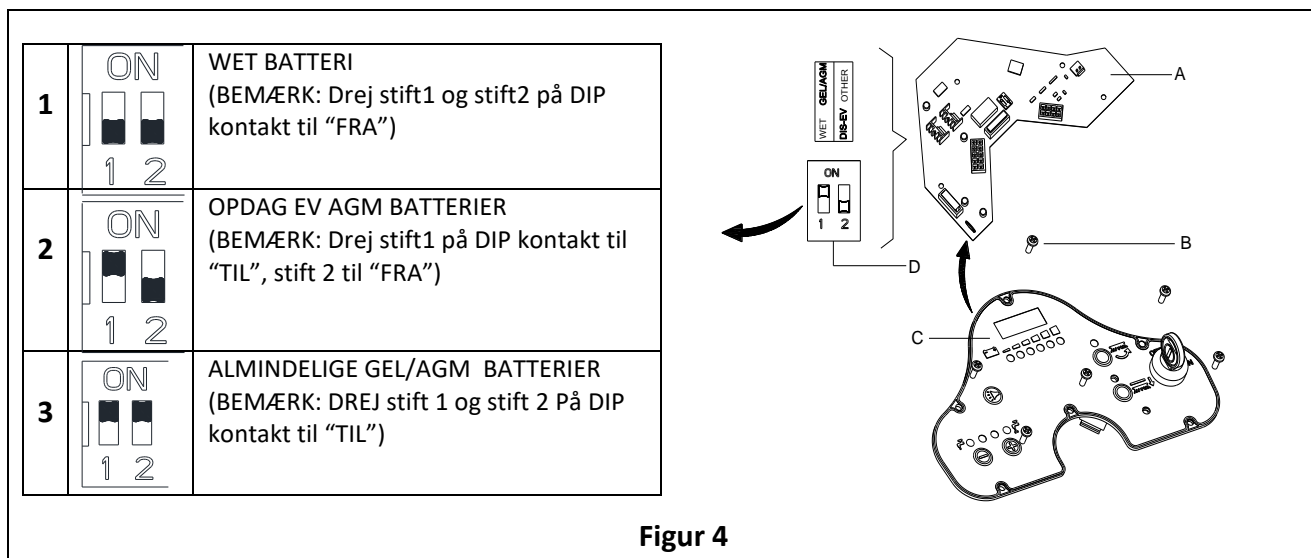
BEMÆRK

Når nye batterier installeres, så følg Figur 4 for at indstille DIP kontakt, eller batterierne kan blive beskadiget af forkert indstilling.

Maskinindstilling

1. Indsæt nøglekontakt (40), og drej til "TIL", vær opmærksom på nedenstående i de første sekunder af maskinstarten:
 - Hvis det grønne lys (37) lyser, er maskinen sat op til at bruge GEL/AGM batterier.
 - Hvis det gule lys (33) lyser, er maskinen sat op til at bruge Discover EV AGM batterier.
 - Hvis det røde lys (32) lyser, er maskinen sat op til at bruge WET batterier.
2. Følg trinene nedenfor for at ændre maskinindstillingerne.
3. Fabriksindstilling af maskinen er at bruge Discover EV AGM batterier. Hvis indstillingen svarer til de valgte batterier, så gå til trin 6 straks, eller følg næste trin.

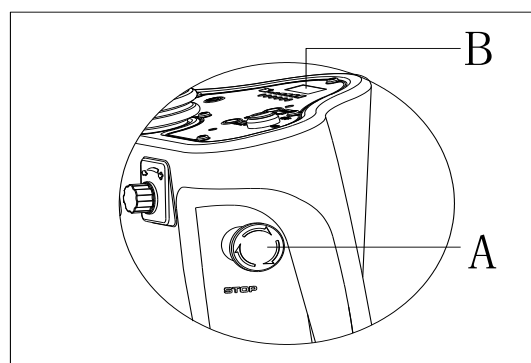
- Skru skruen (B, Figur4) på kontrolpanelet af, så vend PCBA (A) på kontrolpanelet for at finde DIP kontakten (D), følg Figur 4 for DIP indstillinger.
- Udfør trin omvendt iforhold til, når der skilles ad, for at ordne kontrolpanelet og låse skruen efter, at indstillingen er foretaget.



Figur 4

Batteriinstallation

- Åbn dækket til genvindingstanken (4) og kontroller, at genvindingstanken (3) er tom; tøm den ellers med dræneslangen (15).
- Luk dækket til genvindingstanken (4).
- Vend forsigtigt genvindingstanken (3).
- Maskinen er forsynet med ledninger, der passer til at installere 2X12V batterier. Læg forsigtigt batterierne ind i aflukket, og installer dem så korrekt.
- Forbind og installer batteriledningen som vist i (Figur 3), og stram så forsigtigt møtrikken på hver batteriterminal.
- Placer beskyttelsesafslutningen på hver terminal, og forbind så batteristik.
- Sænk forsigtigt genopfyldningstanken (3).



Figur 5

Opladning af batterierne

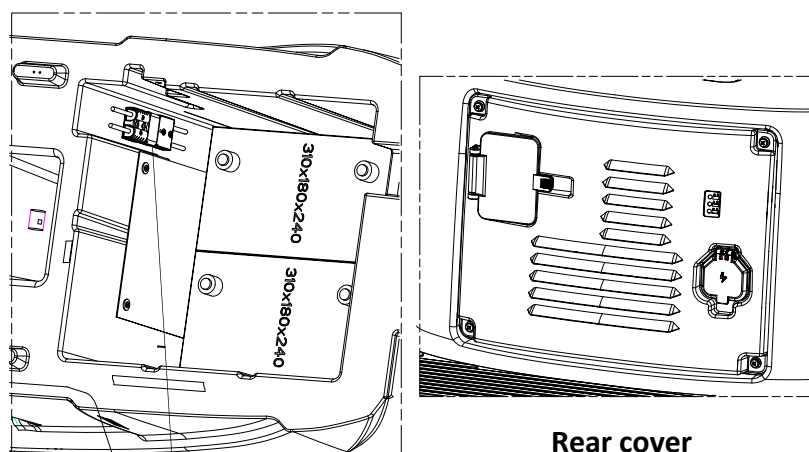
- Opladning af batterierne [Se VEDLIGEHOJDELSE-kapitler].

Indstilling af batterioplader (kun for maskiner med indbygget batterioplader)

Batterioplader

Batteriopladeren er placeret inde i bagdækslet og direkte forbundet til batterierne. Opladeren er styret af en mikroprocessor og bruger forskellige opladningskurver, for at de forskellige batterityper præsterer optimalt.

- Frakobl kabelstikket, der fører hen til batterierne.
- Fjern bagdækslerne.
- Fjern de 4 skruer (B), og fjern opladeren (A).



Disconnect the connector

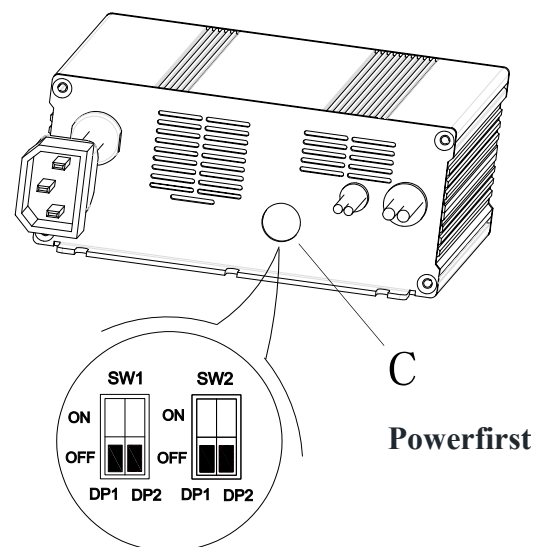
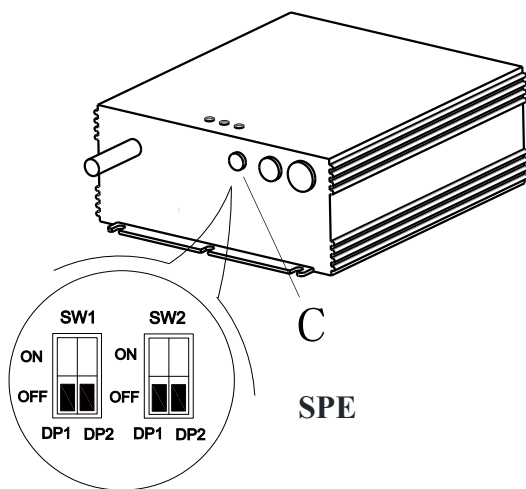
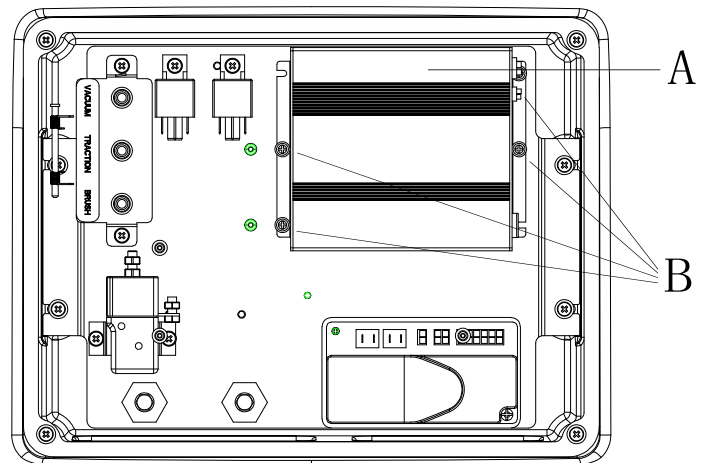
Rear cover

Batteritypens DIP-Switches

Opladerens funktion er styret af 4 DIP-switches (2-par) inden i bagdækslet. De andre 2 kontakter må aldrig berøres, med mindre opladeren er blevet udskiftet, og deres position skal bekræftes. Indstil batterispændingen (24V) og maksimum strømstyrke (10A). Den skal altid være i Fra-positionen.

De første 2 kontakter er tilgængelige igennem et plastikstik uden at åbne opladeren. Disse kontakter indstiller den bestemte opladningskurve, der bruges til hver batteritype. Kurvetypen betyder den måde (og størrelsesorden) hvormed strøm og spænding anvendes på batteriet, under dets faser i opladningscyklussen.

1. Fjern plastikstikket, der dækker DIP-switchens adgangshul (C).
2. Indstil de første 2 DIP-switches (SW1) ifølge datatabellen herunder.
3. Udskift plastikstikket.



Curve/Battery Type	SW1		SW2	
	D1	D2	D1	D2
IUIa Wet	On	Off		
IUIa Gel Exide	Off	Off	Off	Off
IUoU AGM	Off	On		
IUIa AGM Discover	On	On		

Curve/Battery Type	SW1		SW2	
	D1	D2	D1	D2
IUIa Wet	On	Off		
IUIa Gel Exide	Off	Off	Off	Off
IUIa AGM	Off	On		
IUIa AGM Discover	On	On		

NØ DOPBREMSNING

Hvis der forekommer noget nødstilfælde under brugen af maskinen, så tryk på nødkontakten (A, Figur 5), så vil alle maskinens funktioner standse, der er ikke noget display på kontrolpanelet (B, Figur 5)

BØRSTE/PUDEINSTALLATION OG AFINSTALLATION



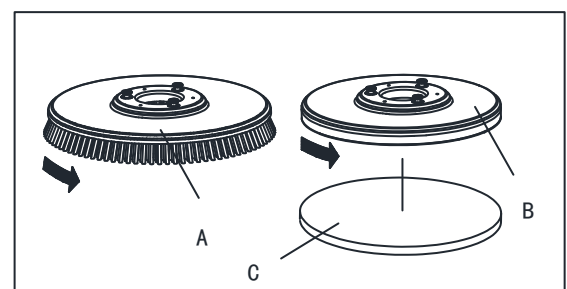
BEMÆRK

Installer passende børste (A, Figur 6) eller pude (B og C, Figur 6) efter gulvtypen, der skal rengøres.



OBS

Inden installation eller afinstallation af børste eller pude, så sørg for, at alle kontakter på maskinen er i fra-stilling samt løft svaberen op fra gulvet. Brugeren skal være udstyret med passende personlig beskyttelsesanordninger såsom handsker for at formindske risikoen for ulykker. Gå frem på følgende måde:



Figur 6

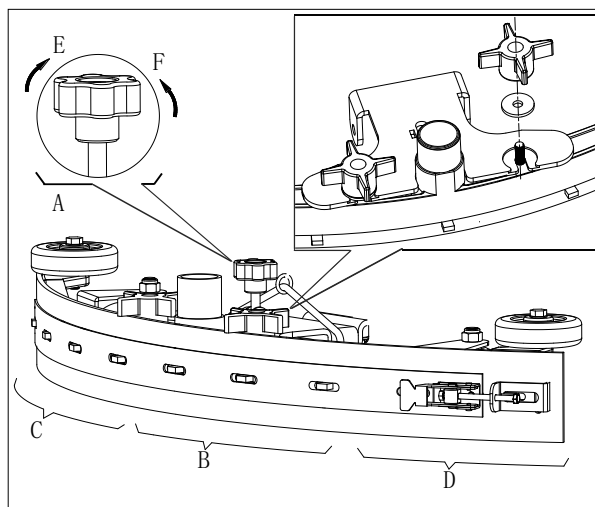
1. Isæt nøgle i kontakt (40) og drej til "TIL".
2. Tryk pedalen (6) frem med foden for at løft børstesamlingen (11) fra gulvet.
3. Drej hastigheds-justeringsknappen (42) mod uret så langt som muligt.
4. Placer børsten (A, Figur 5) eller puden (B, Figur 5) i midten justeret med børsteholder.
5. Tryk pedalen (6) baglæns med foden for at sænke børstesamlingen (11). Sæt dig på sædet, tryk på børsteknappen (39), og tryk pedalen (23) let ned, børsten/puden kan samles automatisk. Gentag disse trin, indtil børsten/puden er installeret.
6. Tag børsten/puden manuelt ned, hvis det ikke lykkes i trin 5 at installere børsten/puden.
7. Tryk pedalen (6) frem med foden for at løfte børstesamlingen (11) fra gulvet, tryk på fjern-børste-knappen (41) for at afinstallere den automatisk.

**OBS!**

Drej hastigheds-justeringsknappen (42) til minimal hastighed, inden accelerationspedalen (6) trykkes ned for at undgå, at maskinen kører for hurtigt, når den er startet. Sørg for, at børste/pude er installeret korrekt inden brug af maskinen.

JUSTERING AF GUMMISKRABENS BALANCE

1. Installer svaberen (13), og fastgør svaberknappen (20), forbind derefter vakuumslangen (19) til svaberen.
2. Juster gummiskraberen ved justeringshåndtaget (A, Figur 7).
 - a) Hvis der er mellemrum mellem jorden og midterste del af bagerste gummiskraberblad (B), juster knappen (A) i mod uret (F), indtil alle afsnit af bagerste gummiskraberblad god kontakt med jorden, den forreste klinge røre jorden en anelse.
 - b) Hvis der er mellemrum mellem jorden og begge ende del af bagerste klinge (C og D), juster knappen (A) i urets retning (E), indtil alle afsnit af bagerste klinge god kontakt med jorden, den forreste klinge røre jorden lidt.



Figur 7

PÅFYLDNING AF OPLØSNINGSTANK

1. Åbn låget til vandindtaget (E, Figur 8).
2. Påfyldning af vand eller opløsning, der passer til arbejdsydelse gennem vandindtag med filter.
Opløsnings temperaturen må ikke overstige +104F (+40°C).
3. Overfyld ikke tanken, se vandniveaus-viser (G) m.h.t. vandvolumen.

**ADVARSEL!**

Anvend kun vaskemidler med lidt skum, som ikke er antændelige, der er beregnet til automatiske scrubber applikationer.

Inspektion af køremotor

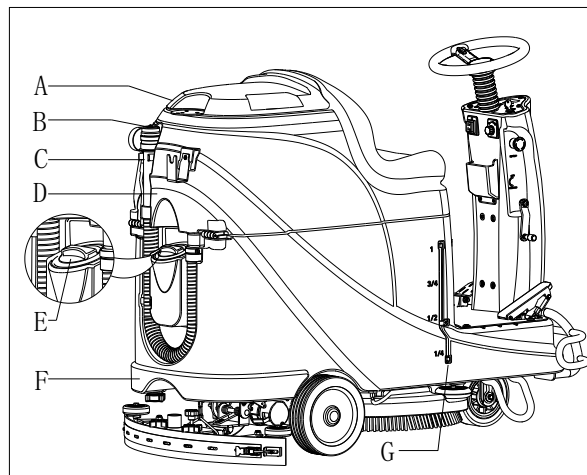
1. Drej nøglen i kontakt (A, Figur 9) til "TIL"
2. Tryk accelerationspedalen (C) let ned og let den for at kontrollere, om maskinen kan styres forlæns og stoppes.
3. Bekræft, om maskinen kan stoppes straks ved at trykke nødknappen (B) ned for at sikre sikkerheden. Drej nødknappen for at genindstille den.

**OBS**

Maskinens evne til at køre op må ikke overstige 10%.

**OBS**

Køremotorens bremse er fri, når motoren arbejder normalt. Den låser, når motoren ophører med at arbejde.



Figur 8

- Bremse fri -bremsehåndtaget (D, Figur 9) er oppe.
- Bremse låst –bremsehåndtaget er nede.
I nogle særlige tilfælde såsom indpakning / oppakning, maskinefejl, m.v., hvor man må flytte maskinen uden, at køremotoren er i gang, må man manuelt indstille bremsen til fri stilling for at kunne flytte maskinen.
For at undgå sikkerhedsrisiko, må man sørge for at indstille bremsen tilbage til låst stilling efter flytning af maskinen.

MASKINSTART OG -STOP

Start af maskinen

1. Forbered maskinen som vist i det tidligere afsnit.
2. Sid på sædet (L, Figur 10), sæt nøglen i kontakt (A), og drej den til "TIL". Hvis det grønne lys (C) er tændt, er batterierne fuldt opladte til brug. Hvis det gule lys (E) eller røde lys (D) er tændt, skal batterierne oplades inden brug. [Se VEDLIGEHOLDELSES-kapitlerne om opladning af batterier]
3. Sænk svabersamlingen til gulvet.



BEMÆRK

Sørg for, at svabersamlingen er løftet, inden maskinen styres baglæns, ellers stoppes maskinen, og LED skærmen vil vise "Fejl".

4. Sænk børstesamlingen til gulvet.



BEMÆRK

Sørg for at slå børsteknappen fra, inden børstesamlingen løftes, og løft børstesamlingen, inden maskinen styres forlæns/baglæns.

5. Tryk knappen (B) ned.
6. Tryk på accelerationspedalen (R), kør maskinen forlæns ved styret (N) sammen med forlæns-baglæns kontakten (H).
7. Juster opløsningsstrømmen ved hjælp af opløsningsjusteringsknappen (G), alt efter rengøringskrav.
8. Man kan oplade sin telefon eller pad gennem USB opladeport (M), når nøglekontakten (A) er drejet til "TIL".
9. Tryk på hornknappen (F) for at advare folk, når dette er nødvendigt.
10. Om nødvendigt, så tryk nødknappen til maskinnødstop ned.

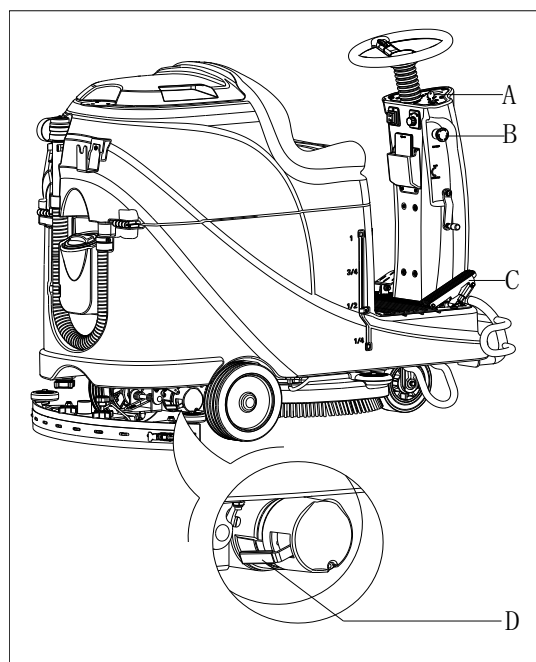


BEMÆRK

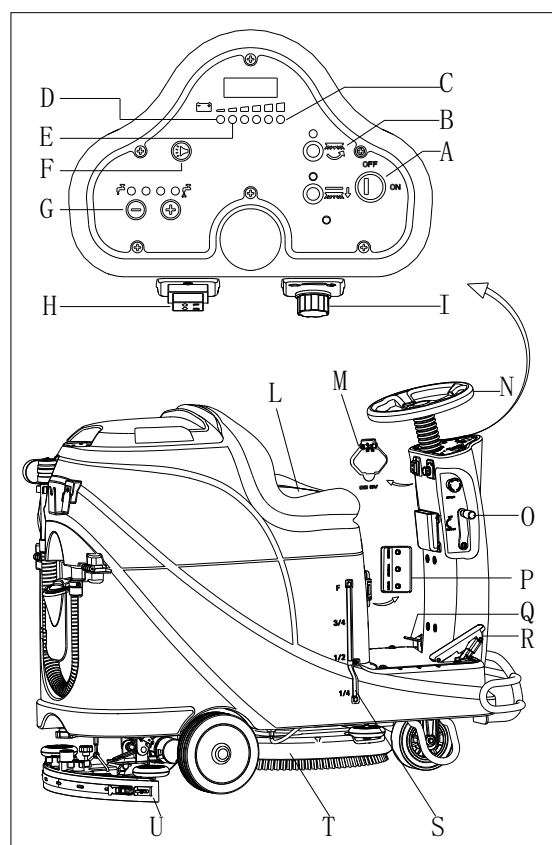
Børstemotoren, vakuummotoren, køremotoren og kontrolkredsløb er beskyttet af overlastbeskytteren (P). Når overlastbeskytteren slår til, så genindstil den ikke straks uden at finde ud af den grunlæggende årsag, og sikr dig, at motoren afkøler, inden den genindstilles.

Standingsning af maskinen

11. Løsn accelerationspedalen (R, Figur 10), maskinen ophører med at køre.
12. Tryk på børsteknappen (B) for at standse børstemotor.
13. Løft børstesamlingen (T) ved at trykke pedalen (Q) ned.
14. Løft svabersamlingen (U) ved svaberløftning/sænkning af løfteestang (O), og nogle få sekunder efter vil vakuumsystemet blive lukket.
15. Drej nøglekontakten til "FRA"
16. Sørg for, at maskinen standses.



Figur 9



Figur 10

MASKINENS BRUG (SKURING OG TØRRING)

1. Start maskinen i overensstemmelse med procedure i tidligere afsnit.
2. Start rengøringen ved at følge procedurer i delen "Start af maskinen".
3. Om nødvendigt, så stop maskinen for at justere svaberen i overensstemmelse med delen "Justering af svaberbalancen".



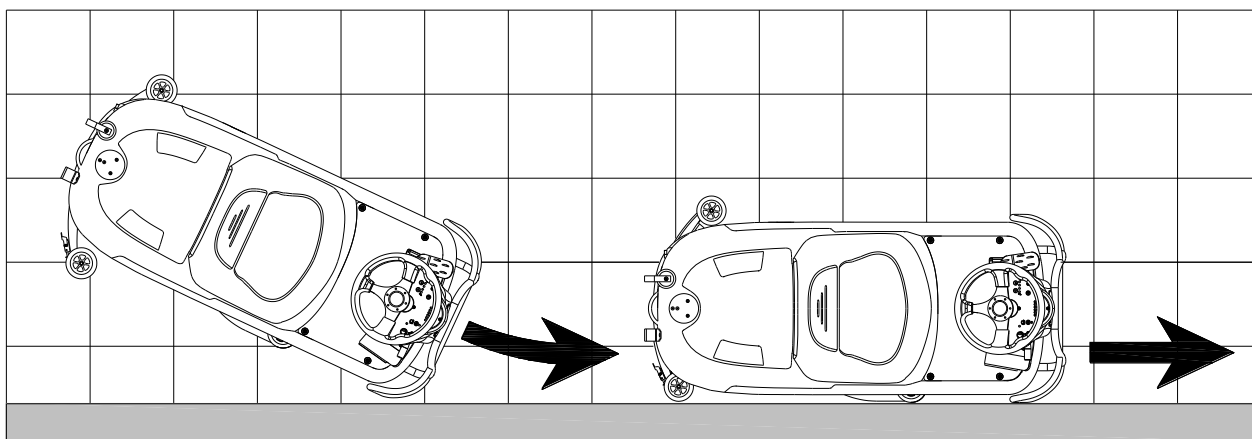
OBS!

Slå børste-/pudeholderen fra for at undgå nogen form for skade på gulv, når maskinen standser på et sted.



BEMÆRK

For korrekt skuring/tørring af gulve ved vægside foreslår vi, at man går tæt til væggene med højre side (Støddæmper hjulside) af maskinen som vist nedenfor i Figur 11.



Figur 11

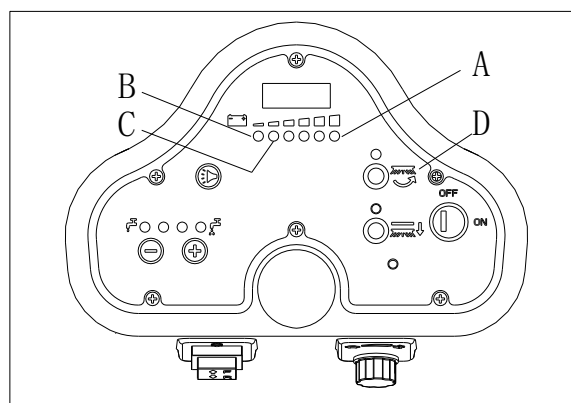
Batteriopladning under arbejde

Når et grønt lys (A, Figur 12) er tændt, har batterierne nok strøm til, at maskinen kan arbejde normalt. Når alle de grønne lyser til, er det gule lys (C, Figur 12) til, så er batteriernes strøm lav, så oplad batterierne. Når det røde lys (B, Figur 12) lyser, er batterierne udløbet, og vakuummotoren og børstemotoren bliver slukket automatisk med nogle få sekunders forsinkelse. Kør straks maskinen til opladning af batterierne.



OBS!

Anvend ikke maskinen, når batterierne er tomme, for at undgå skade på batterierne og forkortelse af deres funktionstid.



Figur 12

TØMNING AF TANK

Et automatisk flyder-lukkesystem (B, Figur 13) blokkerer vakuumsystemet, når genvindingstanken (C) er fuld. Deaktivering af vakuumsystemet vises ved en pludselig tiltagen i vakuummotor-systemets støjfrekvens, og gulvet er heller ikke blevet tørt.



OBS!

Hvis vakuumsystemet slår fra ved et uheld (for eksempel, når flyderen aktiveres p.g.a. en pludselig maskinbevægelse), så gør man flg. for at genoptage brugen: sluk for vakuumsystemet ved at trykke på kontakten (D, Figur 12), så åbner låget (A, Figur 11) og kontrollerer, at flyderen inden for gitteret (B) er gået ned til vandniveau. Luk så låget (A) og slå vakuumsystemet til ved at trykke på kontakten (D, Figur 12)

Når genvindingsvandtanken (C, Figur. 13) er fuld, så tøm den i overensstemmelse med følgende procedure.

Tømning af genvindingsvandtank

1. Stands maskinen.
2. Løft børste-/pudeholder-dækket (H, Figur.12) ved at trykke på pedalen (G).
3. Løft sugefod med håndtaget (H).
4. Kør maskinen til det udvalgte bortkastningsområde.
5. Tøm genvindingsvandtanken med slangen (D). Rengør så tanken med rent vand.



OBS!

Når man udleder spildevandet, skal slangen foldes (A, Figur 14) og lægges i lav position (B, Figur 14), inden man åbner låget til slangen. Lad ikke udgangen af bortledningsslangen være opad for at bortlede vand lodret for at undgå, at spildevand spildes på brugeren.

Tømning af opløsnings-/rent vands-tanken

6. Udfør trin 1 til 4 i kapitlet "Tømning af genvindingsvands-tank".
7. Tøm opløsnings-tanken gennem udledningslåg (A, Figur 15), og skyl tanken med rent vand.

EFTER BRUGEN AF MASKINEN

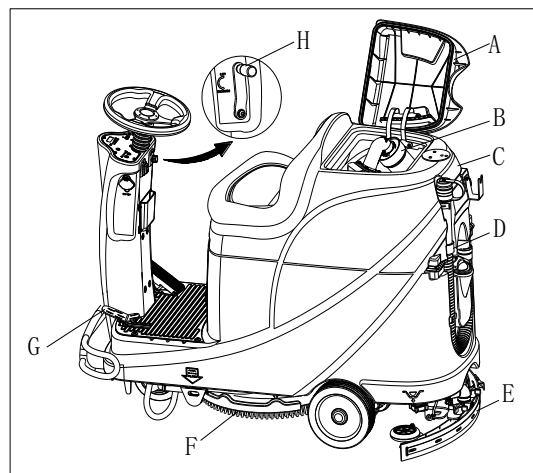
Inden maskinen forlades:

1. Fjern børsterne / pudeholderne.
2. Tøm tankene (B og C, Figur 15) som vist i det foregående afsnit.
3. Udfør de daglige vedligeholdelses procedurer (se vedligeholdelses kapitel).
4. Opbevar maskinen på et rent og tørt sted med børsterne / pudeholderne og sugefod løftede eller fjernede.

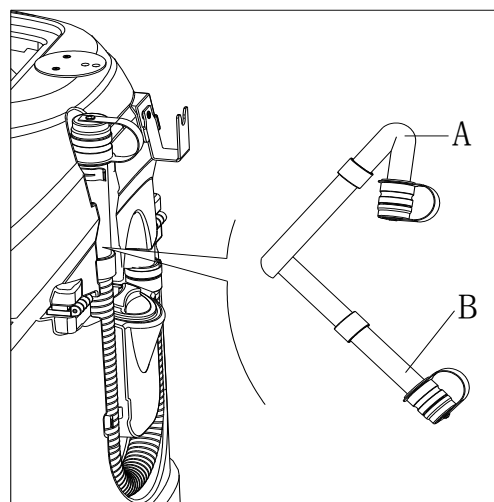
LANG INAKTIVITET FOR MASKINEN

Hvis maskinen ikke skal anvendes i mere end 30 dage, så gå frem således:

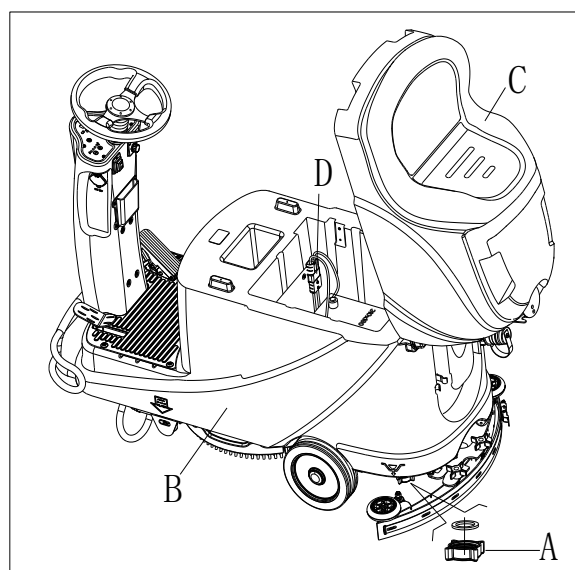
1. Udfør procedurerne vist i "EFTER BRUG AF MASKINEN"-afsnittet.
2. Afbryd batteristikket (D, Figur 15).



Figur 13



Figur 14



Figur 15

BRUG FØRSTE GANG

Efter at have brugt maskinen i ni timer første gang, så kontroller venligst, om der er nogen skade eller unormal situation, kontroller, om spænder eller tilbehør er løse.

VEDLIGEHOELDELSE



ADVARSEL!

Vedligeholdelsesprocedurer skal udføres, efter at maskinen er slukket, og batteriopladerkablet er frakoblet. Hertil skal du omhyggeligt læse kapitler med sikkerhedsforskrifterne i manualen.

Alle planlagte eller ekstraordinære vedligeholdelsesprocedurer skal udføres af kvalificeret personale eller et autoriseret servicecenter. Denne manual beskriver kun de generelle og almindelige vedligeholdelsesprocedurer.

For andre vedligeholdelsesprocedurer, der ikke er at finde i nedenstående vedligeholdelsestabel henvises der til Servicehåndbogen, der kan konsulteres på alle vores firmas servicecentre.

TABEL FOR PLANLAGT VEDLIGEHOELDELSE



FORSIGTIGT!

Proceduren markeret med (1) skal udføres når maskinen har været i brug i de første 9 timer.

Proceduren markeret med (2) skal udføres af et Servicecenter der er kvalificeret af vores firma.

Procedure	Dagligt, efter hver brug	Ugenligt	Halvårligt	Årligt
Opladning af batteri				
Rengøring af gummekraber				
Rengøring af børste-/ rondelholder				
Rengøring af tank				
Inspektion af af tankens forsegling				
Rengøring af flydeboldfilter				
Kontrol og erstatning af gummiskraberens klinge				
Rengøring af rentvandsfilter				
Rengøring af sugefilter				
Kontrol af væskniveau på WET-batteri				
Inspektion af skruer og møtrikker			(1)	
Kontrol og udskiftning af børste-/ rondelholder				(2)
Kontrol og udskiftning af sugemotor				(2)
Kontrol af køresystemmotors carbonbørste eller udskiftning (kun for maskine med traction)				(2)
Tilføj smørende olie til roterende dele			(1)	

BATTERIOPPLADNING



BEMÆRK

Oplad batterierne, når den gule LED (32) eller røde LED (33) er aktiveret, eller ved slutningen af hver arbejdsdag.



FORSIGTIGT

Hold altid batteriet i en fuldt opladet tilstand, det kan forlænge dets levetid.



FORSIGTIGT

Oplad batteriet så hurtigt som muligt, hvis batteriniveauet er lavt, ellers levetid batteriet kan reduceres. Det er bedre at kontrollere batteriet mindst en gang om ugen.

**OBS!**

Vær særlig omhyggelig, når batteriet oplades, fordi der kan være udløbet syre fra opladningsprocessen.

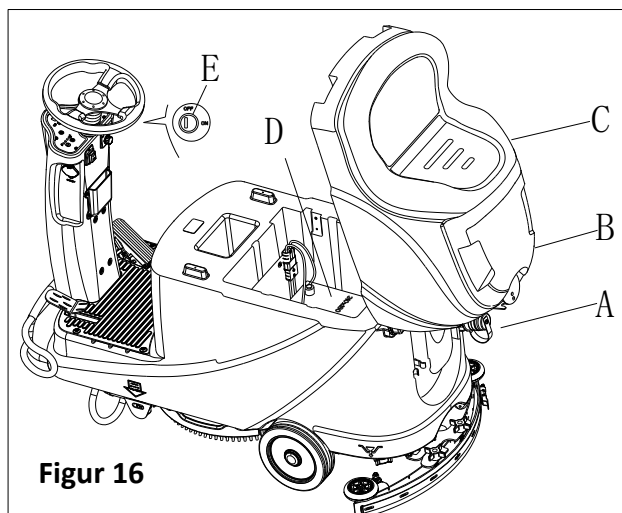
Batteriet er ætsende. Hvis det tilfældigt kommer i kontakt med hud eller øjne, så skyl straks med rigeligt rent vand, og konsulter læge.

Forberedelsestrinene til opladning af batterierne

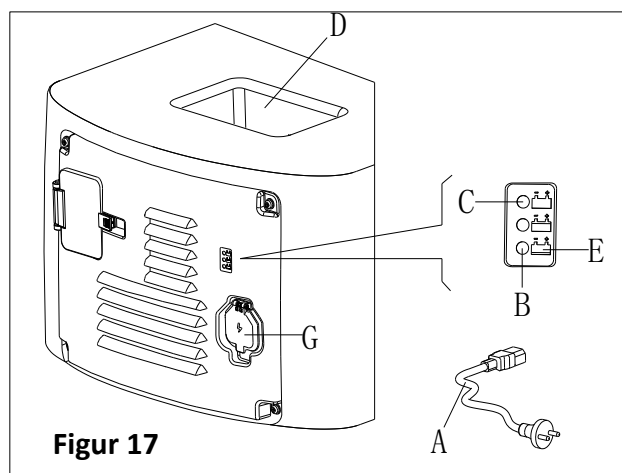
1. Åbn låg til genvindingstank (B, Figur 16) for at kontrollere, om genvindingstanken (C) er tom, eller tøm genvindingstanken gennem bortledningsslangen (A).
2. Kør maskinen til det udpegede opladningsområde.
3. Drej nøglekontakten til "FRA".
4. Dette trin kun til VÅDE batterier:
 - Rengør batterioverfladen om nødvendigt.
 - Kontroller batteri-elektrolytniveau (D). Om nødvendigt, så åbn låget til påfyldning af elektrolyt, og dæk igen.
 - Hold låget åbnet under opladning.
5. Vælg en af opladningsmodierne nedenfor baseret på den valgte opladertype.

Brug ombord-oplader til batteriopladning

6. Forbind batteriopladerledning (A, Figur 17) til den elektriske hovedledning (G), og så fungerer hele maskinen med undtagelse af, at opladning automatisk stoppes. Det normalt røde LED (B) siger, at maskinen er i opladningsprocessen.
7. Batterierne er fuldt opladte, når det grønne LED (C) tændes..
8. Afbryd opladningsledningen fra den elektriske hovedledning efter, at opladningen er afsluttet, og opbevar så ledningen til batteriopladeren i opbevaringsboksen (D).



Figur 16



Figur 17

**BEMÆRK**

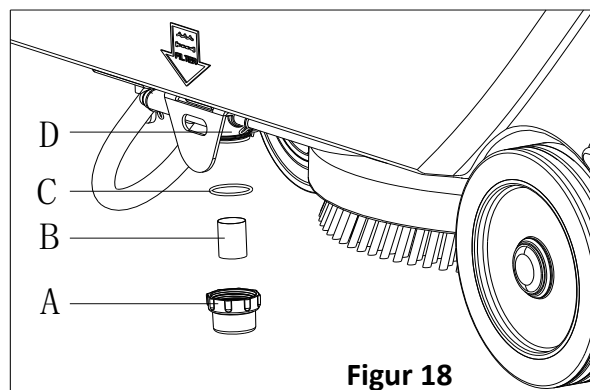
For videre information om ombord-oplader (E, Figur 17), bedes man se den relevante manual fra servicecentret.

BØRSTE-/ RONDRENGØRING

**FORSIGTIG!**

Det anbefales at gå med handsker, når man rengør børste-/ rondelholder, da den kan indeholde skarpe fragmenter.

1. Tag børste-/ rondelholder af basen efter proceduren i tidligere sektioner.
2. Rengør børste-/ rondelholder med brug af vand og sæbepulver.
3. Kontroller integriteten og slitaget på børsterne på børsten, og udskift om nødvendigt børsten.
4. Kontroller slitage-situationen på polérpuden, og udskift den om nødvendigt.



Figur 18

RENGØRING AF OPLØSNINGSFILTER

1. Kør maskinen til flad jord.
2. Sørg for, at maskinen er slået fra.
3. Tøm opløsningstanken (valgfrit trin).
4. Tag opløsningsfilter-låget af (A, Figur 18) for at rengøre filterskærmen (B), og sæt dem så tilbage til filterstøtten (D).



BEMÆRK

Filterskærmen (B) skal være sat i korrekt stilling til huset på filterstøtten (D).

RENGØRING AF SUGEFOD



BEMÆRK

Sugefoden skal være ren og dens blade skal være i god stand for at opnå en god tørring.



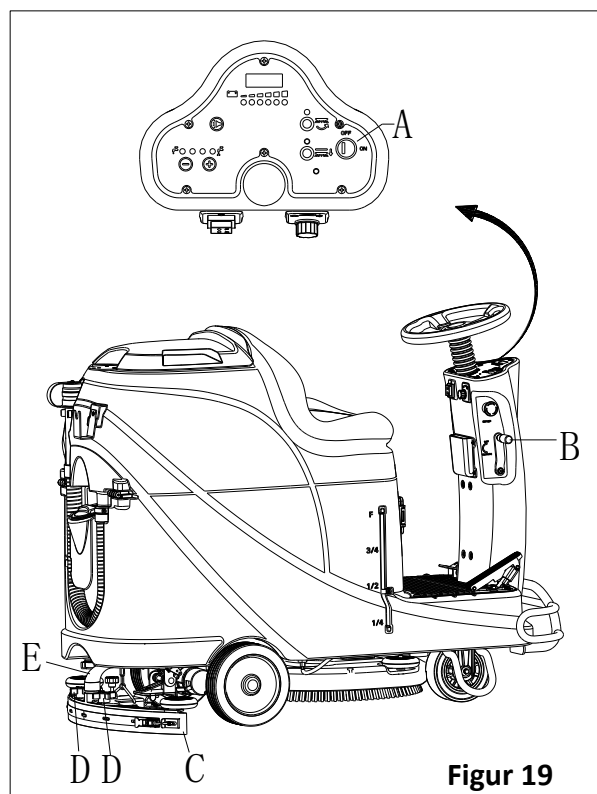
OBS

Det tilrådes at anvende beskyttelseshandsker, mens man rengør sugefoden, eftersom der kan forekomme rester.

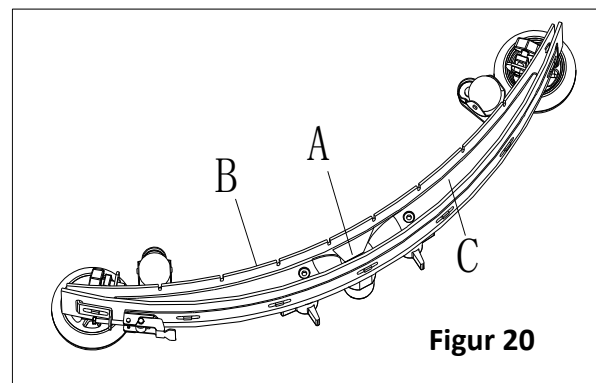
1. Kør maskinen til et fladt gulv.
2. Drej nøglekontakten (A, Figur 19) til "FRA".
3. Sænk svaberen (B) med løfterstangen (C).
4. Løsn knapperne (D), og fjern svaberen.
5. Afbryd vakuumslangen (E) fra svaberen.
6. Rens stål- eller aluminiumsvaberen, især rummene (A, Figur 20) og hullerne (B). Kontroller standen, ridser og brud på forbladet (B) og bagbladet (C), udskift om nødvendigt dem efter procedurerne i følgende afsnit
7. Saml svaberen i omvendt orden af demontering.

KONTROL OG UDSKIFTNING AF SUGEFODSBLAD

1. Rengør stål- eller aluminiumssugefoden som vist i det foregående afsnit.
2. Kontroller, at kanterne (E, Figur 21) på forbladet (C) og kanterne (F) på bageste blad (D) ligger på samme niveau som deres længde. Om nødvendigt, så juster deres højde i overensstemmelse med følgende procedure:
 - Fjern bindestangen (G), løs fæstneenhederne (M) og juster bageste blad (D), og sæt så fæstneenhederne (M) i funktion og installer bindestangen (G).
 - Løsn knapperne (I) og juster forbladet (C), og stram så knapperne.
3. Kontroller forbladet (C) og bageste blad (D) for slitage, snit og iturivninger. Om nødvendigt, så udskift dem i overensstemmelse med følgende procedure. Kontroller, at forhjørnet (J) af bladet (D) ikke er slidt. Om nødvendigt, så vend bladet om for at udskifte det slidte hjørne med et, der er fuldstændigt. Hvis de andre hjørner også er slidte, så udskift bladet i overensstemmelse med følgende procedure:
 - Fjern bindestangen (G), frigør fæstnedelene (M) og fjern det tilbageholdende stykke (K), og udskift/omvend bageste blad (D). Saml bladet i modsat rækkefølge i forhold til, da det blev skruet fra hinanden.
 - Skru sugefodsknapperne af (I) og fjern det tilbageholdende stykke (L), og udskift så forbladet (C). Saml bladet i modsat rækkefølge i forhold til, da det blev skruet fra hinanden. Juster højden som vist på det tidligere trin efter udskiftning af bladet (eller omdrejning).
4. Forbind vakuumslangen (A, Figur 22) til sugefoden.
5. Installer sugefoden (B) og skru knapperne i (C).
6. Om nødvendigt, så juster justerknapperne til sugefodsbalancen (D).



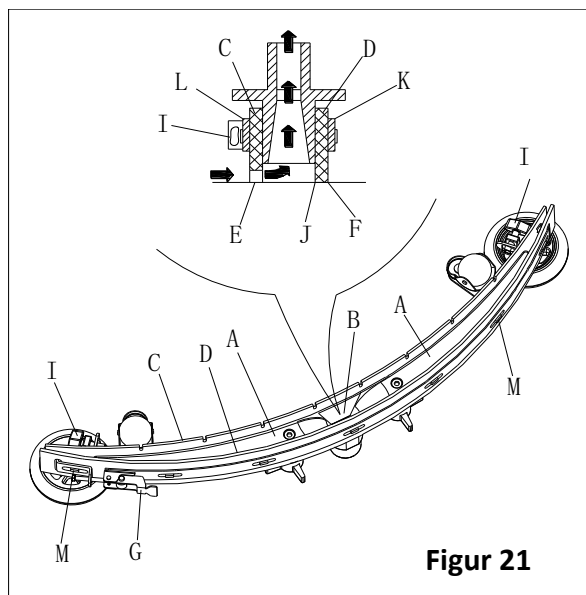
Figur 19



Figur 20

TANK- OG VAKUUMGITTER MED FLYDERENSNING OG LÅGPAKNINGSKONTROL

1. Kør maskinen på et plant gulv.
2. Sikr dig, at maskinen er slået fra, og at tændingsnøglen (40) er fjernet.
3. Drej genindvindingstanken låg (A, Figur 23) 90 graders position, hvor det kan lettede fra tanken, og tage ned svømmeren bolden filteret (P) fra tanken derefter.
4. Rengør genindvindingstanken låg (A), nyttiggørelse tank (B), rentvandstank (C) og svømmeren bolden filteret bæreramme (E). Tøm genindvindingstanken med afløbslangen (15).
5. Hvis det er nødvendigt, skal du følge symbolerne "ÅBEN" og "LUKKET", som vist i Figur 23 at åbne bunddækslet (F) af float bold filter og derefter rense float bold (D), filter bæreramme (E) og filter svamp (I). Efter rengøring, fastsætte oversugningsbeholder (D) ind i filteret bæreramme (E) og derefter justere mærket rille (L) af den nederste hætte (F) af flyderen bolden filter med varemærket rille (L) af flyderen filter bæreramme (E). Skru hætten i bunden af flyderen bolden filter stram, og løse filtersvampen (I) på flyderen filter bæreramme (E). Endelig tilslutte den til spildevand sugeslange (M).
6. Undersøg integritet af tanken tætningsliste.



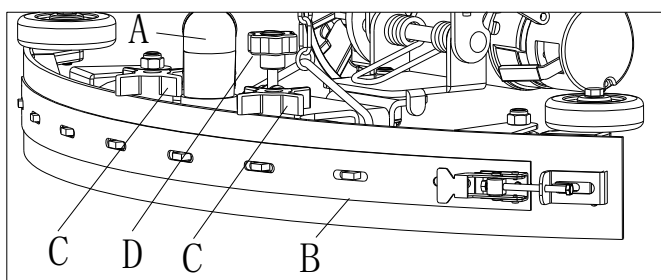
Figur 21



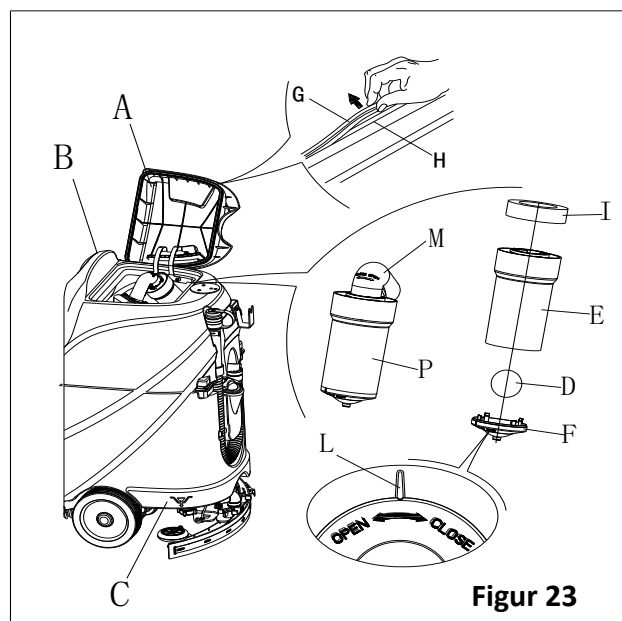
BEMÆRK

Tankens tætningsliste (G) frembringer vakuummet inde i tanken, når motoren fungerer. Tanken skal forsegles effektivt for at absorbere vandet fra opsamlingstanken.

7. Kontroller, om overfladen af tætningsliste (G) kontakt er integritet og forsegling er tilstrækkelig. Hvis det er nødvendigt, tage tætningslisten af tanken ud af rillen (H) og erstatte den. Montering den nye tætningsliste Figur 23, bør samlingen være tilbage i det midterste område.
8. Luk opsamlingstankens låg (A).



Figur 22



Figur 23

SIKRINGSKONTROL/UDSKIFTNING

1. Drej nøglekontakten (D, Figur 24) til "FRA".
2. Afbryd forbindelsesledningen til batteriet.
3. Skru skruerne (C) på kontrolpanelet af, og vend så PCBA for at finde sikringen (A eller B).
4. Kontroller/udskift sikringerne:
 - A) F1 er lavstrøms-kredsløbsikringen (5A)
 - B) F3 er børsteAGM onterings-sikringen (20A)
5. Efter kontrol/udskiftning er foretaget, så gensaml i omvendt rækkefølge i forhold til demontering.
6. Kontroller eller genindstil beskytterdelen for overlast af motor.
 - E) F5 er beskytterdel for overlast af vakuummotor (30A)
 - F) F4 er beskytterdel for overlast af køremotor (30A)
 - G) F2 er beskytterdel for overlast af børstemotor (30A)

TILBEHØR/VALGMULIGHEDER

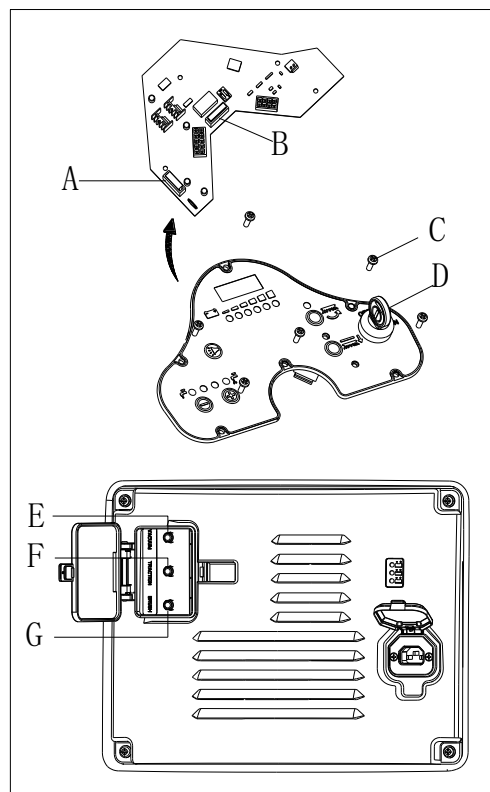
Ud over standard komponenterne, kan maskinen udstyres med følgende tilbehør/valgmuligheder alt efter maskinens specifikke brug.

For videre oplysninger angående ovenfor nævnte valgfrit tilbehør bedes man kontakte en autoriseret detailforhandler.

Tilbehør/Valgmuligheder

Se "Reservedels"-delen

1. GEL/AGM batterier
2. Rondeller af forskellige materialer



Figur 24

TROUBLESHOOTING

Problem	Sandsynlige årsger	Middel
Motorerne fungerer ikke, intet advarselslys tændes (C9)	Batterikonnectoren er afbrudt	Forbind batterikonnectoren
	Batterierne er helt afladte	Oplad batterierne
Maskinen fungerer ikke, rød advarselslys for batterikapacitet tændes (C8)	Batteriernes niveau er for lavt	Oplad batterierne
Maskinen flytter sig ikke fremad / baglæns	Fejl i kontrolkredsløbsbræt	Udskift kontrolkredsløbsbræt
	Fejl i køremotors kontrolenhed	Se "INFORMATION OM FEJL I KØREMOTORINDIKATOR"
	Brugeren ikke på sædet	Sid på sædet
	Svaber er ikke løftet, mens maskinen kører baglæns	Løft svaberen
Børstemotoren fungerer ikke	Fejl i kontrolkredsløb	Udskift kontrolkredsløbsbræt
	Overlast for børstemotor	Brug blød børste, som passer til rengøring, og genindstil børstemotor-overlastbeskytterenheden.
	Børstemotor kontaktorfejl	Kontakt efter-salg-service
	Slitage på børstemotors carbonbørste	Kontakt efter-salg-service
	Forhindringer hindrer børsten i at rotere	Rengør børsten
Køremotoren fungerer ikke	Køremotors problemlys tændes	Se "INFORMATION OM FEJL I KØREMOTORINDIKATOR"
	Overlast for køremotor	Genindstil køremotor-overlastbeskytterenhed og kontroller køremotor/kredsløb
Vakuummotoren fungerer ikke	Vakuummotor overlast	Genindstil vakuummotor overlastbeskytterenhed og kontroller vakuummotoren

	Fejl i relæ til vakuummotor	Kontakt efter-salg-service
	Fejl i kontrolbræt	Udskift kontrolbræt
Utilstrækkelig sugning, gulvet kan ikke tørres	Genvindingstank er fuld	Tøm genvindingstanken
	Dårlig forbindelse for afledningslange og svaber	Forbind bortledningslangen og svaberen korrekt
	Blokering af flydeboldsfilter	Rens flydeboldsfiltret, og kontroller status for flydebollen
	Svaber er snavset eller slidt	Kontroller og rens svaberen
	Genvindingstanklåget er ikke lukket korrekt, eller pakningen er beskadiget, eller bøjerøret er	Luk låget korrekt, eller udskift pakningen eller rens bøjerøret.
	Genvindingstanken er snavset	Rens genvindingstanken
Utilstrækkelig forsyning med opløsning til børsteplade	Opløsningsfiltret er snavset	Rens filtret
	Indikator for opløsningstank tom er tændt	Fyld opløsningstanken
	Opløsningstanken er for snavset	Rens opløsningstanken
Svaber efterlader ridser på gulvet	Der er snavs under svaberbladet	Fjern snavset
	Svaberblad slitage, revne, alder	Udskift svaberbladene
	Svaberbalancen er ikke justeret	Juster svaberbalancen
Køremotor har bremsesvigt	Bremsen er låst	Indstil bremsen til fri

KØREMOTOR FEJLINDIKATOR-INFORMATION

LED KODER		FEJL	MULIG ÅRSAG
1.1	□□	TERMISK FEJL	1. Temperatur >80°C eller < -10°C. 2. Overordentlig stor last på køretøj. 3. Anvendelse i ekstreme omgivelser. 4. Elektromagnetisk bremse udløses ikke.
1.2	□□□	SPEEDERFEJL	1. Input-ledning til speeder åben eller forkortet. 2. Speeder potentiometer beskadiget. 3. Forkert speedertype valgt.
1.3	□□□□	POTENTIOMETER	1. Hastighedsgrænse potentiometer-ledning(-er) brudte eller forkortede. 2. Ødelagt hastighedsgrænse-potentiometer.
1.4	□□□□□	UNDERSPÆNDINGSFEJL	1. Batterispænding <17 volt. 2. Dårlig forbindelse ved batteri eller kontrolenhed.
1.5	□□□□□□	OVERSPÆNDINGSFEJL	1. Batterispænding >31 volt. 2. Køretøj fungerer med oplader tilknyttet. 3. Batteriforbindelse kun ind imellem.
2.1	□□□	HOVEDLEDNING FRA-FEJL	1. Hovedkontakt-drev svigtede m.h.t. at åbnes.
2.3	□□□□□	HOVEDLEDNINGSFEJL *	1. Hovedkontakt svejset eller stukket åben. 2. Fejl i hovedkontakt.
2.4	□□□□□□	HOVEDLEDNING TIL-FEJL	1. Hovedkontakt-drev svigtede, lukket.
3.1	□□□□	FEJL I LEDNINGER *	1. Forkert justeret speeder- 2. Speeder-potentiometer eller speeder-mekanisme itu.
3.2	□□□□□	BREMSER TIL-FEJL	1. Elektromagnetisk bremsedrev forkortet. 2. Elektromagnetisk bremserule åben.
3.3	□□□□□□	FORLADNINGSFEJL *	1. Bremsedrev forkortet 2. Forladningskredsløb beskadiget. 3. MOSFET svigt.
3.4	□□□□□□□	BREMSER FRA-FEJL	1. Elektromagnetisk bremsedrev åbent. 2. Elektromagnetisk bremserule forkortet.
3.5	□□□□□□□□	HPD FEJL	1. Forkert sekvens i speeder og KSI skubber eller hindrer inputs. 2. Forkert justeret speeder-potentiometer
4.1	□□□□□	STRØMFØLEFEJL *	1. Kortslutning i motor eller i ledninger i motor. 2. Controller failure.

4.2	□□□□□□□□	HARDWARE FEJLSIKKER ※	1. Motorspænding svarer ikke til krav fra speeder. 2. Kortslutning i motor eller motorledninger. 3. Fejl i kontrolenhed.
4.3	□□□□□□□□	EEPROM CHECKSUM FEJL †	1. EEPROM svig eller fejl.
4.5	□□□□□□□□□□	BATTERI-FORBINDELSESFEJL ※	1. Batteri ikke forbundet. 2. Dårlig forbindelse til batteri-terminaler.

※ = Drej nøgle-kontakt om for at rense.

† = Skal bruge programmør til at rense, som følger: vælg Programmenu, ændr dataværdi for et hvilket som helst parameter, drej nøglekontakt om.



BEMÆRK

En maskine, som er udstyret med ombord-oplader, kan ikke bruges, når ombord-opladeren fungerer forkert, kontakt venligst vort professionelle vedligeholdelsescenter for hjælp.

BORTSKAFFELSE

Bortskaf maskinen på en kvalificeret affaldsbehandlingsinstitution. Før maskinen bortskaffes, skal du fjerne og adskille nedenfor viste dele, ifølge relevante love og regler.

- Battert
- Børste-/ rondelholder
- Plastikslanger og plastikdele
- Elektroniske og elektriske dele (*)

(*) Kontakt vort servicecenter for at ødelægge alle elektroniske komponenter.

SISÄLLYSLUETTELO

JOHDANTO	199
OPPAAN SISÄLTÖ JA TARKOITUS	199
TÄMÄN OPPAAN SÄILYTTÄMINEN	199
VAATIMUSTENMUKAISUUSVAKUUTUS	199
OSAT JA HUOLTO	199
MUUTOKSET JA PARANNUKSET	199
KÄYTTÖTARKOITUKSET	199
LAITTEEN TUNNISTETIEDOT	199
KULJETTAMINEN JA PAKKAUKSEN AVAAMINEN	199
TURVALLISUUS.....	200
KÄYTTÖOPPAASSA OLEVAT MERKINNÄT	200
YLEISET TURVAOHJEET	200
KONEEN KUVAUS	202
KONEEN RAKENNE	202
OHJAUSPANEELI	203
LED- NÄYTÖN ESITTÄMÄT TIEDOT	203
LATAUKSEN MERKKIVALOT	203
TEKNISET PARAMETRIT	204
PIIRIKAAVIO	205
KÄYTTÖ OHJEET	207
UUDEN AKUN KYTKEMINEN JA ASENNUS	207
AKUN ASENNUS JA AKKUTYYPIN ASETUS (NESTEAKKU TAI GEELI- / AGM-AKKU)	207
HÄTÄPYSÄYTYS	209
HARJAN/ VETOALUSTAN ASENNUS JA IRROTTAMINEN	209
IMUSUULAKKEEN SÄÄTÄMINEN	210
PUHDASVESISÄILIÖN TÄYTTÄMINEN	210
KONEEN KÄYNNISTYS JA PYSÄYTYS	211
KONEEN KÄYTTÖ (PESU JA KUIVAAMINEN)	212
SÄILIÖN TYHJENNYS	213
KONEEN KÄYTÖN JÄLKEEN	213
KONEEN PITKÄ SEISOKKI	213
ENSIMMÄINEN KÄYTTÖKERTA	213
HUOLTO	214
MÄÄRÄAIKAISHUOLTOJEN AIKATAULU	214
AKUN LATAAMINEN	214
HARJAN/VETOALUSTAN PUHDISTAMINEN	215
LIUKSEN SUODATTIMEN PUHDISTUS	216
IMUSUULAKKEEN PUHDISTAMINEN	216
SUULAKEKUMIEN TARKASTUS JA VAIHTO	216
YLITÄYTTÖSUOJAN PUHDISTUS JA KANNEN TIIVISTEEN TARKASTUS	217
SULAKKEEN TARKISTUS/VAIHTO	218
VARUSTEET/LISÄVARUSTEET	218
VIANETSINTÄ	218
KIERRÄTYS	220

JOHDANTO



HUOMAUTUS

Sulkeissa esitetyt numerot ovat Laitteen kuvaus -luvussa esitettyjä osanumeroita.

OPPAAN SISÄLTÖ JA TARKOITUS

Tämän käyttöoppaan tarkoituksena on tarjota käyttäjälle riittävät tiedot laitteen asianmukaista ja turvallista käyttöä varten. Opas sisältää laitteen tekniset tiedot sekä laitteen käyttöä, turvallisuutta, säilytystä, huoltoa, varaosia ja hävittämistä koskevat ohjeet.

Kaikkien laitetta käyttävien ja huoltavien henkilöiden on luettava laitteen käyttöopas huolellisesti ennen laitteen käsittelyä. Laitetta saavat huoltaa ja korjata vain asianmukaisen koulutuksen saaneet henkilöt. Ota yhteys asiakaspalveluumme, mikäli sinulla on kysyttävää näistä ohjeista tai mikäli haluat lisätietoja laitteesta.

Käyttäjän ei tule itse suorittaa mitään sellaisia toimenpiteitä, joiden suorittamiseen hänellä ei ole asianmukaista koulutusta. Käyttäjä on yksin vastuussa kaikista sellaisista vahingoista, jotka ovat aiheutuneet edellä mainitun ohjeen noudattamatta jättämisestä.

TÄMÄN OPPAAN SÄILYTTÄMINEN

Säilytä tätä opasta laitteen välittömässä läheisyydessä ja asianmukaisesti suojattuna. Pidä opas etäällä nesteistä ja muista aineista, jotka saattaisivat vahingoittaa sitä.

VAATIMUSTENMUKAISUUSVAKUUTUS

Laitteen mukana toimitetaan vaatimustenmukaisuusvakuutus, joka toimii vakuutena siitä, että laite on voimassa olevan lainsäädännön mukainen.



HUOMAUTUS

Kopio alkuperäisestä vaatimustenmukaisuusvakuutuksesta sisältyy laitteen mukana toimitettaviin asiakirjoihin.

OSAT JA HUOLTO

Laitetta saavat korjata ja huoltaa ainoastaan asianmukaisen koulutuksen saaneet henkilöt tai yrityksemme viralliset huoltoliikkeet. Laitteessa tulee käyttää AINOASTAAN valmistajan omia tai valmistajan hyväksymiä varusteita ja varaosia. Ota yhteys yhtiömme asiakaspalveluun, mikäli tarvitset apua varusteiden tai lisäosien hankintaan.

MUUTOKSET JA PARANNUKSET

Olemme sitoutuneet kehittämään tuotteitamme jatkuvasti ja varaamme oikeuden tehdä laitteeseen muutoksia ja parannuksia ilman erillistä ilmoitusta.

KÄYTTÖTARKOITUKSET

Tämä lattianperuskone on tarkoitettu kaupalliseen ja teolliseen käyttöön. Laite sopii kovien ja tasapintaisten lattioiden puhdistukseen. Käyttöolosuhteiden tulee olla turvalliset ja laitetta saavat käyttää ainoastaan asianmukaisen koulutuksen saaneet henkilöt. Laite ei sovellu ulkokäyttöön tai epätasaisten lattioiden tai mattojen puhdistamiseen.

LAITTEEN TUNNISTETIEDOT

Laitteen sarjanumero ja mallin nimi on ilmoitettu siihen kiinnitetyssä tunnistetarrassa.

Nämä tiedot ovat tärkeitä ja saatat tarvita niitä. Kirjoita tarraan merkityt tiedot alla oleville riveille, jotta ne ovat helposti saatavilla, mikäli sinun on tilattava laitteeseen varaosia.

KONEEN MALLI.....
KONEEN SARJANUMERO.....

KULJETTAMINEN JA PAKKAUKSEN AVAAMINEN

Kun vastaanotat laitteen, varmista, että laite ja sen pakkaus ovat asianmukaiset ja vahingoittumattomat. Mikäli havaitset vaurioita, kerro niistä laitteen kuljettaneelle taholle ennen tuotteen vastaanottamista. Vain näin toimimalla varmistat, että olet oikeutettu mahdollisiin vahingonkorvauksiin.

Noudata pakkauksessa ilmoitettuja ohjeita pakkausta avatessasi.

Varmista, että pakkaus sisältää kaikki seuraavat tuotteet:

1. Tekninen dokumentaatio, mukaan lukien käyttöopas sekä integroidun laturin käyttöopas, jos laitteessa on integroitu laturi.
2. Laturin kaapeli jos laitteessa on integroitu laturi.

TURVALLISUUS

Seuraavat symbolit ilmoittavat tilanteista, jotka saattavat aiheuttaa vaaran. Lue nämä tiedot huolellisesti, ja varmista, että olet tehnyt kaikki sellaiset toimet, jotka ovat välttämättömiä henkilövahinkojen ja aineellisten vahinkojen välttämiseksi.

KÄYTTÖOPPAASSA OLEVAT MERKINNÄT



VAARA!

Uhkaava vaaratilanne, joka voi aiheuttaa käyttäjälle kuolemanvaaran.



VAROITUS!

Ilmoittaa henkilövahinkojen riskistä.



HUOMIO!

Ilmoittaa laitteen käyttöön tai toimintoihin liittyvästä varoituksesta tai huomautuksesta. Kiinnitä erityistä huomiota tällä merkinnällä varustettuihin kappaleisiin.



HUOMAUTUS

Ilmoittaa laitteen käyttöön tai toimintoihin liittyvästä huomautuksesta.



TARKISTA OHJEET

Tämä merkintä ilmoittaa tilanteista, joissa käyttäjän on syytä tarkistaa asianmukainen kohta laitteen käyttöoppaasta ennen toimenpiteen suorittamista.

YLEISET TURVAOHJEET

Ihmisiin ja laitteeseen mahdollisesti aiheutuvia vahinkoja koskevat erityiset varoitukset ja huomautukset on esitetty alla.



VAARA!

- Laitetta saavat käyttää ainoastaan asianmukaisen koulutuksen ja käyttöön vaadittavat luvat omaavat henkilöt, ja käytön on tapahduttava käyttöoppaan ohjeiden mukaisella tavalla.
- Ennen kuin puhdistat, huollat tai korjaat laitetta tai vaihdat siihen osia, lue laitteen käyttöopas huolellisesti ja varmista, että laitteen kytkimet ovat Off-asennossa ja että akun liitin on irrotettu.
- Älä käytä laitetta minkään myrkyllisten, vaarallisten, tulenarkojen ja/tai räjähdysherkkien pölyjen, nesteiden tai kaasujen läheisyydessä. Laite ei sovellu vaarallisten pölyjen keräämiseen.
- Älä käytä koruja, kun työskentelet sähköisten komponenttien läheisyydessä.
- Jos työskentelet laitteen alla, varmista, että laite on asetettu turvatukien varaan.
- Lyijyä sisältävistä (WET-) akuista saattaa päästä tulenarkaa kaasua käytön aikana. Pidä akut etäällä kipinöistä, avotulesta ja savuavista materiaaleista sekä säteilevistä, hohtavista ja palavista esineistä.
- Lataamisen aikana lyijyä sisältävistä (WET-) akuista saattaa päästä räjähdysherkkää vetykaasua. Lataaminen on tämän vuoksi suoritettava hyvin ilmastoidussa tilassa ja kaukana avotulesta.

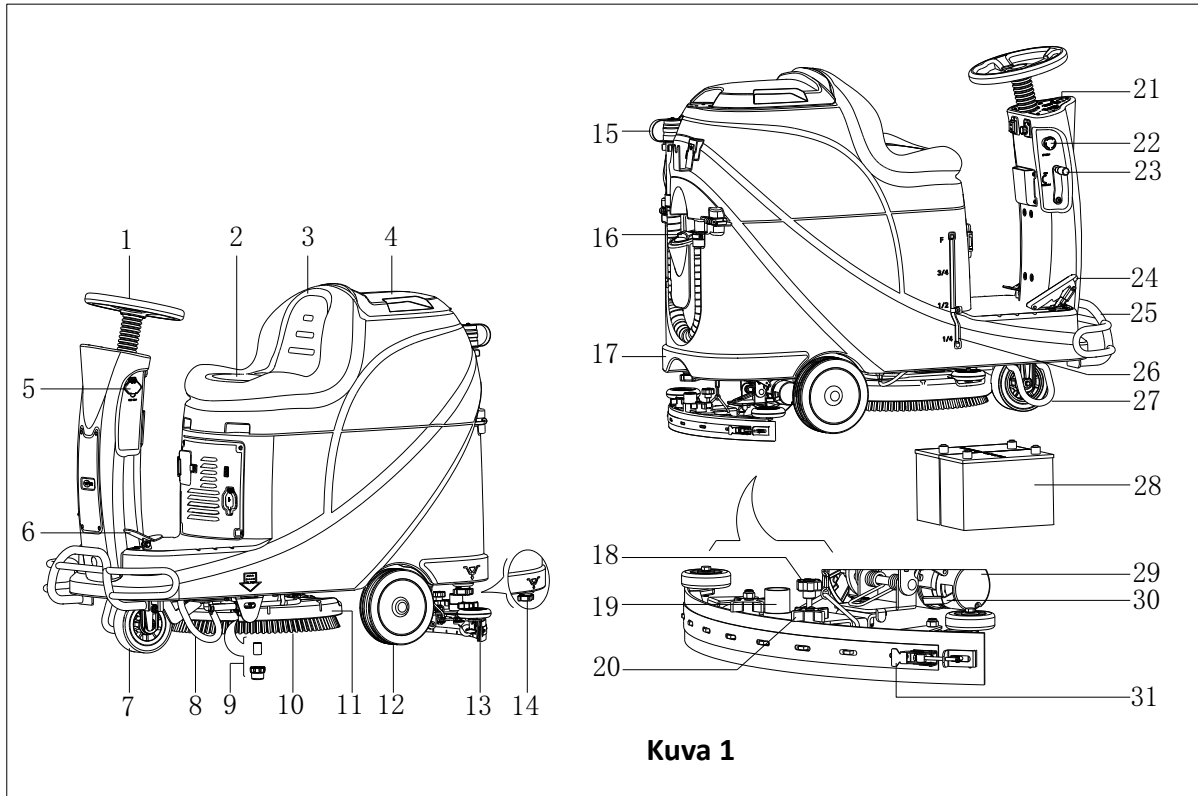


VAROITUS!

- Tarkista laite huolellisesti ennen jokaista käyttökertaa. Varmista, että kaikki laitteen osat ovat tiukasti paikoillaan ennen kuin käytät laitetta. Tämän ohjeen noudattamatta jättämisestä saattaa seurata henkilö- tai aineellisia vahinkoja.
- Ennen kuin käytät akkulatoria, varmista, että laitteen merkintätarrassa ja laturin ulostulovirtaa koskevissa merkinnöissä olevat taajuutta ja volttimäärää koskevat merkinnät ovat yhdenmukaisia.
- Älä koskaan siirrä laitetta akun latausjohdosta vetämällä. Älä ohjaa johtoa suljetun oven välistä tai kiristä sitä tiukalle teräviä reunoja tai kulmia vasten. Älä kuljeta laitetta akun latausjohdon yli. Pidä akun latausjohto etäällä kuumista pinoista.
Älä lataa laitetta, mikäli akun latausjohto tai latausjohdon pistoke on vaurioitunut.
- Tulipalon, sähköiskun ja vammojen välttämiseksi varmista, että laite on sammutettu, kun poistut laitteen luota.
- Säilytä laitetta kuivassa sisätilassa. Laitetta ei ole tarkoitettu ulkokäyttöön.
- Laitetta tulee käyttää ja säilyttää ainoastaan tiloissa, joiden lämpötila on 0–40 °C ja joiden ilmankosteus on 30–95 %.
- Älä käytä laitetta pinoilla, joiden kaltevuus ylittää ohjeissa ilmoitetun suurimman sallitun kaltevuuden.
- Käyttäessäsi ja käsitellessäsi lattianpesuaineita noudata aineiden pakkauksissa esitettyjä ohjeita ja käytä asianmukaisia suojakäsineitä ja -varusteita.
- Käytä ainoastaan laitteen mukana toimitettuja tai sen ohjeissa ilmoitettuja harjoja ja laikkoja. Muiden harjojen ja laikkojen käyttö saattaa heikentää käyttöturvallisuutta.
- Mikäli laitteessa ilmenee toimintahäiriö, varmista aluksi, ettei häiriö johdu puutteellisiksi jääneistä huoltotoimenpiteistä. Mikäli tarpeen, ota yhteys asianmukaiseen huoltohenkilöstöön tai viralliseen huoltopisteeseen.
- Varmista aina, ettei hiuksia, koruja tai löysiä vaatteita pääse laitteen liittyvien osien väliin.
- Älä käytä laitetta erityisen pölyisissä ympäristöissä.
Älä pese laitetta painepesurilla, vesisuihkulla tai millään syövyttävällä aineella.
- Vältä törmäämistä hyllyihin tai telineisiin, etenkin mikäli näillä on esineitä, jotka voivat pudota.
- Älä aseta nesteastioita laitetta vasten tai sen päälle. Pidä astiat asianmukaisissa pidikkeissään.
- Lattiaaurioiden välttämiseksi käytä laitteen harjaa/laikkaa ainoastaan silloin, kun laite on liikkeessä.
- Tulipalon sattuessa: käytä jauhesammutinta palon sammuttamiseen. Älä käytä nestettä sisältäviä sammuttimia.
- Älä poista tai muokkaa laitteeseen kiinnitettyjä tarroja.
- Älä poista tai muokkaa laitteen turvasuojuksia ja noudata tarkkaan kaikkia laitetta koskevia huolto-ohjeita.
- Ole erityisen varovainen, mikäli kuljetat laitetta lämpötilan ollessa alle nolla astetta. Likavesisäiliössä ja letkuissa oleva vesi saattaa jäätyä, minkä seurauksena laite voi vaurioitua vakavasti.
- Mikäli laitteeseen tulee vaihtaa osia, tilaa asianmukaiset ja ALKUPERÄISET varaosat valtuutetulta jälleenmyyjältä tai maahantuojalta.
- Mikäli laite ei toimi asianmukaisella tavalla, tai mikäli se on vaurioitunut, pudonnut veteen tai ollut pitkään ulkona, toimita se asianmukaiseen huoltoliikkeeseen tarkistamista varten.
- Jotta laite toimisi asianmukaisella ja turvallisella tavalla, sitä on huollettava asianmukaisen huoltohenkilöstön tai valtuutetun huoltoliikkeen toimesta tämän oppaan huoltoa koskevassa luvussa esitetyn huolto-ohjelman mukaisella tavalla.
- Laite on hävitettävä näissä ohjeissa esitetyllä tavalla, sillä laite sisältää haitallisia aineita (esim. akuissa olevat aineet), jotka lakien ja määräysten mukaan tulee toimittaa asianmukaisiin keräyspisteisiin (kts. luku Hävittäminen).
- Tämä laite on tarkoitettu ainoastaan puhdistusvälineeksi, eikä sitä ole tarkoitettu mihinkään muuhun käyttöön.
- Pidä pöly, hiukset tai muut vieraat aineet etäällä laitteen ilmanvaihtoaukoista, jotta laitteen ilmanvaihto toimii asianmukaisesti. Älä käytä laitetta, mikäli ilmanvaihtoaukot ovat tukkeutuneet.
- Käytä laitetta vain hyvin valaistuissa tiloissa.
- Henkilö jonka fyysinen, henkinen tai aisteihin liittyvä suorituskyky on rajoittunut ja sellainen henkilö jonka käyttötiedot ja -kokemus on rajallinen saa käyttää laitetta vain, mikäli käyttää ohjaa ja valvoo kyseisen henkilön turvallisuudesta vastuussa oleva henkilö.
- Ole erityisen varovainen, mikäli käytät laitetta lasten lähetyillä.
- Älä anna lasten leikkiä laitteella.
- Varmista, ettei laitteen käytöstä aiheudu henkilö- tai aineellisia vahinkoja.

KONEEN KUVAUS

KONEEN RAKENNE (kuten näytetty kuvassa 1)

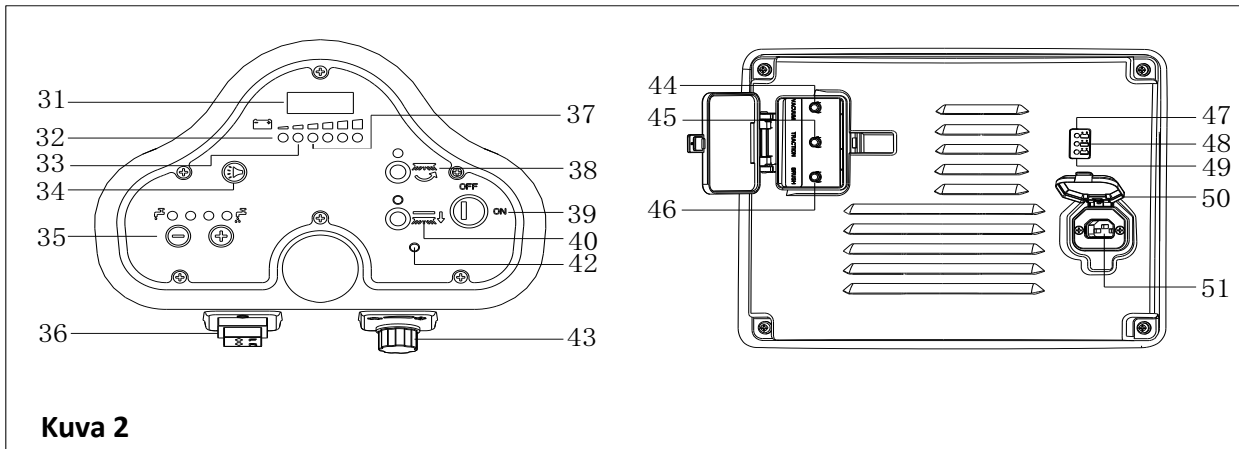


Kuva 1

- | | |
|------------------------------|------------------------------------|
| 1. Ohjauspyörä | 17. Pesuliuosäiliö |
| 2. Istuinpehmuste | 18. Imusuulakkeen säätönappi |
| 3. Likavesisäiliö | 19. Imuletku |
| 4. Likavesisäiliön kansi | 20. Imusuulakkeen nappi |
| 5. USB-latausliitäntä | 21. Ohjauspaneeli |
| 6. Poljin | 22. Hätkätkaisin |
| 7. Etupyörä | 23. Imusuulakkeen nosto-/laskuvipu |
| 8. Vasen tukirauta | 24. Kaasupoljin |
| 9. Pesuliuosuodatin | 25. Etupuskuri |
| 10. Harja | 26. Liuostason osoitin |
| 11. Harjayksikkö | 27. Oikea tukirauta |
| 12. Takapyörä | 28. Akku |
| 13. Imusuulake | 29. Ajomoottori |
| 14. Liuoksen poistoventtiili | 30. Jarrulohkon kannatin |
| 15. Likaveden poistoletku | 31. Suulakekumin lukitus |
| 16. Puhdasvesisäiliön täyttö | |

KONEEN KUVAUS

OHJAUSPANEELI (kuten näytetty kuvassa 2)



- | | |
|---|---|
| 31. LED-näyttö | 42. Käyttömoottorin häiriövalo |
| 32. Purkautuneen akun varoitusvalo (punainen) | 43. Nopeuden säätö |
| 33. Osittain purkautuneen akun varoitusvalo (keltainen) | 44. Imumoottorin ylikuormitussuoja |
| 34. Äänimerkkipainike | 45. Käyttömoottorin ylikuormitussuoja |
| 35. Pesuliuksen säätö | 46. Harjamoottorin ylikuormitussuoja |
| 36. Eteen-taakse-kytkin | 47. Täysin varatun akun osoitin (vihreä) |
| 37. Akun tyhjenemisen merkkivalo (vihreä) | 48. Osittain varatun akun osoitin (keltainen) |
| 38. Harjan painike | 49. Akun varaustilan osoitin (punainen) |
| 39. Virtalukko | 50. Laturin pistokkeen kansi |
| 40. Harjan irrotuspainike | 51. Laturin pistoke |

LED- NÄYTÖN ESITTÄMÄT TIEDOT

- STOP– Koneetta ei voida siirtää, harja lakkaa toimimasta, mutta imumoottori voi toimia (00012.3) – Koneen kokonaiskäyttötuntilukema on 12,3 tuntia
 L0-(18) – Akun jännite pienempi kuin 18V
 U-(25.5) – Akun jännite on 25.5V
 ERR-01 – Imusuulake ei ole nostettuna koneen kääntyessä taaksepäin

LATAUKSEN MERKKIVALOT (kuten näytetty kuvassa 2)

1. Latausta aloitettaessa, laturin punainen LED (49) palaa normaalisti. Tämä on latauksen ensimmäinen vaihe.
2. Kun akkua on ladattu jonkin aikaa, laturin punainen LED (49) sammuu ja keltainen LED (48) syttyy, tämä on latauksen toinen vaihe.
3. Kun akun lataus on valmis, keltainen LED (48) sammuu ja vihreä LED (47) syttyy osoittamaan, että akku on ladattu täyteen.



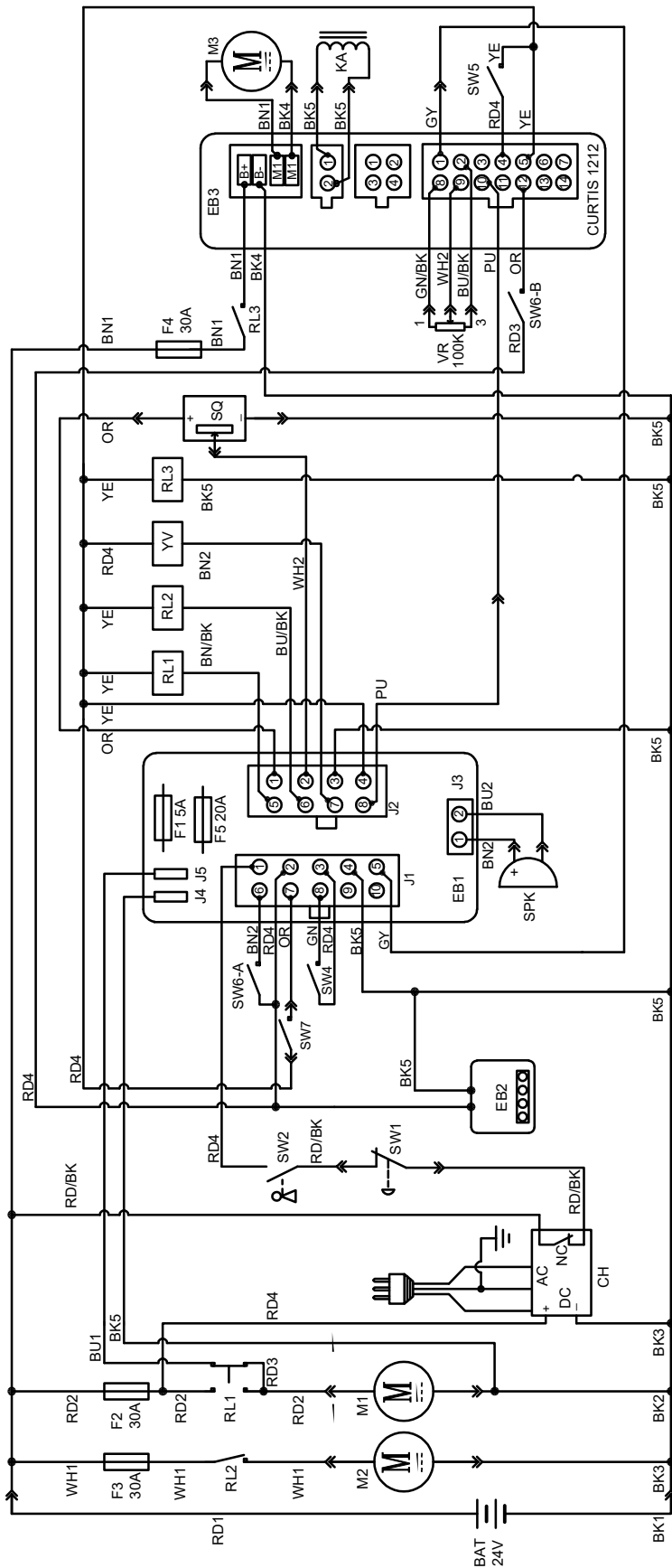
HUOMAA

Jos akun latauksen aikana, keltainen merkkivalo (48) syttyy, se voi johtua seuraavista syistä: Käytetty akku ja laturi eivät ole yhteensopivia, akkua ei ole kytketty oikein, tai ulostulossa on oikosulku. Laturin punaisen merkkivalon vilkkuminen voi johtua laturin sisäisestä oikosulusta.

TEKNISET PARAMETRIT

MALL	AS530R	
Pakkauksen mitat (P x L x K)	mm	1470*730*1310
Koneen korkeus	mm	1120
Koneen pituus	mm	1360
Koneen leveys (ilman suulaketta)	mm	580
Koneen paino tyhjiällä säiliöillä (ilman akkuja)	Kg	140
Ajoneuvon bruttopaino (GVW)	Kg	270
Toimituspaino	Kg	245
Puhdasvesisäiliön tilavuus	Litraa	72
Likavesisäiliön tilavuus	Litraa	73
Imumootorin teho	Wattia	400
Alipaine	mm H ₂ O	1223
Nousukyky (maks.)	%	10
Etupyörän halkaisija	mm	φ175
Takapyörän halkaisija	mm	φ230
Melutaso	dB(A)	69
Liuksen / veden virtaus	L/min	0,84-2,0
Työleveys	mm	530
Suulakkeen leveys	mm	730
Harjan/laipan halkaisija	mm	530
Harjamootorin teho	Wattia	450
Harjan nopeus	Rpm	160
Harjan/ paine (maksimi)	Kg	23
Käyttömootorin teho	Wattia	300W
Työnopeus	Km/h	5,5km/h
Jännite	V	24V
Akku (valinnainen)	Ah	2x100AH (20 tuntia)
Akkulaturi (valinnainen)	V/A	24V 10A
Akkutilan koko (P x L x K)	mm	350*380*300
USB-laturin spesifikaatiot	V/A	5V, 0,8A

PIIRIKAAVIO



WIRE ROD		WIRE ROD	
RD1	RED/6AWG	BN/BK	BROWN/BLACK / 20AWG
RD2	RED/10AWG	BU1	BLUE/18AWG
RD3	RED/18AWG	BU2	BLUE/20AWG
RD4	RED/20AWG	BU/BK	BLUE/BLACK / 20AWG
RD/BK	RED/BLACK / 20AWG	GN	GREEN/BLACK/ 20AWG
BK1	BLACK/6AWG	GN/BK	GREEN/BLACK/20AWG
BK2	BLACK/10AWG	GY	GRAY/20AWG
BK3	BLACK/12AWG	PU	PURPLE/20AWG
BK4	BLACK/14AWG	OR	ORANGE/20AWG
BK5	BLACK/18AWG	YE	YELLOW/20AWG
BN1	BROWN/14AWG	WH1	WHITE/12AWG
BN2	BROWN/20AWG	WH2	WHITE/20AWG

COMPONENTS		COMPONENTS	
BAT	24V BATTERIES	KA	BRAKE
CH	BATTERY CHARGER	M1	BRUSH MOTOR
EB1	CONTROL PANEL BOARD	M2	VACUUM MOTOR
EB2	DRIVE ELECTRONIC BOARD	M3	DRIVE MOTOR
EB3	DRIVE ELECTRONIC BOARD	SW1	EMERGENCY-STOP SWITCH
RL1	BRUSH MOTOR ELECTROM SWITCH	SW2	KEY SWITCH
RL2	VACUUM MOTOR ELECTROM SWITCH	SW4	VACUUM MOTOR SWITCH
RL3	DRIVE SYSTEM ELECTROM SWITCH	SW5	OPTIONAL MODE SWITCH
YV	WATER ELECTROVALVE	SW6-A	OPTIONAL REVERSE SWITCH
F1	CONTROL PANEL BOARD FUSE	SW6-B	OPTIONAL REVERSE SWITCH
F2	BRUSH MOTOR CIRCUIT BREAKER	SW7	SEAT SWITCH
F3	VACUUM MOTOR CIRCUIT BREAKER	SQ	FOOT THROTTLE
F4	DRIVE SYSTEM CIRCUIT BREAKER	SPK	12VDC BUZZER
F5	BRUSH RELEASE FUSE	VR	SPEED POTENTIOMETER

KOMPONENTIT		KOMPONENTIT	
BAT	24V AKUT	M1	HARJAMOOTTORI
CH	AKKULATURI	M2	IMUMOOTTORI
EB1	OHJAUSPANEELIN PIIRILEVY	M3	AJOMOOTTORI
EB2	USB-LATURIN PIIRILEVY	SW1	HÄTÄPYSÄYTYSKATKAISIN
EB3	AJOMOOTTORIN PIIRILEVY	SW2	VIRTAKYTKIN
RL1	HARJAMOOTTORIN ELEKTRONINEN KYTKIN		
RL2	IMUMOOTTORIN ELEKTRONINEN KYTKIN	SW4	IMUMOOTTORIN KYTKIN
RL3	AJOJÄRJESTELMÄN ELEKTRONINEN KYTKIN	SW5	VALINNAINEN KÄYTTÖTILAN KYTKIN
YV	VEDEN SÄHKÖVENTTIILI	SW6-A	VALINNAINEN PERUUTUSKYTKIN
F1	OHJAUSPANEELIN PIIRILEVYN SULAKE	SW6-B	VALINNAINEN PERUUTUSKYTKIN
F2	AJOMOOTTORIN SULAKE	SW7	ISTUIMEN KYTKIN
F3	IMUMOOTTORIN SULAKE	SQ	JALKAKAASU
F4	AJOJÄRJESTELMÄN SULAKE	SPK	12V DC SUMMERI
F5	HARJAN VAPAUTUKSEN SULAKE	VR	NOPEUDEN POTENTIOMETRI
KA	JARRU		

VALSSILANKA		VALSSILANKA	
RD1	PUN./6AWG	BN/BK	RUSK./MUSTA / 20AWG
RD2	PUN./10AWG	BU1	SIN./18AWG
RD3	PUN./18AWG	BU2	SIN./20AWG
RD4	PUN./20AWG	BU/BK	SIN./ MUSTA /20 AWG
RD/BK	PUN./MUSTA/20AWG	GN	VIHR./20AWG
BK1	MUSTA/6AWG	GN/BK	VIHR./ MUSTA /20AWG
BK2	MUSTA /10AWG	GY	HARMAA/20AWG
BK3	MUSTA /12AWG	PU	VIOL./20AWG
BK4	MUSTA /14AWG	OR	ORAN./20AWG
BK5	MUSTA /18AWG	YE	KELT./20AWG
BN1	RUSK./14AWG	WH1	VALK./12 AWG
BN2	RUSK./20AWG	WH2	VALK./20AWG

KÄYTTÖOHJEET



VAROITUS!

Kiinnitä erityistä huomiota näihin tässä käsikirjassa esitettyihin symboleihin:

- VAARA!
- VAROITUS!
- HUOMIO!
- TARKISTA OHJEET

Älä missään olosuhteissa peitä koneessa olevia varoitusmerkintöjä, ja korvaa vahingoittuneet merkinnät välittömästi.

UUDEN AKUN KYTKEMINEN JA ASENNUS



VAROITUS!

Laitteen sähkökomponentit saattavat vaurioitua, mikäli akku asennetaan tai kytketään väärin.

Akut saa asentaa vain tehtävään pätevä henkilöstö. Aseta akun laturi (valinnainen) ja koneen PCBA akun tyyppin mukaan (WET tai GEL/AGM).

Tarkista akut ennen asennusta mahdollisten vaurioiden varalta.

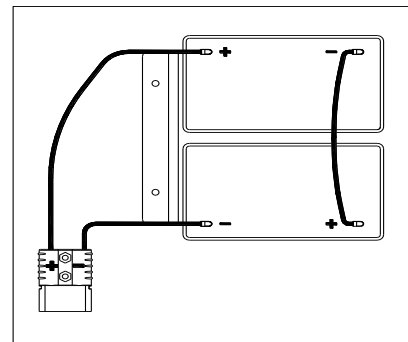
Irrota akun liitin ja akkulaturin pistoke.

Käsittele akkuja hyvin varovaisesti.



HUOMAA

Kone vaatii kaksi 12V akkua, liitännät tehdään kuva 3 mukaisesti.



Kuva 3

Konetta voidaan käyttää seuraavissa akkutiloissa:

A) WET- tai GEL-/AGM-tyypin akut on asennettu valmiiksi ja ne ovat käyttövalmiita

1. Tarkista akut ja kytke akun liitin koneeseen.
2. Aseta avain virtalukkoon (40) ja kytke se "on"-asentoon. Jos vihreä merkkivalo (37) syttyy, akut ovat täysin varattuja käyttöä varten; jos keltainen tai punainen merkkivalo (33 tai 32) syttyvät, akkuja tulee ladata.

B) Ilman akkuja

1. Jos koneessasi ei ole akkuja, osta siihen sopivat akut [Katso lisätietoja teknisten tietojen kappaleesta]. Ota yhteyttä valtuutettuihin akkujen jälleenmyyjiin saadaksesi akkujen valintaan ja asennukseen liittyviä lisätietoja.
2. Kun akut ovat valmiina, säädä kone ja akkulaturi asennettujen akkujen tyyppin mukaisesti, noudata sitten seuraavassa kappaleessa esitellyjä menettelytapoja.

AKUN ASENNUS JA AKKUTYYPIN ASETUS (NESTEAKKU TAI GEELI- / AGM-AKKU)

Säädä koneen elektronisen piirilevyn ja akkulaturin asetukset käytetyn akkutyypin mukaisesti (WET tai GEL/AGM) alla esitettyjen vaiheiden mukaisesti:



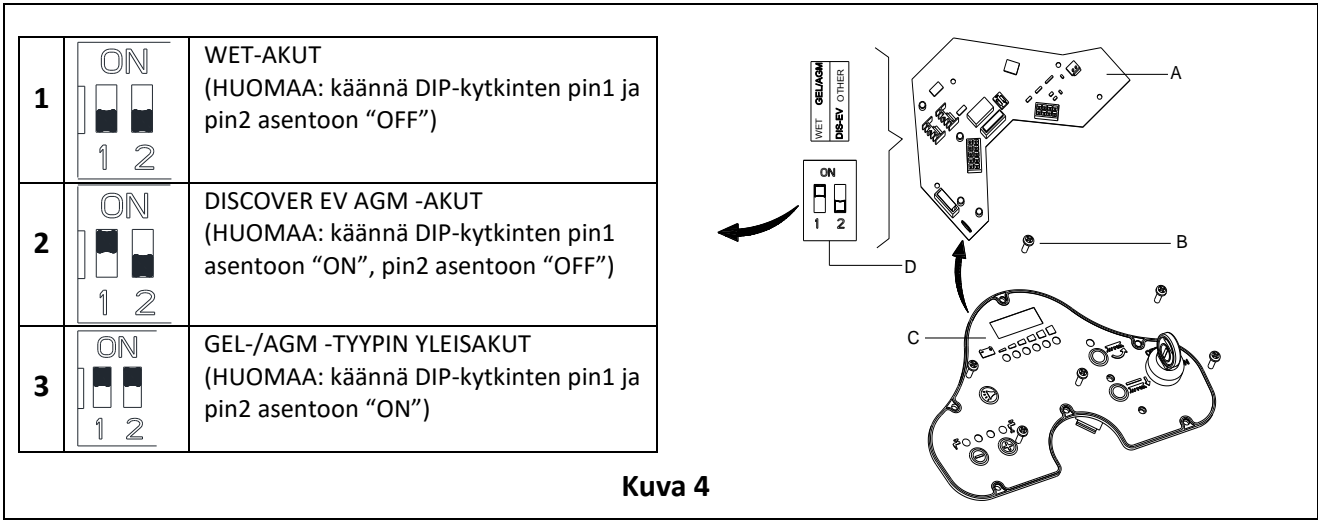
HUOMAA

Uusia akkuja asennettaessa, noudata kuvan 4 menettelyä DIP-kytkinten asettamisessa, tai muuten akut voivat väärin asetusten takia vahingoittua.

Koneen asetukset

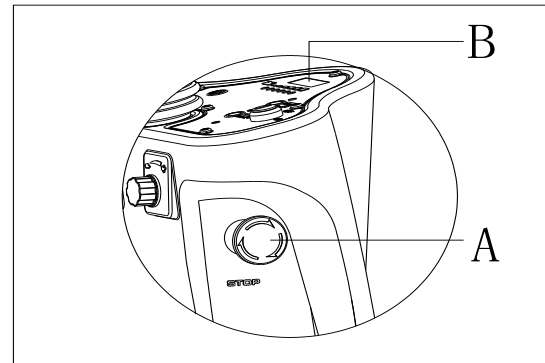
1. Aseta avain virtalukkoon (40) ja kytke se "ON"-asentoon, kiinnitä erityistä huomiota alla esitettyihin seikkoihin koneen ensimmäisten käynnistyssekuntien aikana:
 - Jos vihreä valo (37) vilkkuu, kone on säädetty käyttämään GEL-/AGM-akkuja.
 - Jos keltainen valo (33) vilkkuu, kone on säädetty käyttämään Discover EV AGM -akkuja.
 - Jos punainen valo (32) vilkkuu, kone on säädetty käyttämään WET-akkuja.
2. Seuraa alla esitettyjä vaiheita koneen asetuksia muuttaessasi.
3. Koneen tehdasasetuksena on Discover EV AGM -akkujen käyttö. Jos asetukset vastaavat käytössä olevia akkuja, siirry suoraan vaiheeseen 6, tai toimi seuraavan vaiheen mukaisesti.

4. Avaa ohjauspaneelin ruuvi (B, Kuva 4), käännä sitten paneelin PCBA (A) DIP-kytkimet nähdäksesi (D), seuraa Kuvan 4 DIP-asetuksia koskevia ohjeita.
5. Kun asetusten vaihtaminen on valmis, suorita purkamisen yhteydessä esitetyt vaiheet käänteisessä järjestyksessä kootaksesi ohjauspaneelin, ja kiinnitä sitten irrottamasi ruuvi.



Akun asennus

6. Avaa talteenottosäiliön (4) kansi ja tarkista, että täytä talteenottosäiliö (3) on tyhjä, muussa tapauksessa tyhjennä sen poistoletkulla (15).
7. Sulje talteenottosäiliön kansi (4).
8. Käänä talteenottosäiliö (3) varovasti.
9. Koneen mukana toimitetaan kaapelit, jotka soveltuvat 2x12V akkujen asentamista varten. Aseta akut varovaisesti akkutilaan ja asenna ne oikein.
10. Ohjaa ja asentaa akun kaapeli (kuva 3) mukaisesti, ja kiristä sitten varovasti akun napojen mutterit.
11. Aseta suojahattu kunkin navan päälle ja kytke akun liitin.
12. Laske talteenottosäiliö (3) varovasti.



Kuva 5

Akkujen lataaminen

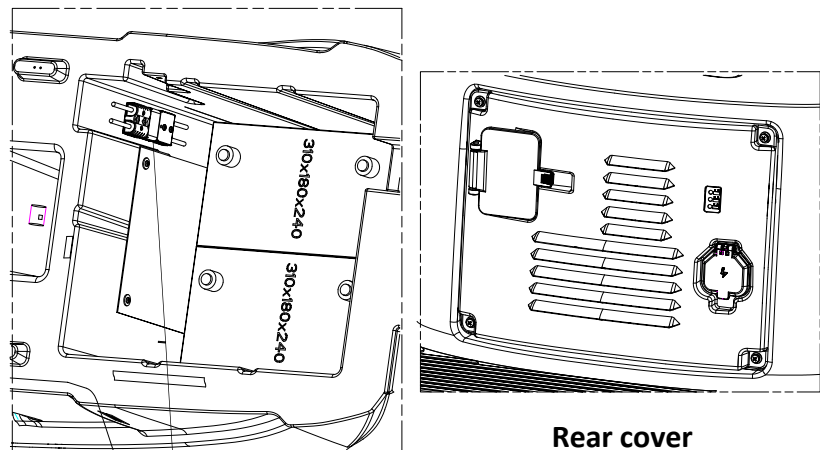
13. Akkujen lataaminen. [Katso KUNNOSSAPITO-osion lukuja].

Akkulaturin asetus (vain sisäiseen laturiin, jos asennettu)

Akkulaturi

Akkulaturi sijaitsee takakannen sisäpuolella ja se on liitetty suoraan akkuihin. Laturia ohjataan mikroprosessorilla ja se käyttää erilaisia latauskäyriä, jotta saavutetaan optimaalinen suorituskyky erityyppisille akuille.

1. Kytke irti kaapelin liitin, joka johtaa akkuihin.
2. Poista takakannet.
3. Poista 4 ruuvia (B), ja poista laturi (A).



Disconnect the connector

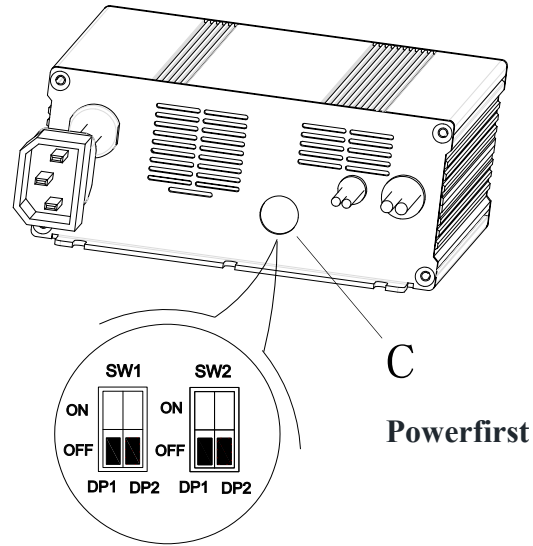
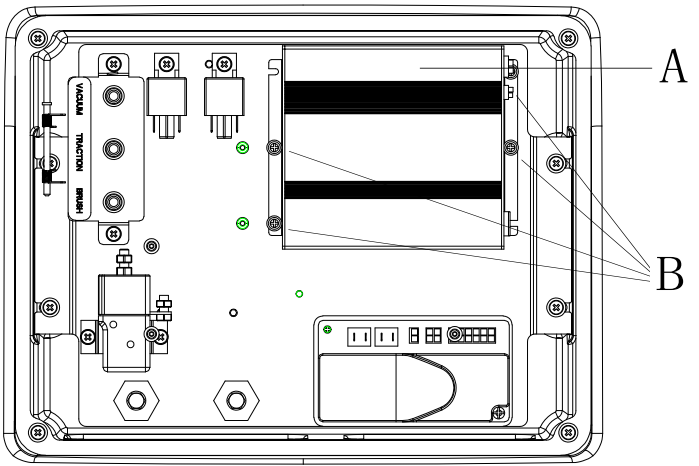
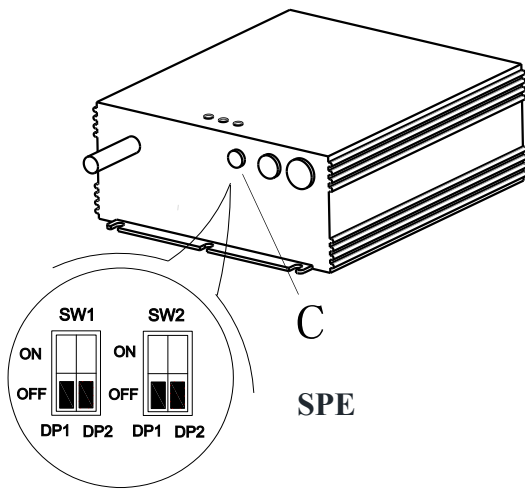
Rear cover

Akkutyypin Dip-kytkimet

Laturin toimintoa ohjataan 4 dip-kytkimellä (2 paria), jotka ovat takakannessa. Toisiin 2 kytkimeen ei tulisi koskaan koskea, ellei laturia ole vaihdettu. Niiden asento on vahvistettava, aseta akun jännite (24V) ja maksimiampeeriarvo (10A), ja asennon tulisi aina olla Off.

Ensimmäiset 2 kytkintä ovat saavutettavissa muovitulpan kautta laturia avaamatta. Nämä kytkimet asettavat käytettävän latauskäyrän tyyppi jokaiselle akkutyypille. Käyrän tyyppi määrittää tavan ja määrän, jolla virtaa ja jännitettä johdetaan akkuun sen latausjakson eri vaiheissa.

1. Poista muovitulppa, joka peittää DIP-kytkimen pääsyaukon (C).
2. Aseta ensimmäiset 2 DIP-kytkintä (SW1) alla olevan taulukon tietojen mukaisesti.
3. Laita muovitulppa takaisin.



Curve/Battery Type	SW1		SW2	
	D1	D2	D1	D2
IUIa Wet	On	Off		
IUIa Gel Exide	Off	Off	Off	Off
IUoU AGM	Off	On		
IUIa AGM Discover	On	On		

Curve/Battery Type	SW1		SW2	
	D1	D2	D1	D2
IUIa Wet	On	Off		
IUIa Gel Exide	Off	Off	Off	Off
IUUa AGM	Off	On		
IUIa AGM Discover	On	On		

HÄTÄPYSÄYTYS

Jos konetta käytettäessä tapahtuu hätätapaus, paina hätäkatkaisinta (A, Kuva 5), jonka seurauksena kaikki koneen toiminnot pysähtyvät, ja ohjauspaneelin näyttö poistuu näkyvistä (B, Kuva 5)

HARJAN/VETOALUSTAN ASENNUS JA IRROTTAMINEN



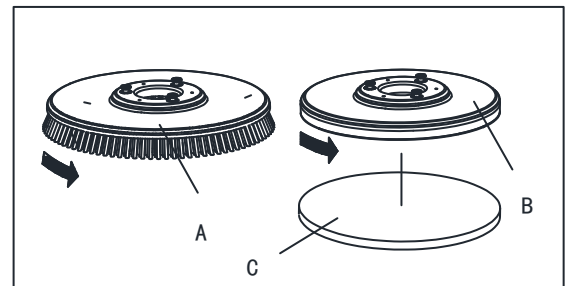
HUOMAA

Asenna sopiva harjaosa (A, Kuva 6) tai vetoalusta ja laikka (B ja C, Kuva 6) puhdistettavan lattian tyyppiin mukaisesti.



VAROITUS

Varmista ennen harjan -/ vetoalustan asennusta/irrottamista, että kaikki koneen kytkimet ovat off-asennossa ja imu-suulake on nostettu ylös. Koneen käyttäjän tulee käyttää tehtävään soveltuvia suojavarusteita, kuten hansikkaita, onnettomuusriskien vähentämiseksi. Toimi näin:



Kuva 6

1. Aseta avain virtalukkoon (40) ja kytke se "ON"-asentoon.
2. Paina poljinta (6) jalallasi eteenpäin nostaaksesi harjaripustuksen (11) irti lattiasta.
3. Pyöritä nopeudensäätönuppia (42) loppuun saakka vastapäivään.
4. Sijoita harja (A, Kuva 5) tai vetoalusta (B, Kuva 5) harjayksikön keskikohtaan.
5. Paina poljinta (6) jalallasi taaksepäin laskeaksesi harjaripustuksen (11) lattiaan. Asetu istuimelle, paina harjan painiketta (39) ja vapauta poljinta (23) kevyesti, harja/tyyny voidaan koota automaattisesti. Toista edellä esitetyt vaiheet, kunnes harja/ vetoalusta on asennettu.
6. Jos vaihe 5, harjan/ vetoalusta asennus ei onnistu, ole hyvä ja siirrä harja/ vetoalusta manuaalisesti alas.
7. Vapauta poljin (6) eteenpäin jalallasi nostaaksesi harjakokoonpanon (11) lattiasta, paina harjan irrotuspainiketta (41) poistaaksesi sen automaattisesti.

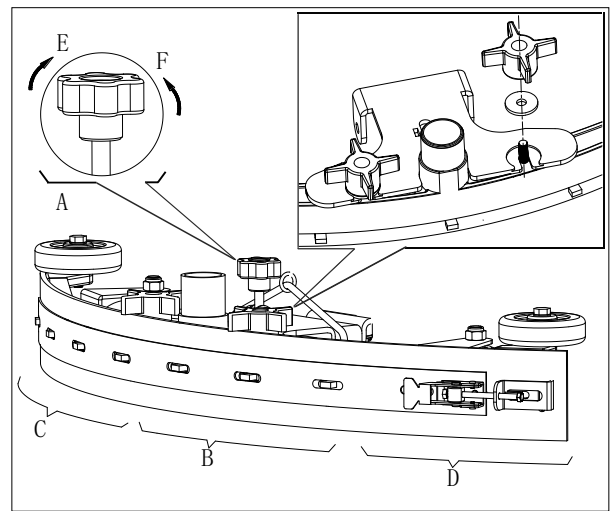


VAROITUS!

Pyöritä nopeudensäätönuppi (42) miniminopeuden asentoon, ennen kuin vapautat kaasupolkimen (6), jotta kone ei kävisi liian nopeasti sitä käynnistettäessä. Varmista ennen koneen käytön aloittamista, että harja/ vetoalusta on asennettu oikein.

IMUSUULAKKEEN SÄÄTÄMINEN

1. Asenna imusuulake (13) ja kiristä imusuulakkeen nuppi (20), liitä sitten imuletku (19) imusuulakkeeseen.
2. Säädä imulastan asentoa imulastan tasapainon säätimestä (A, kuva 7).
 - a) Mikäli taemman imulastan (B) keskiosa ei kosketa lattiaa, väännä säädintä (A) vastapäivään (F), kunnes lasta on täysin kiinni lattiassa. Edemmän lastan tulee koskettaa lattiaa vain hieman.
 - b) Mikäli taemman imulastan (C ja D) kumpikaan reuna ei kosketa lattiaa, väännä säädintä (A) myötäpäivään (E), kunnes lasta on täysin kiinni lattiassa. Edemmän lastan tulee koskettaa lattiaa vain hieman.



Kuva 7

PUHDASVESISÄILIÖN TÄYTTÄMINEN

1. Avaa täyttöaukon kansi (E, kuva 8).
2. Täyttövesi tai liuos, joka sopii työtä varten veden sisääntulon kautta suodattimella. Liuoksen lämpötila ei saa olla yli +104 °F (+40 °C).
3. Älä ylitäytä säiliötä, katso vesimäärän ilmaisin (G) veden tilavuutta varten.



VAROITUS!

Käytä vain matalavaahtoisia ja palamattomia pesuaineita, jotka on tarkoitettu yhdistelmäkoneita varten.

Käyttömoottorin tarkistus

1. Käännä virta-avain "ON"-asentoon (A, Kuva 9).
2. Kevennä kaasupoljinta (C) varoen ja vapauta se sitten kokonaan tarkistaaksesi, että konetta voidaan ohjata eteenpäin ja että se voidaan pysäyttää.
3. Tarkista turvallisuuden varmistamiseksi, että kone voidaan pysäyttää välittömästi hätäpainikkeen avulla (B). Pyöritä hätäpainiketta nolatakseksi sen.



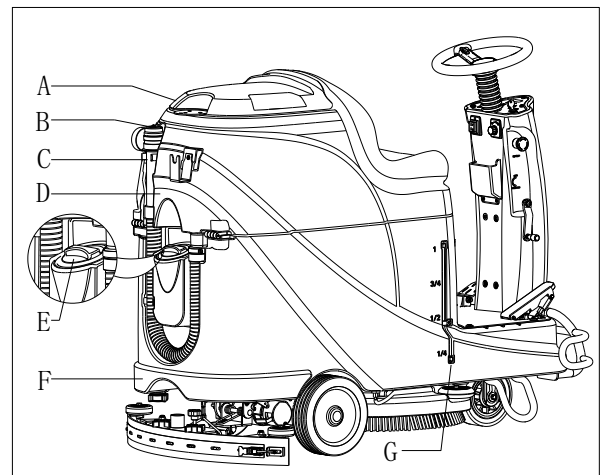
VAROITUS

Koneen nousukykyä 10% ei saa ylittää.



VAROITUS

Käyttömoottorin jarru on irti, kun moottori toimii normaalisti, jarru lukittuu, kun moottori lakkaa toimimasta.



Kuva 8

- Jarru on irti -jarrukahva (D, Kuva 9) on yllä
 - Jarru on lukittu – jarrukahva on alla
- Joissain erityistapauksissa, kuten konetta pakattaessa / pakauksesta purettaessa, koneen vikaantuessa jne., konetta tulee liikuttaa, vaikka käyttömoottori ei toimitakaan. Ole hyvä ja aseta jarru manuaalisesti vapaa-asentoon, jotta koneen liikuttaminen olisi mahdollista.
- Turvallisuusriskien välttämiseksi tulee varmistua, että jarru palautetaan koneen siirtämisen jälkeen päälle-asentoon.

KONEEN KÄYNNISTYS JA PYSÄYTYS

Koneen käynnistäminen

1. Valmista kone edellisen kappaleen ohjeiden mukaisesti.
2. Asetu istuimelle (L, Kuva 10), aseta avain virtalukkoon (A) ja käännä se "ON"-asentoon. Jos vihreä merkkivalo (C) syttyy, akut ovat täysin ladattuja käyttöä varten. Jos keltainen merkkivalo (E) tai punainen merkkivalo (D) syttyy, akkuja tulee ladata ennen koneen käyttöönottoa. [Katso KUNNOSSAPITO-osion akun lataamiseen liittyviä lukuja]
3. Laske imusuulake kiinni lattiaan.



HUOMAA

Varmistu että imusuulake on nostettu lattiasta, ennen kuin konetta ohjataan taaksepäin, muuten kone pysähtyy ja LED-näytöllä esitetään "Error"-tieto.

4. Laske harjaripustus kiinni lattiaan.



HUOMAA

Varmistu että harjan off-painiketta on painettu, ennen kuin harjaripustus nostetaan ja nosta kokoonpano ennen kuin konetta ohjataan eteenpäin/taaksepäin.

5. Paina harjan painiketta (B)
6. Vapauta kaasupoljin (R), käytä konetta eteenpäin tai taaksepäin käyttäen ohjauspyörää (N) yhdessä eteen/taaksekatkaisimen (H) kanssa, voit säätää nopeutta säätönuppia kääntämällä (I).
7. Säädä liuoksen virtausnopeutta puhdistusvaatimusten mukaisesti virtauksen säätönupin (G) avulla.
8. Voit ladata puhelimesi tai tablettisi akkuja USB-latausliitännän (M) kautta, kun virta-avain (A) on käännetty "ON"-asentoon.
9. Paina äänimerkin painiketta (F) varoittaaksesi muita ihmisiä tarpeen niin vaatiessa.
10. Paina hätäpainiketta, jos koneen hätäpysäytys tulee tehdä.

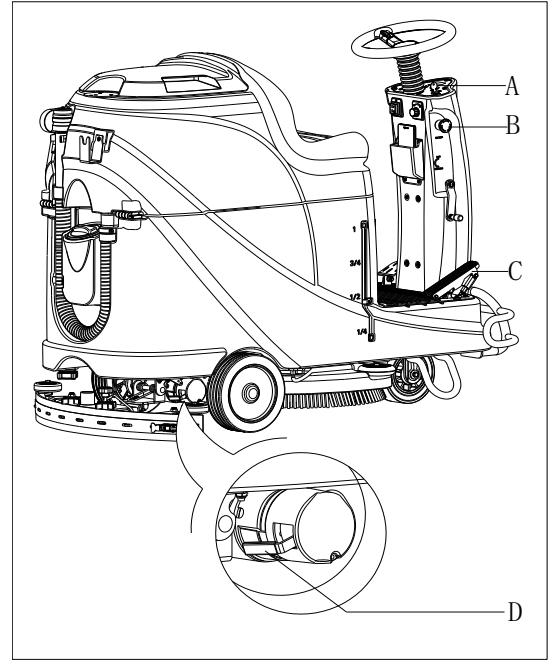


HUOMAA

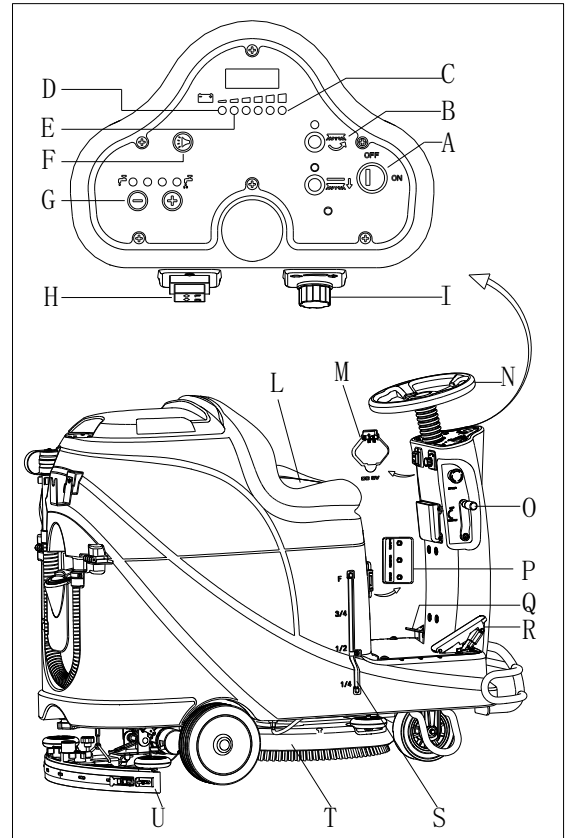
Ylikuormassuoja (P) suojaa harjamoottoria, imu-moottoria, käyttömoottoria ja ohjauspiirejä. Ylikuormassuojan aktivoituessa sitä ei tule heti nollata, koska aktivoitumisen syy tulee ensin selvittää, ja moottorin on lisäksi annettava ensin jäähtyä, ennen kuin nollaus voidaan suorittaa.

Koneen pysäytys

11. Vapauta kaasupoljin (R, Kuva 10), kone lakkaa käymästä.
12. Paina harjan painiketta (B) pysäyttääksesi harjamoottorin.
13. Nosta harjakokoonpano (T) vapauttamalla poljin (Q).



Kuva 9



Kuva 10

14. Nosta imusuulake (U) imusuulakkeen nosto-/laskuvipua (O) käyttäen, tällöin imujärjestelmä sulkeutuu muutaman sekunnin kuluessa.
15. Käännä virta-avain "OFF"-asentoon.
16. Varmistu että kone on pysähtynyt.

KONEEN KÄYTTÖ (PESU JA KUIVAAMINEN)

1. Käynnistä kone edellisissä kappaleissa kuvattuja menettelytapoja noudattaen.
2. Aloita puhdistaminen noudattamalla "Koneen käynnistys" -osiossa kuvattuja menettelytapoja.
3. Pysäytä kone jos imusuulake tarvitsee säätää, ja suorita säätäminen "Imusuulakkeen tasapainon säätäminen" -osion mukaisesti.



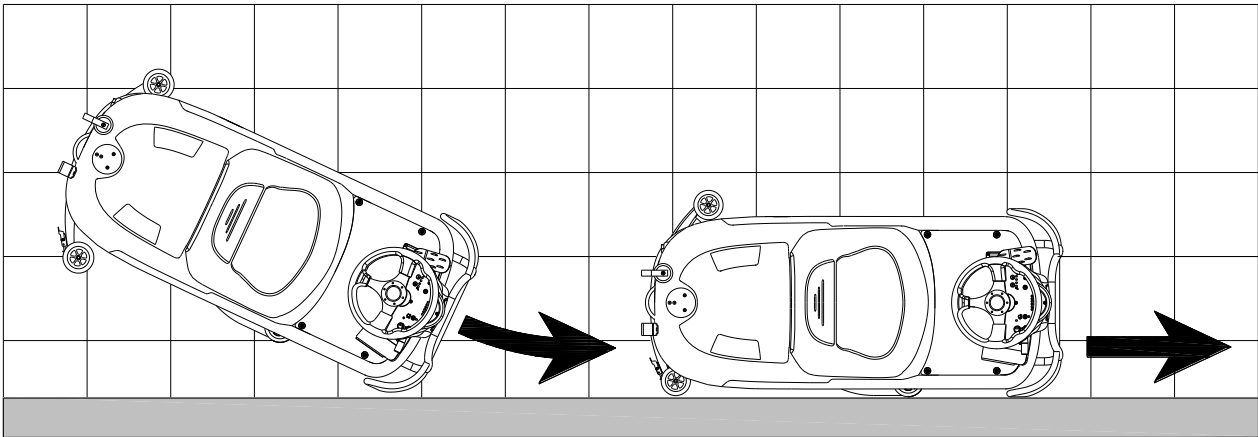
VAROITUS!

Jotta mahdollisilta lattiapintojen vahingoittumiselta välttyttäisiin, kytke pois päältä, kun kone pysäytetään pidemmäksi aikaa paikoilleen.



HUOMAA

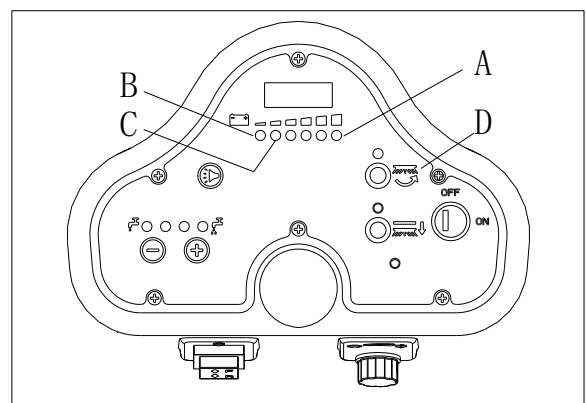
Jotta seinien sivustalla olevat lattian pinnat pestään/kuivataan oikein, suosittelemme että kone ajetaan seinän viereen sen oikeanpuoleinen kylki seinää vasten, kuten alla esitetyssä kuvassa 11 näytetään.



Kuva 11

Akun lataus työskentelyn aikana

Vihreän merkkivalon (A, Kuva 12) palaessa akuissa on riittävästi tehoa koneen normaalia käyttöä varten. Kun kaikki vihreät merkkivalot ovat sammuneet ja keltainen merkkivalo (C, Kuva 12) syttyy, akkujen varaustila on liian alhainen. Ole hyvä ja aloita tällöin akkujen lataaminen. Kun punainen merkkivalo (B, Kuva 12) vilkkuu, akusta on loppunut varaus. Tällöin imumootori ja harjamootori kytketään automaattisesti pois käytöstä muutaman sekunnin viiveellä, ole hyvä ja aja kone välittömästi akkujen latauspaikalle.



Kuva 12



VAROITUS!

Älä käytä konetta sen akkujen ollessa tyhjiä, jotta akut eivät vahingoittuisi eikä niiden käyttöikä turhaan lyhenisi.

SÄILIÖN TYHJENNYS

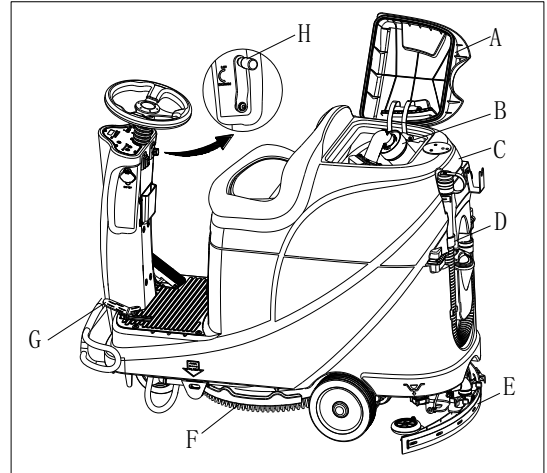
Automaattinen ylitäyttösuoja (B, kuva 13) estää imujärjestelmän, kun likavesisäiliö (C) on täynnä.



VAROITUS!

Jos imujärjestelmä sammuu vahingossa (esimerkiksi, kun uimuri aktivoidaan johtuen äkillisestä koneen liikkeestä), toimintaa voidaan jatkaa: sammuttamalla imujärjestelmä painamalla kytkintä (D, kuva 12), avaamalla sitten kansi (A, kuva 11) ja tarkistamalla, että verkon (B) sisällä oleva uimurin on laskeutunut vedenpintaan. Sulje sitten kansi (A) ja kytke imujärjestelmä päälle painamalla kytkintä (D, kuva 12).

Kun likavesisäiliö on täynnä (C, kuva 13), tyhjennä se seuraavien ohjeiden mukaisesti.



Kuva 13

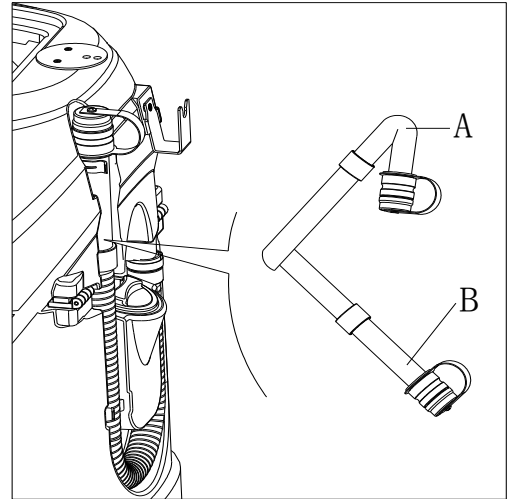
Likavesisäiliön tyhjentäminen

1. Pysäytä kone.
2. Nosta harjan pidikkeen kansi (H, kuva 12) painamalla poljinta (G).
3. Nosta imusuulake vivulla (H).
4. Aja kone sallitulle tyhjennyspaikalle.
5. Tyhjennä likavesisäiliö letkulla (D). Huuhtelee sitten säiliö puhtaalla vedellä.



VAROITUS!

Jätevettä tyhjennettäessä tyhjennysletkun tulee olla taitettuna (A, Kuva 14) ja ala-asentoon sijoitettuna (B, Kuva 14), ennen kuin tyhjennysletkun korkk avataan. Älä aseta tyhjennysletkun aukkoa ylöspäin veden kuivaamiseksi pystyasossa, jotta jätevettä ei pääsisi roiskumaan käyttäjän päälle.



Kuva 14

Puhdasvesisäiliön tyhjentäminen

6. Suorita luvun "Likavesisäiliön tyhjentäminen" mukaiset vaiheet 1 - 4.
7. Tyhjennä puhdasvesisäiliö tyhjennysaukon (A, Kuva 15) kautta. Huuhtelee sitten säiliö puhtaasta vedestä käyttäen.

KONEEN KÄYTÖN JÄLKEEN

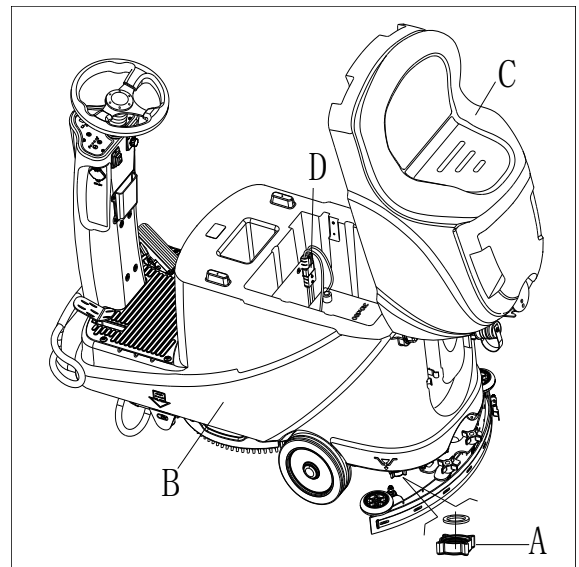
Työskentelyn jälkeen, ennen koneelta poistumista:

1. Irrota harjat /vetoalusta.
2. Tyhjennä säiliöt (B ja C, kuva 15), kuten osoitettu edellisessä kappaleessa.
3. Suorita päivittäiset huoltotoimenpiteet (katso Huolto-kappale).
4. Säilytä konetta puhtaassa ja kuivassa paikassa, kun harja / vetoalusta jasuulake on nostettu tai poistettu.

KONEEN PITKÄ SEISOKKI

Jos konetta ei käytetä yli 30 päivään, menettele seuraavasti:

1. Suorita kappaleessa "KONEEN KÄYTÖN JÄLKEEN" esitetyt toimenpiteet.
2. Irrota akun liitin (D, Kuva 15).



Kuva 15

ENSIMMÄINEN KÄYTTÖKERTA

Kun konetta on käytetty ensimmäistä kertaa yhdeksän tunnin ajan, ole hyvä ja tarkista mahdolliset koneessa olevat vauriot ja muut käytön häiriöt, tarkista myös että kaikki kiinnittimet ja sovitimet ovat tiukasti paikoillaan.

HUOLTO



VAROITUS!

Huoltotoimenpiteet tulee suorittaa vasta sen jälkeen, kun laite on kytketty pois päältä ja akun latausjohto on irrotettu. Lue lisäksi kaikki käyttöoppaassa esitetyt turvaohjeet.

Määräaikaiset ja ylimääräiset huoltotoimenpiteet saa suorittaa vain asianmukaisen koulutuksen saanut henkilö tai valtuutettu huoltoliike. Tässä oppaassa on kuvattu vain yleiset/tavanomaiset huoltotoimenpiteet.

Tiedot sellaisista huoltotoimenpiteistä jotka eivät kuulu alla esitettyyn huolto-ohjelmaan löytyvät valtuutetuille huoltoliikkeille toimitetusta huolto-oppaasta.

MÄÄRÄAIKAISHUOLTOJEN AIKATAULU



HUOMIO!

Numerolla (1) merkityt toimenpiteet tulee suorittaa ensimmäisten 9 käyttötunnin jälkeen.

Numerolla (2) merkityt toimenpiteet saa suorittaa ainoastaan yrityksemme valtuuttama huoltoliike.

Toimenpide	Päivittäin, jokaisen käyttökerran jälkeen	Viikoittain	Kahdesti vuodessa	Vuosittain
Akun lataaminen				
Imulastan puhdistus				
Harja-/vetoalustan puhdistus				
Säiliön puhdistus				
Säiliön tiivisteen tarkistus				
Ylitäyttösuojan puhdistus				
Suulakkeen osien tarkistus ja vaihto				
Puhtaan veden suodattimen puhdistus				
Imusuodattimen puhdistus				
WET-akun nestetason tarkistus				
Ruuvien ja mutterien kireyden tarkistus			(1)	
Imumoottorin hiiliharjan tarkistus tai vaihto				(2)
Imumoottorin hiiliharjan tarkistus tai vaihto				(2)
Ajomoottorin hiiliharjan tarkistus tai vaihto (vain koneelle, jossa on vetokyky)				(2)
Lisää pyöriviin osiin voiteluöljyä			(1)	

AKUN LATAAMINEN



HUOMAUTUS

Lataa akut aina, kun keltainen LED-valo (32) tai punainen LED-valo (33) palaa tai jokaisen käyttökerran jälkeen.



HUOMIO

Pitämällä akkua aina täyteen ladattuna saatat pidentää sen käyttöikä.



HUOMIO

Lataa akku aina heti, kun huomaat varaustason olevan matala. Näin toimimalla vältät käyttöiän lyhentymisen. Akkujen tila kannattaa tarkistaa vähintään kerran viikossa.

**VAROITUS!**

Akkua ladatessa on toimittava erityisen varoen, sillä latausprosessin aikana akusta voi vuotaa happoa.

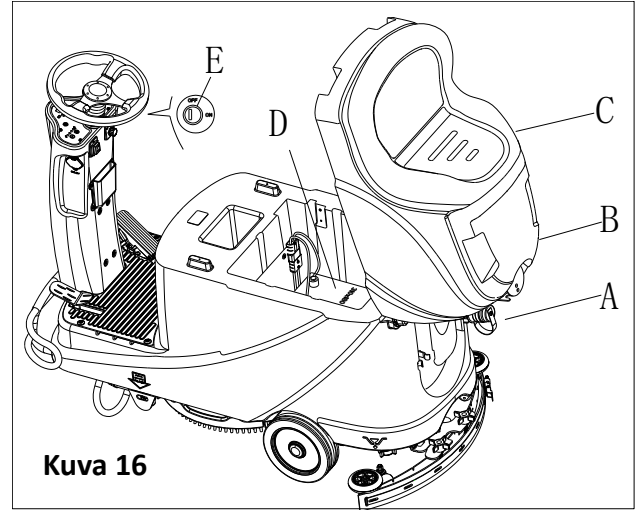
Akkuhappo on syövyttävää, jos iho tai silmät joutuvat kosketuksiin tämän hapon kanssa, kyseistä aluetta on välittömästi huuhdeltava raikasta vettä runsaasti käyttäen ja hakeuduttava sitten lääkärille.

Akkujen latauksen valmistelevat vaiheet

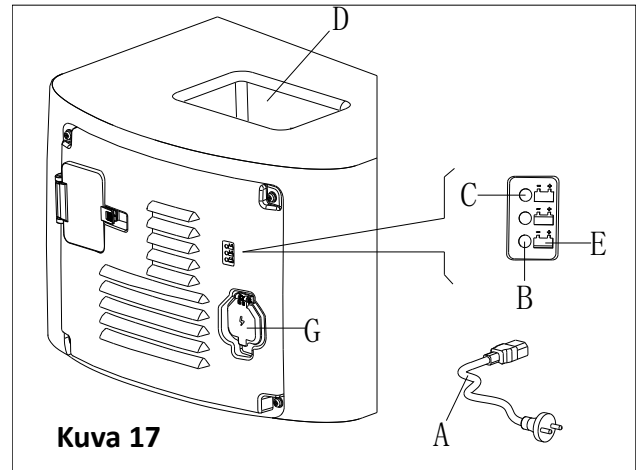
1. Avaa Likavesisäiliön kansi (B, Kuva 16) varmistaaksesi, että likavesisäiliö (C) on tyhjä, tai tyhjennä likavesisäiliö tyhjennysletkua (A) käyttäen.
2. Aja kone nimetylle latausalueelle.
3. Käännä virta-avain "OFF"-asentoon.
4. Tämä vaihe suoritetaan vain WET-akkuja käytettäessä:
 - Puhdista tarpeen mukaan akun pinnat.
 - Tarkista akun (D) elektrolyyttitaso, avaa tarpeen vaatiessa suoja elektrolyyttiä lisätäksesi, sulje sen jälkeen suoja.
 - Pidä suoja auki akkujen latauksen aikana.
5. Valitse yksi alla esitetyistä lataustiloista valitun akkulaturin tyyppin mukaisesti.

Käytä integroitua laturia akun lataukseen

6. Kytke akkulaturin kaapeli (A, Kuva 17) sähköpistokkeeseen (G), tällöin kaikki koneen toiminnot akkujen latausta lukuun ottamatta kytkeytyvät automaattisesti pois käytöstä. Normaalisti punaisena palava LED (B) osoittaa, että koneen akkujen lataus on käynnissä.
7. Akut ovat täysin ladattuja, kun vihreä LED (C) syttyä palamaan.
8. Irrota akkulaturin kaapeli sähköpistokkeesta, kun lataus on valmis, ja säilytä sitten akkulaturin kaapelia säilytyslaatikossa (D).



Kuva 16



Kuva 17

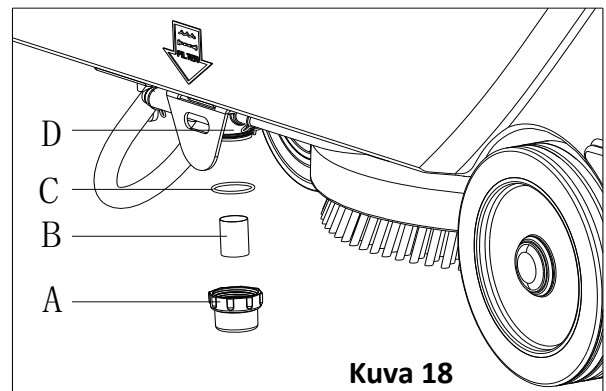
**HUOMAA**

Lisätietoja integroidusta akkulaturista (E, Kuva 17) esitetään kyseisen laturin toimittaneen yhtiön palvelukeskuksen tarjoamassa käsikirjassa.

HARJAN/VETOALUSTAN PUHDISTAMINEN**HUOMIO!**

Harja-/laikkapäätä puhdistettaessa tulisi käyttää suojakäsineitä, sillä siinä saattaa olla teräviä hiukkasia.

1. Irrota harja-/vetoalustaa harjainosasta aiemmissa kohdissa esitetyn ohjeen mukaan.
2. Puhdista harja-/vetoalusta vedellä ja puhdistusaineella.
3. Tarkista harjasten kunto ja, mikäli tarpeen, vaihda harja uuteen.
4. Tarkista kiillotuslaikan kunto ja, mikäli tarpeen, vaihda se uuteen.



Kuva 18

LIUKSEN SUODATTIMEN PUHDISTUS

1. Aja kone tasaiselle pinnalle.
2. Varmistu että kone on kytketty pois päältä.
3. Tyhjennä puhdasvesisäiliö (valinnainen vaihe).
4. Irrota liuksen suodattimen suojakansi (A, Kuva 18) voidaksesi puhdistaa suodatinverkon (B), palauta sen jälkeen osat omille paikoilleen suodatintelineeseen (D).



HUOMAA

Suodatinverkko (B) tulee sijoittaa oikein suodatintelineen koteloon (D).

IMUSUULAKKEEN PUHDISTAMINEN



HUOM

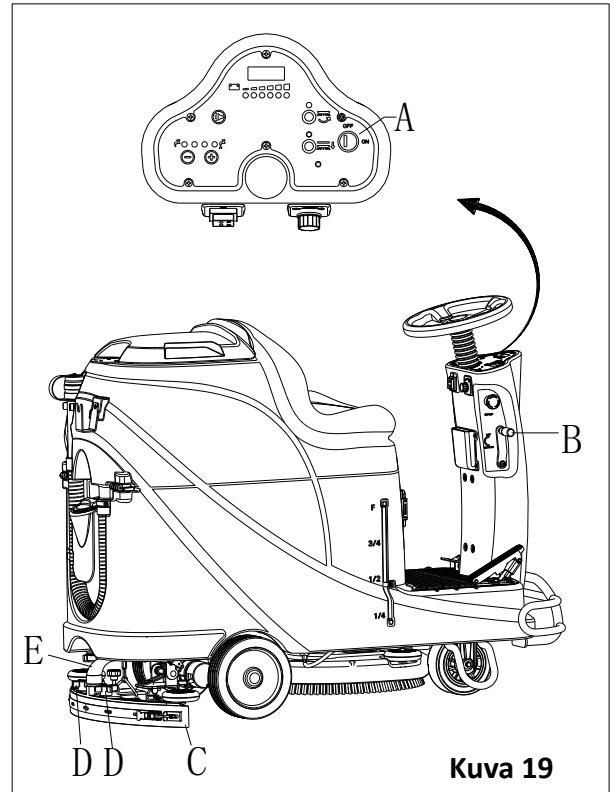
Imusuulakkeen pitää olla puhdas ja sen terien tulee olla hyvässä kunnossa hyvän kuivauksen saamiseksi.



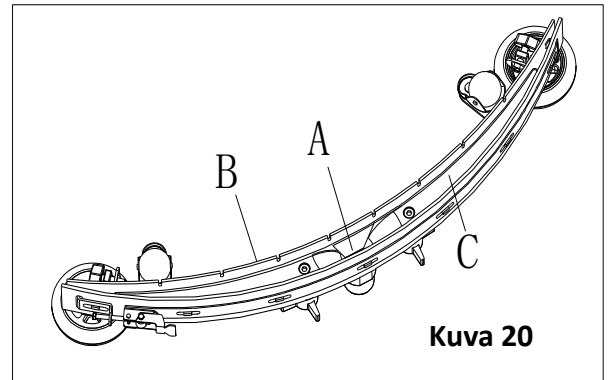
VAROITUS

On suositeltavaa käyttää suojakäsineitä puhdistettaessa suulaketta koska siellä voi olla teräviä roskia.

1. Aja kone tasaiselle lattialle.
2. Käännä virta-avain (A, Kuva 19) "OFF"-asentoon.
3. Laske imusuulake (B) vipua käyttäen (C).
4. Löysää nupit (D) ja poista imusuulake.
5. Irrota imuletku (E) imusuulakkeesta.
6. Puhdista alumiinista tai teräksestä valmistettu imusuulake, erityisesti sen lokerot (A, Kuva 20) ja aukot (B). Tarkista osan yhtenäisyys sekä mahdolliset etureunan (B) ja takareunan (C) leikkautumat ja repeämät. Korvaa osat uusilla tarpeen vaatiessa alla olevassa kappaleessa annettujen menettelytapojen mukaan.
7. Kokoa imusuulake toistamalla purkamisen yhteydessä esitetyt vaiheet käänteisessä järjestyksessä.



Kuva 19



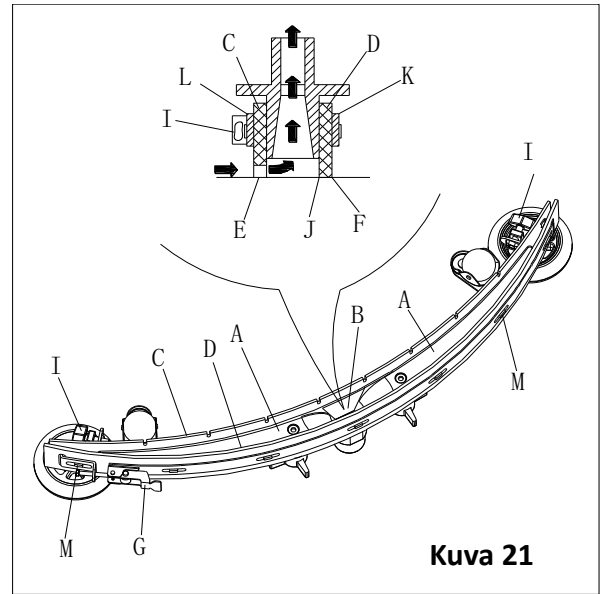
Kuva 20

SUULAKEKUMIEN TARKASTUS JA VAIHTO

1. Puhdista suulake, kuten näytetty edellisessä kappaleessa.
2. Tarkista, että etukumin (C) reunat (E, kuva 21) jatakakumin (D) reuna (F) lepäävät samalla tasolla pituussuunnassa; säädä tarvittaessa korkeutta seuraavan toimenpiteen mukaisesti:
 - Irrota vetotanko (G), irrota kiinnikkeet (M) ja säädä takasulka (D), kytke kiinnikkeet (M) ja asenna vetotanko (G).
 - Löysää nupit (I) ja säädä etukumi (C), ja kiristä sitten nupit.
3. Tarkista etukumin (C) ja takakumin (D) kuluminen ja mahdolliset leikkaukset ja repeämiset; vaihda ne tarvittaessa seuraavasti. Tarkista, että takakumin (D) etukulma (J) ei ole kulunut; käännä kumi tarvittaessa kuluneen kulman vaihtamiseksi ehjään. Jos muut kulmat ovat kuluneet, vaihda kumi seuraavasti:
 - Irrota vetotanko (G), irrota kiinnikkeet (M) ja poista pidättimen nauha (K), ja sitten vaihda / käännä takasulka (D). Asenna kumi takaisin päinvastaisessa järjestyksessä kuin purettaessa.
 - Kierrä nupit (I) auki ja poista pidättimen nauha (L), vaihda sitten etukumi (C). Asenna kumi takaisin päinvastaisessa järjestyksessä kuin purettaessa. Kumin vaihdon (tai kääntämisen) jälkeen, säädä korkeutta, kuten on esitetty edellisessä vaiheessa.
4. Liitä imuletku (A, Kuva 22) vetolastaan.
5. Asenna suulake (B) ja ruuvaa nupit (C) kiinni.
6. Säädä tarvittaessa suulakkeen tasapainon säätönuppia (D).

YLITÄYTTÖSUOJAN PUHDISTUS JA KANNEN TIIVISTEEN TARKASTUS

1. Aja kone tasaiselle alustalle.
2. Varmista, että kone on pois päältä ja virta-avain (40) on poistettu.
3. Käännä likavesisäiliön kantta (A, kuva 23) 90 astetta, jotta se irtoaa, ja ota tämän jälkeen kohosuodatin (P) ulos säiliöstä.
4. Puhdista likavesisäiliön kansi (A), likavesisäiliö (B), puhtaan veden säiliö (C) ja kohosuodattimen kehikko (E). Tyhjennä likavesisäiliö tyhjennysletkun kautta (15).
5. Mikäli tarpeen, katso mallia kuvan 23 merkeistä "OPEN" (Auki) ja "CLOSE" (Kiinni), ja avaa kohosuodattimen pohja (F). Puhdista tämän jälkeen koho (D), suodattimen kehikko (E) ja suodatinsieni (I). Kun puhdistus on suoritettu loppuun, kiinnitä koho (D) suodattimen kehikkoon (E) ja aseta suodattimen pohja paikalleen siten, että pohjassa (F) oleva merkki (L) tulee samaan kohtaan, kuin suodattimen kehikossa (E) oleva merkki (L). Kiristä pohja tiukasti paikalleen ja kiinnitä tämän jälkeen suodatinsieni (I) suodattimen kehikkoon (E). Kiinnitä kohosuodatin lopuksi likaveden imuletkuun (M).
6. Tarkista, että säiliön tiivistenauha on hyvässä kunnossa.



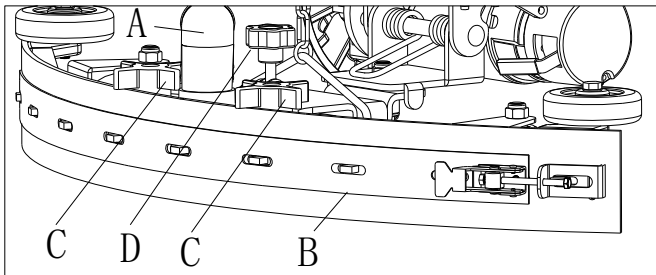
Kuva 21



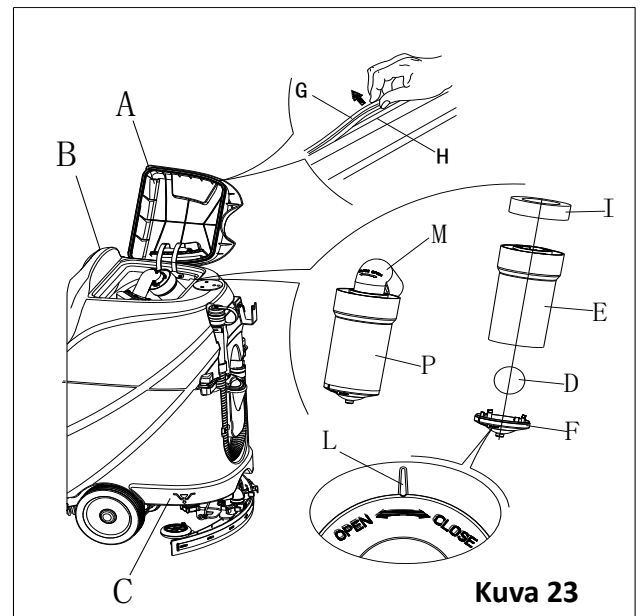
HUOMAUTUS

Säiliön tiivistenauha (G) pitää huolen siitä, että säiliöön syntyy tyhjiö imumoottorin ollessa päällä. Tiiviste on oltava pitävä, jotta laite kykenee imemään veden tehokkaasti lattiasta likavesisäiliöön.

7. Tarkista, että tiivistenauhan (G) kontaktipinta on ehjä, ja että nauha toimii asianmukaisella tavalla. Mikäli tarpeen, irrota nauha urastaan (H) ja korvaa se uudella. Uusi tiiviste tulisi asettaa kuvan 23 mukaisesti uran keskikohtaan.
8. Sulje likavesisäiliön kansi (A).



Kuva 22



Kuva 23

SULAKKEEN TARKISTUS/VAIHTO

1. Käännä virta-avain (D, Kuva 24) "OFF"-asentoon.
2. Irrota akun liitäntäkaapeli.
3. Irrota säätöpanelin ruuvit (C) ja käännä sitten PCBA-asetelmaa nähdäksesi sulakkeet (A ja B).
4. Tarkista/vaihda sulakkeet:
 - A) F1 on pienitehoisten virtapiirien sulake (5A)
 - B) F3 on harjaosan laskeutumisen sulake (20A)
5. Kun sulakkeen tarkistus/vaihto on suoritettu, kokoa asetelma toistamalla purkamisen yhteydessä esitetyt vaiheet käänteisessä järjestyksessä.
6. Tarkista tai nollaa moottorin ylikuormaussuoja.
 - E) F5 on imumoottorin ylikuormaussuoja (30A)
 - F) F4 on käyttömoottorin ylikuormaussuoja (30A)
 - G) F2 on harjamoottorin ylikuormaussuoja (30A)

VARUSTEET/LISÄVARUSTEET

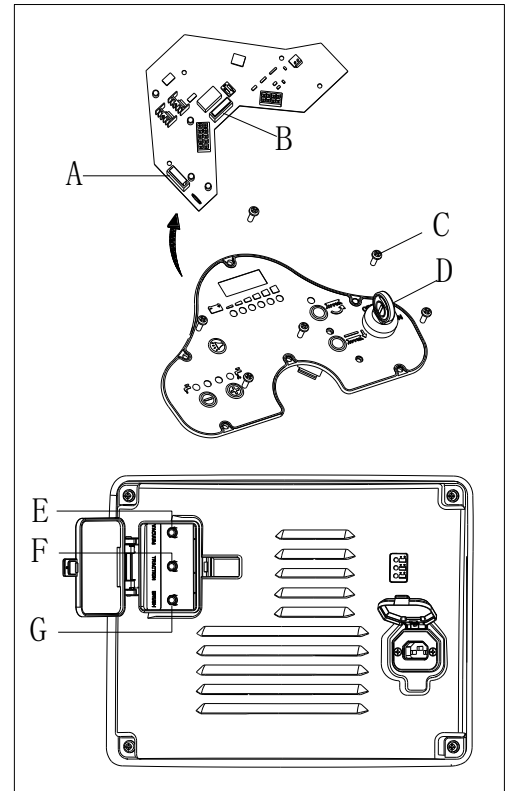
Vakiokomponenttien lisäksi kone voidaan varustaa seuraavilla varusteilla/lisävarusteilla koneen erityiskäytön mukaan.

Saat tarkempia tietoja edellä mainituista optisista lisävarusteista ottamalla yhteyttä valtuutettuun jälleenmyyjään.

Varusteet/Lisävarusteet

Katso "Osaluettelo"

1. GEELI-/AGM-akut.
2. Eri materiaaleista valmistetut tyynt



Kuva 24

VIANETSINTÄ

Vika	Todennäköiset syyt	Korjaus
Moottori ei toimi, mikään varoitusvalo ei syty (C9)	Akun liitin on irti	Yhdistä akun liitin
	Akut ovat täysin purkautuneet	Lataa akut
Kone ei toimi, punainen akun kapasiteetin varoitusvalo syttyy palamaan (C8)	Akkujen varaustaso on liian alhainen	Lataa akut
Kone ei kulje eteenpäin / taaksepäin	Ohjauspiirilevyn vika	Korvaa ohjauspiirilevy
	Ajomootorin ohjaimen vika	Katso "AJOMOOTTORIN VIKAILMAISIMEN TIEDOT"
	Käyttäjä ei istu paikoillaan	Asetu istuimelle
	Imusuulaketta ei nosteta, kun konetta käytetään taaksepäin	Nosta imusuulake
Harjamoottori ei toimi	Ohjauspiirilevyn vika	Korvaa ohjauspiirilevy
	Harjamoottorin ylikuormitus	Käytä puhdistukseen sopivaa, pehmeää harjaa ja nollaa harjamoottorin ylikuormitussuoja
	Harjamoottorin kontaktorin vika	Ota yhteyttä huoltopalveluun
	Harjamoottorin hiiliharjakset kuluneet	Ota yhteyttä huoltopalveluun
	Esineet estävät harjaa pyörimästä	Puhdista harja
Ajomoottori ei toimi	Ajomootorin häiriövalo syttyy palamaan	Katso kohtaa "AJOMOOTTORIN VIKAILMAISIMEN TIETOJA"
	Ajomootorin ylikuormitus	Nollaa ajomoottorin ylikuormitussuoja ja tarkista ajomoottori/virtapiiri
Imumoottori ei toimi	Imumoottorin ylikuormitus	Nollaa imumoottorin ylikuormitussuoja ja tarkista imumoottori

	Imumootorin releen vika	Ota yhteyttä huoltopalveluun
	Hallintavirtapiirin vika	Korvaa hallintavirtapiiri
Riittämätön imuteho, lattiaa ei voida kuivata	Talteenottosäiliö on täynnä	Tyhjennä talteenottosäiliö
	Imuletkun ja imusuulakkeen liitos on huono	Yhdistä imuletku ja imusuulake oikein
	Uimurin suodattimen tukos	Puhdista uimurin suodatin ja tarkista uimurin tila
	Imusuulake on likainen tai kulunut	Tarkista ja puhdista imusuulake
	Talteenottosäiliön kantta ei ole suljettu oikein, tai tiiviste on vahingoittunut, tai taivutettu putken osuus on tukossa	Sulje kansi oikein, tai korvaa tiiviste, tai puhdista taivutettu putki.
	Talteenottosäiliö on likainen	Puhdista talteenottosäiliö
	Harjaosaan ei tule riittävästi liuosta	Liuoksen suodatin on likainen
Liuoksen säiliö on tyhjä -varoitusvalo palaa		Täytä liuoksen säiliö
Liuoksen säiliö on liian likainen		Puhdista liuoksen säiliö
Imusuulake jättää naarmuja lattiaan	Imusuulakkeen reunan alla on roskia	Poista roskat
	Imusuulakkeen reuna on kulunut, likainen, vanhentunut	Korvaa imusuulakkeen reunaosat
	Imusuulakkeen tasapainoa ei olla säädetty	Säädä imusuulakkeen tasapaino
Ajomootorin jarrun vika	Jarru on lukittuna	Aseta jarru vapaaseen tilaan

AJOMOOTTORIN VIKAILMAISIMEN TIEDOT

LED KOODIT		VIKA	MAHDOLLINEN SYY
1.1	□□	LÄMPÖTILAAN LITTYVÄ VIKA	1. Lämpötila >80 °C tai < -10 °C. 2. Ajoneuvon liiallinen kuormitus. 3. Käyttö ääriolosuhteissa. 4. Sähkömagneettinen jarru on päällä.
1.2	□□□	VIKA KAASUTTAMISESSA	1. Kaasupolkimen tulojohto on avoimena tai oikosulussa. 2. Vika kaasuttimen potentiometrissä. 3. Valittuna on väärän tyyppinen kaasutus.
1.3	□□□□	NOPEUDEN POTENTIOMETRIN VIKA	1. Nopeutta rajoittavan potentiometrin johto/johdot vaurioituneet tai oikosulussa. 2. Rikkinäinen nopeutta rajoittava potentiometri.
1.4	□□□□□	ALIJÄNNITEVIKA	1. Akun jännite <17 voltia. 2. Huono akun tai ohjauspiirin kontakti.
1.5	□□□□□□	YLIJÄNNITEVIKA	1. Akun jännite >31 voltia. 2. Ajoneuvoa käytetään laturin ollessa kytkettynä. 3. Ajoittainen häiriö akun liitännöissä.
2.1	□□□	PÄÄVIRTA POISSA -VIKA	1. Pääkontaktorin ajurin virhe - avoinna.
2.3	□□□□□	PÄÄVIRRRAN VIKA *	1. Pääkontaktorin ajurin virhe – hitsautunut tai juuttunut auki. 2. Pääkontaktorin ajurin virhe.
2.4	□□□□□□	PÄÄVIRTA PÄÄLLÄ -VIKA	1. Pääkontaktorin ajurin virhe - avoinna.
3.1	□□□□	KAPELOINTIVIKA *	1. Väärin säädetty kaasupoljin. 2. Rikkinäinen kaasuttimen potentiometri tai kaasutinmekanismi.
3.2	□□□□□	JARRU PÄÄLLÄ -VIKA	1. Sähkömagneettisen jarrun ajuri oikosulussa. 2. Sähkömagneettisen jarrun kela avoinna.

3.3	☐☐☐☐☐☐☐	ESILATAUKSEN VIKA *	1. Jarrun ajuri oikosulussa. 2. Esilatauksen virtapiiri vahingoittunut. 3. MOSFET-vika.
3.4	☐☐☐☐☐☐☐☐	JARRU POIS PÄÄLTÄ -VIKA	1. Sähkömagneettisen jarrun ajuri avoinna. 2. Sähkömagneettisen jarrun kela oikosulussa.
3.5	☐☐☐☐☐☐☐☐☐	HPD-VIKA	1. Väärän tyyppinen kiihdytyssekvenssi ja KSI-, työntö- tai estosyöte. 2. Väärin säädetty kaasutuksen potentio-metri.
4.1	☐☐☐☐☐☐	VIKA JÄNNITTEEN HAVAITSEMISESSA *	1. Oikosulku moottorissa tai sen johdotuksessa. 2. Ohjaimen virhe.
4.2	☐☐☐☐☐☐☐	HARDWARE FAILSAFE *	1. Moottorin jännite ei vastaa kaasutuspyyntöä. 2. Oikosulku moottorissa tai sen johdotuksessa. 3. Ohjaimen virhe.
4.3	☐☐☐☐☐☐☐☐	EEPROM-TARKISTUSSUMMAN VIKA †	1. EEPROM-häiriötila tai -virhe.
4.5	☐☐☐☐☐☐☐☐☐☐	AKUN KYTKENTÄHÄIRÖSTÄ JOHTUVA VIKA *	1. Akkua ei ole kytketty. 2. Liitos akun napoihin on huono.

* = Kytkimiä pitää käyttää jaksottaen virheen korjaamiseksi.

† = Ohjelmointitilaa tarvitaan virheen korjaamiseksi seuraavasti: valikoi Program-valikko, muuta minkä tahansa säätöarvon mitä tahansa tietoarvoa, käytä kytkimiä jaksoittain.



HUOMAA

Integroidulla laturilla varustettua laitetta ei voida käyttää silloin, kun integroidussa laturissa ilmenee toimintahäiriö, ole hyvä ja ota yhteyttä valtuutettuun korjauskeskukseemme apua saadaksesi.

KIERRÄTYS

Laite tulee toimittaa hävitettäväksi asianmukaiseen jätteidenkäsittelylaitokseen.

Ennen hävittämistä, irrota laitteesta seuraavat osat, ja toimita ne kierrätettäväksi/hävitettyäksi voimassa olevan lainsäädännön mukaisella tavalla.

- Akku/akut
- Harja-/vetoalusta
- Muoviletkut ja -osat
- Elektroniset ja sähköiset komponentit (*)

(*) Ole hyvä ja ota yhteyttä palvelukeskukseemme, jos mikä tahansa sähköinen tai elektroninen komponentti pitää kierrättää.

TABELA DE CONTEÚDOS

INTRODUÇÃO	221
CONTEÚDO E OBJECTIVO DO MANUAL	221
COMO GUARDAR ESTE MANUAL	221
DECLARAÇÃO DE CONFORMIDADE	221
ACESSÓRIOS E MANUTENÇÃO	221
ALTERAÇÃO E MELHORAMENTO	221
ÂMBITO DE APLICAÇÃO	221
DADOS DE IDENTIFICAÇÃO DA MÁQUINA	221
TRANSPORTE E DESEMBALAGEM	221
SEGURANÇA	222
SÍMBOLOS QUE APARECEM NO MANUAL DE INSTRUÇÕES DE UTILIZAÇÃO	222
INSTRUÇÕES DE SEGURANÇA IMPORTANTES	222
DESCRIÇÃO DA MÁQUINA	224
ESTRUTURA DA MÁQUINA	224
PAINEL DE CONTROLO	225
INFORMAÇÃO DO ECÃ LED	225
JANELA DE EXIBIÇÃO DA LUZ INDICADORA DO CARREGADOR	225
PARÂMETROS TÉCNICOS	226
DIAGRAMA DO CIRCUÍTO	227
GUIA DE OPERAÇÃO	229
INSTALAÇÃO E CONFIGURAÇÃO DE BATERIA NOVA	229
INSTALAÇÃO DA BATERIA E DEFINIÇÃO DO TIPO DE BATERIA (WET OU GEL/AGM)	229
TRAVAGEM DE EMERGÊNCIA	231
INSTALAÇÃO E DESINSTALAÇÃO DA ESCOVA/ALMOFADA	231
AJUSTE DO EQUILÍBRIO DO SQUEEGEE	232
ENCHIMENTO DO TANQUE DE SOLUÇÃO	232
INICIAR E PARAR A MÁQUINA	233
OPERAÇÃO DA MÁQUINA (ESFREGAR E SECAR)	234
ESVAZIAMENTO DO TANQUE	235
DEPOIS DE UTILIZAR A MÁQUINA	235
INACTIVIDADE DURANTE LONGO PERÍODO DE TEMPO	235
PRIMEIRA UTILIZAÇÃO	236
MANUTENÇÃO	236
TABELA DE MANUTENÇÃO PROGRAMADA	236
CARREGAMENTO DA BATERIA	236
LIMPEZA DA ESCOVA/ESPONJA	237
LIMPEZA DO FILTRO DE SOLUÇÃO	238
LIMPEZA DO SQUEEGEE	238
VERIFICAÇÃO E SUBSTITUIÇÃO DA LÂMINA DO SQUEEGEE	238
TANQUE E GRELHA DE VÁCUO COM LIMPEZA DE FLUTUADOR, E VERIFICAÇÃO DE JUNTA DE TAMPA	239
VERIFICAÇÃO/SUBSTITUIÇÃO DOS FUSÍVEIS	240
ACESSÓRIOS/OPÇÕES	240
RESOLUÇÃO DE PROBLEMAS	240
ELIMINAÇÃO	242

INTRODUÇÃO



NOTA

Os números em parêntesis referem-se aos componentes mostrados no capítulo da Descrição da Máquina.

CONTEÚDO E OBJECTIVO DO MANUAL

O objectivo deste Manual de Instruções de Utilização é fornecer ao utilizador as informações necessárias sobre a utilização segura e adequada da máquina. Contém informação sobre os dados técnicos, segurança, operação, armazenamento, manutenção, peças de substituição e eliminação.

Antes de realizar qualquer procedimento na máquina, os operadores e técnicos devem ler atentamente este Manual independentemente das suas qualificações ou experiência. Contacte o nosso centro de assistência caso tenha alguma dúvida sobre este manual ou se necessitar de mais informações.

Os operadores não devem realizar procedimentos que devem ser realizados por técnicos qualificados. A nossa empresa não se responsabiliza por danos no caso do incumprimento deste aviso.

COMO GUARDAR ESTE MANUAL

O Manual deve ser guardado perto da máquina, dentro de uma caixa adequada, longe de líquidos e outras substâncias que possam causar danos.

DECLARAÇÃO DE CONFORMIDADE

A Declaração de Conformidade é fornecida juntamente com a máquina e certifica-a sobre o cumprimento das leis.



NOTA

São fornecidas cópias da declaração de conformidade original juntamente com a documentação da máquina.

ACESSÓRIOS E MANUTENÇÃO

Todos os procedimentos de operação, manutenção e reparação devem ser realizados por pessoal qualificado, ou pelo centro de assistência nomeado pela nossa empresa. SÓ devem ser utilizadas peças de substituição e acessórios autorizados.

Contacte no nosso apoio ao cliente para qualquer tipo de assistência ou compra de acessórios ou peças de substituição, se necessário.

ALTERAÇÃO E MELHORAMENTO

Empenhamo-nos sobre o melhoramento contínuo dos nossos produtos, e por isso reservamo-nos ao direito de alterar e melhorar as nossas máquinas sem aviso prévio.

ÂMBITO DE APLICAÇÃO

Esta escova é utilizada em ambientes domésticos e industriais, e é adequada para a limpeza de chão suave e duro, devendo ser operada por pessoal qualificado em circunstâncias seguras. Esta escova não pode ser utilizada para limpeza no exterior, em tapetes nem em chão relativamente áspero.

DADOS DE IDENTIFICAÇÃO DA MÁQUINA

O número de série da máquina e o nome do modelo situam-se na etiqueta de série.

Esta informação é útil. Utilize a tabela seguinte para apontar os dados de identificação da máquina quando pedir as peças de substituição para a máquina.

MODELO DA MÁQUINA.....
NÚMERO DE SÉRIE DA MÁQUINA.....

TRANSPORTE E DESEMBALAGEM

Quando a transportadora entregar a máquina, certifique-se que a embalagem e a máquina estão completas e sem danos. Se estiverem danificadas, notifique a transportadora sobre os danos antes de aceitar o produto para se reservar ao direito de compensação dos mesmos.

Siga atentamente as instruções da embalagem quando desembalar a máquina.

Verifique a embalagem para se assegurar que os itens seguintes estão todos incluídos:

1. Documentação técnica incluindo o manual do utilizador e manual do carregador de bordo caso o carregador de bordo seja equipado.
2. Cabo do carregador caso o carregador de bordo esteja equipado.

SEGURANÇA

Os símbolos seguintes indicam potenciais situações perigosas. Leia atentamente esta informação e siga as precauções necessárias para proteger as pessoas e propriedade à sua volta.

SÍMBOLOS QUE APARECEM NO MANUAL DE INSTRUÇÕES DE UTILIZAÇÃO



PERIGO!

Indica uma situação perigosa com risco de morte para o operador.



AVISO!

Indica um risco de ferimento potencial para pessoas.



CUIDADO!

Indica cuidados ou notificação relacionados com funções importantes ou úteis. Preste atenção aos parágrafos marcados por este símbolo.



NOTA

Indica uma notificação relacionada com funções importantes ou úteis.



CONSULTA

Indica a necessidade de consulta do manual de Instruções de Utilização antes de realizar qualquer procedimento.

INSTRUÇÕES DE SEGURANÇA IMPORTANTES

Avisos e cuidados específicos a informar sobre danos potenciais a pessoas e à máquina são exibidos abaixo.



PERIGO!

- Esta máquina deve ser operada por pessoal treinado e autorizado de acordo com as instruções do manual.
- Antes de realizar qualquer procedimento de limpeza, manutenção, reparação ou substituição, leia atentamente todas as instruções, assegure-se que define a máquina para OFF e desliga a bateria do conector.
- Não opere a máquina perto de pós, líquidos ou vapores tóxicos, perigosos, inflamáveis e/ou explosivos. Esta máquina não se adequa para recolha de pós perigosos.
- Não utilize jóias quando trabalhar perto de componentes eléctricos.
- Não utilize a máquina em locais altos sem suportes de segurança adequados.
- Quando utilizar baterias de chumbo (WET), estas podem emitir gás inflamável durante a utilização normal. Deve manter faíscas, chamas e materiais para fumar, assim como itens irradiantes, iluminados e em chamas longe das baterias.
- Quando carregar as baterias de chumbo (WET), estas podem emitir gás de hidrogénio que poderá ser explosivo. Assegure-se que o ambiente de carregamento está bem ventilado e longe de chamas abertas.

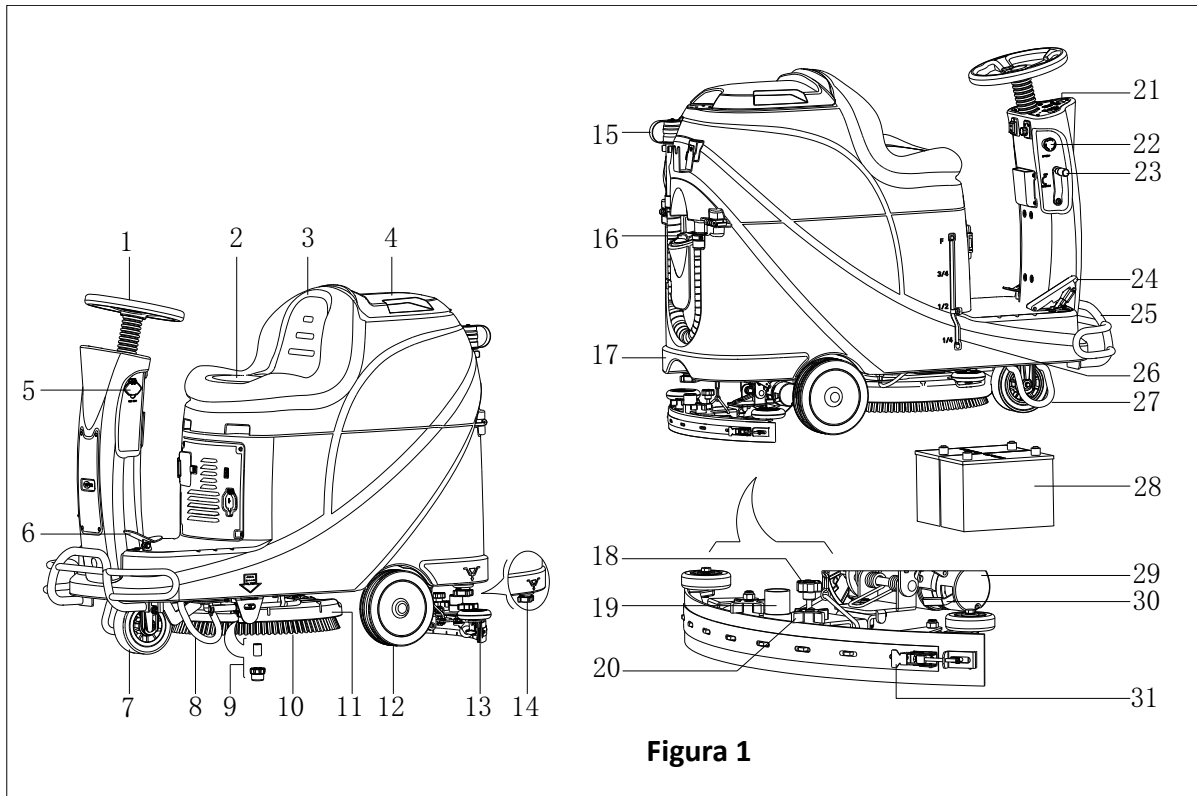


AVISO!

- Inspeccione atentamente a máquina antes de cada utilização. Assegure-se que todos os componentes estão bem montados antes de utilizar. Caso contrário, poderá causar danos a pessoas e propriedades.

- Antes de utilizar o carregador de bateria, assegure-se que os valores de frequência e voltagem indicados na etiqueta de número de série da máquina correspondem aos da corrente.
- Nunca mova a máquina puxando pelo cabo de carregamento da bateria. Não deixe o cabo trilhado em portas fechadas, ou enrolado em beiras e cantos afiados. Não deixe que a máquina passe por cima do cabo do carregador da bateria. Mantenha o cabo do carregador da bateria longe de superfícies quentes.
Não carregue as baterias caso o cabo ou ficha do carregador estiverem danificados.
- Para reduzir o risco de incêndio, choque eléctrico ou ferimentos, certifique-se que a máquina está desligada antes de sair.
- Utilize ou armazene a máquina no interior em ambientes secos. Não é permitida a utilização no exterior.
- As temperaturas de armazenamento e funcionamento da máquina devem ser entre 0 °C e +40 °C e a humidade do ar deve ser entre 30% e 95%.
- Não utilize a máquina em rampas com um gradiente que exceda o especificado.
- Quando utilizar ou manusear detergentes de limpeza de chão, siga as instruções nas etiquetas da garrafa dos detergentes e utilize luvas e protecções adequadas.
- Utilize as escovas e esponjas fornecidas com a máquina ou como definido no manual. A utilização de outras escovas ou esponjas podem reduzir a segurança.
- Em caso de problemas de funcionamento da máquina, assegure-se que não é devido a problemas de manutenção. Se necessário, peça assistência a pessoal autorizado ou a um Centro de Assistência autorizado.
- Tome todas as precauções para prevenir que cabelos, jóias e roupas largas fiquem presas nas peças móveis da máquina.
- Não utilize a máquina em áreas particularmente sujas.
Não lave a máquina com jactos de água directos ou pressurizados, ou com substâncias corrosivas.
- Não deixe ir contra prateleiras ou andaimes, especialmente quando existe o risco de caírem objectos.
- Não deite líquidos directamente do recipiente na máquina. Utilize o suporte de garrafas relevante.
- Para evitar danos no chão, não deixe a escova/esponja a funcionar enquanto a máquina estiver parada.
- Em caso de incêndio, utilize um extintor de incêndio em pó seco. Não utilize extintores de incêndio líquidos.
- Não retire nem modifique as etiquetas da máquina.
- Não adultere as protecções da máquina e siga atentamente as instruções de manutenção.
- Preste atenção quando a temperatura é inferior ao ponto de congelamento durante o transporte. A água no tanque de recuperação e nas mangueiras pode congelar e causar danos sérios à máquina.
- Se precisar de substituir alguma peça, compre peças de substituição ORIGINAIS de Revendedores ou Lojas Autorizadas.
- Devolva a máquina ao Centro de Assistência se não funcionar normalmente ou se estiver danificada, colocada no exterior ou deixada cair na água.
- Para assegurar a operação adequada e segura, a manutenção programada mostrada no capítulo relevante deste Manual, deve ser realizada por pessoal ou Centro de Assistência autorizados.
- A máquina deve ser eliminada correctamente uma vez que contém materiais tóxicos e perigosos (baterias, etc.) que estão sujeitos aos padrões que requerem eliminação em centros especiais (consulte o capítulo Demolição).
- Esta máquina serve unicamente como ferramenta de limpeza e nunca para outros propósitos.
- Mantenha sempre as aberturas limpas de pó, cabelos e outros materiais estranhos que possam reduzir o fluxo de ar. Não utilize a máquina que as aberturas estiverem entupidas.
- Utilize a máquina unicamente com boa iluminação.
- Esta máquina não é recomendada para utilização por pessoas com capacidades físicas, sensoriais ou mentais reduzidas, ou falta de experiência e conhecimento, a menos que tenham supervisão ou tenham sido instruídas sobre a utilização da máquina pela pessoa responsável pela sua segurança.
- Preste atenção quando utilizar perto de crianças.
- As crianças devem ser supervisionadas para assegurar que não brincam com a máquina.
- Tenha cuidado para não causar danos a pessoas e objectos durante a utilização desta máquina.

DESCRIÇÃO DA MÁQUINA ESTRUTURA DA MÁQUINA (como exibido na Figura 1)



- | | |
|----------------------------------|--|
| 1. Volante | 17. Tanque de solução |
| 2. Almofada do assento | 18. Botão de ajuste do squeegee |
| 3. Tanque de recuperação | 19. Mangueira de vácuo |
| 4. Capa do tanque de recuperação | 20. Botão do squeegee |
| 5. Porta de carregamento USB | 21. Painel de controlo |
| 6. Pedal | 22. Interruptor de emergência |
| 7. Roda frontal | 23. Alavanca de levantar/baixar o squeegee |
| 8. Suporte esquerdo | 24. Pedal de aceleração |
| 9. Filtro de Solução | 25. Pára-choques frontal |
| 10. Escova | 26. Indicador de nível de solução |
| 11. Protecção da escova | 27. Suporte direito |
| 12. Roda traseira | 28. Bateria |
| 13. Montagem do squeegee | 29. Motor de ignição |
| 14. Tampa de saída de solução | 30. Suporte do bloco de travagem |
| 15. Mangueira de drenagem | 31. Fecho do squeegee |
| 16. Tampa de entrada de água | |

DESCRIÇÃO DA MÁQUINA

PAINEL DE CONTROLO (como exibido na Figura 2)

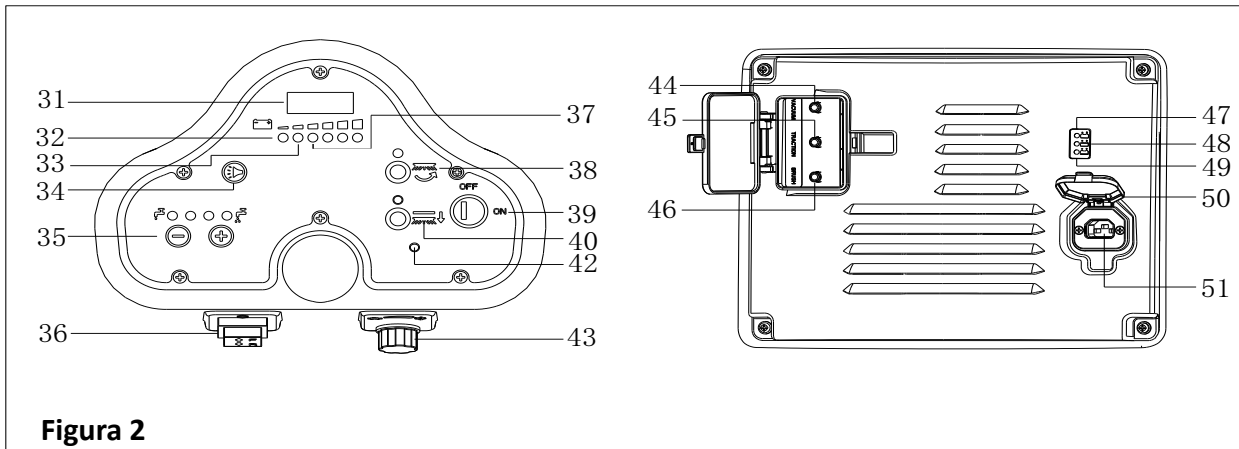


Figura 2

- | | |
|--|---|
| 31. Ecrã LED | 42. Luz de problema no motor de ignição |
| 32. Luz de aviso de bateria descarregada (vermelho) | 43. Botão de ajuste da velocidade |
| 33. Indicador de semi-descarregamento da bateria (amarelo) | 44. Protetor de sobrecarga do motor a vácuo |
| 34. Botão da buzina | 45. Protetor de sobrecarga do motor de ignição |
| 35. Botão de ajuste de volume de solução | 46. Protetor de sobrecarga do motor da escova |
| 36. Interruptor de Frente-Trás | 47. Indicador de bateria carregada (verde) |
| 37. Indicador de bateria descarregada (verde) | 48. Indicador de semi-carregamento da bateria (amarelo) |
| 38. Botão da escova | 49. Indicador de carregamento da bateria (vermelho) |
| 39. Interruptor de chave | 50. Capa da ficha de carregamento |
| 40. Botão de descarga da escova | 51. Ficha de carregamento |

INFORMAÇÃO DO ECÃ LED

STOP - A máquina não se pode mexer, a escova para de funcionar mas o motor a vácuo funciona

(00012.3) – Total de horas de funcionamento da máquina é de 12.3 horas

LO-(18) – Voltagem da bateria inferior a 18V

U-(25.5) – Voltagem da bateria é 25.5V

ERR-01 – Squeegee não está elevado quando a máquina vira para trás

JANELA DE EXIBIÇÃO DA LUZ INDICADORA DO CARREGADOR (como exibido na Figura 2)

1. No início do carregamento, o LED vermelho (49) do carregador está normalmente aceso. É o primeiro estágio de carregamento.
2. Após carregar durante algum tempo, o LED vermelho (49) desliga-se, o LED amarelo (48) liga-se; este é o segundo estágio de carregamento.
3. Quando o carregamento estiver completo, o LED amarelo (48) desliga-se, o LED verde (47) liga-se para indicar que a bateria está completamente carregada.



NOTA

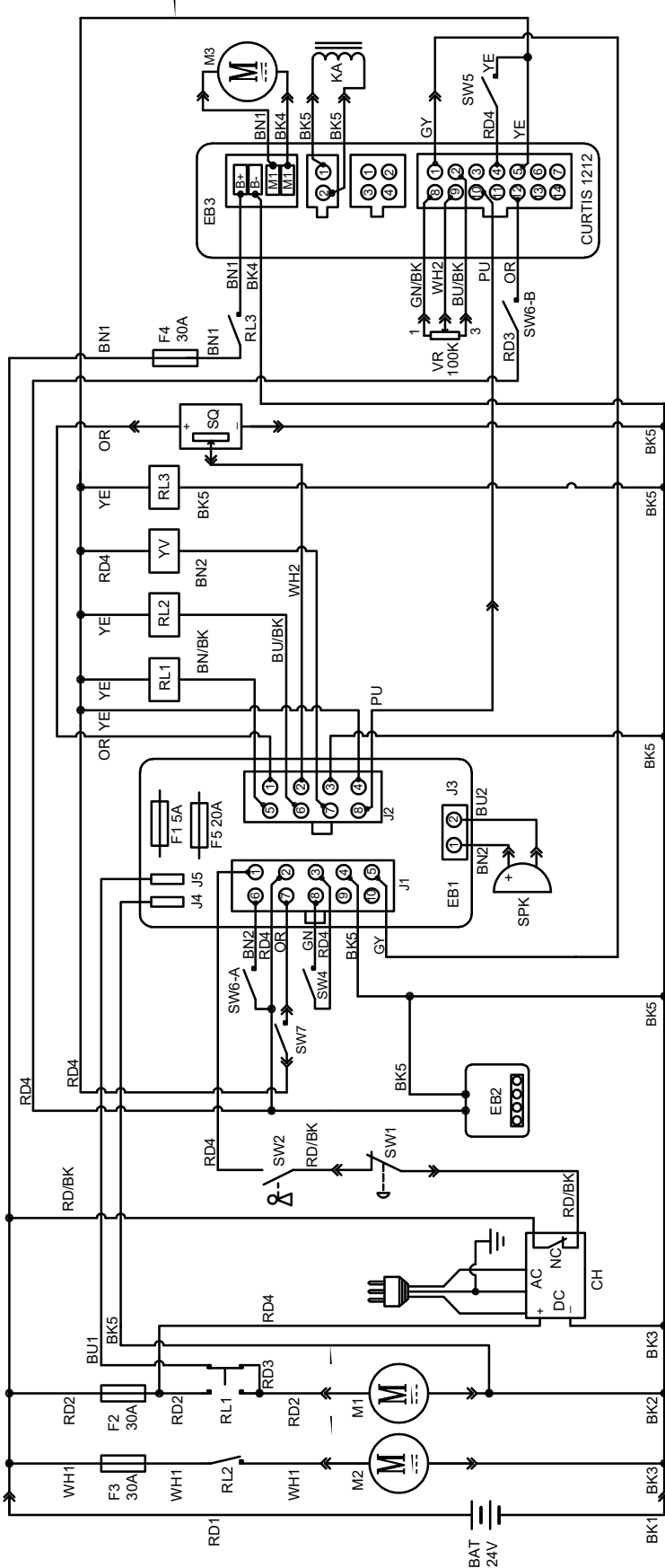
No processo de carregamento, se a luz amarela (48) estiver ligada, pode ser devido a: Bateria e carregador não correspondem, bateria não está bem ligada ou a saída tem curto-circuito.

A luz vermelha do carregado a piscar pode ser causada por curto-circuito interno no carregador.

PARÂMETROS TÉCNICOS

MODELO	AS530R	
Dimensões da embalagem (C x L x A)	mm	1470*730*1310
Altura da máquina	mm	1120
Comprimento da máquina	mm	1360
Largura da máquina (sem o squeegee)	mm	580
Peso da máquina com tanques vazios (sem baterias)	Kg	140
Peso bruto do veículo (GVW)	Kg	270
Peso de envio	Kg	245
Capacidade do tanque de solução	Litro	72
Capacidade do tanque de recuperação	Litro	73
Energia do motor a vácuo	Watts	400
Capacidade de vácuo	mm H ₂ O	1223
Capacidade de subida (Máx.)	%	10
Diâmetro da roda frontal	mm	φ175
Diâmetro da roda traseira	mm	φ230
Nível de som	dB(A)	69
Fluxo de solução/água	L/min	0.84-2.0
Largura de funcionamento	mm	530
Largura do squeegee	mm	730
Diâmetro da escova/esponja	mm	530
Energia do motor da escova	Watts	450
Velocidade da escova	Rpm	160
Pressão da escova/esponja (Máx.)	Kg	23
Energia do motor de condução	Watts	300W
Velocidade de funcionamento	Km/h	5.5km/h
Voltagem	V	24V
Bateria (opcional)	Ah	2x100AH (20 horas)
Carregador da bateria (opcional)	V/A	24V 10A
Tamanho do compartimento da bateria (C x L x A)	mm	350*380*300
Especificação do carregador USB	V/A	5V, 0.8A

DIAGRAMA DO CIRCUÍTO



WIRE ROD		WIRE ROD	
RD1	RED/6AWG	BN/BK	BROWN/BLACK / 20AWG
RD2	RED/10AWG	BU1	BLUE/18AWG
RD3	RED/18AWG	BU2	BLUE/20AWG
RD4	RED/20AWG	BU/BK	BLUE/BLACK / 20AWG
RD/BK	RED/BLACK / 20AWG	GN	GREEN/20AWG
BK1	BLACK/6AWG	GN/BK	GREEN/BLACK/20AWG
BK2	BLACK/10AWG	GY	GRAY/20AWG
BK3	BLACK/12AWG	PU	PURPLE/20AWG
BK4	BLACK/14AWG	OR	ORANGE/20AWG
BK5	BLACK/18AWG	YE	YELLOW/20AWG
BN1	BROWN/14AWG	WH1	WHITE/12AWG
BN2	BROWN/20AWG	WH2	WHITE/20AWG

COMPONENTS		COMPONENTS	
BAT	24V BATTERIES	KA	BRAKE
CH	BATTERY CHARGER	M1	BRUSH MOTOR
EB1	CONTROL PANEL BOARD	M2	VACUUM MOTOR
EB3	USB CHARGING ELECTRONIC BOARD	M3	DRIVE MOTOR
RL1	DRIVE ELECTRONIC BOARD	SW1	EMERGENCY-STOP SWITCH
RL2	BRUSH MOEOR ELECTROM SWITCH	SW2	KEY SWITCH
RL3	VACUUM MOEOR ELECTROM SWITCH	SW4	VACUUM MOTOR SWITCH
YV	WATER ELECTROVALVE	SW5	OPTIONAL MODE SWITCH
F1	CONTROL PANEL BOARD FUSE	SW6-A	OPTIONAL REVERSE SWITCH
F2	BRUSH MOTOR CIRCUIT BREAKER	SW6-B	OPTIONAL REVERSE SWITCH
F3	VACUUM MOTOR CIRCUIT BREAKER	SW7	SEAT SWITCH
F4	DRIVE SYSTEM CIRCUIT BREAKER	SQ	FOOT THROTTLE
F5	BRUSH RELEASE FUSE	SPK	12VDC BUZZER
		VR	SPEED POTENTIOMETER

COMPONENTES		COMPONENTES	
BAT	BATERIAS 24V	M1	MOTOR DA ESCOVA
CH	CARREGADOR DE BATERIA	M2	MOTOR A VÁCUO
EB1	PLACA DO PAINEL DE CONTROLO	M3	MOTOR DE IGNIÇÃO
EB2	PLACA ELECTRÓNICA DE CARREGAMENTO USB	SW1	INTERRUPTOR DE PARAGEM DE EMERGÊNCIA
EB3	PLACA ELECTRÓNICA DE DIRECÇÃO	SW2	INTERRUPTOR DE CHAVE
RL1	INTERRUPTOR ELECTROM MOEOR DA ESCOVA		
RL2	INTERRUPTOR ELECTROM MOEOR DE VÁCUO	SW4	INTERRUPTOR DO MOTOR A VÁCUO
RL3	INTERRUPTOR DE ELECTROM DO SISTEMA DE DIRECÇÃO	SW5	INTERRUPTOR DE MODO OPCIONAL
YV	ELECTROVÁLVULA DE ÁGUA	SW6-A	INTERRUPTOR DE REVERSO OPCIONAL
F1	FUSÍVEL DA PLACA DO PAINEL DE CONTROLO	SW6-B	INTERRUPTOR DE REVERSO OPCIONAL
F2	DISJUNTOR DO MOTOR DA ESCOVA	SW7	INTERRUPTOR DO ASSENTO
F3	DISJUNTOR DO MOTOR A VÁCUO	SQ	ACELERADOR DE PÉ
F4	DISJUNTOR DO SISTEMA DE DIRECÇÃO	SPK	SIRENE 12VDC
F5	FUSÍVEL DE LIBERTAÇÃO DA ESCOVA	VR	POTENCIÓMETRO DE VELOCIDADE
KA	TRAVÃO		

FIO LAMINADO		FIO LAMINADO	
RD1	VERMELHO/6AWG	BN/BK	CASTANHO/PRETO/20AWG
RD2	VERMELHO/10AWG	BU1	AZUL/18AWG
RD3	VERMELHO/18AWG	BU2	AZUL/20AWG
RD4	VERMELHO/20AWG	BU/BK	AZUL/PRETO/20AWG
RD/BK	VERMELHO/PRETO/20AWG	GN	VERDE/20AWG
BK1	PRETO/6AWG	GN/BK	VERDE/PRETO/20AWG
BK2	PRETO/10AWG	GY	CINZENTO/20AWG
BK3	PRETO/12AWG	PU	ROXO/20AWG
BK4	PRETO/14AWG	OU	LARANJA/20AWG
BK5	PRETO/18AWG	YE	AMARELO/20AWG
BN1	CASTANHO/14AWG	WH1	BRANCO/12 AWG
BN2	CASTANHO/20AWG	WH2	BRANCO/20AWG

GUIA DE OPERAÇÃO



AVISO!

Preste atenção a estes símbolos neste manual:

- PERIGO!
- AVISO!
- CUIDADO!
- CONSULTA

Nunca cubra estes símbolos e substitua-os de imediato caso se danifiquem.

INSTALAÇÃO E CONFIGURAÇÃO DE BATERIA NOVA



AVISO!

Os componentes eléctricos da máquina podem ser seriamente danificados caso as baterias estejam instaladas ou ligadas incorrectamente.

As baterias devem ser instaladas por técnicos qualificados. Defina o carregador da bateria (opcional) e a máquina PCBA de acordo com o tipo de bateria (WET ou GEL/AGM).

Verifique se as baterias estão danificadas antes de instalar.

Desligue o conector da bateria e a ficha do carregador.

Manuseie as baterias com cuidado.



NOTA

A máquina requere duas baterias de 12V, ligando-as de acordo com a Figura 3.

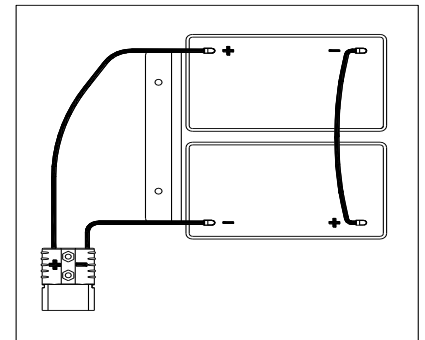


Figura 3

A máquina pode ser operada com um dos seguintes modos de bateria:

A) As baterias WET ou GEL/AGM já estão instaladas e prontas a utilizar

1. Inspeccione as baterias e ligue o conector da bateria à máquina.
2. Insira o interruptor da chave (40) e defina para "on". Se a luz verde (37) se ligar, as baterias estão completamente carregadas; se a luz amarela ou vermelha (33 ou 32) se ligarem, as baterias devem ser carregadas.

B) Sem Baterias

1. Se a sua máquina não estiver equipada com baterias, compre as baterias adequadas [Consulte o Parágrafo dos Dados Técnicos]. Para a escolha e instalação da bateria, consulte Revendedores de baterias qualificados.
2. Quando as baterias estiverem prontas, defina a bateria e o carregador de acordo com o tipo de baterias instaladas, e siga os procedimentos mostrados no parágrafo seguinte.

INSTALAÇÃO DA BATERIA E DEFINIÇÃO DO TIPO DE BATERIA (WET OU GEL/AGM)

Defina o painel de circuito electrónico da máquina e o carregador da bateria de acordo com o tipo de bateria (WET ou GEL/AGM) seguindo os passos abaixo:



NOTA

Quando instalar baterias novas, siga a Figura 4 para definir o interruptor DIP, ou as baterias podem ser danificadas pelas definições incorrectas.

Definição da máquina

1. Insira o interruptor de chave (40) e defina para "ON"; preste atenção ao seguinte durante os primeiros segundos do funcionamento da máquina:
 - Se a luz verde (37) piscar, a máquina está definida para utilizar baterias GEL/AGM.
 - Se a luz amarela (33) piscar, a máquina está definida para utilizar baterias Discover EV AGM.
 - Se a luz vermelha (32) piscar, a máquina está definida para utilizar baterias WET.
2. Siga os seguintes passos para alterar as definições da máquina.

3. As definições de fábrica da máquina são para utilizar baterias Discover EV AGM. Se a definição corresponder à baterias seleccionadas, vá para o passo 6, ou siga os passos seguintes.
4. Desaparafuse o parafuso (B, Figura 4) no painel de controlo, e gire o PCBA (A) no painel para encontrar o interruptor DIP (D); siga a Figura 4 para as definições DIP.
5. Realize os passos na ordem contrária da desmontagem para fixar o painel de controlo e bloquear o parafuso após terminar a definição.

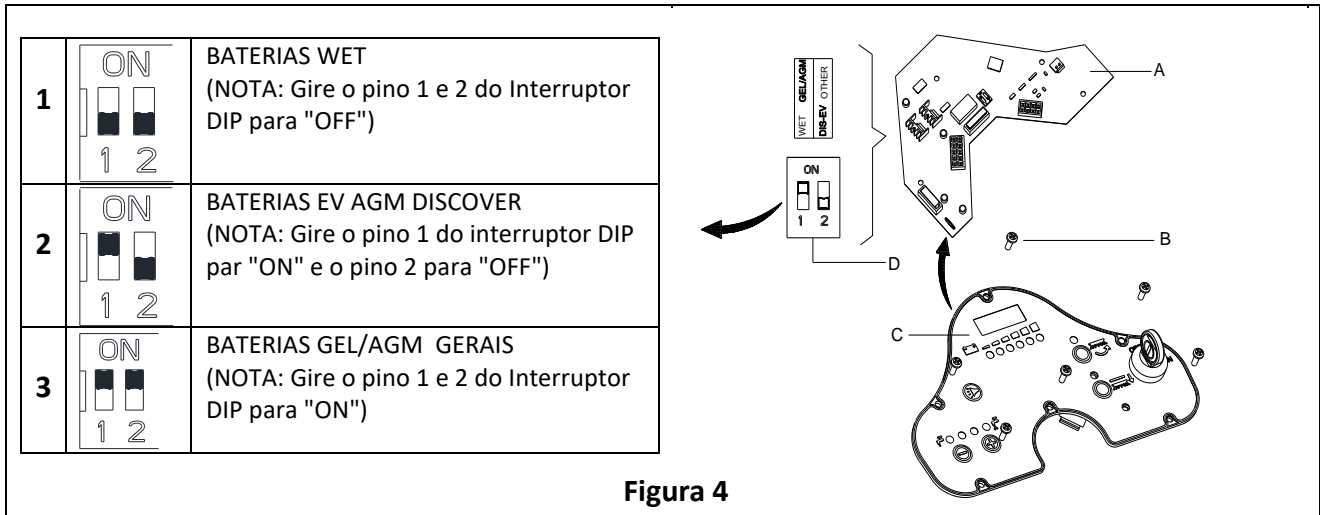


Figura 4

Instalação da bateria

6. Abra a capa do tanque de recuperação (4) e verifique se o tanque (3) está vazio; se não estiver, esvazie-o com a mangueira de drenagem (15).
7. Feche a capa do tanque de recuperação (4).
8. Gire o tanque de recuperação (3) cuidadosamente.
9. A máquina é fornecida com cabos adequados para instalar 2 baterias x 12V. Coloque as baterias no compartimento e instale-as correctamente.
10. Encaminhe e instale o cabo da bateria como mostrado na (Figura 3), e aperte a porca em cada terminal da bateria.
11. Coloque a capa de protecção em cada terminal e ligue o conector da bateria.
12. Baixe cuidadosamente o tanque (3).

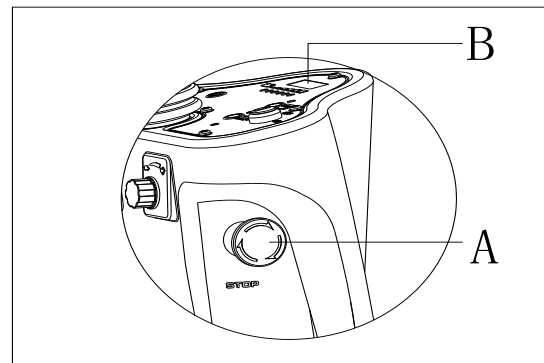


Figura 5

Carregamento das baterias

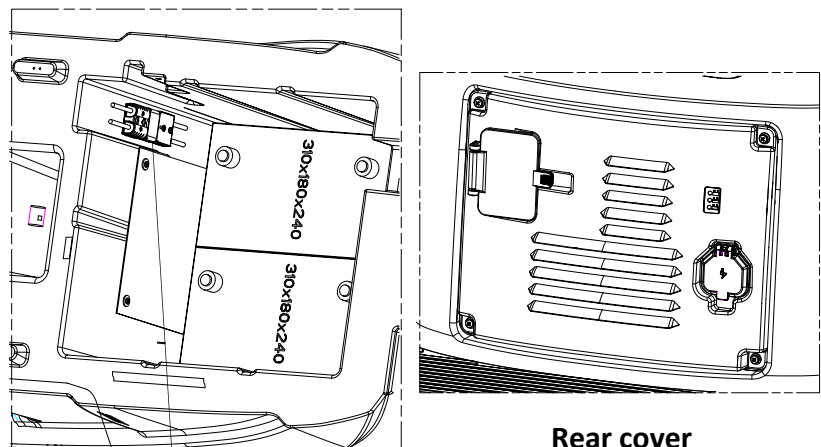
13. Carregamento das baterias. [Consulte os capítulos de MANUTENÇÃO].

Configuração do carregador da bateria (apenas para o carregador de bordo, se instalado)

Carregador da bateria

O carregador da bateria está localizado dentro da tampa traseira e conectado diretamente às baterias. O carregador é controlado por microprocessador e usa diferentes curvas de carregamento para um desempenho ideal para diferentes tipos de bateria.

1. Desconecte o conector de cabo que conduz às baterias.
2. Remova as tampas traseiras.
3. Remova os 4 parafusos (B) e remova o carregador (A).



Disconnect the connector

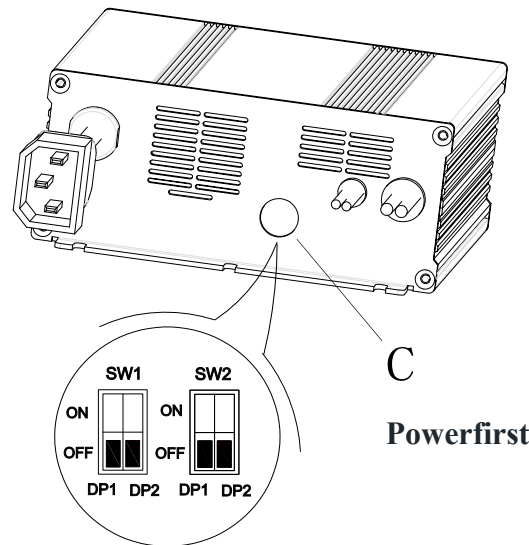
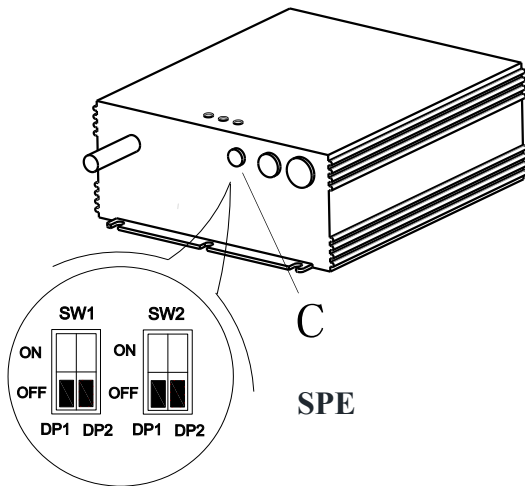
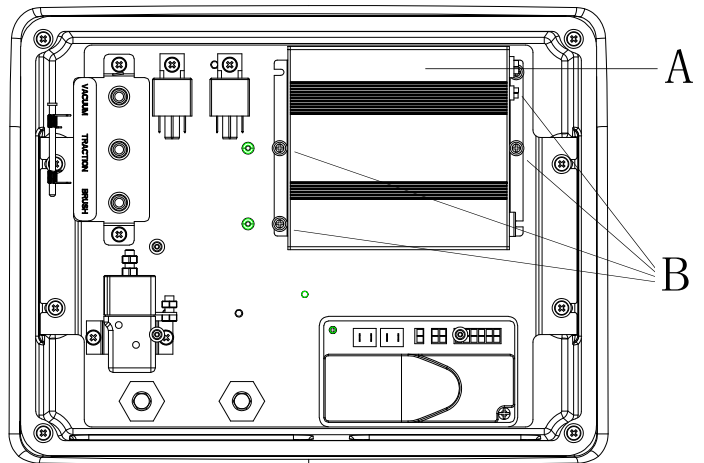
Rear cover

Interruptores Dip de tipo de bateria

A função do carregador é controlada por 4 interruptores DIP (2 pares) no interior da tampa traseira. Os segundos 2 interruptores nunca devem ser tocados, a menos que o carregador tenha sido substituído e a sua posição precise ser confirmada. Defina a tensão da bateria (24V) e a amperagem máxima (10A) e esta deve estar sempre na posição desligada.

Os 2 primeiros interruptores são acessíveis através de um tampão plástico sem abrir o carregador. Estes interruptores definem o tipo de curva de carga usada para cada tipo de bateria. O tipo de curva significa a maneira e a magnitude em que a corrente e a tensão são aplicadas à bateria durante suas fases distintas do ciclo de carga.

1. Remova o tampão plástico que cobre o orifício de acesso ao interruptor DIP (C).
2. Defina os primeiros 2 interruptores DIP (SW1) de acordo com os dados da tabela abaixo.
3. Coloque o tampão plástico de volta.



Curve/Battery Type	SW1		SW2	
	D1	D2	D1	D2
IUIa Wet	On	Off		
IUIa Gel Exide	Off	Off	Off	Off
IUoU AGM	Off	On		
IUIa AGM Discover	On	On		

Curve/Battery Type	SW1		SW2	
	D1	D2	D1	D2
IUIa Wet	On	Off		
IUIa Gel Exide	Off	Off	Off	Off
IUUa AGM	Off	On		
IUIa AGM Discover	On	On		

TRAVAGEM DE EMERGÊNCIA

Se existir alguma emergência durante a operação da máquina, pressione o interruptor de emergência (A, Figura 5), e todas as funções da máquina param; não existe nenhuma exibição no painel de controlo (B, Figura 5).

INSTALAÇÃO E DESINSTALAÇÃO DA ESCOVA/ALMOFADA



NOTA

Instale uma escova adequada (A, Figura 6) ou Almofoada (B e C, Figura 6) de acordo com o tipo de chão a ser limpo.



CUIDADO

Antes de instalar ou desinstalar a escova ou almofoada, certifique-se que todos os interruptores da máquina estão na posição off e levante o squeegee do chão. O operador deve estar equipado com dispositivos de protecção pessoal adequados, como luvas, para reduzir o risco de acidentes. Proceda como o descrito abaixo:

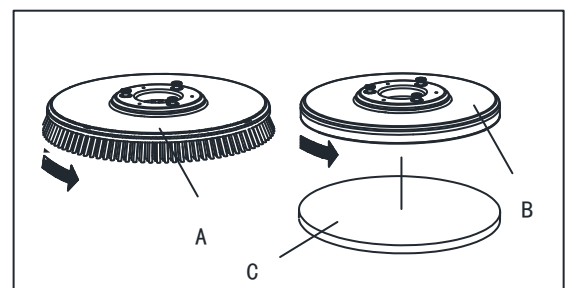


Figura 6

1. Insira o interruptor da chave (40) e defina para "ON".
2. Pressione o pedal (6) para a frente com o pé para levantar a montagem da escova (11) do chão.
3. Rode o botão de ajuste de velocidade (42) para a direita até ao fim.
4. Coloque a escova (A, Figura 5) ou escova (B, Figura 5) alinhada ao centro com a protecção da escova.
5. Pressione o pedal (6) para trás com o pé para baixar a montagem da escova (11). Sente-se no assento, pressione o botão da escova (39) e solte ligeiramente o pedal (23); a escova/almofada podem ser montados automaticamente. Repita estes passos até que a escova/almofada seja instalada.
6. Se o passo 5 não conseguir instalar a escova/almofada, retire a escova/almofada manualmente.
7. Solte o pedal (6) para a frente com o pé para levantar a montagem da escova (11) do chão, pressione o botão de remover a escova (41) para desinstalar automaticamente.



CUIDADO!

Rode o botão de ajuste de velocidade (42) para a velocidade mínima antes de soltar o pedal de aceleração (6) para evitar que a máquina funcione demasiado rápido quando for iniciada. Certifique-se que a escova/almofada está instalada correctamente antes de operar a máquina.

AJUSTE DO EQUILÍBRIO DO SQUEEGEE

1. Instale o squeegee (13) e aperte o botão squeegee (20); ligue a mangueira de vácuo (19) ao squeegee.
2. Ajuste o squeegee através do punho de ajuste correspondente (A, Figura 7).
 - a) Se existir um espaço entre o chão e a secção do meio da lâmina do squeegee traseiro (B), ajuste o botão (A) para a esquerda (F) até todas as secções da lâmina do squeegee traseiro estarem em contacto com o chão e a lâmina frontal tocar ligeiramente no chão.
 - b) Se existir um espaço entre o chão e as secções do fim da lâmina traseira (C e D), ajuste o botão (A) para a direita (E) até todas as secções da lâmina traseira estarem em contacto com o chão e a lâmina frontal tocar ligeiramente no chão.

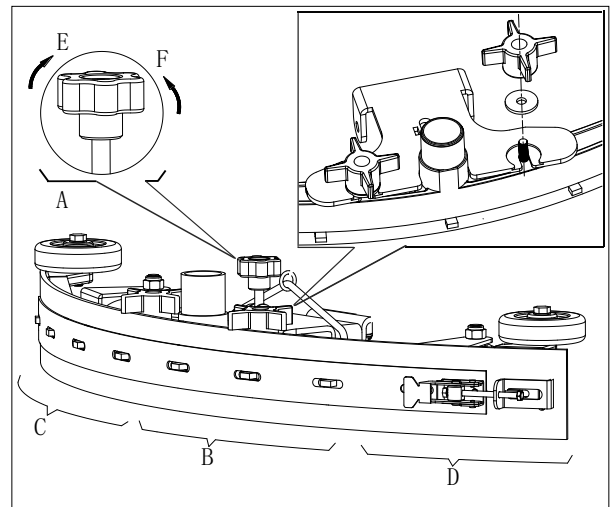


Figura 7

ENCHIMENTO DO TANQUE DE SOLUÇÃO

1. Abra a tampa de entrada de água (E, Figura 8).
2. Encha com água ou solução adequada através da entrada de água com filtro.
A temperatura da solução não pode exceder +104F (+40°C).
3. Não encha o tanque em demasia; consulte o volume de água no indicador do nível de água (G).



AVISO!

Unicamente utilize detergentes não inflamáveis, que façam pouca espuma e que sejam adequados para aplicações em escovas automáticas.

Inspeção do motor de ignição

1. Defina o interruptor de chave (A, Figura 9) para "ON".
2. Solte ligeiramente o pedal de aceleração (C) e solte-o para verificar se a máquina pode ser conduzir para a frente e parada.
3. Para assegurar a segurança, confirme se a máquina pode ser parada de imediato ao pressionar o botão de emergência (B). Rode o botão de emergência para reiniciar.



CUIDADO

A capacidade de subida da máquina não deve exceder os 10%.



CUIDADO

O travão do motor de ignição não está preso quando o motor funcionar normalmente. Só bloqueia quando o motor parar de funcionar.

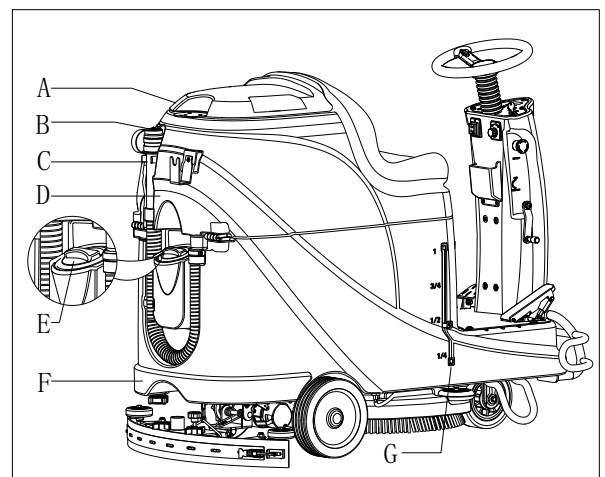


Figura 8

- Travão desbloqueado - o punho do travão (D, Figura 9) está em cima.
- Travão bloqueado - o punho do travão está em baixo.
Em casos especiais, como durante a embalagem/desembalação da máquina, falha da máquina, etc., se precisar de mover a máquina sem o funcionamento do motor de ignição, defina manualmente o travão para o estado desbloqueado para mover.
Para evitar riscos de segurança, assegure-se que define o travão novamente para o estado bloqueado após o movimento da máquina.

INICIAR E PARAR A MÁQUINA

Iniciar a máquina

1. Prepare a máquina como mostrado no parágrafo anterior.
2. Sente-se no assento (L, Figura 10), insira o interruptor de chave (A) e defina-o para "ON". Se a luz verde (C) estiver ligada, as baterias estão completamente carregadas. Se a luz amarela (E) ou vermelha (D) estiver ligada, as baterias devem ser carregadas antes da operação. [Consulte os capítulos de MANUTENÇÃO para o carregamento da bateria]
3. Baixe a montagem do squeegee para o chão.

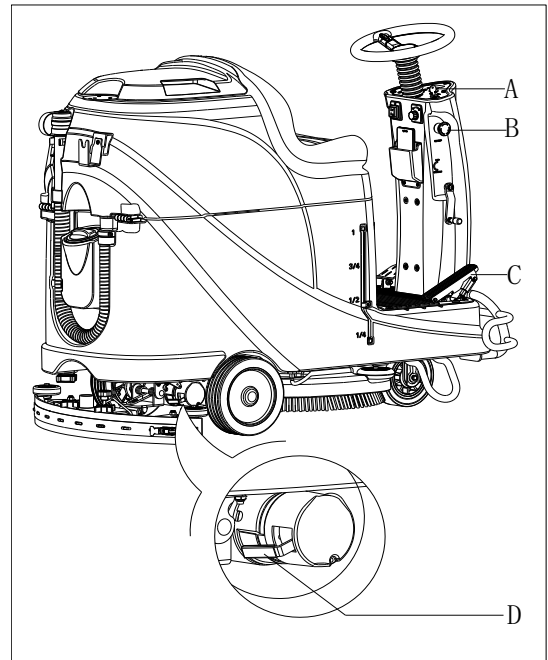


Figura 9

NOTA

Certifique-se que a montagem do squeegee está levantada antes da máquina ser conduzida para trás, ou a Máquina será parada e o ecrã LED mostra a informação de "Erro".

4. Baixe a montagem da escova para o chão.

NOTA

Certifique-se que desliga o botão da escova antes da montagem da escova ser levantada, e levante a montagem da escova antes da máquina andar para a frente/trás.

5. Pressione o botão da escova (B)
6. Liberte o pedal de aceleração (R), conduza a máquina para a frente ou atrás com o volante (N) juntamente com o interruptor frente-trás (H); pode ajustar a velocidade com o botão de ajuste de velocidade (I).
7. Ajuste o fluxo da solução com o botão de ajuste de solução (G) com base nos requisitos de limpeza.
8. Pode carregar o seu telefone ou pad através da porta de carregamento USB (M) quando o interruptor de chave (A) estiver "ON".
9. Pressione o botão de sirene (F) para avisar as pessoas quando necessário.
10. Se necessário, pressione o botão de emergência para paragem de emergência da máquina.

NOTA

O motor da escova, motor de vácuo, motor de ignição e circuito de controlo estão protegidos pelo protector de sobrecarga (P). Quando o protector de sobrecarga for accionado, não reinicie de imediato sem encontrar a causa, e certifique-se que o motor está a arrefecer antes de reiniciar.

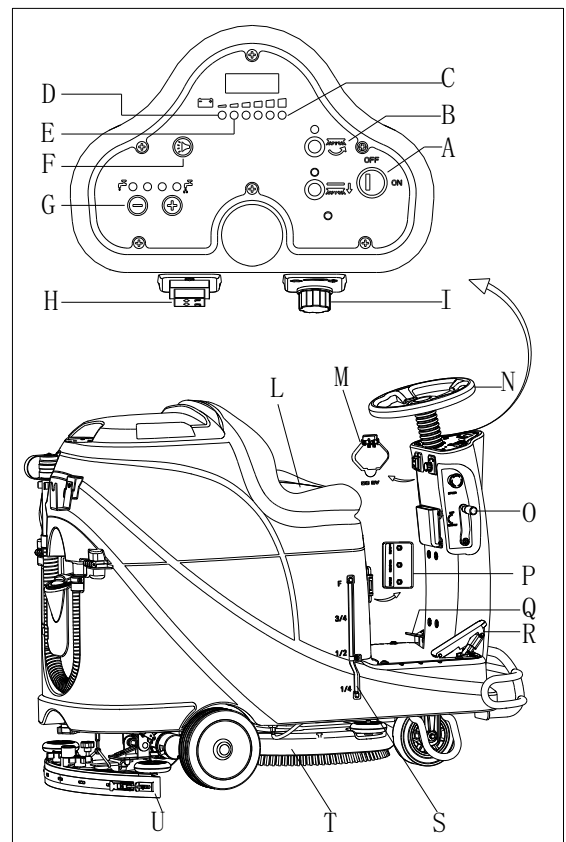


Figura 10

Parar a máquina

11. Solte o pedal de aceleração (R, Figura 10) para a máquina parar de funcionar.
12. Pressione o botão da escova (B) para parar o motor da escova.
13. Levante a montagem da escova (T) soltando o pedal (Q).
14. Levante a montagem do squeegee (U) levantando/baixando a alavanca (O), e, uns segundos mais tarde, o sistema de vácuo será fechado.
15. Defina o interruptor de chave para "OFF".
16. Assegure-se que a máquina está parada.

OPERAÇÃO DA MÁQUINA (ESFREGAR E SECAR)

1. Inicie a máquina de acordo com os procedimentos dos parágrafos anteriores.
2. Comece a limpeza seguindo os procedimentos na secção "Iniciar a máquina".
3. Se necessário, pare a máquina para ajustar o squeegee de acordo com a secção "Ajustar o equilíbrio do squeegee".



CUIDADO!

Para evitar quaisquer danos à superfície do chão, desligue o suporte da esponja/escova quando a máquina parar em um lugar.



NOTA

Para esfregar/secar correctamente o chão nos lados das paredes, sugerimos que vá perto das paredes com o lado direito (Lado da roda de pára-choques) da máquina como mostrado na Figura 11.

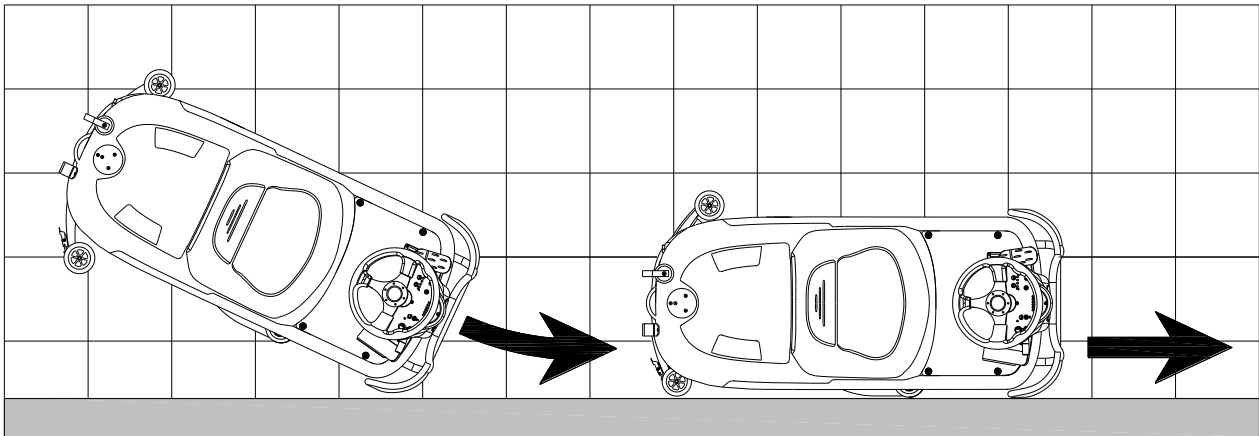


Figura 11

Carregamento da bateria durante o funcionamento

Quando a luz verde (A, Figura 12) estiver ligada, as baterias têm energia suficiente para a máquina funcionar normalmente; quando todas as luzes verdes estiverem desligada e a luz amarela (C, Figura 12) estiver ligada, a energia das baterias está muito fraca, pelo que devem ser carregadas; quando a luz vermelha (B, Figura 12) piscar, o motor de vácuo e da escova são desligados automaticamente alguns segundos depois pelo que conduza a máquina para carregar as baterias de imediato.



CUIDADO!

Para evitar danos às baterias e encurtar o seu funcionamento, não utilize a máquina quando as baterias estiverem fracas.

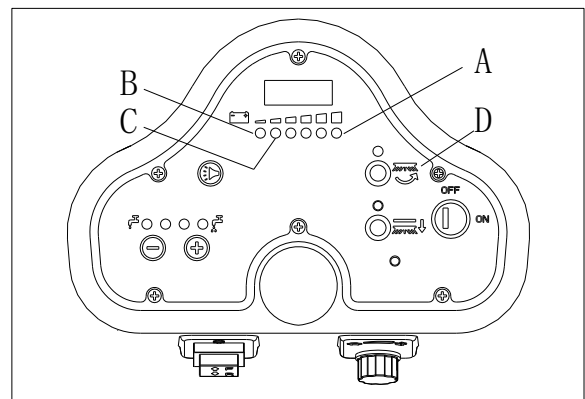


Figura 12

ESVAZIAMENTO DO TANQUE

Um sistema de desligar automático (B, Figura 13) para o sistema a vácuo quando o tanque de água de recuperação (C) está cheio. A desativação do sistema a vácuo é assinalada por um aumento súbito na frequência de ruído do motor do sistema a vácuo e o chão não é seco.



CUIDADO!

Se o sistema a vácuo for desligado acidentalmente (por exemplo, quando a bóia é activa devido a um movimento súbito da máquina), para continuar a operação: desligue o sistema a vácuo pressionando o interruptor (D, Figura 12), abra o revestimento (A, Figura 11) e verifique se a bóia dentro da grelha (B) desceu para o nível da água. De seguida, feche o revestimento (A) e ligue o sistema a vácuo pressionando o interruptor (D, Figura 12).

Quando o tanque água de recuperação (C, Figura 13) estiver cheio, esvazie-o de acordo com os seguintes passos.

Esvaziar o tanque de água de recuperação

1. Pare a máquina.
2. Levante o convés do suporte de escova/esponja (H, Figura 12) pressionando o pedal (G).
3. Levante o squeegee com a alavanca (H).
4. Conduza para a área de eliminação recomendada.
5. Esvazie o tanque de água de recuperação com a mangueira (D). De seguida, limpe o tanque com água limpa.



CUIDADO!

Quando drenar a água suja, a mangueira de drenagem deve estar dobrada (A, Figura 14) e colocada numa posição baixa (B, Figura 14) antes de abrir a tampa da mangueira de drenagem. Não coloque a saída da mangueira de drenagem para cima para drenar a água verticalmente, de modo a evitar salpicos de água suja no operador.

Esvaziar o tanque de solução/água limpa

6. Realize os passos 1 a 4 no capítulo "Esvaziar o tanque de água de recuperação".
7. Esvazie o tanque de solução através da saída (A, Figura 15). De seguida, passe o tanque por água limpa.

DEPOIS DE UTILIZAR A MÁQUINA

Antes de guardar a máquina quando terminar de operar:

1. Retire os suportes das escovas/esponja.
2. Esvazie os tanques (B e C, Figura 15) como mostrado no parágrafo anterior.
3. Realize os procedimentos de manutenção (consulte capítulo de Manutenção).
4. Armazene a máquina num local limpo e seco, com os suportes de escovas/esponjas e squeegee levantados ou desmontados.

INACTIVIDADE DURANTE LONGO PERÍODO DE TEMPO

Se a máquina não for ser utilizada durante mais de 30 dias, realize o seguinte:

1. Realize os procedimentos mostrado em "APÓS UTILIZAR A MÁQUINA".
2. Desligue o conector da bateria (D, Figura 15).

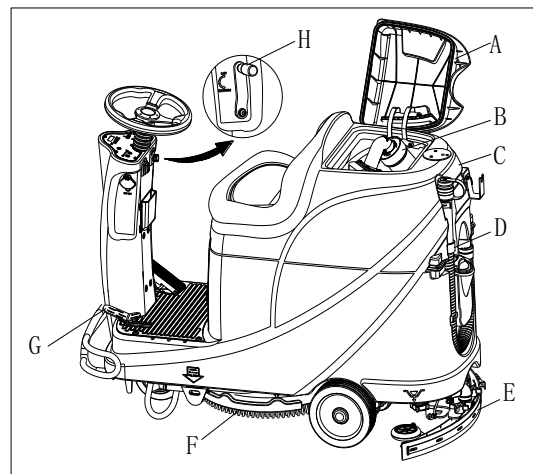


Figura 13

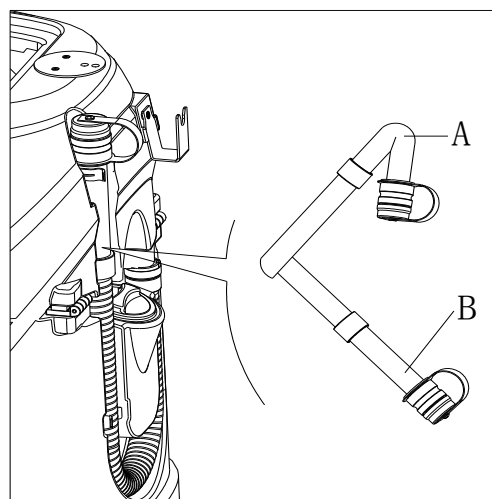


Figura 14

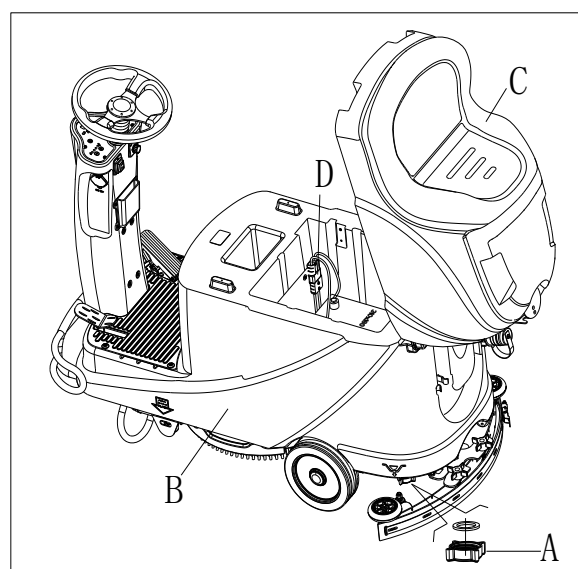


Figura 15

PRIMEIRA UTILIZAÇÃO

Após nove horas de utilização da máquina pela primeira vez, verifique se existem danos ou situação anormal e verifique se os fixadores ou encaixes estão soltos.

MANUTENÇÃO



AVISO!

Os procedimentos de manutenção devem ser realizados com a máquina desligada e o cabo de carregamento desligado. Em adição, leia atentamente os capítulos de segurança no manual.

Todos os procedimentos de manutenção programados ou extraordinários devem ser realizados por técnicos profissionais ou um Centro de Assistência autorizado. Este manual só descreve os procedimentos de manutenção mais comuns e gerais.

Para outros procedimentos de manutenção que não estejam listados na tabela abaixo, refira ao Manual de Assistência que pode ser consultado em qualquer Centro de Assistência da nossa empresa.

TABELA DE MANUTENÇÃO PROGRAMADA



CUIDADO!

O procedimento marcado com (1) deve ser realizado quando a máquina é utilizada após 9 horas pela primeira vez.
O procedimento marcado com (2) deve ser realizado por um Centro de Assistência qualificado pela nossa empresa.

Procedimento	Diariamente, após cada utilização	Semanalmente	Semi anualmente	Anualmente
Carregamento da bateria				
Limpeza do squeegee				
Limpeza do suporte da esponja/escova				
Limpeza do tanque				
Inspeção da fita de selamento do tanque				
Limpeza do filtro da bola de flutuação				
Verificação e substituição de lâmina de squeegee				
Limpeza do filtro de água limpa				
Limpeza de filtro de sucção				
Inspeção do nível de fluído da bateria WET				
Inspeção do aperto dos parafusos e porcas			(1)	
Verificação ou substituição de escova/suporte de almofada de carbono				(2)
Verificação ou substituição de escova de carbono de motor de vácuo				(2)
Realize uma inspeção ou substituição da escova de carbono do motor do sistema (só - para máquinas com tracção)				(2)
Adicionar óleo de lubrificação nas peças rotativas			(1)	

CARREGAMENTO DA BATERIA



NOTA

Carregue as baterias quando o LED amarelo (32) ou LED vermelho (33) estiver aceso, ou no final de cada ciclo de funcionamento.



CUIDADO

Mantenha sempre a bateria completamente carregada para aumentar o tempo de funcionamento.



CUIDADO

Carregue a bateria assim que possível de a mesma estiver quase vazia, caso contrário o tempo de funcionamento pode ser reduzido. Recomendamos que verifique a bateria pelo menos uma vez por semana.



CUIDADO!

Seja especialmente cuidadoso quando a bateria estiver a carregar, uma vez que pode existir vazamento de ácido no processo de carregamento.

O ácido de bateria é corrosivo; se entrar em contacto com a pele ou olhos por acidente, lave imediatamente com água abundantes e consulte um médico.

Passos de preparação para carregar a bateria

1. Abra a tampa do tanque de recuperação (B, Figura 16) para verificar que o tanque de recuperação (C) está vazio, ou esvazie-o através da mangueira de drenagem (A).
2. Conduza a máquina para a área de carregamento.
3. Defina o interruptor de chave para "OFF".
4. Passo unicamente para baterias WET:
 - Limpe a superfície da bateria, se necessário.
 - Verifique o nível de electrolito da bateria (D); se necessário, abra a tampa para encher e volte a fechar.
 - Mantenha a tampa aberta durante o carregamento.
5. Selecciona um dos modos de carregamento abaixo com base no tipo de carregador seleccionado.

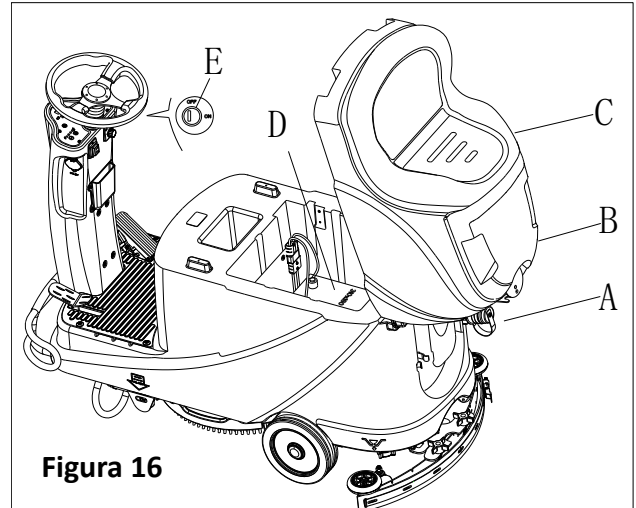


Figura 16

Utilize o carregador de bordo para carregamento da bateria

6. Ligue o cabo de carregamento (A, Figura 17) à tomada (G), e todas as funções são automaticamente desligadas, com a excepção do carregamento. O LED vermelho (B) significa que a máquina está a carregar.
7. As baterias estão completamente carregadas quando o LED verde (C) se ligar.
8. Desligue o cabo do carregador da tomada após terminar o carregamento, e armazene-o na caixa de armazenamento (D).

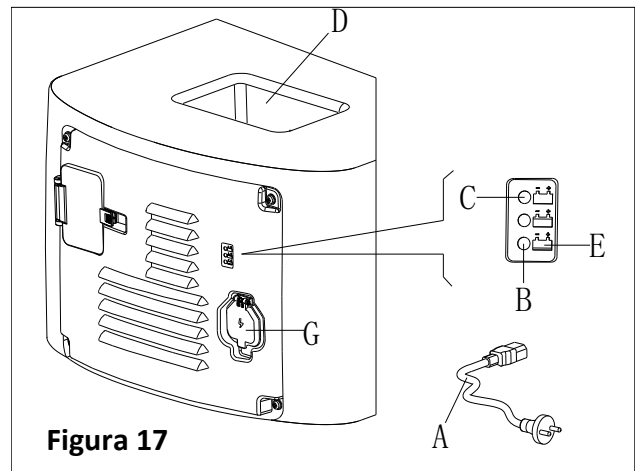


Figura 17



NOTA

Para mais informações sobre o carregamento de bordo (E, Figura 17), consulte o manual relevante do centro de serviço.

LIMPEZA DA ESCOVA/ESPONJA



CUIDADO!

Recomendamos que utilize luvas quando limpar o suporte da esponja ou escova uma vez que pode conter fragmentos afiados.

1. Retire o suporte da esponja/escova seguindo as instruções nas secções anteriores.
2. Limpe o suporte da esponja/escova com água e detergente.
3. Verifique a integridade e condições dos pêlos da escova e substitua se necessário.
4. Verifique a condição da esponja de polimento e substitua se necessário.

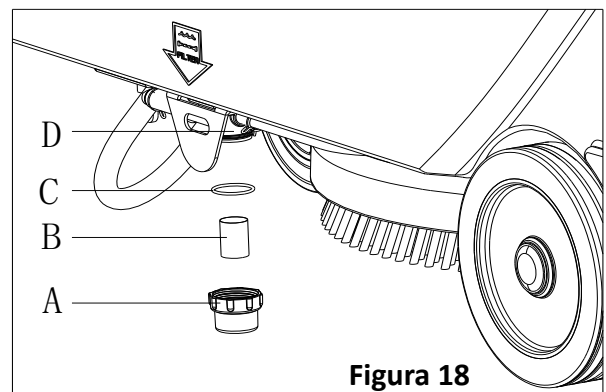


Figura 18

LIMPEZA DO FILTRO DE SOLUÇÃO

1. Coloque a máquina no chão.
2. Certifique-se que a máquina está desligada.
3. Esvazie o tanque de solução (passo opcional).
4. Retire a tampa do filtro de solução (A, Figura 18) para limpar o ecrã do filtro (B), e volte a colocar no suporte do filtro (D).



NOTA

O ecrã do filtro (B) deve ser posicionado correctamente no revestimento do suporte do filtro (D).

LIMPEZA DO SQUEEGEE



NOTA

O squeegee deve ser limpo e as suas lâminas devem estar em boas condições para obter uma boa secagem.



CUIDADO

Recomendamos que utilize luvas protectoras quando limpar o squeegee uma vez que poderão existir detritos afiados.

1. Leve a máquina para um piso nivelado.
2. Defina o interruptor de chave (A, Figura 19) para "OFF".
3. Baixe o squeegee (B) com a alavanca (C).
4. Desaperte os botões (D) e remova o squeegee.
5. Desencaixe a mangueira de vácuo (E) do squeegee.
6. Limpe o squeegee de aço ou alumínio, especialmente os compartimentos (A, Figura 20) e os buracos (B). Verifique a integridade, cortes e desgastes da lâmina frontal (B) e traseira (C); se necessário, substitua-as de acordo com os procedimentos do parágrafo seguinte.
7. Monte o squeegee na ordem contrária dos passos acima descritos.

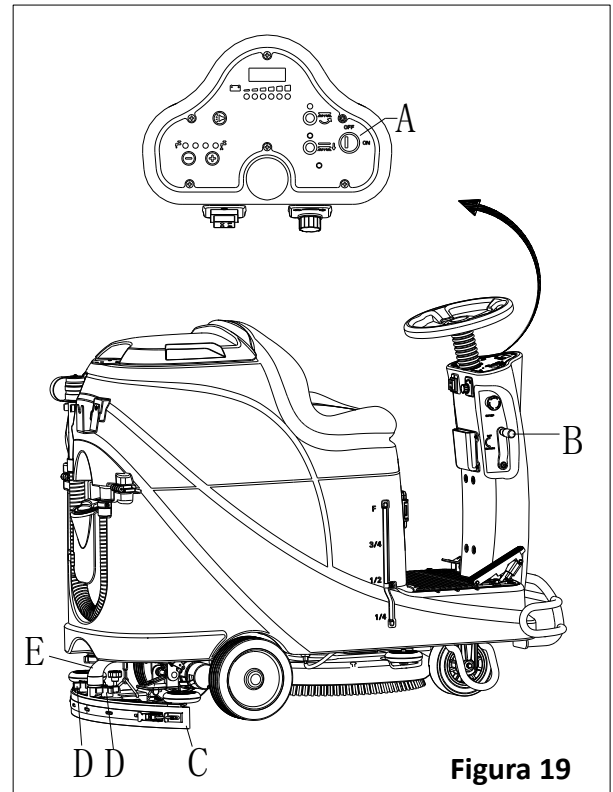


Figura 19

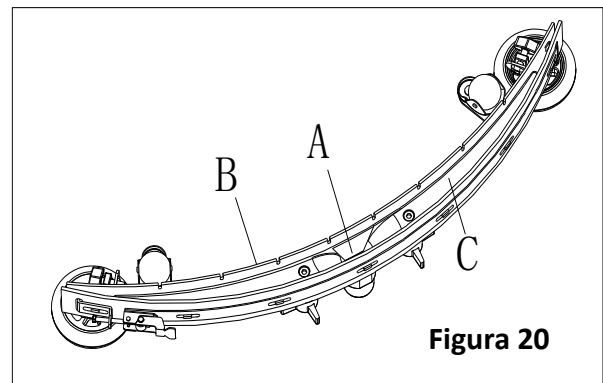


Figura 20

VERIFICAÇÃO E SUBSTITUIÇÃO DA LÂMINA DO SQUEEGEE

1. Limpe o squeegee de aço ou alumínio como mostrado no parágrafo anterior.
2. Verifique se as beiras (E, Figura 21) da lâmina frontal (C) e as beiras (F) da lâmina traseira (D) ficam ao mesmo nível, ao longo do seu comprimento; se necessário, ajuste a sua altura de acordo com os passos seguintes:
 - Retire a barra de ligação (G), desencaixe os fixadores (M) e ajuste a lâmina traseira (D); volte a apertar os fixadores (M) e instale a barra de ligação (G).
 - Desaperte os botões (I) e ajuste a lâmina frontal (C); volte a apertar os botões.
3. Verifique o estado da lâmina frontal (C) e a lâmina traseira (D) procurando por cortes de desgaste; se necessário, substitua de acordo com os passos seguintes. Verifique se o canto frontal (J) da lâmina traseira (D) não está desgastado; se necessário, gire a lâmina para substituir o canto desgastado por um em bom estado. Se os outros cantos também estiverem desgastados, substitua a lâmina de acordo com os passos seguintes:
 - Retire a barra de ligação (G), desencaixe os fixadores (M) e retire a faixa retentora (K); substitua/gire a lâmina traseira (D). Monte a lâmina na ordem contrária dos passos acima descritos.
 - Desaperte os botões (I) e retire a faixa retentora (L); substitua a lâmina frontal (C). Monte a lâmina na ordem contrária dos passos acima descritos. Depois de substituir a lâmina 8ou girar), ajuste a altura como mostrado nos passos anteriores.
4. Ligue a mangueira de vácuo (A, Figura 22) ao squeegee.
5. Instale o squeegee (B) e aperte os botões (C).
6. Se necessário, ajuste o botão de ajuste de equilíbrio do squeegee.

TANQUE E GRELHA DE VÁCUO COM LIMPEZA DE FLUTUADOR, E VERIFICAÇÃO DE JUNTA DE TAMPA

1. Leve a máquina para um piso nivelado.
2. Assegure-se que a máquina está desligada e que a chave de ignição (40) foi retirada.
3. Gire a tampa do tanque de recuperação (A, Figura 23) para a posição 90 graus até conseguir tirar, e retire o filtro de flutuação (P) do tanque.
4. Limpe a tampa do tanque de recuperação (A), o tanque de água (C) e o suporte do filtro (E). Esvazie o tanque de recuperação através da mangueira de drenagem (15).
5. Se necessário, siga os símbolos "OPEN" e "CLOSE" como mostrado na Figura 23 para abrir a tampa inferior (F) do filtro de flutuação. Limpe a bola (D), suporte do filtro (E) e esponja do filtro (I). Depois de limpar, fixe a bola (D) no suporte do filtro (E) e alinhe a ranhira (L) da tampa inferior (F) do filtro com a ranhura (L) do suporte do filtro (E). Aparafuse a tampa inferior do filtro de flutuação, e fixe a esponja do filtro (I) no suporte do filtro (E). Finalmente, ligue-o à mangueira de sucção de esgoto (M).
6. Inspeccione a integridade do selamento do tanque.

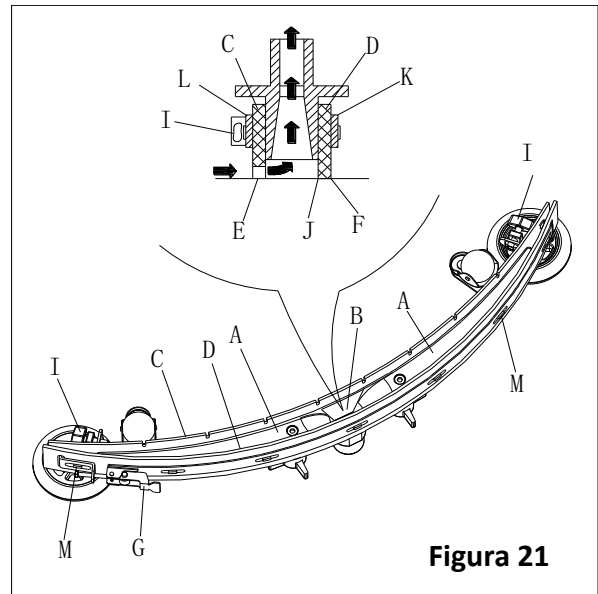


Figura 21



NOTA

O selamento do tanque (G) permite a produção de vácuo dentro do tanque quando o motor de sucção funciona. O tanque deve estar selado para absorver a água do chão e a transmitir para o tanque de recuperação.

7. Verifique se a superfície de contacto do selamento (G) está intacta e se o selamento é suficiente. Se necessário, retire o selamento da ranhura (H) e substitua. Monte o selamento como mostrado na Figura 23, a junção deve regressar à área do meio.
8. Feche a tampa do tanque de recuperação (A).

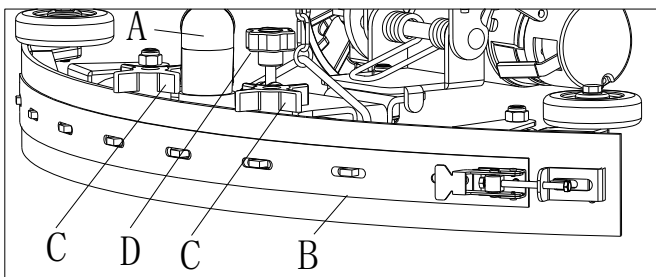


Figura 22

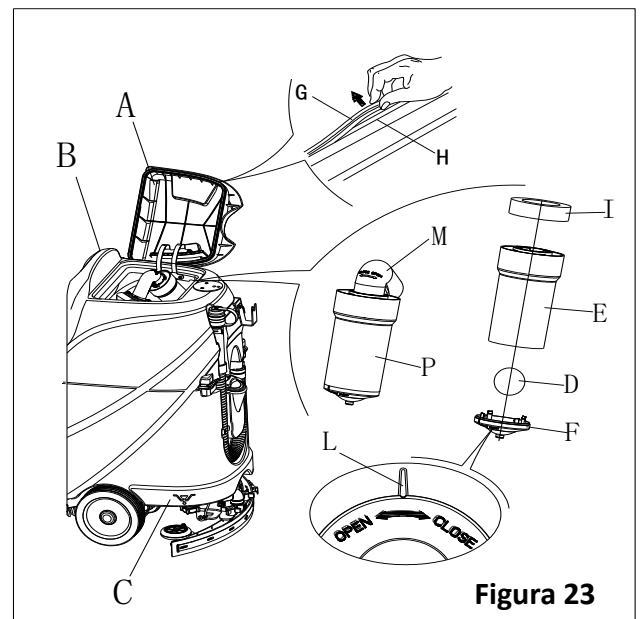


Figura 23

VERIFICAÇÃO/SUBSTITUIÇÃO DOS FUSÍVEIS

1. Defina o interruptor de chave (D, Figura 24) para "OFF".
2. Desligue o cabo de ligação da bateria.
3. Desaparafuse os parafusos (C) no painel de controlo e vire o PCBA ao contrário para encontrar o fusível (A e B).
4. Verifique/substitua os fusíveis:
 - A) F1 é o fusível de circuito de energia baixa (5A)
 - B) F3 é o fusível de desmontagem da escova (20A)
5. Após a verificação/substituição terminar, volte a montar na ordem reversa.
6. Verifique ou reinicie o protector de sobrecarga do motor.
 - E) F5 é o protector de sobrecarga do motor a vácuo (30A)
 - F) F4 é o protector de sobrecarga do motor de ignição (30A)
 - G) F2 é o protector de sobrecarga de motor da escova (30A)

ACESSÓRIOS/OPÇÕES

Para além dos componentes por defeito, a máquina pode ser equipada com os acessórios/opções seguintes, de acordo com a utilização específica da máquina.

Para mais informação sobre os acessórios opcionais acima mencionados, contacte o seu Revendedor autorizado.

Acessórios/Opções

Consulte a secção "Lista de Peças"

1. Baterias GEL/AGM.
2. Esponjas de materiais diferentes.

RESOLUÇÃO DE PROBLEMAS

Problema	Causas prováveis	Solução
Os motores não funcionam; nenhuma luz de aviso está ligada (C9)	A ligação da bateria está desligada	Ligue o conector da bateria
	As baterias estão completamente descarregadas.	Carregue as baterias
A máquina não funciona; luz de aviso de capacidade de bateria vermelha está ligada (C8)	O nível das baterias está demasiado baixo	Carregue as baterias
A máquina não anda para a frente/trás	Falha da placa de circuito de controlo	Substitua a placa de circuito de controlo
	Falha do controlador do motor de ignição	Consulte "INFORMAÇÃO SOBRE O INDICADOR DE ERRO DO MOTOR DE IGNIÇÃO"
	Operador não está no assento	Sente-se no assento
	Squeegee não está elevado quando a máquina anda para trás	Levante o squeegee
O motor da escova não funciona	Falha da placa de circuito de controlo	Substitua a placa de circuito de controlo
	Motor da escova sobrecarregado	Utilize uma escova suave adequada para limpeza, e reinicie o protector de sobrecarga do motor da escova
	Falha de contacto do motor da escova	Contacte o serviço de pós-vendas
	Desgaste da escova de carbono do motor da escova	Contacte o serviço de pós-vendas
	Obstáculos previnem a rotação da escova	Limpe a escova
O motor de ignição não funciona	Luz de problema no motor de ignição ligada	Consulte "INFORMAÇÃO SOBRE O INDICADOR DE ERRO DO MOTOR DE IGNIÇÃO"

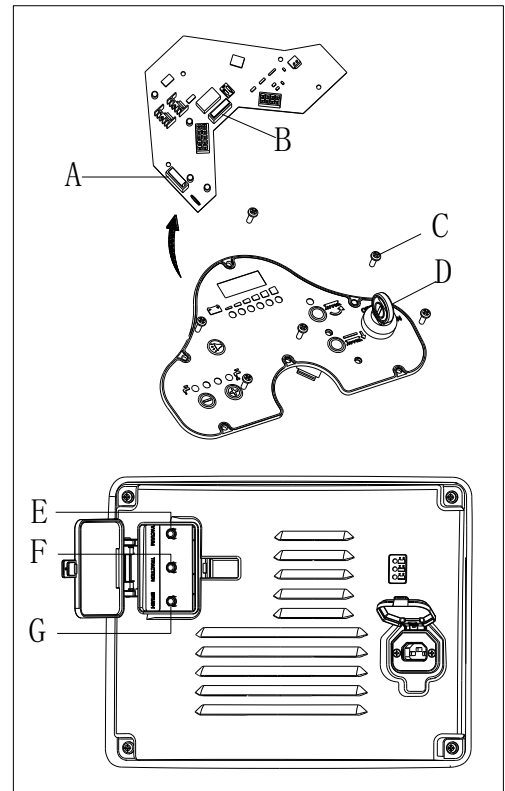


Figura 24

	Sobrecarga do motor de ignição	Reinicie o protector de sobrecarga do motor de ignição e verifique o motor/circuito de ignição
O motor de vácuo não funciona	Sobrecarga do motor a vácuo	Reinicie o protector de sobrecarga do motor de vácuo e verifique o motor/circuito de vácuo
	Falha da relé do motor de vácuo	Contacte o serviço de pós-vendas
	Falha da placa de controlo	Substitua a placa de controlo
Sucção insuficiente; o chão não fica seco	Tanque de recuperação está cheio	Esvazie o tanque de recuperação
	Má ligação da mangueira de drenagem e squeegee	Ligue a mangueira de drenagem e squeegee correctamente
	Bloqueio do filtro da bola de flutuação	Limpe o filtro da bola de flutuação e verifique o estado da posição da bola
	Squeegee está sujo ou desgastado	Verifique e limpe o squeegee
	A tampa do tanque de recuperação não está bem fechada, ou a vedação está danificada, ou o tubo de dobragem está entupido	Feche a tampa correctamente, ou substitua a vedação ou limpe o tubo de dobragem
Fornecimento de solução para placa da escova insuficiente	O tanque de recuperação está sujo	Limpe o tanque de recuperação
	O filtro de solução está sujo	Limpe o filtro
	Indicador de tanque de solução vazio ligado	Encha o tanque de solução
Squeegee deixa arranhões no chão	O tanque de solução está sujo	Limpe o tanque de solução
	Existem detritos por baixo das lâminas do squeegee.	Retire os detritos
	Desgaste, racha ou envelhecimento da lâmina do squeegee	Substitua as lâminas do squeegee
Falha do travão do motor de ignição	O equilíbrio do squeegee não está ajustado	Ajuste o equilíbrio do squeegee
	Travão está bloqueado	Destrave o travão

INFORMAÇÃO DO INDICADOR DE ERRO DO MOTOR DE IGNIÇÃO

CÓDIGOS LED		FALHA	CAUSA POSSÍVEL
1.1	○○○	FALHA TÉRMICA	<ol style="list-style-type: none"> 1. Temperatura >80°C ou < -10°C. 2. Carga excessiva no veículo. 3. Operação em ambientes extremos. 4. Travão electromagnético não liberta.
1.2	○○○○	FALHA DO ACELERADOR	<ol style="list-style-type: none"> 1. Fio de entrada do acelerador aberto ou encurtado. 2. Recipiente do acelerador com defeito. 3. Tipo de acelerador incorrectamente seleccionado.
1.3	○○○○○	FALHA DO RECIPIENTE DE VELOCIDADE	<ol style="list-style-type: none"> 1. Fio(s) do recipiente de limite de velocidade partidos ou encurtados. 2. Recipiente de limite de velocidade partido.
1.4	○○○○○○	FALHA DE VOLTAGEM BAIXA	<ol style="list-style-type: none"> 1. Voltagem da bateria <17 volts. 2. Má ligação na bateria ou controlador.
1.5	○○○○○○○	FALHA DE EXCESSO DE VOLTAGEM	<ol style="list-style-type: none"> 1. Voltagem da bateria >31 volts. 2. Operação do veículo com carregador ligado. 3. Ligação da bateria intermitente.
2.1	○○○○	FALHA DE DESLIGAR PRINCIPAL	<ol style="list-style-type: none"> 1. Driver do contracto principal falhou a abrir.
2.3	○○○○○○	FALHA PRINCIPAL *	<ol style="list-style-type: none"> 1. Contacto principal soldado ou preso. 2. Falha de driver de contacto principal.
2.4	○○○○○○○	FALHA DE LIGAR PRINCIPAL	<ol style="list-style-type: none"> 1. Driver do contracto principal falhou a fechar.
3.1	○○○○○	FALHA DE FIO *	<ol style="list-style-type: none"> 1. Acelerador mal ajustado. 2. Recipiente de acelerador ou mecanismo de acelerador estragado.

3.2	□□□□□□	FALHA DE LIGAR TRAVÃO	1. Driver de travão electromagnético encurtado. 2. Bobina de travão electromagnético aberta.
3.3	□□□□□□□	FALHA DE PRÉ CARREGAMENTO *	1. Driver de travão encurtado. 2. Circuito de pré carregamento danificado. 3. Falha de MOSFET
3.4	□□□□□□□□	FALHA DE DESLIGAR TRAVÃO	1. Driver de travão electromagnético aberta. 2. Bobina de travão electromagnético encurtada.
3.5	□□□□□□□□□	FALHA HPD	1. Sequência incorrecta do acelerador e KSI, empurrar ou entradas de inibição. 2. Recipiente de acelerador mal ajustado.
4.1	□□□□□□	FALHA DE SENSAÇÃO DE CORRENTE *	1. Falha no motor ou fiação do motor. 2. Falha do controlador.
4.2	□□□□□□□	PROTEÇÃO CONTRA FALHAS DE HARDWARE *	1. Voltagem do motor não corresponde ao pedido de aceleração. 2. Falha no motor ou fiação do motor. 3. Falha do controlador.
4.3	□□□□□□□□	FALHA DE SOMA DE VERIFICAÇÃO EEPROM †	1. Falha ou defeito EEPROM.
4.5	□□□□□□□□□□	FALHA DE DESLIGAR DA BATERIA *	1. Bateria não ligada. 2. Má ligação aos terminais da bateria.

* = Deve teclas de ciclo bruxa para limpar.

† = Deve utilizar o programador para limpar: seleccione o menu de Programa, altere o valor dos dados de qualquer parâmetro, teclas de ciclo bruxa.



NOTA

A máquina equipada com carregador de bordo não é operada quando existir mau funcionamento do carregador de bordo. Contacte o nosso centro de manutenção para ajuda.

ELIMINAÇÃO

Elimine a máquina através de uma instituição de tratamento de lixo qualificada.

Antes de a máquina ser eliminada, desmonte e separe as montagens que as leis e regulações relevantes pedem para a eliminação correcta.

- Bateria
- Suporte de Esponja/Escova
- Mangueira de plástico e peças de plástico
- Componentes eléctricos e electrónicos (*)

(*) Contacte o nosso centro de assistência para destruir qualquer componente eléctrico ou electrónico.

ΠΙΝΑΚΑΣ ΠΕΡΙΕΧΟΜΕΝΩΝ

ΕΙΣΑΓΩΓΗ	243
ΠΕΡΙΕΧΟΜΕΝΟ ΚΑΙ ΣΚΟΠΟΣ ΤΟΥ ΕΓΧΕΙΡΙΔΙΟΥ	243
ΠΟΥ ΠΡΕΠΕΙ ΝΑ ΦΥΛΑΣΣΕΤΑΙ ΑΥΤΟ ΤΟ ΕΓΧΕΙΡΙΔΙΟ	243
ΔΗΛΩΣΗ ΣΥΜΜΟΡΦΩΣΗΣ	243
ΑΞΕΣΟΥΑΡ ΚΑΙ ΣΥΝΤΗΡΗΣΗ	243
ΑΛΛΑΓΗ ΚΑΙ ΒΕΛΤΙΩΣΗ	243
ΠΕΔΙΟ ΕΦΑΡΜΟΓΗΣ	243
ΣΤΟΙΧΕΙΑ ΑΝΑΓΝΩΡΙΣΗΣ ΜΗΧΑΝΗΜΑΤΟΣ	243
ΜΕΤΑΦΟΡΑ ΚΑΙ ΑΠΟΣΥΣΚΕΥΑΣΙΑ	243
ΑΣΦΑΛΕΙΑ.	244
ΣΥΜΒΟΛΑ ΠΟΥ ΕΜΦΑΝΙΖΟΝΤΑΙ ΕΠΑΝΩ ΣΤΙΣ ΟΔΗΓΙΕΣ ΧΡΗΣΗΣ	244
ΓΕΝΙΚΕΣ ΟΔΗΓΙΕΣ ΑΣΦΑΛΕΙΑΣ	244
ΠΕΡΙΓΡΑΦΗ ΤΟΥ ΜΗΧΑΝΗΜΑΤΟΣ.	246
ΔΟΜΗ ΜΗΧΑΝΗΜΑΤΟΣ	246
ΠΙΝΑΚΑΣ ΕΛΕΓΧΟΥ	247
ΠΛΗΡΟΦΟΡΙΕΣ ΟΘΟΝΗΣ LED	247
ΟΘΟΝΗ ΑΠΕΙΚΟΝΙΣΗΣ ΤΗΣ ΕΝΔΕΙΞΗΣ ΦΟΡΤΙΣΤΗ	247
ΤΕΧΝΙΚΕΣ ΠΑΡΑΜΕΤΡΟΙ	248
ΔΙΑΓΡΑΜΜΑ ΚΥΚΛΩΜΑΤΟΣ.....	249
ΟΔΗΓΟΣ ΧΡΗΣΗΣ	251
ΕΓΚΑΤΑΣΤΑΣΗ ΚΑΙ ΡΥΘΜΙΣΗ ΤΗΣ ΜΠΑΤΑΡΙΑΣ ΤΟΥ ΝΕΟΥ ΜΗΧΑΝΗΜΑΤΟΣ	251
ΕΓΚΑΤΑΣΤΑΣΗ ΜΠΑΤΑΡΙΑΣ ΚΑΙ ΡΥΘΜΙΣΗ ΤΥΠΟΥ ΜΠΑΤΑΡΙΑΣ (WET ή GEL/AGM)	251
ΕΠΕΙΓΟΥΣΑ ΠΕΔΗΣΗ	253
ΕΓΚΑΤΑΣΤΑΣΗ ΚΑΙ ΑΠΕΓΚΑΤΑΣΤΑΣΗ ΒΟΥΡΤΣΑΣ / ΔΙΣΚΟΥ	253
ΡΥΘΜΙΣΗ ΙΣΟΡΡΟΠΙΑΣ ΤΟΥ ΜΑΚΤΡΟΥ.....	254
ΓΕΜΙΣΜΑ ΤΟΥ ΚΑΔΟΥ ΚΑΘΑΡΙΣΤΙΚΟΥ ΔΙΑΛΥΜΑΤΟΣ	254
ΕΚΚΙΝΗΣΗ ΚΑΙ ΤΕΡΜΑΤΙΣΜΟΣ ΤΟΥ ΜΗΧΑΝΗΜΑΤΟΣ	255
ΛΕΙΤΟΥΡΓΙΑ ΜΗΧΑΝΗΜΑΤΟΣ (ΤΡΙΨΙΜΟ ΚΑΙ ΣΤΕΓΝΩΜΑ)	256
ΑΔΕΙΑΣΜΑ ΔΕΞΑΜΕΝΩΝ	257
ΜΕΤΑ ΑΠΟ ΤΗ ΧΡΗΣΗ ΤΟΥ ΜΗΧΑΝΗΜΑΤΟΣ	257
ΜΑΚΡΟΧΡΟΝΙΑ ΑΔΡΑΝΕΙΑ ΤΟΥ ΜΗΧΑΝΗΜΑΤΟΣ	257
ΧΡΗΣΗ ΓΙΑ ΠΡΩΤΗ ΦΟΡΑ	258
ΣΥΝΤΗΡΗΣΗ	258
ΠΙΝΑΚΑΣ ΠΡΟΓΡΑΜΜΑΤΙΣΜΕΝΗΣ ΣΥΝΤΗΡΗΣΗΣ	258
ΦΟΡΤΙΣΗ ΤΗΣ ΜΠΑΤΑΡΙΑΣ	258
ΚΑΘΑΡΙΣΜΑ ΤΟΥ ΜΗΧΑΝΙΣΜΟΥ ΒΟΥΡΤΣΑΣ / ΒΑΣΗΣ	259
ΚΑΘΑΡΙΣΜΑ ΤΟΥ ΦΙΛΤΡΟΥ ΔΙΑΛΥΜΑΤΟΣ	260
ΚΑΘΑΡΙΣΜΟΣ ΤΟΥ ΜΑΚΤΡΟΥ	260
ΕΛΕΓΧΟΣ ΚΑΙ ΑΝΤΙΚΑΤΑΣΤΑΣΗ ΤΩΝ ΠΤΕΡΥΓΙΩΝ ΤΟΥ ΜΑΚΤΡΟΥ	260
ΚΑΘΑΡΙΣΤΕ ΤΗ ΔΕΞΑΜΕΝΗ ΚΑΙ ΤΗ ΣΧΑΡΑ ΔΕΞΑΜΕΝΗΣ ΜΕ ΤΟ ΦΛΟΤΕΡ ΚΑΙ ΕΛΕΓΕΤΕ ΤΗ ΦΛΑΝΤΖΑ ΤΟΥ ΚΑΛΥΜΜΑΤΟΣ ..	261
ΕΛΕΓΧΟΣ ΑΣΦΑΛΕΙΑΣ / ΑΝΤΙΚΑΤΑΣΤΑΣΗ	262
ΑΞΕΣΟΥΑΡ / ΕΠΙΛΟΓΕΣ	262
ΑΝΤΙΜΕΤΩΠΙΣΗ ΠΡΟΒΛΗΜΑΤΩΝ	262
ΑΠΟΣΥΡΣΗ	264

ΕΙΣΑΓΩΓΗ



ΣΗΜΕΙΩΣΗ

Οι αριθμοί στις παρενθέσεις αναφέρονται στα εξαρτήματα που εμφανίζονται στο κεφάλαιο «Περιγραφή του μηχανήματος».

ΠΕΡΙΕΧΟΜΕΝΟ ΚΑΙ ΣΚΟΠΟΣ ΤΟΥ ΕΓΧΕΙΡΙΔΙΟΥ

Σκοπός αυτού του Εγχειριδίου με Οδηγίες χρήσης είναι να εφοδιάσει το χειριστή με τις απαραίτητες πληροφορίες για να χρησιμοποιήσει το μηχάνημα σωστά και με ασφάλεια. Περιέχει πληροφορίες σχετικά με τεχνικά στοιχεία, ασφάλεια, λειτουργία, αποθήκευση, συντήρηση, ανταλλακτικά και τρόπο απόρριψης.

Πριν από την εκτέλεση οποιασδήποτε διαδικασίας πάνω στο μηχάνημα, άσχετα εάν υπάρχουν χειριστές και εξειδικευμένοι τεχνικοί, πρέπει να διαβάσουν προσεκτικά αυτό το εγχειρίδιο. Επικοινωνήστε με το Κέντρο εξυπηρέτησης της εταιρείας μας για τυχόν απορίες σχετικά με αυτό το εγχειρίδιο ή για τυχόν περαιτέρω πληροφορίες που χρειάζονται.

Οι χειριστές δεν πρέπει να εκτελούν τις διαδικασίες που πρέπει να γίνουν από εξειδικευμένο προσωπικό. Η εταιρεία μας δεν φέρει καμία ευθύνη για ζημιές που προέρχονται από τη μη τήρηση αυτής της απαγόρευσης.

ΠΟΥ ΠΡΕΠΕΙ ΝΑ ΦΥΛΑΣΣΕΤΑΙ ΑΥΤΟ ΤΟ ΕΓΧΕΙΡΙΔΙΟ

Το εγχειρίδιο πρέπει να φυλάσσεται κοντά στο μηχάνημα, μέσα σε κατάλληλη θήκη, μακριά από υγρά και άλλες ουσίες που μπορεί να προκαλέσουν οποιαδήποτε ζημιά σε αυτό.

ΔΗΛΩΣΗ ΣΥΜΜΟΡΦΩΣΗΣ

Η δήλωση συμμόρφωσης συνοδεύει το μηχάνημα και πιστοποιεί ότι το μηχάνημα πληροί τις προϋποθέσεις της ισχύουσας νομοθεσίας.



ΣΗΜΕΙΩΣΗ

Αντίγραφο της αρχικής δήλωσης συμμόρφωσης συνοδεύουν τα έγγραφα του μηχανήματος.

ΑΞΕΣΟΥΑΡ ΚΑΙ ΣΥΝΤΗΡΗΣΗ

Όλες οι απαραίτητες διαδικασίες λειτουργίας, συντήρησης και επισκευής πρέπει να εκτελούνται από εξειδικευμένο προσωπικό, είτε από εξουσιοδοτημένο Κέντρο εξυπηρέτησης που έχει καθοριστεί από την εταιρεία μας. Θα πρέπει να χρησιμοποιούνται ΜΟΝΟ εξουσιοδοτημένα ανταλλακτικά και αξεσουάρ.

Εάν χρειαστεί, επικοινωνήστε με το Κέντρο εξυπηρέτησης πελατών της εταιρείας μας, για οποιαδήποτε εξυπηρέτηση ή για να αγοράσετε αξεσουάρ ή ανταλλακτικά.

ΑΛΛΑΓΗ ΚΑΙ ΒΕΛΤΙΩΣΗ

Έχουμε δεσμευτεί για συνεχή βελτίωση των προϊόντων μας η εταιρεία διατηρεί το δικαίωμα αλλαγών και βελτιώσεων του μηχανήματος χωρίς πρόσθετη ενημέρωση.

ΠΕΔΙΟ ΕΦΑΡΜΟΓΗΣ

Η πλυντρίδα κάνει για εμπορική και βιομηχανική χρήση. Είναι κατάλληλη για τον καθαρισμό ομαλών και συμπαγών δαπέδων, και πρέπει να τη λειτουργεί ειδικευμένο προσωπικό, με ασφάλεια. Δεν είναι κατάλληλη για χρήση σε εξωτερικούς χώρους ή χαλιά ή για καθαρισμό τραχέος δαπέδου.

ΣΤΟΙΧΕΙΑ ΑΝΑΓΝΩΡΙΣΗΣ ΜΗΧΑΝΗΜΑΤΟΣ

Ο σειριακός αριθμός του μηχανήματος και το όνομα του μοντέλου αναγράφονται στη σειριακή ετικέτα.

Η πληροφορία αυτή είναι χρήσιμη. Χρησιμοποιήστε τον παρακάτω πίνακα για να γράψετε τα στοιχεία αναγνώρισης του μηχανήματος, όταν χρειάζεστε ανταλλακτικά για το μηχάνημα.

ΜΟΝΤΕΛΟ ΜΗΧΑΝΗΜΑΤΟΣ
ΣΕΙΡΙΑΚΟΣ ΑΡΙΘΜΟΣ ΤΟΥ ΜΗΧΑΝΗΜΑΤΟΣ

ΜΕΤΑΦΟΡΑ ΚΑΙ ΑΠΟΣΥΣΚΕΥΑΣΙΑ

Όταν ο μεταφορέας παραδίδει το μηχάνημα, βεβαιωθείτε ότι η συσκευασία και το μηχάνημα είναι ακέραια και άθικτα. Εάν υπάρχει κάποια ζημιά, ενημερώστε τον μεταφορέα για τη ζημιά και, πριν αποδεχθείτε το εμπόρευμα, επιφυλάξτε το δικαίωμα για αποζημίωση σχετικά με τη ζημιά.

Ακολουθήστε αυστηρά τις οδηγίες στη συσκευασία των προϊόντων κατά την αφαίρεση της συσκευασίας.

Ελέγξτε τη συσκευασία για να βεβαιωθείτε ότι περιλαμβάνονται τα παρακάτω στοιχεία:

1. Τεχνικά έγγραφα, καθώς και εγχειρίδιο χρήσης και εγχειρίδιο ενσωματωμένου φορτιστή εάν το μηχάνημα είναι εξοπλισμένο με ενσωματωμένο φορτιστή.
2. Καλώδιο φορτιστή, εάν το μηχάνημα είναι εξοπλισμένο με ενσωματωμένο φορτιστή.

ΑΣΦΑΛΕΙΑ

Τα παρακάτω σύμβολα υποδεικνύουν πιθανές επικίνδυνες καταστάσεις. Να διαβάζετε πάντα τις πληροφορίες προσεκτικά και να παίρνετε όλες τις απαραίτητες προφυλάξεις για την προστασία ανθρώπων και περιουσίας.

ΣΥΜΒΟΛΑ ΠΟΥ ΕΜΦΑΝΙΖΟΝΤΑΙ ΕΠΑΝΩ ΣΤΙΣ ΟΔΗΓΙΕΣ ΧΡΗΣΗΣ



ΚΙΝΔΥΝΟΣ!

Υποδεικνύει μια επικίνδυνη κατάσταση με κίνδυνο θανάτου για το χειριστή.



ΠΡΟΣΟΧΗ!

Αυτό δείχνει έναν πιθανό κίνδυνο τραυματισμού για τους ανθρώπους.



ΠΡΟΣΟΧΗ!

Αυτό δείχνει μία προφύλαξη ή παρατήρηση που σχετίζεται με σημαντικές ή χρήσιμες λειτουργίες. Δώστε προσοχή στις παραγράφους που επισημαίνονται με αυτό το σύμβολο.



ΣΗΜΕΙΩΣΗ

Αυτό δείχνει μια παρατήρηση που σχετίζεται με σημαντικές ή χρήσιμες λειτουργίες.



ΣΥΜΒΟΥΛΕΥΣΗ

Αυτό δείχνει την ανάγκη να συμβουλευτείτε τις οδηγίες χρήσης πριν εκτελέσετε κάποια διαδικασία.

ΓΕΝΙΚΕΣ ΟΔΗΓΙΕΣ ΑΣΦΑΛΕΙΑΣ

Παρακάτω εμφανίζονται ειδικές προειδοποιήσεις και προφυλάξεις που ενημερώνουν σχετικά με πιθανές ζημιές σε ανθρώπους και το μηχάνημα.



ΚΙΝΔΥΝΟΣ!

- Αυτό το μηχάνημα πρέπει να το λειτουργεί εκπαιδευμένο και εξουσιοδοτημένο προσωπικό, σύμφωνα με τις οδηγίες του εγχειριδίου.
- Πριν εκτελέσετε κάποια διαδικασία καθαρισμού, συντήρησης, επισκευής ή αντικατάστασης, διαβάστε προσεκτικά όλες τις οδηγίες, φροντίστε να απενεργοποιήσετε το μηχάνημα (στη θέση OFF) και να αποσυνδέσετε το βύσμα της μπαταρίας.
- Μη λειτουργείτε το μηχάνημα κοντά σε τοξικές, επικίνδυνες, εύφλεκτες ή / και εκρηκτικές σκόνες, υγρά ή ατμούς. Αυτό το μηχάνημα δεν είναι κατάλληλο για τη συλλογή επικίνδυνης σκόνης.
- Μη φοράτε κοσμήματα όταν εργάζεστε κοντά σε ηλεκτρικά εξαρτήματα.
- Μην εργάζεστε κάτω από το ανυψωμένο μηχάνημα αν δεν υποστηρίζεται με βάσεις ασφαλείας.
- Κατά τη χρήση μπαταριών μολύβδου (WET), μπορεί να εκλύονται εύφλεκτα αέρια υπό κανονικές συνθήκες χρήσης. Για το λόγο αυτό πρέπει να κρατάτε μακριά από τις μπαταρίες τα εξής: σπινθήρες, φλόγες, τσιγάρα, αναπτήρες, σπέρτα, καθώς και αντικείμενα που εκπέμπουν ακτινοβολία, φωτισμό ή φλόγες.
- Κατά τη φόρτιση μπαταριών μολύβδου (WET), μπορεί να υπάρξει εκπομπή αερίου υδρογόνου, το οποίο μπορεί να εκραγεί. Πρέπει να διασφαλίσετε ότι το περιβάλλον φόρτισης αερίζεται καλά και βρίσκεται μακριά από γυμνή φλόγα.



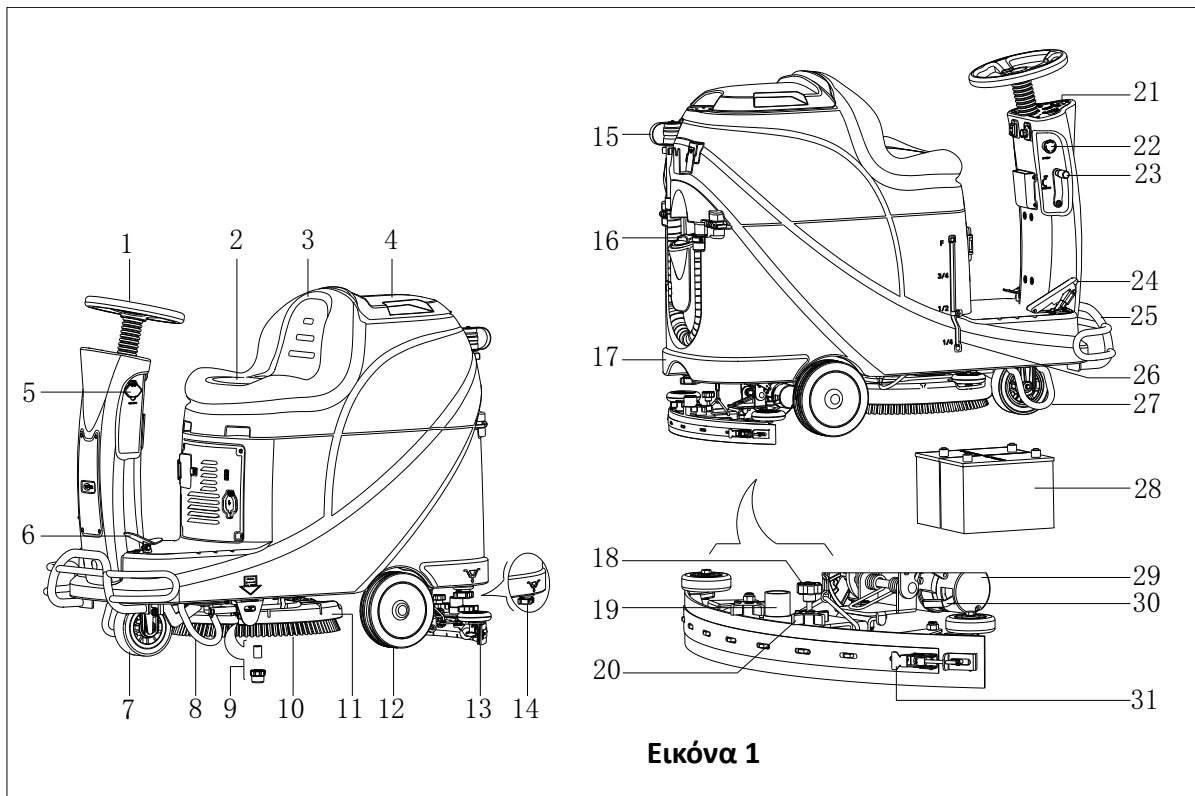
ΠΡΟΣΟΧΗ!

- Ελέγξτε προσεκτικά το μηχάνημα πριν από κάθε χρήση. Βεβαιωθείτε ότι όλα τα εξαρτήματα έχουν συναρμολογηθεί καλά πριν από τη χρήση. Διαφορετικά μπορεί να προκληθούν τραυματισμοί σε ανθρώπους και ζημιές σε περιουσίες.

- Πριν χρησιμοποιήσετε το φορτιστή μπαταρίας, βεβαιωθείτε ότι οι τιμές της συχνότητας και τάσης που αναγράφονται στην ετικέτα σειριακού αριθμού του μηχανήματος ταιριάζουν με τις τιμές του ηλεκτρικού σας ρεύματος.
- Ποτέ μη μετακινείτε τη συσκευή τραβώντας το καλώδιο του φορτιστή μπαταρίας. Μην περνάτε το καλώδιο μέσα από κλειστή πόρτα, ή πάνω από αιχμηρές άκρες ή γωνίες. Μην περνάτε το μηχανήμα πάνω από το καλώδιο του φορτιστή μπαταρίας. Κρατήστε το καλώδιο του φορτιστή μπαταρίας μακριά από θερμαινόμενες επιφάνειες.
Μην φορτίζετε τις μπαταρίες εάν έχει πάθει ζημιά το καλώδιο του φορτιστή μπαταρίας ή το φις.
- Για να μειώσετε τον κίνδυνο πυρκαγιάς, ηλεκτροπληξίας ή τραυματισμού, βεβαιωθείτε ότι η συσκευή είναι απενεργοποιημένη πριν φύγετε.
- Να χρησιμοποιείτε ή να αποθηκεύετε το μηχανήμα σε εσωτερικούς χώρους, σε στεγνό περιβάλλον· δεν επιτρέπεται για χρήση σε εξωτερικούς χώρους.
- Η θερμοκρασία αποθήκευσης και λειτουργίας του μηχανήματος πρέπει να είναι μεταξύ 0°C και +40°C. Η υγρασία του αέρα πρέπει να είναι μεταξύ 30% - 95%.
- Μη χρησιμοποιείτε το μηχανήμα σε πλαγιές με κλίση μεγαλύτερη από αυτή που περιλαμβάνεται στις προδιαγραφές.
- Όταν χρησιμοποιείτε και μεταχειρίζεστε απορρυπαντικά καθαρισμού πατωμάτων, ακολουθήστε τις οδηγίες που αναγράφονται στις ετικέτες των απορρυπαντικών και φορέστε κατάλληλα γάντια και προστατευτικά γυαλιά.
- Χρησιμοποιήστε τις βούρτσες και τους δίσκους που παρέχονται με το μηχανήμα ή αυτά που καθορίζονται στο εγχειρίδιο. Η χρήση άλλων βουρτσών και δίσκων μπορεί να μειώσει την ασφάλεια.
- Σε περίπτωση δυσλειτουργίας του μηχανήματος, ελέγξτε εάν οφείλεται σε έλλειψη συντήρησης. Εάν χρειάζεται, ζητήστε βοήθεια από εξουσιοδοτημένο προσωπικό ή από εξουσιοδοτημένο Κέντρο εξυπηρέτησης.
- Πάρτε όλες τις απαραίτητες προφυλάξεις για να μην πιαστούν μαλλιά, κοσμήματα και χαλαρά ενδύματα από κινούμενα μέρη του μηχανήματος.
- Μη χρησιμοποιείτε αυτό το μηχανήμα σε ιδιαίτερα βρώμικες περιοχές.
Μην πλένετε το μηχανήμα με νερό που πέφτει κατευθείαν πάνω του ή με νερό υπό πίεση, ή με διαβρωτικές ουσίες.
- Μη χτυπάτε πάνω σε ράφια ή σκαλωσιές, ιδίως εάν υπάρχει κίνδυνος πτώσης αντικειμένων.
- Μην ακουμπάτε δοχεία υγρού πάνω στο μηχανήμα, χρησιμοποιήστε τις θήκες για κάθε δοχείο.
- Για να αποφευχθεί η πρόκληση ζημιάς στο πάτωμα, μην αφήνετε να λειτουργήσει η βούρτσα / δίσκος, όσο το μηχανήμα είναι στάσιμο.
- Σε περίπτωση πυρκαγιάς, χρησιμοποιήστε πυροσβεστήρα ξηρής σκόνης. Μη χρησιμοποιείτε πυροσβεστήρες υγρού.
- Μην αφαιρείτε ή τροποποιείτε τα αυτοκόλλητα πάνω στο μηχανήμα.
- Μην παίζετε με τα διάφορα προστατευτικά του μηχανήματος. Να ακολουθείτε τις οδηγίες συντήρησης σχολαστικά.
- Προσοχή κατά τη μεταφορά του μηχανήματος, όταν η θερμοκρασία είναι κάτω από το σημείο ψύξης. Το νερό στον κάδο ακάθαρτου υγρού και στους σωλήνες μπορεί να παγώσει και να προκαλέσει σοβαρή βλάβη στο μηχανήμα.
- Εάν χρειάζεται να αντικατασταθούν κάποια ανταλλακτικά, παραγγείλτε ΓΝΗΣΙΑ ανταλλακτικά από εξουσιοδοτημένους εμπόρους, ή μεταπωλητές.
- Επιστρέψτε το μηχανήμα στο Κέντρο εξυπηρέτησης εάν δεν λειτουργεί όπως συνήθως ή εάν έχει ζημιά, έχει τοποθετηθεί σε εξωτερικό χώρο, ή έχει πέσει στο νερό.
- Για να εξασφαλίσετε σωστή και ασφαλή λειτουργία του μηχανήματος, πρέπει να πραγματοποιηθεί η προγραμματισμένη συντήρηση που φαίνεται στο σχετικό κεφάλαιο του παρόντος εγχειριδίου, από το αρμόδιο προσωπικό ή εξουσιοδοτημένο Κέντρο εξυπηρέτησης.
- Το μηχανήμα πρέπει να απορριφθεί σωστά, λόγω της παρουσίας τοξικών-επιβλαβών υλικών (μπαταρίες, κ.λπ.), τα οποία εμπίπτουν σε πρότυπα που απαιτούν απόρριψη σε ειδικά κέντρα (βλέπε κεφάλαιο «Απόσυρση»).
- Το μηχανήμα αυτό αποτελεί μόνο εργαλείο καθαρισμού, και δεν προορίζεται για οποιαδήποτε άλλη χρήση.
- Να καθαρίζετε πάντοτε τρίχες, σκόνη, και οποιοδήποτε άλλο ξένο υλικό από τα ανοίγματα, γιατί μπορεί να μειώσουν τη ροή αέρα. Μη χρησιμοποιείτε το μηχανήμα εάν έχουν φράξει τα ανοίγματα.
- Χρησιμοποιήστε το μηχανήμα μόνο όταν υπάρχει κατάλληλος φωτισμός.
- Αυτό το μηχανήμα δεν προορίζεται για χρήση από άτομα με μειωμένες σωματικές, αισθητηριακές ή διανοητικές ικανότητες ή έλλειψη εμπειρίας και γνώσης, εκτός εάν τελούν υπό επίβλεψη ή έχουν λάβει οδηγίες σχετικά με τη χρήση του μηχανήματος από κάποιον υπεύθυνο για την ασφάλειά τους.
- Ιδιαίτερη προσοχή απαιτείται όταν χρησιμοποιείται κοντά σε παιδιά.
- Τα παιδιά πρέπει να επιτηρούνται ώστε να μην παίζουν με το μηχανήμα.
- Όταν χρησιμοποιείτε αυτό το μηχανήμα, προσέξτε να μην προκληθεί ζημιά σε ανθρώπους ή αντικείμενα.

ΠΕΡΙΓΡΑΦΗ ΤΟΥ ΜΗΧΑΝΗΜΑΤΟΣ

ΔΟΜΗ ΜΗΧΑΝΗΜΑΤΟΣ (όπως φαίνεται στην Εικόνα 1)

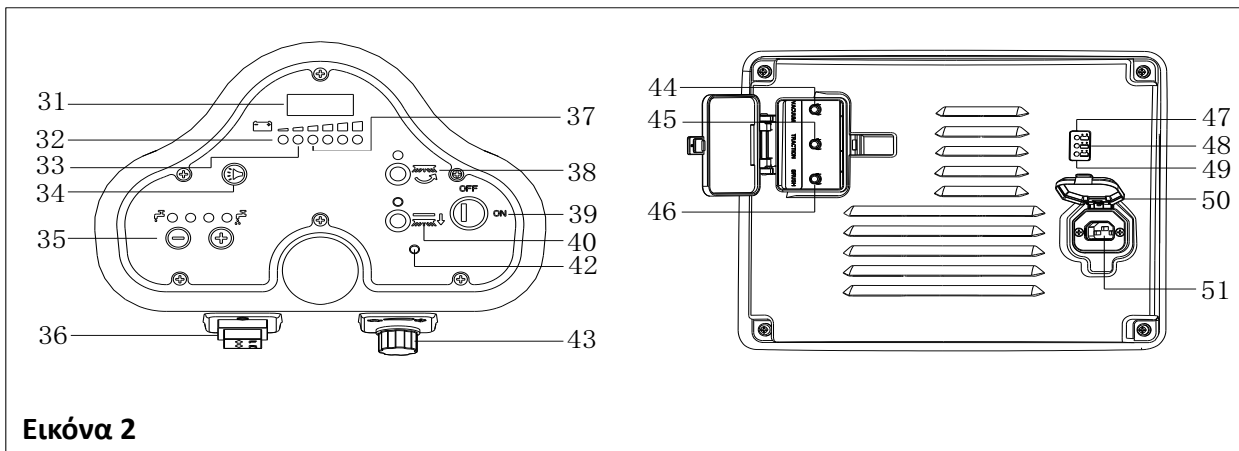


Εικόνα 1

- | | |
|--|---|
| 1. Τιμόνι | 17. Κάδος διαλύματος καθαρισμού |
| 2. Μαξιλαράκι καθίσματος | 18. Διακόπτης ρύθμισης μάκτρο |
| 3. Κάδος ακάθαρτου υγρού | 19. Σωλήνας απορρόφησης |
| 4. Κάλυμμα κάδου ακάθαρτου υγρού | 20. Κουμπί του μάκτρο |
| 5. Θύρα φόρτισης USB | 21. Πίνακας χειρισμού |
| 6. Πεντάλ | 22. Διακόπτης έκτακτης ανάγκης |
| 7. Εμπρός τροχός | 23. Μοχλός ανύψωσης / χαμηλώματος μάκτρο |
| 8. Αριστερός βραχίονας στήριξης | 24. Πεντάλ γκαζιού |
| 9. Φίλτρο διαλύματος καθαρισμού | 25. Μπροστινός προφυλακτήρας |
| 10. Βούρτσα | 26. Ενδεικτική λυχνία διαλύματος καθαρισμού |
| 11. Διάταξη βούρτσας | 27. Δεξιός βραχίονας στήριξης |
| 12. Πίσω τροχός | 28. Μπαταρία |
| 13. Διάταξη ελαστικού μάκτρο | 29. Μοτέρ κίνησης |
| 14. Κάλυμμα εξόδου διαλύματος καθαρισμού | 30. Βραχίονας πέλματος φρένων |
| 15. Σωλήνας αποστράγγισης λυμάτων | 31. Μάνταλο του μάκτρο |
| 16. Κάλυμμα εισόδου νερού | |

ΠΕΡΙΓΡΑΦΗ ΤΟΥ ΜΗΧΑΝΗΜΑΤΟΣ

ΠΙΝΑΚΑΣ ΕΛΕΓΧΟΥ (όπως φαίνεται στην Εικόνα 2)



Εικόνα 2

Οθόνη LED

Ενδεικτική λυχνία αδειάσματος της μπαταρίας (κόκκινη)

Ένδειξη ημιφορτισμένης μπαταρίας (κίτρινη)

Κουμπί κόρντας

Πλήκτρο ρύθμισης έντασης καθαριστικού διαλύματος

Διακόπτης κίνησης εμπρός-πίσω

8 Κουμπί βούρτσας

9 Διακόπτης με κλειδί (μίζα)

0 Κουμπί εκφόρτωσης βούρτσας

Φως προβλήματος του κινητήρα

Κουμπί ρύθμισης ταχύτητας

Σύστημα προστασίας του κινητήρα απορρόφησης από υπερφόρτιση

Σύστημα προστασίας του μοτέρ κίνησης από υπερφόρτιση

Σύστημα προστασίας του κινητήρα βούρτσας από υπερφόρτιση

Ένδειξη ημιαποφορτισμένης μπαταρίας (κίτρινη)

Κάλυμμα βύσματος φορτιστή

Βύσμα φορτιστή

ΠΛΗΡΟΦΟΡΙΕΣ ΟΘΟΝΗΣ LED

STOP: Το μηχάνημα δεν μπορεί να κινηθεί, η βούρτσα σταματά να λειτουργεί, αλλά ο κινητήρας απορρόφησης μπορεί να λειτουργήσει

(00012.3): Σύνολο ωρών εργασίας του μηχανήματος είναι 12,3 ώρες

L0-(18): Η τάση της μπαταρίας είναι χαμηλότερη από 18V

U-(25.5): Η τάση της μπαταρίας είναι 25,5V

ERR-01: Το μάκτρο δεν σηκώνεται όταν το μηχάνημα γυρίζει προς τα πίσω

ΟΘΟΝΗ ΑΠΕΙΚΟΝΙΣΗΣ ΤΗΣ ΕΝΔΕΙΞΗΣ ΦΟΡΤΙΣΤΗ (όπως φαίνεται στην Εικόνα 2)

- Κατά την έναρξη της φόρτισης, η κόκκινη λυχνία LED (49) του φορτιστή είναι κανονικά αναμμένη. Είναι το πρώτο στάδιο της φόρτισης.
- Αφού φορτίσει για κάποιο χρονικό διάστημα, η κόκκινη λυχνία LED (49) πάνω στο φορτιστή σβήνει και η κίτρινη λυχνία LED (48) ανάβει. Αυτό είναι το δεύτερο στάδιο φόρτισης.
- Όταν ολοκληρωθεί η φόρτιση, σβήνει η κίτρινη λυχνία LED (48) και ανάβει η πράσινη λυχνία LED (47) που δείχνει ότι η μπαταρία είναι πλήρως φορτισμένη.

ΣΗΜΕΙΩΣΗ



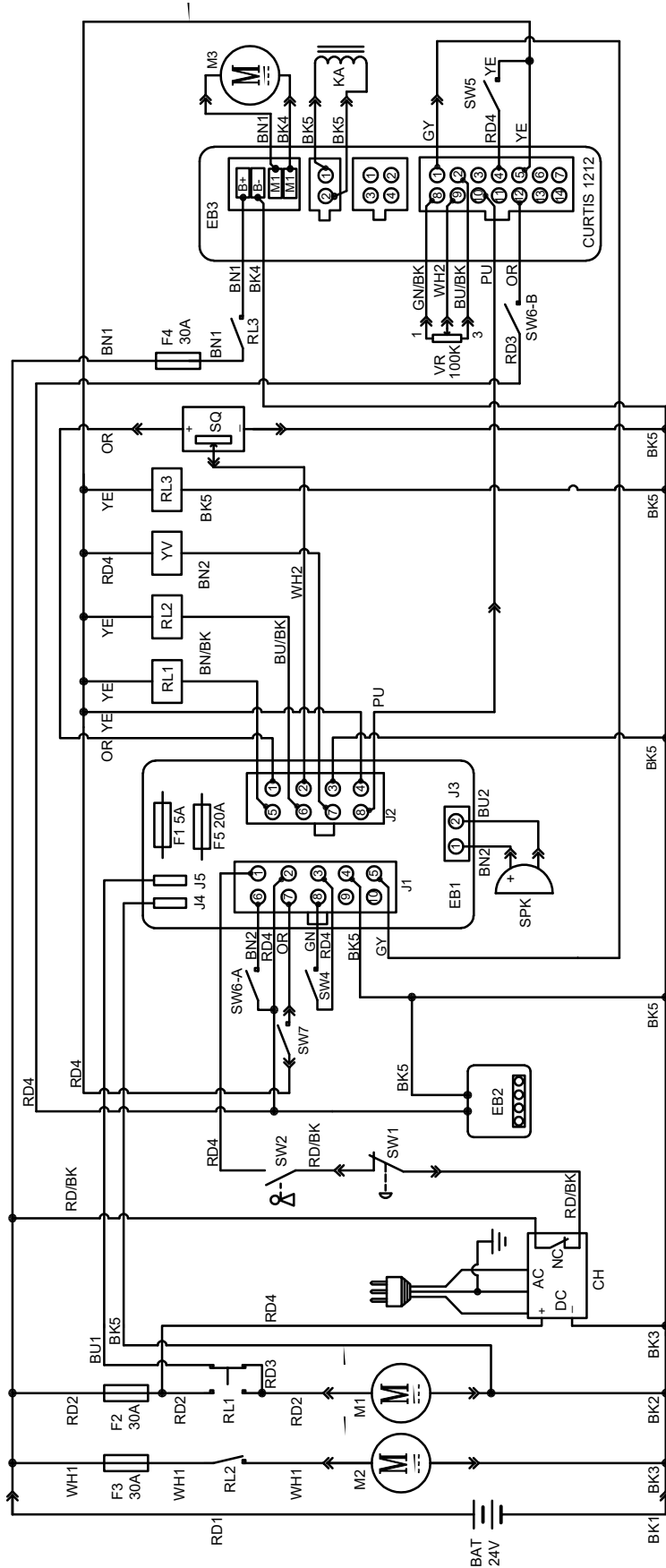
Κατά τη διαδικασία της φόρτισης, εάν είναι ενεργοποιημένο το κίτρινο φως (48), μπορεί να έχει προκληθεί από τα εξής: Η μπαταρία και ο φορτιστής δεν ταιριάζουν, η μπαταρία δεν έχει συνδεθεί καλά, ή η έξοδος έχει βραχυκυκλώσει.

Εάν αναβοσβήνει το κόκκινο φως του φορτιστή αυτό μπορεί να έχει προκληθεί από εσωτερικό βραχυκύκλωμα του φορτιστή.

ΤΕΧΝΙΚΕΣ ΠΑΡΑΜΕΤΡΟΙ

ΜΟΝΤΕΛΟ	AS530R	
Διαστάσεις συσκευασίας (Μ x Β x Υ)	mm	1470x730x1310
Ύψος μηχανήματος	mm	1120
Μήκος μηχανήματος	mm	1360
Πλάτος μηχανήματος (χωρίς το μάκτρο)	mm	580
Βάρος μηχανήματος με άδειους κάδους (χωρίς μπαταρίες)	Kg	140
Μικτό βάρος οχήματος	Kg	270
Βάρος αποστολής	Kg	245
Χωρητικότητα του κάδου διαλύματος καθαρισμού	Λίτρο	72
Χωρητικότητα του κάδου ακάθαρτου υγρού	Λίτρο	73
Ισχύς κινητήρα απορρόφησης	Watt	400
Απορροφητική χωρητικότητα	mm H ₂ O	1223
Αναρριχητική ικανότητα (μέγ.)	%	10
Διάμετρος εμπρός τροχού	mm	φ175
Διάμετρος πίσω τροχού	mm	φ230
Επίπεδο ήχου	dB(A)	69
Ροή καθαριστικού διαλύματος/νερού	L/min	0,84-2,0
Πλάτος εργασίας	mm	530
Πλάτος μάκτρο	mm	730
Διάμετρος βούρτσας / δίσκου	mm	530
Ισχύς κινητήρα βούρτσας	Watt	450
Ταχύτητα βούρτσας	Rpm	160
Πίεση μηχανισμού βούρτσας / δίσκου (μέγ.)	Kg	23
Ισχύς του μοτέρ κίνησης	Watt	300W
Ταχύτητα εργασίας	Km/h	5,5km/h
Τάση	V	24V
Μπαταρία (προαιρετικά)	Ah	2x100AH (20 ώρες)
Φορτιστής μπαταρίας (προαιρετικά)	V/A	24V 10A
Μέγεθος του χώρου μπαταρίας (Μ x Π x Υ)	mm	350*380*300
Προδιαγραφή φορτιστή USB	V/A	5V, 0,8A

ΔΙΑΓΡΑΜΜΑ ΚΥΚΛΩΜΑΤΟΣ



WIRE ROD	WIRE ROD
RD1	BN/BK
RD2	BU1
RD3	BU2
RD4	BU/BK
RD/BK	GN
BK1	GN/BK
BK2	GY
BK3	PU
BK4	OR
BK5	YE
BN1	WH1
BN2	BROWN/20AWG

COMPONENTS	
BAT	24V BATTERIES
CH	BATTERY CHARGER
EB1	CONTROL PANEL BOARD
EB2	USB CHARGING ELECTRONIC BOARD
EB3	DRIVE ELECTRONIC BOARD
RL1	BRUSH MOEOR ELECTROM SWITCH
RL2	VACUUM MOEOR ELECTROM SWITCH
RL3	DRIVE SYSTEM ELECTROM SWITCH
YV	WATER ELECTROVALVE
F1	CONTROL PANEL BOARD FUSE
F2	BRUSH MOTOR CIRCUIT BREAKER
F3	VACUUM MOTOR CIRCUIT BREAKER
F4	DRIVE SYSTEM CIRCUIT BREAKER
F5	BRUSH RELEASE FUSE
KA	BRAKE
M1	BRUSH MOTOR
M2	VACUUM MOTOR
M3	DRIVE MOTOR
SW1	EMERGENCY-STOP SWITCH
SW2	KEY SWITCH
SW4	VACUUM MOTOR SWITCH
SW5	OPTIONAL MODE SWITCH
SW6-A	OPTIONAL REVERSE SWITCH
SW6-B	OPTIONAL REVERSE SWITCH
SW7	SEAT SWITCH
SQ	FOOT THROTTLE
SPK	12VDC BUZZER
VR	SPEED POTENTIOMETER

ΕΞΑΡΤΗΜΑΤΑ		ΕΞΑΡΤΗΜΑΤΑ	
ΒΑΤ	ΜΠΑΤΑΡΙΕΣ 24V	M1	ΚΙΝΗΤΗΡΑΣ ΒΟΥΡΤΣΑΣ
CH	ΦΟΡΤΙΣΤΗΣ ΜΠΑΤΑΡΙΑΣ	M2	ΚΙΝΗΤΗΡΑΣ ΑΠΟΡΡΟΦΗΣΗΣ
EB1	ΠΙΝΑΚΑΣ ΧΕΙΡΙΣΜΟΥ	M3	ΜΟΤΕΡ ΚΙΝΗΣΗΣ
EB2	ΗΛΕΚΤΡΟΝΙΚΟΣ ΠΙΝΑΚΑΣ ΦΟΡΤΙΣΤΗ USB	SW1	ΔΙΑΚΟΠΤΗΣ ΔΙΑΚΟΠΗΣ ΕΚΤΑΚΤΗΣ ΑΝΑΓΚΗΣ
EB3	ΗΛΕΚΤΡΟΝΙΚΗ ΠΛΑΚΕΤΑ ΚΙΝΗΤΗΡΑ	SW2	ΔΙΑΚΟΠΤΗΣ ΜΕ ΚΛΕΙΔΙ
RL1	ΗΛΕΚΤΡΟΜΑΓΝΗΤΙΚΟΣ ΔΙΑΚΟΠΤΗΣ ΚΙΝΗΤΗΡΑ ΒΟΥΡΤΣΑΣ		
RL2	ΗΛΕΚΤΡΟΜΑΓΝΗΤΙΚΟΣ ΔΙΑΚΟΠΤΗΣ ΚΙΝΗΤΗΡΑ ΑΠΟΡΡΟΦΗΤΙΚΟΥ ΜΗΧΑΝΙΣΜΟΥ	SW4	ΔΙΑΚΟΠΤΗΣ ΚΙΝΗΤΗΡΑ ΑΠΟΡΡΟΦΗΣΗΣ
RL3	ΗΛΕΚΤΡΟΜΑΓΝΗΤΙΚΟΣ ΔΙΑΚΟΠΤΗΣ ΣΥΣΤΗΜΑΤΟΣ ΚΙΝΗΣΗΣ	SW5	ΠΡΟΑΙΡΕΤΙΚΟΣ ΔΙΑΚΟΠΤΗΣ ΛΕΙΤΟΥΡΓΙΑΣ
ΥV	ΗΛΕΚΤΡΟΒΑΝΑ ΝΕΡΟΥ	SW6-A	ΠΡΟΑΙΡΕΤΙΚΟΣ ΔΙΑΚΟΠΤΗΣ ΟΠΙΣΘΕΝ
F1	ΑΣΦΑΛΕΙΑ ΠΙΝΑΚΑ ΕΛΕΓΧΟΥ	SW6-B	ΠΡΟΑΙΡΕΤΙΚΟΣ ΔΙΑΚΟΠΤΗΣ ΟΠΙΣΘΕΝ
F2	ΔΙΑΚΟΠΤΗΣ ΚΥΚΛΩΜΑΤΟΣ ΜΟΤΕΡ ΒΟΥΡΤΣΑΣ	SW7	ΔΙΑΚΟΠΤΗΣ ΚΑΘΙΣΜΑΤΟΣ
F3	ΔΙΑΚΟΠΤΗΣ ΚΥΚΛΩΜΑΤΟΣ ΜΟΤΕΡ ΑΠΟΡΡΟΦΗΤΙΚΟΥ ΜΗΧΑΝΙΣΜΟΥ	SQ	ΠΕΝΤΑΛ ΓΚΑΖΙΟΥ
F4	ΔΙΑΚΟΠΤΗΣ ΚΥΚΛΩΜΑΤΟΣ ΣΥΣΤΗΜΑΤΟΣ ΚΙΝΗΣΗΣ	SPK	ΒΟΜΒΗΤΗΣ 12VDC
F5	ΑΣΦΑΛΕΙΑ ΑΠΕΛΕΥΘΕΡΩΣΗΣ ΒΟΥΡΤΣΑΣ	VR	ΠΟΤΕΝΣΙΟΜΕΤΡΟ ΤΑΧΥΤΗΤΑΣ
ΚΑ	ΦΡΕΝΟ		

ΧΟΝΔΡΟΣΥΡΜΑ		ΧΟΝΔΡΟΣΥΡΜΑ	
RD1	ΚΟΚΚΙΝΟ/6AWG	BN/BK	ΚΑΦΕ/ΜΑΥΡΟ/20AWG
RD2	ΚΟΚΚΙΝΟ/10AWG	BU1	ΜΠΛΕ/18AWG
RD3	ΚΟΚΚΙΝΟ/18AWG	BU2	ΜΠΛΕ/20AWG
RD4	ΚΟΚΚΙΝΟ/20AWG	BU/BK	ΜΑΥΡΟ/ΜΠΛΕ/20AWG
RD/BK	ΚΟΚΚΙΝΟ/ΜΑΥΡΟ/20AWG	GN	ΠΡΑΣΙΝΟ/20AWG
BK1	ΜΑΥΡΟ/6AWG	GN / BK	ΠΡΑΣΙΝΟ/ΜΑΥΡΟ/20AWG
BK2	ΜΑΥΡΟ/10AWG	GY	ΓΚΡΙ/20AWG
BK3	ΜΑΥΡΟ/12AWG	PU	ΜΟΒ/20AWG
BK4	ΜΑΥΡΟ/14AWG	OR	ΠΟΡΤΟΚΑΛΙ/20AWG
BK5	ΜΑΥΡΟ/18AWG	YE	ΚΙΤΡΙΝΟ/20AWG
BN1	ΚΑΦΕΤΙ/14AWG	WH1	ΛΕΥΚΟ/12AWG
BN2	ΚΑΦΕΤΙ/20AWG	WH2	ΛΕΥΚΟ/20AWG

ΟΔΗΓΟΣ ΧΡΗΣΗΣ



ΠΡΟΣΟΧΗ!

Δώστε μεγάλη προσοχή σε αυτά τα σύμβολα που βρίσκονται σε αυτό το εγχειρίδιο:

- ΚΙΝΔΥΝΟΣ!
- ΠΡΟΕΙΔΟΠΟΙΗΣΗ!
- ΠΡΟΣΟΧΗ!
- ΣΥΜΒΟΥΛΗ

Ποτέ μην καλύπτετε αυτά τα σύμβολα στο μηχάνημα, για κανένα λόγο. Αντικαταστήστε τα αμέσως εάν υπάρξει κάποια ζημιά.

ΕΓΚΑΤΑΣΤΑΣΗ ΚΑΙ ΡΥΘΜΙΣΗ ΤΗΣ ΜΠΑΤΑΡΙΑΣ ΤΟΥ ΝΕΟΥ ΜΗΧΑΝΗΜΑΤΟΣ

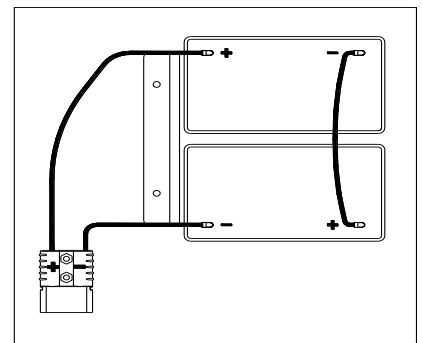


ΠΡΟΣΟΧΗ!

Τα ηλεκτρικά εξαρτήματα του μηχανήματος μπορεί να έχουν υποστεί σοβαρές ζημιές, εάν οι μπαταρίες είτε δεν έχουν εγκατασταθεί σωστά ή δεν έχουν συνδεθεί σωστά.

Οι μπαταρίες θα πρέπει να εγκατασταθούν από εξειδικευμένο προσωπικό. Ρυθμίστε το φορτιστή μπαταριών (προαιρετικά) και την πλακέτα τυπωμένων κυκλωμάτων του μηχανήματος σύμφωνα με τον τύπο της μπαταρίας (WET ή GEL/AGM).

Ελέγξτε εάν οι μπαταρίες έχουν υποστεί βλάβη πριν από την εγκατάσταση. Αποσυνδέστε το βύσμα της μπαταρίας και το βύσμα του φορτιστή μπαταρίας. Χειριστείτε τις μπαταρίες με μεγάλη προσοχή.



Εικόνα 3



ΣΗΜΕΙΩΣΗ

Το μηχάνημα χρειάζεται δύο μπαταρίες 12V, που να έχουν τοποθετηθεί σύμφωνα με την Εικόνα 3.

Το μηχάνημα μπορεί να λειτουργεί με έναν από τους παρακάτω τρόπους μπαταρίας:

A) Έχουν ήδη εγκατασταθεί μπαταρίες WET ή GEL/AGM και είναι έτοιμες για χρήση

1. Ελέγξτε τις μπαταρίες και συνδέστε το βύσμα της μπαταρίας με το μηχάνημα.
2. Τοποθετήστε το κλειδί της μίζας (40) και γυρίστε το στο «On». Εάν ανάψει το πράσινο φως (37), οι μπαταρίες είναι πλήρως φορτισμένες και έτοιμες για χρήση. Εάν ανάψει το κίτρινο ή το κόκκινο φως (33 ή 32), πρέπει να φορτίσετε τις μπαταρίες.

B) Χωρίς μπαταρίες

1. Εάν το μηχάνημά σας δεν είναι εξοπλισμένο με μπαταρίες, αγοράστε κατάλληλες μπαταρίες [Ανατρέξτε στην παράγραφο «Τεχνικά χαρακτηριστικά»]. Για επιλογή και τοποθέτηση της μπαταρίας, επιλέξτε ειδικούς λιανοπωλητές μπαταριών.
2. Όταν είναι έτοιμες οι μπαταρίες, ρυθμίστε τη συσκευή και το φορτιστή μπαταρίας ανάλογα με τον τύπο των εγκατεστημένων μπαταριών και, στη συνέχεια, ακολουθήστε τις διαδικασίες που εμφανίζονται στην επόμενη παράγραφο.

ΕΓΚΑΤΑΣΤΑΣΗ ΜΠΑΤΑΡΙΑΣ ΚΑΙ ΡΥΘΜΙΣΗ ΤΥΠΟΥ ΜΠΑΤΑΡΙΑΣ (WET ή GEL/AGM)

Ρυθμίστε την ηλεκτρονική πλακέτα του φορτιστή και την μπαταρία του μηχανήματος, ανάλογα με τον τύπο της μπαταρίας (WET ή GEL/AGM), ακολουθώντας τα βήματα παρακάτω:






ΣΗΜΕΙΩΣΗ

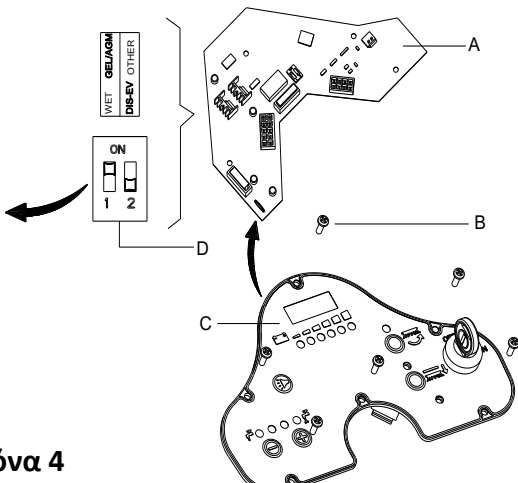
Όταν εγκαταστήσετε νέες μπαταρίες, ακολουθήστε την Εικόνα 4 για να ρυθμίσετε το διακόπτη DIP [διακόπτη κιβωτίου διπλής σειράς συνδέσεων], διαφορετικά οι μπαταρίες μπορεί να υποστούν ζημιά από λάθος ρύθμιση.

Ρύθμιση του μηχανήματος

1. Τοποθετήστε το κλειδί της μίζας (40) και γυρίστε το στη θέση «ON». Δώστε προσοχή στα παρακάτω κατά τα πρώτα δευτερόλεπτα εκκίνησης του μηχανήματος:
 - Εάν αναβοσβήνει το πράσινο φως (37), το μηχάνημα έχει ρυθμιστεί να χρησιμοποιεί μπαταρίες GEL/AGM.
 - Εάν αναβοσβήνει το κίτρινο φως (33), το μηχάνημα έχει ρυθμιστεί να χρησιμοποιεί μπαταρίες Discover EV AGM.
 - Εάν αναβοσβήνει το κόκκινο φως (32), το μηχάνημα έχει ρυθμιστεί να χρησιμοποιεί μπαταρίες WET.
2. Ακολουθήστε τα παρακάτω βήματα για να αλλάξετε τις ρυθμίσεις του μηχανήματος.
3. Η εργοστασιακή ρύθμιση του μηχανήματος είναι να χρησιμοποιεί μπαταρίες Discover EV AGM. Εάν η ρύθμιση αντιστοιχεί στις επιλεγμένες μπαταρίες, πηγαίστε άμεσα στο Βήμα 6 ή ακολουθήστε το επόμενο βήμα.

- Ξεβιδώστε τη βίδα (B, Εικόνα 4) στον πίνακα ελέγχου, μετά γυρίστε ανάποδα την πλακέτα τυπωμένου κυκλώματος (A) στον πίνακα για να βρείτε το διακόπτη DIP (D), και ακολουθήστε την εικόνα 4 για τις ρυθμίσεις του διακόπτη DIP.
- Εκτελέστε τα βήματα σε αντίθετη σειρά από της αποσυναρμολόγησης για να επιδιορθώσετε τον πίνακα ελέγχου και να κλειδώσετε στη θέση της τη βίδα αφού ρυθμιστεί.

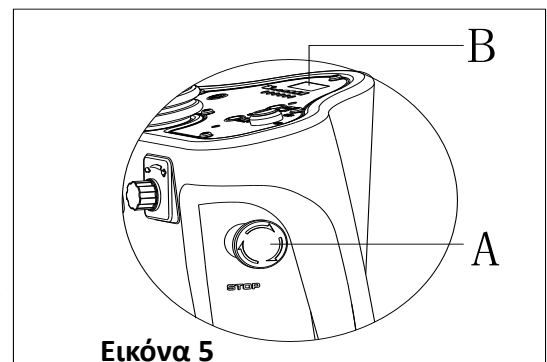
1		ΜΠΑΤΑΡΙΕΣ ΥΓΡΟΥ ΤΥΠΟΥ (ΣΗΜΕΙΩΣΗ: Γυρίστε την ακίδα 1 και την ακίδα 2 του διακόπτη DIP στη θέση «OFF»)
2		ΜΠΑΤΑΡΙΕΣ DISCOVER EV AGM (ΣΗΜΕΙΩΣΗ: Γυρίστε την ακίδα 1 του διακόπτη DIP στη θέση «ON», και την ακίδα 2 στη θέση «OFF»)
3		ΓΕΝΙΚΕΣ ΜΠΑΤΑΡΙΕΣ GEL/AGM (ΣΗΜΕΙΩΣΗ: Γυρίστε την ακίδα 1 και την ακίδα 2 του διακόπτη DIP στη θέση «ON»)



Εικόνα 4

Εγκατάσταση της μπαταρίας

- Ανοίξτε το κάλυμμα του κάδου ακάθαρτου υγρού (4) και βεβαιωθείτε ότι ο κάδος ακάθαρτου υγρού (3) είναι άδειος, αλλιώς αδειάστε τον με το σωλήνα αποστράγγισης (15).
- Κλείστε το κάλυμμα του κάδου ακάθαρτου υγρού (4).
- Αναποδογυρίστε προσεκτικά το δοχείο ακάθαρτου υγρού (3).
- Το μηχάνημα είναι εφοδιασμένο με καλώδια κατάλληλα για την εγκατάσταση 2x12V μπαταριών. Τοποθετήστε προσεκτικά τις μπαταρίες μέσα στη θήκη, και στη συνέχεια εγκαταστήστε τις σωστά.
- Περάστε το καλώδιο της μπαταρίας και εγκαταστήστε το όπως φαίνεται στην (Εικόνα 3) και, στη συνέχεια, σφίξτε προσεκτικά το παξιμάδι σε κάθε πόλο της μπαταρίας.
- Τοποθετήστε το προστατευτικό κάλυμμα σε κάθε πόλο και, στη συνέχεια, συνδέστε το βύσμα της μπαταρίας.
- Προσεκτικά κατεβάστε το καπάκι του κάδου ακάθαρτου υγρού (3).



Φόρτιση των μπαταριών

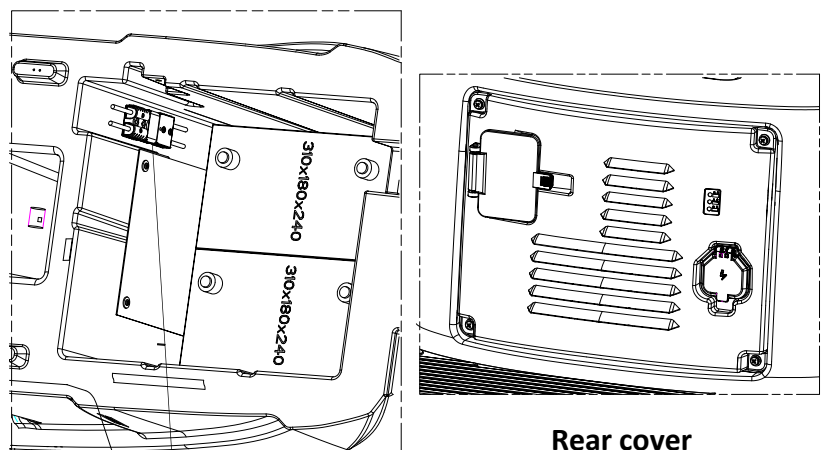
- Φόρτιση των μπαταριών. [Ανατρέξτε στο κεφάλαιο ΣΥΝΤΗΡΗΣΗ].

Ρύθμιση φορτιστή μπαταρίας (μόνο αν έχει εγκατασταθεί ενσωματωμένος φορτιστής)

Φορτιστής μπαταρίας

Ο φορτιστής μπαταρίας βρίσκεται εντός του πίσω καλύμματος και συνδέεται απευθείας με τις μπαταρίες. Ο φορτιστής ελέγχεται μέσω μικροεπεξεργαστή και χρησιμοποιεί για βέλτιστη απόδοση διαφορετικές καμπύλες φόρτισης για διαφορετικούς τύπους μπαταρίας.

- Αποσυνδέστε τον σύνδεσμο καλωδίου που καταλήγει στις μπαταρίες.
- Αφαιρέστε τα πίσω καλύμματα.
- Αφαιρέστε τις 4 βίδες (B) και αφαιρέστε τον φορτιστή (A).

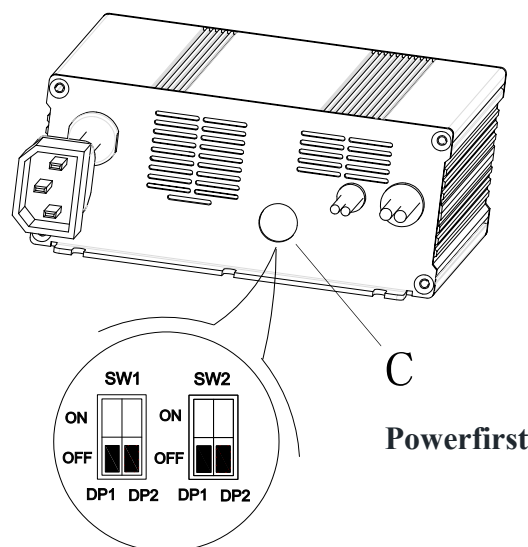
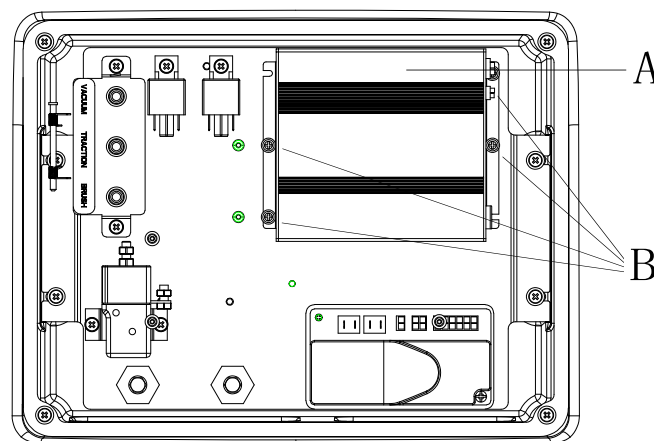
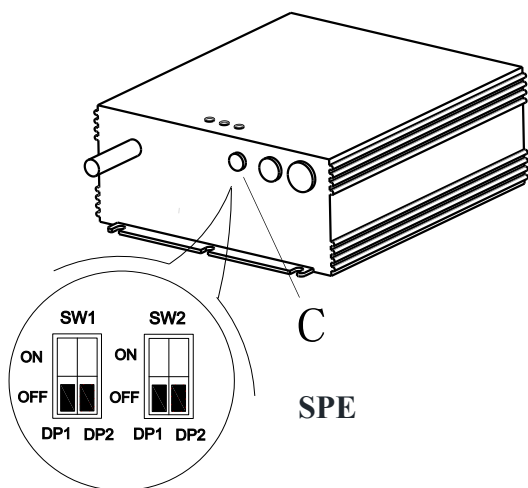


Διακόπτες DIP τύπου μπαταρίας

Η λειτουργία του φορτιστή ελέγχεται μέσω 4 διακοπών DIP (2 ζεύγη) εντός του πίσω καλύμματος. Τους 2 δεύτερους διακόπτες δεν θα πρέπει να τους αγγίζετε ποτέ, παρά μόνο αν έχει αντικατασταθεί ο φορτιστής και χρειάζεται επιβεβαίωση της θέσης τους. Ρυθμίζουν την τάση μπαταρίας (24V) και τη μέγιστη ένταση (10A) και θα πρέπει να βρίσκονται πάντα στη θέση απενεργοποίησης.

Πρόσβαση στους 2 πρώτους διακόπτες παρέχεται μέσω ενός πλαστικού βύσματος, χωρίς άνοιγμα του φορτιστή. Αυτοί οι διακόπτες ρυθμίζουν τον τύπο της καμπύλης φόρτισης που χρησιμοποιείται για κάθε τύπο μπαταρίας. Ο τύπος καμπύλης σηματοδοτεί τον τρόπο και το μέγεθος με τα οποία εφαρμόζεται ένταση και τάση στην μπαταρία κατά τις διακριτές φάσεις του κύκλου φόρτισης.

1. Αφαιρέστε το πλαστικό βύσμα που καλύπτει την οπή (C) πρόσβασης στον διακόπτη DIP.
2. Ρυθμίστε τους 2 πρώτους διακόπτες DIP (SW1) σύμφωνα με τα δεδομένα του παρακάτω πίνακα.
3. Επανατοποθετήστε το πλαστικό βύσμα.



Curve/Battery Type	SW1		SW2	
	D1	D2	D1	D2
IUIa Wet	On	Off		
IUIa Gel Exide	Off	Off	Off	Off
IUoU AGM	Off	On		
IUIa AGM Discover	On	On		

Curve/Battery Type	SW1		SW2	
	D1	D2	D1	D2
IUIa Wet	On	Off		
IUIa Gel Exide	Off	Off	Off	Off
IUIa AGM	Off	On		
IUIa AGM Discover	On	On		

ΕΠΕΙΓΟΥΣΑ ΠΕΔΗΣΗ

Εάν υπάρχει έκτακτη ανάγκη κατά τη διάρκεια λειτουργίας του μηχανήματος, πατήστε το διακόπτη έκτακτης ανάγκης (A, Εικόνα 5), και όλες οι λειτουργίες του μηχανήματος θα σταματήσουν, δεν θα υπάρχει καμία ένδειξη στον πίνακα ελέγχου (B, Εικόνα 5).

ΕΓΚΑΤΑΣΤΑΣΗ ΚΑΙ ΑΠΕΓΚΑΤΑΣΤΑΣΗ ΒΟΥΡΤΣΑΣ / ΔΙΣΚΟΥ



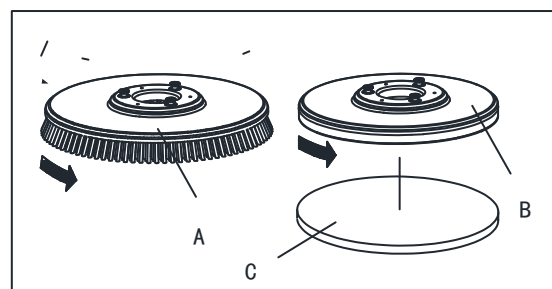
ΣΗΜΕΙΩΣΗ

Τοποθετήστε κατάλληλη βούρτσα (A, Εικόνα 6) ή δίσκο (B και C, Εικόνα 6) σύμφωνα με τον τύπο δαπέδου που πρόκειται να καθαρίσετε.



ΠΡΟΣΟΧΗ

Πριν εγκαταστήσετε ή απεγκαταστήσετε το μηχανισμό βούρτσας / δίσκου, φροντίστε όλοι οι διακόπτες του μηχανήματος να βρίσκονται στη θέση «Off» και το μάκτρο να έχει ανασηκωθεί από το πάτωμα. Ο χειριστής πρέπει να έχει τις ανάλογες προστατευτικές συσκευές για το προσωπικό, όπως, π.χ., γάντια, για περιορισμό του κινδύνου ατυχημάτων. Ενεργήστε ως εξής:



Εικόνα 6

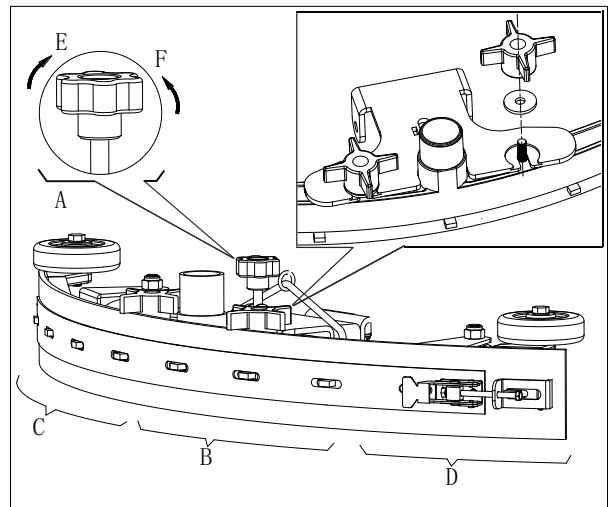
1. Τοποθετήστε το κλειδί της μίζας (40) και γυρίστε το στο «On».
2. Με το πόδι πατήστε το πεντάλ (6) προς τα εμπρός για να ανασηκώσετε τη μονάδα της βούρτσας (11) από το πάτωμα.
3. Περιστρέψτε το κουμπί ρύθμισης της ταχύτητας (42) αριστερόστροφα μέχρι το τέλος.
4. Τοποθετήστε τη βούρτσα (A, Εικόνα 5) ή το δίσκο (B, Εικόνα 5) έτσι ώστε να ευθυγραμμιστεί στο κέντρο με τη διάταξη της βούρτσας.
5. Πατήστε το πεντάλ (6) προς τα πίσω με το πόδι, για να κατεβάσετε τη διάταξη της βούρτσας (11). Καθίστε στο κάθισμα, πιέστε το κουμπί της βούρτσας (39) και πατήστε το πεντάλ (23) ελαφριά. Η βούρτσα ή ο δίσκος μπορούν να συναρμολογηθούν αυτόματα. Επαναλάβετε αυτά τα βήματα μέχρι να έχουν εγκατασταθεί η βούρτσα ή ο δίσκος.
6. Εάν δεν πετύχετε στο βήμα 5, χαμηλώστε με το χέρι τη βούρτσα / δίσκο.
7. Πατήστε το πεντάλ (6) προς τα εμπρός με το πόδι για να σηκώσετε τη διάταξη της βούρτσας (11) από το δάπεδο, πατήστε το κουμπί αφαίρεσης βούρτσας (41) για αυτόματη απεγκατάσταση.

**ΠΡΟΣΟΧΗ!**

Περιστρέψτε το διακόπτη ρύθμισης ταχύτητας (42) για να πάει στην ελάχιστη ταχύτητα πριν πατήσετε το πεντάλ (6) για επιτάχυνση, για να μην τρέχει πολύ γρήγορα το μηχάνημα όταν ξεκινήσει. Φροντίστε να τοποθετηθεί σωστά η βούρτσα / δίσκος πριν θέσετε σε λειτουργία το μηχάνημα.

ΡΥΘΜΙΣΗ ΙΣΟΡΡΟΠΙΑΣ ΤΟΥ ΜΑΚΤΡΟΥ

1. Εγκαταστήστε το μάκτρο (13) και στερεώστε τη λαβή του μάκτρο (20). Στη συνέχεια, συνδέστε το σωλήνα απορρόφησης (19) με το μάκτρο.
2. Ρυθμίστε το μάκτρο ρυθμίζοντας τη λαβή του (A, Εικόνα 7).
 - a) Εάν υπάρχει κενό μεταξύ του εδάφους και του μεσαίου τμήματος του πτερυγίου του πίσω μάκτρο (B), ρυθμίστε το διακόπτη (A) αριστερόστροφα (F) μέχρις ότου όλη η ενότητα του πτερυγίου του πίσω μάκτρο να κάνει καλή επαφή με το έδαφος, και το μπροστινό πτερύγιο να αγγίζει ελαφρώς το έδαφος.
 - b) Εάν υπάρχει κενό μεταξύ του εδάφους και του πίσω τμήματος του πίσω πτερυγίου (C και D), ρυθμίστε το διακόπτη (A) δεξιόστροφα (E) μέχρις ότου όλη η ενότητα του πίσω πτερυγίου να κάνει καλή επαφή με το έδαφος, και το μπροστινό πτερύγιο να αγγίζει ελαφρώς το έδαφος.



Εικόνα 7

ΓΕΜΙΣΜΑ ΤΟΥ ΚΑΔΟΥ ΚΑΘΑΡΙΣΤΙΚΟΥ ΔΙΑΛΥΜΑΤΟΣ

1. Ανοίξτε το κάλυμμα εισόδου νερού (E, Εικόνα 8).
2. Συμπληρώστε νερό ή καθαριστικό διάλυμα κατάλληλο για το έργο που έχετε να κάνετε, μέσω της εισόδου νερού με φίλτρο. Η θερμοκρασία του διαλύματος δεν πρέπει να υπερβαίνει τους +104F (+40°C).
3. Μη γεμίζετε υπερβολικά τον κάδο. Δείτε την ένδειξη στάθμης νερού (G) για την ποσότητα νερού που χρειάζεται.

**ΠΡΟΣΟΧΗ!**

Χρησιμοποιείτε μόνο απορρυπαντικά με λίγο αφρό και μη εύφλεκτα, που προορίζονται για εφαρμογές αυτόματης πλυντρίδας.

Επιθεώρηση του μοτέρ κίνησης

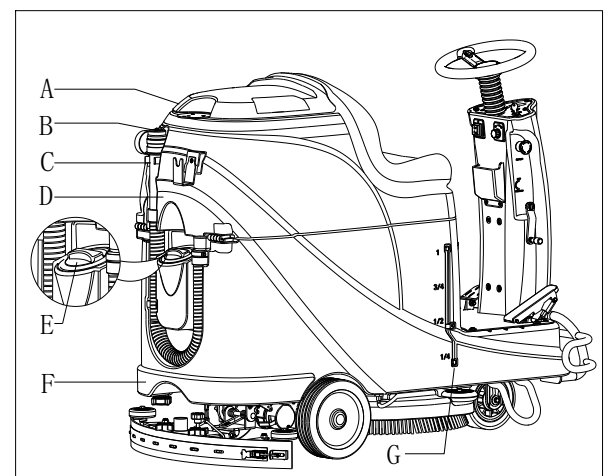
1. Γυρίστε το κλειδί της μίζας (A, Εικόνα 9) στη θέση «ON»
2. Πατήστε το πεντάλ επιτάχυνσης (C) ελαφριά. Μετά χαλαρώστε την πίεση για να ελέγξετε εάν μπορείτε να κατευθύνετε το μηχάνημα προς τα εμπρός και να το σταματήσετε.
3. Για ασφάλεια, επιβεβαιώστε ότι μπορείτε να σταματήσετε αμέσως το μηχάνημα πατώντας το κουμπί έκτακτης ανάγκης (B). Περιστρέψτε το κουμπί έκτακτης ανάγκης για να το επαναφέρετε.

**ΠΡΟΣΟΧΗ**

Η ικανότητα αναρρίχησης του μηχανήματος δεν πρέπει να υπερβαίνει το 10%.

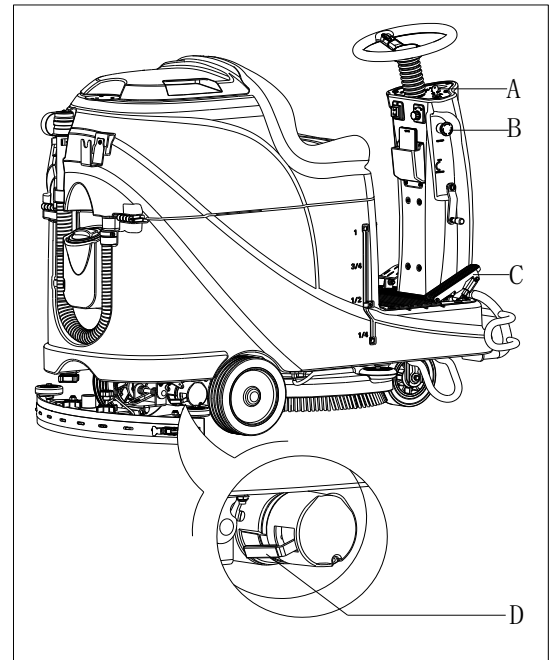
**ΠΡΟΣΟΧΗ**

Το φρένο του μοτέρ κίνησης είναι ελεύθερο όταν λειτουργεί κανονικά ο κινητήρας, και ασφαλίζει όταν ο κινητήρας σταματά να λειτουργεί.



Εικόνα 8

- Φρένο ελεύθερο: η λαβή του φρένου (D, Εικόνα 9) βρίσκεται πάνω
- Φρένο ασφαλισμένο: η λαβή του φρένου βρίσκεται κάτω
Σε ορισμένες ειδικές περιπτώσεις, όπως κατά τη συσκευασία/αποσυσκευασία του μηχανήματος, βλάβη του μηχανήματος κ.λπ., πρέπει να μετακινήσετε το μηχανήμα χωρίς να λειτουργεί το μοτέρ κίνησης, και να απελευθερώσετε το φρένο με το χέρι για να το μετακινήσετε.
Για να αποφευχθεί πιθανός κίνδυνος ως προς την ασφάλειά σας, φροντίστε να τοποθετήσετε και πάλι το φρένο στη θέση κλειδώματος αφού μετακινήσετε το μηχανήμα.



Εικόνα 9

ΕΚΚΙΝΗΣΗ ΚΑΙ ΤΕΡΜΑΤΙΣΜΟΣ ΤΟΥ ΜΗΧΑΝΗΜΑΤΟΣ

Εκκίνηση του μηχανήματος

1. Προετοιμάστε το μηχανήμα όπως φαίνεται στην προηγούμενη παράγραφο.
2. Καθίστε στο κάθισμα (L, Εικόνα 10), τοποθετήστε το κλειδί μίζας (A) και γυρίστε το στη θέση «ON». Εάν είναι ενεργοποιημένο το πράσινο φως (C), οι μπαταρίες είναι πλήρως φορτισμένες και έτοιμες για χρήση. Εάν είναι ενεργοποιημένο το κίτρινο φως (E) ή το κόκκινο (D), πρέπει να φορτιστούν οι μπαταρίες πριν από τη λειτουργία. [Ανατρέξτε στο κεφάλαιο ΣΥΝΤΗΡΗΣΗ για φόρτιση των μπαταριών]
3. Χαμηλώστε το μάκτρο στο πάτωμα.

ΣΗΜΕΙΩΣΗ



Φροντίστε το μάκτρο να είναι σηκωμένο πριν οδηγήσετε το μηχανήμα προς τα πίσω, διαφορετικά θα σταματήσει το μηχανήμα και η οθόνη LED θα δείχνει το μήνυμα «Σφάλμα».

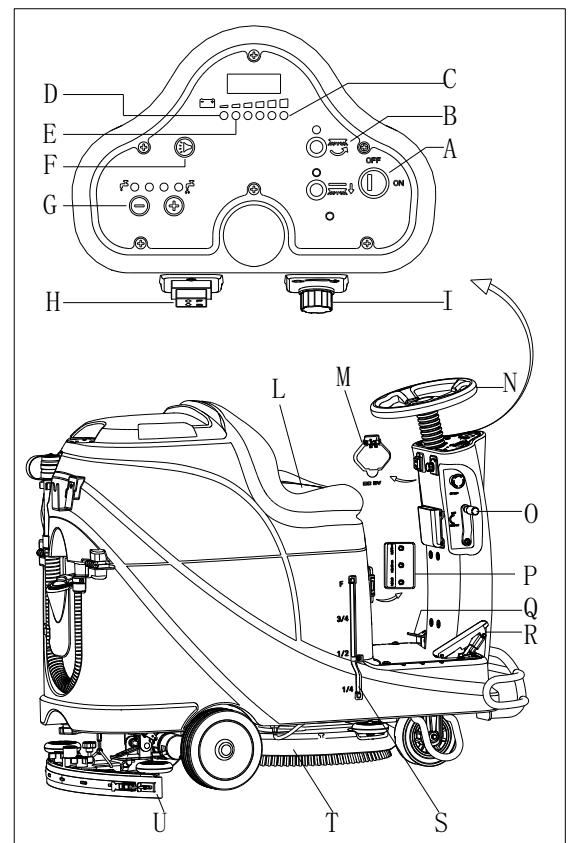
4. Χαμηλώστε το συγκρότημα βούρτσας στο πάτωμα.

ΣΗΜΕΙΩΣΗ



Φροντίστε να απενεργοποιήσετε το κουμπί της βούρτσας πριν ανυψώσετε το συγκρότημα της βούρτσας, και ανασηκώστε το συγκρότημα βούρτσας πριν οδηγήσετε το μηχανήμα προς τα εμπρός ή προς τα πίσω.

5. Πατήστε το κουμπί βούρτσας (B)
6. Πατήστε το πεντάλ επιτάχυνσης (R), λειτουργήστε το μηχανήμα προς τα εμπρός ή προς τα πίσω με το τιμόνι (N) και μαζί με τον διακόπτη εμπρός-πίσω (H). Μπορείτε να ρυθμίσετε την ταχύτητα με το κουμπί προσαρμογής της ταχύτητας (I).
7. Ρυθμίστε τη ροή του διαλύματος με το κουμπί ρύθμισης διαλύματος (G), με βάση τις απαιτήσεις καθαρισμού που υπάρχουν.
8. Μπορείτε να φορτίσετε το τηλέφωνό σας ή το δίσκο μέσω της θύρας φόρτισης USB (M), όταν ο διακόπτης του κλειδιού μίζας (A) βρίσκεται στη θέση «ON».
9. Πατήστε το κουμπί της κόρνας (F) για να προειδοποιείτε τους ανθρώπους όποτε χρειάζεται.
10. Εάν χρειαστεί, πατήστε το κουμπί έκτακτης ανάγκης για να σταματήσει εκτάκτως το μηχανήμα.



Εικόνα 10

ΣΗΜΕΙΩΣΗ



Ο κινητήρας βούρτσας, ο κινητήρας απορρόφησης, το μοτέρ κίνησης και το κύκλωμα ελέγχου προστατεύονται από σύστημα προστασίας από υπερφόρτιση (P). Όταν πέφτει το σύστημα προστασίας από υπερφόρτιση, μην το επαναφέρετε αμέσως χωρίς να ανακαλύψετε την αιτία, και να βεβαιωθείτε ότι το μοτέρ έχει κρυώσει πριν το επαναφέρετε.

Σταμάτημα του μηχανήματος

11. Χαλαρώστε το πεντάλ επιτάχυνσης (R, Εικόνα 10) και το μηχάνημα σταματάει.
12. Πατήστε το κουμπί βούρτσας (B) για να σταματήσετε τον κινητήρα βούρτσας.
13. Ανασηκώστε τη διάταξη βούρτσας (T) πατώντας το πεντάλ (Q).
14. Σηκώστε τη διάταξη του μάκτρου (U) με το μοχλό ανύψωσης/κατεβάσματος του μάκτρου (O), και λίγα δευτερόλεπτα αργότερα θα κλείσει το σύστημα απορρόφησης.
15. Γυρίστε το κλειδί μίζας στη θέση «OFF»
16. Βεβαιωθείτε ότι το μηχάνημα έχει σταματήσει.

ΛΕΙΤΟΥΡΓΙΑ ΜΗΧΑΝΗΜΑΤΟΣ (ΤΡΙΨΙΜΟ ΚΑΙ ΣΤΕΓΝΩΜΑ)

1. Ξεκινήστε το μηχάνημα σύμφωνα με τις διαδικασίες στις προηγούμενες παραγράφους.
2. Ξεκινήστε τον καθαρισμό ακολουθώντας τις διαδικασίες που αναφέρονται στην ενότητα «Εκκίνηση του μηχανήματος».
3. Εάν χρειάζεται, σταματήστε το μηχάνημα για να ρυθμίσετε το μάκτρο σύμφωνα με την ενότητα «Ρύθμιση ισορροπίας του μάκτρου».



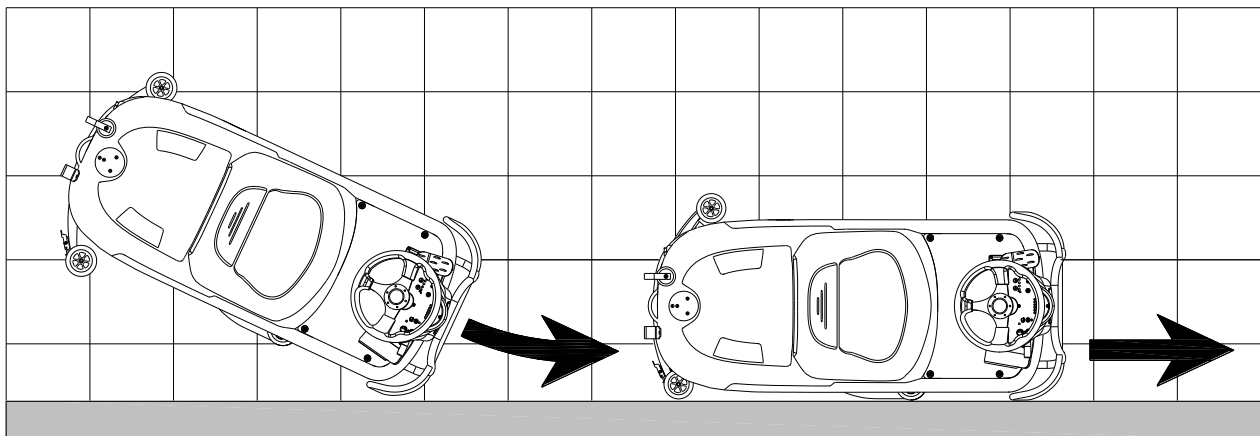
ΠΡΟΣΟΧΗ!

Για να αποφύγετε τυχόν ζημιά στην επιφάνεια του δαπέδου, απενεργοποιήστε το μηχανισμό στήριξης βούρτσας / δίσκου όταν το μηχάνημα σταματάει σε ένα μέρος.



ΣΗΜΕΙΩΣΗ

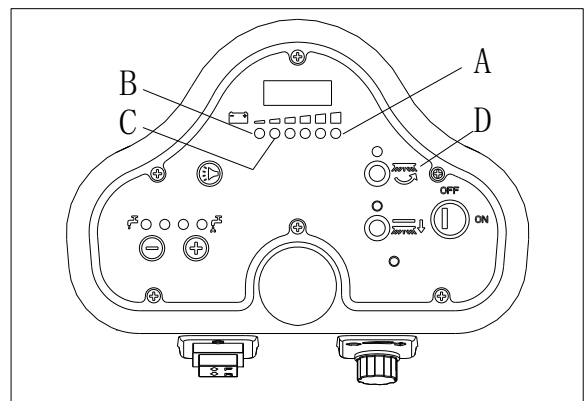
Για σωστό τρίψιμο / στέγνωμα των δαπέδων στις γωνίες των τοίχων, προτείνουμε να πάτε κοντά στον τοίχο με τη δεξιά πλευρά του μηχανήματος (την πλευρά που βρίσκεται ο τροχός προφύλαξης), όπως φαίνεται στην παρακάτω Εικόνα 11.



Εικόνα 11

Φόρτιση της μπαταρίας κατά τη διάρκεια της εργασίας

Όταν είναι αναμμένο το πράσινο φως (A, Εικόνα 12), οι μπαταρίες έχουν αρκετή ενέργεια για να λειτουργεί κανονικά το μηχάνημα. Όταν είναι σβηστά όλα τα πράσινα φώτα και είναι αναμμένο το κίτρινο φως (C, Εικόνα 12), η ενέργεια των μπαταριών είναι πολύ χαμηλή, και οι μπαταρίες χρειάζονται φόρτιση. Όταν αναβοσβήνει το κόκκινο φως (B, Εικόνα 12), οι μπαταρίες έχουν εξαντληθεί, και θα σβήσουν αυτόματα ο κινητήρας απορρόφησης και ο κινητήρας βούρτσας με καθυστέρηση λίγων δευτερολέπτων. Οδηγήστε αμέσως το μηχάνημα στο χώρο φόρτισης μπαταριών.



Εικόνα 12



ΠΡΟΣΟΧΗ!

Για να αποφύγετε την πρόκληση ζημιάς στις μπαταρίες και μείωση του χρόνου λειτουργίας τους, μη χρησιμοποιείτε το μηχάνημα όταν έχουν εξαντληθεί οι μπαταρίες.

ΑΔΕΙΑΣΜΑ ΔΕΞΑΜΕΝΩΝ

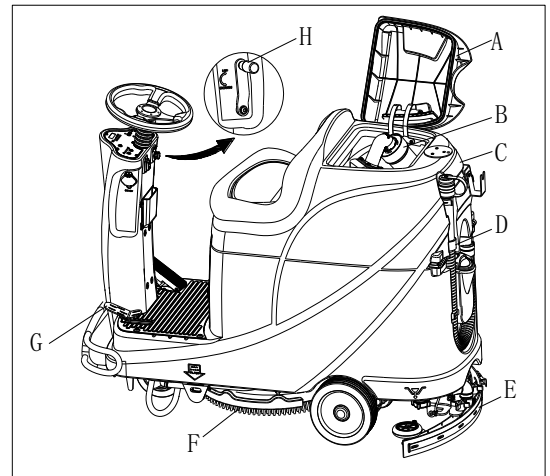
Ο αυτόματος πλωτήρας διακοπής συστήματος (B, Εικόνα 13) φράσσει το απορροφητικό σύστημα όταν γεμίσει ο κάδος ακάθαρτου υγρού (C). Η απενεργοποίηση του απορροφητικού συστήματος σηματοδοτείται από μια ξαφνική αύξηση στη συχνότητα θορύβου του κινητήρα του απορροφητικού συστήματος, και το δάπεδο δεν είναι στεγνό.



ΠΡΟΣΟΧΗ!

Εάν απενεργοποιηθεί κατά λάθος το απορροφητικό σύστημα (για παράδειγμα, όταν ενεργοποιηθεί ο πλωτήρας εξαιτίας μιας απότομης κίνησης του μηχανήματος), για να συνεχίσετε τη λειτουργία: απενεργοποιήστε το απορροφητικό σύστημα πιέζοντας το διακόπτη (D, Εικόνα 12), ανοίξτε το κάλυμμα (A, Εικόνα 11) και ελέγξτε εάν ο πλωτήρας μέσα στο πλέγμα (B) έχει κατέβει στο επίπεδο του νερού. Στη συνέχεια, κλείστε το κάλυμμα (A) και ενεργοποιήστε το απορροφητικό σύστημα πιέζοντας το διακόπτη (D, Εικόνα 12).

Όταν γεμίσει ο κάδος ακάθαρτου υγρού (C, Εικόνα 13), αδειάστε τον ακολουθώντας την παρακάτω διαδικασία.



Εικόνα 13

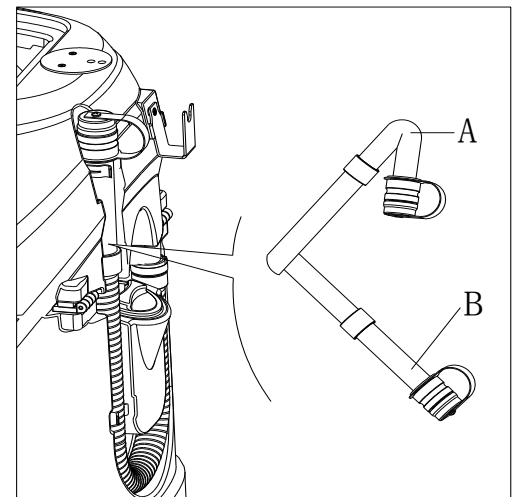
Άδειασμα του κάδου ακάθαρτου υγρού

1. Σταματήστε το μηχανήμα.
2. Σηκώστε την πλατφόρμα της βούρτσας / βάσης δίσκου (H, Εικόνα 12) πατώντας το πεντάλ (G).
3. Σηκώστε το μάκτρο με το μοχλό (H).
4. Μετακινήστε το μηχανήμα στον καθορισμένο χώρο διάθεσης.
5. Αδειάστε τον κάδο ακάθαρτου υγρού με το σωλήνα (D). Στη συνέχεια, ξεπλύνετε το δοχείο με καθαρό νερό.



ΠΡΟΣΟΧΗ!

Κατά την αποστράγγιση των λυμάτων, πρέπει να διπλώσετε το σωλήνα αποστράγγισης (A, Εικόνα 14) και να τον τοποθετήσετε σε χαμηλή θέση (B, Εικόνα 14) πριν ανοίξετε το κάλυμμα του σωλήνα αποστράγγισης. Μη στρέψετε το στόμιο του σωλήνα αποστράγγισης προς τα πάνω για κάθετη αποστράγγιση του νερού, για να μη χυθούν τα απόβλητα πάνω στο χειριστή.



Εικόνα 14

Άδειασμα του κάδου καθαριστικού διαλύματος / καθαρού νερού

6. Εκτελέστε τα βήματα 1 έως 4 στο Κεφάλαιο «Άδειασμα του κάδου ακάθαρτου υγρού».
7. Αδειάστε τον κάδο διαλύματος μέσα από το κάλυμμα εξόδου (A, Εικόνα 15). Και στη συνέχεια ξεπλύνετε το δοχείο με καθαρό νερό.

ΜΕΤΑ ΑΠΟ ΤΗ ΧΡΗΣΗ ΤΟΥ ΜΗΧΑΝΗΜΑΤΟΣ

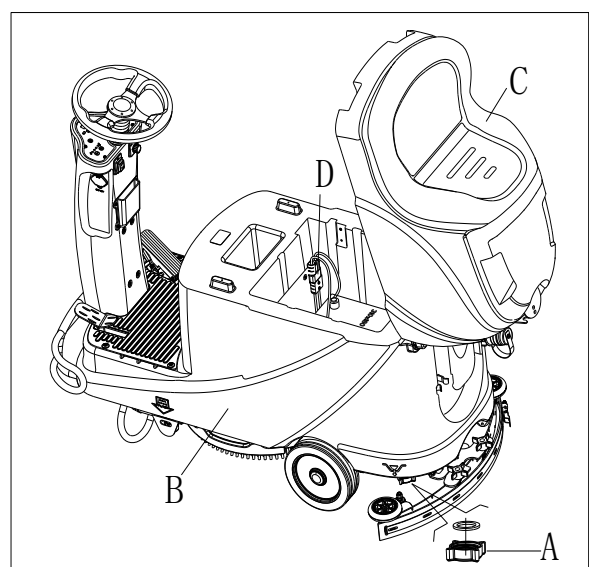
Μετά τη λειτουργία του μηχανήματος, και πριν το αφήσετε:

1. Αφαιρέστε τις βούρτσες / δίσκους.
2. Αδειάστε τους κάδους (B και C, Εικόνα 15), όπως φαίνεται στην προηγούμενη παράγραφο.
3. Εκτελέστε τις καθημερινές διαδικασίες συντήρησης (βλ. κεφάλαιο Συντήρηση).
4. Φυλάξτε το μηχανήμα σε καθαρό και στεγνό μέρος, με τη βούρτσα / βάση δίσκου και το μάκτρο ανασηκωμένα ή βγαλμένα.

ΜΑΚΡΟΧΡΟΝΙΑ ΑΔΡΑΝΕΙΑ ΤΟΥ ΜΗΧΑΝΗΜΑΤΟΣ

Εάν δεν πρόκειται να χρησιμοποιηθεί το μηχανήμα για πάνω από 30 ημέρες, συνεχίστε ως εξής:

1. Εκτελέστε τις διαδικασίες που αναφέρονται στην παράγραφο «ΜΕΤΑ ΑΠΟ ΤΗ ΧΡΗΣΗ ΤΟΥ ΜΗΧΑΝΗΜΑΤΟΣ».
2. Αποσυνδέστε το βύσμα της μπαταρίας (D, Εικόνα 15).



Εικόνα 15

ΧΡΗΣΗ ΓΙΑ ΠΡΩΤΗ ΦΟΡΑ

Μετά από εννέα ώρες χρήσης του μηχανήματος για πρώτη φορά, ελέγξτε εάν υπάρχουν ζημιές ή κάποια ανωμαλία, ή εάν έχουν χαλαρώσει οι στερεώσεις ή τα διάφορα εξαρτήματα.

ΣΥΝΤΗΡΗΣΗ



ΠΡΟΣΟΧΗ!

Οι διαδικασίες συντήρησης πρέπει να εκτελούνται αφού απενεργοποιηθεί το μηχάνημα και αποσυνδεθεί το καλώδιο του φορτιστή μπαταρίας. Επιπλέον, διαβάστε προσεκτικά στο εγχειρίδιο τα κεφάλαια ασφαλείας.

Όλες οι προγραμματισμένες ή έκτακτες διαδικασίες συντήρησης πρέπει να εκτελούνται από εξειδικευμένο προσωπικό, ή από εξουσιοδοτημένο Κέντρο εξυπηρέτησης. Αυτό το εγχειρίδιο περιγράφει μόνο τις γενικές και κοινές διαδικασίες συντήρησης.

Για τις λουπές διαδικασίες συντήρησης οι οποίες δεν περιλαμβάνονται στον παρακάτω πίνακα προγραμματισμένης συντήρησης, ανατρέξτε στο Εγχειρίδιο σέρβις που μπορείτε να το ζητήσετε από οποιοδήποτε Κέντρο εξυπηρέτησης της εταιρείας μας.

ΠΙΝΑΚΑΣ ΠΡΟΓΡΑΜΜΑΤΙΣΜΕΝΗΣ ΣΥΝΤΗΡΗΣΗΣ



ΠΡΟΣΟΧΗ!

Η διαδικασία που είναι σημειωμένη με (1) πρέπει να εκτελείται όταν το μηχάνημα χρησιμοποιείται για πρώτη φορά, μετά από 9 ώρες.

Η διαδικασία που είναι σημειωμένη με (2) πρέπει να γίνεται από Κέντρο εξυπηρέτησης που είναι εξουσιοδοτημένο από την εταιρεία μας.

Διαδικασία	Καθημερινά, μετά από κάθε χρήση	Μία φορά τη βδομάδα	Κάθε έξι μήνες	Μία φορά το χρόνο
Φόρτιση της μπαταρίας				
Καθάρισμα μάκτρου				
Καθάρισμα βούρτσας / βάσης δίσκου				
Καθάρισμα κάδου				
Επιθεώρηση ταινίας σφράγισης κάδου				
Καθάρισμα φίλτρου μπάλας επίπλευσης (φλοτέρ)				
Έλεγχος του πτερυγίου του μάκτρου και αντικατάσταση				
Καθαρισμός του φίλτρου καθαρισμού νερού				
Καθαρισμός του φίλτρου απορρόφησης				
Έλεγχος στάθμης υγρού μπαταρίας WET				
Επιθεώρηση σφιξίματος της βίδας και του παξιμαδιού			(1)	
Έλεγχος ή αντικατάσταση στο καρβουνάκι του μηχανισμού στήριξης βούρτσας / δίσκου				(2)
Έλεγχος ή αντικατάσταση στο καρβουνάκι του μοτέρ απορρόφησης				(2)
Έλεγχος στις ψήκτρες του μοτέρ κίνησης ή αντικατάσταση (μόνο για μηχάνημα με πρόσφυση)				(2)
Προσθέστε λάδι λίπανσης στα περιστρεφόμενα μέρη			(1)	

ΦΟΡΤΙΣΗ ΤΗΣ ΜΠΑΤΑΡΙΑΣ



ΣΗΜΕΙΩΣΗ

Φορτίστε τις μπαταρίες όταν είναι αναμμένο το κίτρινο LED (32) ή το κόκκινο LED (33), ή στο τέλος κάθε κύκλου εργασίας.



ΠΡΟΣΟΧΗ

Να φυλάσσετε την μπαταρία πάντα σε κατάσταση πλήρους φόρτισης. Αυτό παρατείνει τη διάρκεια ζωής της.



ΠΡΟΣΟΧΗ

Φορτίστε την μπαταρία το συντομότερο δυνατόν, εάν η στάθμη της μπαταρίας είναι χαμηλή, διαφορετικά η διάρκεια ζωής της μπαταρίας μπορεί να μειωθεί. Είναι καλύτερα να ελέγχετε την μπαταρία τουλάχιστον μία φορά την εβδομάδα.

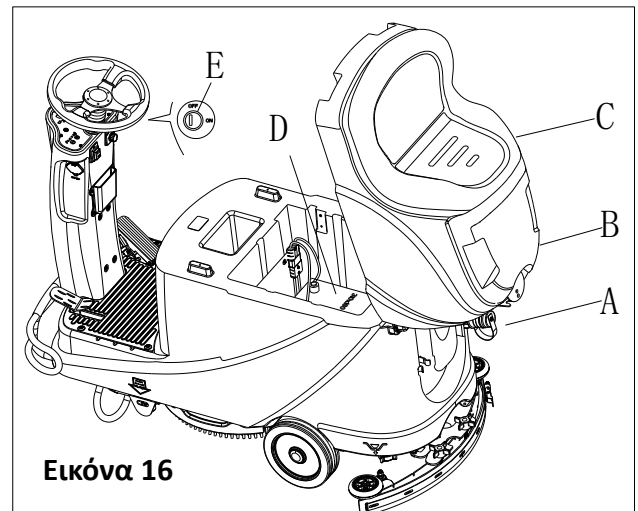
**ΠΡΟΣΟΧΗ!**

Να είστε ιδιαίτερα προσεκτικός όταν φορτίζεται η μπαταρία, γιατί μπορεί να διαρρεύσει οξύ κατά τη διαδικασία της φόρτισης.

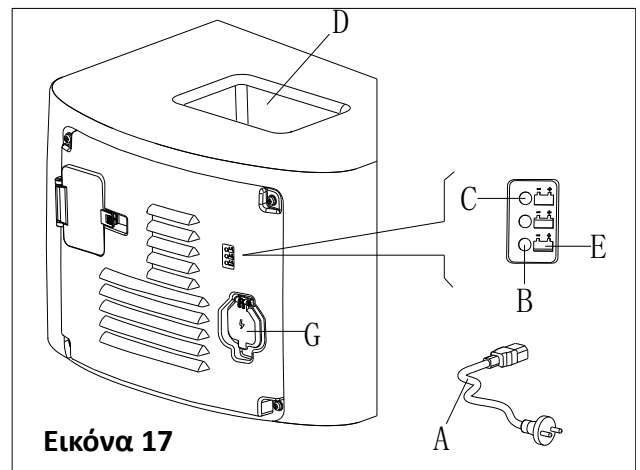
Το οξύ της μπαταρίας είναι διαβρωτικό. Εάν έρθει κατά λάθος σε επαφή με το δέρμα ή τα μάτια, πλύντε τα αμέσως με άφθονο καθαρό νερό και επισκεφτείτε το γιατρό.

Βήματα προετοιμασίας για φόρτιση των μπαταριών

1. Ανοίξτε το κάλυμμα του κάδου ακάθαρτου υγρού (B, Εικόνα 16) για να ελέγξετε εάν είναι κενός ο κάδος ακάθαρτου υγρού (C), ή αδειάστε τον κάδο ακάθαρτου υγρού μέσω του σωλήνα αποχέτευσης (A).
2. Οδηγήστε το μηχάνημα στην καθορισμένη περιοχή φόρτισης.
3. Γυρίστε το κλειδί μίζας στη θέση «OFF»
4. Αυτό το βήμα μόνο για μπαταρίες τύπου WET:
 - Καθαρίστε την επιφάνεια της μπαταρίας, εάν χρειάζεται.
 - Ελέγξτε τη στάθμη ηλεκτρολύτη των μπαταριών (D), εάν χρειάζεται. Ανοίξτε το κάλυμμα για να γεμίσετε καλά με ηλεκτρολύτη, και στη συνέχεια ξανατοποθετήστε το κάλυμμα στη θέση του.
 - Κρατήστε το κάλυμμα ανοιχτό κατά τη διάρκεια της φόρτισης.
5. Επιλέξτε μία από τις παρακάτω βάσεις φόρτισης στον επιλεγμένο τύπο φορτιστή.

**Εικόνα 16****Χρησιμοποιήστε ενσωματωμένο φορτιστή για φόρτιση της μπαταρίας**

6. Συνδέστε το καλώδιο του φορτιστή μπαταριών (A, Εικόνα 17) με το ηλεκτρικό δίκτυο (G), και στη συνέχεια όλες οι λειτουργίες του μηχανήματος διακόπτονται αυτόματα, εκτός από τη φόρτιση.
Το κόκκινο LED (B) που είναι κανονικά αναμμένο δηλώνει ότι το μηχάνημα βρίσκεται σε διαδικασία φόρτισης.
7. Οι μπαταρίες είναι πλήρως φορτισμένες όταν είναι αναμμένη η πράσινη λυχνία LED (C).
8. Αποσυνδέστε το καλώδιο φόρτισης της μπαταρίας από το ηλεκτρικό δίκτυο αφού ολοκληρωθεί η φόρτιση, και στη συνέχεια αποθηκεύστε το καλώδιο του φορτιστή μπαταρίας στο κουτί αποθήκευσης (D).

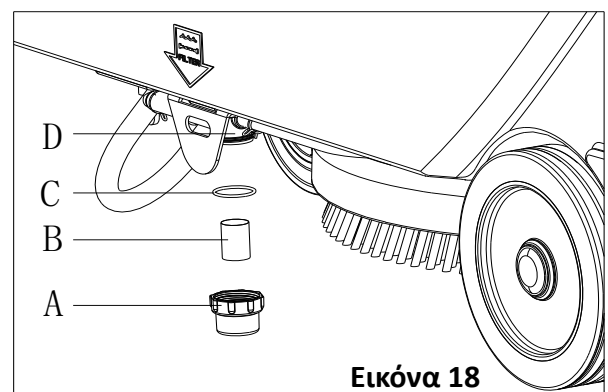
**Εικόνα 17****ΣΗΜΕΙΩΣΗ**

Για περισσότερες πληροφορίες σχετικά με τον ενσωματωμένο φορτιστή (E, Εικόνα 17), ανατρέξτε στο σχετικό εγχειρίδιο από το κέντρο εξυπηρέτησης.

ΚΑΘΑΡΙΣΜΑ ΤΟΥ ΜΗΧΑΝΙΣΜΟΥ ΒΟΥΡΤΣΑΣ / ΒΑΣΗΣ**ΠΡΟΣΟΧΗ!**

Συνιστάται να φοράτε γάντια όταν καθαρίζετε τη βούρτσα ή τη βάση δίσκου, δεδομένου ότι μπορεί να περιέχουν αιχμηρά θραύσματα.

1. Αφαιρέστε τη βούρτσα / βάση δίσκου με βάση τις διαδικασίες από τις προηγούμενες παραγράφους.
2. Καθαρίστε τη βούρτσα / βάση δίσκου χρησιμοποιώντας νερό και απορρυπαντικό.
3. Ελέγξτε την κατάσταση ακεραιότητας και τριβής των ινών της βούρτσας και, εάν χρειάζεται, αντικαταστήστε τη βούρτσα.
4. Ελέγξτε την κατάσταση τριβής του δίσκου στίλβωσης και, εάν χρειάζεται, αντικαταστήστε τον.

**Εικόνα 18**

ΚΑΘΑΡΙΣΜΑ ΤΟΥ ΦΙΛΤΡΟΥ ΔΙΑΛΥΜΑΤΟΣ

1. Μετακινήστε το μηχάνημα σε επίπεδη επιφάνεια.
2. Βεβαιωθείτε ότι το μηχάνημα είναι εκτός λειτουργίας.
3. Αδειάστε τον κάδο διαλύματος (προαιρετικό βήμα).
4. Κατεβάστε το κάλυμμα του φίλτρου διαλύματος (Α, Εικόνα 18) για να καθαρίσετε τη σήτα του φίλτρου (Β), και να τα τοποθετήσετε πάλι στο υποστηρίγματα φίλτρου (D).



ΣΗΜΕΙΩΣΗ

Η σήτα του φίλτρου (Β) πρέπει να τοποθετηθεί σωστά στη θήκη υποστηρίγματος του φίλτρου (D).

ΚΑΘΑΡΙΣΜΟΣ ΤΟΥ ΜΑΚΤΡΟΥ



ΣΗΜΕΙΩΣΗ

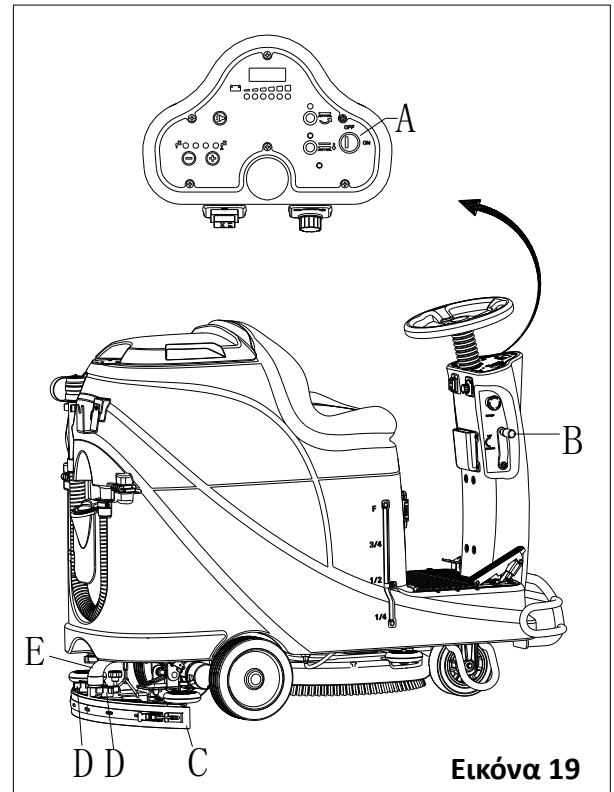
Το μάκτρο πρέπει να είναι καθαρό και τα πτερύγια του πρέπει να βρίσκονται σε καλή κατάσταση, έτσι ώστε να γίνεται καλά το στέγνωμα.



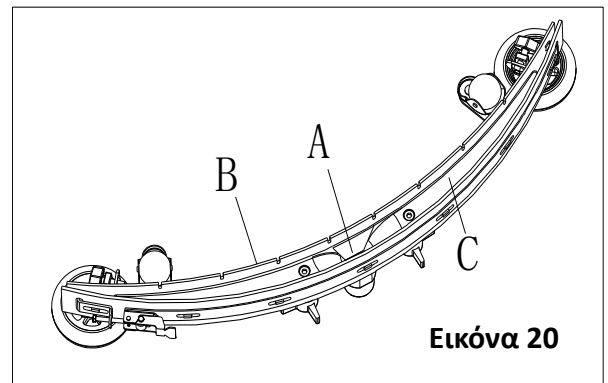
ΠΡΟΣΟΧΗ

Καλό θα είναι να φοράτε προστατευτικά γάντια όταν καθαρίζετε το μάκτρο, επειδή μπορεί να υπάρχουν αιχμηρά σκουπίδια.

1. Οδηγήστε το μηχάνημα σε επίπεδο δάπεδο.
2. Γυρίστε το κλειδί της μίζας (Α, Εικόνα 19) στη θέση «OFF».
3. Χαμηλώστε το μάκτρο (Β) με το μοχλό (C).
4. Ξεσφίξτε τις βίδες (D) και αφαιρέστε το μάκτρο.
5. Αποσυνδέστε το σωλήνα απορρόφησης (Ε) από το μάκτρο.
6. Καθαρίστε το ατσάλινο ή αλουμινένιο μάκτρο, και ιδιαίτερα τα διάφορα διαμερίσματα (Α, Εικόνα 20) και τις οπές (Β). Ελέγξτε το μπροστινό πτερύγιο (Β) και το πίσω πτερύγιο (C) για κοψίματα και σχισίματα. Εάν χρειάζεται, αντικαταστήστε τα σύμφωνα με τις διαδικασίες που αναφέρονται στην επόμενη παράγραφο.
7. Συναρμολογήστε το μάκτρο με σειρά αντίστροφη από την παραπάνω.



Εικόνα 19



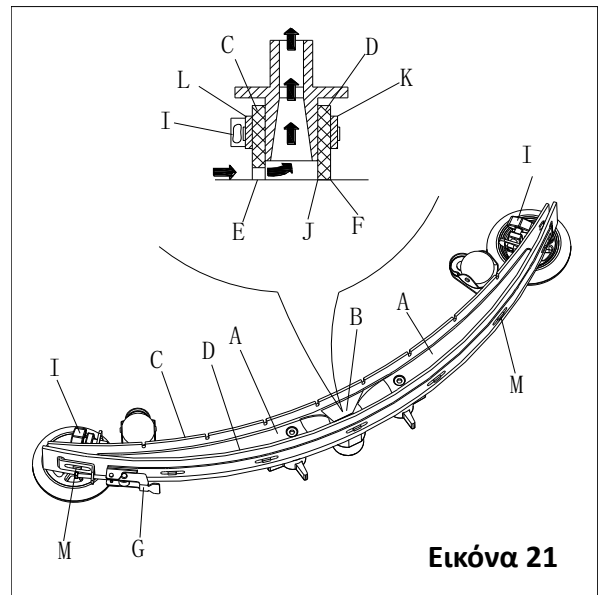
Εικόνα 20

ΕΛΕΓΧΟΣ ΚΑΙ ΑΝΤΙΚΑΤΑΣΤΑΣΗ ΤΩΝ ΠΤΕΡΥΓΙΩΝ ΤΟΥ ΜΑΚΤΡΟΥ

1. Καθαρίστε το ατσάλινο ή αλουμινένιο μάκτρο, όπως φαίνεται στην προηγούμενη παράγραφο.
2. Ελέγξτε εάν οι άκρες (Ε, Εικόνα 21) του μπροστινού πτερυγίου (C) και οι άκρες (F) του πίσω πτερυγίου (D) αγγίζουν το δάπεδο στο ίδιο επίπεδο, σε όλο το μήκος τους· εάν χρειάζεται, ρυθμίστε το ύψος τους, σύμφωνα με την παρακάτω διαδικασία:
 - Αφαιρέστε τη συνδετική μπάρα (G), λύστε τους συνδετήρες (M) και ρυθμίστε το πίσω πτερύγιο (D). Στη συνέχεια ξανατοποθετήστε τους συνδετήρες (M) και εγκαταστήστε τη συνδετική μπάρα (G).
 - Ξεσφίξτε τα κουμπιά (I) και ρυθμίστε το μπροστινό πτερύγιο (C). Στη συνέχεια, σφίξτε τα κουμπιά.
3. Ελέγξτε το μπροστινό πτερύγιο (C) και το πίσω πτερύγιο (D) για φθορές, κοψίματα ή σχισίματα· εάν χρειάζεται, αντικαταστήστε τα ακολουθώντας τη διαδικασία στην παρακάτω παράγραφο. Βεβαιωθείτε ότι δεν έχει φθαρεί η μπροστινή γωνία (I) του πίσω πτερυγίου (D)· εάν χρειάζεται, αναποδογυρίστε το πτερύγιο για να αντικαταστήσετε τη φθαρμένη γωνία με μια καλή. Εάν έχουν φθαρεί υπερβολικά οι άλλες γωνίες, αντικαταστήστε το πτερύγιο σύμφωνα με την παρακάτω διαδικασία:
 - Αφαιρέστε τη συνδετική ράβδο (G), λύστε τους συνδετήρες (M) και αφαιρέστε τη λωρίδα συγκράτησης (K). Στη συνέχεια αντικαταστήστε / αναποδογυρίστε το πίσω πτερύγιο (D). Συναρμολογήστε το πτερύγιο με σειρά αντίθετη από την παραπάνω.
 - Ξεβιδώστε τα κουμπιά (I) και αφαιρέστε τη λωρίδα συγκράτησης (L)· στη συνέχεια, αντικαταστήστε το μπροστινό πτερύγιο (C). Συναρμολογήστε το πτερύγιο με σειρά αντίθετη από την παραπάνω. Αφού αντικαταστήσετε (ή αναποδογυρίσετε) το πτερύγιο, ρυθμίστε το ύψος, όπως φαίνεται στο προηγούμενο βήμα.
4. Συνδέστε το σωλήνα απορρόφησης (Α, Εικόνα 22) με το μάκτρο.
5. Εγκαταστήστε το μάκτρο (Β) και βιδώστε τα κουμπιά (C).
6. Εάν χρειάζεται, ρυθμίστε το κουμπιό ρύθμισης ισορροπίας του μάκτρο (D).

ΚΑΘΑΡΙΣΤΕ ΤΗ ΔΕΞΑΜΕΝΗ ΚΑΙ ΤΗ ΣΧΑΡΑ ΔΕΞΑΜΕΝΗΣ ΜΕ ΤΟ ΦΛΟΤΕΡ ΚΑΙ ΕΛΕΓΤΕ ΤΗ ΦΛΑΝΤΖΑ ΤΟΥ ΚΑΛΥΜΜΑΤΟΣ

1. Οδηγήστε το μηχάνημα σε επίπεδο δάπεδο.
2. Βεβαιωθείτε ότι το μηχάνημα είναι εκτός λειτουργίας και ότι έχει αφαιρεθεί το κλειδί της μίζας (40).
3. Περιστρέψτε το καπάκι του κάδου ακάθартου υγρού (A, Εικόνα 23) κατά 90 μοίρες, σε σημείο όπου να μπορεί να αφαιρεθεί από τον κάδο, και στη συνέχεια αφαιρέστε το φίλτρο μπάλας επίπλευσης (P) από τον κάδο.
4. Καθαρίστε το καπάκι του κάδου ακάθартου υγρού (A), τον κάδο ακάθартου υγρού (B), τον κάδο καθαρού νερού (C) και το πλαίσιο στήριξης του φίλτρου μπάλας επίπλευσης (E). Αδειάστε τον κάδο ακάθартου υγρού με το σωλήνα αποστράγγισης (15).
5. Εάν χρειάζεται, ακολουθήστε τα σύμβολα «OPEN» (ανοιχτό) και «CLOSE» (κλειστό), όπως φαίνεται στην Εικόνα 23 για να ανοίξετε το κάτω καπάκι (F) του φίλτρου μπάλας επίπλευσης και, στη συνέχεια καθαρίστε τη μπάλα επίπλευσης (D), το πλαίσιο στήριξης του φίλτρου (E) και το σφουγγάρι του φίλτρου (I). Μετά τον καθαρισμό, προσαρτήστε τη μπάλα επίπλευσης (D) στο πλαίσιο στήριξης του φίλτρου (E) και, στη συνέχεια, ευθυγραμμίστε την εγκοπή (L) του κάτω καλύμματος (F) του φίλτρου μπάλας επίπλευσης με την εγκοπή (L) του πλαισίου στήριξης του φίλτρου μπάλας επίπλευσης (E). Βιδώστε σφιχτά το κάτω καπάκι του φίλτρου μπάλας επίπλευσης, και στερεώστε το σφουγγάρι του φίλτρου (I) στο πλαίσιο στήριξης του φίλτρου φλοτέρ (E). Τέλος, συνδέστε το με το σωλήνα απορρόφησης λυμάτων (M).
6. Επιθεωρήστε τη λωρίδα σφράγισης του κάδου εάν είναι ακέραια.



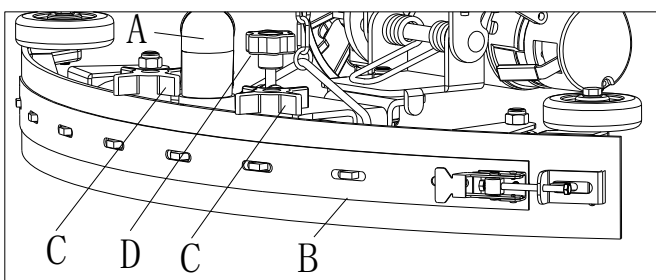
Εικόνα 21



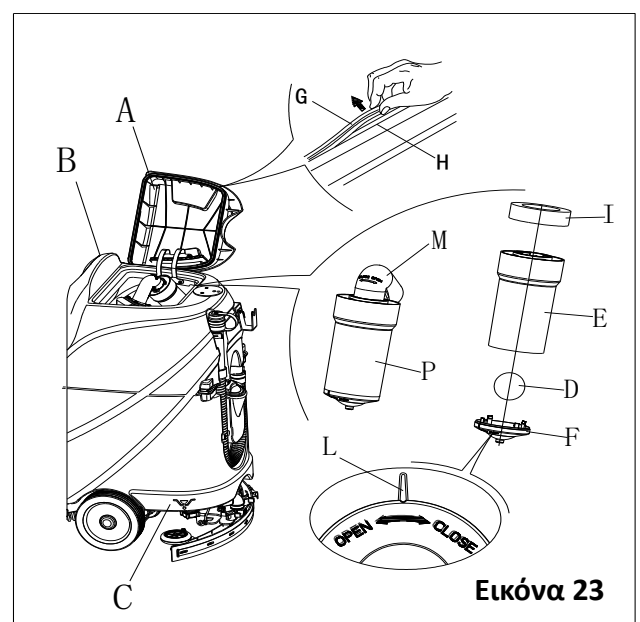
ΣΗΜΕΙΩΣΗ

Η λωρίδα σφράγισης του κάδου (G) δημιουργεί κενό μέσα στον κάδο, όταν λειτουργεί το μοτέρ απορρόφησης. Ο κάδος πρέπει να είναι σφραγισμένος για να μπορεί να απορροφά αποτελεσματικά το νερό από το έδαφος στον κάδο ακάθартου υγρού.

7. Ελέγξτε εάν είναι ακέραια η επιφάνεια επαφής της λωρίδας σφράγισης (G) και εάν είναι επαρκής η σφράγιση. Εάν χρειάζεται, βγάλτε τη λωρίδα σφράγισης του κάδου από την εγκοπή (H) και αντικαταστήστε την. Συναρμολογήστε τη νέα λωρίδα σφράγισης όπως φαίνεται στην Εικόνα 23. Η ένωση θα πρέπει να βρίσκεται πίσω, στο μέσο.
8. Κλείστε το καπάκι του δοχείου ανάκτησης (A).



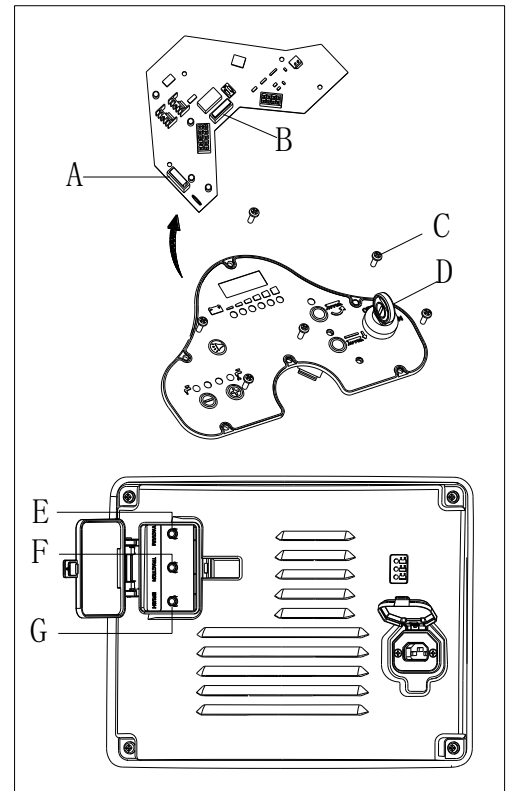
Εικόνα 22



Εικόνα 23

ΕΛΕΓΧΟΣ ΑΣΦΑΛΕΙΑΣ / ΑΝΤΙΚΑΤΑΣΤΑΣΗ

1. Γυρίστε το κλειδί της μίζας (D, Εικόνα 24) στη θέση «OFF».
2. Αποσυνδέστε το καλώδιο σύνδεσης της μπαταρίας.
3. Ξεβιδώστε τις βίδες (C) στον πίνακα ελέγχου. Στη συνέχεια, γυρίστε την πλακέτα τυπωμένων κυκλωμάτων ανάποδα, για να βρείτε την ασφάλεια (A και B).
4. Ελέγξτε / αντικαταστήστε τις ασφάλειες:
 - A) Το F1 είναι η ασφάλεια κυκλώματος χαμηλής ισχύος (5A)
 - B) Το F3 είναι ασφάλεια αποσύνδεσης της βούρτσας (20A)
5. Αφού γίνει έλεγχος / αντικατάσταση, συναρμολογήστε ξανά με σειρά αντίστροφη της αποσυναρμολόγησης.
6. Ελέγξτε ή επαναφέρετε το σύστημα προστασίας του κινητήρα από υπερφόρτιση.
 - E) Το F5 είναι το σύστημα προστασίας του κινητήρα από υπερφόρτιση (30A)
 - F) Το F4 είναι το σύστημα προστασίας του μοτέρ κίνησης από υπερφόρτιση (30A)
 - G) Το F2 είναι το σύστημα προστασίας του κινητήρα βούρτσας από υπερφόρτιση (30A)



Εικόνα 24

ΑΞΕΣΟΥΑΡ / ΕΠΙΛΟΓΕΣ

Εκτός από τα τυπικά στοιχεία, το μηχάνημα μπορεί να εξοπλιστεί με τα ακόλουθα αξεσουάρ / επιλογές, ανάλογα με τη συγκεκριμένη χρήση του μηχανήματος.

Για περισσότερες πληροφορίες σχετικά με τα προαναφερθέντα προαιρετικά αξεσουάρ, επικοινωνήστε με έναν εξουσιοδοτημένο διανομέα.

Αξεσουάρ / Επιλογές

Ανατρέξτε στην ενότητα «Κατάλογος ανταλλακτικών»

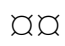
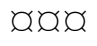
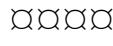
1. Μπαταρίες GEL/AGM
2. Βάσεις από διαφορετικά υλικά

ΑΝΤΙΜΕΤΩΠΙΣΗ ΠΡΟΒΛΗΜΑΤΩΝ

Πρόβλημα	Πιθανή αιτία	Λύση
Οι κινητήρες δεν λειτουργούν. Η λυχνία δεν ανάβει (C9)	Το βύσμα της μπαταρίας έχει αποσυνδεθεί.	Συνδέστε το βύσμα της μπαταρίας
	Οι μπαταρίες έχουν αποφορτιστεί εντελώς	Φορτίστε τις μπαταρίες
Το μηχάνημα δεν λειτουργεί. Έχει ανάψει η κόκκινη προειδοποιητική λυχνία χαμηλής στάθμης μπαταρίας (C8)	Η στάθμη των μπαταριών είναι πολύ χαμηλή	Φορτίστε τις μπαταρίες
	Σφάλμα στην πλακέτα κυκλώματος ελέγχου	Αντικαταστήστε την πλακέτα κυκλώματος ελέγχου
	Σφάλμα στον ελεγκτή του μοτέρ κίνησης	Ανατρέξτε στην ενότητα «ΠΛΗΡΟΦΟΡΙΕΣ ΓΙΑ ΕΝΔΕΙΞΗ ΣΦΑΛΜΑΤΟΣ ΤΟΥ ΜΟΤΕΡ ΚΙΝΗΣΗΣ»
	Ο χειριστής δεν βρίσκεται πάνω στο κάθισμα	Καθίστε στο κάθισμα
Το μηχάνημα δεν πάει εμπρός / πίσω	Το μάκτρο δεν έχει ανασηκωθεί όταν το μηχάνημα κινείται προς τα πίσω	Ανασηκώστε το μάκτρο
	Σφάλμα στην πλακέτα κυκλώματος ελέγχου	Αντικαταστήστε την πλακέτα κυκλώματος ελέγχου
	Υπερφόρτωση κινητήρα βούρτσας	Χρησιμοποιήστε μαλακή βούρτσα που να είναι κατάλληλη για τον καθαρισμό, και επαναφέρετε το σύστημα προστασίας του κινητήρα βούρτσας από υπερφόρτιση
Ο κινητήρας βούρτσας δεν λειτουργεί	Σφάλμα στον διακόπτη του κινητήρα βούρτσας	Επικοινωνία εξυπηρέτησης μετά την πώληση

	Φθορά στα καρβουνάκια του κινητήρα βούρτσας	Επικοινωνία εξυπηρέτησης μετά την πώληση
	Υπάρχουν εμπόδια που δεν επιτρέπουν την περιστροφή της βούρτσας	Καθαρίστε τη βούρτσα
Το μοτέρ κίνησης δεν λειτουργεί	Ανάβει η λυχνία ένδειξης προβλήματος του μοτέρ κίνησης	Ανατρέξτε στην ενότητα «ΠΛΗΡΟΦΟΡΙΕΣ ΓΙΑ ΕΝΔΕΙΞΗ ΣΦΑΛΜΑΤΟΣ ΤΟΥ ΜΟΤΕΡ ΚΙΝΗΣΗΣ»
	Υπερφόρτιση του μοτέρ κίνησης	Κάντε επαναφορά συστήματος προστασίας κινητήρα από υπερφόρτιση, και ελέγξτε το μοτέρ / κύκλωμα κίνησης
Ο κινητήρας απορρόφησης δεν λειτουργεί	Υπερφόρτιση του κινητήρα απορρόφησης	Κάντε επαναφορά συστήματος προστασίας κινητήρα από υπερφόρτιση, και ελέγξτε τον κινητήρα απορρόφησης
	Σφάλμα στο ρελέ του κινητήρα απορρόφησης	Επικοινωνία εξυπηρέτησης μετά την πώληση
	Σφάλμα στον πίνακα ελέγχου	Αντικαταστήστε τον πίνακα ελέγχου
Ανεπαρκής απορρόφηση, δεν μπορεί να στεγνώσει το πάτωμα	Ο κάδος ακάθαρτου υγρού έχει γεμίσει	Αδειάστε τον κάδο ακάθαρτου υγρού
	Κακή σύνδεση του σωλήνα αποστράγγισης και του μάκτρο	Συνδέστε σωστά το σωλήνα αποστράγγισης και το μάκτρο
	Έχει φράξει το φίλτρο μπάλας επίπλευσης	Καθαρίστε το φίλτρο μπάλας επίπλευσης και ελέγξτε τη θέση της μπάλας επίπλευσης
	Το μάκτρο έχει βρωμίσει ή φθαρεί	Ελέγξτε και καθαρίστε το μάκτρο
	Το κάλυμμα του κάδου ακάθαρτου υγρού δεν έχει κλείσει σωστά, ή έχει υποστεί ζημιά ή φλάντζα, ή έχει φράξει ο κυρτός σωλήνας	Κλείστε το κάλυμμα σωστά, ή αντικαταστήστε το στεγανοποιητικό λάστιχο ή καθαρίστε τον κυρτό σωλήνα.
	Ο κάδος ακάθαρτου υγρού είναι βρώμικος	Καθαρίστε τον κάδο ακάθαρτου υγρού
Ανεπαρκής ποσότητα καθαριστικού διαλύματος στην πλάκα της βούρτσας	Το φίλτρο διαλύματος είναι βρώμικο	Καθαρίστε το φίλτρο
	Έχει ανάψει η ενδεικτική λυχνία ότι ο κάδος καθαριστικού διαλύματος είναι άδεια	Γεμίστε τον κάδο διαλύματος
	Ο κάδος καθαριστικού διαλύματος είναι πολύ βρώμικος	Καθαρίστε τον κάδο διαλύματος
Το μάκτρο αφήνει σημάδια στο πάτωμα.	Υπάρχουν σκουπίδια κάτω από τα πτερύγια του μάκτρο	Αφαιρέστε τα σκουπίδια
	Έχουν φθαρεί, ραγίσει ή πολυκαιρίσει τα πτερύγια του μάκτρο	Αντικαταστήστε τα πτερύγια του μάκτρο
	Δεν έχει ρυθμιστεί η ισορροπία του μάκτρο	Προσαρμόστε την ισορροπία του μάκτρο
Βλάβη του φρένου του μοτέρ κίνησης	Το φρένο είναι κλειδωμένο	Απελευθερώστε το φρένο

ΠΛΗΡΟΦΟΡΙΕΣ ΓΙΑ ΕΝΔΕΙΞΗ ΣΦΑΛΜΑΤΟΣ ΤΟΥ ΜΟΤΕΡ ΚΙΝΗΣΗΣ

ΚΩΔΙΚΟΙ LED	ΣΦΑΛΜΑ	ΠΙΘΑΝΗ ΑΙΤΙΑ
1.1 	ΣΦΑΛΜΑ ΣΤΗ ΘΕΡΜΟΚΡΑΣΙΑ	1. Θερμοκρασία >80°C ή <-10°C. 2. Υπερβολικό φορτίο στο όχημα. 3. Λειτουργία σε ακραία περιβάλλοντα. 4. Το ηλεκτρομαγνητικό φρένο δεν απελευθερώνεται.
1.2 	ΣΦΑΛΜΑ ΣΤΟ ΓΚΑΖΙ	1. Το καλώδιο εισόδου του γκαζιού ή είναι ανοικτό ή βραχυκυκλωμένο. 2. Το ποτενσιόμετρο γκαζιού είναι ελαττωματικό. 3. Έχει επιλεγεί λάθος τύπος γκαζιού.
1.3 	ΣΦΑΛΜΑ ΠΟΤΕΝΣΙΟΜΕΤΡΟΥ ΤΑΧΥΤΗΤΑΣ	1. Το καλώδιο(α) ποτενσιόμετρου του ορίου ταχύτητας έχουν σπάσει ή βραχυκυκλώσει. 2. Έχει σπάσει το ποτενσιόμετρο του ορίου ταχύτητας.

1.4	□□□□□	ΣΦΑΛΜΑ ΧΑΜΗΛΗΣ ΤΑΣΗΣ	1. Τάση μπαταρίας <17 βολτ. 2. Κακή σύνδεση με την μπαταρία ή τον ελεγκτή.
1.5	□□□□□□	ΣΦΑΛΜΑ ΥΨΗΛΗΣ ΤΑΣΗΣ	1. Τάση μπαταρίας >31 βολτ. 2. Το όχημα λειτουργεί με το φορτιστή πάνω του. 3. Διακοπτόμενη σύνδεση μπαταρίας.
2.1	□□□	ΣΦΑΛΜΑ ΣΕ ΚΛΕΙΣΤΟ ΗΛΕΚΤΡΙΚΟ ΔΙΚΤΥΟ	1. Βλάβη στον διακόπτη ηλεκτρικού, είναι ανοιχτός.
2.3	□□□□□	ΣΦΑΛΜΑ ΣΤΟΝ ΗΛΕΚΤΡΙΣΜΟ *	1. Ο διακόπτης ηλεκτρικού είτε έχει συγκολληθεί ή έχει κολλήσει και μείνει ανοιχτός. 2. Σφάλμα στον διακόπτη ηλεκτρικού.
2.4	□□□□□□	ΣΦΑΛΜΑ ΣΕ ΑΝΟΙΧΤΟ ΗΛΕΚΤΡΙΚΟ ΔΙΚΤΥΟ	1. Βλάβη στον διακόπτη ηλεκτρικού, είναι ανοιχτός.
3.1	□□□□	ΣΦΑΛΜΑ ΣΤΗΝ ΚΑΛΩΔΙΩΣΗ *	1. Σφάλμα στο γκάζι. 2. Βλάβη στο ποτενσιόμετρο γκαζιού ή στον μηχανισμό του γκαζιού.
3.2	□□□□□	ΣΦΑΛΜΑ ΣΤΟ ΕΝΕΡΓΟΠΟΙΗΜΕΝΟ ΦΡΕΝΟ	1. Έγινε βραχυκύκλωμα στον ηλεκτρομαγνητικό οδηγό φρένου. 2. Το ηλεκτρομαγνητικό πηνίο φρένου είναι ανοιχτό.
3.3	□□□□□□	ΣΦΑΛΜΑ ΠΡΟΦΟΡΤΙΣΕΩΣ *	1. Έγινε βραχυκύκλωμα στον οδηγό φρένων. 2. Έπαθε βλάβη το κύκλωμα προφορτίσεως. 3. Βλάβη του τρανζίστορ ισχύος φαινομένου πεδίου από ημιαγωγό μεταλλικού οξειδίου.
3.4	□□□□□□□	ΣΦΑΛΜΑ ΣΤΟ ΑΠΕΝΕΡΓΟΠΟΙΗΜΕΝΟ ΦΡΕΝΟ	1. Ο ηλεκτρομαγνητικός οδηγός φρένου είναι ανοιχτός. 2. Το ηλεκτρομαγνητικό πηνίο φρένου βραχυκύκλωσε.
3.5	□□□□□□□□	ΣΦΑΛΜΑ ΣΤΗΝ ΑΠΕΝΕΡΓΟΠΟΙΗΣΗ ΠΕΝΤΑΛ ΣΕ ΠΕΡΙΠΤΩΣΗ ΥΠΑΡΞΗΣ ΤΑΧΥΤΗΤΑΣ	1. Ακατάλληλη ακολουθία γκαζιού και κιλών-λιβρών ανά τετραγωνική ίντσα, ώθηση, ή εμποδίζονται οι ταχύτητες. 2. Σφάλμα στο ποτενσιόμετρο γκαζιού.
4.1	□□□□□	ΣΦΑΛΜΑ ΣΤΑΘΕΡΟΠΟΙΗΣΗΣ ΡΕΥΜΑΤΟΣ *	1. Βραχυκύκλωμα στον κινητήρα ή στην καλωδίωση του κινητήρα. 2. Αποτυχία ελεγκτή.
4.2	□□□□□□	ΑΝΤΙΣΦΑΛΜΑΤΙΚΟ ΥΛΙΣΜΙΚΟ *	1. Η τάση κινητήρα δεν ανταποκρίνεται στις απαιτήσεις του γκαζιού. 2. Βραχυκύκλωμα στον κινητήρα ή στην καλωδίωση του κινητήρα. 3. Αποτυχία ελεγκτή.
4.3	□□□□□□□	ΣΦΑΛΜΑ ΑΘΡΟΙΣΜΑΤΟΣ ΕΛΕΓΧΟΥ ΤΗΣ EEPROM †	1. Βλάβη ή σφάλμα της EEPROM.
4.5	□□□□□□□□□	ΣΦΑΛΜΑ ΑΠΟΣΥΝΔΕΣΗΣ ΜΠΑΤΑΡΙΑΣ *	1. Η μπαταρία δεν είναι συνδεδεμένη. 2. Κακή σύνδεση με τους ακροδέκτες της μπαταρίας.

* = Πρέπει να γυρίσετε το κλειδί μίζας έναν κύκλο για να γίνει απαλοιφή.

† = Πρέπει να χρησιμοποιήσετε προγραμματιστή για απαλοιφή, ως εξής: Επιλέξτε το μενού προγράμματος, μεταβολή της αξίας δεδομένων οποιασδήποτε παραμέτρου, και πρέπει να γυρίσετε το κλειδί μίζας έναν κύκλο.



ΣΗΜΕΙΩΣΗ

Το μηχάνημα το οποίο είναι εξοπλισμένο με ενσωματωμένο φορτιστή δεν θα λειτουργεί όταν δυσλειτουργεί ο ενσωματωμένος φορτιστής. Επικοινωνήστε με το εξουσιοδοτημένο μας κέντρο συντήρησης για βοήθεια.

ΑΠΟΣΥΡΣΗ

Το μηχάνημα μπορεί να αποσυρθεί από κάποια εταιρεία ειδικευμένη στην επεξεργασία λυμάτων.

Πριν αποσυναρμολογήσετε το μηχάνημα, πρέπει να απομακρύνετε πρώτα και να απομονώσετε τις παρακάτω μονάδες οι οποίες, με βάση τους σχετικούς νόμους και κανονισμούς, πρέπει να απορριφθούν με κατάλληλο τρόπο.

- Μπαταρία
- Μηχανισμός στήριξης βούρτσας / δίσκου
- Πλαστικός σωλήνας και πλαστικά εξαρτήματα
- Ηλεκτρικά και ηλεκτρονικά εξαρτήματα (*)

(*) Επικοινωνήστε με το Κέντρο εξυπηρέτησης της εταιρείας μας σχετικά με την καταστροφή ηλεκτρικών και ηλεκτρονικών εξαρτημάτων.

KAZALO VSEBINE

NAVODILA.....	265
VSEBINA PRIROČNIKA IN NJEGOV NAMEN	265
KAKO HRANITI TA PRIROČNIK	265
IZJAVA O SKLADNOSTI	265
DODATKI IN VZDRŽEVANJE	265
SPREMEMBA IN IZBOLJŠANJE	265
OBSEG UPORABE	265
IDENTIFIKACIJSKI PODATKI NAPRAVE	265
TRANSPORT IN RAZPAKIRANJE	265
VARNOST	266
SIMBOLI, KI SE POJAVLJAJO NA NAVODILIH ZA UPORABO TEGA PRIROČNIKA	266
SPLOŠNA VARNOSTNA NAVODILA	266
OPIS NAPRAVE	268
STRUKTURA NAPRAVE	268
NADZORNA PLOŠČA	269
PRIKAZNE INFORMACIJE LED ZASLONA	269
EKRAN ZA PRIKAZOVANJE STANJA POLNJENA	269
TEHNIČNI PARAMETRI	270
DIAGRAM VEZJA	271
VODIČ PRI ROKOVANJU.	273
NAMESTITEV IN NASTAVITEV NOVE BATERIJE NAPRAVE	273
NAMESTITEV AKUMULATORJA IN NASTAVITEV TIPA AKUMULATORJA (MOKER ALI GEL/AGM)	273
ZAVIRANJE V SILI	275
NAMESTITEV IN ODSTRANITEV ŠČETKE/BLAZINICE	275
PRILAGAJANJE RAVNOTEŽJA BRISALCA	276
POLNJENJE REZERVOARJA Z RAZTOPINO.....	276
ZAGON IN USTAVITEV NAPRAVE	277
ROKOVANJE Z NAPRAVO (ČIŠČENJE IN SUŠENJE)	278
PRAZNJENJE POSODE.....	279
PO UPORABI NAPRAVE	279
DOLGOTRAJNA NEAKTIVNOST NAPRAVE	279
PRVA UPORABA	280
VZDRŽEVANJE	280
TABELA NAČRTOVANIH VZDRŽEVALNIH DEL	280
POLNJENJE BATERIJE.....	280
ČIŠČENJE ŠČETKE/BLAZINICE	281
ČIŠČENJA FILTRA RAZTOPINE	282
ČIŠČENJE STRGALA	282
PREVERBA REZILA STRGALA IN NJEGOVA ZAMENJAVA.....	282
TANK AND VACUUM GRID WITH FLOAT CLEANING, AND COVER GASKET CHECK	283
PREGLED/ZAMENJAVA VAROVALKE	284
DODATKI/MOŽNOSTI	284
ODPRAVLJANJE TEŽAV.....	284
ODSTRANITEV	286

NAVODILA



OPOMBA

Številke v oklepajih se nanašajo na komponente, prikazane v poglavju Opis naprave.

VSEBINA PRIROČNIKA IN NJEGOV NAMEN

Namen tega Priročnika za uporabo je zagotoviti vse potrebne informacije operaterju, za pravilno in varno uporabo. Vsebuje informacije o tehničnih podatkih, varnosti, rokovanju, shrambi, vzdrževanju, rezervnih delih in kako ga zavreči. Preden se lotite katerega koli postopka na napravi, je potrebno, da operaterji in usposobljeni tehniki pozorno preberejo ta priročnik. Kontaktirajte center za podporo uporabnikom, v primeru kakršnih koli vprašanj v zvezi s tem priročnikom, ali če potrebujete nadaljnje informacije.

Operaterji ne smejo izvajati procedur, katere lahko izvedejo samo usposobljeni tehniki. Naše podjetje ne bo odgovorno za škodo, ki bi nastala zaradi neupoštevanja te prepovedi.

KAKO HRANITI TA PRIROČNIK

Priročnik je potrebno hraniti v bližini naprave, v primernem etuiju, vstran od tekočin in ostalih substanc, ki bi lahko povzročile njegovo poškodovanje.

IZJAVA O SKLADNOSTI

Izjava o skladnosti je dobavljena z napravo in dokazuje skladnost naprave z veljavnim zakonom.



OPOMBA

Kopije originalne izjave o skladnosti se nahajajo v sklopu dokumentacije naprave.

DODATKI IN VZDRŽEVANJE

Vse procedure, ki so povezane z rokovanjem, vzdrževanjem in popravili, mora opraviti usposobljeno osebje, ali imenovani servisni center našega podjetja. SAMO pooblaščen rezervni deli in dodatki so lahko uporabljeni.

Kontaktirajte pomoč uporabnikom našega podjetja, če želite pridobiti informacije o servisu, kupiti rezervne dele ali dodatke.

SPREMEMBA IN IZBOLJŠANJE

Zavzemamo se za stalno izboljševanje svojih izdelkov, družba si pridržuje pravico do sprememb, strojnih in izboljšav brez dodatnega obveščanja.

OBSEG UPORABE

Ta brisalnik se lahko uporablja v komercialne in industrijske namene. Primeren je za čiščenje gladkih in trdnih tal, z njim pa lahko rokuje samo usposobljeno osebje v varnih razmerah. Ni primeren za zunanjo uporabo, za tepihe ali čiščenje grobih tal.

IDENTIFIKACIJSKI PODATKI NAPRAVE

Serijska številka in naziv modela naprave sta označena na serijski oznaki.

Ta podatek je uporaben. V spodnjo tabelo zapišite identifikacijske podatke naprave, ko boste potrebovali rezervne dele naprave.

MODEL NAPRAVE.....
SERIJSKA ŠTEVILKA NAPRAVE.....

TRANSPORT IN RAZPAKIRANJE

Ko dostavna služba dostavi napravo, preverite, da sta embalaža in naprava cela in nepoškodovana. Če najdete poškodbo, povejte to dostavljavcu še preden prevzamete paket in si pridržite pravico za kompenzациjo škode.

Dosledno sledite navodilom na embalaži, ko boste odpakirali napravo.

Preverite embalažo in se prepričajte, da so vključeni naslednji elementi:

1. Tehnična dokumentacija, vključno z uporabniškimi navodili in navodili za vključen polnilec, če je ta prisoten.
2. Polnilni kabel, če je prišten vključen polnilec.

VARNOST

Naslednji simboli opozarjajo na potencialno nevarne situacije. Te informacije preberite pozorno in upoštevajte potrebne varnostne ukrepe za zaščito ljudi in imetja.

SIMBOLI, KI SE POJAVLJAJO NA NAVODILIH ZA UPORABO TEGA PRIROČNIKA



NEVARNOST!

Opozarja na nevarno situacijo s smrtnim tveganjem operaterja.



OPOZORILO!

Opozarja na pogojno tveganje poškodb ljudi.



PREVIDNOST!

Opozarja na previdnost ali pozornost na pomembne ali uporabne funkcije. Bodite pozorni na odstavke, ki so označeni s tem simbolom.



OPOMBA

Opozarja na previdnost ali pozornost na pomembne ali uporabne funkcije.



POSVETOVANJE

Kaže na potrebo po posvetovanju z navodili za uporabo, preden izvedete katero koli proceduro.

SPLOŠNA VARNOSTNA NAVODILA

Spodaj so prikazana posebna opozorila in previdnosti za obveščanje o morebitnih poškodbah ljudi in naprav.



NEVARNOST!

- To napravo mora upravljati samo usposobljeno in pooblašeno osebje, glede na vodila v tem priročniku.
- Pred čiščenjem, vzdrževanjem, popravilom in zamenjavami, previdno preberite ta navodila, ugasnite napravo in izključite baterijski priključek.
- Ne uporabljajte naprave v bližini strupenih, nevarnih, vnetljivih in/ali eksplozivnih praškov, tekočin ali hlapov. Ta naprava ni primeren za sesanje nevarnih vrst prahu.
- Ob bližnjem srečanju z električnimi komponentami stroja, ne nosite nakita.
- Ne delajte pod dvignjeno napravo, ne da bi uporabili varnostna stojala.
- Ob uporabi svinčenih (mokrih) baterij, le-te ob normalni uporabi oddajajo vnetljiv plin, zato ne približujte vse iskrenje, plamene, dimne materiale in sevanje, osvetljevalne in vnetljive predmete.
- Ob polnjenju svinčenih (mokrih) baterij, le-te lahko oddajajo vodikov plin, ki lahko povzroči eksplozijo. Poskrbite, da je polnilna okolica dobro prezračena in da v njej ni golih plamenov.



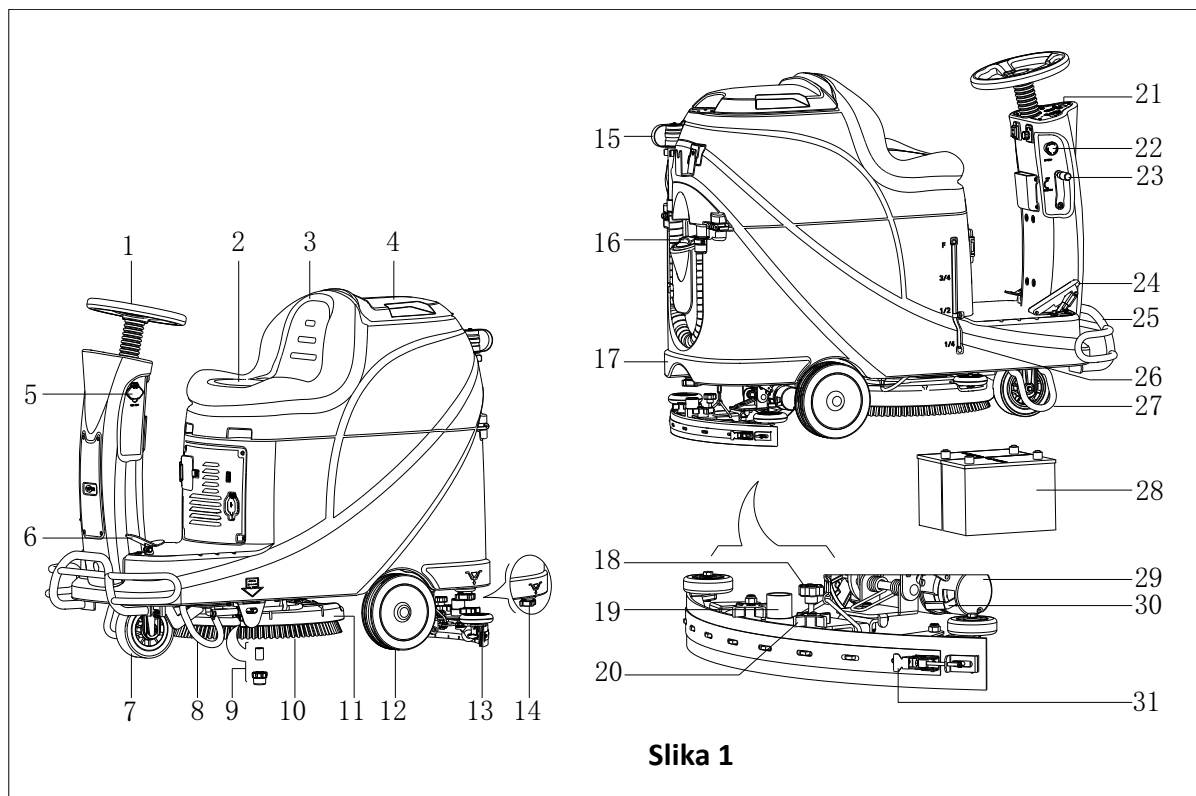
OPOZORILO!

- Pred uporabo previdno preglejte napravo. Preverite, ali so vse komponente pred uporabo pravilno sestavljene. Ali lahko povzročijo poškodbe ljudi in imetja.
- Pred uporabo baterijskega polnilca se prepričajte, da so vrednosti frekvence in voltaže na serijski številki stroja iste tistim na omrežju.

- Nikoli ne premikajte naprave z vlečenjem polnilnega kabla baterije. Ne zapirajte kabla med vrata, niti ga ne speljajte preko ostrih robov ali vogalov. Nikoli ne premikajte naprave z vlečenjem polnilnega kabla baterije. Polnilni kabel baterije naj ne bo v bližini grelnih površin.
Ne polnite baterij, če sta polnilni kabel baterije ali priključek, poškodovana.
- Da bi zmanjšali tveganje požara, električnega udara ali poškodbe, se prepričajte, da je naprava ugasnjena, preden jo zapustite.
- Uporabljajte in hranite napravo v notranjih prostorih v suhih razmerah, naprave ni dovoljeno uporabljati na prostem.
- Temperatura za shranjevanje in delovna temperatura naprave mora biti med 0 °C in +40 °C, vlažnost zraka mora biti med 30% - 95%.
- Ne uporabljajte naprave na pobočjih z naklonom, ki presega tistega, ki je zapisan v specifikaciji.
- Ob uporabi in pri rokovanju čistilnih detergentov za tla, sledite navodilom na oznakah steklenic detergenta ter nosite primerne rokavice in zaščito.
- Uporabite ščetke in blazinice, ki so prispale z napravo ali so zapisane v priročniku. Uporaba drugih ščetk ali blazinic lahko zmanjša varnost.
- V primeru napačnega delovanja naprave se prepričajte, da do tega ni prišlo zaradi nezadostnega vzdrževanja. Če je potrebno, zaprosite za pomoč pooblaščen osebje ali pooblaščen servisni center.
- Pazite, da se lasje, nakit ali ohlapna oblačila ne ujamejo v premikajoče dele naprave.
- Ne uporabljajte naprave v posebej prašnih področjih.
Ne perite naprave z neposrednimi curki ali curki pod pritiskom, ali s korozivnimi substancami.
- Ne približujte naprave policam ali odrom, še posebej tam, kjer je možnost padanja predmetov.
- Ne prislanjajte steklenic s tekočinami na stroj, za to uporabite primerno držalo.
- V izogib poškodovanja tal pazite, da ščetka/blazinica ne deluje, medtem ko naprava miruje.
- V primeru požara, uporabite gasilnik s suhim prahom. Ne uporabljajte gasilnikov na tekočino.
- Ne odstranjujte ali spreminjajte nalepk na napravi.
- Ne brkljajte po varnostnih mehanizmih naprave in sledite običajnim vzdrževalnim navodilom dosledno.
- Upoštevajte, da je temperatura med transportom naprave okoli stopnje zmrzali. Voda v zbiralni posodi in v ceveh lahko zmrzne in povzroči resne poškodbe stroja.
- Če je potrebno zamenjati rezervne dele, naročite ORIGINALNE rezervne dele pri pooblaščenih prodajalcih.
- Napravo vrnite v servisni center, če ne deluje, kot bi morala ali je v poškodovanem stanju, se nahaja zunaj na prostem, ali je bil potopljen v vodo.
- Za pravilno in varno rokovanje, je potrebno izvajati predvideno vzdrževanje, kot je zapisano v poglavju o vzdrževanju tega priročnika, ki ga mora izvesti pooblaščen osebje ali pooblaščen servisni center.
- Napravo je potrebno odvreči na pravilni način, zaradi strupenih materialov (baterije, itd.), ki zahtevajo posebno odlaganje v posebnih centrih (glej poglavje Odstranitev naprave)
- Ta naprava je namenjena samo čiščenju in nobenemu drugemu namenu.
- Odprtine naj bodo zmeraj čiste, v njih ne sme biti prah, lasje ali drugi tujki, ki bi zmanjšali pretok zraka. Ne uporabljajte stroja, če so odprtine zamašene.
- To napravo uporabite samo, kjer je dovolj svetlo.
- Ta naprava ni namenjena za uporabo ljudi z zmanjšanimi fizičnimi, zaznavnimi ali mentalnimi sposobnostmi, ali nimajo izkušenj oz. znanja, razen če so pod nadzorom ali so jim bila predana navodila za uporabo te naprave s strani osebe, ki je odgovorna za njihovo varnost.
- Bodite še posebej pozorni, ko uporabljate napravo v bližini otrok.
- Otroke je potrebno imeti pod nadzorom, da se ne igrajo z napravo.
- Med uporabo naprave pazite, da ne boste poškodovali ljudi ali predmetov.

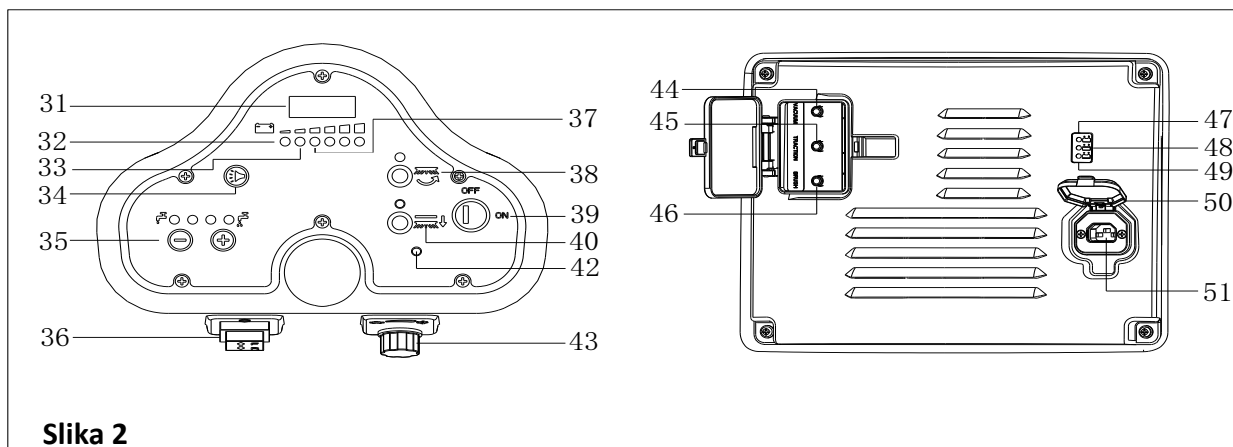
OPIS NAPRAVE

STRUKTURA NAPRAVE (kot prikazano na Slika 1)



Slika 1

- | | |
|--------------------------------|-------------------------------------|
| 1. Krmilo | 17. Rezervoar raztopine |
| 2. Sedežna blazina | 18. Gumb za prilagoditev otiralnika |
| 3. Polnilna posoda | 19. Sesalna cev |
| 4. Pokrov polnilne posode | 20. Gumb otiralnika |
| 5. USB polnilec | 21. Nadzorna plošča |
| 6. Pedal | 22. Zasilno stikalo |
| 7. Prednje kolo | 23. Ročica za dvig/spust otiralnika |
| 8. Levi podporni nosilec | 24. Pospeševalni pedal |
| 9. Filter raztopine | 25. Prednji odbijač |
| 10. Ščetka | 26. Indikator nivoja raztopine |
| 11. Prostor za ščetko | 27. Desni podporni nosilec |
| 12. Zadnje kolo | 28. Akumulator |
| 13. Sestav otiralnika | 29. Pogonski motor |
| 14. Pokrov izpusta raztopine | 30. Nosilec zavornega bloka |
| 15. Kanalizacijska odtočna cev | 31. Zapiralo otiralnika |
| 16. Pokrov dovoda vode | |

OPIS NAPRAVE**NADZORNA PLOŠČA (kot prikazano na Slika 2)****Slika 2**

- | | |
|---|---|
| 31. LED zaslon | 42. Lučka za prikaz težav s pogonskim motorjem |
| 32. Opozorilna luč praznega akumulatorja (Rdeč) | 43. Gumb za prilagoditev hitrosti |
| 33. Indikator pol praznega akumulatorja (Rumen) | 44. Zaščita pred preobremenitvijo sesalnega motorja |
| 34. Gumb za hupanje | 45. Zaščita pred preobremenitvijo pogonskega motorja |
| 35. Gumb za prilagajanje volumna raztopine | 46. Zaščita pred preobremenitvijo motorja ščetke |
| 36. Stikalo za naprej-nazaj | 47. Indikator polno napolnjenega akumulatorja (Zelen) |
| 37. Indikator izpraznjenosti baterije (zelen) | 48. Indikator pol napolnjenega akumulatorja (Rumen) |
| 38. Gumb ščetke | 49. Indikator polnjenja akumulatorja (Rdeč) |
| 39. Stikalo ključa | 50. Pokrov priključka polnilca |
| 40. Gumb za razbremenitev ščetke | 51. Priključek polnilca |

PRIKAZNE INFORMACIJE LED ZASLONA

STOP - Naprava se ne more premakniti, ščetka preneha delovati, vendar sesalni motor lahko deluje

(00012.3) - Skupne delovne ure naprave so 12,3 ure

L0-(18) - Voltaža akumulatorja je nižja od 18V

U-(25.5) - Voltaža akumulatorja je 25,5V

ERR-01 - Otiralnik ni dvignjen, ko se naprava obrne vzvratno

EKRAN ZA PRIKAZOVANJE STANJA POLNJENA (kot prikazano na Slika 2)

1. Na začetku polnjenja, rdeča LED (49) polnilnika običajno sveti. To je prva stopnja polnjenja.
2. Po nekaj časa, rdeča LED (49) lučka ugasne, rumena LED (48) lučka se prižge, to je druga stopnja polnjenja.
3. Ko je polnjenje končano, se rumena LED (48) lučka ugasne, prožge se zelena LED (47) lučka, ki kaže na polno napoljenost akumulatorja.

**OPOMBA**

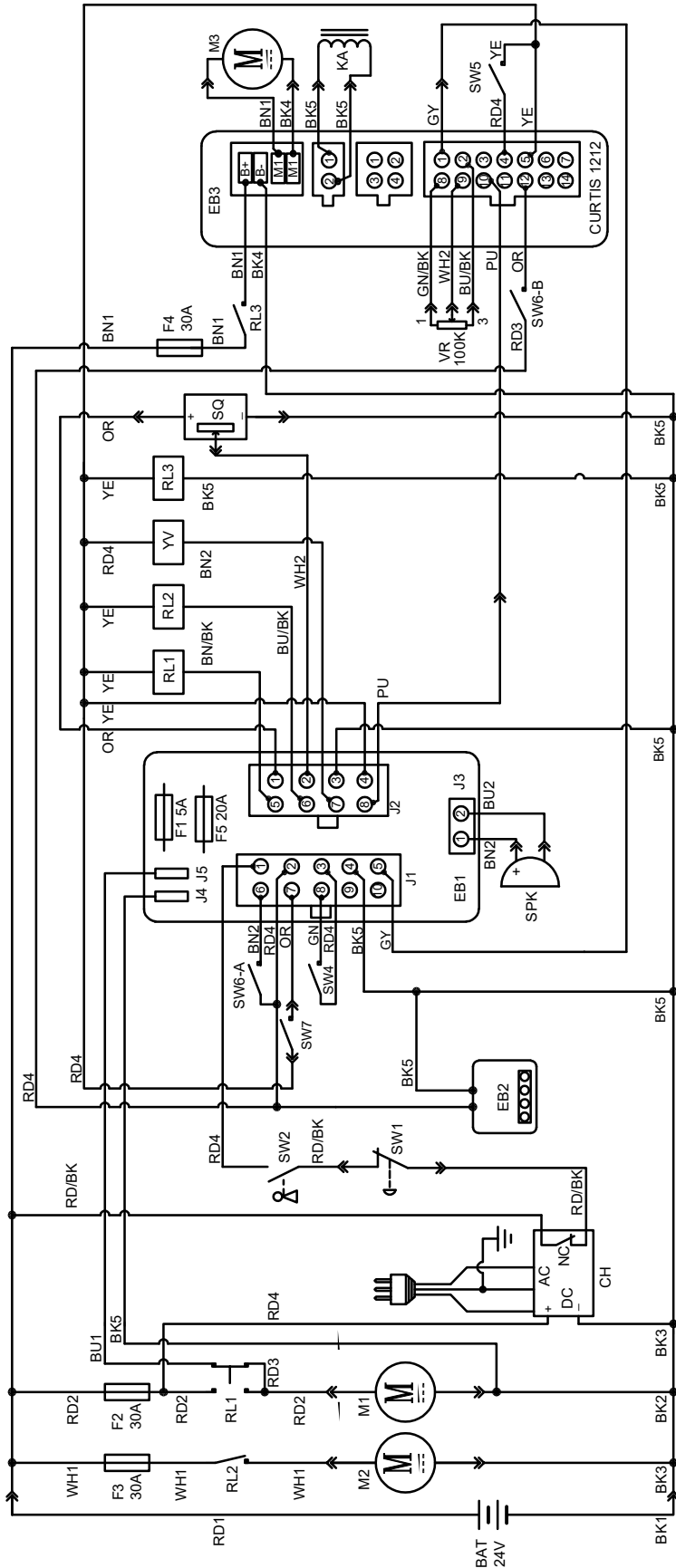
Pri procesu polnjenja, če se prižge rumena lučka (48), je to lahko zaradi: Akumulator in polnilec se ne ujemata, akumulator ni dobro priključen, ali prihaja do kratkega stika.

Utripajoča rdeča lučka polnilca lahko kaže na kratki stik znotraj polnilca.

TEHNIČNI PARAMETRI

MODEL	AS530R	
Pakirne dimenzije (Dx Šx V)	mm	1470*730*1310
Višina naprave	mm	1120
Dolžina naprave	mm	1360
Širina naprave (brez strgala)	mm	580
Teža naprave s praznimi posodami (brez akumulatorjev)	Kg	140
Bruto teža vozila (GVW)	Kg	270
Teža pošiljke	Kg	245
Kapaciteta posode z raztopino	Litrov	72
Kapaciteta zbiralne posode	Litrov	73
Moč sesalnega motorja	Wattov	400
Sesalna moč	mm H ₂ O	1223
Zmožnost vožnje v klanec (največ)	%	10
Premer prednjega kolesa	mm	φ175
Premer zadnjega kolesa	mm	φ230
Nivo hrupa	dB(A)	69
Tok raztopine/vode)	L/min	0.84-2.0
Delovna širina	mm	530
Širina strgala	mm	730
Premer ščetke/blazinice	mm	530
Moč motorja ščetke	Wattov	450
Hitrost ščetke	Rpm	160
Pritisk ščetke/blazinice (največ)	Kg	23
Moč pogonskega motorja	Wattov	300W
Delovna hitrost	Km/h	5.5km/h
Voltaža	V	24V
Akumulator (opcijsko)	Ah	2x100AH (20 ure)
Akumulatorski polnilec (opcijsko)	V/A	24V 10A
Velikost prostora za akumulator (Dx Šx V)	mm	350*380*300
Specifikacije USB polnilca	V/A	5V, 0.8A

DIAGRAM VEZJA



WIRE ROD		WIRE ROD	
RD1	RED/6AWG	BN/BK	BROWN/BLACK / 20AWG
RD2	RED/10AWG	BU1	BLUE/18AWG
RD3	RED/18AWG	BU2	BLUE/20AWG
RD4	RED/20AWG	BU/BK	BLUE/BLACK / 20AWG
RD/BK	RED/BLACK / 20AWG	GN	GREEN/20AWG
BK1	BLACK/6AWG	GN/BK	GREEN/BLACK / 20AWG
BK2	BLACK/10AWG	GY	GRAY/20AWG
BK3	BLACK/12AWG	PU	PURPLE/20AWG
BK4	BLACK/14AWG	OR	ORANGE/20AWG
BK5	BLACK/18AWG	YE	YELLOW/20AWG
BN1	BROWN/14AWG	WH1	WHITE/12AWG
BN2	BROWN/20AWG	WH2	WHITE/20AWG

COMPONENTS		COMPONENTS	
BAT	24V BATTERIES	KA	BRAKE
CH	BATTERY CHARGER	M1	BRUSH MOTOR
EB1	CONTROL PANEL BOARD	M2	VACUUM MOTOR
EB2	USB CHARGING ELECTRONIC BOARD	M3	DRIVE MOTOR
EB3	DRIVE ELECTRONIC BOARD	SW1	EMERGENCY-STOP SWITCH
RL1	BRUSH MOEOR ELECTROM SWITCH	SW2	KEY SWITCH
RL2	VACUUM MOEOR ELECTROM SWITCH	SW4	VACUUM MOTOR SWITCH
RL3	DRIVE SYSTEM ELECTROM SWITCH	SW5	OPTIONAL MODE SWITCH
YV	WATER ELECTROVALVE	SW6-A	OPTIONAL REVERSE SWITCH
F1	CONTROL PANEL BOARD FUSE	SW6-B	OPTIONAL REVERSE SWITCH
F2	BRUSH MOTOR CIRCUIT BREAKER	SW7	SEAT SWITCH
F3	VACUUM MOTOR CIRCUIT BREAKER	SQ	FOOT THROTTLE
F4	DRIVE SYSTEM CIRCUIT BREAKER	SPK	12VDC BUZZER
F5	BRUSH RELEASE FUSE	VR	SPEED POTENTIOMETER

KOMPONENTE		KOMPONENTE	
AKUMULATOR	24V AKUMULATOR	M1	MOTOR ŠČETKE
CH	AKUMULATORSKI POLNILEC	M2	MOTOR SESALCA
EB1	NADZORNA PLOŠČA	M3	POGONSKI MOTOR
EB2	ELEKTRONSKA PLOŠČA, KI SE POLNI PREKO USB	SW1	ZASILNO STIKALO
EB3	ELEKTRONSKA PLOŠČA POGONA	SW2	STIKALO S KLJUČEM
RL1	ELEKTROMAGNETNO STIKALO MOTORJA ŠČETKE		
RL2	ELEKTROMAGNETNO STIKALO SESALNEGA MOTORJA	SW4	STIKALO SESALNEGA MOTORJA
RL3	ELEKTROMAGNETNO STIKALO POGONSKEGA SISTEMA	SW5	STIKALO OPCIJSKEGA NAČINA
YV	VODNI ELEKTROVENTIL	SW6-A	OPRIJSKO VZVRATNO STIKALO
F1	VAROVALKA NADZORNE PLOŠČE	SW6-B	OPCIJSKO VZVRATNO STIKALO
F2	PREKINJEVALO TOKOKROGA MOTORNE ŠČETKE	SW7	SEDEŽNO STIKALO
F3	PREKINJEVALO TOKOKROGA SESALNEGA MOTORJA	SQ	NOŽNI PLIN
F4	PREKINJEVALO TOKOKROGA POGONSKEGA SISTEMA	SPK	12VDC BRENČALO
F5	VAROVALKA SPROSTITVE ŠČETKE	VR	HITROSTNI POTENCIOMETER
KA	ZAVORA		

ŽIČNI DROG		ŽIČNI DROG	
RD1	RDEČ/6AWG	BN/BK	RJAVA/ČRNA/20AWG
RD2	RDEČA/10AWG	BU1	MODRA/18AWG
RD3	RDEČA/18AWG	BU2	MODRA/20AWG
RD4	RDEČA/20AWG	BU/BK	MODRA/ČRNA/20AWG
RD/BK	RDEČA/ČRNA/20AWG	GN	ZELENA/20AWG
BK1	ČRNA/6AWG	GN/BK	ZELENA/ČRNA/20AWG
BK2	ČRNA/10AWG	GY	SIVA/20AWG
BK3	ČRNA/12AWG	PU	VIJOLIČNA/20AWG
BK4	ČRNA/14AWG	OR	ORANŽNA/20AWG
BK5	ČRNA/18AWG	YE	RUMENA/20AW
BN1	RJAVA/14AWG	WH1	BELA/12AWG
BN2	RJAVA/20AWG	WH2	BELA/20AWG

VODIČ PRI ROKOVANJU



OPOZORILO!

Bodite še posebej pozorni na te simbole v tem priročniku:

- NEVARNOST!
- OPOZORILO!
- PREVIDNOST!
- POSVETOVANJE

Teh simbolov nikoli ne prekrivajte na napravi, takoj jih zamenjajte, če se napisi poškodujejo.

NAMESTITEV IN NASTAVITEV NOVE BATERIJE NAPRAVE



OPOZORILO!

Električni sestavni deli stroja se lahko resno poškodujejo, če so baterije ali nepravilno nameščene ali nepravilno priključene.

Akumulator mora namestiti kvalificirano osebje. Nastavite polnilec akumulatorja (opcijsko) in PCBA naprave glede na tip akumulatorja (WET ali GEL/AGM).

Pred namestitvijo preverite akumulator, ali je poškodovan.

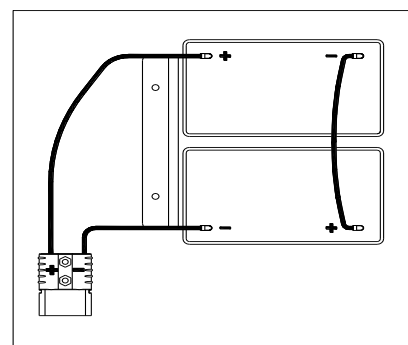
Izključite priključek akumulatorja in priklop akumulatorskega polnilca.

Z akumulatorjem ravnajte skrajno previdno.



OPOMBA

Naprava potrebuje dva 12V akumulatorja, priključite ju glede na Slika 3.



Slika 3

Naprava lahko deluje v enem izmed akumulatorskih načinov:

A) WET ali GEL/AGM akumulatorji so že nameščeni in pripravljeni za uporabo

1. Preverite akumulatorja in priključite priključek na napravo.
2. Vstavite stikalo s ključem (40) in obrnite na "on". Če se pojavi zelena lučka (37), sta akumulatorja popolnoma napolnjena za uporabo; če sveti rumena ali rdeča lučka (33 ali 32), je potrebno akumulatorja zamenjati.

B) Brez akumulatorjev

1. Če naprava niopremljena z akumulatorjema, kupite primerna akumulatorja (Glej razdelek o tehničnih podatkih). Za izbiro akumulatorjev in namestitev, se obrnite na kvalificirane prodajalce akumulatorjev.
2. Ko sta akumulatorja pripravljena, nastavite napravo in akumulatorski polnilec glede na tip nameščenih akumulatorjev, nato sledite proceduri, prikazani v naslednjem razdelku.

NAMESTITEV AKUMULATORJA IN NASTAVITEV TIPA AKUMULATORJA (MOKER ALI GEL/AGM)

Nastavite ploščo elektronskega tokokroga naprave in polnilec akumulatorja, glede na tip akumulatorja (WET ali GEL/AGM) tako, ad sledite spodnjim korakom:



OPOMBA

Ob namestitvi novih akumulatorjev, sledite Slika 4 za nastavev DIP stikala, sicer se lahko akumulatorja poškodujeta zaradi napačnih nastavitvev.

Nastavev naprave

1. Vstavite stikalo s ključem (40) in obrnite na "on", bodite pozorni na spodnje, prvih nekaj sekund po zagonu motorja:
 - Če utripa zelena luč (37), je naprava pripravljena za uporabo GEL/AGM akumulatorjev.
 - Če utripa rumena luč (33), je naprava pripravljena za uporabo EV AGM akumulatorjev.
 - Če utripa rdeča luč (32), je naprava pripravljena za uporabo WET akumulatorjev.
2. Sledite spodnjim korakom za zamenjavo nastavitvev naprave.
3. Tovarniške nastavitve naprave zajemajo uporabo Discover EV AGM akumulatorjev. Če nastavev ustreza izbranim akumulatorjem, pojdite neposredno na korak 6, ali sledite naslednjemu koraku.
4. Odvijte vijak (B, Slika 4) na nadzorni plošči, nato obrnite PCBA (A) na plošči in poiščite DIP stikalo (D), sledite Slika 4 za DIP nastavitve.

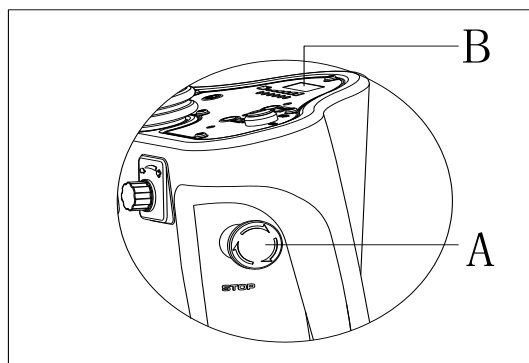
5. Izvedite korake v obratnem vrstnem redu razstavljanju za sestavljanje nadzorne plošče in zategnite vijak, ko končate z nastavitvijo.

1		WET AKUMULATORJI (OPOMBA: Obrnite varovalo1 in varovalo2 DIP stikala na »OFF«)
2		DISCOVER EV AGM AKUMULATORJI (OPOMBA: Obrnite varovalo 1 DIP stikala na »ON«, varovalo 2 na »OFF«)
3		SPLOŠNI GEL/AGM AKUMULATORJI (OPOMBA: Obrnite varovalo1 in varovalo2 DIP stikala na »ON«)

Slika 4

Namestitev akumulatorja

6. Odprite pokrov zbiralne posode (4) in preverite, da je zbiralna posoda (3) prazna; sicer jo izpraznite z drenažno cevjo. (15).
7. Zaprite pokrov zbiralne posode (4).
8. Previdno obrnite zbiralno posodo (3).
9. Naprava je dobavljena s kabli, ki so primerni za namestitev 2x12V akumulatorjev. Previdno vstavite akumulatorja v za to primeren prostor, nato ju primerno namestite.
10. Potegnite in namestite kabel akumulatorja, kot je prikazano na (Slika 3), nato previdno zategnite matico na vsakem akumulatorskem terminalu.
11. Namestite zaščitno kapico na vsak terminal, nato povežite priključek akumulatorja.
12. Previdno spustite zbiralno posodo (3).



Slika 5

Polnjenje akumulatorjev

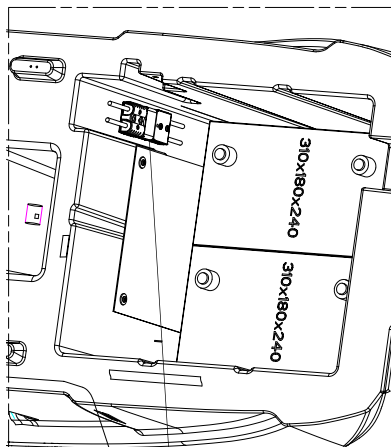
13. Polnjenje akumulatorjev. [Glejte poglavje o VZDRŽEVANJU].

Nastavitev polnilca akumulatorja (samo za vgrajen polnilec, če je nameščen)

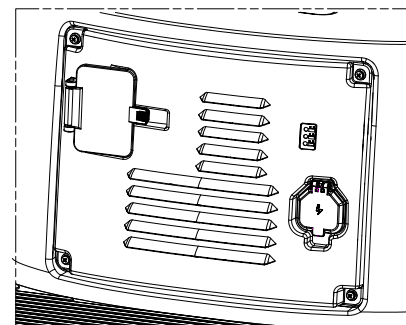
Akumulatorski polnilec

Akumulatorski polnilec se nahaja znotraj zadnjega pokrova in je povezan neposredno za akumulatorji. Polnilec je nadzorovan prek mikroprocesorja in uporablja različne polnilne krivulje za optimalno delovanje različnih tipov akumulatorjev.

1. Odklopite kabelski priključek, ki vodi do akumulatorjev.
2. Odstranite zadnje pokrove.
3. Odstranite 4 vijake (B), in odstranite polnilec (A).



Disconnect the connector



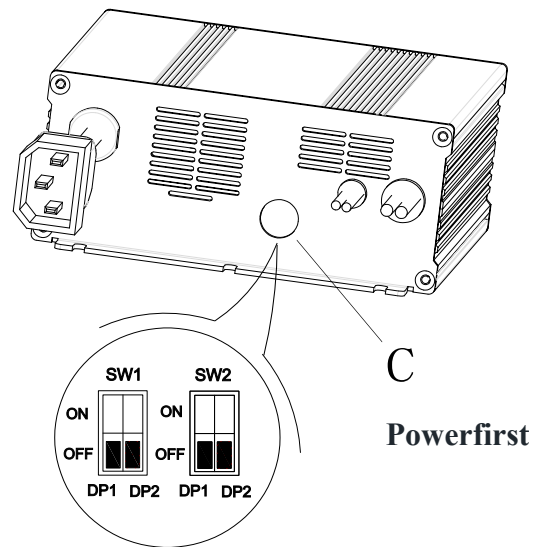
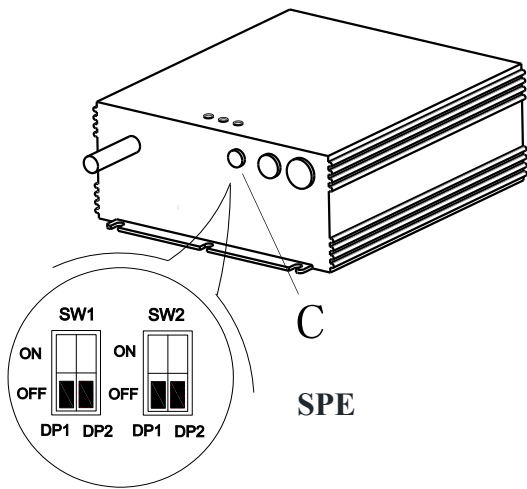
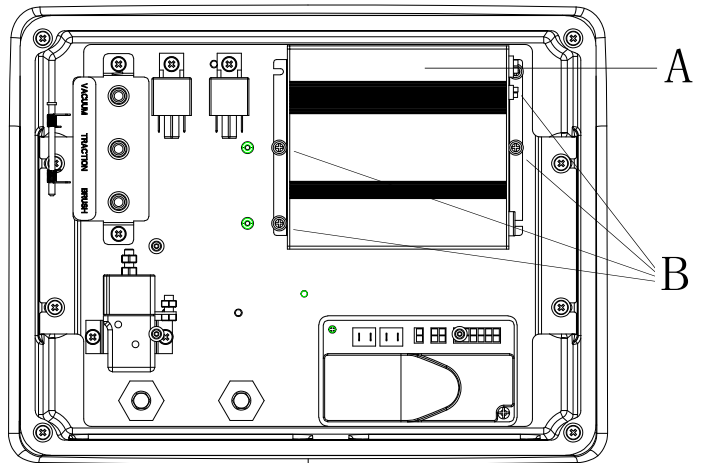
Rear cover

DIP-stikala tipa akumulatorja

Delovanje polnilca nadzorujejo 4 DIP-stikala (2 para) znotraj hrbtne pokrova. Drugih 2 stikal se ni nikoli dovoljeno dotikati, razen če je bil polnilec zamenjan in je potrebno potrditi njun položaj, nastaviti napetost akumulatorja (24V) in največjo jakost toka (10A) ter morata biti vedno v položaju izklop.

Prvi 2 stikali sta dostopni prek plastičnega čepa brez odpiranja polnilca. Ti stikali nastavljata tip polnilne krivulje, ki se uporablja za vsak tip akumulatorja. Tip krivulje označuje način in količino dovoda toka ter napetosti do akumulatorja v določenih fazah polnilnega cikla.

1. Odstranite plastični čep, ki pokriva odprtino za dostop do DIP-stikala (C).
2. Prvi 2 DIP-stikali (SW1) nastavite v skladu s podatki v spodnji tabeli.
3. Zamenjajte plastični čep.



Curve/Battery Type	SW1		SW2	
	D1	D2	D1	D2
IUIa Wet	On	Off	Off	Off
IUIa Gel Exide	Off	Off		
IUoU AGM	Off	On		
IUIa AGM Discover	On	On		

Curve/Battery Type	SW1		SW2	
	D1	D2	D1	D2
IUIa Wet	On	Off	Off	Off
IUIa Gel Exide	Off	Off		
IUIa AGM	Off	On		
IUIa AGM Discover	On	On		

ZAVIRANJE V SILI

Če je potrebno zavirati v silo med rokovanjem z napravo, pritisnite zasilno stikalo (A, Slika 5), nato se vse funkcije naprave zaustavijo, ni prikaza na nadzorni plošči (B, Slika 5)

NAMESTITEV IN ODSTRANITEV ŠČETKE/BLAZINICE



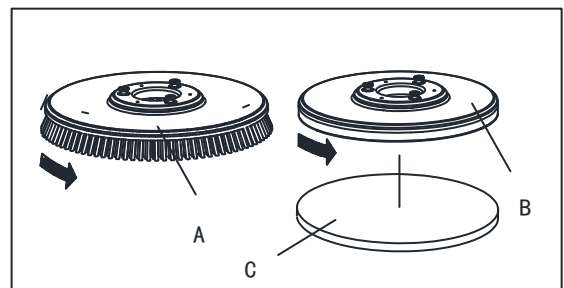
NOTE

Namestite primerno ščetko (A, Slika 6) ali blazinico (B in C, Slika 6) glede na tip tal, ki se bodo čistila.



PREVIDNOST

Pred namestitvijo ali odstranitvijo ščetke ali blazinice, se prepričajte, da so vsa stikala na napravi v položaju izklopa in da je otiralnik dvignjen s tal. Operater mora biti opremljen s primernimi zaščitnimi napravami za osebe, kot so rokavice, da zmanjša možnost nesreč. Delujte na sledeč način:



Slika 6

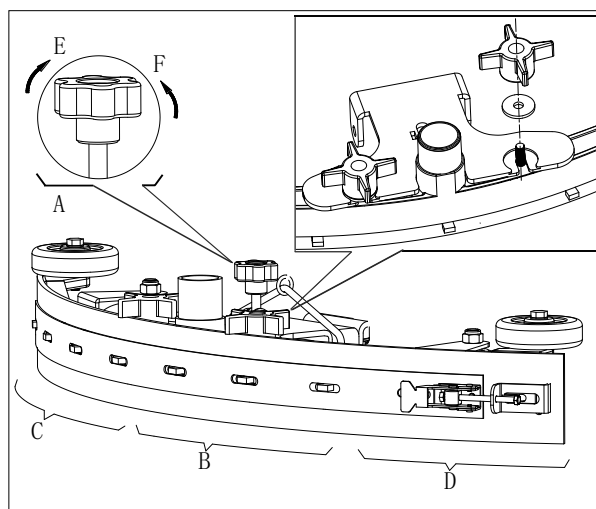
1. Vstavite ključ v stikalo (40) in obrnite na »ON«.
2. Pritisnite pedal (6) naprej z nogo, da dvignete sestav ščetke (11) s tal.
3. Obrnite gumb za prilagoditev hitrosti (42) v nasprotni smeri urinega kazalca, do konca.
4. Namestite ščetko (A, Slika 5) ali blazinico (B, Slika 5) na sredino, da poravnate z s prostorom za ščetko.
5. Pritisnite pedal (6) nazaj z nogo, da spustite sestav ščetke (11). Usedite se na sedež, pritisnite gumb za ščetko (39) in rahlo pritisnite pedal (23), ščetka/blazinica se lahko sestavi samodejno. Ponovite te korake, dokler ščetka/blazinica ni nameščena.
6. Če korak 5 ni uspešno izveden, potem prosimo odstranite ščetko/blazinico ročno.
7. Pritisnite pedal (6) naprej z nogo za dvig sestava ščetke (11) s tal, pritisnite odstranitveni gumb ščetke (41) za samodejno odstranitev.

**POZOR!**

Obrnite gumb za prilagoditev hitrosti (42) na minimalno hitrost, preden pritisnete na pedal za pospeševanje (6) v izogib prehitremu gibanju naprave, ob zagonu. Prepričajte se, da je ščetka/blazinica pravilno nameščena, preden rokujete z napravo.

PRILAGAJANJE RAVNOTEŽJA BRISALCA

1. Namestite otiralnik (13) in pritrдите gumb otiralnika (20), nato priključite sesalno cev (19) na otiralnik.
2. Prilagodite brisalec s prilagodljivo ročico brisalca (A, Slika 7).
 - a) Če je prostor med tlemi in srednjim delom zadnjega rezila brisalca (B), prilagodite gumb (A) v nasprotni smeri urinega kazalca (F), dokler celotna površina zadnjega dela rezila brisalca ne doseže tal, prednje rezilo pa se samo rahlo dotakne tal.
 - b) Če ni prostora med tlemi in srednjim delom zadnjega rezila brisalca (C in D), prilagodite gumb (A) v smeri urinega kazalca (E), dokler celotna površina zadnjega dela rezila brisalca ne doseže tal, prednje rezilo pa se samo rahlo dotakne tal.



Slika 7

POLNJENJE REZERVOARJA Z RAZTOPINO

1. Odprite pokrov dovoda vode (E, Slika 8).
2. Napolnite vodo ali raztopino, primerno za delo, skozi dovod vode s filtrom. Temperatura raztopine ne sme preseči +104F (+40°C).
3. Ne prenapolnite posode, glejte indikator nivoja vode (G) glede volumna vodiel.

**OPOZORILO!**

Uporabljajte samo nevljive detergente z nizko vsebnostjo pene, namenjene samodejni čistilni uporabi.

Pregled pogonskega motorja

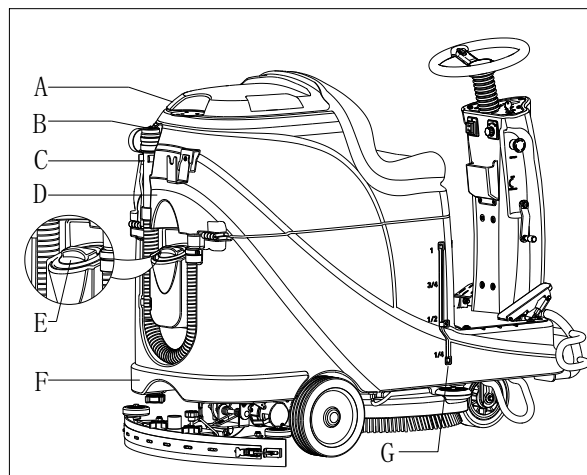
1. Obrnite stikalo s ključem (A, Slika 9) na »ON«
2. Rahlo pritisnite na pedal za pospeševanje (C) in nato popustite ter preverite, ali lahko napravo krmilite in ustavite.
3. Za zagotovitev varnosti, potrdite, ali lahko napravo nemudoma ustavite s pritiskom na zaslini gumb (B). Obrnite zaslini gumb za ponastavitev.

**PREVIDNOST**

Vzpon, po katerem se giba naprava, ne sme preseči 10%.

**PREVIDNOST**

Zavora pogonskega motorja ni zataknjena, ko motor deluje normalno, zaklene se, ko motor preneha delovati.



Slika 8

- Zavora odklenjena - ročica zavore (D, Slika 9) je zgoraj
- Zavora zaklenjena - ročica zavore se nahaja nižje
V nekaterih posebnih primerih, kot je pakiranje/odpakiranje naprave, napaka naprave, itd., ko je potrebno premikati napravo brez delovanja motorja, prosimo ročno nastavite zavoro v nezaklenjen položaj, da jo lahko premaknete.
V izogib varnostnemu tveganju, postavite zavoro nazaj v zaklenjen položaj, ko napravo premaknete.

ZAGON IN USTAVITEV NAPRAVE

Zagon naprave

1. Pripravite napravo, kot je prikazano v prejšnjem razdelku.
2. Usedite se na sedež (L, Slika 10), vstavite ključ v stikalo (A) in obrnite na »ON«. Če se pojavi zelena lučka (C), sta akumulatorja popolnoma napoljena za uporabo. Če se prižgeta rumena (E) ali rdeča luč (D), je treba akumulatorja pred uporabo napolniti. (Glejte poglavje o VZDRŽEVANJU za polnjenje akumulatorjev)
3. Spustite sestav otiralnika na tla.

NOTE



Prepričajte se, da je sestav otiralnika dvignjen, preden napravo peljete vzratno, sicer se bo naprava ustavila in LED zaslon bo prikazoval informacije o »napaki«.

4. Spustite sestav ščetke na tla.



OPOMBA

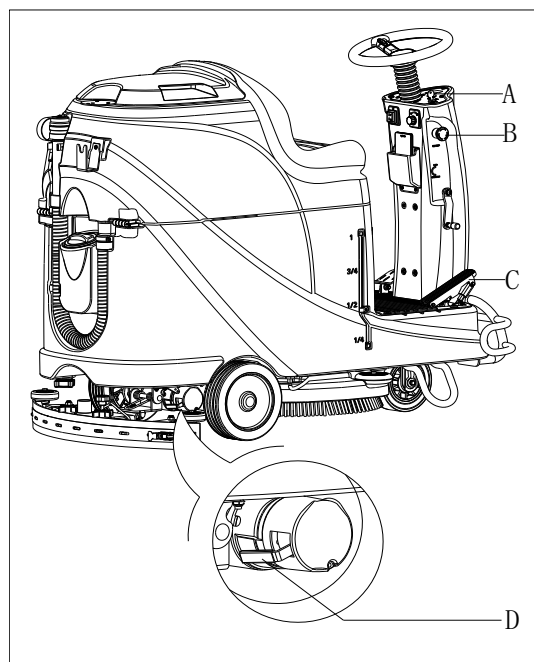
Prepričajte se, da ugasnete gumb ščetke, preden se dvigne sestav ščetke in dvignete sestav ščetke, preden napravo zapeljete naprej/nazaj.

5. Pritisnite gumb ščetke (B)
6. Pritisnite na pedal za pospeševanje (R), rokujte z napravo naprej ali nazaj s pomočjo krmila (N), skupaj s stikalom za naprej-nazaj (H) lahko prilagajate hitrost z gumbom za prilagajanje hitrosti (I).
7. Prilagodite tok raztopine z gumbom za prilagoditev raztopine (G) glede na potrebe pri čiščenju.
8. Polnite lahko vaš telefon ali tablico, preko USB polnilnega vhoda (M), ko je stikalo na ključ (A) obrnjeno na »ON«.
9. Pritisnite na gumb za hupanje (F), da opozorite ljudi, ko je potrebno.
10. Če je potrebno, pritisnite gumb v sili, da napravo zaustavite v sili.

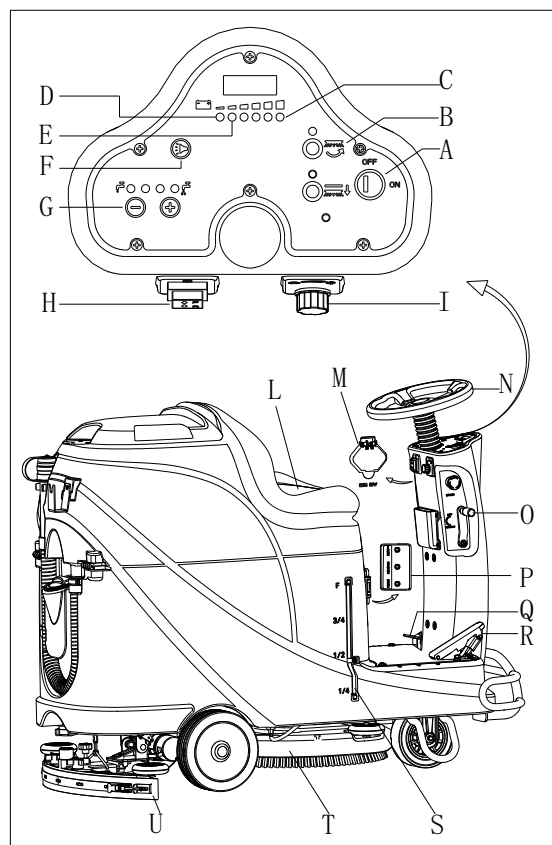


OPOMBA

Motor ščetke, sesalni motor, pogonski motor in nadzorno vezje so zaščiteni z zaščito proti preobremenitvi (P). Ko se sproži zaščita, ne ponastavljajte takoj nastavitve, preden najdete vzrok težave in se prepričajte, da se motor prej ohladi, preden ponastavite napravo.



Slika 9



Slika 10

Zaustavitev naprave

11. Razhrajajte pospeševalni pedal (R, Slika 10), naprava preneha delovati.
12. Pritisnite gumb ščetke (B) da zaustavite motor ščetke.
13. Dvignite sestav ščetke (T) s pritiskom na pedal (Q).

14. Dvignite sestav otiralnika (U) s pomočjo ročice dvigovanja/spuščanja otiralnika (O) in čez nekaj sekund bo sesalni sistem zaprt.
15. Obrnite stikalo na ključ na »OFF«.
16. Prepričajte se, da je naprava ustavljena.

ROKOVANJE Z NAPRAVO (ČIŠČENJE IN SUŠENJE)

1. Zaženite napravo glede na procedure v prejšnjih razdelkih.
2. Začnite s čiščenjem tako, da sledite naslednjim proceduram v razdelku »Zagona naprave«.
3. Po potrebi zaustavite napravo za prilagoditev otiralnika glede na razdelek »Prilagajanje ravnotežja otiralnika«.



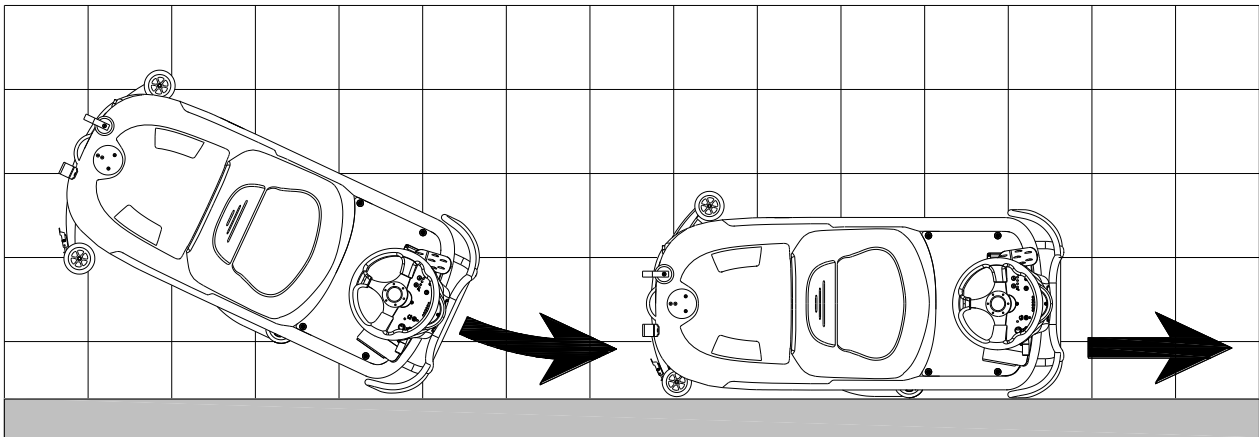
POZOR!

V izogib škodi na talnih površinah, izklopite držalo ščetke/blazinice, ko se naprava ustavi na mestu.



OPOMBA

Za pravilno čiščenje/sušenje tal ob straneh sten, predlagamo, da se stenam približate z desno stranjo (stran odbijača kolesa) naprave, kot je prikazano na Slika 11.



Slika 11

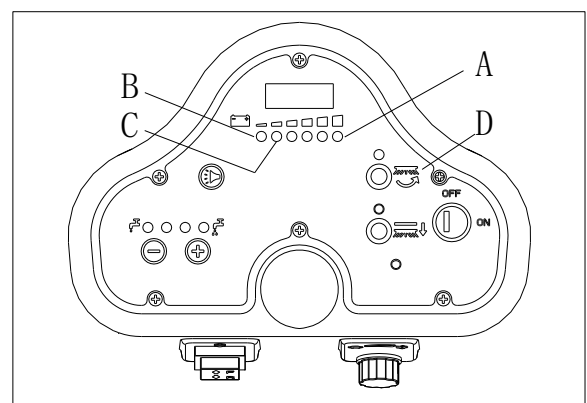
Polnjenje akumulatorja med delom

Ko sveti zelena lučka (A, Slika 12), imata akumulatorja dovolj energije za normalno delovanje naprave; ko ugasnejo vse zelene lučke, posveti rumena (C; Slika 12), kar pomeni, da je moč akumulatorjev prenizka, prosimo napolnite akumulatorja; ko zasveti rdeča lučka (B, Slika 12), sta aku. Prazna, sesalni motor in motor ščetke bosta samodejno izključena z nekajsekundnim zamikom, prosimo nemudoma zapeljite napravo na polnjenje.



POZOR!

V izogib poškodbam akumulatorjev in skrajšanju delovne življenjske dobe, ne uporabljajte naprave, ko se izpraznita akumulatorja.



Slika 12

PRAZNJENJE POSODE

Sistem avtomatskega zapiranja toka (B, Slika 13) zablokira sesalni sistem, ko je zbiralna posoda (C) polna. Deaktivacija sesalnega sistema se prikaže kot nenadno povečanje hrupa v motorju sesalnega sistema, prav tako tla niso posušena.



POZOR!

Če se sesalni sistem pomotoma ugasne (na primer, ko se plovec aktivira zaradi nenadnega premika naprave), za ponovno vzpostavitev: ugasnite sesalni s pritiskom na stikalo (D, Slika 12), nato odprite pokrov (A, Slika 11) in preverite, da se je plovec v mreži (B) spustil skupaj z nivojem vode. Nato zaprite pokrov (A) in obrnite sesalni sistem s pritiskom na stikalo (D, Slika 12).

Ko je zbiralna posoda z vodo (C, Slika 13) polna, jo izpraznite po sledeči proceduri.

Praznjenje zbiralne posode z vodo

1. Zaustavite napravo.
2. Dvignite krov ščetke/držala blazinice (H, Slika 12) s pritiskom na pedal (G).
3. Dvignite strgalo z ročico (H).
4. Zapeljite napravo na odlagališče.
5. Izpraznite zbiralno posodo s cevjo (D). Nato izperite posodo s čisto vodo.



PREVIDNOST!

Ob izpustu umazane vode, mora biti drenažna cev zložena (A, Slika 14) in spustite na nizki položaj (B, Slika 14) preden odprete pokrov drenažne cevi. Ne obračajte izpust drenažne cevi navzgor za izpuščanje vode vertikalno ter se tako izognite razlitju odpadne vode na operaterja.

Praznjenje rezervoarja z raztopino/čisto vodo

6. Izvedite korake 1 do 4 v poglavju »Praznjenje polnilne posode«.
7. Izpraznite rezervoar z raztopino skozi pokrov izpusta (A, Slika 15). In nato sperite rezervoar s čisto vodo.

PO UPORABI NAPRAVE

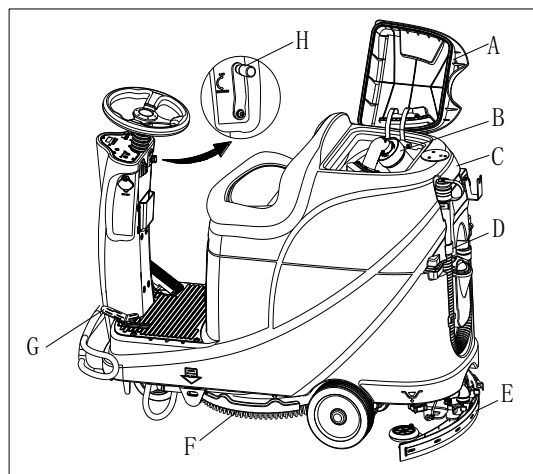
Po delu, preden zapustite napravo:

1. Odstranite ščetke/nosilce blazinic.
2. Izpraznite posode (B in C, Slika 15) kot je prikazano v prejšnjem odstavku.
3. Izvedite dnevne vzdrževalne procedure (glej poglavje o vzdrževanju).
4. Shranite napravo v čistem in suhem prostoru, strgalo in ščetke/držalo blazinic naj bo dvignjeno ali odstranjeno.

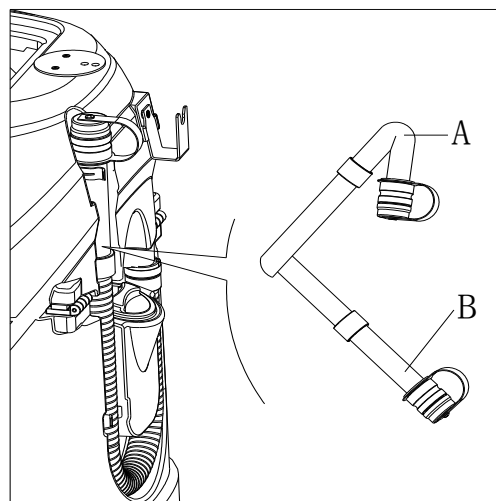
DOLGOTRAJNA NEAKTIVNOST NAPRAVE

Če naprava ne bo v uporabi več kot 30 dni, ukrepajte na naslednji način:

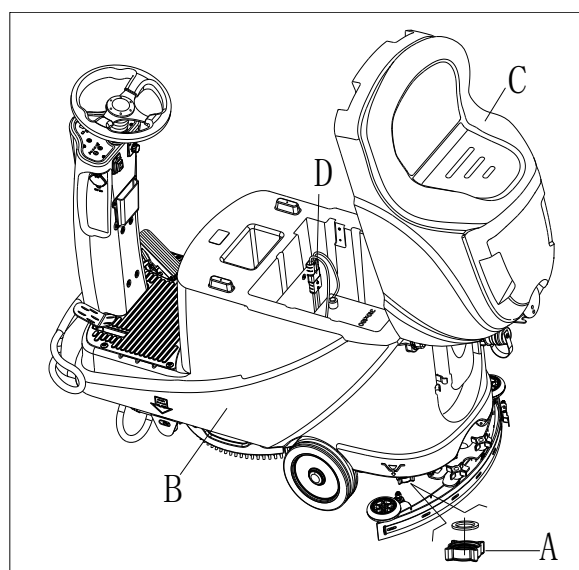
1. Izvedite procedure, prikazane v razdelku »PO UPORABI NAPRAVE«.
2. Odklopite akumulatorski priključek (D, Slika 15).



Slika 13



Slika 14



Slika 15

PRVA UPORABA

Po devetih urah prve uporabe naprave, preverite, ali je prišlo do napake ali nenavadne situacije, preverite ali so zapenjala in napeljava razrahljani.

VZDRŽEVANJE



OPOZORILO!

Vzdrževalne procedure je potrebno opravljati, ko je naprava ugasnjena in ko je polnilec baterij odklopljen. Poleg tega previdno preberite varnostna poglavja tega priročnika.

Vse planirano in neplanirano vzdrževanje mora opraviti usposobljeno osebje, ali imenovani servisni center našega podjetja. Ta priročnik samo opisuje splošne in skupne vzdrževalne procedure.

Kar se tiče ostalih vzdrževalnih procedur, ki jih ni v spodnji tabeli načrtovanega vzdrževanja, se prosim obrnite na servisni priročnik, ki ga najdete na katerem koli servisnem centru našega podjetja.

TABELA NAČRTOVANIH VZDRŽEVALNIH DEL



PREVIDNOST!

Procedura, označena z (1), mora biti opravljena po tem, ko je naprava prvič več kot 9 ur v uporabi.

Procedura, označena z (2) mora biti izvedena s strani servisnega centra, ki je usposobljeno s strani našega podjetja.

Procedura	Dnevno, po vsaki uporabi	Tedensko	Polletno	Letno
Polnjenje baterije				
Čiščenje brisalca				
Čiščenje krtače/držala blazinice				
Čiščenje rezervoarja				
Pregled tesnenja roba rezervoarja				
Čiščenje plovnega filtra				
Preverjanje in zamenjava rezila brisalca				
Čiščenje filtra čistilne vode				
Čiščenje sesalnega filtra				
Preverjanje nivoja tekočine MOKRE baterije				
Pregled zatesnitve vijakov in matic			(1)	
Preverba ali zamenjava ogljikove krtače držala krtače/blazinice				(2)
Preverba ali zamenjava ogljikove krtače sesalnega motorja				(2)
Preverba ali zamenjava ogljikove ščetke sistema pogonskega motorja (samo za naprave z oprijemom)				(2)
Dodajte lubrikantno olje za vrtljive dele			(1)	

POLNJENJE BATERIJE



OPOMBA

Prosimo polnite baterije, ko sveti rumena LED lučka (32) ali rdeča LED lučka (33), ali ob koncu vsakega delovnega cikla.



PREVIDNOST

Baterija naj bo zmeraj polno napolnjena, da se podaljša njena življenjska doba.



PREVIDNOST

Prosimo napolnite baterijo, takoj ko se nivo le-te približa nizki vrednosti, v nasprotnem primeru se življenjska doba baterije skrajša. Stanje baterije preverjajte vsaj enkrat tedensko.

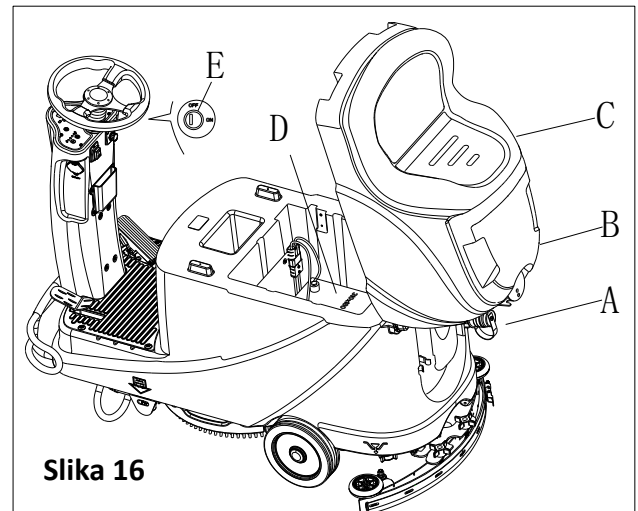
**POZOR!**

Bodite še posebej previdni ob polnjenju akumulatorja, saj lahko izteka kislina ob procesu polnjenja.

Akumulatorska kislina je korozivna, če slučajno pride v kontakt s kožo ali očmi, nemudoma izperite z veliko čiste vode in obiščite zdravnika.

Koraki za pripravo polnjenja akumulatorjev

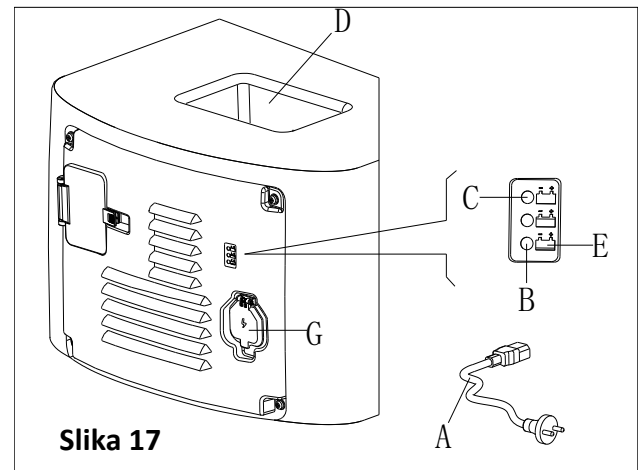
1. Odprite pokrov zbiralne posode (B, Slika 16) in preverite, ali je zbiralna posoda (C) prazna ali izpraznite zbiralno posodo s pomočjo drenažne cevi (A).
2. Zapeljite napravo do polnilnega prostora.
3. Obrnite ključ stikala na »OFF«.
4. Sledeči korak je samo za WET baterije:
 - Po potrebi očistite površino akumulatorja.
 - Preverite nivo elektrolitov akumulatorja (D), po potrebi, odprite pokrov in napolnite elektrolite, ter nato ponovno napolnite.
 - Med polnjenjem naj bo pokrov odprt.
5. Izberite eno od spodnjih polnilnih metod, glede na izbran tip polnilca.



Slika 16

Uporaba pripadajočega polnilca za polnjenje akumulatorja

6. Priključite kabel polnilca akumulatorja (A, Slika 17) na električno omrežje (G) in nato vsa naprava deluje, razen polnjenja. Rdeča LED lučka (B) pomeni, da je naprava v stanju polnjenja.
7. Akumulator je popolnoma napolnjen, ko se prižge zelena LED (C) lučka.
8. Izključite polnilni kabel akumulatorja iz električnega omrežja, ko je polnjenje končano in nato shranite akumulatorski polnilec v shrambi (D).



Slika 17

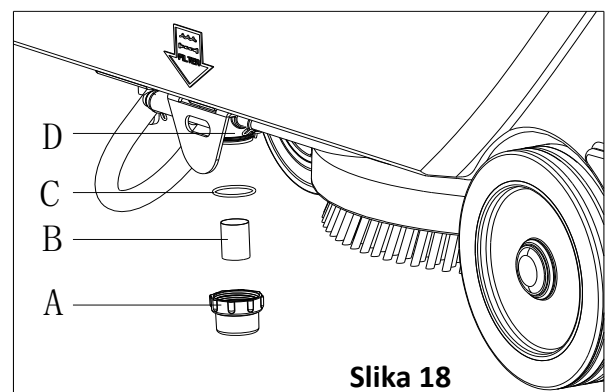
**OPOMBA**

Za nadaljnje informacije o pripadajočem polnilcu (E, Slika 17) se obrnite na relevantni priročnik iz servisnega centra.

ČIŠČENJE ŠČETKE/BLAZINICE**PREVIDNOST!**

Priporočljivo je, da uporabite rokavice ob čiščenju krtače ali držala blazinice, saj lahko vsebuje ostre delce.

1. Odstranite krtačo/držalo blazinice glede na postopke v prejšnjih razdelkih.
2. Očistite krtačo/držalo blazinice s pomočjo vode in detergenta.
3. Preverite celovitost in obrabljenost ščetin ščetke in jih po potrebi zamenjajte.
4. Preverite obrabljenost polirne blazinice in jo po potrebi zamenjajte.



Slika 18

ČIŠČENJA FILTRA RAZTOPINE

1. Zepljite napravo na ravna tla.
2. Prepričajte se, da je naprava izključena.
3. Izpraznite rezervoar z raztopino (opcijsko).
4. Odstranite pokrov filtra z raztopino (A, Slika 18) in očistite zaslon filtra (B), nato ga pritrдите nazaj na podporo filtra (D).



OPOMBA

Zaslona filtra (B) mora biti pravilno poravnana na ohišje podpore filtra (D).

ČIŠČENJE STRGALA



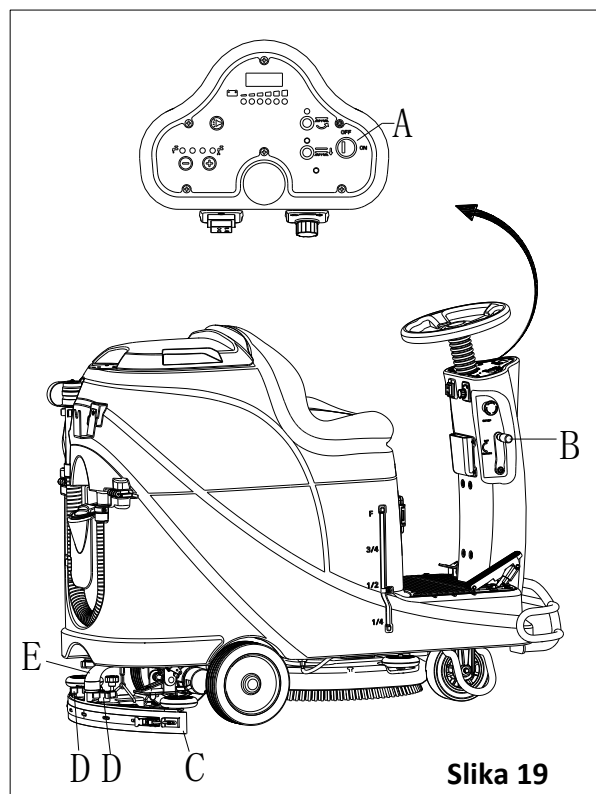
OPOMBA

Strgalo mora biti čisto in njegova rezila morajo biti v dobrem stanju, da zagotovijo dobro sušenje.



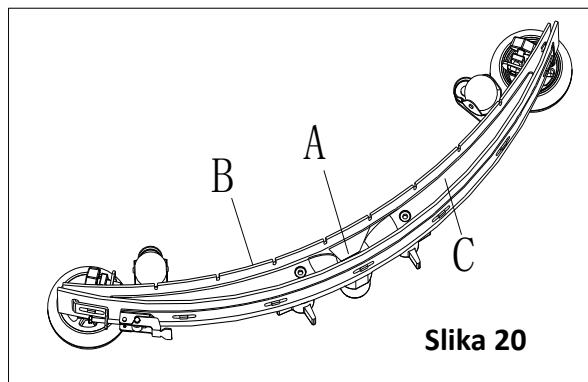
POZOR!

Priporočljivo je, da nosite varnostne rokavice za čiščenje strgala, saj vas lahko poškodujejo ostri ostanki.



Slika 19

1. Zapeljite napravo na ravna tla.
2. Obrnite ključ stikala (A, Slika 19) na »OFF«.
3. Spustite otiralnik (B) z ročico (C).
4. Razrahljajte gumbe (D) in odstranite otiralnik.
5. Odklopite sesalno cev (E) od otiralnika.
6. Očistite kovinski ali aluminjski otiralnik, posebej predele (A, Slika 20) in luknje (B). Preverite celovitost, reze in raztrganine prednjega rezila (B) in zadnjega rezila (C), ter ju po potrebi nadomestite glede na procedure v naslednjem razdelku.
7. Sestavite otiralnik v obratnem vrstnem redu razstavljanja.



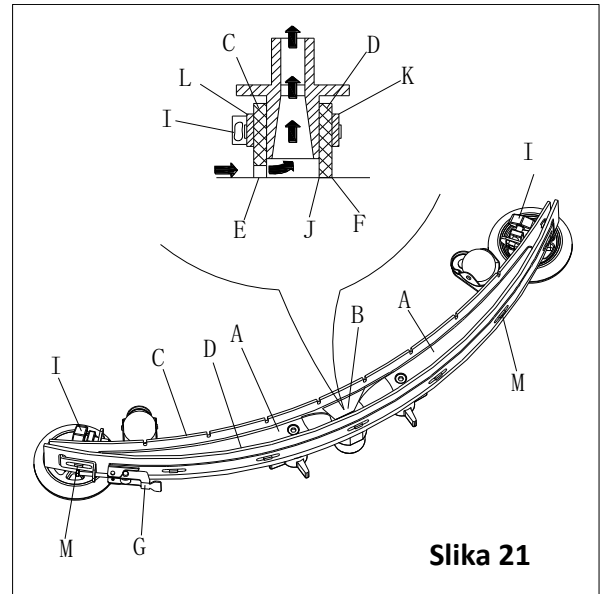
Slika 20

PREVERBA REZILA STRGALA IN NJEGOVA ZAMENJAVA

1. Očistite kovinsko ali aluminijasto strgalo, kot je prikazano v prejšnjem odstavku.
2. Preverite robove (E, Slika 21) prednjega rezila (C) in robove (F) zadnjega rezila (D) na istem nivoju, po njihovi dolžini; po potrebi prilagodite njihovo višino po naslednji proceduri:
 - Odstranite prislon (G), odklopite zapirala (M) in prilagodite zadnje rezilo (D), nato pritrđite zapirala (M) in namestite prislon (G).
 - Razrahljajte bumbe (I) in prilagodite prednje rezilo (C), nato zategnite gumbe.
3. Preverite prednje rezilo (C) in zadnje rezilo (D) zaradi obrabe in rezov; po potrebi jih zamenjajte po naslednji proceduri. Preverite prednji kot (J) zadnjega rezila (D), da ni obrabljen; po potrebi obrnite rezilo in zamenjajte obrabljen kot s sestavnim delom. Če so tudi ostali kot obrabljeni, nadomestite rezila glede na naslednjo proceduro:
 - Odstranite prislon (G), odklopite zapirala (M) ter odstranite držalni trak (K), nato zamenjajte/prevrnite zadnje rezilo (D). Sestavite rezilo v obratnem vrstnem redu razstavljanja.
 - Odvijte gumbe (I) ter odstranite držalni trak (L), nato zamenjajte prednje rezilo (C). Sestavite rezilo v obratnem vrstnem redu razstavljanja. Po zamenjavi rezila (ali po prevračanju), prilagodite višino, kot je prikazano v prejšnjem koraku.
4. Priključite sesalno cev (A, Slika 22) na strgalo.
5. Namestite strgalo (B) ter privijte gumbe (C).
6. Po potrebi prilagodite ravnovesje strgala s prilagoditvenim gumbom (D).

TANK AND VACUUM GRID WITH FLOAT CLEANING, AND COVER GASKET CHECK

1. Zapeljite napravo na ravno podlago.
2. Prepričajte se, da je vžigalni gumb (40) naprave izključen in odstranjen.
3. Pokrov zbiralne posode (A, Slika 23) postavite pod 90-stopinjski kot, da se ga lahko odstrani s posode in odstranite plovni filter (P) iz posode.
4. Očistite pokrov zbiralne posode (A), zbiralno posodo (B), rezervoar čiste vode (C) in podporni okvir plovnega filtra (E). Izpraznite zbiralno posodo s z odtočno cevjo (15).
5. Po potrebi, sledite simbolom »OPEN« in »CLOSE« kot prikazuje Slika 23 ter odprite spodnji pokrov (F) plovnega filtra in nato počistite plovno kroglico (D), podporni okvir filtra (E) in spužvo filtra (I). Po čiščenju pritrdite plovno kroglico (D) v filter podpornega okvirja (E) in nato poravnajte označeni utor (L) spodnjega pokrova (F) na plovnem filteru z označenim utorom (L) podpornega okvirja plovnega filtra (E). Trdno privijte spodnji pokrovček plovnega filtra in pritrdite spužvo filtra (I) na podporni okvir plovnega filtra (E). Na koncu ga priključite na sesalno cev odplakovanja (M).
6. Preverite celovitost tesnilnega traku rezervoarja.



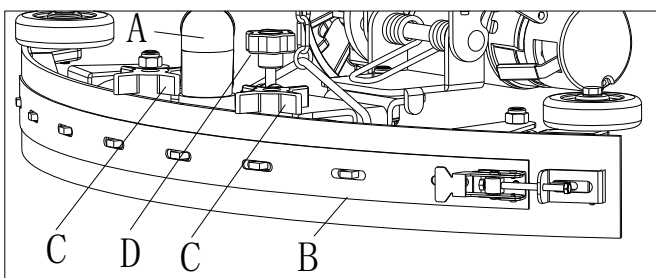
Slika 21



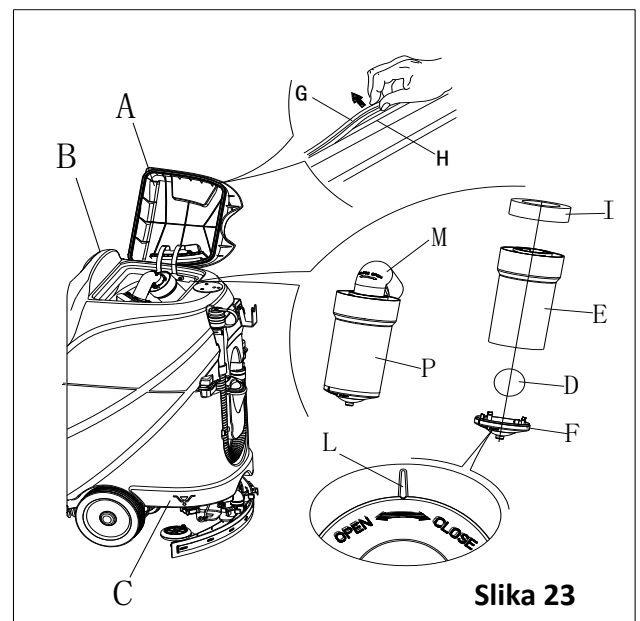
OPOMBA

Tesnilni trak rezervoarja (G) ustvarja vakuum na notranji strani rezervoarja, ko deluje sesalni motor. Rezervoar mora biti zatesnjen, da lahko učinkovito absorbira vodo s tal v zbiralno posodo.

7. Preverite, ali je kontaktna površina tesnilnega traku (G) cela in ali je tesnjenje zadostno. Po potrebi odstranite tesnilni trak z rezervoarja iz utora (H) in ga zamenjajte. Sestavite nov tesnilni trak, kot prikazuje Slika 23, sklep naj bo nazaj na sredini.
8. Zaprite pokrov zbiralne posode (A).



Slika 22



Slika 23

PREGLED/ZAMENJAVA VAROVALKE

- Obrnite ključ stikala (D, Slika 24) na »OFF«.
- Odklopite priključni kabel akumulatorja.
- Odvijte vijake (C) na nadzorni plošči in obrnite PCBA ter poiščite varovalko (A in B).
- Preverite/zamenjajte varovalke:
 - F1 je varovalka tokokroga nizke porabe (5A)
 - F3 je varovalka razstavljanja ščetke (20A)
- Po preverbi/zamenjavi, ponovno sestavite v obratni smeri razstavljanja.
- Preverite ali ponastavite zaščito pred preobremenitvijo.
 - F5 je zaščita pred preobremenitvijo sesalnega motorja (30A)
 - F4 je zaščita pred preobremenitvijo pogonskega motorja (30A)
 - zaščita pred preobremenitvijo motorja ščetke (30A)

DODATKI/MOŽNOSTI

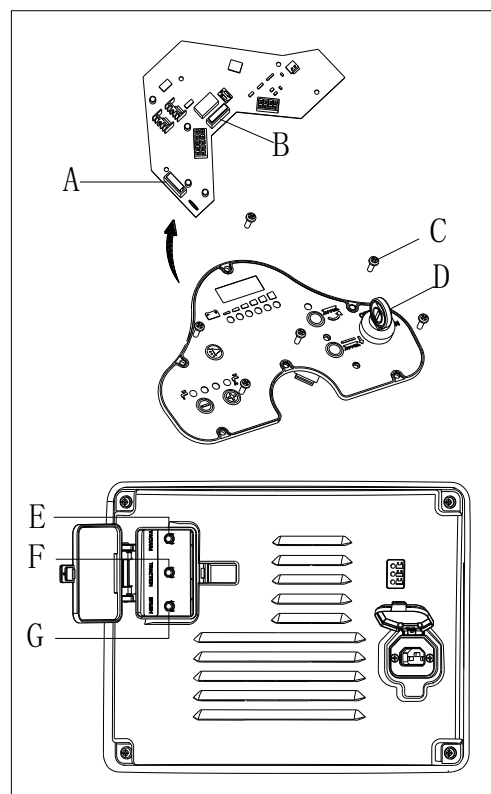
Kot dodatek k standarnim komponentam, je lahko naprava opremljena tudi z naslednjimi dodatki/opcijami, glede na specifično uporabo naprave.

Za nadaljnje informacije glede zgoraj omenjenih opsijskih dodatkov, kontaktirajte pooblaščenega prodajalca.

Dodatki/Možnosti

Glej razdelek »Seznam delov«

- GEL/AGM akumulator.
- Blazinice in različni materiali



Slika 24

ODPRAVLJANJE TEŽAV

Težava	Možni vzroki	Rešitev
Motorji ne delujejo; varnostna lučka se ne prižge (C9)	Priključek akumulatorja ni priključen	Priključite akumulatorski priključek
	Akumulatroja sta popolnoma prazna	Napolnite baterije
Naprava ne deluje, prižge se rdeča opozorilna lučka (C8)	Nivo akumulatorja je prenizek	Napolnite baterije
Naprava se ne premika naprej/nazaj	Napaka nadzorne plošče tokokroga	Zamenjajte nadzorno ploščo tokokroga
	Napaka kontrolerja pogonskega motorja	Glejte »INFORMACIJE NAPAKE INDIKATORJA POGONSKEGA MOTORJA«
	Operater ni na sedežu	Vsediti se na sedež
	Otiralnik ni dvignjen med vzvratno vožnjo naprave	Dvignite otiralnik
Motor ščetke ne deluje	Napaka nadzorne plošče tokokroga	Zamenjajte nadzorno ploščo tokokroga
	Preobremenitev motorja ščetke	Uporabite mehko ščetinasto ščetko, ki je primerna za čiščenje in ponastavite zaščito pred preobremenitvijo motorja
	Napaka kontaktorja motorja ščetke	Poprodajni servisni kontakt
	Obraba motorja ogljikove ščetke	Poprodajni servisni kontakt
	Ovire preprečujejo vrtenje ščetke	Očistite ščetko
Pogonski motor ne deluje	Težava pogonskega motorja, prižgana lučka	Glejte »INFORMACIJE NAPAKE INDIKATORJA POGONSKEGA MOTORJA«
	Preobremenitev pogonskega motorja	Ponastavite zaščito preobremenitve pogonskega motorja in pogonski motor/vezje

Sesalni motor ne deluje	Preobremenitev sesalnega motorja	Ponastavite zaščito preobremenitve sesalnega motorja in preverite sesalni motor
	Napaka releja sesalnega motorja	Poprodajni servisni kontakt
	Napaka nadzorne plošče	Zamenjajte nadzorno ploščo
Nezadostno sesanje, tla ne morejo biti posušena	Polnilna posoda je polna	Izpraznite polnilno posodo
	Slaba povezava med drenažno cevjo in otiralnikom	Pravilno priključite drenažno cev in otiralnik
	Blokada filtra plavajoče kroglice	Očistite filter plavajoče kroglice in preverite njen status
	Otiralnik je umazan ali obrabljen	Preverite in očistite otiralnik
	Pokrov zbiralne posode ni pravilno zaprt ali je tesnilo poškodovano ali je cev zamašena	Pravilno zaprite pokrov ali zamenjajte tesnilo, oz. očistite cev.
	Zbiralna posoda je umazana	Očistite zbiralno posodo
Nezadostna raztopina na pladnju ščetke	Filtrir raztopine je umazan	Očistite filter
	Prižgan je indikator prazne posode z raztopino	Napolnite posodo z raztopino
	Posoda z raztopino je preveč umazana	Očistite posodo z raztopino
Otiralnik pušča praske po tleh	Pod rezilom otiralnika so ostanki	Odstranite ostanke
	Obraba rezila otiralnika, razpoke, staran	Zamenjajte rezila otiralnika
	Ravnovesje otiralnika ni prilagojeno	Prilagodite ravnovesje otiralnika
Okvara zavore pogonskega motorja	Zavora je zaklenjena	Odklenite zavoro

INFORMACIJE O INDIKATORJU NAPAK POGONSKEGA MOTORJA

LED KODE		NAPAKA	MOŽNI VZROK
1,1	□□	TERMIČNA NAPAKA	1. Temperatura >80°C or < -10°C. 2. Prevelika obremenitev na vozilo. 3. Delovanje v ekstremnih razmerah. 4. Elektromagnetna zavora se ne sprošča.
1,2	□□□	NAPAKA PLINA	1. Žica plina je odprta ali skrajšana. 2. Posoda s plinom je v okvari. 3. Izbran je napačni tip plina.
1,3	□□□□	NAPAKA HITROSTNE POSODE	1. Žica(e) posode s hitrostno omejitvijo v okvari ali skrajšane. 2. Zlomljena posoda hitrostne omejitve.
1,4	□□□□□	NAPAKA PREMAJHNE VOLTAŽE	1. Voltaža akumulatorja <17 voltov. 2. Slaba povezava do akumulatorja ali nadzornika.
1,5	□□□□□□	NAPAKA PREVELIKE VOLTAŽE	1. Voltaža akumulatorja >31 voltov. 2. Naprava deluje s pripadajočim polnilcem. 3. Prekinjajoča akumulatorska povezava.
2,1	□□□	NAPAKA OMREŽJA	1. Gonilnik glavnega kontaktorja se ni odprl.
2,3	□□□□□	NAPAKA OMREŽJA *	1. Glavni kontaktor je zavarjen ali zataknen. 2. Napaka gonilnika glavnega kontaktorja.
2,4	□□□□□□	NAPAKA OMREŽJA	1. Gonilnik glavnega kontaktorja se ne more zapreti.
3,1	□□□□	NAPAKA OŽIČENJA *	1. Nepriprilagojen plin 2. Pokvarjen plin ali njegov mehanizem.
3,2	□□□□□	NAPAKA NA ZAVORI	1. Skrajšan gonilnik elektromagnetne zavore. 2. Odprta tuljava elektromagnetne zavore.
3,3	□□□□□□	NAPAKA PREDPOLNJENJA *	1. Gonilnik zavore skrajšan. 2. Poškodovano omrežje predpolnjenja. 3. Napaka MOSFET
3,4	□□□□□□□	NAPAKA ZAVORE	1. Odprt gonilnik elektromagnetne zavore. 2. Skrajšana tuljava elektromagnetne zavore.

3,5	XXXXXXXXXX	NAPAKA HDP	1. Nepravilno zaporedje plina in KSI, pritisk ali zaviranje dovoda. 2. Napačno dovajana posoda s plinom.
4,1	XXXXXX	NAPAKA ZAZNAVE TOKA *	1. Kratki stik v motorju ali njegovem ožičenju. 2. Napaka kontrolerja.
4,2	XXXXXXXXXX	NAPAKA STROJNE OPREME *	1. Voltaža motorja se ne ujema z zahtevo plina. 2. Kratki stik v motorju ali njegovem ožičenju. 3. Napaka kontrolerja.
4,3	XXXXXXXXXX	NAPAKA KONTROLNE VSOTE EEPROM †	1. Okvara ali napaka EEPROM.
4,5	XXXXXXXXXX	NAPAKA ODKLOPA AKUMULATORJA *	1. Akumulator ni priključen. 2. Slaba povezava do terminalov akumulatorjev.

* = Za razrešitev je potrebno zavrteti ključ.

† = Potreben programer za razrešitev, na sledeč način: izberite programski meni, spremenite podatkovne vrednosti katerega koli parametra, ciklično obrnite ključ.



OPOMBA

Naprava, ki je opremljena s pripadajočim polnilcem, ne bo v uporabi, ko pride do okvare pripadajočega polnilca, prosimo za pomoč, kontaktirajte naš kvalificiran center za vzdrževanje.

ODSTRANITEV

Napravo naj odstrani pooblaščen institucija za obdelavo odpadov.

Preden se stroj odstrani, vas prosimo, da se držite spodnjega podsklopa, da morajo biti spoštovani ustrezni zakoni in predpisi, ki zahtevajo odvažanje na primeren način.

- Baterija
- Čiščenje krtače/držala blazinice
- Plastična cev in plastični deli
- Električne in elektronske komponente (*)

(*) Prosimo, kontaktirajte naš servisni center za uničenje električnih in elektronskih komponent.

OBSAH

Ú VOD	287
OBSAH NÁVODU A ÚČEL	287
JAK ZACHÁZET S TÍMTO NÁVODEM	287
PROHLÁŠENÍ O SHODĚ	287
PŘÍSLUŠENSTVÍ A ÚDRŽBA	287
ZMĚNY A VYLEPŠENÍ	287
ÚČEL POUŽITÍ	287
ÚDAJE PRO IDENTIFIKACI PŘÍSTROJE	287
DODÁVKA A VYBALENÍ.....	287
 BEZPEČNOST	 288
SYMBOLY, KTERÉ JSOU UVEDENY V NÁVODU K OBSLUZE.....	288
VŠEOBECNÉ BEZPEČNOSTNÍ POKYNY	288
 POPIS PŘÍSTROJE ..	 290
POPIS PŘÍSTROJE	290
OVLÁDACÍ PANEL.....	291
INFORMACE ZOBRAZOVANÉ NA LED OBRAZOVCE	291
DISPLEJ KONTROLKY NABÍJEČKY	291
TECHNICKÉ PARAMETRY	292
SCHÉMA ZAPOJENÍ.....	293
 PROVOZNÍ PŘÍRUČKA	 295
INSTALACE A INSTALACE NOVÉ BATERIE PŘÍSTROJE	295
VLOŽENÍ BATERÍ A NASTAVENÍ TYPU BATERÍ (MOKRÉ NEBO GELOVÉ/AGM)	295
NOUZOVÉ ZASTAVENÍ.....	297
INSTALACE A ODINSTALACE DRŽÁKU KARTÁČE/PODLOŽKY	297
NASTAVENÍ VYVÁŽENÍ SACÍ TRYSKY.....	298
PLNĚNÍ NÁDRŽE S ČISTICÍM PROSTŘEDKEM	298
SPUŠTĚNÍ A ZASTAVENÍ PŘÍSTROJE	299
OBSLUHA PŘÍSTROJE (ČIŠTĚNÍ A VYSOUŠENÍ)	300
VYPŘÁZDNĚNÍ NÁDRŽE	301
PO POUŽITÍ PŘÍSTROJE	301
DLOUHÁ NEČINNOST PŘÍSTROJE	301
PRVNÍ POUŽITÍ PŘÍSTROJE	302
 ÚDRŽBA	 302
TABULKA PLÁNOVANÉ ÚDRŽBY	302
NABÍJENÍ BATERÍ.....	302
ČIŠTĚNÍ KARTÁČE/PODLOŽKY	303
ČIŠTĚNÍ FILTRU NÁDRŽE S ČISTICÍM PROSTŘEDKEM	304
ČIŠTĚNÍ SACÍ TRYSKY	304
KONTROLA A VÝMĚNA CHLOPNĚ STĚRKY	304
ČIŠTĚNÍ MŘÍŽKY NÁDRŽE A SÁNÍ S PLOVÁKOVÝM VENTILEM A KONTROLA TĚSNĚNÍ KRYTU	305
KONTROLA/VÝMĚNA POJISTKY	306
PŘÍSLUŠENSTVÍ/MOŽNOSTI	306
 ŘEŠENÍ POTÍŽÍ	 306
LIKVIDACE	308

ÚVOD



POZNÁMKA

Čísla v závorkách se vztahují k součástem uvedeným v kapitole Popis přístroje.

OBSAH NÁVODU A ÚČEL

Tento návod k obsluze má uživateli poskytnout potřebné informace pro správnou a bezpečnou obsluhu tohoto zařízení. Obsahuje informace o technických údajích, bezpečnosti, provozu, skladování, údržbě, náhradních dílech a likvidaci zařízení.

Před obsluhou tohoto zařízení je třeba, aby si provozovatel a kvalifikovaní technici pečlivě přečetli tento návod k obsluze. V případě dotazů ohledně tohoto návodu nebo dalších informací kontaktujte servisní středisko naší společnosti.

Pracovníci obsluhy nesmí provádět úkony, které by měli dělat kvalifikovaní technici. Naše společnost nebude zodpovídat za škody způsobené nedodržením tohoto zákazu.

JAK ZACHÁZET S TÍMTO NÁVODEM

Návod k obsluze musí být uložen v blízkosti přístroje, uvnitř adekvátní skříně, mimo dosah tekutin a jiných látek, které by ho mohly poškodit.

PROHLÁŠENÍ O SHODĚ

Prohlášení o shodě je součástí dodávky přístroje a potvrzuje shodu přístroje s platným zákonem.



POZNÁMKA

Kopie původního prohlášení o shodě jsou poskytovány spolu s dokumentací přístroje.

PŘÍSLUŠENSTVÍ A ÚDRŽBA

Všechny potřebné úkony, údržbu a opravy musí provádět kvalifikovaný personál nebo servisní střediska naší společnosti. Je nutné používat POUZE autorizované náhradní díly a příslušenství.

Pokud je třeba objednat náhradní díly nebo příslušenství, kontaktujte prosím naše oddělení péče o zákazníky.

ZMĚNY A VYLEPŠENÍ

Naše společnost své produkty neustále zlepšuje. Společnost si vyhrazuje právo na změny a vylepšení produktů, a to bez předchozího upozornění.

ÚČEL POUŽITÍ

Tento mycí stroj je určen pro obchodní a průmyslové použití. Je vhodný k čištění hladkých a tvrdých podlah a musí být používán odbornými pracovníky a v bezpečném prostředí. Tento přístroj není určen pro venkovní použití, čištění koberců a hrubých podlah.

ÚDAJE PRO IDENTIFIKACI PŘÍSTROJE

Výrobní číslo a název modelu přístroje jsou vyznačeny na výrobním štítku.

Tyto informace jsou užitečné. Pomocí následující tabulky si poznamenejte identifikační údaje přístroje pro případnou potřebu objednání náhradních dílů.

MODEL PŘÍSTROJE.....
VÝROBNÍ ČÍSLO PŘÍSTROJE.....

DODÁVKA A VYBALENÍ

Při dodání prosím zkontrolujte, zda nebyl obal a přístroj během dodávky poškozen. V případě viditelného poškození na tuto skutečnost upozorněte dopravce ještě před přijetím zboží. Máte právo na náhradu škody.

Při vybalování přístroje postupujte striktně dle pokynů na obalu.

Zkontrolujte, zda zásilka obsahuje následující položky:

1. Technická dokumentace včetně uživatelského manuálu a palubní nabíječky, pokud je součástí.
2. Nabíjecí kabel, pokud je součástí palubní nabíječka.

BEZPEČNOST

Následující symboly označují potenciálně nebezpečné situace. Tyto informace si vždy pozorně přečtěte a přijměte veškerá nutná opatření na ochranu majetku a zdraví osob.

SYMBOLY, KTERÉ JSOU UVEDENY V NÁVODU K OBSLUZE



NEBEZPEČÍ!

Označuje nebezpečnou situaci s nebezpečím s následkem smrti pracovníků obsluhy.



VAROVÁNÍ!

Označuje potenciální riziko zranění osob.



UPOZORNĚNÍ!

Označuje upozornění nebo poznámku související s důležitými nebo užitečnými funkcemi. Věnujte pozornost odstavcům označeným tímto symbolem.



POZNÁMKA

Vztahuje se k důležitým nebo užitečným funkcím.



DOPORUČENÍ

Označuje nutnost přečíst si před jakýmkoli úkonem návod k obsluze.

VŠEOBECNÉ BEZPEČNOSTNÍ POKYNY

Níže jsou uvedena zvláštní varování a upozornění informující o případných poškozeních týkajících se osob a přístroje.



NEBEZPEČÍ!

- Tento přístroj musí provozovat vyškolení a autorizovaní pracovníci podle pokynů v příručce.
- Před provedením jakékoli, údržby, opravy nebo výměny si pozorně přečtěte všechny instrukce, vypněte zařízení a odpojte konektor baterie.
- Nepracujte s přístrojem v blízkosti toxických, nebezpečných, hořlavých a/nebo explozivních prachových a tekutých materiálů nebo výparů. Tento stroj není vhodný pro sběr nebezpečných prášků.
- Při práci v blízkosti elektrických částí nenoste žádné šperky.
- Nepracujte pod zvednutým přístrojem, který nepodpírají bezpečnostní stojany.
- Olověné (MOKRÉ) baterie mohou za běžného použití uvolňovat hořlavý plyn. Baterie nevystavujte jiskrám, plamenům, kouřícím materiálům, zářícím a hořícím předmětům.
- Olověné (MOKRÉ) baterie mohou při nabíjení uvolňovat plynný vodík, který může způsobit výbuch. Zajistěte, aby místnost, kde se baterie nabíjí, byla dobře větraná a mimo dosah otevřeného ohně.



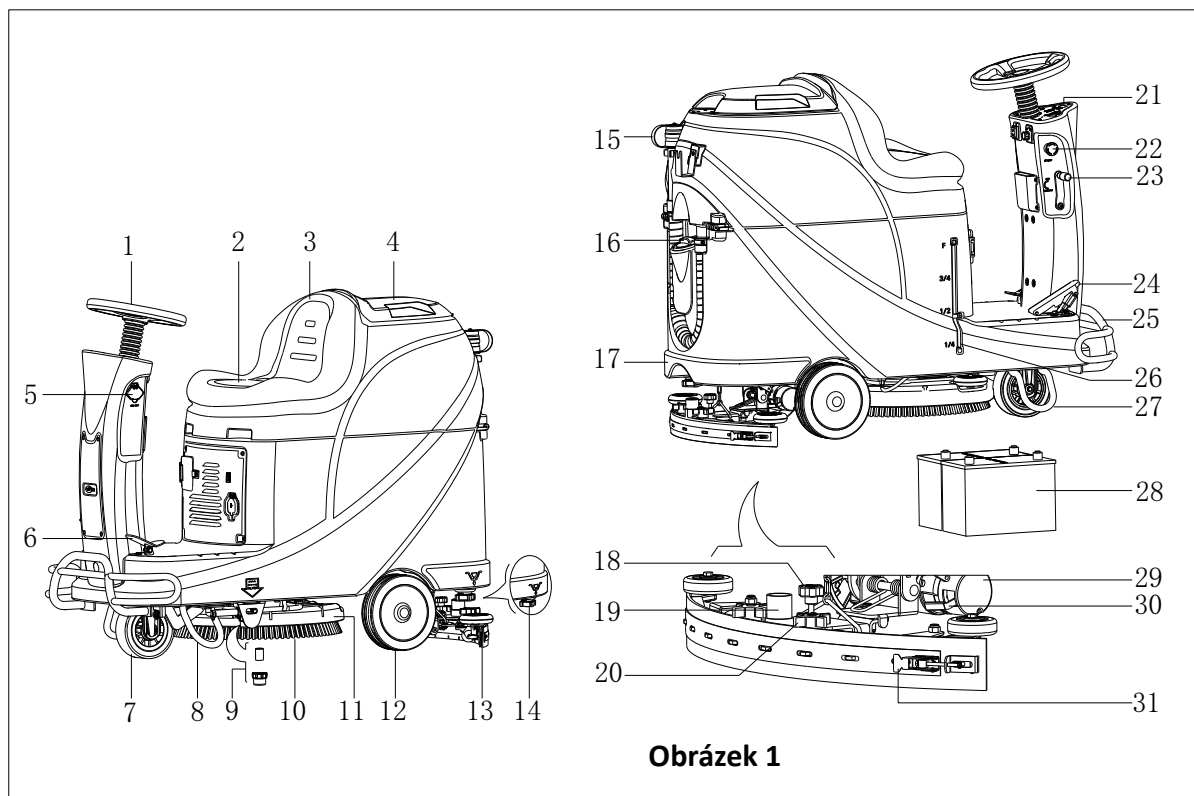
VAROVÁNÍ!

- Před každým použitím přístroj pečlivě zkontrolujte. Před použitím se ujistěte, že všechny komponenty byly správně smontovány. V opačném případě může dojít k poškození majetku a zranění osob.

- Před použitím nabíječky baterií se ujistěte, že hodnoty frekvence a napětí uvedené na výrobním štítku přístroje se shodují se sítí.
- Nikdy přístroj nepřemisťujte tažením za kabel nabíječky baterií. Nedovolte, aby kabel vedl přes zavřené dveře či přes ostré hrany a rohy. Přístroj nezapínejte, pokud se baterie nabíjí. Držte kabel nabíječky baterií mimo dosah horkých povrchů.
Baterie nenabíjejte, pokud jsou kabel nabíječky baterií či zástrčka poškozené.
- Chcete-li snížit riziko požáru, úrazu elektrickým proudem nebo zranění, před opuštěním přístroje se ujistěte, že je vypnutý.
- Přístroj používejte a ukládejte v suchých podmínkách interiéru. Přístroj se nesmí používat ve venkovních podmínkách.
- Teplota pro skladování a pracovní teplota přístroje se musí pohybovat mezi 0 °C a +40 °C, vlhkost vzduchu musí být v rozmezí 30 % - 95 %.
- Přístroj nepoužívejte na plochách se sklonem převyšujícím uvedené specifikace.
- Při použití a manipulaci s podlahovými čisticími prostředky postupujte dle pokynů na etiketách čisticích prostředků a noste vhodné rukavice a ochranné prostředky.
- Používejte kartáče a podložky dodávané s přístrojem nebo uvedené v tomto návodu. Použití jiných kartáčů nebo podložek by mohlo snížit bezpečnost přístroje.
- V případě poruchy přístroje se ujistěte, že porucha není způsobena nedostatečnou údržbou. V případě potřeby požádejte o pomoc autorizovaného pracovníka či autorizované servisní středisko.
- Proveďte všechna nezbytná opatření, aby se do pohyblivých částí zařízení nezachytily vlasy, šperky a volné oblečení.
- Přístroj nepoužívejte zejména v prašných prostorách.
Přístroj nemyjte hadicí nebo tlakovými vodními tryskami či korozními látkami.
- Dbejte na to, abyste nenarazili do regálů či lešení, zejména tam, kde je riziko padajících předmětů.
- Neopírejte o přístroj nádoby s tekutinami. Použijte vhodný držák.
- Zajistěte, aby byly kartáč/podložka vypnuté, zatímco je přístroj v klidu, aby nedošlo k poškození podlahy.
- V případě požáru použijte suchý práškový hasicí přístroj. Nepoužívejte tekuté hasicí přístroje.
- Neodstraňujte ani neupravujte štítky na přístroji.
- S bezpečnostními prvky zařízení svévolně nemanipulujte a postupujte přesně podle obvyklých pokynů pro údržbu.
- Pokud teplota klesne pod bod mrazu, věnujte při přepravě zařízení zvýšenou pozornost. Voda v nádrži na vodu a v hadicích by mohla zmrznout a přístroj vážně poškodit.
- Pokud je třeba vyměnit náhradní díly, objednejte si **ORIGINÁLNÍ** náhradní díly od autorizovaných prodejců.
- Pokud přístroj nepracuje jako obvykle nebo pokud je poškozený, stál venku nebo se namočil, odveďte ho do servisního střediska.
- Pro zajištění správného a bezpečného provozu přístroje je v příslušné kapitole tohoto návodu uvedena plánovaná údržba, kterou smí provádět pouze autorizovaní pracovníci nebo servisní středisko.
- Přístroj musí být řádně zlikvidován z důvodu přítomnosti škodlivých toxických materiálů (baterie atd.), které podléhají předpisům, jež předepisují likvidaci ve specializovaných zařízeních (viz kapitola Likvidace přístroje).
- Tento stroj je pouze čisticí nástroj, nemá sloužit k jiným účelům.
- Otvory přístroje vždy udržujte od prachu, vlasů a jiných cizích látek, které by mohly snížit proudění vzduchu. Zařízení nepoužívejte, pokud jsou otvory zanesené.
- Přístroj používejte pouze v prostorách s řádným osvětlením.
- Tento přístroj není určen k použití osobami se sníženými fyzickými, smyslovými či duševními schopnostmi, nebo nedostatečnými zkušenostmi a znalostmi, pokud nejsou pod dohledem či nebyli instruováni o použití přístroje osobou odpovědnou za jejich bezpečnost.
- Pokud je přístroj používán v blízkosti dětí, je nutná zvýšená pozornost.
- Děti by měly být pod dozorem, aby si s přístrojem nehrály.
- Při použití tohoto stroje dávejte pozor, abyste někoho nezranili či nepoškodili okolní předměty.

POPIS PŘÍSTROJE

POPIS PŘÍSTROJE (jak je znázorněno na Obrázek 1)

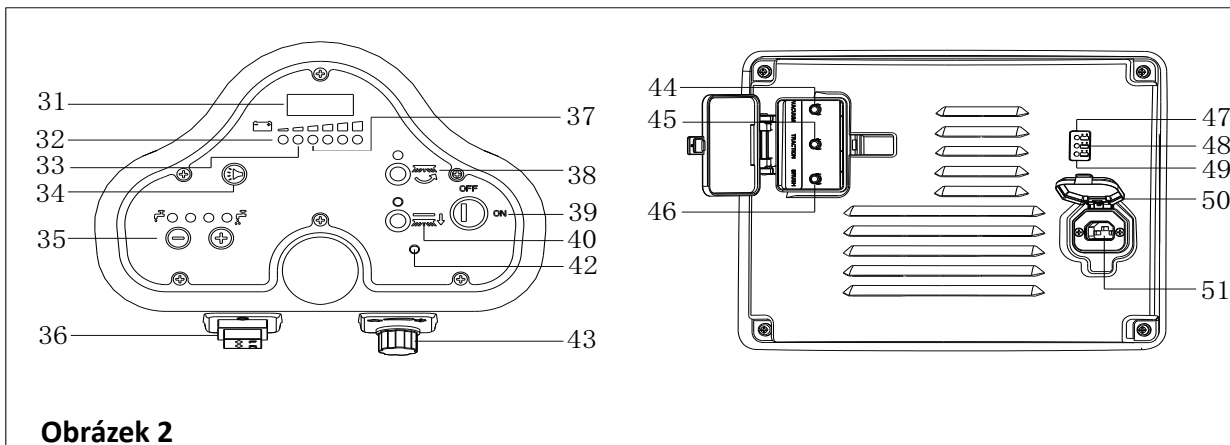


Obrázek 1

- | | |
|--|--|
| 1. Volant | 17. Nádrž s čisticím prostředkem |
| 2. Sedák | 18. Nastavení sací trysky |
| 3. Nádrž na obnovení vody | 19. Sací hadice |
| 4. Víko nádrže na čistou vodu | 20. Ovladač sací trysky |
| 5. Nabíjecí port USB | 21. Ovládací panel |
| 6. Pedál | 22. Nouzové tlačítko |
| 7. Přední kolo | 23. Páka pro zvednutí/spuštění sací trysky |
| 8. Levá podpěra | 24. Pedál plynu |
| 9. Filtr nádrže s čisticím prostředkem | 25. Přední nárazník |
| 10. Kartáč | 26. Indikátor hladiny čisticího prostředku |
| 11. Jednotka s kartáči | 27. Pravá podpěra |
| 12. Zadní kolo | 28. Baterie |
| 13. Sací tryska | 29. Hnací motor |
| 14. Víko výpusti nádrže s čisticím prostředkem | 30. Brzda |
| 15. Vypouštěcí hadice | 31. Zarážka sací trysky |
| 16. Vstupní otvor pro vodu | |

POPIS PŘÍSTROJE

OVLÁDACÍ PANEL (jak je znázorněno na Obrázek 2)



Obrázek 2

- | | |
|--|--|
| 31. LED obrazovka | 42. Indikátor poruchy hnacího motoru |
| 32. Indikátor vybité baterie (červená) | 43. Regulátor rychlosti |
| 33. Indikátor téměř vybité baterie (žlutá) | 44. Ochrana proti přetížení motoru sání |
| 34. Klakson | 45. Ochrana proti přetížení hnacího motoru |
| 35. Tlačítko nastavení množství čisticího prostředku | 46. Ochrana proti přetížení motoru kartáčů |
| 36. Přepínač pojezdu vpřed a zpátečky | 47. Indikátor plného stavu nabití baterie (zelená) |
| 37. Indikátor vybité baterie (zelená) | 48. Indikátor téměř vybité baterie (žlutá) |
| 38. Tlačítko kartáčů | 49. Indikátor nabití baterie (červená) |
| 39. Klíč zapalování | 50. Kryt zástrčky nabíječky |
| 40. Tlačítko pro uvolnění kartáčů | 51. Zástrčka nabíječky |

INFORMACE ZOBRAZOVANÉ NA LED OBRAZOVCE

STOP– Příklad nejede, kartáč nefunguje, ale motor sání pracuje

(00012.3) – Celková pracovní doba přístroje je 12,3 hodin

LO-(18) – Napětí baterie je nižší než 18 V

U-(25.5) – Napětí baterie je 25,5 V

ERR-01 – Sací tryska není při pojezdu přístroje vzad zvednutá

DISPLEJ KONTROLKY NABÍJEČKY (jak je znázorněno na Obrázek 2)

1. Na začátku nabíjení, červená LED (49) nabíječky normálně svítí. Jedná se o první fázi nabíjení.
2. Po nějaké době nabíjení se červená LED kontrolka (49) na nabíječce vypne, rozsvítí se žlutá LED kontrolka (48). Toto je druhá fáze nabíjení.
3. Po dokončení nabíjení se žlutá LED kontrolka (48) vypne, zelená LED kontrolka (47) se rozsvítí, což znamená, že baterie je plně nabitá.



POZNÁMKA

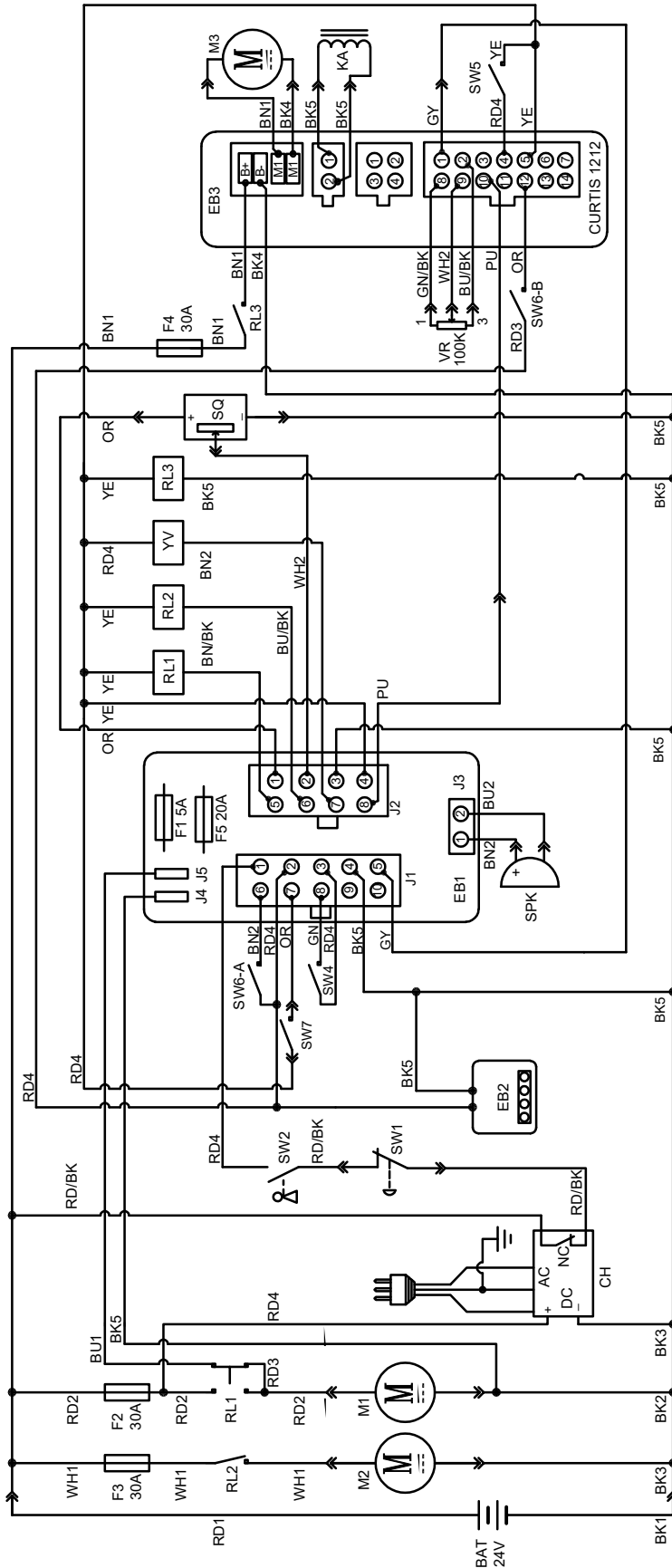
Pokud během nabíjení svítí žlutá kontrolka (48), může to být způsobeno: Baterie a nabíječka nejsou kompatibilní, baterie není dobře připojena nebo došlo ke zkratu výstupu.

Blikající červená kontrolka nabíječky může znamenat zkrat uvnitř nabíječky.

TECHNICKÉ PARAMETRY

MODEL	AS530R	
Rozměry balení (D x Š x V)	mm	1470*730*1310
Výška přístroje	mm	1120
Délka přístroje	mm	1360
Šířka přístroje (bez stěrky)	mm	580
Hmotnost přístroje s prázdnými nádržemi (bez baterií)	Kg	140
Hrubá hmotnost přístroje	Kg	270
Přepravní hmotnost	Kg	245
Kapacita nádrže s čisticím prostředkem	litr	72
Kapacita nádrže na obnovu vody	litr	73
Výkon motoru sání	Watt	400
Kapacita sání	mm H ₂ O	1223
Kapacita jízdy do svahu (max.)	%	10
Průměr předního kola	mm	φ175
Průměr zadního kola	mm	φ230
Hladina hlučnosti	dB(A)	69
Průtok čisticího prostředku/vody	l/min	0,84-2,0
Pracovní šířka	mm	530
Šířka sací trysky	mm	730
Průměr kartáče/podložky	mm	530
Příkon motoru kartáče	Watt	450
Rychlost kartáče	Rpm	160
Přítlak kartáče/podložky (max.)	Kg	23
Výkon motoru pojezdu	Watt	300W
Pracovní rychlost	Km/h	5,5 km/h
Napětí	V	24 V
Baterie (volitelné)	Ah	2x100AH (20 hodin)
Nabíječka baterií (volitelné)	V/A	24 V 10 A
Velikost prostoru pro baterie (D x Š x H)	mm	350*380*300
Specifikace USB nabíječky	V/A	5 V, 0,8 A

SCHÉMA ZAPOJENÍ



WIRE ROD		WIRE ROD	
RD1	RED/6AWG	BN/BK	BROWN/BLACK / 20AWG
RD2	RED/10AWG	BU1	BLUE/18AWG
RD3	RED/18AWG	BU2	BLUE/20AWG
RD4	RED/20AWG	BU/BK	BLUE/BLACK / 20AWG
RD/BK	RED/BLACK / 20AWG	GN	GREEN/20AWG
BK1	BLACK/6AWG	GN/BK	GREEN/BLACK /20AWG
BK2	BLACK/10AWG	GY	GRAY/20AWG
BK3	BLACK/12AWG	PU	PURPLE/20AWG
BK4	BLACK/14AWG	OR	ORANGE/20AWG
BK5	BLACK/18AWG	YE	YELLOW/20AWG
BN1	BROWN/14AWG	WH1	WHITE/12AWG
BN2	BROWN/20AWG	WH2	WHITE/20AWG

COMPONENTS		COMPONENTS	
BAT	24V BATTERIES	KA	BRAKE
CH	BATTERY CHARGER	M1	BRUSH MOTOR
EB1	CONTROL PANEL BOARD	M2	VACUUM MOTOR
EB2	USB CHARGING ELECTRONIC BOARD	M3	DRIVE MOTOR
EB3	DRIVE ELECTRONIC BOARD	SW1	EMERGENCY-STOP SWITCH
RL1	BRUSH MOTOR ELECTROM SWITCH	SW2	KEY SWITCH
RL2	VACUUM MOTOR ELECTROM SWITCH	SW4	VACUUM MOTOR SWITCH
RL3	DRIVE SYSTEM ELECTROM SWITCH	SW5	OPTIONAL MODE SWITCH
YV	WATER ELECTROVALVE	SW6-A	OPTIONAL REVERSE SWITCH
F1	CONTROL PANEL BOARD FUSE	SW6-B	OPTIONAL REVERSE SWITCH
F2	BRUSH MOTOR CIRCUIT BREAKER	SW7	SEAT SWITCH
F3	VACUUM MOTOR CIRCUIT BREAKER	SQ	FOOT THROTTLE
F4	DRIVE SYSTEM CIRCUIT BREAKER	SPK	12VDC BUZZER
F5	BRUSH RELEASE FUSE	VR	SPEED POTENTIOMETER

SOUČÁSTI		SOUČÁSTI	
BAT	BATERIE 24 V	M1	MOTOR KARTÁČŮ
CH	NABÍJEČKA BATERÍ	M2	MOTOR SÁNÍ
EB1	OVLÁDACÍ PANEL	M3	MOTOR POHONU
EB2	ELEKTRONICKÁ DESKA USB NABÍJENÍ	SW1	NOUZOVÝ SPÍNAČ
EB3	ELEKTRONICKÁ DESKA POHONU	SW2	KLÍČ ZAPALOVÁNÍ
RL1	ELEKTROM. SPÍNAČ MOTORU KARTÁČŮ		
RL2	ELEKTROM. SPÍNAČ MOTORU SÁNÍ	SW4	SPÍNAČ MOTORU SÁNÍ
RL3	ELEKTROM. SPÍNAČ HNACÍHO SYSTÉMU	SW5	VOLITELNÝ SPÍNAČ REŽIMU
YV	VODNÍ ELEKTROVENTIL	SW6-A	VOLITELNÝ SPÍNAČ PRO ZPÁTEČKU
F1	POJISTKA KONTROLNÍHO PANELU	SW6-B	VOLITELNÝ SPÍNAČ PRO ZPÁTEČKU
F2	JISTIČ MOTORU KARTÁČŮ	SW7	SPÍNAČ SEDADLA
F3	JISTIČ MOTORU SÁNÍ	SQ	PLYNOVÝ PEDÁL
F4	JISTIČ POHONNÉHO SYSTÉMU	SPK	BZUČÁK 12 V DC
F5	POJISTKA UVOLNĚNÍ KARTÁČŮ	VR	POTENCIOMETR RYCHLOSTI
KA	BRZDA		

VÁLCOVANÝ DRÁT		VÁLCOVANÝ DRÁT	
RD1	ČERVENÝ/6AWG	BN/BK	HNĚDÝ/ČERNÝ / 20AWG
RD2	ČERVENÝ/10AWG	BU1	MODRÝ/18AWG
RD3	ČERVENÝ/18AWG	BU2	MODRÝ/20AWG
RD4	ČERVENÝ/20AWG	BU/BK	MODRÝ/ČERNÝ/20 AWG
RD/BK	ČERVENÝ/BLACK/20AWG	GN	ZELENÝ/20AWG
BK1	ČERNÝ/6AWG	GN/BK	ZELENÝ/ČERNÝ /20AWG
BK2	ČERNÝ/10AWG	GY	ŠEDÝ/20AWG
BK3	ČERNÝ/12AWG	PU	FIALOVÝ/20AWG
BK4	ČERNÝ/14AWG	OR	ORANŽOVÝ/20AWG
BK5	ČERNÝ/18AWG	YE	ŽLUTÝ/20AWG
BN1	HNĚDÝ/14AWG	WH1	BÍLÝ/12 AWG
BN2	HNĚDÝ/20AWG	WH2	BÍLÝ/20AWG

PROVOZNÍ PŘÍRUČKA



VAROVÁNÍ!

Věnujte pozornost těmto symbolům v tomto manuálu:

- NEBEZPEČÍ!
- VAROVÁNÍ!
- UPOZORNĚNÍ!
- DOPORUČENÍ

Tyto symboly na přístroji za žádných okolností nezakrývejte. V případě jejich poškození je ihned vyměňte.

INSTALACE A INSTALACE NOVÉ BATERIE PŘÍSTROJE



VAROVÁNÍ!

Elektrické součásti přístroje se mohou vážně poškodit, pokud jsou baterie nesprávně instalovány či připojeny.

Instalaci baterií musí provádět pouze kvalifikované osoby. Nastavte nabíječku baterií (volitelné) a desku plošných spojů podle typu baterií (MOKRÉ či GELOVÉ/AGM).

Před vložením baterií se ujistěte, že baterie nejsou poškozené.

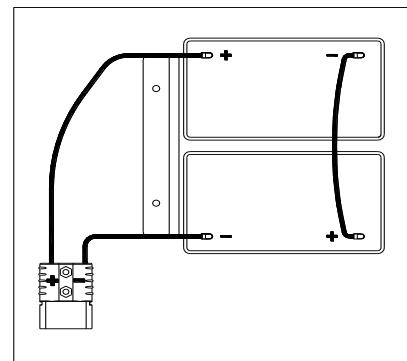
Odpojte konektor baterie a zástrčku nabíječky baterie.

S bateriemi zacházejte opatrně.



POZNÁMKA

Přístroj vyžaduje dvě baterie 12 V, připojené podle Obrázek 3.



Obrázek 3

Přístroj může být provozován v jednom z následujících režimů:

A) MOKRÉ či GELOVÉ/AGM baterie jsou již nainstalované a připravené k použití

1. Zkontrolujte baterie a připojte konektor baterie k přístroji.
2. Vložte klíč zapalování (40) a otočte jej do polohy "on". Pokud se rozsvítí zelená kontrolka (37), baterie jsou plně nabitě; pokud se rozsvítí žlutá či červená kontrolka (33 nebo 32), baterie je třeba nabít.

B) Bez baterií

1. Pokud váš přístroj není vybaven bateriemi, kupte si vhodné baterie (viz odstavec Technické údaje). Pro výběr a instalaci baterií se obraťte na kvalifikované prodejce baterií.
2. Po vložení baterií nastavte přístroj a nabíječku baterií podle typu baterií, poté se řiďte pokyny uvedenými v dalším odstavci.

VLOŽENÍ BATERIÍ A NASTAVENÍ TYPU BATERIÍ (MOKRÉ NEBO GELOVÉ/AGM)

Nastavte elektronickou obvodovou desku přístroje a nabíječku baterií podle typu baterií (MOKRÉ nebo GELOVÉ/AGM) podle následujících kroků:



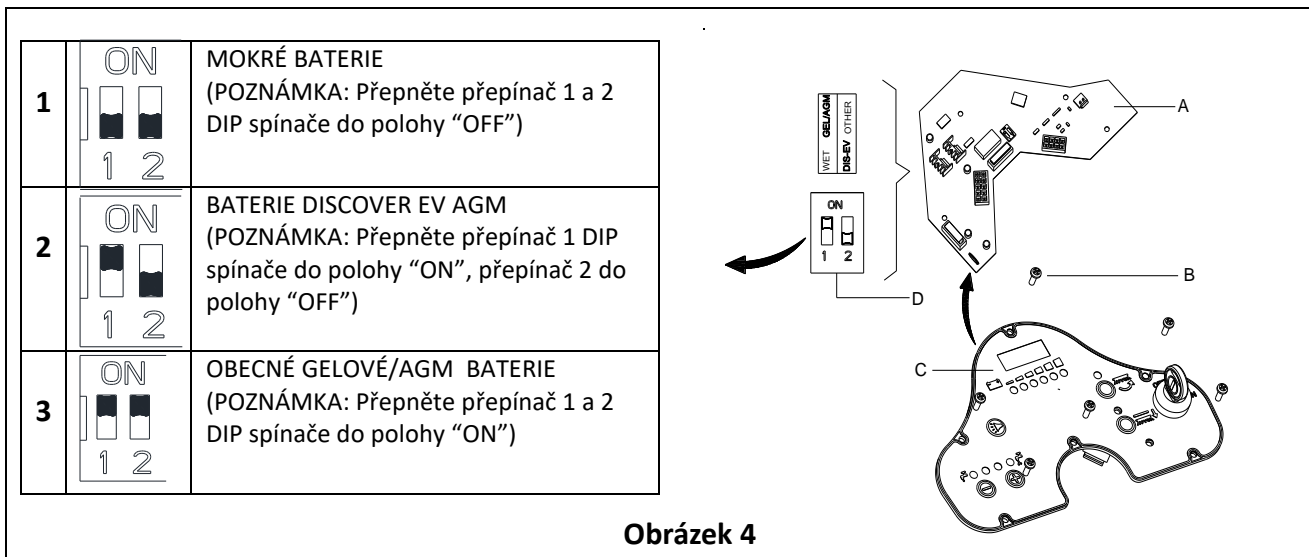
POZNÁMKA

Při instalaci nových baterií postupujte podle Obrázek 4 pro nastavení DIP spínače, jinak může vlivem nesprávného nastavení dojít k poškození baterií.

Nastavení přístroje

1. Vložte klíček zapalování (40) a otočte jím do polohy "ON", v prvních vteřinách prvního spuštění přístroje dávejte pozor na následující:
 - Pokud bliká zelená kontrolka (37), přístroj je nastaven na GELOVÉ/AGM baterie.
 - Pokud bliká žlutá kontrolka (33), přístroj je nastaven na baterie Discover EV AGM.
 - Pokud bliká červená kontrolka (32), přístroj je nastaven na MOKRÉ baterie.
2. Řiďte se níže uvedenými kroky pro změnu nastavení přístroje.
3. Tovární nastavení přístroje je nastaveno na baterie Discover EV AGM. Pokud nastavení odpovídá zvoleným bateriím, přejděte přímo k následujícímu kroku.

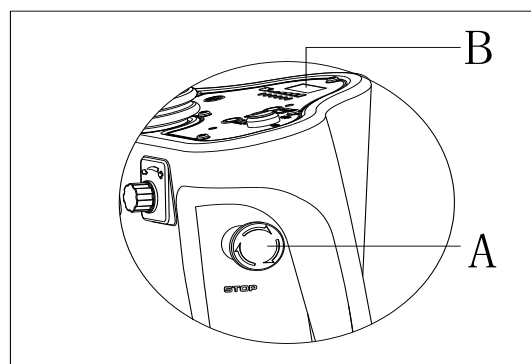
4. Vyjměte šroub (B, Obrázek 4) na ovládacím panelu, poté otočte desku plošných spojů (A) na panelu a vyhledejte DIP spínač (D), postupujte podle Obrázek 4 pro nastavení DIP.
5. Provedte kroky v opačném pořadí pro demontáž ovládacího panelu a po dokončení nastavení vložte šrouby zpět.



Obrázek 4

Vložení baterií

6. Otevřete kryt nádrže na obnovu vody (4) a ujistěte se, že je nádrž (3) prázdná; v opačném případě ji pomocí vypouštěcí hadičky vyprázdněte (15).
7. Zavřete kryt nádrže na obnovu vody (4).
8. Opatrně překloupte nádrž na obnovu vody (3).
9. Příklad je dodáván s kabely vhodnými pro instalaci 2x12 V baterií. Pečlivě vložte baterie do prostoru pro baterie, poté je správně nainstalujte.
10. Nainstalujte kabel baterie podle Obrázek 3, poté opatrně utáhněte matici na každém kontaktu baterie.
11. Nasadte ochranný kryt na každý kontakt, poté připojte konektor baterie.
12. Opatrně spusťte nádrž na obnovu vody (3).



Obrázek 5

Nabíjení baterií

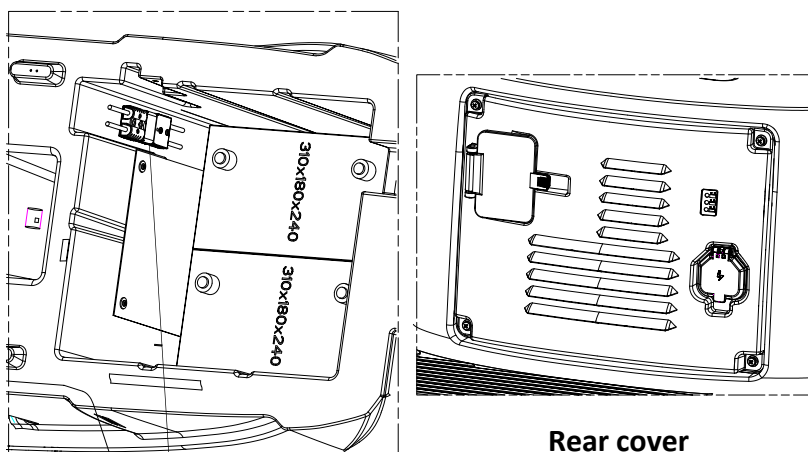
13. Nabíjení baterií. [viz kapitoly ÚDRŽBA].

Nastavení nabíječky baterií (pouze pro palubní nabíječku, pokud je nainstalována)

Nabíječka baterií

Nabíječka baterií je umístěna v zadním krytu a je připojena přímo k bateriím. Nabíječka je ovládána mikroprocesorem a využívá různé křivky nabíjení pro optimální účinnost u různých typů baterií.

1. Odpojte konektor kabelu směřující k bateriím.
2. Demontujte zadní kryty.
3. Demontujte 4 šrouby (B) a demontujte nabíječku (A).



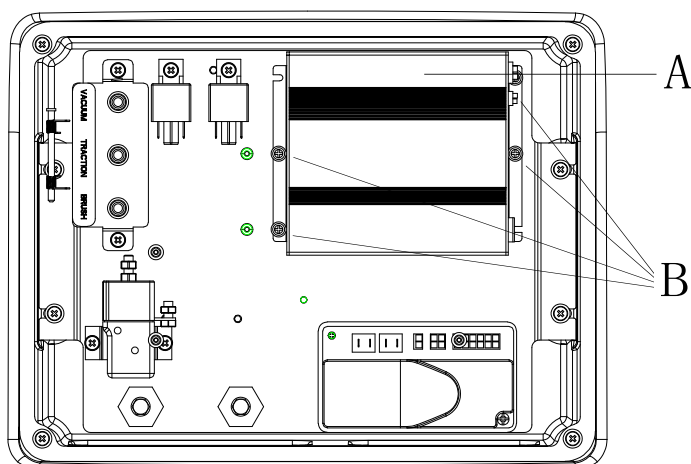
Disconnect the connector

Rear cover

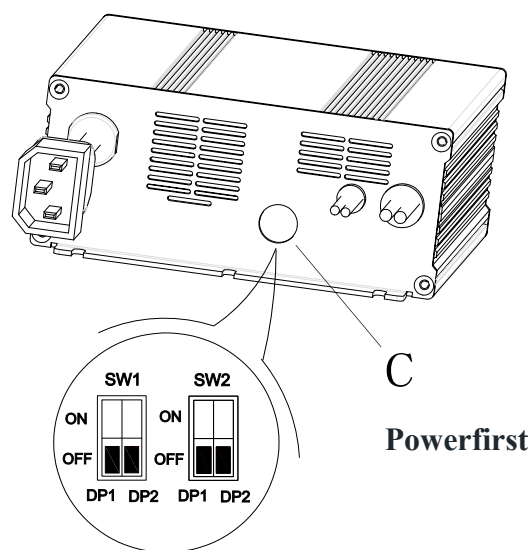
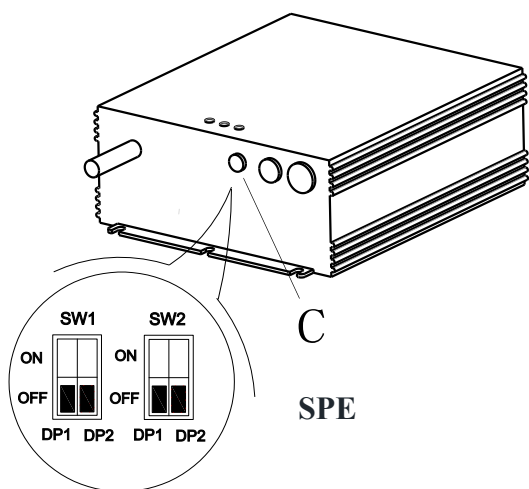
Mikrospínač typu baterií

Funkce nabíječky je řízena 4 mikrospínači (2 páry) uvnitř zadního krytu. Druhých 2 spínačů se nikdy nedotýkejte, dokud nabíječku nevyměníte, jejich polohu je nutno potvrdit, nastavit napětí baterie (24V) a maximální proud (10A) a vždy musí být v poloze vypnuto.

První 2 spínače jsou přístupné přes plastovou zátku bez nutnosti otevírat nabíječku. Tyto spínače nastavují druh křivky nabíjení používaný pro každý typ baterie. Druh křivky znamená způsob a rozsah, v níž se proud a napětí aplikují do baterie během jejich významných fází cyklu nabíjení.



1. Sejměte plastovou zátku zakrývající přístupový otvor mikrospínače (C).
2. Nastavte první 2 mikrospínače (SW1) podle následující datové tabulky.
3. Vyměňte plastovou zátku.



Curve/Battery Type	SW1		SW2	
	D1	D2	D1	D2
IUIa Wet	On	Off		
IUIa Gel Exide	Off	Off	Off	Off
IUoU AGM	Off	On		
IUIa AGM Discover	On	On		

Curve/Battery Type	SW1		SW2	
	D1	D2	D1	D2
IUIa Wet	On	Off		
IUIa Gel Exide	Off	Off	Off	Off
IUIa AGM	Off	On		
IUIa AGM Discover	On	On		

NOUZOVÉ ZASTAVENÍ

V případě naléhavé situace během provozu přístroje stiskněte nouzový spínač (A, Obrázek 5), poté se všechny funkce přístroje zastaví, na ovládacím panelu se nic nezobrazí (B, Obrázek 5).

INSTALACE A ODINSTALACE DRŽÁKU KARTÁČE/PODLOŽKY



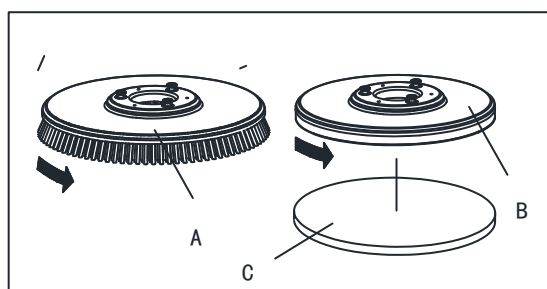
POZNÁMKA

Nainstalujte vhodný kartáč (A, Obrázek 6) či podložku (B a C, Obrázek 6) podle typu podlahy, která se má čistit.



UPOZORNĚNÍ!

Před instalací či odinstalací kartáče či podložky se ujistěte, že všechny spínače na přístroje jsou vypnuté (v poloze "off") a sací tryska je zvednutá od podlahy. Obsluha musí být vybavena vhodnými ochrannými prostředky, jako jsou rukavice, za účelem snížení rizika poranění. Postupujte následovně:



Obrázek 6

1. Vložte klíč zapalování (40) a otočte jím do polohy "ON".
2. Zvedněte jednotku s kartáči (11) sešlápnutím pedálu (6).
3. Otočte regulátorem rychlosti (42) proti směru hodinových ručiček.
4. Umístěte kartáč (A, Obrázek 5) či podložku (B, Obrázek 5) tak, aby byly zarovnány na střed.
5. Snižte jednotku s kartáči (11) sešlápnutím pedálu (6). Posadte se na sedadlo, stiskněte tlačítko kartáčů (39) a lehce sešlápněte pedál (23), kartáč/podložku lze namontovat automaticky. Opakujte tyto kroky, dokud nejsou kartáč/podložka namontovány.
6. Pokud je krok 5 pro instalaci kartáče/podložky obtížně proveditelný, kartáč/podložku sejměte ručně. I
7. Zvedněte jednotku s kartáči (11) sešlápnutím pedálu (6), stiskněte tlačítko kartáčů (41) pro automatickou odinstalaci.

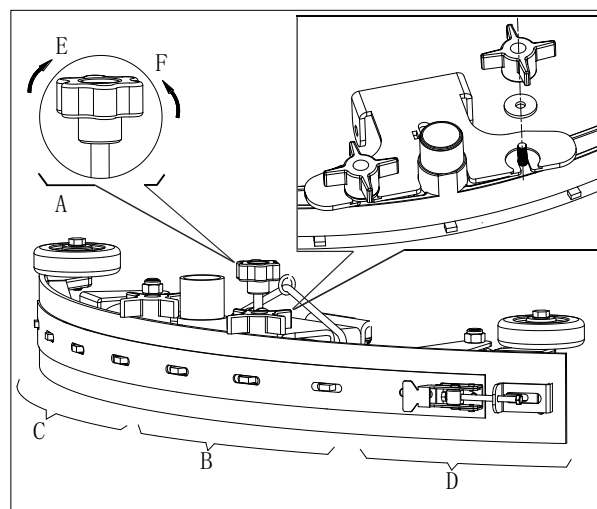


UPOZORNĚNÍ

Před sešlápnutím plynového pedálu (6) otočte regulátorem rychlosti (42) na minimální rychlost, aby přístroj po zapnutí nejel příliš rychle. Před provozem přístroje se ujistěte, že kartáč/podložka jsou nainstalovány správně.

NASTAVENÍ VYVÁŽENÍ SACÍ TRYSKY

1. Nainstalujte sací trysku (13) a utáhněte ovladač sací trysky (20), poté připojte sací hadici (19) k sací trysce.
2. Upravte sací trysku pomocí regulačního kolečka sací trysky (A, Obrázek 7).
 - a) Je-li mezi střední částí zadního listu stěrky (B) a podlahou mezera, otočte regulační kolečko (A) proti směru hodinových ručiček (F), dokud se celá část zadní list stěrky nebude dotýkat podlahy a přední list se bude jemně dotýkat podlahy.
 - b) Je-li mezi oběma konci zadního listu stěrky (C a D), otočte regulační kolečko (A) ve směru hodinových ručiček (E), dokud se nebudou všechny části zadního listu dotýkat podlahy a přední list se bude jemně dotýkat podlahy.



Obrázek 7

PLNĚNÍ NÁDRŽE S ČISTICÍM PROSTŘEDKEM

1. Otevřete kryt přívodu vody (E, Obrázek 8).
2. Skrz otvor přívodu vody s filtrem naplňte vodou nebo příslušným čisticím přípravkem. Teplota čisticího přípravku nesmí přesáhnout +104 F (+40°C).
3. Nádrž nepřepĺňujte, řiďte se indikátorem hladiny vody (G) pro objem vody.



VAROVÁNÍ!

Používejte pouze nízce pěnicí a nehořlavé čisticí prostředky určené pro automatické mycí stroje.

Kontrola hnacího motoru

1. Otočte klíčem zapalování (A, Obrázek 9) do polohy "ON"
2. Lehce sešlápněte pedál plynu (C), poté ho uvolněte, abyste zkontrolovali, zda lze s přístrojem jet vpřed a zda ho lze zastavit.
3. Pro zajištění bezpečnosti se ujistěte, že přístroj lze ihned zastavit stisknutím nouzového tlačítka (B). Pro resetování nouzového tlačítka jím otočte.



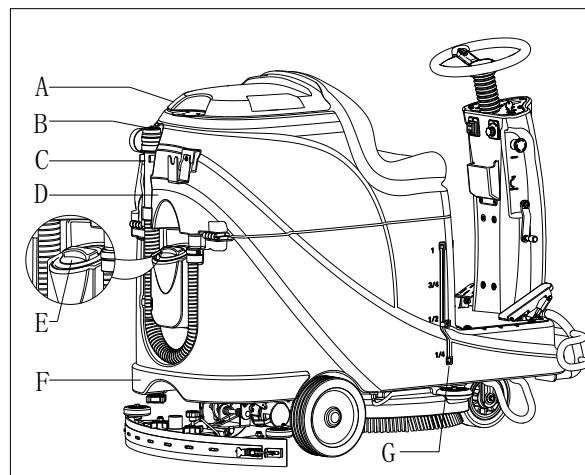
UPOZORNĚNÍ

Kapacita jízdy přístroje do svahu nesmí přesáhnout 10 %.



UPOZORNĚNÍ

Brzda hnacího motoru je uvolněná, pokud motor pracuje normálně, pokud motor přestane pracovat, zablokuje se.



Obrázek 8

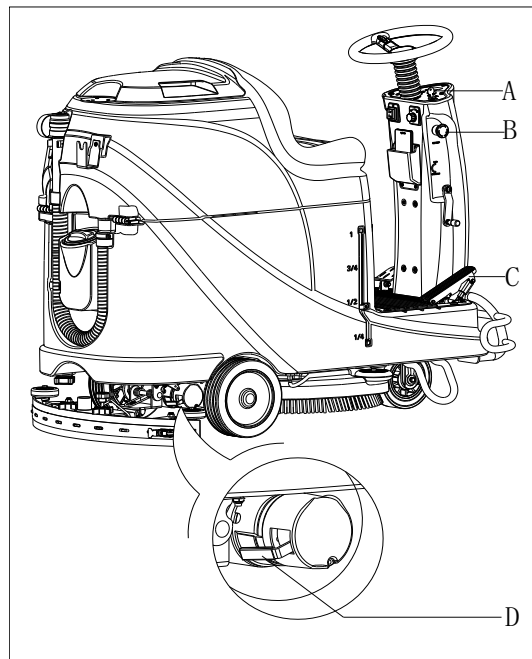
- Uvolněná brzda - rukojeť brzdy (D, Obrázek 9) je umístěna nahoře
 - Zablokovaná brzda - rukojeť brzdy je umístěna níže
- V některých zvláštních případech, jako je balení/vybalení, závada na přístroji atd., je třeba s přístrojem pohybovat bez hnacího motoru v provozu. Pro uvolnění brzdy prosím nastavte brzdou manuálně.

Abyste předešli riziku poranění, ujistěte se, že po pohybu s přístrojem je brzda zpět v zajištěném stavu.

SPUŠTĚNÍ A ZASTAVENÍ PŘÍSTROJE

Spuštění přístroje

1. Připravte přístroj podle pokynů v předchozím odstavci.
2. Posadte se na sedadlo (L, Obrázek 10), vložte klíč zapalování (A) a otočte jím do polohy "ON". Pokud se rozsvítí zelená kontrolka (C), baterie jsou plně nabitě a připravené k použití. Pokud se rozsvítí žlutá (E) či červená kontrolka (D), baterie je nutné před provozem nabít. [viz kapitoly ÚDRŽBA pro nabíjení baterií]
3. Spusťte sací trysku k podlaze.



Obrázek 9



POZNÁMKA

Před pojezdem dozadu se ujistěte, že jednotka s kartáči je zvednutá, jinak se přístroj zastaví a na LED obrazovce se zobrazí "Error" (chyba).

4. Spusťte jednotku s kartáči k podlaze.



POZNÁMKA

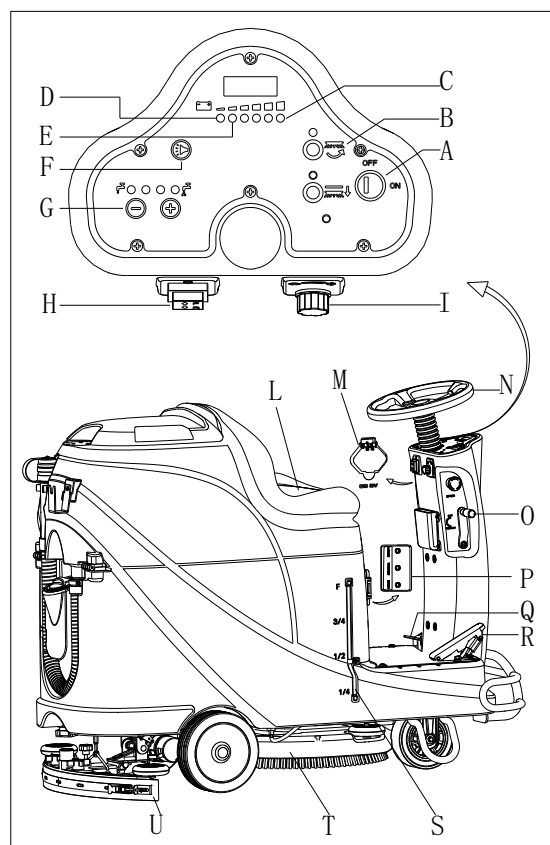
Před zvednutím jednotky s kartáči vypněte tlačítko kartáčů a před pojezdem přístroje vpřed/dozadu zvedněte jednotku s kartáči.

5. Stiskněte tlačítko kartáčů (B)
6. Sešlápněte pedál plynu (R), pomocí volantu (N) a spínače pro pojezd vpřed/dozadu (H) jeďte s přístrojem vpřed či dozadu, pomocí regulátoru rychlosti můžete ovládat rychlost (I).
7. Pomocí regulátoru čisticího prostředku (G) upravte tok čisticího prostředku v závislosti na požadavku čištění.
8. Prostřednictvím USB nabíjecího portu (M) můžete nabít svůj telefon či podložku, pokud je klíč zapalování (A) přepnut do polohy "ON".
9. Stiskněte tlačítko klaksonu (F), pokud je třeba varovat osoby v okolí.
10. V případě potřeby stiskněte nouzové tlačítko pro nouzové zastavení přístroje.



POZNÁMKA

Motor kartáčů, motor sání, hnací motor a ovládací obvod jsou chráněny ochranou proti přetížení (P). Při závadě ochrany proti přetížení ji hned neresetujte dřív, než zjistíte příčinu a ujistěte se, že motor je vychlazený.



Obrázek 10

Zastavení přístroje

11. Uvolněte pedál plynu (R, Obrázek 10), přístroj se zastaví.
12. Stiskněte tlačítko kartáčů (B) pro zastavení motoru kartáčů.
13. Zvedněte jednotku s kartáči (T) sešlápnutím pedálu (Q).
14. Zvednutím/spuštěním páky sací trysky (O) zvedněte sací trysku (U) a o pár vteřin později se systém sání vypne.

15. Otočte klíčem zapalování do polohy "OFF"
16. Ujistěte se, že se přístroj nemůže samovolně pohybovat.

OBSLUHA PŘÍSTROJE (ČIŠTĚNÍ A VYSOUŠENÍ)

1. Spusťte přístroj podle pokynů v předchozích odstavcích.
2. Začněte s čištěním podle pokynů v odstavci "Spuštění přístroje".
3. V případě potřeby přístroj zastavte a upravte sací trysku podle pokynů v odstavci "Nastavení vyvážení sací trysky".



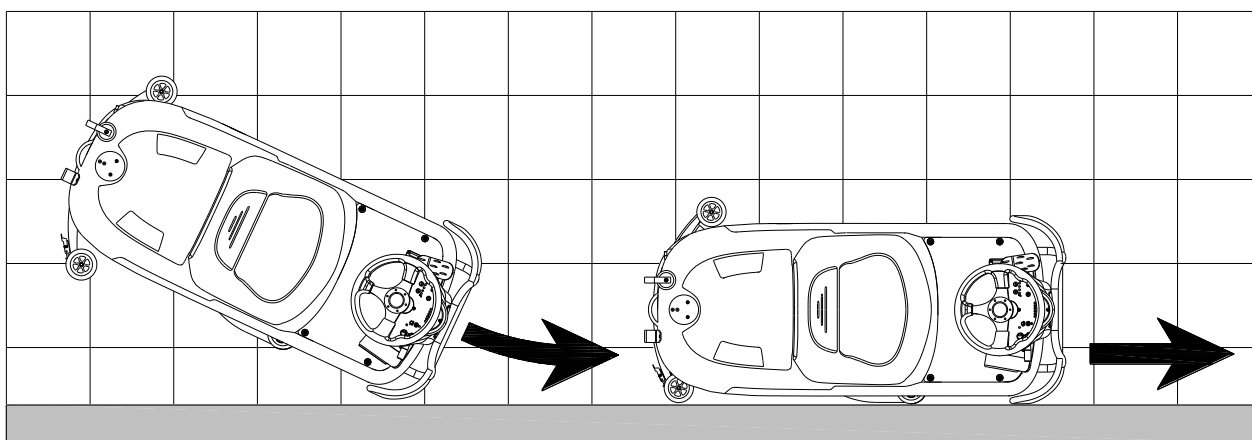
UPOZORNĚNÍ!

Aby nedošlo k poškození podlahy, po zastavení přístroje na jednom místě vypněte držák kartáče/podložky.



POZNÁMKA

Pro správné čištění/vysoušení podlahy po obou stranách zdi doporučujeme jet u zdi pravou stranou přístroje (stranou s nárazníkem), jak je znázorněno na Obrázek 11 níže.



Obrázek 11

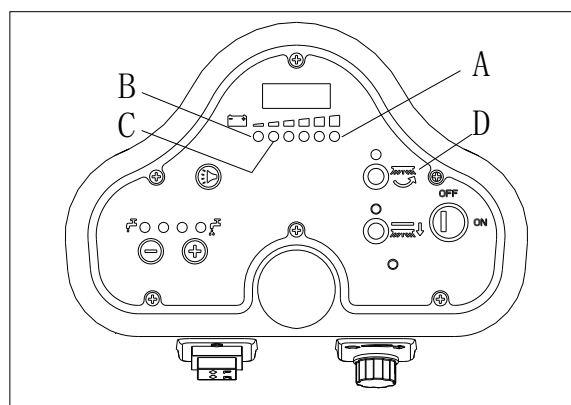
Nabíjení baterie během provozu

Pokud svítí zelená kontrolka (A, Obrázek 12), baterie jsou dostatečně nabitě pro běžný provoz přístroje; pokud zelené kontrolky zhasnou, rozsvítí se žlutá kontrolka (C, Obrázek 12), baterie jsou příliš slabé, prosím nabijte je; pokud bliká červená kontrolka (B, Obrázek 12), baterie je vybitá, motor sání a motor kartáčů se po pár vteřinách automaticky vypnou, prosím ihned přístroj přesuňte na nabíjení baterií.



UPOZORNĚNÍ!

Aby nedošlo k poškození baterií a zkrácení jejich životnosti, přístroj nepoužívejte, pokud jsou baterie opotřebované.



Obrázek 12

VYPRÁZDNĚNÍ NÁDRŽE

Systém automatického vypnutí plováku (B, Obrázek 13) zablokuje sací systém, když je nádrž na obnovu vody (C) plná. Deaktivace sacího systému je signalizována náhlým zvýšením frekvence hlučnosti motoru sacího systému a tím, že podlaha není suchá.



POZOR!

Pokud se sací systém náhodou vypne (například když se aktivuje plovák v důsledku náhlého pohybu přístroje), činnost obnovíte následovně: vypněte sací systém stisknutím spínače (D, Obrázek 12), poté otevřete kryt (A, Obrázek 11) a zkontrolujte, zda plovák uvnitř mřížky (B) spadl na vodní hladinu. Poté zavřete kryt (A) a zapněte sací systém stisknutím spínače (D, Obrázek 12).

Pokud je nádrž na obnovu vody (C, Obrázek 13) plná, vyprázdněte ji podle následujícího postupu.

Vyprázdnění nádrže na obnovu vody

1. Zastavte přístroj.
2. Sešlápnutím pedálu (G) zvedněte jednotku držáku kartáče/podložky (H, Obrázek 12).
3. Pomocí páky zvedněte sací trysku (H).
4. Přesuňte přístroj na určené místo pro vyprázdnění obsahu.
5. Pomocí hadičky (D) nádrž na obnovu vody vyprázdněte. Poté nádrž vypláchněte čistou vodou.



UPOZORNĚNÍ!

Při vypouštění špinavé vody musí být vypouštěcí hadice složená (A, Obrázek 14) a v nízké poloze (B, Obrázek 14), než otevřete krytku vypouštěcí hadice. Výpust vypouštěcí hadice nezvedejte, aby nedošlo k polížení obsluhy špinavou vodou.

Vyprázdnění nádrže s čisticím prostředkem/čistě vody

6. Provedte kroky 1 až 4 podle kapitoly "Vyprázdnění nádrže na obnovu vody".
7. Vyprázdněte nádrž s čisticím prostředkem přes vypouštěcí otvor (A, Obrázek 15). Poté nádrž vymyjte čistou vodou.

PO POUŽITÍ PŘÍSTROJE

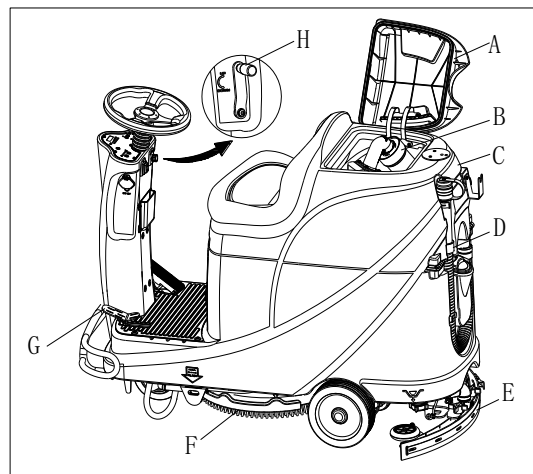
Po práci a před opuštěním přístroje:

1. Odstraňte držáky kartáče/podložky.
2. Vyprázdněte nádrže (B a C, Obrázek 15), jak je popsáno v předchozím odstavci.
3. Provedte denní úkony údržby (viz kapitola Údržba).
4. Uložte přístroj na čisté a suché místo, s držákem kartáče/podložky a se zvednutou sací tryskou nebo ji odstraňte.

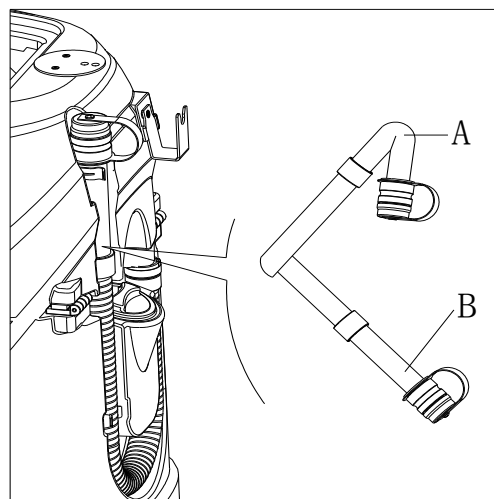
DLOUHÁ NEČINNOST PŘÍSTROJE

Pokud přístroj nebudete používat po dobu delší než 30 dní, postupujte následovně:

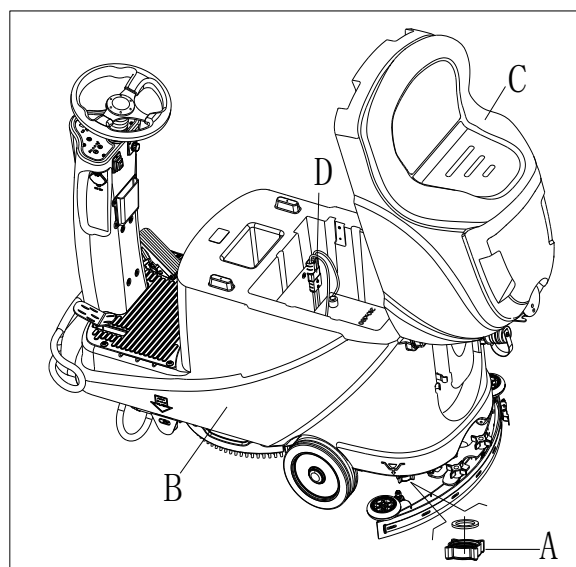
1. Provedte pokyny uvedené v odstavci "PO POUŽITÍ PŘÍSTROJE".
2. Odpojte konektor baterie (D, Obrázek 15).



Obrázek 13



Obrázek 14



Obrázek 15

PRVNÍ POUŽITÍ PŘÍSTROJE

Po prvních devíti hodinách použití přístroje prosím zkontrolujte, zda přístroj nejeví známky poškození či abnormálního provozu. Zkontrolujte, zda nejsou uzávěry či doplňky uvolněné.

ÚDRŽBA



VAROVÁNÍ!

Úkony údržby se musí provádět po vypnutí přístroje a odpojení kabelu nabíječky baterií. Dále si pečlivě přečtěte kapitoly týkající se bezpečnosti uvedené v tomto návodu.

Všechny postupy plánované nebo mimořádné údržby musí provádět kvalifikovaný personál či autorizované servisní středisko. Tento návod popisuje pouze obecné a běžné úkony údržby.

Pro ostatní úkony údržby neuvedené v následující tabulce plánované údržby si přečtěte servisní příručku, kterou lze konzultovat v jakémkoli servisním středisku naší společnosti.

TABULKA PLÁNOVANÉ ÚDRŽBY



UPOZORNĚNÍ!

Úkon označený (1) musí být proveden po prvních 9 hodinách použití přístroje.

Úkon označený (2) musí provést servisní středisko kvalifikované naší společností.

Úkon	Každý den, po každém použití	Každý týden	Každých 6 měsíců	Každý rok
Nabíjení baterií				
Čištění sací trysky				
Čištění držáku kartáče/podložky				
Čištění nádrže				
Kontrola těsnění nádrže				
Čištění filtru plováku				
Kontrola a výměna chlopní sací trysky				
Čištění vodního filtru				
Čištění sacího filtru				
Kontrola hladiny kapaliny MOKRÉ baterie				
Kontrola dotažení matic a šroubů			(1)	
Kontrola či výměna motorového uhlíkového držáku kartáče/podložky				(2)
Kontrola či výměna uhlíkového kartáče motoru sání				(2)
Zkontrolujte nebo vyměňte uhlíkový kartáč motoru hnacího systému (pouze u přístrojů s pohonem).				(2)
Promazání rotujících částí			(1)	

NABÍJENÍ BATERIÍ



POZNÁMKA

Prosím nabíjte baterie, když svítí žlutá (32) či červená LED kontrolka (33) nebo na konci každého pracovního cyklu.



UPOZORNĚNÍ

Udržováním baterie v plně nabitém stavu prodloužíte její životnost.



UPOZORNĚNÍ

Je-li baterie téměř vybitá, co nejdříve ji nabíjte, jinak by mohlo dojít ke snížení její životnosti. Je lepší baterii kontrolovat alespoň jednou týdně.

**UPOZORNĚNÍ!**

Při nabíjení baterie buďte obzvláště opatrní, protože při nabíjení může dojít k úniku kyseliny.

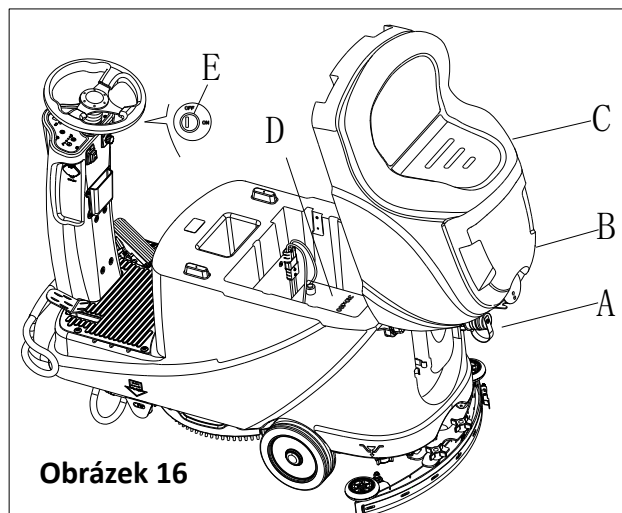
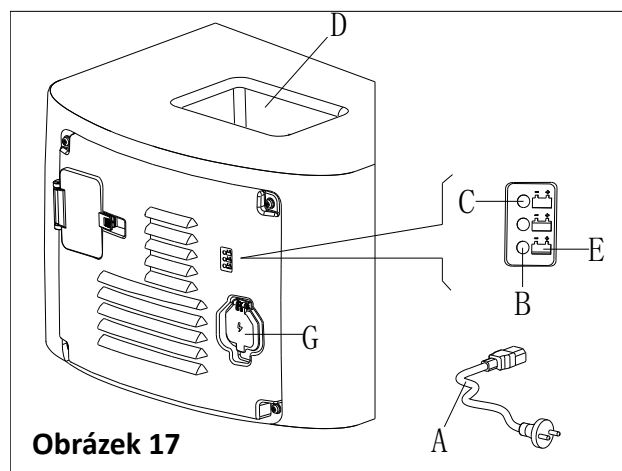
Kyselina baterie je korozivní. Pokud dojde k náhodnému kontaktu s kůží či očima, ihned je vypláchněte čistou vodou a vyhledejte lékařskou pomoc.

Přípravné kroky k nabíjení baterií

1. Otevřete víko nádrže na obnovu vody (B, Obrázek 16) a zkontrolujte, zda je nádrž na obnovu vody (C) prázdná nebo ji vyprázdněte skrz vypouštěcí hadici (A).
2. Přesuňte přístroj na místo určené pro nabíjení.
3. Klíč zapalování přepněte do polohy "OFF".
4. Tento krok platí pouze pro MOKRÉ baterie:
 - Vyčistěte povrch baterií.
 - Zkontrolujte hladinu elektrolytu baterií (D), otevřete víko pro doplnění elektrolytu a pak ho zavřete.
 - Během nabíjení nechte víko otevřené.
5. Vyberte jeden z níže uvedených režimů nabíjení v závislosti na vybraném typu nabíječky.

Použití palubní nabíječky pro nabíjení baterií

6. Připojte kabel nabíječky baterií (A, Obrázek 17) k elektrické přípojce (G) a poté se veškeré funkce přístroje kromě nabíjení automaticky vypnou. Červená LED kontrolka (B) značí průběh procesu nabíjení.
7. Baterie jsou plně nabitě, pokud se rozsvítí zelená LED kontrolka (C).
8. Po dokončení nabíjení baterií odpojte kabel nabíječky baterií od elektrické přípojky a poté ho uložte do prostoru k uložení kabelu (D).

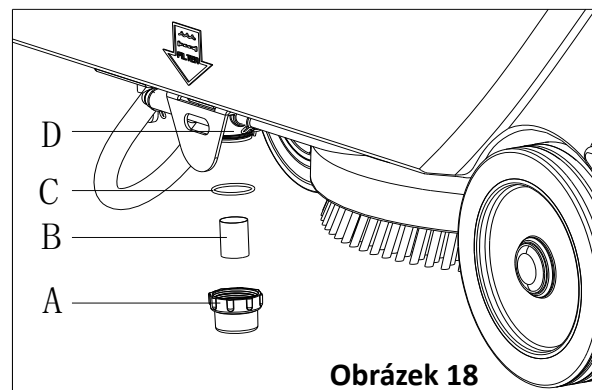
**Obrázek 16****Obrázek 17****POZNÁMKA**

Další informace o palubní nabíječce (E, Obrázek 17) naleznete v příslušném manuálu od servisního centra.

ČIŠTĚNÍ KARTÁČE/PODLOŽKY**UPOZORNĚNÍ!**

Při čištění držáku kartáče/podložky se doporučuje nosit rukavice, protože byste se mohli pořezat o ostré části.

1. Sejměte držák kartáče/podložky z jednotky dle postupu uvedeného v předchozích oddílech.
2. Vyčistěte držák kartáče/podložky vodou a čisticím prostředkem.
3. Zkontrolujte, zda není kartáč porušen či opotřebován a v případě potřeby ho vyměňte.
4. Zkontrolujte, zda není leštící podložka opotřebována a v případě potřeby ji vyměňte.

**Obrázek 18**

ČIŠTĚNÍ FILTRU NÁDRŽE S ČISTICÍM PROSTŘEDKEM

1. Přesuňte přístroj na rovný povrch.
2. Ujistěte se, že je přístroj vypnutý.
3. Vyprázdněte nádrž s čisticím prostředkem (volitelný krok).
4. Sejměte kryt filtru nádrže s čisticím prostředkem (A, Obrázek 18) pro vyčištění síta filtru (B) a pak ho nasadte zpět na držák filtru (D).



POZNÁMKA

Síto filtru (B) je třeba správně nasadit na pouzdro držáku filtru (D).

ČIŠTĚNÍ SACÍ TRYSKY



POZNÁMKA

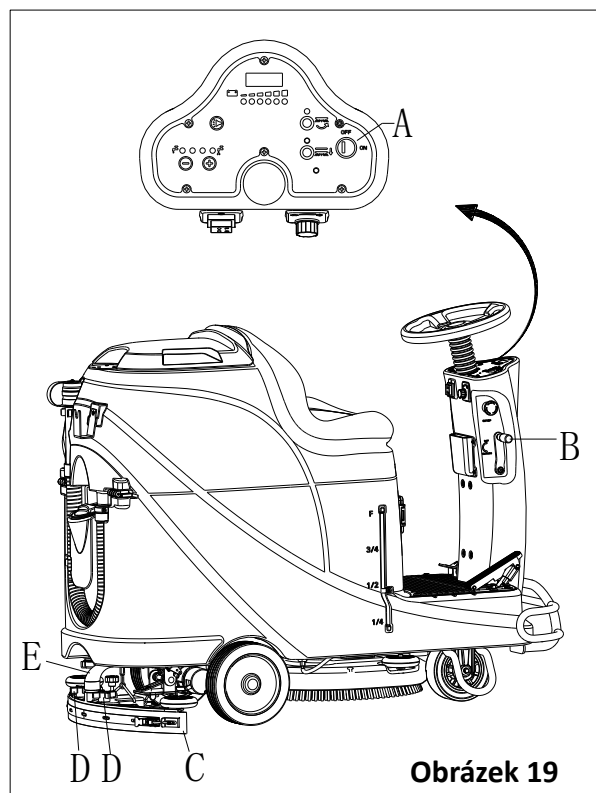
Sací tryska musí být čistá a její chlopně musí být v dobrém stavu, aby bylo dosaženo dobrého sušení.



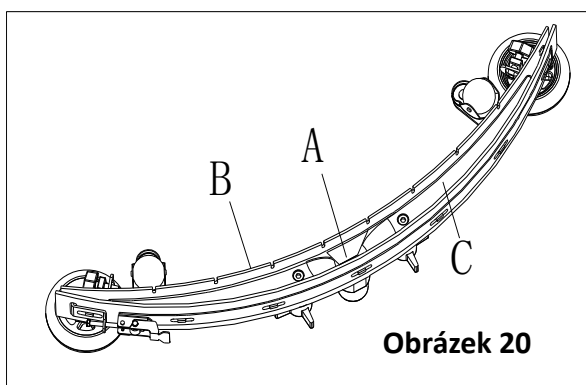
POZOR!

Při čištění sací trysky doporučujeme používat ochranné rukavice, protože na stěrce může být zachycen ostrý odpad.

1. Přesuňte přístroj na rovný povrch.
2. Otočte klíčem zapalování (A, Obrázek 19) do polohy "OFF".
3. Pomocí páky (C) spusťte sací trysku (B) dolů.
4. Uvolněte knoflíky (D) a sací trysku sejměte.
5. Odpojte sací hadici (E) od sací trysky.
6. Vyčistěte ocelovou či hliníkovou sací trysku, především prostory (A, Obrázek 20) a otvory (B). Zkontrolujte, zda není přední chlopně (B) a zadní chlopně (C) poškozena, vyměňte je podle pokynů v následujícím odstavci.
7. Namontujte sací trysku v opačném pořadí postupu pro demontáž.



Obrázek 19



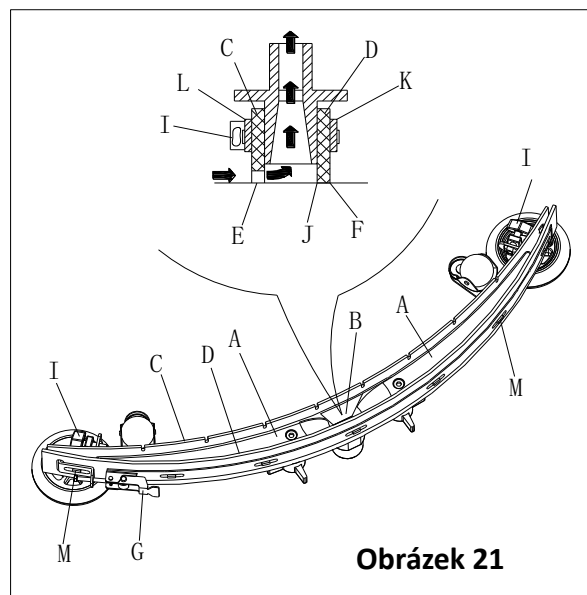
Obrázek 20

KONTROLA A VÝMĚNA CHLOPNĚ STĚRKY

1. Vyčistěte ocelovou nebo hliníkovou stěrku, jak je popsáno v předchozím odstavci.
2. Zkontrolujte, zda jsou hrany (E, Obrázek 21) přední chlopně (C) a hrany (F) zadní chlopně (D) stejně vysoké po celé délce; v případě potřeby upravte jejich výšku podle následujícího postupu:
 - Odstraňte táhlo (G), odpojte upevňovací díly (M) a upravte zadní chlopně (D), poté nasadte upevňovací díly (M) a nainstalujte táhlo (G).
 - Uvolněte knoflíky (I) a upravte zadní chlopně (C), poté utáhněte knoflíky.
3. Zkontrolujte přední chlopně (C) a zadní chlopně (D), zda na nich nejsou trhliny a zářezy; podle potřeby je vyměňte podle následujícího postupu. Zkontrolujte, zda není přední roh (J) zadní chlopně (D) opotřebený; v případě potřeby obraťte chlopně a vyměňte opotřebený roh za jiný. Pokud jsou ostatní hrany také opotřebené, vyměňte chlopně podle následujícího postupu:
 - Odstraňte táhlo (G), odpojte upevňovací díly (M) a odstraňte přídržný pás (K), poté vyměňte/otočte zadní chlopně (D). Sestavte chlopně v opačném pořadí demontáže.
 - Odšroubujte knoflíky (I) a odstraňte přídržný pás (L), poté vyměňte přední chlopně (C). Sestavte chlopně v opačném pořadí demontáže. Po výměně (nebo otočení) chlopně nastavte výšku, jak je uvedeno v předchozím kroku.
4. Připojte sací hadici (A, Obrázek 22) k sací trysce.
5. Nainstalujte sací trysku (B) a našroubujte knoflíky (C).
6. V případě potřeby upravte sací trysku regulačním kolečkem pro vyrovnání (D).

ČIŠTĚNÍ MŘÍŽKY NÁDRŽE A SÁNÍ S PLOVÁKOVÝM VENTILEM A KONTROLA TĚSNĚNÍ KRYTU

1. Přesuňte přístroj na rovný povrch.
2. Ujistěte se, že je přístroj vypnutý a byl vyjmut klíč zapalování (40).
3. Otočte víko nádrže na obnovu vody (A, Obrázek 23) o 90 stupňů tak, abyste ho mohli z nádrže sejmut a poté z nádrže odstraňte filtr plováku (P).
4. Vyčistěte víko nádrže na obnovu vody (A), nádrž na obnovu vody (B), nádrž čisté vody (C) a podpěru filtru plováku (E). Vyprázdněte nádrž na obnovu vody pomocí vypouštěcí hadice (15).
5. V případě potřeby dle symbolů "OPEN" (Otevřít) a "CLOSE" (Zavřít), jak je znázorněno na Obrázek 23, otevřete spodní víko (F) filtru plováku a poté vyčistěte plovák (D), podpěru filtru (E) a houbu filtru (I). Po vyčištění upevněte plovák (D) na podpěru filtru plováku (E) a srovnajte značku na drážce (L) spodního víka (F) filtru plováku se značkou na drážce (L) podpěry filtru plováku (E). Pevně našroubujte spodní víko filtru plováku a upevněte houbu filtru (I) na podpěru filtru plováku (E). Nakonec ho připojte k sací trubici na dopad (M).
6. Zkontrolujte utěsnění těsnicího pásku nádrže.



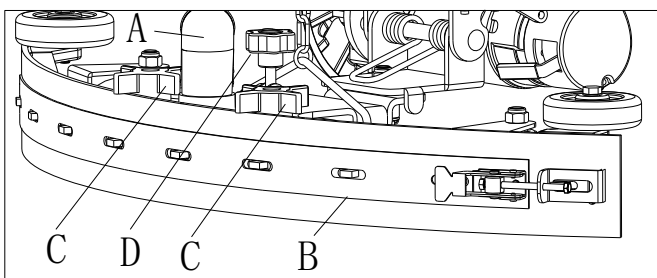
Obrázek 21



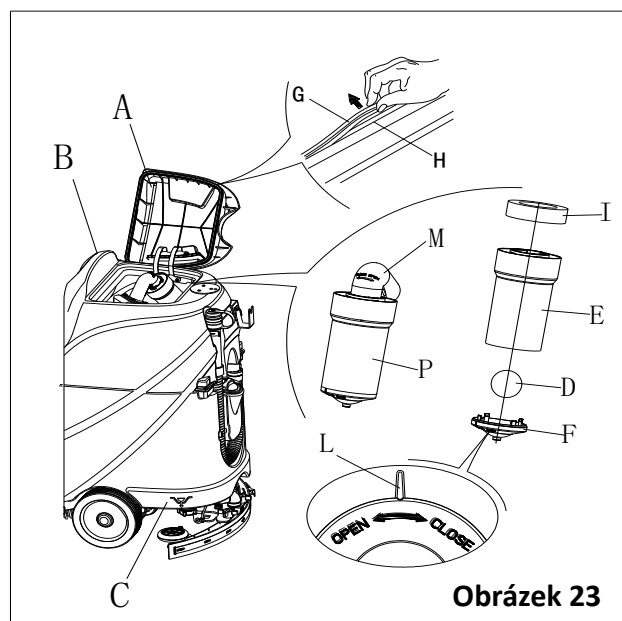
POZNÁMKA

Těsnicí pásek nádrže (G) by měl při chodu motoru sání vytvořit v nádrži vakuum. Řádně utěsněná nádrž může efektivně absorbovat vodu z podlahy do nádrže na obnovu vody.

7. Zkontrolujte, zda je povrch těsnicího pásku (G) neporušený a zda náležitě těsní. V případě potřeby sejměte z drážky (H) nádrže těsnicí pásek a vyměňte ho. Nasadte nový těsnicí pásek tak, jak je znázorněno na (Obrázek 23). Spoj by měl být ve střední části.
8. Zavřete víko nádrže na obnovu vody (A).



Obrázek 22



Obrázek 23

KONTROLA/VÝMĚNA POJISTKY

- Otočte klíčem zapalování (D, Obrázek 24) do polohy "OFF".
- Odpojte kabel baterie.
- Vyjměte šrouby (C) na ovládacím panelu, poté otočte desku plošných spojů a vyhledejte pojistku (A a B).
- Zkontrolujte/vyměňte pojistky:
 - F1 je nízkonapěťová pojistka (5A)
 - F3 je pojistka pro demontáž kartáčů (20A)
- Po kontrole/výměně proveďte kroky pro demontáž v opačném pořadí.
- Zkontrolujte či resetujte ochranu proti přetížení motoru.
 - F5 je ochrana proti přetížení motoru sání (30A)
 - F4 je ochrana proti přetížení hnacího motoru (30A)
 - F2 je ochrana proti přetížení motoru kartáčů (30A)

PŘÍSLUŠENSTVÍ/MOŽNOSTI

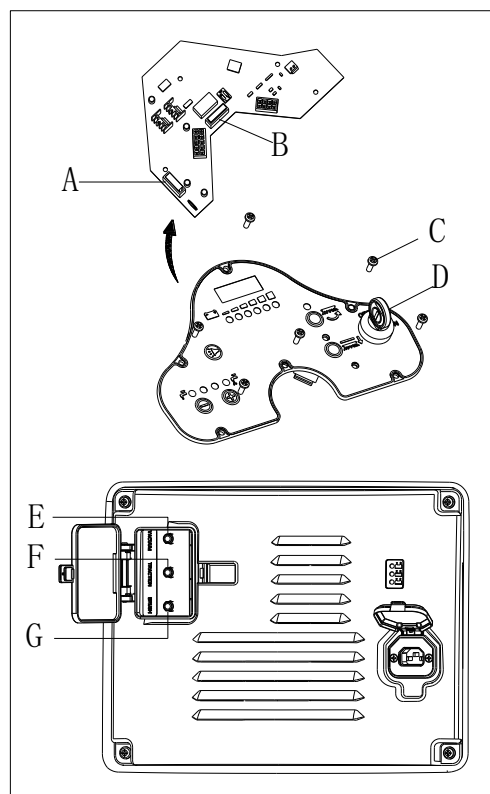
Kromě standardních dílů může být přístroj vybaven následujícím příslušenstvím/možnostmi v závislosti na konkrétním použití.

Pro další informace týkající se volitelného příslušenství se obraťte na autorizovaného prodejce.

PŘÍSLUŠENSTVÍ/MOŽNOSTI

Naleznete v části "Seznam náhradních dílů"

- GELOVÉ/AGM baterie
- Podložky z různých materiálů



Obrázek 24

ŘEŠENÍ POTÍŽÍ

Problém	Možné příčiny	Řešení
Motory nefungují; nesvítí žádná kontrolka (C9)	Konektor baterie je odpojen	Připojte konektor baterie
	Baterie jsou zcela vybité	Nabijte baterie
Přístroj nepracuje, svítí červená kontrolka kapacity baterie (C8)	Stav baterie je příliš nízký	Nabijte baterie
Přístroj nejede vpřed / dozadu	Závada na desce s řídicími obvody	Vyměňte desku s řídicími obvody
	Závada na ovladači hnacího motoru	Viz "INDIKACE CHYBOVÝCH HLÁŠENÍ HNACÍHO MOTORU "
	Obsluha nesedí na sedadle	Posaďte se na sedadlo
	Sací tryska není při pojezdu dozadu zvednutá	Zvedněte sací trysku
Motor kartáčů nefunguje	Závada na desce s řídicími obvody	Vyměňte desku s řídicími obvody
	Přetížení motoru kartáčů	K čištění použijte kartáč s jemnými štětinami a resetujte ochranu proti přetížení motoru kartáčů
	Závada na stykači motoru kartáčů	Kontaktujte poprodejní služby
	Uhlíkový kartáč motoru kartáčů je opotřebovaný	Kontaktujte poprodejní služby
	Rotaci kartáčů brání překážka	Vyčistěte kartáč
Hnací motor nefunguje	Svítí kontrolka hnacího motoru	Viz "INDIKACE CHYBOVÝCH HLÁŠENÍ HNACÍHO MOTORU "
	Přetížení hnacího motoru	Resetujte ochranu proti přetížení hnacího motoru a zkontrolujte hnací motor/obvod
Motor sání nefunguje	Přetížení motoru sání	Resetujte ochranu proti přetížení motoru sání a zkontrolujte motor sání

	Závada na relé motoru sání	Kontaktujte poprodejní služby
	Závada na řídicím panelu	Vyměňte řídicí panel
Špatný sací výkon, podlahu nelze usušit	Nádrž na obnovu vody je plná	Vyprázdněte nádrž na obnovu vody
	Špatné připojení vypouštěcí hadice a sací trysky	Připojte vypouštěcí hadici a sací trysku správně
	Plovákový filtr je ucpaný	Vyčistěte plovákový filtr a zkontrolujte polohu plováku
	Sací tryska je špinavá či opotřebená	Zkontrolujte a vyčistěte sací trysku
	Výkon nádrže na obnovu vody není řádně uzavřeno, je poškozené těsnění nebo je ucpaná trubička	Zavřete víko správně, vyměňte těsnění nebo vyčistěte trubičku.
	Nádrž na obnovu vody je špinavá	Vyčistěte nádrž na obnovu vody
	Nedostatečný přísun čisticího prostředku k jednotce s kartáči	Filtr nádrže s čisticím prostředkem je špinavý
Svítil kontrolka prázdné nádrže s čisticím prostředkem		Doplňte čisticí prostředek do nádrže
Nádrž s čisticím prostředkem je příliš špinavá		Vyčistěte nádrž s čisticím prostředkem
Sací tryska zanechává na podlaze šmouhy	Pod chlopni stěrky jsou nečistoty	Odstraňte nečistoty
	Chlopeň stěrky je opotřebená či poškozená	Vyměňte chlopně stěrky
	Sací tryska není dobře vyvážená	Upravte vyvážení sací trysky
Závada na brzdě hnacího motoru	Brzda je zajištěná	Uvolněte brzdu

INDIKACE CHYBOVÝCH HLÁŠENÍ HNACÍHO MOTORU

LED KÓDY		ZÁVADA	MOŽNÁ PŘÍČINA
1.1	○○○	TEPLOTNÍ ZÁVADA	1. Teplota >80°C nebo <-10°C. 2. Nadměrná zátěž přístroje. 3. Provoz v extrémních podmínkách. 4. Elektromagnetickou brzdu nelze uvolnit.
1.2	○○○○	ZÁVADA VENTILU	1. Vstupní kabel ventilu je poškozen či zkratován. 2. Potenciometr ventilu je vadný. 3. Vybrán špatný typ ventilu.
1.3	○○○○○	ZÁVADA POT. RYCHLOSTI	1. Kabel potenciometru omezení rychlosti je poškozen či zkratován. 2. Rozbitý potenciometr omezení rychlosti.
1.4	○○○○○○	ZÁVADA PODPĚTÍ	1. Napětí baterie <17 voltů. 2. Špatné připojení na baterii či ovladači.
1.5	○○○○○○○	ZÁVADA PŘEPĚTÍ	1. Napětí baterie >31 voltů. 2. Příklad je provozován s připojenou nabíječkou. 3. Přerušované připojení baterie.
2.1	○○○○	ZÁVADA VYPNUTÍ HLAVNÍ JEDNOTKY	1. Hlavní ovladač stykače se neotevřel.
2.3	○○○○○○	ZÁVADA HLAVNÍ JEDNOTKY *	1. Hlavní stykač je svařený nebo zůstal otevřený. 2. Závada na ovladači hlavního stykače.
2.4	○○○○○○○	ZÁVADA ZAPNUTÍ HLAVNÍ JEDNOTKY	1. Hlavní ovladač stykače se nezavřel.
3.1	○○○○○	ZÁVADA ELEKTROINSTALACE *	1. Chybně nastavený ventil. 2. Špatný potenciometr ventilu či mechanismus ventilu.
3.2	○○○○○○	ZÁVADA ZAPNUTÉ BRZDY	1. Elektromagnetický ovladač brzdy je zkratován. 2. Elektromagnetická brzdová cívka je otevřená.
3.3	○○○○○○○	ZÁVADA PŘEDNABITÍ *	1. Ovladač brzdy je zkratován. 2. Obvod přednabití je poškozen.. 3. Závada na MOSFETu.

3.4	□□□□□□□□	ZÁVADA VYPNUTÉ BRZDY	1. Elektromagnetický ovladač brzdy je otevřený. 2. Elektromagnetická brzdová cívka je zkratovaná.
3.5	□□□□□□□□	ZÁVADA HPD	1. Nevhodná sekvence ventilu a KSI, tlačítka či zamezujících vstupů. 2. Nesprávně nastavený potenciometr ventilu.
4.1	□□□□□	ZÁVADA SNÍMAČE *	1. Zkrat v motoru či elektroinstalaci motoru. 2. Závada na ovladači.
4.2	□□□□□□	ZÁVADA HARDWARU *	1. Napětí motoru neodpovídá požadavku na ventil. 2. Zkrat v motoru či v elektroinstalaci motoru. 3. Závada na ovladači.
4.3	□□□□□□□	ZÁVADA KONTROLNÍHO SOUČTU EEPROM †	1. Závada či selhání EEPROMu.
4.5	□□□□□□□□□□	ZÁVADA ODPOJENÉ BATERIE *	1. Baterie není připojená. 2. Špatné připojení ke svorkám baterie.

* = Pro smazání je nutné použít přepínač kláves cyklů.

† = Pro smazání je nutný programátor, postup je následující: vyberte nabídku Program, změňte hodnotu dat jakéhokoli parametru, přepínač kláves cyklů.



POZNÁMKA

Přístroj vybavený palubní nabíječkou nebude fungovat, pokud dojde k poruše palubní nabíječky. Prosím kontaktujte naše kvalifikované servisní středisko.

LIKVIDACE

K likvidaci použijte kvalifikované zařízení pro likvidaci odpadu.

Před likvidací přístroje prosím vyjměte a oddělte níže uvedené materiály, které musí být řádně recyklovány dle příslušných zákonů a předpisů.

- Baterie
- Držák kartáče/podložky
- Plastové hadice a plastové součásti
- Elektrické a elektronické součásti (*)

(*) Ohledně informací o likvidaci jakýchkoli elektrických a elektronických součástek prosím kontaktujte naše servisní středisko.

SPIS TREŚCI

WPROWADZENIE	309
PRZEZNACZENIE INSTRUKCJI.....	309
PRZECHOWANIE INSTRUKCJI	309
DEKLARACJA ZGODNOŚCI	309
AKCESORIA I KONSERWACJA	309
ZMIANY I MODERNIZACJE.....	309
ZASTOSOWANIE.....	309
DANE IDENTYFIKACYJNE MASZINY	309
TRANSPORT I ODPAKOWANIE	309
BEZPIECZEŃSTWO	310
SYMBOLE W INSTRUKCJI UŻYTKOWANIA	310
OGÓLNA INSTRUKCJA BHP.....	310
OPIS URZĄDZENIA.....	312
BUDOWA URZĄDZENIA	312
PANEL STEROWANIA	313
INFORMACJE Z WYŚWIETLACZA LED	313
OKIENKO KONTROLEK ŁADOWARKI AKUMULATORÓW	313
PARAMETRY TECHNICZNE.....	314
SCHEMAT ELEKTRYCZNY	315
SPOSÓB UŻYCIA	317
INSTALACJA I USTAWIENIE AKUMULATORA W NOWYM URZĄDZENIU	317
ZAKŁADANIE I USTAWIANIE TYPU AKUMULATORÓW (MOKRE LUB ŻELOWE/AGM)	317
WYŁĄCZANIE AWARYJNE	319
INSTALACJA I DEMONTAŻ SZCZOTKI/PADA	319
POZIOMOWANIE ŚCIĄGACZKI	320
NAPEŁNIANIE ZBIORNIKA NA ROZTWÓR	320
URUCHAMIANIE I ZATRZYMYWANIE URZĄDZENIA	321
EKSPLOATACJA URZĄDZENIA (CZYSZCZENIE SZCZOTKĄ I SUSZENIE)	322
OPRÓŻNIANIE ZBIORNIKA	323
NA ZAKOŃCZENIE PRACY	323
DŁUŻSZY BRAK AKTYWNOŚCI URZĄDZENIA	323
PIERWSZE UŻYCIE	324
KONSERWACJA	324
HARMONOGRAM PRZEGLĄDÓW	324
ŁADOWANIE AKUMULATORÓW	324
CZYSZCZENIE SZCZOTKI/PADA	325
CZYSZCZENIE FILTRA ROZTWORU MYJĄCEGO	326
CZYSZCZENIE ŚCIĄGACZKI	326
KONTROLA I WYMIANA PIÓRA ŚCIĄGACZKI	326
CZYSZCZENIE FILTRA (SIATKOWEGO Z KULKĄ) ZBIORNIKA I ODKURZACZA ORAZ KONTROLA USZCZELKI POKRYWY	327
KONTROLA I WYMIANA BEZPIECZENIKÓW	328
AKCESORIA/OPCJE	328
USUWANIE USTEREK	328
UTYLIZACJA.....	330

WPROWADZENIE



INFORMACJA

Liczby w nawiasach odnoszą się do elementów pokazanych w rozdziale Opis maszyny.

PRZEZNACZENIE INSTRUKCJI

Celem niniejszej instrukcji jest przekazanie operatorom niezbędnych informacji potrzebnych do właściwego i bezpiecznego użytkowania urządzenia. Zawiera informacje odnośnie danych technicznych, bezpieczeństwa, obsługi, przechowania, konserwacji, części zamiennych i utylizacji.

Przed wykonaniem jakiegokolwiek procedury przy urządzeniu, operatorzy jak i wykwalifikowani technicy muszą zapoznać się z tą instrukcją. W przypadku pytań prosimy o kontakt z centrum obsługi naszej firmy.

Operatorom nie wolno wykonywać czynności przewidzianych dla wykwalifikowanego technika. Nasza firma nie odpowiada za wszelkie szkody powstałe w wyniku nieprzestrzegania powyższego zakazu.

PRZECHOWYWANIE INSTRUKCJI

Instrukcję należy przechowywać w pobliżu urządzenia, w odpowiednim schowku, zabezpieczoną przed płynami i innymi substancjami, które mogłyby ją zniszczyć.

DEKLARACJA ZGODNOŚCI

Deklaracja zgodności dołączona do urządzenia potwierdza zgodność maszyny z obowiązującymi przepisami.



INFORMACJA

Do dokumentacji maszyny dołączono dwa oryginalne egzemplarze deklaracji zgodności.

AKCESORIA I KONSERWACJA

Czynności obsługowe, konserwacyjne i naprawy może prowadzić tylko wykwalifikowany personel albo punkt serwisowy wyznaczony przez naszą firmę. Należy używać TYLKO oryginalnych części zamiennych i akcesoriów.

W celu uzyskania serwisu lub nabycia akcesoriów bądź części zamiennych, prosimy o kontakt z naszym centrum obsługi klienta.

ZMIANY I MODERNIZACJE

Nasza firma stale ulepsza swoje produkty i zastrzega sobie prawo do wprowadzania zmian i modernizacji bez dodatkowego informowania o tym.

ZASTOSOWANIE

Szczotka nadaje się do użytku komercyjnego i przemysłowego. Służy do czyszczenia gładkich i twardych podłóg i musi być obsługiwana przez wykwalifikowany personel, w bezpiecznym otoczeniu. Nie nadaje się do użytkowania na zewnątrz, ani do czyszczenia wykładzin lub podłóg o szorstkiej powierzchni.

DANE IDENTYFIKACYJNE MASZINY

Model oraz numer seryjny urządzenia znajduje się na tabliczce znamionowej.

To ważne informacje. Prosimy w tabeli poniżej wpisać te dane, bo będą potrzebne przy zamawianiu części zamiennych.

MODEL MASZINY.....
NUMER SERYJNY MASZINY.....

TRANSPORT I ODPAKOWANIE

Po dotarciu urządzenia na miejsce, sprawdzić czy opakowanie i maszyna nie uległy uszkodzeniu w czasie transportu. W przypadku stwierdzenia jakichkolwiek uszkodzeń, prosimy o zgłoszenie tego przewoźnikowi oraz o zastrzeżenie sobie prawa do rekompensaty przed przyjęciem towaru.

Podczas odpakowywania maszyny, ściśle przestrzegać zaleceń znajdujących się na opakowaniu.

Sprawdzić czy opakowanie zawiera:

1. Dokumentację techniczną, na którą składa się instrukcja obsługi oraz instrukcja obsługi wbudowanej ładowarki, o ile jest na wyposażeniu.
2. Kabel ładowarki (o ile wbudowana ładowarka jest na wyposażeniu).

BEZPIECZEŃSTWO

Poniższe symbole wskazują na potencjalne niebezpieczeństwo. Zawsze czytać tak oznakowane informacje i przedsięwziąć wszelkie środki ostrożności w celu ochrony ludzi i mienia.

SYMBOLE W INSTRUKCJI UŻYTKOWANIA



NIEBEZPIECZEŃSTWO!

Wskazuje na wystąpienie niebezpiecznej sytuacji, śmiertelnie zagrażającej operatorowi.



OSTRZEŻENIE!

Wskazuje na potencjalne ryzyko powstania uszczerbku na zdrowiu ludzi.



UWAGA!

Wskazuje na ostrzeżenie lub informację dotyczącą jakiejś ważnej lub użytecznej funkcji. Zwracać uwagę na akapity z tym znakiem w tekście.



INFORMACJA

Wskazuje na informację dotyczącą jakiejś ważnej lub użytecznej funkcji.



SPRAWDZIĆ

Wskazuje na konieczność zajrzenia do Instrukcji użytkownika przed wykonaniem czynności.

OGÓLNA INSTRUKCJA BHP

Poniżej przedstawiono specyficzne ostrzeżenia informujące o możliwości doznania uszczerbku na zdrowiu lub uszkodzenia maszyny.



NIEBEZPIECZEŃSTWO!

- Maszynę może obsługiwać tylko przeszkolony i upoważniony personel, zgodnie z wytycznymi tej instrukcji.
- Przed przystąpieniem do jakiegokolwiek procedury czyszczenia, konserwacji, naprawy lub wymiany, należy uważnie przeczytać instrukcję, sprawdzić czy urządzenie jest wyłączone i odłączone od akumulatora.
- Nie eksploatować urządzenia w obecności pyłów, cieczy lub oparów trujących, niebezpiecznych, palnych i/lub wybuchowych. Urządzenie nie nadaje się do zbierania niebezpiecznych pyłów.
- Nie nosić biżuterii przy pracy w pobliżu części elektrycznych.
- Nie pracować pod uniesionym urządzeniem, jeśli nie zostało bezpiecznie podparte.
- Jeśli stosuje się akumulatory kwasowe mokre, które w normalnych warunkach eksploatacji wydzielają palny gaz, to należy je trzymać z dala od iskier, ognia, materiałów wydzielających dym, przedmiotów promieniujących, świecących i palących się.
- Akumulatory kwasowe mokre w czasie ładowania mogą wydzielać wybuchowy, gazowy wodór. Ładowanie musi być wykonywane w dobrze wentylowanym miejscu, z dala od nieosłoniętego ognia.



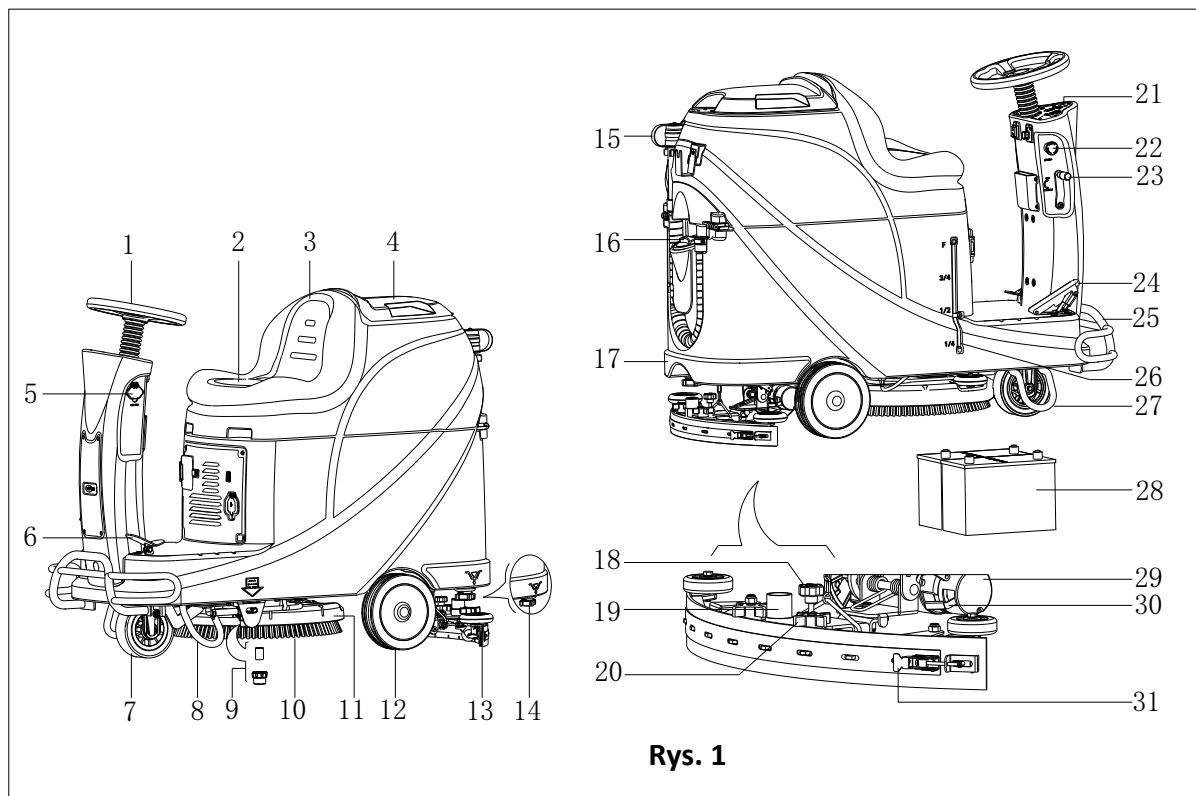
OSTRZEŻENIE!

- Dokładnie sprawdzić stan urządzenia przed użyciem. Przed użyciem sprawdzić czy dobrze poskładano wszystkie części. W przeciwnym wypadku ludzie mogą doznać uszczerbku na zdrowiu lub mogą powstać szkody materialne.

- Przed użyciem ładowarki, sprawdzić czy parametry częstotliwości i napięcia, wskazane na tabliczce znamionowej, są zgodne z parametrami źródła zasilania
- Nie wolno przemieszczać urządzenia ciągnąc za kabel ładowarki. Nie przeciskać kabla przez szczelinę w drzwiach, ani nie nawijać go na ostre krawędzie lub rogi. Nie wolno prowadzić urządzenia ciągnąc za kabel ładowarki. Trzymać kabel ładowarki z dala od rozgrzanych powierzchni.
Nie ładować akumulatorów, jeśli kabel lub wtyczka ładowarki jest uszkodzona.
- Przed pozostawieniem urządzenia wyłączyć je, aby zmniejszyć zagrożenie pożarem.
- Urządzenie użytkować i przechowywać wewnątrz budynku, w suchych warunkach. Użytkowanie poza budynkiem jest niedozwolone.
- Temperatura pracy oraz przechowania urządzenia musi mieścić się w zakresie 0 °C a +40 °C, a wilgotność powietrza między 30% a 95%.
- Nie użytkować urządzenia na powierzchni o pochyleniu większym niż określono w specyfikacji.
- W przypadku stosowania detergentów do podłóg, przestrzegać instrukcji z etykiet znajdujących się na butelkach z tymi środkami oraz nosić odpowiednie rękawice i inne zabezpieczenia.
- Stosować szczotki i pady dostarczone z urządzeniem albo określone w instrukcji obsługi. Inne szczotki lub pady mogą obniżyć bezpieczeństwo.
- W przypadku usterki, najpierw sprawdzić czy nie jest to efekt zaniedbania konserwacji. W razie konieczności, zwrócić się o pomoc do upoważnionego personelu lub autoryzowanego punktu serwisowego.
- Należy przedsięwziąć wszelkie środki ostrożności by włosy, biżuteria ani luźne części odzieży nie zostały pochwycone przez ruchome części urządzenia.
- Nie używać urządzenia w szczególnie zapyłonych miejscach.
Nie myć urządzenia strumieniem wody pod ciśnieniem ani przy użyciu substancji żrących.
- Nie uderzać w regały ani rusztowania, szczególnie jeśli znajdują się na nich przedmioty (które mogą spaść).
- Nie kłaść pojemników z płynami na urządzeniu – stosować odpowiednie uchwyty.
- Aby nie uszkodzić podłogi, nie pracować szczotką/padem w czasie gdy urządzenie nie przesuwają się.
- W przypadku pożaru, stosować gaśnice proszkowe. Nie stosować gaśnic płynowych.
- Nie usuwać ani nie zmieniać napisów na naklejkach na urządzeniu.
- Nie eksperymentować z zabezpieczeniami urządzenia. Ścisłe przestrzegać wykonywania rutynowych zabiegów konserwacyjnych.
- Zachować szczególną ostrożność, jeśli urządzenie jest transportowane w temperaturze poniżej zera. Woda w zbiorniku odzysku i w węzłach może zamrznąć i uszkodzić urządzenie.
- Jeśli potrzebne są części zamienne, to zamawiać ORYGINALNE części u autoryzowanych agentów lub sprzedawców.
- Jeśli urządzenie nie działa właściwie, uległo uszkodzeniu, zostało na dworze, albo wpadło do wody, to należy je zwrócić do punktu serwisowego.
- Aby zapewnić właściwą i bezpieczną eksploatację urządzenia, upoważniony personel lub serwisanci muszą przeprowadzać rutynowe przeglądy, zgodnie z opisem w odpowiednim rozdziale niniejszej instrukcji.
- Urządzenie musi być prawidłowo utylizowane, bo może zawierać toksyczne i niebezpieczne elementy (akumulatory, itp.), którymi muszą się zająć specjalistyczne firmy, zgodnie ze stosownymi przepisami (zob. rozdział o utylizacji).
- Urządzenie służy do czyszczenia i do żadnych innych celów.
- Chronić otwory przed kurzem, włosami i innymi ciałami obcymi, które mogą pogorszyć przepływ powietrza.
Nie używać urządzenia, w którym otwory zostały zaczopowane.
- Pracować na urządzeniu tylko we właściwych warunkach oświetlenia.
- To urządzenie nie jest przeznaczone dla osób o ograniczonych zdolnościach fizycznych, sensorycznych lub umysłowych, oraz osób nieposiadających doświadczenia i wiedzy, chyba że pod nadzorem lub po odpowiednim przeszkoleniu przez osobę odpowiedzialną za ich bezpieczeństwo.
- Zachować szczególną ostrożność w przypadku obecności dzieci.
- Urządzenie nie jest zabawką dla dzieci, należy zachować nad nimi nadzór.
- W czasie pracy na urządzeniu, trzeba uważać by nie spowodować uszczerbku na zdrowiu ludzi ani szkody materialnej.

OPIS URZĄDZENIA

BUDOWA URZĄDZENIA (jak na Rys. 1)

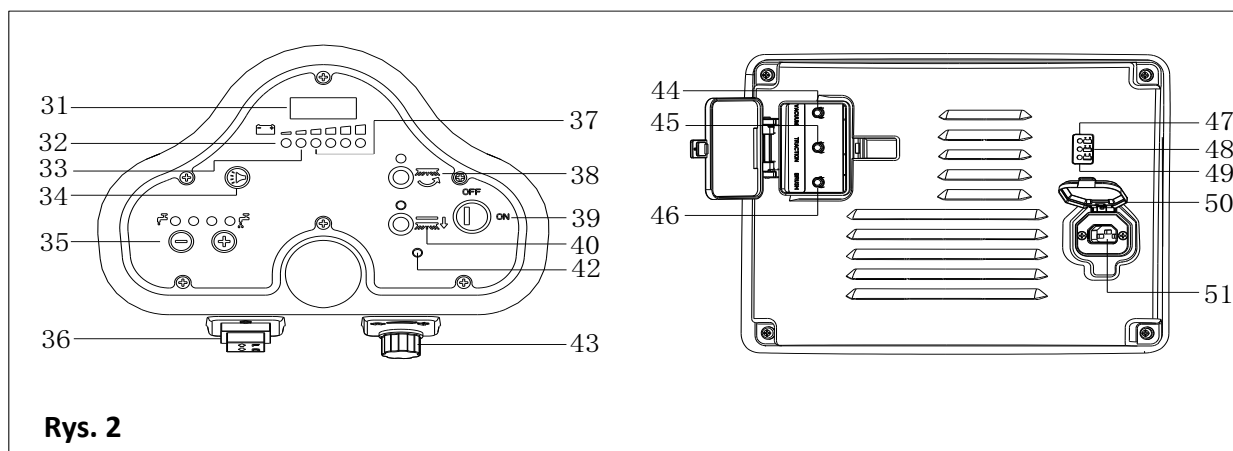


Rys. 1

- | | |
|--------------------------------------|--|
| 1. Kierownica | 17. Zbiornik na roztwór myjący |
| 2. Poduszka siedziska | 18. Gałka regulacji ssawy |
| 3. Zbiornik odzysku wody | 19. Wąż ssawy |
| 4. Osłona zbiornika odzysku wody | 20. Nakrętka ssawy |
| 5. Port ładowarki USB | 21. Panel sterowania |
| 6. Pedał | 22. Wyłącznik awaryjny |
| 7. Koło przednie | 23. Dźwignia podnoszenia/obniżania ssawy |
| 8. Lewy wspornik podpory | 24. Pedał gazu |
| 9. Filtr roztworu myjącego | 25. Zderzak przedni |
| 10. Szczotka | 26. Wskaźnik poziomu roztworu myjącego |
| 11. Podstawa szczotki | 27. Prawy wspornik podpory |
| 12. Tylne koło | 28. Akumulator |
| 13. Zespół ssawy | 29. Silnik napędowy |
| 14. Pokrywa wylotu roztworu myjącego | 30. Wspornika klocka hamulcowego |
| 15. Wąż spustowy odpadów | 31. Klamra ściągaczki |
| 16. Osłona dopływu wody | |

OPIS URZĄDZENIA

PANEL STEROWANIA (jak na Rys. 2)



Rys. 2

- | | |
|---|---|
| 31. Ekran LED | 42. Kontrolka usterki silnika napędowego |
| 32. Kontrolka rozładowanego akumulatora (czerwona) | 43. Pokrętło regulacji prędkości |
| 33. Kontrolka osiągnięcia połowy pojemności akumulatora (żółta) | 44. Ochrona silnika ssawy przed przeciążeniem |
| 34. Przycisk klaksonu | 45. Ochrona silnika napędowego przed przeciążeniem |
| 35. Przycisk regulacji stężenia roztworu myjącego | 46. Ochrona silnika szczotki przed przeciążeniem |
| 36. Przełącznik tył-przód | 47. Kontrolka naładowanego akumulatora (zielona) |
| 37. Wskaźnik rozładowania baterii (zielona) | 48. Kontrolka osiągnięcia połowy pojemności akumulatora (żółta) |
| 38. Przycisk szczotki | 49. Kontrolka ładowania akumulatora (czerwona) |
| 39. Przełącznik kluczykowy | 50. Pokrywa wtyczki ładowarki |
| 40. Przycisk do zdejmowania szczotki | 51. Wtyczka ładowarki |

INFORMACJE Z WYŚWIETLACZA LED

- STOP– urządzenie nie może się poruszać; szczotka nie pracuje, ale silnik ssawy może pracować (00012.3) – Czas pracy urządzenia ogółem wynosi 12,3 godziny
 LO-(18) – Napięcie akumulatora poniżej 18 V
 U-(25.5) – Napięcie akumulatora wynosi 25,5 V
 ERR-01 – Nieuniesiona ssawa w trakcie zawracania urządzenia

OKIENKO KONTROLEK ŁADOWARKI AKUMULATORÓW (jak na Rys. 2)

1. Na początku ładowania, czerwona dioda LED (49) ładowarki jest normalnie włączona. To pierwszy etap ładowania.
2. Po jakimś czasie trwającego ładowania, czerwona dioda LED (49) wyłącza się, a włącza się żółta (48). To drugi etap ładowania.
3. Po zakończeniu ładowania, żółta dioda LED (48) wyłącza się, a włącza zielona (47), wskazując na pełny stan naładowania akumulatora.



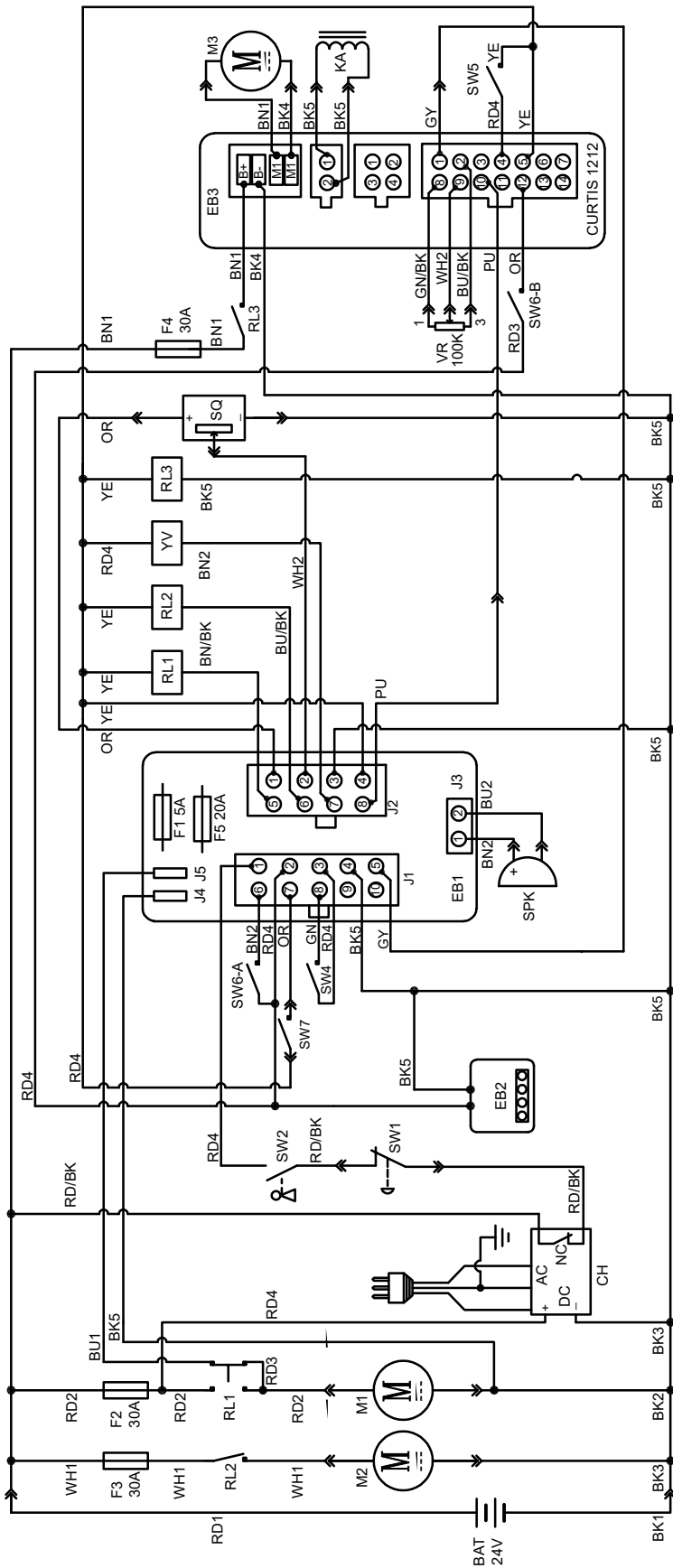
INFORMACJA

Jeśli w czasie ładowania świeci się żółta dioda LED ładowarki, to przyczyną może być to, że: akumulator nie pasuje do ładowarki, akumulator jest źle podłączony do ładowarki, albo na wyjściu jest zwarcie. Miganie czerwonej diody ładowarki może być spowodowane zwarciem wewnątrz ładowarki.

PARAMETRY TECHNICZNE

MODEL	AS530R	
Wielkość opakowania (długość x szerokość x wysokość)	mm	1470*730*1310
Wysokość urządzenia	mm	1120
Długość urządzenia	mm	1360
Szerokość urządzenia (bez ściągaczki)	mm	580
Waga z pustymi zbiornikami (bez akumulatorów)	Kg	140
Ciężar brutto pojazdu (GVW)	Kg	270
Waga transportowa	Kg	245
Pojemność zbiornika na roztwór	Litr	72
Pojemność zbiornika odzysku wody	Litr	73
Moc silnika ssawy	Wat	400
Wydajność ssania	mm H ₂ O	1223
Zdolność pokonania wzniesienia (maks)	%	10
Średnica przedniego koła	mm	φ175
Średnica tylnego koła	mm	φ230
Poziom hałasu	dB(A)	69
Przepływ roztworu myjącego/wody	L/min	0.84-2.0
Szerokość robocza	mm	530
Szerokość dyszy ssącej	mm	730
Średnica szczotki/uchwyty pada	mm	530
Moc silnika szczotki	Wat	450
Prędkość obrotowa szczotki	Rpm	160
Nacisk szczotki/uchwyty pada (maks)	Kg	23
Moc silnika napędu	Wat	300W
Prędkość robocza	km/godz.	5.5km/h
Napięcie	V	24V
Akumulator (o ile jest)	Ah	2x100AH (20 godziny)
Ładowarka do akumulatorów (o ile jest)	V/A	24V 10A
Wielkość przedziału z akumulatorami (dł x szer x wys)	mm	350*380*300
Specyfikacja ładowarki USB	V/A	5V, 0.8A

SCHEMAT ELEKTRYCZNY



WIRE ROD		WIRE ROD	
RD1	RED/6AWG	BNBK	BROWN/BLACK / 20AWG
RD2	RED/10AWG	BU1	BROWN/18AWG
RD3	RED/18AWG	BU2	BLUE/20AWG
RD4	RED/20AWG	BU/BK	BLUE/BLACK / 20AWG
RD/BK	RED/BLACK / 20AWG	GN	GREEN/20AWG
BK1	BLACK/6AWG	GN/BK	GREEN/BLACK /20AWG
BK2	BLACK/10AWG	GY	GRAY/20AWG
BK3	BLACK/12AWG	PU	PURPLE/20AWG
BK4	BLACK/14AWG	OR	ORANGE/20AWG
BK5	BLACK/18AWG	YE	YELLOW/20AWG
BN1	BROWN/14AWG	WH1	WHITE/12AWG
BN2	BROWN/20AWG	WH2	WHITE/20AWG

COMPONENTS		COMPONENTS	
BAT	24V BATTERIES	KA	BRAKE
CH	BATTERY CHARGER	M1	BRUSH MOTOR
EB1	CONTROL PANEL BOARD	M2	VACUUM MOTOR
EB2	USB CHARGING ELECTRONIC BOARD	M3	DRIVE MOTOR
EB3	DRIVE ELECTRONIC BOARD	SW1	EMERGENCY-STOP SWITCH
RL1	BRUSH MOEOR ELECTROM SWITCH	SW2	KEY SWITCH
RL2	VACUUM MOEOR ELECTROM SWITCH	SW4	VACUUM MOTOR SWITCH
RL3	DRIVE SYSTEM ELECTROM SWITCH	SW5	OPTIONAL MODE SWITCH
YV	WATER ELECTROVALVE	SW6-A	OPTIONAL REVERSE SWITCH
F1	CONTROL PANEL BOARD FUSE	SW6-B	OPTIONAL REVERSE SWITCH
F2	BRUSH MOTOR CIRCUIT BREAKER	SW7	SEAT SWITCH
F3	VACUUM MOTOR CIRCUIT BREAKER	SQ	FOOT THROTTLE
F4	DRIVE SYSTEM CIRCUIT BREAKER	SPK	12VDC BUZZER
F5	BRUSH RELEASE FUSE	VR	SPEED POTENTIOMETER

ELEMENTY		ELEMENTY	
BAT	AKUMULATORY 24V	M1	SILNIK SZCZOTKI
CH	ŁADOWARKA DO AKUMULATORÓW	M2	SILNIK SSAWY
EB1	PŁYTKA STEROWANIA	M3	SILNIK NAPĘDOWY
EB2	PŁYTKA ELEKTRONICZNA ŁADOWARKI USB	SW1	WYŁĄCZNIK AWARYJNY
EB3	PŁYTKA ELEKTRONICZNA NAPĘDU	SW2	PRZEŁĄCZNIK KLUCZYKOWY
RL1	WŁĄCZNIK ELECTROM SILNIKA SZCZOTKI		
RL2	WŁĄCZNIK ELECTROM SILNIKA SSAWY	SW4	WŁĄCZNIK SILNIKA SSAWY
RL3	WŁĄCZNIK ELECTROM SYSTEMU NAPĘDU	SW5	OPCJONALNY WŁĄCZNIK TRYBU
YV	ELEKTYOZAWÓR WODY	SW6-A	OPCJONALNY WĄCZNIK COFANIA
F1	BEZPIECZNIK PŁYTKI STEROWANIA	SW6-B	OPCJONALNY WĄCZNIK COFANIA
F2	WYŁĄCZNIK AUTOMAT. OBWODU SILNIKA SZCZOTKI	SW7	WYŁĄCZNIK SIEDZISKA
F3	WYŁĄCZNIK AUTOMAT. SILNIKA SSAWY	SQ	PRZEPUSTNICA PRZY STOPIE
F4	WYŁĄCZNIK AUTOM. SYSTEMU NAPĘDU	SPK	BRZĘCZYK 12 VDC
F5	BEZPIECZNIK ZWOLNIENIA SZCZOTKI	VR	POTENCJOMETR REGULACJI PRĘDKOŚCI
KA	HAMULEC		

PRZEWÓD		PRZEWÓD	
RD1	CZERWONY/6AWG	BN/BK	BRĄZOWY/CZARNY/20AWG
RD2	CZERWONY/10AWG	BU1	NIEBIESKI/18AWG
RD3	CZERWONY/18AWG	BU2	NIEBIESKI/20AWG
RD4	CZERWONY/20AWG	BU/BK	NIEBIESKI/CZARNY/20AWG
RD/BK	CZERWONY/CZARNY/20AWG	GN	ZIELONY/20AWG
BK1	CZARNY/6AWG	GN/BK	ZIELONY/CZARNY/20AWG
BK2	CZARNY/10AWG	GY	SZARY/20AWG
BK3	CZARNY/12AWG	PU	FIOLET/20AWG
BK4	CZARNY/14AWG	OR	POMARAŃCZ/20AWG
BK5	CZARNY/18AWG	YE	ŻÓŁTY/20AWG
BN1	BRĄZOWY/14AWG	WH1	BIAŁY/12AWG
BN2	BRĄZOWY/20AWG	WH2	BIAŁY/20AWG

SPOSÓB UŻYCIA



OSTRZEŻENIE!

Zwracać szczególną uwagę na te symbole w tekście:

- NIEBEZPIECZEŃSTWO!
- OSTRZEŻENIE!
- UWAGA!
- SPRAWDZIĆ

W żadnym wypadku nie wolno tych naklejek przykrywać, a w przypadku uszkodzenia trzeba natychmiast wymienić.

INSTALACJA I USTAWIENIE AKUMULATORA W NOWYM URZĄDZENIU



OSTRZEŻENIE!

Elementy elektryczne urządzenia mogą ulec poważnemu uszkodzeniu, jeśli akumulatory zostaną nieprawidłowo zainstalowane albo podłączone.

Tylko wykwalifikowany personel może instalować akumulatory.

Ustawić ładowarkę (o ile jest) i płytkę elektroniczną urządzenia zgodnie z typem używanych akumulatorów (MOKRE lub ŻELOWE/AGM).

Przed założeniem akumulatorów, sprawdzić czy nie są uszkodzone.

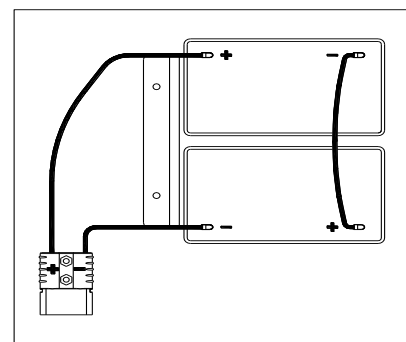
Rozłączyć łącznik akumulatorów i wtyczkę ładowarki.

Bardzo ostrożnie obchodzić się z akumulatorami.



INFORMACJA

Urządzenie wymaga dwóch akumulatorów 12 V, połączonych według Rys. 3.



Rys. 3

Urządzenie może działać w następujących trybach:

A) Kiedy akumulatory MOKRE lub ŻELOWE/AGM są już zainstalowane i gotowe do użycia, wtedy należy

1. Sprawdzić akumulatory i podłączyć do urządzenia przy pomocy łącznika.
2. Włożyć kluczyk zapłonu (40) i przekręcić go do położenia "on". If the green light (37) turns on, batteries are full charged for use; If the yellow or red light (33 or 32) turns it on, the batteries must be charged.

B) Bez akumulatorów

1. Jeśli w urządzeniu nie ma akumulatorów, to należy je nabyć [zob. pkt Dane techniczne]. Wybór i instalację akumulatorów zlecić wykwalifikowanym sprzedawcom.
2. Ustawić urządzenie i ładowarkę zgodnie z typem używanych akumulatorów, a następnie postępować zgodnie z następnym rozdziałem.

ZAKŁADANIE I USTAWIANIE TYPU AKUMULATORÓW (MOKRE LUB ŻELOWE/AGM)

Ustawić płytkę elektroniczną i ładowarkę zgodnie z typem używanych akumulatorów (MOKRE lub ŻELOWE/AGM), według poniższego toku postępowania:



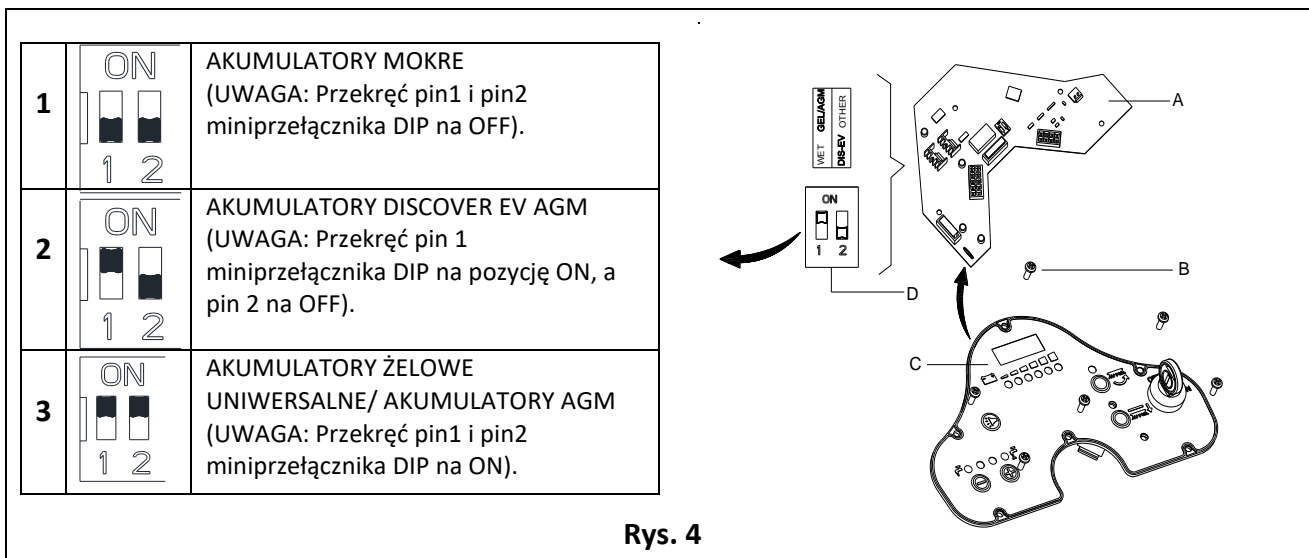
INFORMACJA

Aby zainstalować nowe akumulatory, trzeba kierować się Rys. 4 w celu prawidłowego ustawienia miniprzelazników DIP, w przeciwnym wypadku akumulatory ulegną uszkodzeniu.

Ustawienia w urządzeniu

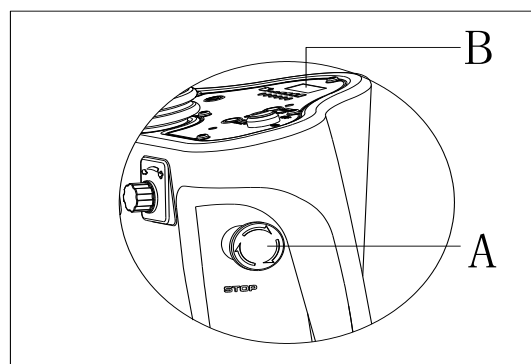
1. Włóż kluczyk zapłonu (40) i przekręć go do położenia "on". W czasie pierwszych sekund po uruchomieniu, zwróć uwagę na poniższe kwestie:
 - Jeśli miga zielona kontrolka (37), to urządzenie jest ustawione na akumulatory żelowe/AGM.
 - Jeśli miga żółta kontrolka (33), to urządzenie jest ustawione na akumulatory Discover EV AGM.
 - Jeśli miga czerwona kontrolka (32), to urządzenie jest ustawione na akumulatory mokre.
2. Aby zmienić ustawienia, trzeba wykonać poniższe kroki:
3. Ustawienie fabryczne to akumulatory Discover EV AGM. Jeśli takie ustawienie jest zgodne z zainstalowanymi akumulatorami, to przejść od razu do kroku 6. W przeciwnym wypadku przejść do kolejnego kroku.

4. Odkręć śrubę na panelu sterowania (B, Rys. 4), następnie odwróć elektroniczną płytkę (A) na tym panelu w celu znalezienia miniprzekaźnika DIP (D). Do ustawienia miniprzekaźnika, kieruj się Rys. 4.
5. Zamocuj panel (wykonując kroki jego demontażu w odwróconej kolejności) i zablokuj śrubę po wykonaniu ustawień.



Instalacja akumulatorów

6. Otwórz pokrywę zbiornika odzysku wody (4) i sprawdź czy zbiornik (3) jest pusty - jeśli nie to opróżnij go przez wąż spustowy (15).
7. Zamknij pokrywę zbiornika odzysku wody (4).
8. Ostrożnie obróć zbiornik odzysku wody (3).
9. Urządzenie jest wyposażone w przewody przystosowane do dwóch akumulatorów 2X12V. Ostrożnie umieść akumulatory w komorze, po czym prawidłowo je zainstaluj.
10. Przewody akumulatora poprowadź zgodnie z ilustracją (Rys. 3), a następnie ostrożnie dokręć nakrętkę na każdym zacisku akumulatora.
11. Na każdy zacisk załóż osłonkę, a potem podłącz do złącza akumulatorów.
12. Ostrożnie obniż zbiornik (3).



Rys. 5

Ładowanie akumulatorów

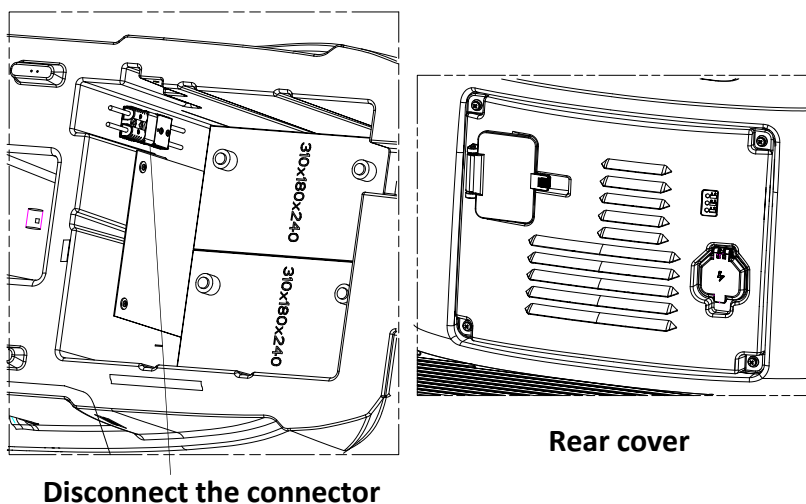
13. Ładowanie akumulatorów. [zobcz. rozdz. KONSERWACJA].

Ustawienia ładowarki do akumulatorów (tylko w przypadku zamontowanej ładowarki pokładowej)

Ładowarka do akumulatorów

Ładowarka do akumulatorów znajduje się pod tylną pokrywą i jest podłączona bezpośrednio do akumulatorów. Jest to sterowany mikroprocesor wykorzystujący różne krzywe ładowania dla uzyskania optymalnej wydajności różnych typów akumulatorów.

1. Rozłącz złącze kabla prowadzącego do akumulatorów.
2. Zdejmij tylną pokrywę.
3. Usuń 4 śruby (B), i wyjmij ładowarkę (A).

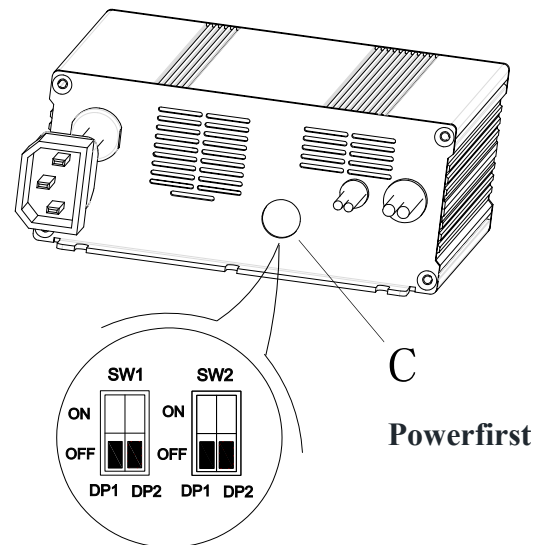
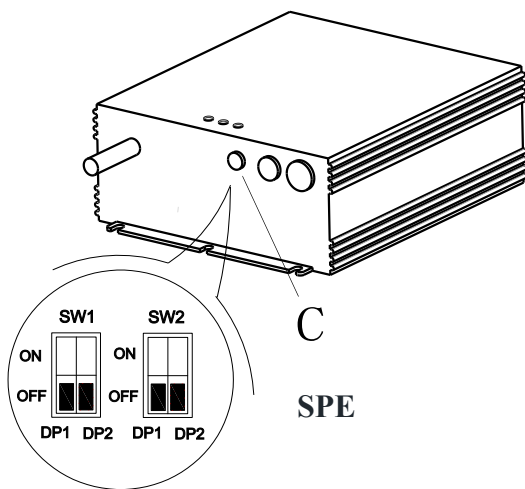
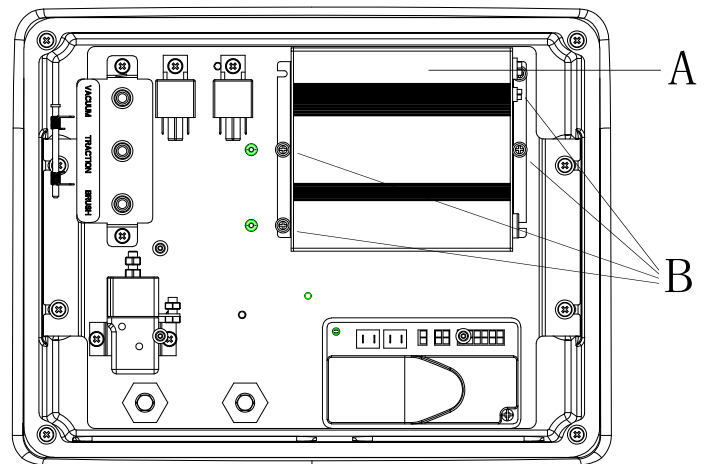


Przełączniki Dip do akumulatorów

Działanie ładowarki sterowane jest 4 przełącznikami typu dip (2 pary) znajdującymi się pod tylną pokrywą. Drugiej pary przełączników nie należy nigdy dotykać chyba, że ładowarka była wymieniana i trzeba potwierdzić ich pozycję, ustawić napięcie akumulatora (24V) oraz maksymalne natężenie (10A); zawsze powinny być one w pozycji Off (Wył.).

Pierwsza para przełączników dostępna jest poprzez plastikową zatyczkę bez otwierania ładowarki. Określają one typ krzywej ładowania stosowanej dla każdego rodzaju akumulatora. Typ krzywej oznacza sposób i zakres, w jakim prąd i napięcie dochodzą do akumulatora na różnych etapach cyklu ładowania.

1. Zdejmij plastikową zatyczkę zakrywającą otwór dostępu do przełącznika DIP (C).
2. Ustaw pierwsze 2 przełączniki DIP (SW1) zgodnie z danymi w poniższej tabeli.
3. Z powrotem nałóż plastikową zatyczkę.



Curve/Battery Type	SW1		SW2	
	D1	D2	D1	D2
IUIa Wet	On	Off		
IUIa Gel Exide	Off	Off	Off	Off
IUoU AGM	Off	On		
IUIa AGM Discover	On	On		

Curve/Battery Type	SW1		SW2	
	D1	D2	D1	D2
IUIa Wet	On	Off		
IUIa Gel Exide	Off	Off	Off	Off
IUIa AGM	Off	On		
IUIa AGM Discover	On	On		

WYŁĄCZANIE AWARYJNE

Jeśli w trakcie pracy urządzenia pojawi się sytuacja awaryjna, nacisnąć wyłącznik awaryjny (A, Rys. 5), wtedy zostaną zatrzymane wszystkie funkcje urządzenia oraz zgaśnie ekran na panelu sterowania (B, Rys. 5)

INSTALACJA I DEMONTAŻ SZCZOTKI/PADA



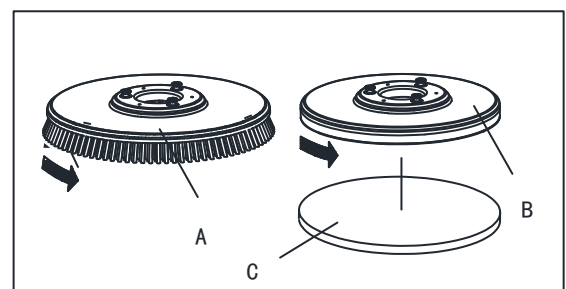
INFORMACJA

Zależnie od podłogi, jaka ma być czyszczona, do urządzenia montuje się szczotkę (A, Rys. 6), albo pad (B i C, Rys. 6).



UWAGA

Przed instalacją lub demontażem szczotki lub pada, sprawdzić czy są wyłączone wszystkie przełączniki na urządzeniu a ssawa jest uniesiona nad podłogą. Operator musi być wyposażony w stosowny sprzęt ochrony indywidualnej, np. rękawice, aby zmniejszyć ryzyko wypadku. Postępować w następujący sposób:



Rys. 6

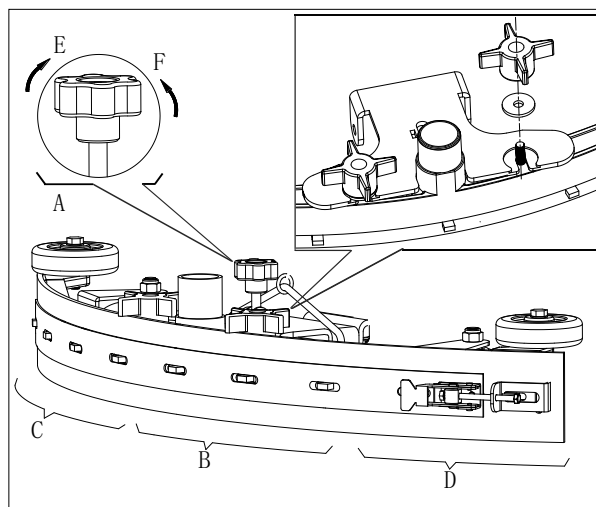
1. Włóż kluczyk zapłonu (40) i przekręć go do położenia ON.
2. Naciśnij stopą pedał (6) by unieść zespół szczotki (11) nad podłogą.
3. Obróć pokrętło regulacji prędkości (42) w lewo, do oporu.
4. Wyśrodkuj szczotkę (A, Rys. 5) albo pada (B, Rys. 5) w stosunku do podstawy szczotki.
5. Cofnij stopę z pedału (6) by opuścić zespół szczotki (11). Usiądź na siedzisku, naciśnij przycisk szczotki (39) i lekko puść pedał (23) - szczotka/pada powinny się samoczynnie zainstalować. Powtarzaj kroki aż do zainstalowania szczotki/pada.
6. Jeśli po kroku 5 szczotki/pada wciąż nie uda się zainstalować, to ręcznie opuść szczotkę/pada.
7. Naciśnij stopą pedał (6) by unieść zespół szczotki (11) nad podłogą i naciśnij przycisk zdejmowania szczotki (41) by się samoczynnie odinstalowała.

**UWAGA!**

Przed puszczeniem pedału gazu (6), obróć pokrętło regulacji prędkości (42) do minimum, by urządzenie nie ruszyło zbyt szybko po starcie. Przed przystąpieniem do pracy, sprawdź czy na pewno szczotka/pada są dobrze zainstalowane.

POZIOMOWANIE BELKI SSAWY

1. Załóż ssawę (13) i zamocuj nakrętkę ssawy (20), a następnie przyłącz wąż ssawy (19) do ssawy.
2. Ustaw dyszę ssącą przy pomocy pokrętła regulacji belki ssawy (A, Rys. 7).
 - a) Jeśli środkowa sekcja tylnego pióra ssawy (B) nie styka się z podłogą, to należy regulować pokrętłem (A) w lewo (F) tak długo, aż tylne pióro ssawy pewnie zetknie się z podłogą. Przednie pióro ma tylko lekko dotykać podłogi.
 - b) Jeśli obydwa końce tylnego pióra ssawy (C i D) nie stykają się z podłogą, to należy regulować pokrętłem (A) w prawo (E) tak długo, aż tylne pióro ssawy pewnie zetknie się z podłogą. Przednie pióro ma tylko lekko dotykać podłogi.



Rys. 7

NAPEŁNIANIE ZBIORNIKA NA ROZTWÓR

1. Otwórz pokrywę wlotu wody (E, Rys. 8).
2. Napełnianie wodą lub roztworem, stosownie do pracy, przez wlot wody z filtrem. Temperatura roztworu nie może przekraczać +104F (+40°C).
3. Nie przepętnij zbiornika - zwróć uwagę na wskaźnik poziomu wody (G).

**OSTRZEŻENIE!**

Stosuj detergenty przeznaczone do automatycznych urządzeń myjących – niskopieniące i niepalne.

Kontrola silnika napędowego

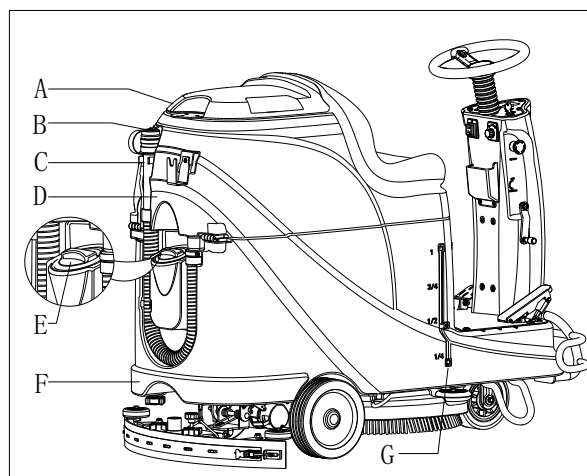
1. Obróć przełącznik kluczykowy (A, Rys. 9) do położenia ON.
2. Lekko naciśnij pedał gazu (C), a następnie puść, sprawdzając jazdę do przodu i zatrzymanie urządzenia.
3. Sprawdź bezpieczeństwo urządzenia – weryfikując, czy zatrzymuje się natychmiast po naciśnięciu wyłącznika awaryjnego (B). Zresetuj wyłącznik awaryjny – obracając go.

**UWAGA**

Zdolność pokonywania wzniesienia nie może przekraczać 10%.

**UWAGA**

Hamulec silnika jest zwolniony w trakcie normalnej pracy silnika - blokuje wtedy, kiedy silnik przestaje działać.



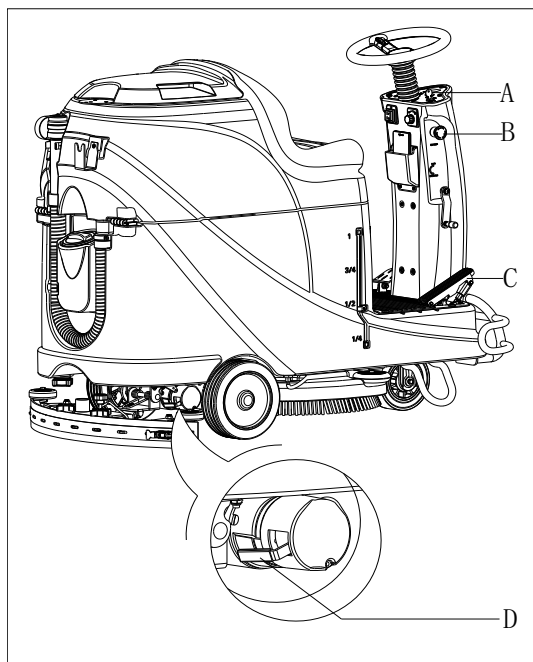
Rys. 8

- Hamulec zwolniony – uchwyt hamulca (D, Rys. 9) znajduje się u góry
- Hamulec zablokowany – uchwyt hamulca znajduje się u dołu
W specjalnych przypadkach, takich jak pakowanie/rozpakowywanie, usterka, itd., kiedy urządzenie trzeba przemieścić bez pracującego silnika, ręcznie zwalnia się hamulec. Po wykonaniu ruchu urządzeniem, nie można zapomnieć ponownie zablokować hamulca, żeby nie ryzykować bezpieczeństwa.

URUCHAMIANIE I ZATRZYMIWANIE URZĄDZENIA

Uruchamianie urządzenia

1. Urządzenie przygotować zgodnie z opisem w poprzednim akapicie.
2. Usiądź na siedzisku (L, Rys. 10) i włóż kluczyk zapłonu (A) i przekręć go do położenia ON. Jeśli zapali się zielona kontrolka (C), to akumulatory są gotowe do użycia. Jeśli pali się żółta (E) lub czerwona kontrolka (D), to żeby móc pracować, trzeba najpierw naładować akumulatory. [Zobcz. rozdz. KONSERWACJA o ładowaniu akumulatorów]
3. Opuść zespół dyszy ssącej na podłogę.



Rys. 9

INFORMACJA

Przed ruchem urządzenia wstecz, trzeba zawsze podnieść ssawę, w przeciwnym wypadku urządzenie zatrzyma się, a na ekranie LED wyświetli się napis "Error".

4. Opuść zespół szczotki na podłogę.

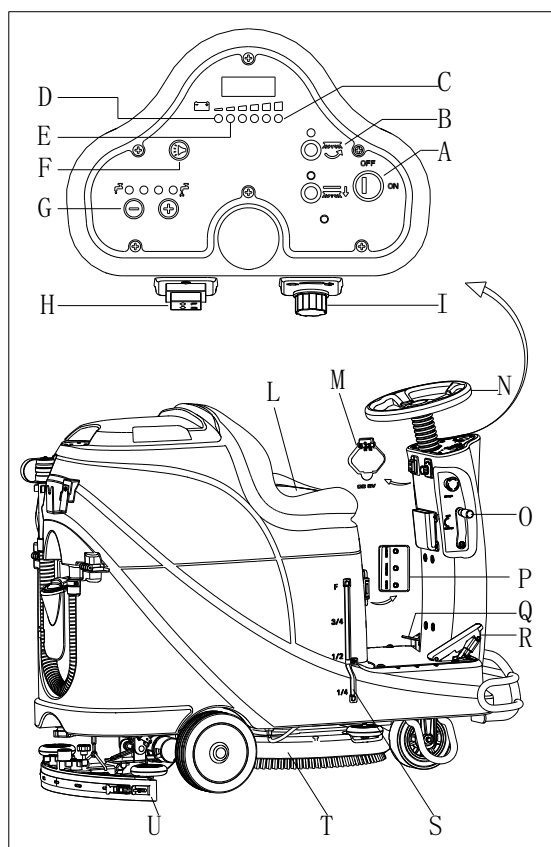
INFORMACJA

Przed podniesieniem zespołu szczotki, przycisk szczotki musi być wyłączony, a przed ruchem urządzenia wprzód/w tył – trzeba podnieść zespół szczotki.

5. Naciśnij przycisk szczotki (B).
6. Naciśnij pedał gazu (R), przejedź urządzeniem wprzód lub w tył używając kierownicy (N) i przełącznika jazdy przód-tył (H). Możesz ustawić prędkość pokrętkiem regulacji prędkości (I).
7. Ustaw natężenie przepływu roztworu myjącego przyciskiem (G), zależnie od program mycia.
8. Kiedy przełącznik kluczykowy (A) znajduje się w pozycji ON, wtedy można naładować telefon lub pada przez port ładowarki USB (M).
9. Naciśnij przycisk klaksonu (F) by w razie potrzeby ostrzec ludzi.
10. Jeśli trzeba natychmiast zatrzymać urządzenie – naciśnij przycisk awaryjny.

INFORMACJA

Silniki: szczotki, ssawy i napędu oraz obwód sterowania są wyposażone w zabezpieczenie przeciążeniowe (P). Kiedy zadziała zabezpieczenie przeciążeniowe, to trzeba najpierw znaleźć przyczynę oraz odczekać aż silnik wystygnie i dopiero wtedy je zresetować.



Rys. 10

Zatrzymywanie urządzenia

11. Puść pedał gazu (R, Rys. 10), a wtedy urządzenie przestanie jechać.
12. Naciśnij przycisk szczotki (B) by zatrzymać silnik szczotki.
13. Podnieś zespół szczotki (T) naciskając pedał (Q).
14. Podnieś belkę ssawy (U) dźwignią do podnoszenia/opuszczania ssawy (O), a po kilku sekundach zostanie zamknięty układ ssawy.
15. Przekręć kluczyk do położenia OFF.
16. Sprawdź czy urządzenie jest na pewno wyłączone.

EKSPLOATACJA URZĄDZENIA (CZYSZCZENIE SZCZOTKĄ I SUSZENIE)

1. Uruchom urządzenie zgodnie z opisem w poprzednim akapicie.
2. Rozpocznij czyszczenie według opisu w rozdziale "Uruchamianie urządzenia".
3. W razie potrzeby, zatrzymaj urządzenie i wyreguluj ssawę zgodnie z opisem w rozdziale "Poziomowanie belki ssawy".



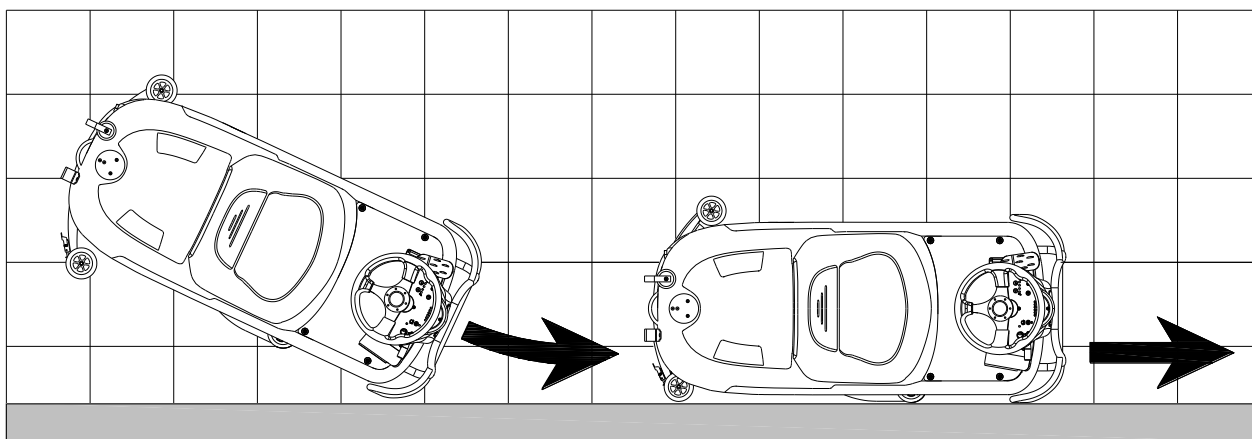
UWAGA!

Aby nie uszkodzić powierzchni podłogi, trzeba wyłączać szczotkę/uchwyt pada wtedy, kiedy urządzenie stoi w jednym miejscu.



INFORMACJA

Aby prawidłowo wyczyścić/wysuszyć podłogę przy ścianie, sugerujemy aby przejeżdżać blisko ściany prawą stroną urządzenia (zderzak, koło), tak jak to pokazano poniżej na Rys. 11.



Rys. 11

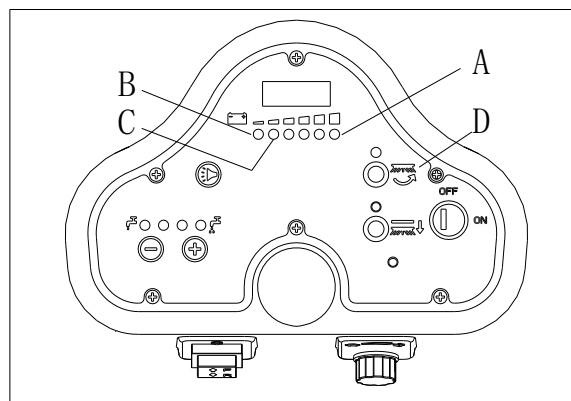
Ładowanie akumulatorów w trakcie pracy

Kiedy świeci się zielona kontrolka (A, Rys. 12), akumulatory mają wystarczającą moc do zapewnienia urządzeniu normalnej pracy; kiedy zielona kontrolka zgaśnie a zapali się żółta (C, Rys. 12), poziom mocy akumulatorów jest zbyt niski, trzeba je naładować. Kiedy miga czerwona kontrolka (B, Rys. 12) to znaczy, że akumulatory się wyczerpały, silnik ssawy i silnik szczotki samoczynnie się po kilku sekundach wyłączą, trzeba natychmiast podjechać urządzeniem do ładowania.



UWAGA!

Aby uchronić akumulatory przed uszkodzeniem i skróceniem okresu eksploatacji, nie powinno się używać urządzenia z wyczerpanymi akumulatorami.



Rys. 12

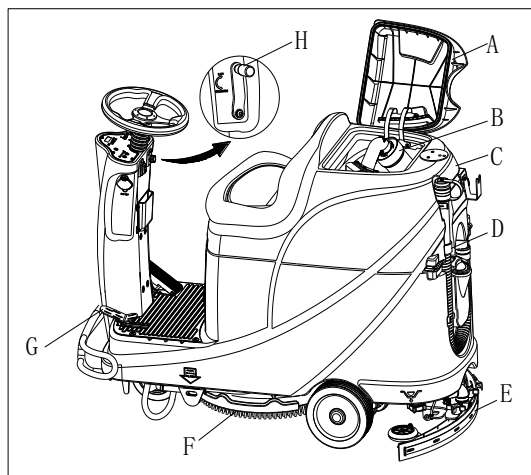
OPRÓŻNIANIE ZBIORNIKA

Zawór pływakowy (B, Rys. 13) blokuje ssawę wtedy, kiedy zbiornik odzysku wody (C) będzie pełny. Brak aktywności ssawy jest natychmiast sygnalizowany zwiększonym hałasem silnika ssawy. Świadczy to też o tym, że podłoga nie została osuszona.



UWAGA!

Jeśli układ ssawy zostanie wyłączony w sposób niezamierzony (np. po uruchomieniu pływak z powodu gwałtownego ruchu urządzenia), to aby przywrócić pracę urządzenia, trzeba wyłączyć ssawę naciskając przycisk (D, Rys. 12), potem otworzyć pokrywę (A, Rys. 11) i sprawdzić czy pływak w siatce (B) zszedł w dół do poziomu wody. Zamknąć pokrywę (A) i włączyć ssawę włącznikiem (D, Rys. 12).



Rys. 13

Po napełnieniu się zbiornika odzysku wody (C, Rys. 13), opróżnij go według procedury poniżej.

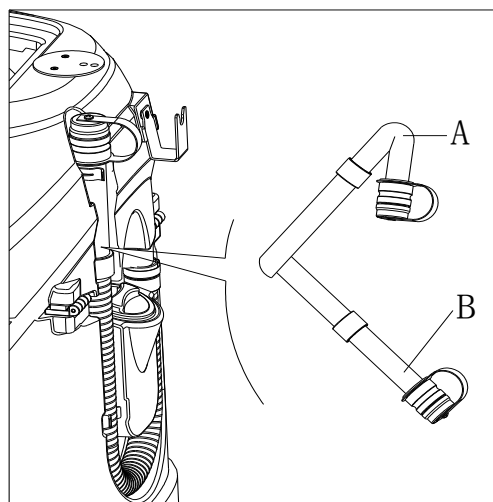
Opróżnianie zbiornika odzysku wody

1. Zatrzymaj urządzenie.
2. Podnieś podstawę szczotki/uchwytu pada (H, Rys. 12), naciskając pedał (G).
3. Podnieś ssawę za pomocą dźwigni (H).
4. Podjedź urządzeniem do miejsca opróżniania z odpadów.
5. Opróżnij zbiornik odzysku wody przez wąż (D). Następnie, przepłucz zbiornik czystą wodą.



UWAGA!

Do spuszczenia wody odpadowej, zanim otworzy się pokrywę węża spustowego - zagiąć (A, Rys. 14) i umieścić nisko (B, Rys. 14) wąż spustowy. Nie kierować wylotu węża spustowego w górę, by woda odpadowa nie opryskała operatora.



Rys. 14

Opróżnianie zbiornika na roztwór / czystą wodę

6. Wykonać kroki od 1 do 4 z procedury rozdziału „Opróżnianie zbiornika do odzysku wody”.
7. Opróżnij zbiornik na roztwór myjący przez pokrywę wylotu (A, Rys. 15). Następnie, zbiornik przepłucz czystą wodą.

NA ZAKOŃCZENIE PRACY

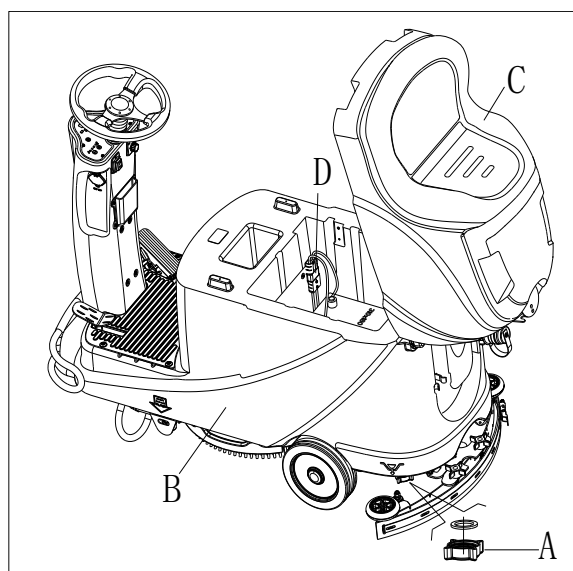
Po zakończeniu pracy, przed pozostawieniem urządzenia:

1. Ściągnij szczotkę/uchwyt pada.
2. Opróżnij zbiorniki (B i C, Rys. 15) zgodnie z opisem w poprzednim akapicie.
3. Przeprowadź czynności wchodzące w zakres obsługi codziennej (zob. rozdział Konserwacja).
4. Urządzenie przechowuj w czystym i suchym miejscu, z podniesionymi lub zdjętymi szczotkami/uchwyty padów i ssawę.

DŁUŻSZY BRAK AKTYWNOŚCI URZĄDZENIA

Jeśli urządzenie nie będzie eksploatowane przez ponad 30 dni, to wykonaj co następuje:

1. Przeprowadź procedury zaprezentowane w rozdziale „NA ZAKOŃCZENIE PRACY Z URZĄDZENIEM”.
2. Rozłącz złącze akumulatorów (D, Rys. 15).



Rys. 15

PIERWSZE UŻYCIE

Po pierwszych 9 godzinach eksploatacji, prosimy sprawdzić czy nie wystąpiło jakieś uszkodzenie lub inne anomalie, oraz czy nie poluzowały się jakieś mocowania lub osprzęt.

KONSERWACJA



OSTRZEŻENIE!

Konserwacje wykonuje się na wyłączonym urządzeniu oraz przy rozłączonym kablu ładowania akumulatorów. Dodatkowo, należy dokładnie przeczytać rozdział o bezpieczeństwie w tej instrukcji.

Planowane przeglądy oraz naprawy może prowadzić tylko wykwalifikowany personel albo serwisanci z autoryzowanego punktu serwisowego. W niniejszym podręczniku opisano tylko najłatwiejsze i najczęściej przeprowadzane czynności konserwacyjne.

Inne procedury konserwacyjne, których nie ma w tabeli poniżej z harmonogramem przeglądów, znajdują się w Instrukcji serwisu, dostępnej w naszych punktach serwisowych.

HARMONOGRAM PRZEGLĄDÓW



UWAGA!

Procedurę oznaczoną (1) należy wykonać po pierwszych 9 godzinach eksploatacji.

Procedurę oznaczoną (2) może wykonać tylko punkt serwisowy, autoryzowany przez naszą firmę.

Procedura	Codziennie, po każdym użyciu	Co tydzień	Co 6 miesięcy	Co roku
Ładowanie akumulatorów				
Czyszczenie dyszy ssącej				
Czyszczenie szczotki/uchwyty pada				
Czyszczenie zbiornika				
Kontrola listwy uszczelniającej zbiornika				
Czyszczenie filtra pływakowego z separatorem				
Kontrola i wymiana piór ssawy				
Czyszczenie filtra wody				
Czyszczenie filtra ssania				
Kontrola poziomu płynu w akumulatorach mokrych				
Kontrola dokręcenia śrub i nakrętek			(1)	
Kontrola lub wymiana szczotki węglowej szczotki/uchwyty pada				(2)
Kontrola lub wymiana szczotki węglowej silnika ssawy				(2)
Kontrola lub wymiana szczotki węglowej silnika systemu napędu (dot. tylko urządzeń z trakcją)				(2)
Smarowanie części obracających się			(1)	

ŁADOWANIE AKUMULATORÓW



INFORMACJA

Akumulatory ładować, kiedy pali się żółta(32) lub czerwona kontrolka (33), albo na zakończenie każdego cyklu pracy.



OSTROŻNIE

Stałe utrzymywanie stanu pełnego naładowania akumulatorów przedłuża ich żywotność.



OSTROŻNIE

Kiedy stan naładowania akumulatorów jest niski, należy je jak najszybciej naładować, by przedłużyć ich okres eksploatacji. Sprawdzać akumulatory przynajmniej raz w tygodniu.

**UWAGA!**

Należy zachować szczególną ostrożność przy ładowaniu akumulatora, ponieważ może wystąpić przeciekanie kwasu.

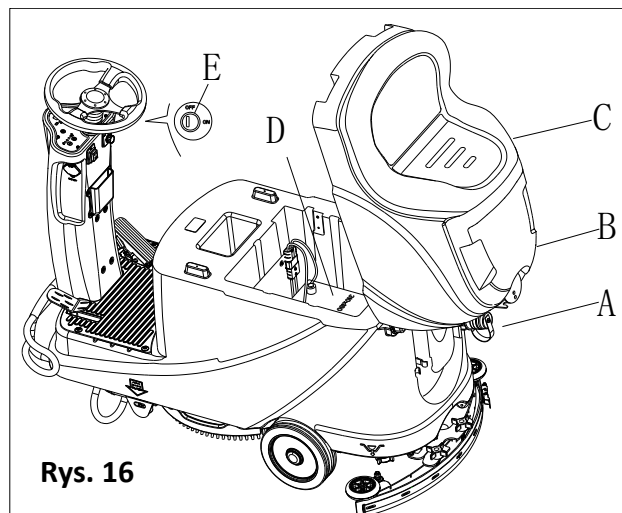
Kwas akumulatora ma właściwości żrące i jeśli przypadkowo dostanie się na skórę lub do oczu, to trzeba obficie spłukać czystą wodą i zgłosić się do lekarza.

Kroki przygotowawcze do ładowania akumulatorów

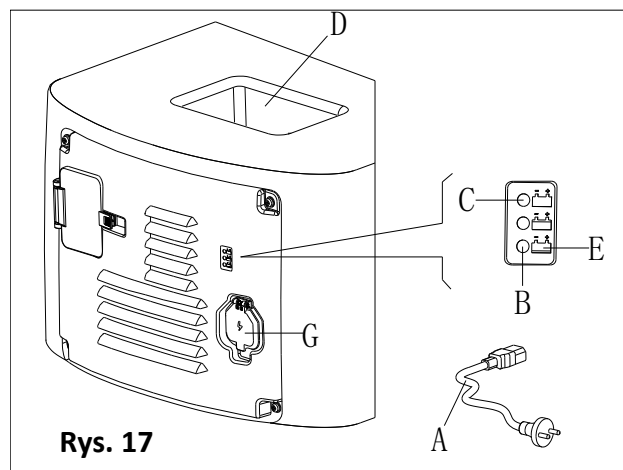
1. Otwórz pokrywę zbiornika odzysku wody (B, Rys. 16) i sprawdź czy zbiornik (C) jest pusty - jeśli nie to opróżnij go przez wąż spustowy (A).
2. Przejedź urządzeniem do miejsca ładowania.
3. Przekręć kluczyk do położenia OFF.
4. Ten krok dot. tylko akumulatorów mokrych:
 - W razie konieczności, wyczyść górną powierzchnię akumulatorów.
 - Sprawdź poziom elektrolitu w akumulatorach (D); w razie konieczności uzupełnij do pełna przez nakrywkę i zamknij je.
 - W czasie ładowania, trzymaj tę nakrywkę otwartą.
5. Wybierz jeden z poniższych trybów ładowania, zależnie od wybranego typu akumulatorów.

Użycie ładowarki wbudowanej

6. Podłącz wtyczkę ładowarki (A, Rys. 17) do sieci (G), wtedy wszystkie funkcje urządzenia – poza ładowaniem - zostaną automatycznie zablokowane. Normalnie świecąca czerwona dioda LED (B) oznacza, że urządzenie jest w trakcie ładowania.
7. Akumulatory są gotowe do użycia, jeśli zapali się zielona dioda LED (C).
8. Po zakończeniu ładowania, wyjmij wtyczkę ładowarki z gniazdka sieciowego i schowaj kabel ładowarki do pudełka (D).



Rys. 16



Rys. 17

**INFORMACJA**

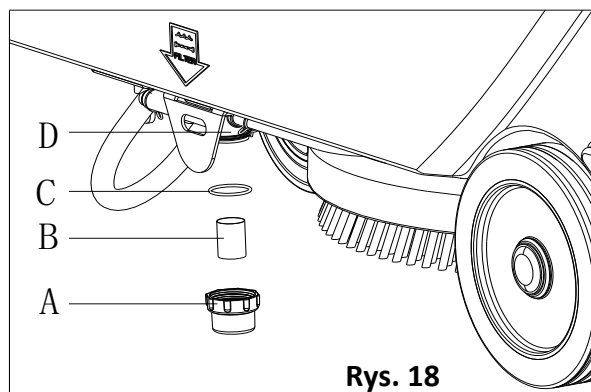
Więcej informacji na temat wbudowanej ładowarki (E, Rys. 17) znajduje się w stosownej instrukcji obsługi w centrum serwisowym

CZYSZCZENIE SZCZOTKI/PADA

**OSTROŻNIE!**

Zaleca się noszenie rękawic ochronnych do czyszczenia szczotki lub uchwytu pada, bo mogą zawierać resztki o ostrych krawędziach.

1. Zdjąć szczotkę/uchwyt pada z podstawy, zgodnie z opisem w poprzednich rozdziałach.
2. Szczotkę / płytę czyścić i myć wodą z detergentem.
3. Sprawdzić stan zużycia włosa szczotki i w razie konieczności szczotkę wymienić.
4. Sprawdzić stan zużycia pada do polerowania i w razie konieczności wymienić.



Rys. 18

CZYSZCZENIE FILTRA ROZTWORU MYJĄCEGO

1. Przesuń urządzenie na płaską i gładką powierzchnię.
2. Sprawdź czy jest na pewno wyłączone.
3. Opróżnij zbiornik roztworu myjącego (krok opcja).
4. Zdejmij osłonę filtra roztworu myjącego (A, Rys. 18) i wyczyść sitko filtra (B), po czym zamocuj ją z powrotem na ramce filtra (D).



INFORMACJA

Sitko filtra (B) należy prawidłowo ustawić w stosunku do obudowy ramy filtra (D).

CZYSZCZENIE SSAWY



INFORMACJA

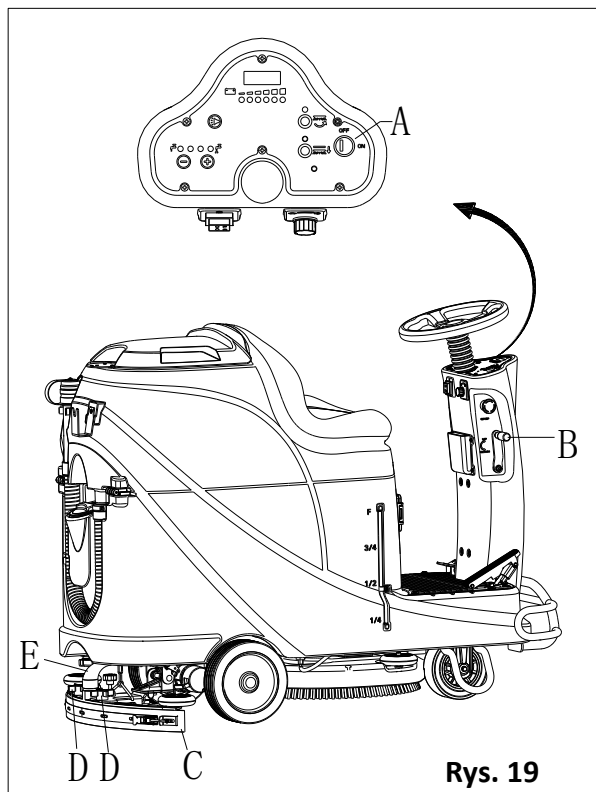
Żeby dysza ssąca dobrze spełniała swoją funkcję, musi być czysta, a jej pióra w dobrym stanie technicznym.



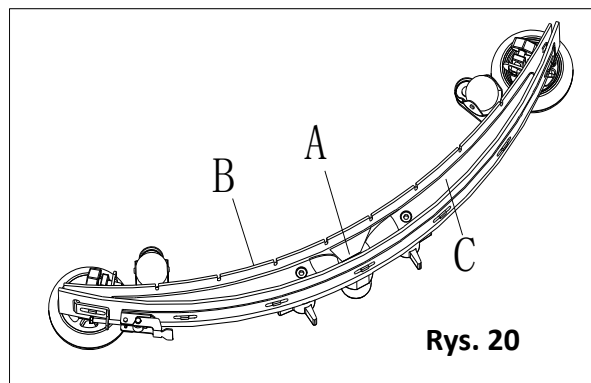
UWAGA!

Zaleca się noszenie rękawic ochronnych do czyszczenia ssawy, ponieważ resztki mogą mieć ostre krawędzie.

1. Urządzenie prowadź na poziomej powierzchni.
2. Obróć przełącznik kluczykowy (A, Rys. 9) do położenia OFF.
3. Obniż ssawę (B) za pomocą dźwigni (C).
4. Poluzuj nakrętki (D) w celu zdjęcia belki ssawy.
5. Odłącz wąż ssawy (E) od ściągaczki.
6. Wyczyść stalową lub aluminiową ściągaczkę, a szczególnie - wyczyść komory (A, Rys. 20) i otwory (B). Sprawdź pióro przednie (B) i tylne (C) - czy nie ma uszkodzeń, rozcięć, rozdarć i w razie potrzeby wymienić (zob. procedurę w kolejnym rozdziale).
7. Zamontuj belkę ssawy w odwrotnej kolejności procedury demontażu.



Rys. 19



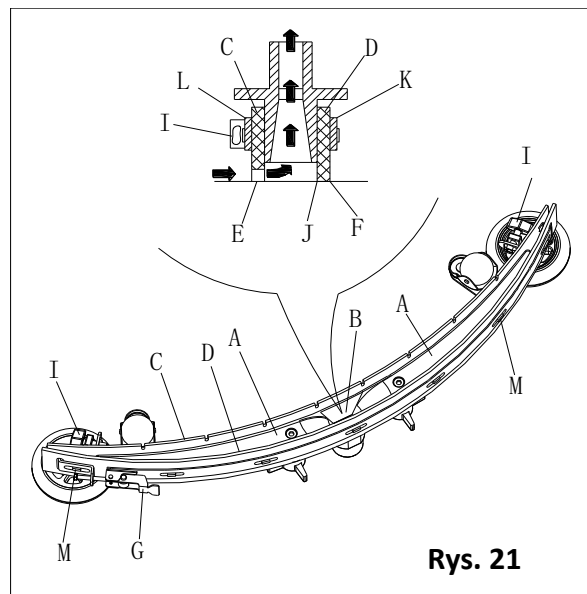
Rys. 20

KONTROLA I WYMIANA PIÓRA SSAWY

1. Ssawę, ze stali lub aluminium, czyść zgodnie z opisem w poprzednim akapicie.
2. Sprawdź krawędzie (E, Rys. 21) przedniego pióra (C) i krawędzie (F) tylnego pióra (D), ułóż je wzdłuż na tym samym poziomie; w razie konieczności wyreguluj ich wysokość wg następującej procedury:
 - Wyjmij cięgno (G), zdemontuj elementy mocujące (M) i wyreguluj tylne pióro (D), po czym zamontuj elementy mocujące (M) i zainstaluj cięgno (G).
 - Poluzuj pokrętła (I) i wyreguluj przednie pióro (C); następnie dokręć pokrętła.
3. Sprawdź pióro przednie (C) i tylne (D) - czy nie ma uszkodzeń, rozcięć, rozdarć i w razie potrzeby wymienić wg procedury poniżej. Sprawdź przedni róg (J) tylnego pióra (D) - czy nie jest zużyte; jeśli nie to obróć pióro w celu zamiany zużytego rogu na nieuszkodzony. Jeśli przeciwległe rogi są również zużyte, to wymienić pióro według następującej procedury:
 - Rozłącz cięgno (G), wymontuj elementy mocujące i wyjmij listwę ustalającą (M); po czym wymień/obróć tylne pióro (D). Zamontuj ssawę w odwrotnej kolejności procedury demontażu.
 - Odkręć pokrętła (I) aby wyjmiesz listwę ustalającą (L); po czym wymień przednie pióro (C). Zamontuj ssawę w odwrotnej kolejności procedury demontażu. Po wymianie piór (albo obróceniu), wyreguluj wysokość zgodnie z opisem w poprzednim kroku.
4. Podłącz wąż ssawy (A, Rys. 22) do belki ssącej.
5. Zamontować ssawę (B) i przykręć pokrętła (C).
6. W razie konieczności, wypoziomuj belkę ssawy pokrętłem (D).

CZYSZCZENIE FILTRA (SIATKOWEGO Z KULKĄ) ZBIORNIKA I ODKURZACZA ORAZ KONTROLA USZCZELKI POKRYWY

1. Urządzenie prowadź na poziomej powierzchni.
2. Urządzenie musi być wyłączone, a kluczyk zapłonu (40) wyjęty.
3. Otworzyć pokrywę zbiornika odzysku wody (A, Rys. 23) na 90 stopni, tak by dało się ją zdjąć ze zbiornika, po czym wyjąć filtr z separatorem (P) z tego zbiornika.
4. Czystą wodą umyć pokrywę zbiornika odzysku wody (A) i sam zbiornik (B), zbiornika czystej wody (C) oraz ramkę filtra (E). Opróżnić zbiornik odzysku przy pomocy węża spustowego (15).
5. W razie konieczności, kierując się symbolami „OPEN” (otwórz) i „CLOSE” (zamknij) pokazanymi na Rys. 23, otworzyć dolną osłonkę (F) filtra z separatorem i wyczyścić separator (D), ramkę (E) i gąbkę filtra (I). Po zakończeniu czyszczenia, zamontować separator (D) na ramce (E) i wyrównać rowek (L) dolnej osłonki filtra (F) z rowkiem ramki filtra (E). Mocno dokręcić dolną osłonkę filtra i zamocować gąbkę filtra (I) na ramce (E). Na koniec połączyć go z przewodem ssawy do odpadów (M).
6. Sprawdzić stan listwy uszczelniającej zbiornika.



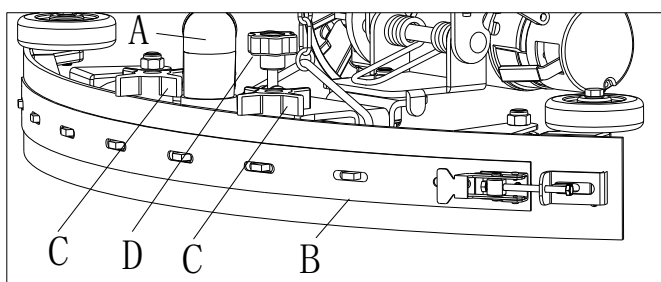
Rys. 21



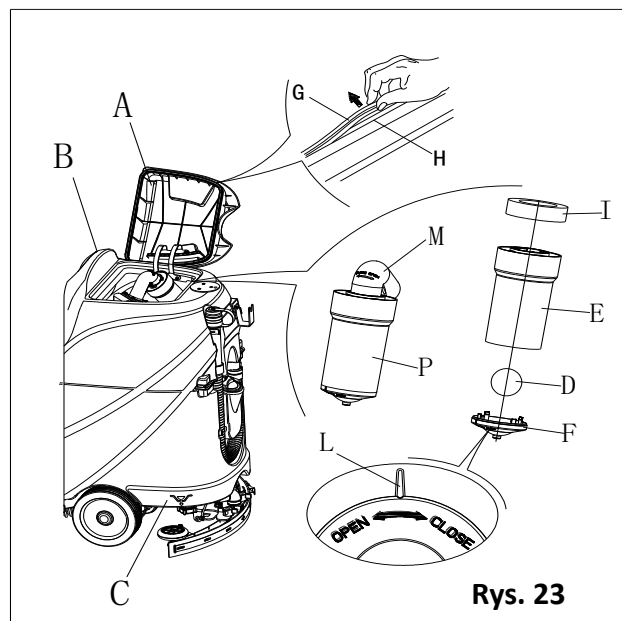
INFORMACJA

To dzięki listwie uszczelniającej (G) w zbiorniku wody powstaje podciśnienie w czasie pracy silnika ssania. Zbiornik musi być szczelny, by skutecznie zaciągać wodę z poziomu podłogi do zbiornika odzysku.

7. Skontrolować czy powierzchnia, do której przylega listwa uszczelniająca (G), jest nieuszkodzona i czy szczelność jest wystarczająca. Jeśli trzeba, wyjąć listwę uszczelniającą z rowka (H) w zbiorniku wody i wymienić ją. Zamontować nową listwę uszczelniającą zgodnie z Rys. 23, miejsce połączenia powinno być na środku.
8. Zamknąć pokrywę zbiornika odzysku wody (A).



Rys. 22



Rys. 23

KONTROLA I WYMIANA BEZPIECZENIKÓW

- Obróć przełącznik kluczykowy (D, Rys. 24) do położenia OFF.
- Odłącz łącznik kabla połączeniowego akumulatora.
- Wykręć śruby (C) na panelu sterowania, a następnie odwróć płytkę obwodu drukowanego i znajdź bezpiecznik (A i B).
- Skontroluj/wymień bezpieczniki:
 - F1 to bezpiecznik obwodu niskoprądowego (5A)
 - F3 to bezpiecznik odmontowania szczotki (20A)
- Po wykonaniu kontroli/wymiany, złoż w kolejności odwrotnej w stosunku do rozłożenia.
- Sprawdź lub zresetuj zabezpieczenie przeciążeniowe silnika.
 - F5 to ochrona silnika ssawy przed przeciążeniem (30A)
 - F4 to ochrona silnika napędowego przed przeciążeniem (30A)
 - F2 to ochrona silnika szczotki przed przeciążeniem (30A)

AKCESORIA/OPCJE

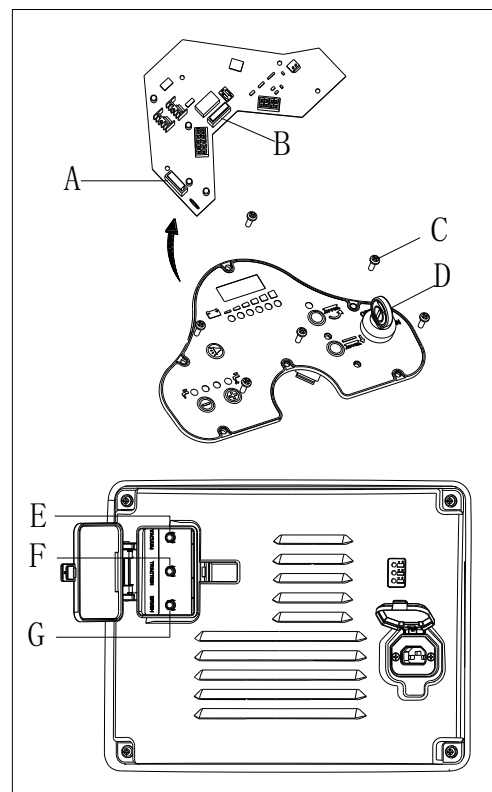
Poza elementami standardowymi, w wyposażeniu urządzenia mogą się znaleźć następujące akcesoria opcjonalne, uwzględniające specyficzne zastosowanie urządzenia.

Aby otrzymać więcej informacji nt. akcesoriów opcjonalnych, proszę się skontaktować z autoryzowanym sprzedawcą.

Akcesoria/Opcje

zob. "Lista części"

- Akumulatory żelowe / AGM.
- Pady z różnych materiałów



Rys. 24

USUWANIE USTEREK

Usterka	Możliwa przyczyna	Środek zaradczy
Silniki nie działają, nie świeci się żadna kontrolka (C9)	Łącznik akumulatora nie jest podłączony	Podłącz złącze akumulatorów.
	Akumulatory się zupełnie rozładowały	Naładuj akumulatory
Urządzenie nie działa, świeci się czerwona kontrolka stanu naładowania akumulatora (C8)	Akumulatory są na wyczerpaniu!	Naładuj akumulatory
Urządzenie nie jedzie do przodu ani wstecz	Usterka płytki sterowania	Wymień płytkę sterowania
	Usterka kontrolera silnika napędowego	Zob. „INFORMACJE PRZEKAZYWANE PRZEZ KONTROLKĘ BŁĘDU SILNIKA NAPĘDU”
	Nie ma operatora na siedzisku.	Usiądź na siedzisku w urządzeniu
	Nieuniesiona ssawa w trakcie cofania urządzenia	Podnieś ssawę
Silnik szczotki nie działa	Usterka płytki sterowania	Wymień płytkę sterowania
	Silnik szczotki przeciążony	Użyj szczotki do czyszczenia z miękkim włosiem i zresetuj zabezpieczenie przeciążeniowe silnika szczotki
	Usterka stycznika silnika szczotki	Skontaktuj się z punktem serwisowym
	Zużyta szczotka węglowa silnika szczotki	Skontaktuj się z punktem serwisowym
	Jakieś przedmioty blokują obrót szczotki	Oczyść szczotkę
Silnik napędowy nie działa	Świeci się kontrolka błędu silnika napędowego	Zob. „INFORMACJE PRZEKAZYWANE PRZEZ KONTROLKĘ BŁĘDU SILNIKA NAPĘDU”
	Przeciążenie silnika napędowego	Zresetuj zabezpieczenie silnika napędowego przed przeciążeniem i skontroluj silnik/obwód napędu

Silnik ssawy nie działa	Przeciążenie silnika ssawy	Zresetuj zabezpieczenie silnika ssawy przed przeciążeniem i skontroluj silnik ssawy
	Usterka przełącznika silnika ssawy	Skontaktuj się z punktem serwisowym
	Usterka płytki sterowania	Wymień płytkę sterowania
Ssanie jest niewystarczające, nie można wysuszyć podłogi	Zbiornik odzysku wody jest pełny.	Opróżnij zbiornik odzysku
	Nieprawidłowe połączenie węża spustowego i ssawy	Prawidłowo połącz wąż spustowy ze ssawą
	Zablokowany filtr pływakowy z separatorem	Wyczyść filtr i sprawdź położenie kulki
	Ssawa jest brudna lub zużyta	Sprawdź i oczyść ssawę
	Pokrywa zbiornika jest niedomknięta, albo uszczelka jest uszkodzona, bądź zatkała się rurka kolankowa	Domknij pokrywę, albo wymień uszczelkę, albo wyczyść rurkę.
	Zbiornik odzysku wody jest brudny	Wyczyść zbiornik odzysku
Niewystarczający dopływ roztworu myjącego do podstawy szczotki	Filtr roztworu jest zanieczyszczony	Wyczyść filtr
	Świeci się kontrolka pustego zbiornika na roztwór	Napełnij zbiornik na roztwór
	Zbiornik na roztwór jest zbyt brudny	Wyczyść zbiornik na roztwór
Ssawa zostawia ślady na podłodze	Pod piórami ssawy są śmieci.	Usuń śmieci
	Pióro ssawy jest zużyte, popękane lub pokruszone	Wymień pióro ssawy
	Ssawa nie jest wypoziomowana	Wypoziomuj ssawę
Usterka hamulca silnika napędu	Hamulec jest zablokowany	Zwolnij hamulec

INFORMACJE PRZEKAZYWANE PRZEZ KONTROLKĘ BŁĘDU SILNIKA NAPĘDU

KOD MIGANIA DIOD		USTERKA	MOŻLIWE PRZYCZYNY
1.1	□□	USTERKA TERMICZNA	<ol style="list-style-type: none"> 1. Temperatura >80°C albo < -10°C. 2. Nadmierny ciężar na pojeździe. 3. Praca w ekstremalnych warunkach. 4. Hamulec elektromagnetyczny nie zwalnia się.
1.2	□□□	USTERKA PRZEPUSTNICY	<ol style="list-style-type: none"> 1. Otwarty lub zwarty przewód wejściowy przepustnicy. 2. Wada potencjometru przepustnicy. 3. Wybrano niewłaściwy typ przepustnicy.
1.3	□□□□	WADA POTENCJOMETRU PRĘDKOŚCI	<ol style="list-style-type: none"> 1. Uszkodzony lub zwarty przewód (przewody) ograniczenia prędkości. 2. Uszkodzony potencjometr ograniczenia prędkości.
1.4	□□□□□	PODNAPIĘCIE	<ol style="list-style-type: none"> 1. Napięcie akumulatora <17 V 2. Wada połączenia przy akumulatorze albo kontrolerze.
1.5	□□□□□□	PRZEPIĘCIE	<ol style="list-style-type: none"> 1. Napięcie akumulatora > 31 V 2. Pojazd jeździ z podpiętą ładowarką. 3. Przerwane połączenie z akumulatorem.
2.1	□□□	WYŁĄCZONY STYCZNIK	<ol style="list-style-type: none"> 1. Awaria sterownika głównego stycznika w pozycji otwartej.
2.3	□□□□□	AWARIA STYCNIKA *	<ol style="list-style-type: none"> 1. Główny stycznik sczepiony lub zablokowany w pozycji otwartej. 2. Usterka sterownika głównego stycznika.
2.4	□□□□□□	WŁĄCZONY STYCZNIK	<ol style="list-style-type: none"> 1. Awaria sterownika głównego stycznika w pozycji zamkniętej.
3.1	□□□□	USTERKA OPRZEWODOWANIA *	<ol style="list-style-type: none"> 1. Nieprawidłowo wyregulowana przepustnica 2. Uszkodzony potencjometr albo mechanizm przepustnicy.

3.2	□□□□□	WŁĄCZONY HAMULEC	1. Zwarty sterownik hamulca elektromagn. 2. Otwarta cewka hamulca elektromagn.
3.3	□□□□□□	USTERKA WSTĘPNEGO ŁADOWANIA *	1. Zwarty sterownik hamulca. 2. Uszkodzony obwód wstępnego ładowania. 3. Awaria MOSFET.
3.4	□□□□□□□	WYŁĄCZONY HAMULEC	1. Otwarty sterownik hamulca elektromagn. 2. Zwarta cewka hamulca elektromagn.
3.5	□□□□□□□□	USTERKA HPD	1. Nieprawidłowa kolejność wejść przepustnicy i KSI, pchania i hamowania. 2. Nieprawidłowo wyregulowany potencjometr przepustnicy.
4.1	□□□□□	USTERKA WYKRYWANIA PRĄDU *	1. Zwarcie w silniku lub okablowaniu sinika. 2. Awaria kontrolera.
4.2	□□□□□□	SPRZĘT BEZPIECZNY W RAZIE USZKODZENIA *	1. Napięcie silnika nie odpowiada żądaniu przepustnicy. 2. Zwarcie w silniku lub okablowaniu sinika. 3. Awaria kontrolera.
4.3	□□□□□□□	USTERKA SUMY KONTROLNEJ EEPROM †	1. Wada lub usterka EEPROM.
4.5	□□□□□□□□□	ROZŁĄCZENIE AKUMULATORA *	1. Akumulator niepołączony. 2. Słabe połączenie na zaciskach akumulatora.

* = Do usunięcia błędu trzeba wykonać cykl na przełączniku kluczykowym.

† = Do usunięcia błędu trzeba użyć programatora, w następujący sposób: wybierz Program menu, zmień wartość danych dowolnego parametru, wykonaj cykl na przełączniku kluczykowym.



INFORMACJA

Urządzenie z wbudowaną ładowarką nie działa w sytuacji awarii ładowarki. W takiej sytuacji, prosimy o kontakt z autoryzowanym punktem serwisowym

UTYLIZACJA

Utylizację urządzenia zlecić specjalistycznej firmie.

Przed utylizacją, wyjąć i posegregować poniższe podzespoły, które zgodnie z przepisami należy utylizować odrębnie.

- Akumulator
- Szczotka/uchwyt pada
- Przewody i elementy z tworzyw sztucznych
- Elementy elektryczne i elektroniczne (*)

(*) Prosimy o kontakt z naszym punktem serwisowym w celu utylizacji elementów elektrycznych i elektronicznych.

TARTALOMJEGYZÉK

BEVEZETÉ	331
KEZELÉSI ÚTMUTATÓ TARTALMA ÉS SZEREPE.....	331
HOL TARTSA AZ ÚTMUTATÓT.....	331
MEGFELELŐSÉGI NYILATKOZAT.....	331
KIEGÉSZÍTŐK ÉS KARBANTARTÁS.....	331
VÁLTOZTATÁS ÉS FEJLESZTÉS.....	331
ALKALMAZÁS HATÁLYA.....	331
GÉP AZONOSÍTÁSI ADATOK.....	331
SZÁLLÍTÁS ÉS KICSOMAGOLÁS.....	331
BIZTONSÁG	332
A HASZNÁLATI UTASÍTÁSOKBAN MEGJELENŐ SZIMBÓLUMOK.....	332
ÁLTALÁNOS BIZTONSÁGI INSTRUKCIÓK.....	332
BERENDEZÉS LEÍRÁS	334
BERENDEZÉS SZERKEZET.....	334
VEZÉRLŐPANEL.....	335
A LED KIJELZŐN MEGJELENŐ INFORMÁCIÓK.....	335
TÖLTÉST INDIKÁLÓ KIJELZŐ.....	335
MŰSZAKI ADATOK.....	336
KÖRDIAGRAMM.....	337
HASZNÁLATI ÚTMUTATÓ	339
ÚJ AKKUMULÁTOR TELEPÍTÉSE ÉS BEÁLLÍTÁSA.....	339
AKKUMULÁTOR BEHELYEZÉSE ÉS AKKUMULÁTOR-TÍPUS BEÁLLÍTÁS (WET VAGY GEL/AGM).....	339
VÉSZFÉKEZŐ.....	341
KEFE/FOGANAT TELEPÍTÉSE ÉS ELTÁVOLÍTÁSA.....	341
GUMITÖRLŐ EGYENSÚLYÁNAK SZABÁLYOZÁSA.....	342
OLDATTARTÁLY FELTÖLTÉSE.....	342
GÉP BEINDÍTÁSA ÉS LEÁLLÍTÁSA.....	343
A GÉP MŰKÖDÉSE (SÚROLÁS ÉS SZÁRÍTÁS).....	344
ÜRES TARTÁLY.....	345
A BERENDEZÉS HASZNÁLATA UTÁN.....	345
HOSSZÚ INAKTIVITÁSI IDŐSZAK.....	345
HASZNÁLAT AZ ELSŐ ALKALOMMAL.....	346
KARBANTARTÁS	346
ÜTEMEZETT KARBANTARTÁSI TÁBLÁZAT.....	346
AKKUMULÁTOR TÖLTÉS.....	346
KEFE/PÁRNA TISZTÍTÁSA.....	347
OLDATTARTÁLY TISZTÍTÁSA.....	348
GUMITÖRLŐ TISZTÍTÁSA.....	348
GUMITÖRLŐ PENGE ELLENŐRZÉSE ÉS CSERÉJE.....	348
TARTÁLY ÉS SZVÓRÁCS LEBEGŐ GOLYÓ TISZTÍTÁSSAL, ÉS FEDÉLTÖMÍTÉS ELLENŐRZÉS.....	349
BIZTOSÍTÉK ELLENŐRZÉSE/CSERÉJE.....	350
TARTOZÉKOK/OPCIÓK.....	350
HIBAELHÁRÍTÁS	350
LESELEJTEZÉS	352

BEVEZETÉ



MEGJEGYZÉS

A zárójelben lévő számok a Gépleírás fejezetben feltüntetett komponenseket jelölik.

KEZELÉSI ÚTMUTATÓ TARTALMA ÉS SZEREPE

Ezen használati útmutató célja, hogy a gépkezelő rendelkezzen a gép megfelelő és biztonságos működtetéséhez szükséges információkkal. Tartalmaz technikai, biztonsági, kezelési, tárolási, karbantartási, pótalkatrész, illetve szétszerelési információkat.

Bármilyen gépen végzett eljárás előtt, még a gépkezelők és képzett szakemberek is el kell, hogy olvassák a kezelési útmutatót. Keresse fel cégünk szerviz központját bármilyen kérdéssel az útmutató kapcsán, illetve amennyiben további információra van szüksége.

A gépkezelők nem hajthatnak végre semmiféle eljárást a gépen, melyet csak képzett szakemberek végezhetnek el. Cégünk nem vállal felelősséget ezen megkötések be nem tartásából fakadó károkért.

HOL TARTSA AZ ÚTMUTATÓT

Az útmutatót a gép közelében kell tartani, megfelelő környezetben, folyadéktól és egyéb olyan anyagoktól távol, melyek kárt okozhatnak benne.

MEGFELELŐSÉGI NYILATKOZAT

A megfelelőségi nyilatkozat a gép tartozéka és igazolja a gép jog általi megfelelőségét.



MEGJEGYZÉS

Az eredeti megfelelőségi nyilatkozat másolatai a gép dokumentációval együtt található.

KIEGÉSZÍTŐK ÉS KARBANTARTÁS

Minden szükséges kezelési, karbantartási és javítási eljárást arra képzett személy végezhet el, vagy a cégünk által kijelölt szerviz központ. CSAK jóváhagyott pótalkatrészek és kiegészítők használhatóak.

Keresse fel cégünk vevőszolgálatát bármilyen kiegészítő és pótalkatrész vásárlása, szervizelése kapcsán, amennyiben szükséges.

VÁLTOZTATÁS ÉS FEJLESZTÉS

Folyamatosan fejlesztjük termékeinket és cégünk fenn tartja a jogot, hogy ezen változtatásokat további tájékoztatás nélkül tegye meg.

ALKALMAZÁS HATÁLYA

A súroló kereskedelmi és ipari felhasználásra is alkalmas. Megfelelő sima és szilárd padló takarítására, képzett személy kezelése és biztonságos körülmények mellett. Nem alkalmas kültéri használatra, illetve szőnyeg vagy durva padló tisztítására.

GÉP AZONOSÍTÁSI ADATOK

A gép sorozatszám és modell neve a sorozatcímkén vannak feltüntetve.

Ez hasznos információ. Használja az alábbi táblázatot és töltsse ki a gép azonosítási adatait amikor pótalkatrészeket rendel a géphez.

GÉP MODELL.....
GÉP SOROZATSZÁM.....

SZÁLLÍTÁS ÉS KICSOMAGOLÁS

Amikor a szállítványozó kiszállítja a gépet, bizonyosodjon meg róla, hogy a csomagolás és a gép teljes és sértetlen. Bármilyen sérülés esetén, jelentse azt a kiszállítónak és átvétel előtt éljen a sérülés miatti kompenzáció jogával.

Pontosan kövesse az utasításokat a gép kicsomagolásakor.

Ellenőrizze a csomagot és bizonyosodjon meg róla, hogy a következők mind benne vannak:

1. A felhasználói kézikönyv magában foglalja a különböző műszaki dokumentációkat és a fedélzeti töltő utasításait, amennyiben a fedélzeti töltő fel van szerelve.
2. Töltőkábel, amennyiben a fedélzeti töltő fel van szerelve.

BIZTONSÁG

A következő szimbólumok jelölik a potenciálisan veszélyes helyzeteket. Mindig figyelmesen olvassa el ezt az információt és elővigyázatosan járjon el a személyi és tulajdon védelem érdekében.

A HASZNÁLATI UTASÍTÁSOKBAN MEGJELENŐ SZIMBÓLUMOK



VESZÉLY!

Halálosan veszélyes helyzetet jelöl a gépkezelő számára.



FIGYELMEZTETÉS!

Potenciális sérülés veszélyét jelöli a gépkezelő számára.



KÖRÜLTEKINTÉS!

Fontos vagy hasznos információkra hívja fel a figyelmet.

Figyeljen az ezzel az ikonnal jelölt bekezdésekre.



MEGJEGYZÉS

Fontos vagy hasznos információkra hívja fel a figyelmet.



KONZULTÁCIÓ

Az útmutatóban leírt instrukciók pontos követésére hívja fel a figyelmet, mielőtt bármiféle eljárást végeznének a gépen.

ÁLTALÁNOS BIZTONSÁGI INSTRUKCIÓK

Előírások és figyelmeztetések potenciális emberi és gépi sérülésekről alább találhatóak.



VESZÉLY!

- A gépet kizárólag képzett és felhatalmazott személy kezelheti, a kézikönyv szabályai szerint.
- Bármilyen tisztítási, karbantartási, javítási vagy alkatrészcsere művelete előtt, figyelmesen olvassa el az utasításokat, biztosítsa, hogy a gép ki legyen kapcsolva és csatlakoztassa le az akkumulátor csatlakozóját.
- Ne használja a gépet mérgező, veszélyes, gyúlékony és/vagy robbanékony porfélék, folyadékok vagy gőzök közelében. A készülék nem alkalmas veszélyes porfélék összegyűjtésére.
- Ne viseljen ékszereket az elektromos alkatrészek közelében végzett munka közben.
- Ne dolgozzon a felemelt gép alatt, amennyiben az nincs biztonsági állványokkal megtámasztva.
- Ólom akkumulátor használatakor az gyúlékony gázt bocsáthat ki normál használat mellett, mindenképp tartsa távol szikrától, lángtól, füstölő és sugárzó anyagoktól, fényparasztó és égő eszközöktől.
- Ólom akkumulátor töltésekor az robbanásveszélyes hidrogén gázt bocsáthat ki. Biztosítsa, hogy a töltési környezet jól szellőzik és nyílt lángtól mentes.



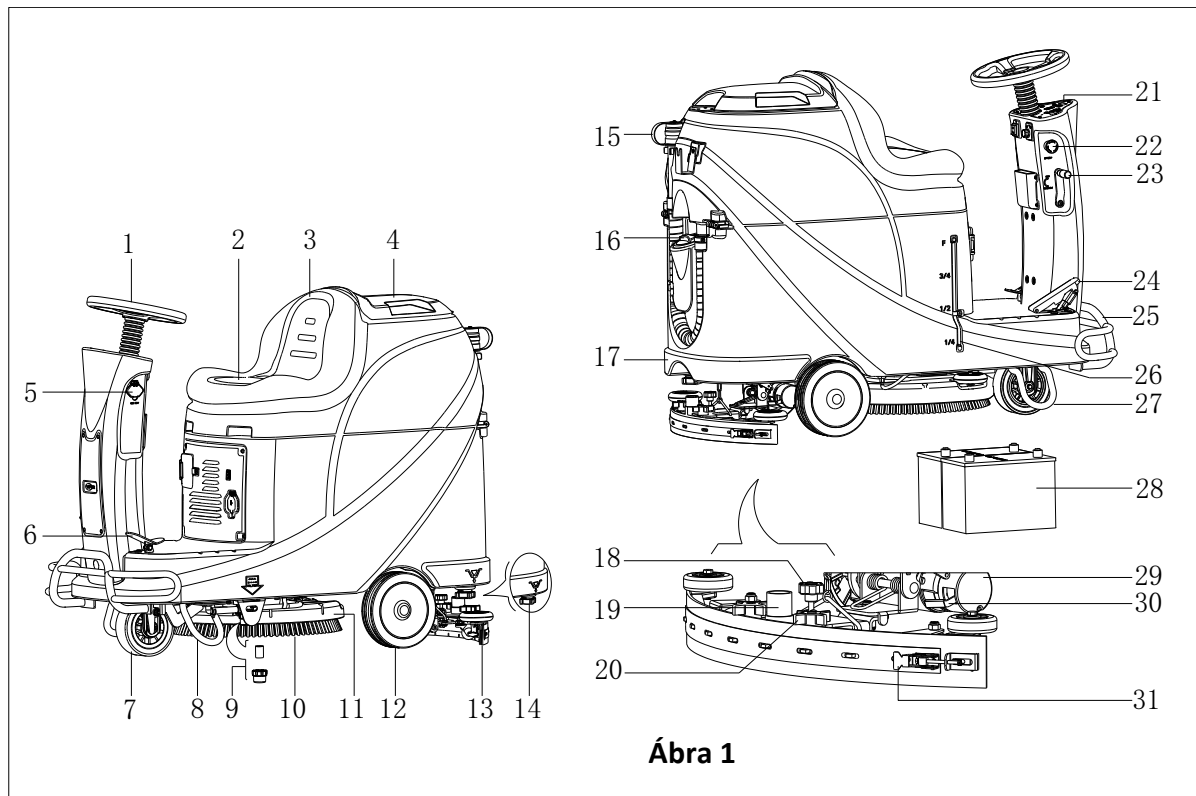
FIGYELMEZTETÉS!

- Minden használat előtt ellenőrizze a gépet figyelmesen. Biztosítsa, hogy az összes alkatrész megfelelően lett összeszerelve használat előtt. Elmulasztása személyi és tulajdoni sérüléshez vezethet.
- Az akkumulátor töltő használata előtt biztosítsa, hogy a hálózati frekvencia és feszültség értékei a gép sorozatcímkéjén feltüntetettekkel egyeznek.

- Soha ne mozgassa a gépet az akkumulátor töltő kábelénél fogva. Ne engedje a kábelt zárt ajtón keresztül, vagy éles széleken, sarkokon kanyarogni. Ne tolja át a gépet az akkumulátor töltő kábelén. Tartsa az akkumulátor töltő kábelt fűtött felületektől távol.
Ne töltsé az akkumulátort, ha az akkumulátor töltő kábel vagy annak csatlakozója sérült.
- Hogy csökkentse a tűz, áramütés vagy baleset esélyét, győződjön meg róla, hogy a gép ki van kapcsolva, mielőtt otthagyná.
- Használja és tárolja a gépet fedett helyen, nem engedett a kültéri használata.
- A gép tárolási és üzemi hőmérséklete is 0 °C és +40 °C között kell legyen, a levegő páratartalma 30% - 95% lehet.
- Ne használja olyan lejtőn, amelynek dőlésszöge meghaladja a specifikációban leírtakat.
- Padlótisztító mosószeres használatakor, kövesse a mosószeres üveg címkéjén található utasításokat és viseljen megfelelő kesztyűt és védőfelszerelést.
- Használjon a géphez mellékelte vagy a kézikönyvben leírtaknak megfelelő keféket és szivacsokat. Egyéb típusú kefék vagy szivacsok használata a biztonság csökkenéséhez vezethet.
- A készülék meghibásodása esetén, győződjön meg róla, hogy az nem a karbantartás hiánya miatt következett be. Szükség esetén, kérjen segítséget a felhatalmazott személytől vagy felhatalmazott szerviz központtól.
- Tegyen meg mindent annak érdekében, hogy ne kerüljön haj, ékszerek vagy laza ruházat a gép mozgó alkatrészeihez.
- Ne használja a gépet rendkívül poros környezetben.
Ne mossa a gépet direct vagy nyomás alatti vízszugárral, vagy maró anyagokkal.
- Ne ütközzön polcokkal vagy állványzatokkal, különösen, ahol leeső tárgyak veszélye áll fenn.
- Ne támasszon folyadék konténereket a gépnek, használja a megfelelő kannatartót.
- A padló védelme érdekében, ne hagyja a keféket, szivacsot álló helyben is dolgozni.
- Tűz esetén, használjon száraz porral oltó készüléket. Ne használjon folyékony tűzoltó készüléket.
- Ne távolítsa el vagy módosítsa a gép matricáit.
- Do not tamper with the machine safety guards and follow the ordinary maintenance instructions scrupulously.
- A gép szállításakor figyeljen rá, ha a hőmérséklet fagypont alatt van. A víz a gyűjtőtartályban és csövekben megfagyhat és komoly kárt tehet a gépben.
- Alkatrészcsere esetén, rendeljen EREDETI alkatrészeket egy Hivatalos forgalmazói és Kiskereskedőtől.
- Vigye a gépet a szerviz központba, amennyiben nem működik megfelelően vagy megsérült, kint hagyták, vízbe esett.
- A gép megfelelő és biztonságos működésének érdekében, a kézikönyvben található menetrendszerű karbantartást egy felhatalmazott személy vagy szerviz központ végezheti el.
- A gépet megfelelően kell leselejtezni, a mérgező/káros anyagok jelenléte miatt (akkumulátor, stb.), mivel ezek speciális leselejtezési előírások hatálya alá tartoznak (lásd a Selejtezési fejezetet).
- A gép egy takarító eszköz, semmilyen egyéb célra nem használható.
- Mindig tartsa a nyílásokat portól, hajtól és egyéb idegen anyagoktól tisztán, melyek csökkenthetik a légáramlást. Ne használja a gépet, ha a nyílások elzáródtak.
- Kizárólag megfelelő fény mellett használja a gépet.
- A gép nem használható csökkent fizikális, érzéki vagy mentális képességű egyének által, vagy a tapasztalat és tudás hiányában, hacsak nem kap az illető felügyeletet és útmutatást a gép használata során egy a munkavégző biztonságáért felelős személytől.
- Fokozott figyelem szükséges gyermekek közelében.
- A gyerekeket felügyelet alatt kell tartani, hogy biztosan ne játszanak a géppel.
- A gép használata közben vigyázzon, hogy ne tegyen kárt személyekben vagy tulajdonban.

BERENDEZÉS LEÍRÁS

BERENDEZÉS SZERKEZET (az Ábra 1 szerint)

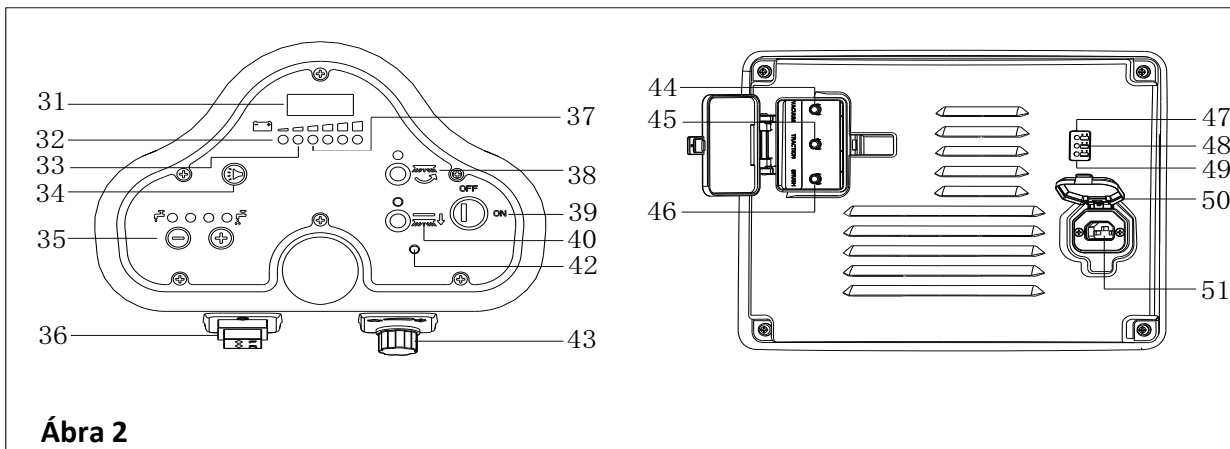


Ábra 1

- | | |
|-------------------------------------|---------------------------------------|
| 1. Kormánykerék | 17. Oldattartály |
| 2. Ülőpárna | 18. Gumibetét beállító gomb |
| 3. Gyűjtőtartály | 19. Vákuumtömlő |
| 4. Gyűjtőtartály fedél | 20. Gumilbetét gomb |
| 5. USB töltő port | 21. Vezérlőpult |
| 6. Pedál | 22. Biztonsági kapcsoló |
| 7. Első kerék | 23. Gumibetét emelés/süllyesztés kar |
| 8. Bal oldali konzolos alátámasztás | 24. Gyorsítópedál |
| 9. Oldatszűrő | 25. Első lökhárító |
| 10. Kefe | 26. Oldat szintjelző |
| 11. Kefe tető | 27. Jobb oldali konzolos alátámasztás |
| 12. Hátsó kerék | 28. Akkumulátor |
| 13. Gumilemezek | 29. Hajtómotor |
| 14. Oldat kimeneti fedél | 30. Féktuskó konzol |
| 15. Szennyvíz lefolyó tömlő | 31. Gumilemez retesz |
| 16. Víz tartály-fedél | |

BERENDEZÉS LEÍRÁS

VEZÉRLŐPANEL (az Ábra 2 szerint)



Ábra 2

- | | |
|---|---|
| 31. LED kijelző | 42. Hajtómotor meghibásodását jelző fény |
| 32. Lemerült akkumulátor figyelmeztetőlámpa (piros) | 43. Sebességbeállító gomb |
| 33. "Akkumulátor félig lemerült" jelző (sárga) | 44. Vákuummotor túlterhelésvédő |
| 34. Duda | 45. Hajtómotor túlterhelésvédő |
| 35. Oldat mennyiség beállító gomb | 46. Kefemotor túlterhelésvédő |
| 36. Előre-hátra kapcsoló | 47. "Az akkumulátor teljesen fel van töltve" jelző (zöld) |
| 37. Akkumulátor lemerült kijelző (zöld) | 48. "Akkumulátor félig feltöltött" jelző (sárga) |
| 38. Kefe gomb | 49. Akkumulátor töltöttség jelző (piros) |
| 39. Kulcsos kapcsoló | 50. Töltő csatlakozó fedél |
| 40. Kefe kioldó gomb | 51. Töltő csatlakozó |

A LED KIJELZŐN MEGJELENŐ INFORMÁCIÓK

STOP – A gép nem tud mozogni, ecset leáll, de a vákuummotor működhet

(00012.3) - A gép teljes munkaideje: 12,3 óra

L0-(18) - Az akkumulátor feszültsége kisebb, mint 18 V

U-(25,5) - Az akkumulátor feszültsége 25,5 V

ERR-01 - A gumilemez nincs felemelve, amikor a gép hátrafordul

TÖLTÉST INDIKÁLÓ KIJELZŐ (az Ábra 2 szerint)

1. A töltés elején, a töltő piros LED -je (49) rendszeren világít. Ez a töltés első lépése.
2. Miután már egy ideje tölt, a piros LED (49) töltést jelző kikapcsol, a sárga LED (48) kigyullad, ez a töltés második szakasza.
3. Amikor a töltés befejeződött, a sárga LED (48) kialszik, a zöld LED (47) kigyullad, jelezve, hogy az akkumulátor teljesen fel van töltve.

MEGJEGYZÉS



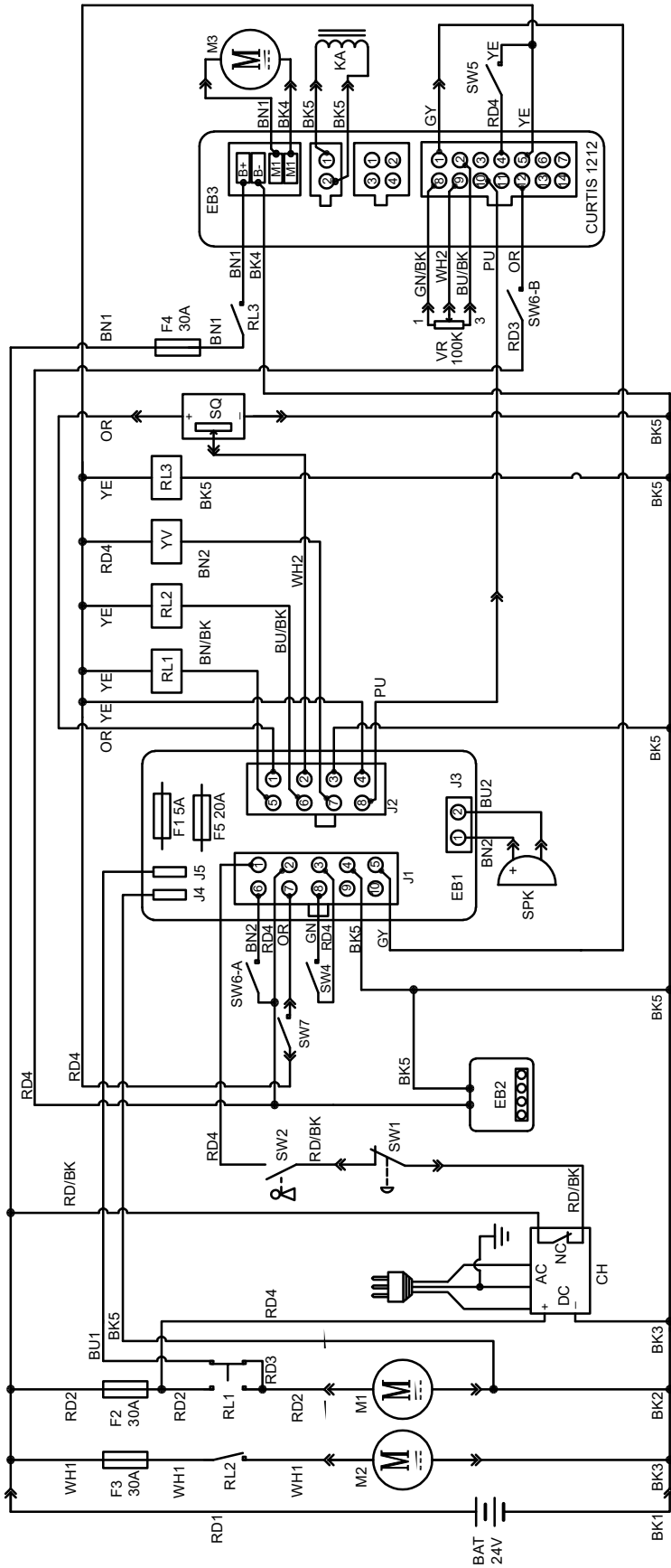
Ha a töltés folyamata során a sárga fény (48) be van kapcsolva, azt a következők okozhatják: Az akkumulátor és a töltő nem egyezik, az akkumulátor nincs megfelelően csatlakoztatva, vagy a kimenet rövidre zárt.

A töltő piros fényének villogását okozhatja a töltő belső rövidzárlata.

MŰSZAKI ADATOK

MODELL	AS530R	
Csomagolás méretei (H x Sz x M)	mm	1470*730*1310
Berendezés magassága	mm	1120
Berendezés hossza	mm	1360
Berendezés szélessége (gumitörő nélkül)	mm	580
Berendezés súlya üres tartályokkal (akkumulátorok nélkül)	Kg	140
Jármű bruttó súlya (GVW)	Kg	270
Szállítási súly	Kg	245
Oldattartály kapacitása	Liter	72
Szennyvíztartály kapacitása	Liter	73
Szívómotor teljesítménye	Watt	400
Szívás kapacitás	mm H ₂ O	1223
Mászás kapacitás (max.)	%	10
Elülső kerék átmérője	mm	φ175
Hátsó kerék átmérője	mm	φ230
Zajszint	dB(A)	69
Oldat-/vízáramlás	L/min	0.84-2.0
Munkaszélesség	mm	530
Gumitörő szélessége	mm	730
Kefe/párnaátmérő	mm	530
Kefemotor teljesítménye	Watt	450
Kefe sebessége	Rpm	160
Kefe-/párnanyomás (max.)	Kg	23
Motormeghajtó erő	Watt	300W
Munkasebesség	Km/h	5.5km/h
Feszültség	V	24V
Akkumulátor (opcionális)	Ah	2x100AH (20 óra)
Akkumulátor töltő (opcionális)	V/A	24V 10A
Akkumulátortartó rekesz mérete (H x Sz x M)	mm	350*380*300
USB töltő specifikáció	V/A	5V, 0.8A

KÖRDIAGRAMM



WIRE ROD		WIRE ROD	
RD1	RED/6AWG	BN/BK	BROWN/BLACK / 20AWG
RD2	RED/10AWG	BU1	BLUE/18AWG
RD3	RED/18AWG	BU2	BLUE/20AWG
RD4	RED/20AWG	BU/BK	BLUE/BLACK / 20AWG
RD/IBK	RED/BLACK / 20AWG	GN	GREEN/20AWG
BK1	BLACK/6AWG	GN/BK	GREEN/BLACK / 20AWG
BK2	BLACK/10AWG	GY	GRAY/20AWG
BK3	BLACK/12AWG	PU	PURPLE/20AWG
BK4	BLACK/14AWG	OR	ORANGE/20AWG
BK5	BLACK/18AWG	YE	YELLOW/20AWG
BN1	BROWN/14AWG	WH1	WHITE/12AWG
BN2	BROWN/20AWG	WH2	WHITE/20AWG

COMPONENTS		COMPONENTS	
BAT	24V BATTERIES	KA	BRAKE
CH	BATTERY CHARGER	M1	BRUSH MOTOR
EB1	CONTROL PANEL BOARD	M2	VACUUM MOTOR
EB2	USB CHARGING ELECTRONIC BOARD	M3	DRIVE MOTOR
EB3	DRIVE ELECTRONIC BOARD	SW1	EMERGENCY-STOP SWITCH
RL1	BRUSH MOEOR ELECTROM SWITCH	SW2	KEY SWITCH
RL2	VACUUM MOEOR ELECTROM SWITCH	SW4	VACUUM MOTOR SWITCH
RL3	DRIVE SYSTEM ELECTROM SWITCH	SW5	OPTIONAL MODE SWITCH
YV	WATER ELECTROVALVE	SW6-A	OPTIONAL REVERSE SWITCH
F1	CONTROL PANEL BOARD FUSE	SW6-B	OPTIONAL REVERSE SWITCH
F2	BRUSH MOTOR CIRCUIT BREAKER	SW7	SEAT SWITCH
F3	VACUUM MOTOR CIRCUIT BREAKER	SQ	FOOT THROTTLE
F4	DRIVE SYSTEM CIRCUIT BREAKER	SPK	12VDC BUZZER
F5	BRUSH RELEASE FUSE	VR	SPEED POTENTIOMETER

ALKATRÉSZEK		ALKATRÉSZEK	
BAT	24V AKKUMULÁTOROK	M1	KEFEMOTOR
CH	AKKUMULÁTORTÖLTŐ	M2	VÁKUUMMOTOR
EB1	VEZÉRLŐFELÜLET	M3	HAJTÓMOTOR
EB2	USB TÖLTÉS ELEKTROMOS VEZÉRLŐ	SW1	VÉSZKAPCSOLÓ
EB3	MEGHAJTÓ ELEKTROMOS VEZÉRLŐ	SW2	KULCSOS KAPCSOLÓ
RL1	KEFE MOEOR ELEKTROMOS KAPCSOLÓ		
RL2	VÁKUUM MOEOR ELEKTROMOS KAPCSOLÓ	SW4	VÁKUUMMOTOR KAPCSOLÓ
RL3	MEGHAJTÓRENDSZER ELEKTROMOS KAPCSOLÓ	SW5	OPCIONÁLIS MÓDVÁLTÓ
YV	VÍZ MÁGNESSELEP	SW6-A	OPCIONÁLIS KÉTIRÁNYÚ KAPCSOLÓ
F1	VEZÉRLŐFELÜLET BIZTOSÍTÉK	SW6-B	OPCIONÁLIS KÉTIRÁNYÚ KAPCSOLÓ
F2	KEFEMOTOR MEGSZAKÍTÓ	SW7	ÜLÉSKAPCSOLÓ
F3	VÁKUUMMOTOR MEGSZAKÍTÓ	SQ	GÁZPEDÁL
F4	MEGHAJTÓRENDSZER MEGSZAKÍTÓ	SPK	12VDC BERREGŐ
F5	KEFE FELENGEDÉS BIZTOSÍTÉK	VR	SEBESSÉG POTENCIOMÉTER
KA	FÉK		

HUZAL		HUZAL	
RD1	PIROS / 6AWG	BN/BK	BARNA / FEKETE / 20AWG
RD2	PIROS / 10AWG	BU1	KÉK / 18AWG
RD3	PIROS / 18AWG	BU2	KÉK / 20AWG
RD4	PIROS / 20AWG	BU/BK	KÉK / FEKETE / 20 AWG
RD/BK	PIROS / FEKETE / 20AWG	GN	ZÖLD / 20AWG
BK1	FEKETE / 6AWG	GN/BK	ZÖLD / FEKETE / 20AWG
BK2	FEKETE / 10AWG	GY	SZÜRKE / 20AWG
BK3	BLACK / 12AWG	PU	LILA / 20AWG
BK4	FEKETE / 14AWG	OR	NARANCSSÁRGA / 20AWG
BK5	FEKETE / 18 AWG	YE	SÁRGA / 20AWG
BN1	BARNA / 14AWG	WH1	FEHÉR / 12 AWG
BN2	BARNA / 20AWG	WH2	FEHÉR / 20AWG

HASZNÁLATI ÚTMUTATÓ



FIGYELMEZTETÉS!

Fordítson kiemelt figyelmet a következő jeleknek ebben a kézikönyvben:

- VESZÉLY!
- FIGYELMEZTETÉS!
- KÖRÜLTEKINTÉS!
- KONZULTÁCIÓ

Soha, semmilyen okból ne takarja le ezeket a szimbólumokat a gépen, azonnal cserélje le őket amennyiben megsérülnek.

ÚJ AKKUMULÁTOR TELEPÍTÉSE ÉS BEÁLLÍTÁSA



FIGYELMEZTETÉS!

A gép elektromos alkatrészei súlyosan sérülhetnek, amennyiben az akkumulátorok nem megfelelően vannak telepítve vagy csatlakoztatva.

Az akkumulátorokat egy szakembernek kell telepítenie. Állítsa be az akkumulátor töltőt (opcionális) és a gép PCBA-t az akkumulátor típusának megfelelően (WET vagy GEL/AGM).

Ellenőrizze, hogy az elemek nem sérültek-e a telepítés előtt.

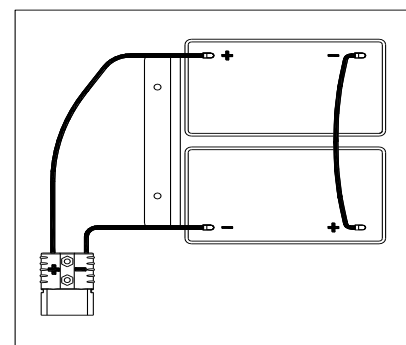
Válassza le az akkumulátor csatlakozóját és az akkumulátor töltőt csatlakozóját.

Óvatosan kezelje az akkumulátorokat.



MEGJEGYZÉS

A géphez két 12V akkumulátor szükséges a Ábra 3 szerint.



Ábra 3

A gépet a következő akkumulátor módokban lehet működtetni:

A) A WET vagy GEL/AGM akkumulátorok már telepítve vannak, és használatra készen állnak.

1. Ellenőrizze az elemeket, és csatlakoztassa az akkumulátor csatlakozóját a géphez.
2. Helyezze a kulcsos kapcsolót (40), és fordítsa "on" (be) állásba. Ha a zöld fény (37) kigyullad, az akkumulátorok teljesen feltöltöttek; Ha a sárga vagy a piros lámpa (33 vagy 32) ég, az akkumulátorokat fel kell tölteni.

B) Akkumulátorok nélkül

1. Ha a készülék nincs felszerelve akkumulátorokkal, szerezze be a megfelelőket [Lásd: Műszaki adatok fejezet]. Az akkumulátor kiválasztásával és telepítésével kapcsolatban forduljon szakképzett akkumulátor kiskereskedőkhöz.
2. Amikor az akkumulátorok készen állnak, állítsa be a készüléket és a töltőt a telepített akkumulátorok típusának megfelelően, majd kövesse a következő bekezdésben bemutatott eljárásokat.

AKKUMULÁTOR BEHELYEZÉSE ÉS AKKUMULÁTOR-TÍPUS BEÁLLÍTÁS (WET VAGY GEL/AGM)

Állítsa be a gép elektronikus áramkörét és az akkumulátortöltőjét az akkumulátorok típusainak megfelelően (WET vagy GEL/AGM) a következő lépéseket követve:





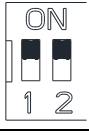
MEGJEGYZÉS

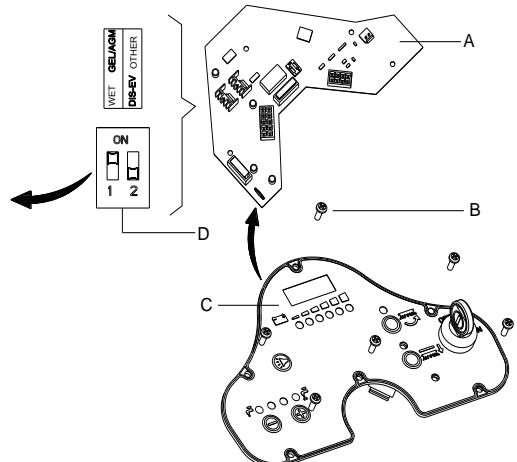
Amikor telepíti az új akkumulátorokat, kövesse a Ábra 4 a DIP kapcsoló beállításához, különben az akkumulátorok sérülhetnek a nem megfelelő beállítás következtében.

Gépbeállítás

1. Helyezze be a kulcsos kapcsolót (40), és forgassa "ON" (be) állásba, és figyeljen az alábbiakra a gép indulásának első másodperceinél:
 - Ha a zöld fény (37) felvillan, a gép GEL/AGM akkumulátorok használatára van beállítva.
 - Ha a sárga fény (33) felvillan, a gép Discover EV AGM akkumulátorok használatára van beállítva.
 - Ha a piros lámpa (32) felvillan, a gép WET akkumulátorok használatára van beállítva.
2. Kövesse az alábbi lépéseket a gép beállításainak megváltoztatásához.
3. A gyári beállítás szerint a gép Discover EV AGM akkumulátorok használatára van beállítva. Ha a beállítás megfelel a kiválasztott akkumulátoroknak, folytassa közvetlenül a 6. lépéssel vagy kövesse a következő lépést.
4. Csavarja ki a csavart (B, Ábra 4) a vezérlőpulton, majd fordítsa meg a pulton a PCBA-t (A), hogy megtalálja a DIP kapcsolót (D), majd kövesse a Ábra 4 a DIP beállításokért.

5. Végezze el fordított sorrendben a szétszerelés lépéseit az irányítópult összeszereléséhez, majd rögzítse a csavart miután a beállítás megtörtént.

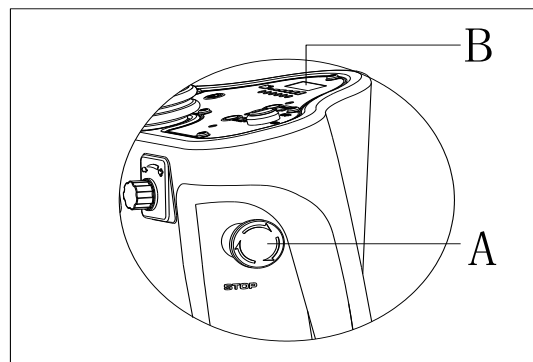
1		WET AKKUMULÁTOROK (MEGJEGYZÉS: Kapcsolja a DIP kapcsoló 1. és 2. kapcsolóját "OFF" (ki) állásba)
2		DISCOVEREV AGM AKKUMULÁTOROK (MEGJEGYZÉS: Kapcsolja a DIP kapcsoló 1. kapcsolóját "ON" (be), 2. kapcsolóját "OFF" (ki) állásba)
3		ÁLTALÁNOS GEL/AGM AKKUMULÁTOROK (MEGJEGYZÉS: Kapcsolja a DIP kapcsoló 1. és 2. kapcsolóját "ON" (be) állásba)



Ábra 4

Akkumulátorok behelyezése

6. Nyissa fel a szennyvíztartály fedelét (4) és ellenőrizze, hogy a szennyvíztartály (3) üres-e; ellenkező esetben erressze le a leeresztő tömlő segítségével (15).
7. Helyezze vissza a szennyvíztartály fedelét (4).
8. Óvatosan fordítsa fejjel lefelé a szennyvíztartályt (3).
9. A berendezést 2x12 V akkumulátor telepítését támogató kábelekkel szállítjuk. Óvatosan helyezze az akkumulátorokat a rekeszbe, majd helyesen szerelje be őket.
10. Az akkumulátor kábelt megfelelően vezesse és szerelje be (Ábra 3), majd óvatosan szorítsa meg az akkumulátorcsatlakozók anyáját.
11. A csatlakozókra helyezze rá a védőtapaszt, majd helyezze fel az akkumulátor konnektort.
12. Óvatosan engedje le a szennyvíztartályt (3).



Ábra 5

Charging the Batteries

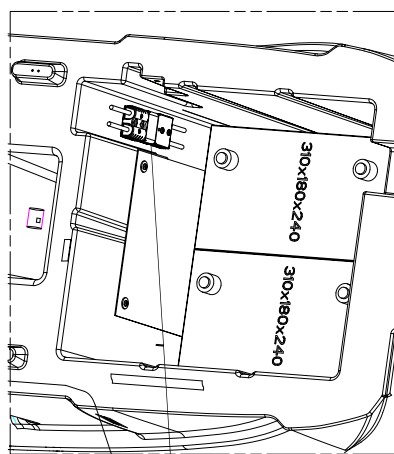
13. Az akkumulátorok feltöltése. [Lásd: KARBANTARTÁS fejezetetek].

Akkumulátortöltő beállítása (kizárólag fedélzeti töltő esetén)

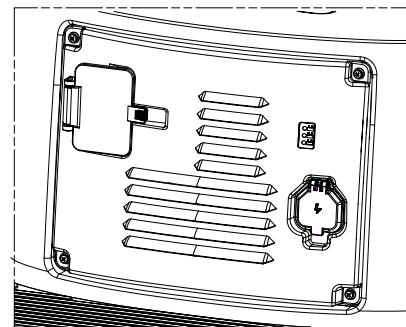
Akkumulátor töltő

Az akkumulátor töltő a hátsó burkolat alatt helyezkedik el és közvetlenül csatlakozik az akkumulátorokhoz. A töltőt egy mikroprocesszor irányítja és eltérő töltési görbéket használ az optimális teljesítmény érdekében az eltérő akkumulátorokhoz.

1. Válassza le az akkumulátorokhoz vezető kábelcsatlakozót.
2. Vegye le a hátsó burkolatot.
3. Távolítsa el a 4 csavarját (B) és vegye ki a töltőt (A).



Disconnect the connector



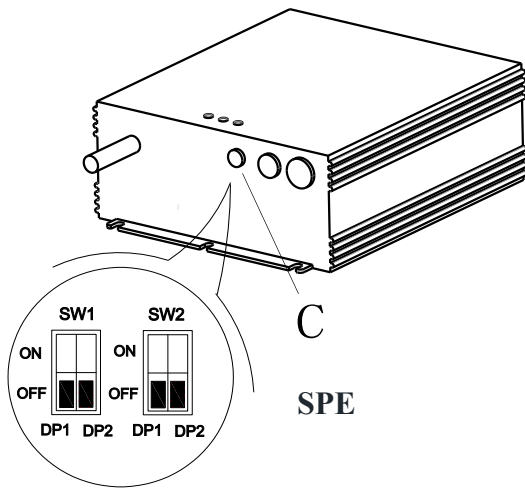
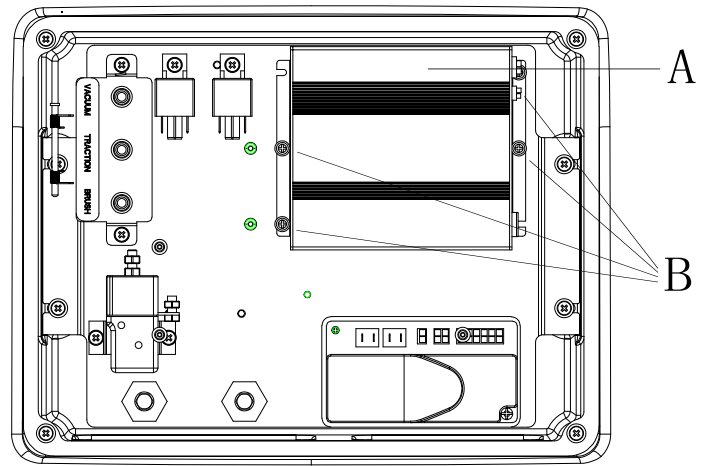
Rear cover

DIP-kapcsolós akkumulátortípus

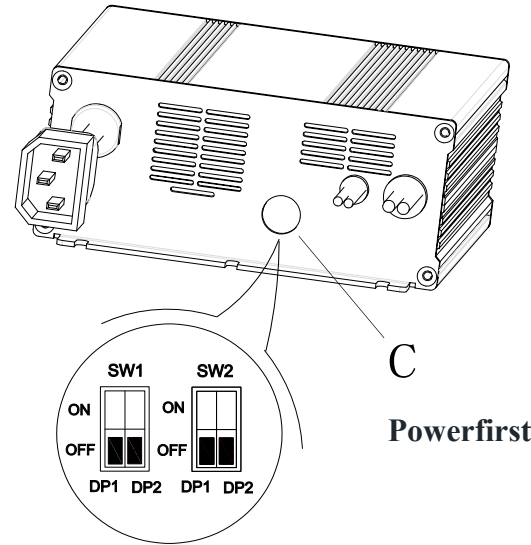
A töltő működését 4 darab DIP-kapcsoló (2 pár) irányítja a hátsó burkolat alatt. A második 2 kapcsolót tilos megérinteni, hacsak nem cserélték a töltőt, és ellenőrizni kell a pozíciójukat, beállítani az akkumulátor feszültségét (24V) és maximális áramerősségét (10A), és mindig Ki állapotban kell legyenek.

Az első 2 kapcsoló egy műanyag dugón keresztül érhető el, a töltő felnyitása nélkül. Ezek a kapcsolók állítják be az egyes akkumulátortípusokhoz használt töltési görbe típusát. A görbe típusa fejezi ki az akkumulátorba vezetett áramerősség és feszültség mennyiségét és módját a töltési ciklus különböző fázisai során.

1. Távolítsa el a DIP-kapcsoló szerelő furatát (C) borító műanyag dugót.
2. Állítsa be az első 2 DIP-kapcsolót (SW1) az alábbi táblázat alapján.
3. Cserélje ki a műanyag dugót.



Curve/Battery Type	SW1		SW2	
	D1	D2	D1	D2
IUIa Wet	On	Off		
IUIa Gel Exide	Off	Off	Off	Off
IUoU AGM	Off	On		
IUIa AGM Discover	On	On		



Curve/Battery Type	SW1		SW2	
	D1	D2	D1	D2
IUIa Wet	On	Off		
IUIa Gel Exide	Off	Off	Off	Off
IUUa AGM	Off	On		
IUIa AGM Discover	On	On		

VÉSZFÉKEZŐ

Amennyiben vészhelyzet lép fel a gép működése során, nyomja meg a vészkapcsolót (A, Ábra 5), minek következtében a gép összes funkciója leáll és a kijelzőpanel nem jelez ki semmit (B, Ábra 5).

KEFE/FOGANAT TELEPÍTÉSE ÉS ELTÁVOLÍTÁSA



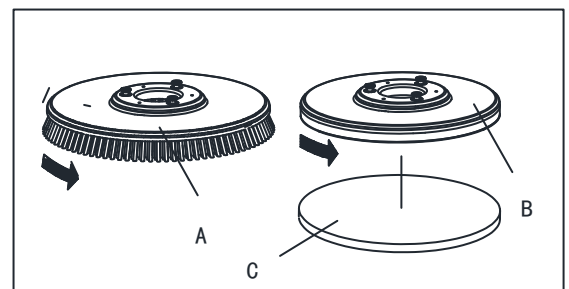
MEGJEGYZÉS

Telepítse a megfelelő kefét (A, Ábra 6), vagy fogonatot (B és C, Ábra 6) a tisztítandó padló típusának megfelelően.



FIGYELEM

A kefe vagy a fogonát telepítése vagy eltávolítása előtt győződjön meg róla, hogy a gép minden kapcsolója kikapcsolt helyzetben van, és a gumitörlő fel van emelve a padlóról. A gép működtetőjét megfelelő személyi védelmi eszközökkel kell ellátni, mint például kesztyűvel, ami csökkenti a balesetek kockázatát. Folytassa a következővel:



Ábra 6

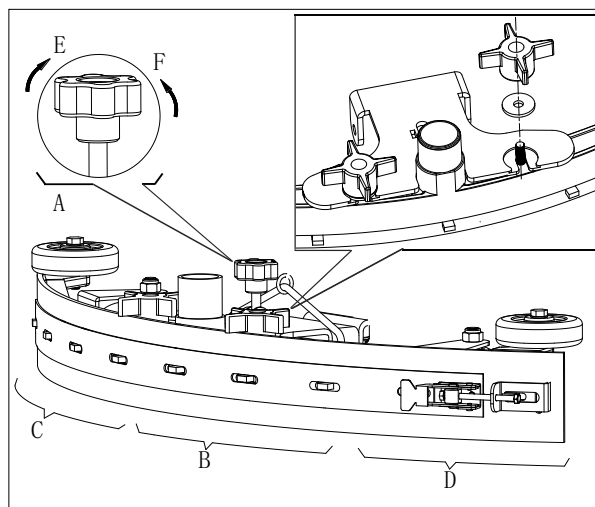
1. Helyezze be a kulcsos kapcsolót (40) és fordítsa "ON" (be) állásba.
2. Nyomja be egyenesen a pedált (6) a lábával a kefe-szerelvény (11) felemeléséhez a padlóról.
3. Forgassa a sebességbeállító gombot (42) az óramutató járásával ellentétesen a végéig.
4. Igazítsa a kefe (A, Ábra 5), vagy fogant (B, Ábra 5) központját a kefe tetejéhez.
5. Nyomja a pedált (6) visszafelé a lábával, hogy lejjebb állítsa a kefe-szerelvényt (11). Üljön az ülésre, nyomja meg a kefe gombot (39) és nyomja be kissé a pedált (23), a kefe/fogant automatikusan összeállhat. Ismétlje meg ezeket a lépéseket, amíg kefe/fogant telepítésre kerül.
6. Amennyiben az 5. lépés nem megfelelően telepítette a kefét/fogantot, kérjük kézzel vegye le a kefét/fogantot.
7. Nyomja a pedált (6) előre a lábával, hogy felemelje a kefe-szerelvényt (11) a padlóról, nyomja meg kefe eltávolítása gombot (41), az automatikus eltávolításhoz.

**FIGYELEM!**

Forgassa a sebességbeállító gombot (42) a minimális sebességre, mielőtt megnyomná a gyorsító pedált (6), a gép túl gyorsan történő elindulásának elkerüléséért. Ellenőrizze, hogy a kefe/fogant helyesen van telepítve, mielőtt működésbe hozza a gépet.

GUMITÖRLŐ EGYENSÚLYÁNAK SZABÁLYOZÁSA

1. Telepítse a gumitörlőt (13) és rögzítse a gumitörlő gombot (20), majd csatlakoztassa a vákuumcsövet (19) a gumitörlőhöz.
2. Állítsa be a gumitörlőt a gumitörlő szabályzó karral (A, Ábra 7).
 - a) Ha rés van a padló és a hátsó gumitörlő lap középső része között (B), állítson a fogantyún (A) az óramutató járásával ellentétes irányba (F), míg a hátsó gumitörlő lap egésze nem érintkezik jól a padlóval, az első lap pedig épp csak érinti azt.
 - b) Ha rés van a padló és a hátsó gumitörlő lap mindkét széle között (C és D), állítson a fogantyún (A) az óramutató járásával egyező irányba (E), míg a teljes hátsó gumitörlő lap jól nem érintkezik a padlóval, az első lap pedig épp csak érinti azt.



Ábra 7

OLDATTARTÁLY FELTÖLTÉSE

1. Nyissa ki a vízbemeneti fedelet (E, Ábra 8).
2. A szűrős vízfeltöltő nyíláson keresztül töltsön fel vizet vagy a végezni kívánt munkának megfelelő oldatot. Az oldat hőmérséklete nem haladhatja meg a +104F (+40 °C)-ot.
3. A tartályt ne töltsse túl, a vízmennyiség végett hivatkozzon a vízszint jelzőre (G).

**FIGYELEM!**

Csak alacsony habzású és nem gyúlékony, automatikus padlómosó alkalmazásokhoz gyártott tisztítószeret használjon.

Hajtómotor ellenőrzése

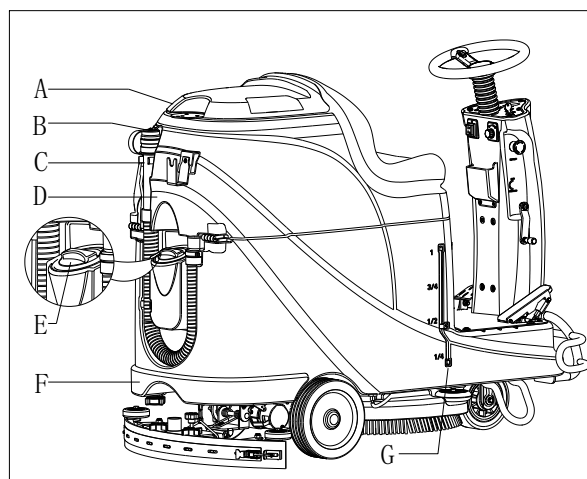
1. Fordítsa a kulcsos kapcsolót (A, Ábra 9) "ON" (be) állásba.
2. Nyomja le a gyorsító pedált (C) enyhén, majd engedje vissza, hogy ellenőrizze, hogy a gép kormányozható és megállítható.
3. Biztonságának érdekében győződjön meg róla, hogy a gép bármikor leállítható a vészleállító gomb (B) segítségével. Forgassa a vészleállító gombot, hogy visszaállítsa azt.

**FIGYELEM**

A gép kapaszkodóképessége nem haladhatja meg a 10% -ot.

**FIGYELEM**

A hajtómotor fékje elengedett, ha a motor normálisan működik, és rögzített, amennyiben a motor leáll.



Ábra 8

- Fék elengedett - a fék fogantyúja (D, Ábra 9) fent helyezkedik el
 - Fék rögzítve - a fék fogantyúja alacsonyabban helyezkedik el
- Egyes speciális esetekben, mint például a gép csomagolás/ kicsomagolás, géphiba stb., a gép hajtómotor nélküli mozgása esetén kérjük, kézzel engedje ki a féket, hogy mozgathassa azt. A biztonsági kockázatok elkerülése érdekében bizonyosodjon meg róla, hogy a féket rögzítette a gép mozgását követően.

GÉP BEINDÍTÁSA ÉS LEÁLLÍTÁSA

A gép beinfítása

1. Készítse elő a gépet, az előző bekezdésben leírtak szerint.
2. Üljön az ülésre (L, Ábra 10), helyezze be a kulcsos kapcsolót (A) és állítsa "ON" (be) állásba. Ha a zöld LED (C) világít, az akkumulátor teljesen feltöltött és használatra kész. Ha a sárga (E) vagy a piros fény (D) világít, az akkumulátoroknak még tölteniük kell a működés megkezdése előtt. [Lásd: a KARBANTARTÁS fejezeteket az akkumulátorok töltéséhez]
3. Engedje le a gumilemezeket a padlóra.



MEGJEGYZÉS

Ellenőrizze, hogy a gumilemezek fel vannak emelve, mielőtt a gépet hátrafelé kormányozná, különben a gép leáll és a LED kijelző "Error" hibaüzenetet jelez.

4. Engedje le a kezét a padlóra.



MEGJEGYZÉS

Győződjön meg róla, hogy kikapcsolta a kefe gombot, mielőtt a keféket felemelné, majd emelje fel a keféket, mielőtt a gépet előre/hátra kormányozná.

5. Nyomja meg kefe (B) gombot.
6. Nyomja le a gyorsító pedált (R), működtesse a gépet előre vagy hátra a kormánykerék (N) és az előre-hátra kapcsoló (H) segítségével, majd állítsa be a sebességet a sebességbeállító gombbal (I).
7. Állítsa be az oldatáramlást az oldatbeállító gombbal (G) a takarítási követelménynek megfelelően.
8. Az USB-töltő port (M) segítségével töltheti telefonját vagy táblagépét, ha a kulcsos kapcsoló (A) "ON" állásban van.
9. Nyomja meg a dudát (F), hogy figyelmeztesse az embereket, ha szükséges.
10. Ha szükséges, nyomja meg a vészleállító gombot a gép vészleállításához.

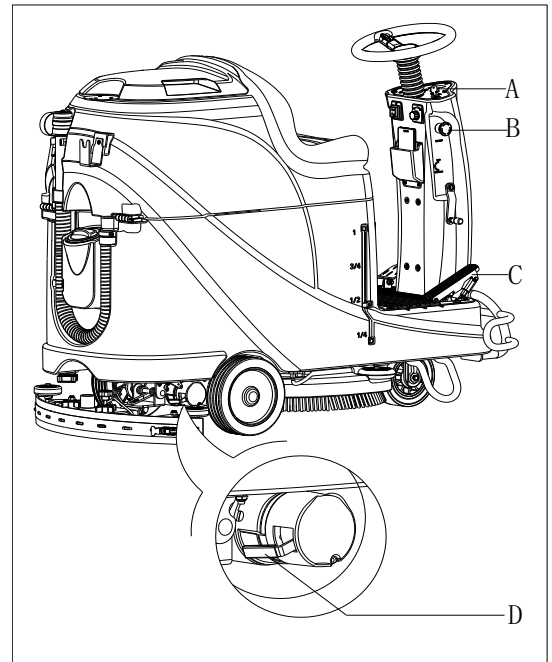


MEGJEGYZÉS

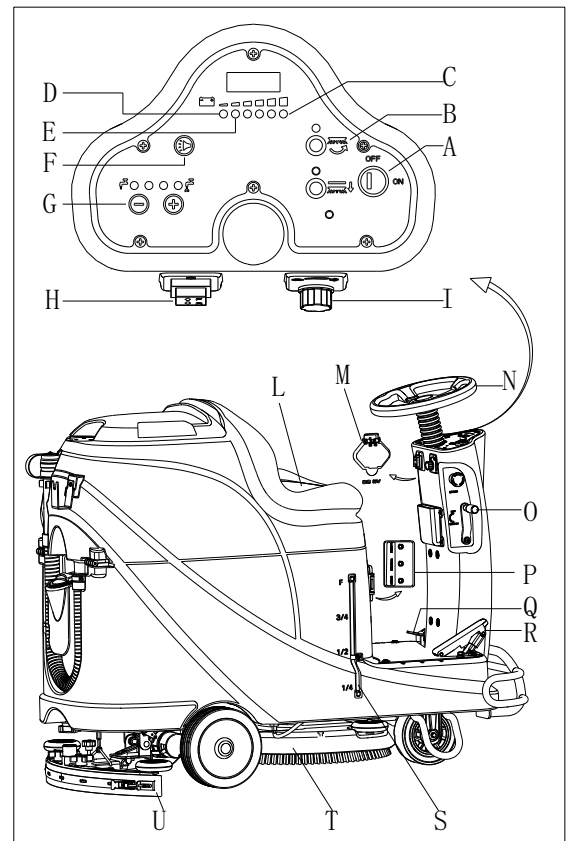
A kefe motorját, a vákuum motorját, a meghajtó motorját és az áramkörvezérlőt a túlterhelésvédő (P) védi. Ha a túlterhelésvédő kikapcsol, ne állítsa vissza a kiváltó ok megkeresése nélkül, és ellenőrizze, hogy a motor lehűlt-e, az alaphelyzetbe állítás előtt.

A gép leállítása

11. Engedje ki a gyorsítópédált (R, Ábra 10) és a gép leáll.
12. Nyomja meg a kefe (B) gombot a kefe motor leállításához.
13. Emelje fel a kefe gombot (T) a pedál (Q) lenyomásával.
14. Emelje fel a gumilemezeket (U) a gumilemez emelő/leeresztő kar (O) segítségével, és néhány másodperccel később a vákuumrendszer zárva lesz.
15. Fordítsa a kulcsos kapcsolót "OFF" állásba.
16. Győződjön meg róla, hogy a gép leállt.



Ábra 9



Ábra 10

A GÉP MŰKÖDÉSE (SÚROLÁS ÉS SZÁRÍTÁS)

1. Indítsa el a gépet a korábbi bekezdésekben leírtaknak megfelelően.
2. Kezdje a tisztítást a "Gép bekapcsolása" részben leírt műveletek követésével.
3. Ha szükséges, állítsa le a gépet, hogy beállítsa a gumibetéket a "Gumibetét kiegyensúlyozása" fejezetnek megfelelően.



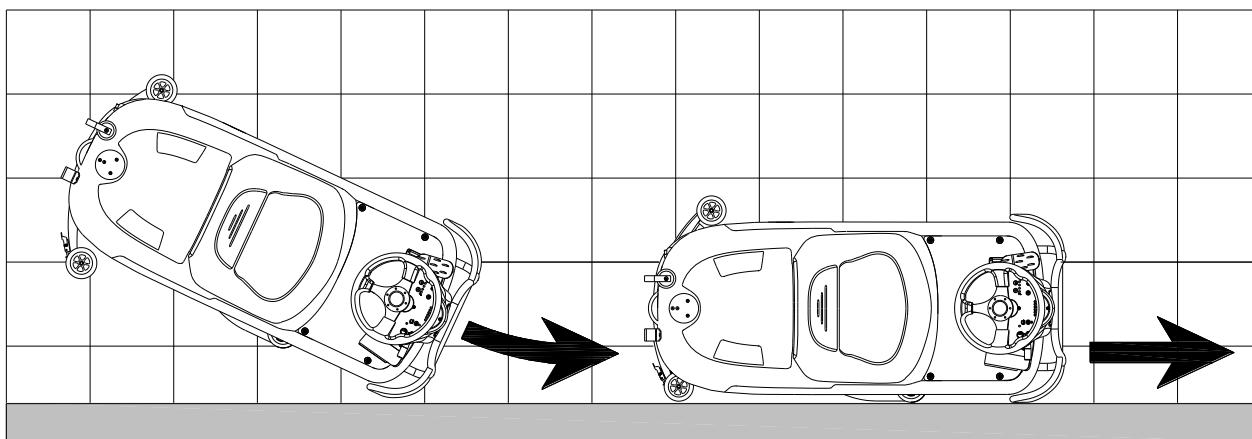
FIGYELEM!

A padló károsodásának elkerülése érdekében kapcsolja ki a kefe/fogant tartót, amennyiben a gép egy helyben áll.



MEGJEGYZÉS

A fal menti padló helyes súrolása/szárítása érdekében, azt javasoljuk, hogy haladjon közel a falhoz a gép jobb oldalával (a lökhárítós oldalával) amint az a Ábra 11 látható.



Ábra 11

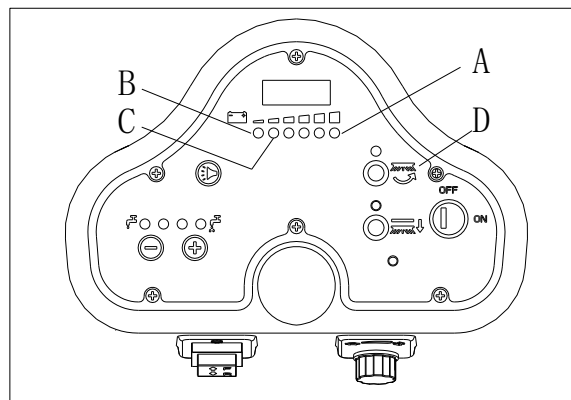
Munka az akkumulátor töltése közben

Ha a zöld fény világít (A, Ábra 12), akkor a gépnek elegendő energiája van a normális működéshez; amikor a zöld lámpa nem világít a sárga fény (C, Ábra 12) pedig igen, akkor az akkumulátorok töltése túl alacsony, ezért töltsé fel azokat; amikor a piros lámpa (B, Ábra 12) villog az akkumulátorok lemerültek, a vákuummotor és kefemotor automatikusan kikapcsol néhány perccel később, így kérjük, azonnal vezesse a gépet az akkumulátorok töltéséhez.



FIGYELEM!

Az akkumulátorok károsodásának, és élettartamuk lerövidülésének elkerülése érdekében ne használja a készüléket, ha az akkumulátorok lemerültek.



Ábra 12

ÜRES TARTÁLY

Egy automatikus lebegés-kikapcsoló rendszer (B, Ábra 13) blokkolja a szívórendszert, amikor a szennyvíztartály (C) megtelt. A szívórendszer deaktiválását a szívórendszer motor zajszintjének hirtelen megnövekedése jelzi, valamint az, hogy a padló nem száradt meg.



VIGYÁZAT!

Ha a szívórendszer véletlenül kikapcsol (pl. a lebegés aktiválásakor a berendezés hirtelen mozgása esetén), a használat folytatásához: kapcsolja ki a szívórendszert a kapcsoló (D, Ábra 12) megnyomásával, majd nyissa fel a fedelet (A, Ábra 11) és ellenőrizze, hogy a lebegő labda a rácson belül (B) lement-e a víz szintjére. Ezt követően zárja le a fedelet (A) és kapcsolja be a szívórendszert a kapcsoló (D, Ábra 12) megnyomásával.

Amikor a szennyvíztartály (C, Ábra 13) tele van, az alábbi eljárást követve ürítse ki.

Szennyvíztartály ürítése

1. Állítsa le a berendezést.
2. Emelje fel a kefe/párnatartó platót (H, Ábra 12) a pedál (G) lenyomásával.
3. Emelje fel a gumitörlőt a kar (H) segítségével.
4. Vezesse a berendezést a kijelölt ürítési területre.
5. A tömlő (D) segítségével ürítse ki a szennyvíztartályt. Ezt követően öblítse ki a tartályt tiszta vízzel.



FIGYELEM!

Amikor elvezeti a szennyvizet a kifolyócsövet össze kell hajtani (A, Ábra 14) és alacsony helyzetbe kell helyezni (B, Ábra 14), mielőtt kinyitná a vízleeresztő tömlő burkolatát. Ne helyezze a kifolyócső kivezetőjét felfelé a víz vertikális elvezetéséhez, hogy elkerülje a szennyvíz üzemeltetőre ömlését.

Oldat/tiszta víz tartály kiürítése

6. Végezze el a "Helyreállítási víztartály kiürítése" fejezet 1-4-ig lépéseit.
7. Ürítse ki a tisztítószeres tartályt a kimeneti fedélen keresztül (A, Ábra 15). Majd öblítse ki a tartályt tiszta vízzel.

A BEREDEZÉS HASZNÁLATA UTÁN

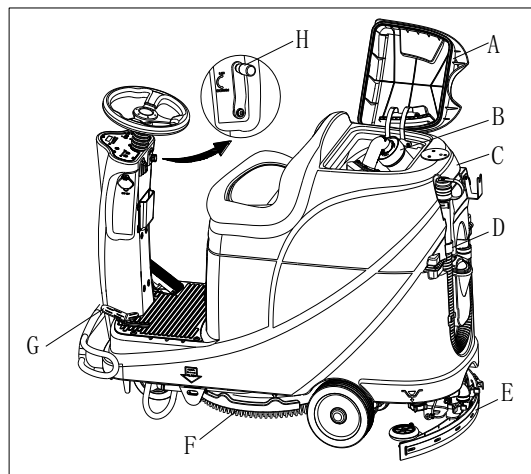
Munka után, mielőtt magára hagyná a berendezést:

1. Távolítsa el a keféket/párnatartókat.
2. Ürítse ki a tartályokat (B és C, Ábra 15) az előző bekezdésben leírtak szerint.
3. Végezze el a napi karbantartási eljárásokat (lásd: Karbantartás fejezet).
4. A berendezést tiszta és száraz helyen tárolja, felemelt vagy eltávolított kefékkel/párnatartókkal és gumitörlővel.

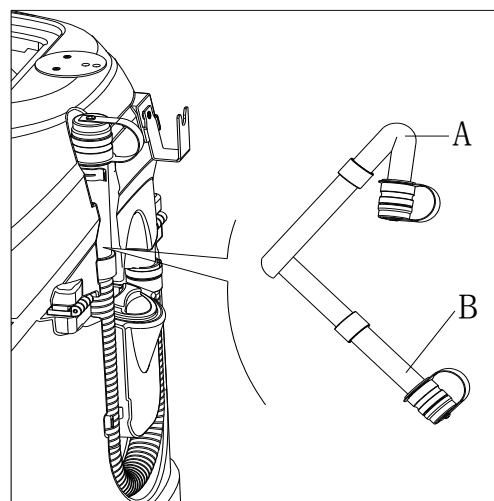
HOSSZÚ INAKTIVITÁSI IDŐSZAK

Ha a berendezést több mint 30 napig nem fogja használni, végezze el a következőket:

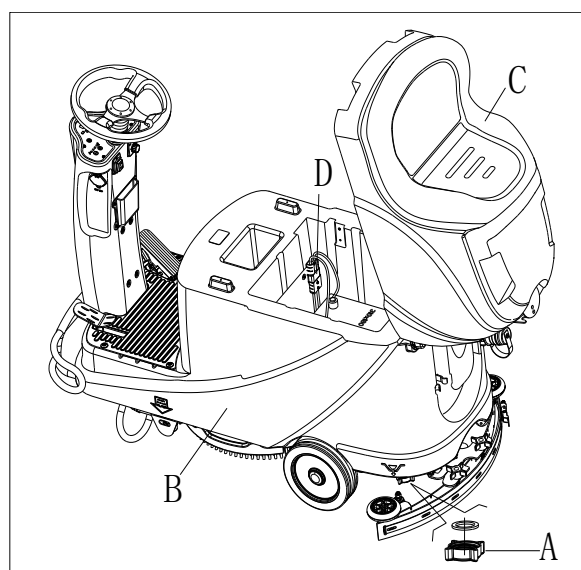
1. Végezze el a "A gép használata után" című fejezetben található műveleteket.
2. Húzza ki az akkumulátor csatlakozóját (D, Ábra 15).



Ábra 13



Ábra 14



Ábra 15

HASZNÁLAT AZ ELSŐ ALKALOMMAL

A gép első kilenc órás alkalmazása után ellenőrizze, hogy nincs-e valamilyen sérülés vagy rendellenesség a gépen, ellenőrizze, hogy nem lazultak-e meg a kötőelemek és szerelvények.

KARBANTARTÁS



FIGYELMEZTETÉS!

Karbantartási munkákat kizárólag a gép kikapcsolása és az akkumulátor töltő kábel lecsatlakoztatása után lehet végrehajtani. Továbbá, figyelmesen olvassa el a biztonsági fejezeteket a kézikönyvben.

Minden ütemezett és rendkívüli karbantartási munkát kizárólag képzett személy vagy felhatalmazott szerviz központ hajthat végre. Ez a kézikönyv csak az általános és egyszerű karbantartási folyamatokat tárgyalja.

Egyéb karbantartási munkák kapcsán, melyek nem találhatók az alábbi karbantartás ütemezési táblázatban, kérjük, hivatkozzon a Szerviz kézikönyvre, melynek kapcsán konzultálhat bármely szerviz központunkkal.

ÜTEMEZETT KARBANTARTÁSI TÁBLÁZAT



FIGYELEM!

Az eljárás, melyet (1) jelöl, kötelezően elvégzendőek a gép első 9 órás használata után. Az eljárás, melyet (2) jelöl, kizárólag a cégünk által képezett szerviz központunk által hajtható végre.

Folyamat	Naponta, minden használat után	Hetente	Félévente	Évente
Akkumulátor töltés				
Gumitörlő tisztítás				
Kefe/szivacstartó tisztítás				
Tartály tisztítás				
Tartály tömítő zsinór ellenőrzés				
Úszó labda szűrő tisztítás				
Gumitörlő lap ellenőrzés és csere				
Tisztítóvíz szűrő tisztítás				
Szívó szűrő tisztítás				
Nedves akkumulátor folyadékszint ellenőrzés				
Csavar és anya szorosság ellenőrzés			(1)	
Kefe/szivacstartó szénkefe ellenőrzés vagy csere				(2)
Szívómotor szénkefe ellenőrzés vagy csere				(2)
Meghajtórendszer motor karbonkefe ellenőrzés vagy csere (csak vontatós berendezéseknél)				(2)
Alkalmazzon kenőolajat a forgó alkatrészekben			(1)	

AKKUUMULÁTOR TÖLTÉS



MEGJEGYZÉS

Kérjük, töltsse az akkumulátort, amikor a sárga LED (32) vagy piros LED (33) világít, vagy minden munkamenet végén.



FIGYELEM

Az akkumulátor töltött állapotban való tartása növeli annak élettartamát.



FIGYELEM

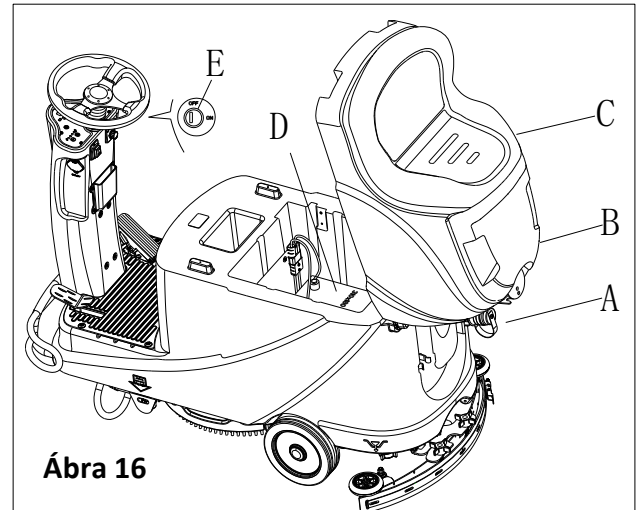
Kérjük, töltsse fel az akkumulátort amilyen rövid időn belül lehetséges, ha a töltöttségi szint alacsony, máskülönben az akkumulátor élettartama lecsökkenhet. Ajánlott hetente legalább egyszer ellenőrizni az akkumulátort.

**FIGYELEM!**

Különös óvatossággal járjon el az akkumulátorok töltése során, mert a folyamat során savszivárgás fordulhat elő. Az akkumulátorsav maró hatású, amennyiben véletlenül bőrrel vagy szemmel érintkezik azonnal öblítse le bő, tiszta vízzel, és forduljon orvoshoz.

Előkészítő lépések az akkumulátorok töltéséhez

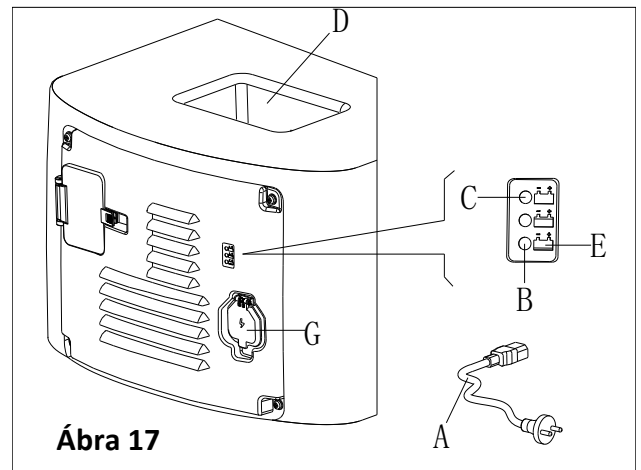
1. Nyissa ki a gyűjtőtartály fedelét (B, Ábra 16), hogy ellenőrizze, ha a gyűjtőtartály (C) üres, vagy ürítse ki a gyűjtőtartályt a leeresztőcsövön keresztül (A).
2. Hajtson a géppel a kijelölt töltési területre.
3. Fordítsa a kulcsos kapcsolót "OFF" állásba.
4. A következő lépés csak WET akkumulátorokra vonatkozik:
 - Tisztítsa meg az akkumulátor felületét, ha szükséges.
 - Ellenőrizze az akkumulátor (D) elektrolitszintjét, és amennyiben szükséges, nyissa ki a fedelet a teljes elektrolit feltöltéshez, majd helyezze vissza.
 - Tartsa a fedelet nyitva töltés közben.
5. Válasszon ki egyet az alábbi töltési formák közül a kiválasztott töltő típusától függően.



Ábra 16

Használja a fedélzeti töltőt az akkumulátor töltéséhez.

6. Csatlakoztassa az akkumulátortöltő kábelt (A, Ábra 17) az elektromos hálózathoz (G), majd az összes gépi funkció automatikusan leáll - a töltés kivételével. Általában piros LED (B) jelzi, hogy a gép a tölt.
7. Az akkumulátorok teljesen fel vannak töltve, amikor a zöld LED (C) világítani kezd.
8. Válassza le az akkumulátortöltő kábelt az elektromos hálózatról, miután a töltés befejeződött, majd tárolja az akkumulátortöltő kábelt a tárolódobozban (D).



Ábra 17

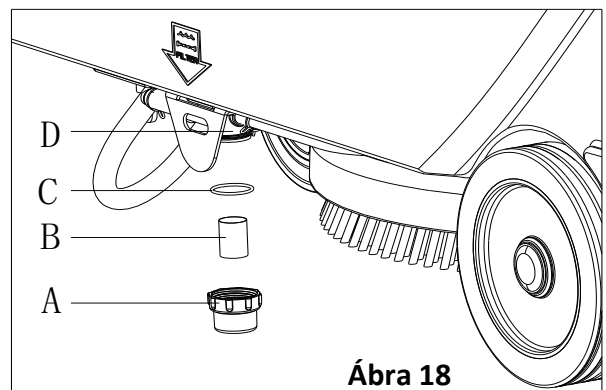
**MEGJEGYZÉS**

A fedélzeti töltővel (E, Ábra 17) kapcsolatos további információért tekintse meg a szolgáltató központ megfelelő kézikönyvét.

KEFE/PÁRNA TISZTÍTÁSA**FIGYELEM!**

Kesztyű használata ajánlott a kefe/szivacs-tartó tisztításakor, mivel az éles szilánkokat tartalmazhat.

1. Vegye le a kefe/szivacsstartót az előző bekezdések alapján.
2. Tisztítsa meg a kefe/szivacsstartót víz és mosószer használatával.
3. Ellenőrizze a kefe sörtéjének kopását, szükség esetén cserélje ki a kefét.
4. Ellenőrizze a fényező párna kopását, szükség esetén cserélje azt ki.



Ábra 18

OLDATTARTÁLY TISZTÍTÁSA

1. Hajtson a géppel sík felületre.
2. Ellenőrizze, hogy a készülék ki van kapcsolva.
3. Ūrítse ki a tisztítószer-tartályt (opcionális lépés).
4. Távolítsa el az oldatszűrő fedelét (A, Ábra 18), hogy megtisztítsa a szűrőbetétet (B), majd helyezze vissza azokat a szűrőtárolóba (D).



MEGJEGYZÉS

A szűrőbetétet (B) megfelelően kell behelyezni a szűrőtartó házba (D).

GUMITÖRLŐ TISZTÍTÁSA



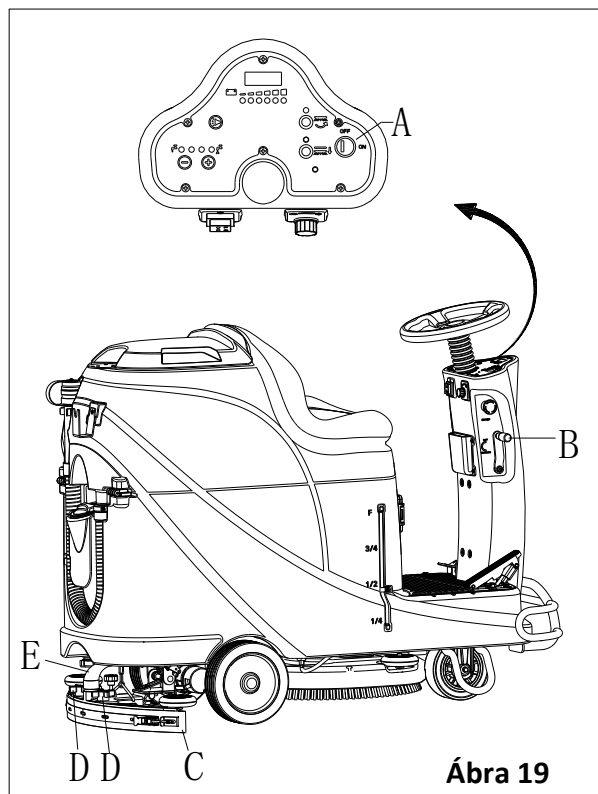
MEGJEGYZÉS

A gumitörlőnek tisztának kell lennie, és pengéinek jó állapotban kell lenniük, hogy jól ellássák a szárítási funkciót



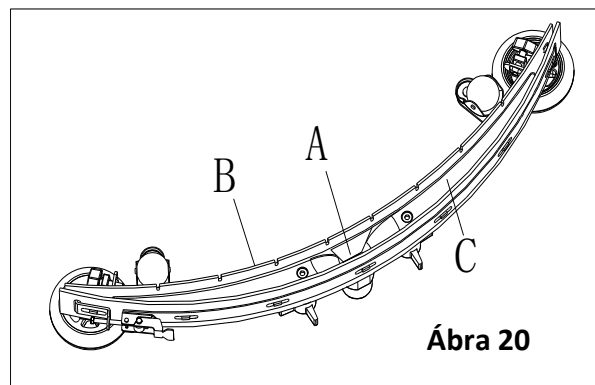
VIGYÁZAT

Azt javasoljuk, hogy a gumitörlő tisztításakor viseljen védőkesztyűt, mivel éles törmelékkel találkozhat.



Ábra 19

1. Hajtson a géppel sík felületre.
2. Fordítsa a kulcsos kapcsolót (A, Ábra 19) "OFF" (ki) állásba.
3. Engedje le a gumibetétet (B) a karral (C).
4. Lazítsa meg a csavarokat (D), és távolítsa el a gumibetétet.
5. Válassza le a vákuumtömlőt (E) a gumibetétről.
6. Tisztítsa meg az acél vagy alumínium anyagot, különösen a rekeszeket (A, Ábra 20), és a lyukakat (B). Győződjön meg az elülső (B) és hátsó tololap (C) épségéről és amennyiben szükséges, cserélje ki azokat a következő bekezdésben leírt művelet szerint.
7. Állítsa össze a gumibetétet a szétszerelés fordított sorrendjében.



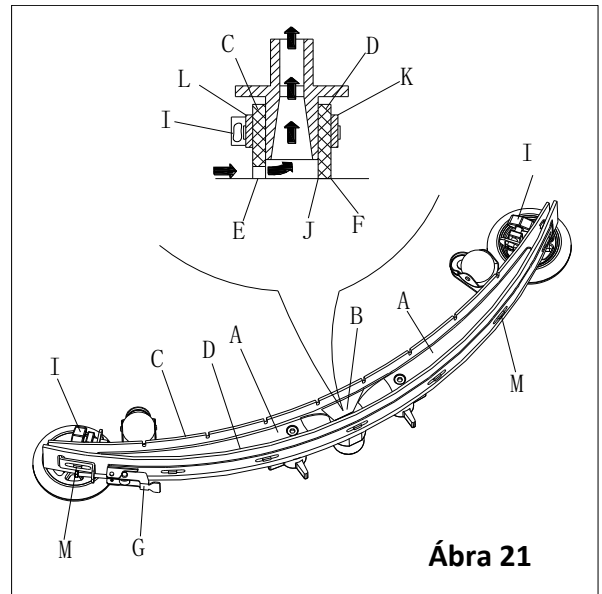
Ábra 20

GUMITÖRLŐ PENGE ELLENŐRZÉSE ÉS CSERÉJE

1. Tisztítsa meg az acél vagy alumínium gumitörlőt, ahogy azt az előző bekezdésben ismertettük.
2. Ellenőrizze, hogy az elülső penge (C) élei (E, Ábra 21) és a hátsó penge (D) élei (F) egy szinten vannak-e a hosszuk mentén; szükség esetén az alábbi eljárást követve állítsa be azok magasságát:
 - Távolítsa el a tartórudat (G), oldja ki a rögzítőket (M) és állítsa be a hátsó pengét (D), majd húzza be a rögzítőket (M) és szerelje fel a tartórudat (G).
 - Lazítsa ki a gombokat (I) és állítsa be az elülső pengét (C), majd húzza be a gombokat.
3. Ellenőrizze az elülső penge (C) és hátsó penge (D) elhasználódását, nincsenek-e rajta vágások és szakadások; szükség esetén cserélje ki őket a következő eljárásnak megfelelően. Ellenőrizze, hogy a hátsó penge (D) elülső sarka (J) nem használdott-e el; szükség esetén fordítsa meg a pengét az elhasználódott sarok lecseréléséhez a használható sarokra. Ha a többi sarok is elhasználódott, az alábbi eljárást követve cserélje ki a pengét:
 - Vegye le a tartórudat (G), oldja ki a rögzítőket (M) és vegye le a tartószíjat (K), majd helyezze vissza/fordítsa meg a hátsó pengét (D). A pengét a szétszerelési folyamatot visszafelé követve szerelje össze.
 - Csavarozza ki a csavarokat (I) és vegye le a tartószíjat (L), majd helyezze vissza az elülső pengét (C). A pengét a szétszerelési folyamatot visszafelé követve szerelje össze. A pengecseré (vagy megfordítás) után állítsa be a magasságot az előző lépésben leírtak szerint.
4. Csatlakoztassa a szívótömlőt (A, Ábra 22) a gumitörlőhöz.
5. Helyezze fel a gumitörlőt (B) és csavarozza be a gombokat (C).
6. Szükség esetén állítsa be a gumitörlő-egyensúly beállító gombot (D).

TARTÁLY ÉS SZVÓRÁCS LEBEGŐ GOLYÓ TISZTÍTÁSSAL, ÉS FEDÉLTÖMÍTÉS ELLENŐRZÉS

1. A berendezést vigye egyenes talajra.
2. Bizonyosodjon meg arról, hogy a berendezés ki van kapcsolva és az indító kulcsot (40) eltávolította.
3. Fordítsa a gyújtótartály fedelét (A, Ábra 23) 90 fokos pozícióba ahol le lehet venni a tankról, majd vegye le az úszó labdás szűrőt (P) a tartályról..
4. Tisztítsa meg a gyújtótartály fedelét (A), a gyújtótartályt (B), tiszta vizes tartályt(C) és az úszó labdás szűrő támasztó keretét (E). Ürítse ki a gyújtótartályt a szívócsővel (15).
5. Szükség esetén kövesse a szimbólumokat "OPEN" és "CLOSE", ahogy a Ábra 23 mutatja, hogy kinyissa az úszó labdás szűrő alsó fedelét (F), majd tisztítsa meg az úszó labdát (D), a szűrő tartó keretét (E) és a szűrő szivacsot (I). Tisztítás után rögzítse az úszó labdát (D) a szűrő támasztó keretbe (E), majd illessze az úszó labdás szűrő alsó sapkájának (F) jelölését a szűrő támasztó keretének jelöléséhez (E). Végül csatlakoztassa azt a szennyvíz szívó csőhöz (M).
6. Ellenőrizze a tartály tömítőzsinégének épségét.



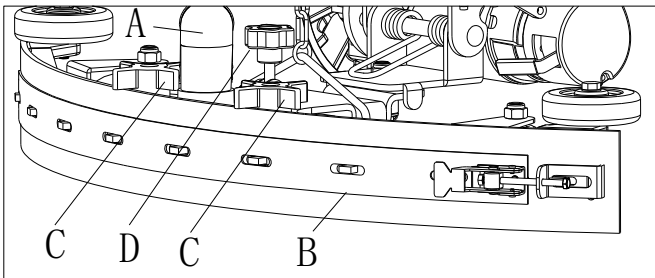
Ábra 21

MEGJEGYZÉS

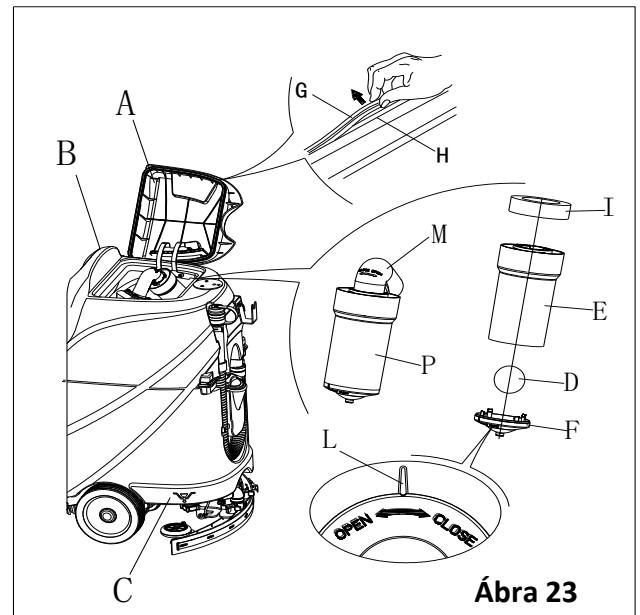


Tartály tömítő zsinegnek (G) köszönhetően jön létre vákuum a tartályban, amikor a szívó motor megy. A tartálynak megfelelően kell szigetelve lennie, hogy a gép hatékonyan tudja felszívni a vizet a gyújtótartályba.

7. Ellenőrizze, hogy a tartály tömítő zsineg (G) felülete ép és a szigetelés megfelelő. Szükség esetén vegye ki a tömítő zsinéget a tartály barázdájából (H) és cserélje azt ki. Illessze helyére az új tömítő zsinéget a Ábra 23, szerint, a kötésnek a középső részen kell lennie.
8. Zárja vissza a gyújtó tartály fedelét (A).



Ábra 22



Ábra 23

BIZTOSÍTÉK ELLENŐRZÉSE/CSERÉJE

1. Fordítsa a kulcsos kapcsolót (D, Ábra 24) "OFF" (ki) állásba.
2. Húzza ki az akkumulátor-csatlakoztató kábelt.
3. Csavarja ki a csavarokat (C) a vezérlőpulton, majd fordítsa meg a PCBA-t, hogy megtalálja a biztosítékokat (A és B).
4. Ellenőrizze/cserélje ki a biztosítékokat:
 - A) F1 az alacsony fogyasztású áramkör biztosítója (5A)
 - B) F3 kefe leszerelési biztosíték (20A)
5. Miután az ellenőrzés/cseréje megtörtént, szerelje össze a szétszerelés fordított sorrendjében.
6. Ellenőrizze, vagy állítsa vissza a motor túlterhelésvédőt.
 - E) F5 a vákuummotor túlterhelésvédő (30A)
 - F) F4 a meghajtómotor túlterhelésvédő (30A)
 - G) F2 a kefmotor túlterhelésvédő (30A)

TARTOZÉKOK/OPCIÓK

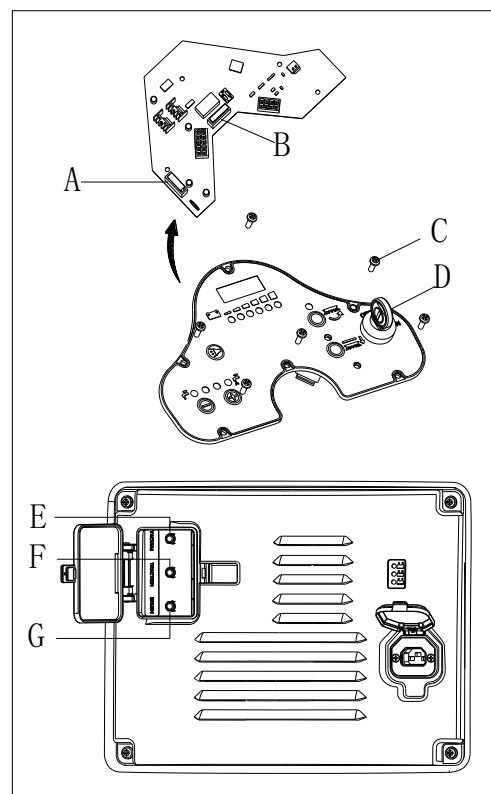
A standard alkatrészek mellett a berendezés az alábbi tartozékokkal/opciókkal is bővíthető a berendezés használatától függően.

A fenti választható tartozékokkal kapcsolatos további információkért lépjen kapcsolatba egy hivatalos Kiskereskedővel.

Tartozékok/Opciók

Lásd: "Alkatrészlista" rész

1. GEL/AGM akkumulátorok
2. Különböző anyagú párnák



Ábra 24

HIBAELHÁRÍTÁS

Hiba	Lehetséges okok	Orvoslás
A motorok nem működnek; nem ég figyelmeztetőlámpa (C9)	Az akkumulátorcsatlakozó nincs csatlakoztatva	Csatlakoztassa az akkumulátor csatlakozóját
	Az akkumulátorok teljesen lemerültek	Töltse fel az akkumulátorokat.
A gép nem működik, a piros akkumulátorkapacitás figyelmeztető lámpa ég (C8)	Az akkumulátorok töltöttsége túl alacsony	Töltse fel az akkumulátorokat.
A gép nem halad előre/hátra	A vezérlő áramkör meghibásodott	Cserélje ki a vezérlő áramkört
	A hajtómotor vezérlő meghibásodott	Lásd a "HAJTÓMOTOR HIBAINDIKÁTOR INFORMÁCIÓK" fejezetet
	Az üzemeltető nem ül az ülésen	Üljön az ülésre
	A gumibetét nem emelkedik fel hátramenetben	Emelje fel a gumibetétet
A kefmotor nem működik	A vezérlő áramkör meghibásodott	Cserélje ki a vezérlő áramkört
	Kefemotor túlterhelt	Egy tisztításra alkalmas puha ecsetet használjon és állítsa vissza a kefmotor túlterhelésvédőt
	Kefemotor kontaktor meghibásodott	Lépjen kapcsolatba a vevőszolgálattal
	Kefemotor szénkefe elkopása	Lépjen kapcsolatba a vevőszolgálattal
	A kefe akadályokba ütközik, ezért nem forog	Tisztítsa meg a kefét
A hajtómotor nem működik	Hajtómotor meghibásodását jelző fény ég	Lásd a "HAJTÓMOTOR HIBAINDIKÁTOR INFORMÁCIÓK" fejezetet

	Hajtómotor túlterhelés	Állítsa vissza a hajtómotor túlterhelésvédőt és ellenőrizze a hajtómotort/áramkört
A vákuummotor nem működik	Vákuummotor túlterhelt	Állítsa vissza a vákuummotor túlterhelésvédőt és ellenőrizze a vákuummotort
	Vákuummotor meghibásodás	Lépjen kapcsolatba a vevőszolgálattal
	Vezérlőkártya meghibásodás	Cserélje ki a vezérlőpultot
Elégtelen szívóerő, a padló nem szárítható	Gyújtótartály megtelt	Üritse ki a gyújtótartályt
	A lefolyótömlő és a gumibetét nem megfelelően kapcsolódik	Csatlakoztassa megfelelően a lefolyótömlőt és a gumibetétet
	Az úszó szűrője eltömődött	Tisztítsa meg az úszó szűrőjét és ellenőrizze az úszó helyzetállapotát
	A gumibetét piszkos vagy kopott	Ellenőrizze és tisztítsa meg a gumibetétet
	A gyújtótartály fedele nincs megfelelően lezárva, vagy a tömítés megsérült, vagy a kanyarcső eltömődött	Zárja le a fedelet helyesen, vagy cserélje ki a tömítést, vagy tisztítsa meg a kanyarcsővet.
	A gyújtótartály piszkos	Tisztítsa meg a gyújtótartályt
A kefetányér elégtelen oldatellátmánnyal rendelkezik	Az oldatszűrő koszos	Tisztítsa meg a szűrőt
	Az "oldattartály üres" jelző világít	Töltse fel a tisztítószeres tartályt
	Az oldattartály túl piszkos	Tisztítsa meg a oldattartályt
A gumibetét csikot hagy a padlón	Törmelék került a gumibetét alá	Távolítsa el a törmeléket
	Gumibetét kopott, megrepedt, régi	Cserélje ki a gumilemezeket
	A gumibetét egyensúlya nincs beállítva	Állítsa be a gumibetét egyensúlyát
Hajtómotor fékhiba	A fék le van zárva	Engedje ki a féket

HAJTÓMOTOR HIBAINDIKÁTOR INFORMÁCIÓK

LED-KÓD		HIBA	LEHETSÉGES OK
1.1	□□	TERMÁLIS HIBA	<ol style="list-style-type: none"> Hőmérséklet > 80 ° C vagy < -10 ° C. Túlzott terhelés éri a járművet. Működés szélsőséges körülmények között. Az elektromágneses fék nem feloldható.
1.2	□□□	GÁZKAR HIBA	<ol style="list-style-type: none"> Gázkar bemenő vezeték megszakadt vagy zárlatos. Gázkar pot hibás. Helytelen gázkar típus kiválasztva.
1.3	□□□□	SEBESSÉG POT HIBA	<ol style="list-style-type: none"> Sebességkorlátozó pot vezeték(ek) megszakadt(ak) vagy zárlatos(ak). Törött sebességkorlátozó pot.
1.4	□□□□□	ALACSONY FESZÜLTÉG HIBA	<ol style="list-style-type: none"> Az akkumulátor feszültsége < 17 volt. Az akkumulátor vagy vezérlő rosszul csatlakozik.
1.5	□□□□□□	TÚLFESZÜLTÉG HIBA	<ol style="list-style-type: none"> Az akkumulátor feszültsége > 31 volt. A jármű csatlakoztatott töltővel működik. Időszakos akkumulátor csatlakozás.
2.1	□□□	FŐ "OFF" HIBA	<ol style="list-style-type: none"> A főcsatlakoztató meghajtó nem nyílt meg.
2.3	□□□□□	FŐHIBA *	<ol style="list-style-type: none"> Főcsatlakozó kopott vagy beragadt. Főcsatlakozó meghajtó hiba.
2.4	□□□□□□	FŐ "ON" HIBA	<ol style="list-style-type: none"> A főcsatlakoztató meghajtó nem zárul be.
3.1	□□□□	FIGYELMEZTETÉS HIBA *	<ol style="list-style-type: none"> Elállítódott gázkar. Törött gázkar pot, vagy gázkar mechanizmus.
3.2	□□□□□	FÉK "ON" HIBA	<ol style="list-style-type: none"> Elektromágneses fék meghajtó zárlatos. Elektromágneses fék tekercs nyitott.

3.3	□□□□□□□□	ELŐTÖLTÉS HIBA *	1. Fék meghajtó zárlatos. 2. Előtöltött áramkör sérült. 3. MOSFET hiba.
3.4	□□□□□□□□	FÉK "OFF" HIBA	1. Elektromágneses fék meghajtó nyitott. 2. Elektromágneses fék tekercs zárlatos.
3.5	□□□□□□□□□□	HPD HIBA	1. Gázkar és KSI helytelen sorozata, nyomás vagy gátolt bemenetek. 2. Elállítódott gázkar pot.
4.1	□□□□□□	ÁRAMÉRZÉKELÉS HIBA *	1. Rövid motoros vagy motor bekötés. 2. Vezérlő hiba.
4.2	□□□□□□□□	HARDVER HIBA *	1. Motorfeszültség a gázkarnak nem megfelelő. 2. Rövid motoros vagy motor bekötés. 3. Vezérlő hiba.
4.3	□□□□□□□□	EEPROM ELLENŐRZŐ HIBA †	1. EEPROM hiba vagy meghibásodás.
4.5	□□□□□□□□□□	AKKUMULÁTOR LEVÁLT HIBA *	1. Az akkumulátor nincs csatlakoztatva. 2. Gyenge kapcsolat az akkumulátorral.

* = A törléséhez kulcsos kapcsoló használata szükséges.

† = A törléshez programozás szükséges az alábbiak szerint: válassza A Program menüt, változtasson meg bármilyen adatértéket, forgassa el a kulcsos kapcsolót.



MEGJEGYZÉS

A gép, amely fel van szerelve fedélzeti töltővel nem használható, ha a fedélzeti töltő hibás, kérjük, keresse fel és kérje márkaszervize segítségét.

LESELEJTÉZÉS

Selejtezze le a gépet egy minősített hulladékkezelési intézmény által.

A gép leselejtezése előtt kérjük, különítse el az alábbi részegységeket, melyeket a vonatkozó törvények és rendeletek szerint kell rendelkezni.

- Akkumulátor
- Kefe/Szivacs-tartó
- Műanyag cső és műanyag alkatrészek
- Elektromos és elektronikus komponensek (*)

(*) Kérjük, forduljon szakszervizhez az elektromos és elektronikus alkatrészek megsemmisítéséhez.

CUPRINS

INTRODUCERE	353
CONȚINUTUL ȘI SCOPUL MANUALULUI	353
PĂSTRAREA ACESTUI MANUAL	353
DECLARAȚIE DE CONFORMITATE	353
ACCESORII ȘI ÎNTREȚINERE	353
SCHIMBARE ȘI ÎMBUNĂȚĂȚIRE	353
SCOPUL APLICAȚIEI	353
DATE DE IDENTIFICARE A MAȘINII	353
TRANSPORT ȘI DESPACHETARE	353
NORME DE PROTECȚIE	354
SIMBOLURILE CE APAR ÎN INSTRUCȚIUNILE DE UTILIZARE	354
INSTRUCȚIUNI GENERALE DE PROTECȚIE	354
DESCRIEREA MAȘINII.	356
STRUCTURA MAȘINII	356
PANOU DE COMANDĂ	357
INFORMAȚII AFIȘAJ ECRAN LED	357
FEREASTRĂ DE AFIȘARE STARE ÎNCĂRCĂTOR	357
PARAMETRII TEHNICI	358
DIAGRAMĂ DE CIRCUITE	359
GHID DE OPERARE	361
INSTALAREA ȘI SETAREA UNEI BATERII NOI DE MAȘINĂ	361
INSTALAREA BATERIILOR ȘI STABILIRE TIP BATERIE (UMEDĂ SAU CU GEL/ AGM)	361
FRÂNAREA ÎN CAZ DE URGENȚĂ	363
INSTALAREA ȘI DEZINSTALAREA PERIEI /LAVETEI	363
AJUSTAREA RACLETEI.....	364
UMPLEREA REZERVORULUI DE SOLUȚIE	364
PORNIREA ȘI OPRIREA MAȘINII	365
OPERAREA MAȘINII (FRECARE ȘI USCARE)	366
GOLIREA REZERVORULUI	367
DUPĂ UTILIZAREA MAȘINII	367
INACTIVITATE ÎNDELUNGATĂ A MAȘINII	367
PRIMA UTILIZARE	368
ÎNTREȚINERE	368
TABEL ÎNTREȚINERE PROGRAMATĂ	368
ÎNCĂRCAREA BATERIEI	368
CURĂȚAREA PERIEI/ LAVETEI	369
CURĂȚAREA FILTRULUI SOLUȚIEI	370
CURĂȚAREA MOPULUI	370
CURĂȚAREA ȘI ÎNLOCUIREA LAMEI RACLETEI DE ASPIRARE	370
CURĂȚAREA REZERVORULUI ȘI GRĂȚARULUI DE PE ASPIRARE CU FLOTOR ȘI VERIFICAREA GARNITURII CAPACULUI	371
VERIFICAREA/ÎNLOCUIREASIGURANȚEI ELECTRICE	372
ACCESORII /OPȚIUNI	372
DEPANARE	372
DEZAFECTARE	374

INTRODUCERE



NOTĂ

Numerele din paranteze se referă la componentele arătate la capitolul Descrierea mașinii.

CONȚINUTUL ȘI SCOPUL MANUALULUI

Scopul acestui Manual cu instrucțiuni de utilizare este acela de a asigura operatorul cu informațiile necesare pentru utilizarea adecvată și în condiții de siguranță a mașinii. Acesta conține informații cu privire la datele tehnice, normele de protecție, funcționarea, depozitarea, întreținerea, piesele de schimb și modul de dezafectare.

Înainte de executarea unei operații la mașină, chiar dacă operatorii sunt tehnicieni calificați, trebuie să citească acest manual cu atenție. Pentru orice întrebări sau dacă este nevoie de mai multe informații cu privire la acest manual, contactați centrul nostru de service.

Operatorii nu trebuie să execute operații ce trebuie executate de tehnicieni calificați. Compania noastră nu va fi responsabilă pentru defectele ce rezultă din încălcarea acestei interdicții.

PĂSTRAREA ACESTUI MANUAL

Acest manual se va păstra lângă mașină, într-o învelitoare corespunzătoare, departe de lichide și alte substanțe ce pot cauza deteriorarea sa.

DECLARAȚIE DE CONFORMITATE

Declarația de conformitate se furnizează odată cu mașina și certifică faptul că mașina e conformă cu legislația în vigoare.



OBSERVAȚIE

Împreună cu documentația mașinii se dau copii ale declarației de conformitate originale.

ACCESORII ȘI ÎNTREȚINERE

Toate procedurile de operare, întreținere și reparație trebuie executate de personal calificat sau de compania noastră la centrul service desemnat. Se vor utiliza NUMAI piese de schimb autorizate.

Contactați centrul de service clienți al companiei noastre pentru orice operație de service sau pentru achiziționarea de accesorii sau piese de schimb, dacă este necesar.

SCHIMBARE ȘI ÎMBUNĂTĂȚIRE

Noi suntem angajați într-un proces continuu de îmbunătățire a produselor noastre, ne rezervăm dreptul de a schimba și îmbunătăți mașina fără informare suplimentară.

SCOPUL APLICAȚIEI

Mașina de rașchetare are aplicații în domeniul industrial și comercial. Este potrivită pentru curățenia suprafețelor lustruite și a pardoselilor solide, fiind utilizată de personal calificat în condiții de siguranță. Nu este potrivită pentru utilizarea în spații exterioare și nici pentru curățenia covoarelor sau a pardoselilor rugoase.

DATE DE IDENTIFICARE A MAȘINII

Denumirea modelului și numărul de serie al mașinii sunt marcate pe eticheta de serie.

Aceste informații sunt utile. Utilizați următorul tabel pentru a nota datele de identificare a mașinii atunci când se face cerere de ofertă pentru piese de schimb pentru mașină.

MODEL MAȘINĂ.....
NUMĂR DE SERIE MAȘINĂ.....

TRANSPORT ȘI DESPACHETARE

Când transportatorul a adus mașina, asigurați-vă că atât ambalajul cât și mașina sunt nedeteriorate și întregi. Dacă sunt deteriorări aduceți la cunoștința transportatorului defectiunea înainte de a face recepția mărfii și rezervați-vă dreptul de compensare a defectiunii.

Urmați instrucțiunile de despachetare cu strictețe atunci când despachetați mașina.

Verificați ambalajul pentru a vă asigura că există următoarele:

1. Documentație tehnică inclusive manualul utilizatorului și manual pentru încărcătorul încorporate dacă acesta este prevăzut.
2. Cablu de încărcător dacă există încărcător încorporat.

NORME DE PROTECȚIE

Următoarele simboluri indică situații potențial periculoase. Citiți întotdeauna aceste informații cu atenție și luați toate măsurile de prevenire pentru protecția personalului și a proprietății.

SIMBOLURILE CE APAR ÎN INSTRUCȚIUNILE DE UTILIZARE



PERICOL!

Indică o situație periculoasă cu risc de moarte pentru operator



ATENȚIE!

Indică un potențial risc de rănire a persoanelor.



ATENȚIE!

Indică o atenționare sau observație cu privire la funcții importante sau de ajutor

Dați atenție deosebită paragrafelor marcate cu acest simbol.



NOTĂ

Indică o observație cu privire la funcții importante sau de ajutor.



CONSULTARE

Indică necesitatea de a consulta Instrucțiunile de utilizare înainte de executarea unei proceduri.

INSTRUCȚIUNI GENERALE DE PROTECȚIE

Atenționările specifice pentru a se aduce la cunoștință riscul de defectare a mașinii sau de rănire a persoanelor.



PERICOL!

- Această mașină trebuie operată de personal autorizat și instruit în conformitate cu instrucțiunile din manual.
- Înainte de a executa o operație de curățenie, întreținere, reparație sau înlocuire, citiți toate instrucțiunile cu atenție; asigurați-vă că ați oprit mașina (OFF) și că ați deconectat bateria.
- Nu operați mașina în apropierea lichidelor, prafurilor sau vaporilor toxici, periculoși, inflamabili /sau exploziv. Această mașină nu este potrivită pentru strângerea pudrelor periculoase.
- Nu purtați bijuterii când lucrați în vecinătatea componentelor electrice.
- Nu lucrați sub mașinile ridicate fără ca acestea să fie sprijinite pe standuri de protecție.
- Dacă folosiți baterii cu plumb (WET), acestea pot emite gaze inflamabile în condiții normale de lucru și trebuie ferite de scântei, flăcări deschise, materiale fumigene, iradiante, iluminante și arzătoare.
- La încărcarea bateriilor cu plumb (WET) acestea pot emite gaz de hidrogen ceea ce poate cauza explozie. Trebuie să se asigure faptul că mediul este bine ventilat și ferit de flăcări deschise.



ATENȚIE!

- Verificați cu atenție mașina înainte de utilizare. Asigurați-vă că toate componentele au fost bine asamblate înainte de utilizare. În caz contrar, pot fi cauzate avarieri ale mașinii și rănirea persoanelor.
- Înainte de utilizarea încărcătorului, asigurați-vă că valorile frecvenței și tensiunea indicată pe eticheta cu numărul de serie al mașinii sunt corespunzătoare cu cele ale prizei de alimentare.
- Nu deplasați niciodată mașina trăgând de cablul încărcătorului bateriei. Nu lăsați cablul să treacă printr-o ușă închisă și nici nu îl înfășurați pe margini ascuțite, nici nu îl îndoiți în unghiuri ascuțite. Nu treceți cu mașina peste cablul de încărcare al bateriei. Feriți cablul încărcătorului de suprafețe încălzite. Nu încărcați bateriile dacă ștecherul sau cablul încărcătorului sunt defecte.
- Pentru reducerea riscului de incendiu, de electrocutare sau rănire, asigurați-vă că mașina este oprită înainte de plecare.
- Utilizați și depozitați mașina în spații închise, pe suprafețe uscate; este interzisă utilizarea ei în exterior.
- Temperatura de lucru și de depozitare a mașinii trebuie să fie între 0 °C și +40 °C, umiditatea aerului trebuie să fie de 30% - 95%.
- Nu utilizați mașina pe suprafețe în pantă cu unghi mai mare decât în specificația dată.
- Când utilizați și manipulați detergenți pentru curățare, urmați instrucțiunile de pe etichetele ambalajelor de detergent și purtați mănuși corespunzătoare și echipament de protecție.
- Utilizați periile și materialele textile furnizate cu mașina sau așa cum se prevede în manual. Utilizarea altor tipuri de perie sau materiale textile pot duce la diminuarea protecției.
- În caz de funcționare defectuosă a mașinii, asigurați-vă că aceasta nu se datorează lipsei operațiilor de întreținere. Dacă este necesar, solicitați asistență din partea personalului autorizat sau de la un centru service autorizat.
- Luați toate măsurile de precauție pentru a preveni prinderea părului, a bijuteriilor, a hainelor largi, în piesele aflate în mișcare ale mașinii.
- Nu utilizați mașina în zone cu foarte mult praf.
Nu spălați mașina cu jet direct de apă sau cu apă sub presiune și nici cu substanțe corozive.
- Nu tamponați mașina de rafturi sau de schele, mai ales dacă există riscul de cădere a diferitelor obiecte.
- Nu puneți pe mașină recipiente cu lichid, utilizați suportul dedicat pentru acestea.
- Pentru evitarea degradării podelei, nu lăsați peria în funcționare în timp ce mașina staționează.
- În caz de incendiu, utilizați un extingtor cu praf. A nu se utiliza extincitoare cu lichid.
- A nu se scoate sau modifica etichetele de pe mașină.
- Elementele de protecție ale mașinii să fie menținute în bună stare de funcționare, iar instrucțiunile de mentenanță să fie aplicate temeinic și în detaliu.
- Transportul mașinii când temperaturile sunt sub punctul de îngheț se va face cu atenție. Apa din rezervorul de recuperare și din furtune poate îngheța și cauza defecțiuni grave ale mașinii.
- Dacă trebuie înlocuite piesele de schimb, comandați piese de schimb ORIGINALE de la reprezentanți comerciali autorizați.
- Returnați mașina la centrul de service dacă aceasta nu funcționează în mod normal sau este în stare de avariere, a fost ținută în spații exterioare sau a căzut în apă.
- Pentru a vă asigura de funcționarea în condiții de siguranță a mașinii, operațiile de întreținere programată indicate în capitolul relevant trebuie să se execute de personal autorizat sau de un centru service.
- Mașina se va dezafecta în mod corespunzător întrucât conține substanțe dăunătoare (baterii, etc.), ce se supun prevederilor standardelor ce impun dezafectarea în centre speciale (vedeți capitolul Dezafectare).
- A se utiliza această mașină numai ca unealtă de curățare, nu în alt scop.
- A se menține întotdeauna orificiile neînfundate cu păr, praf sau alte corpuri străine, care ar putea reduce debitul de aer. A nu se utiliza mașina dacă orificiile ei sunt înfundate.
- A se utiliza mașina numai în locuri iluminate în mod corespunzător.
- Această mașină nu se va folosi de către persoane cu capacități mintale, senzoriale sau fizice reduse, sau de către persoane fără experiență și cunoștințe adecvate, decât dacă sunt supravegheate sau instruite cu privire la utilizarea mașinii de către o persoană responsabilă cu protecția muncii.
- Se va da atenție deosebită când mașina este folosită în preajma copiilor.
- Copiii vor fi supravegheați să nu se joace cu mașina.
- În timpul funcționării mașinii, aveți grijă să nu cauzați defectarea de obiecte sau rănirea de persoane.

DESCRIEREA MAȘINII

STRUCTURA MAȘINII (cum se arată în Figura 1)

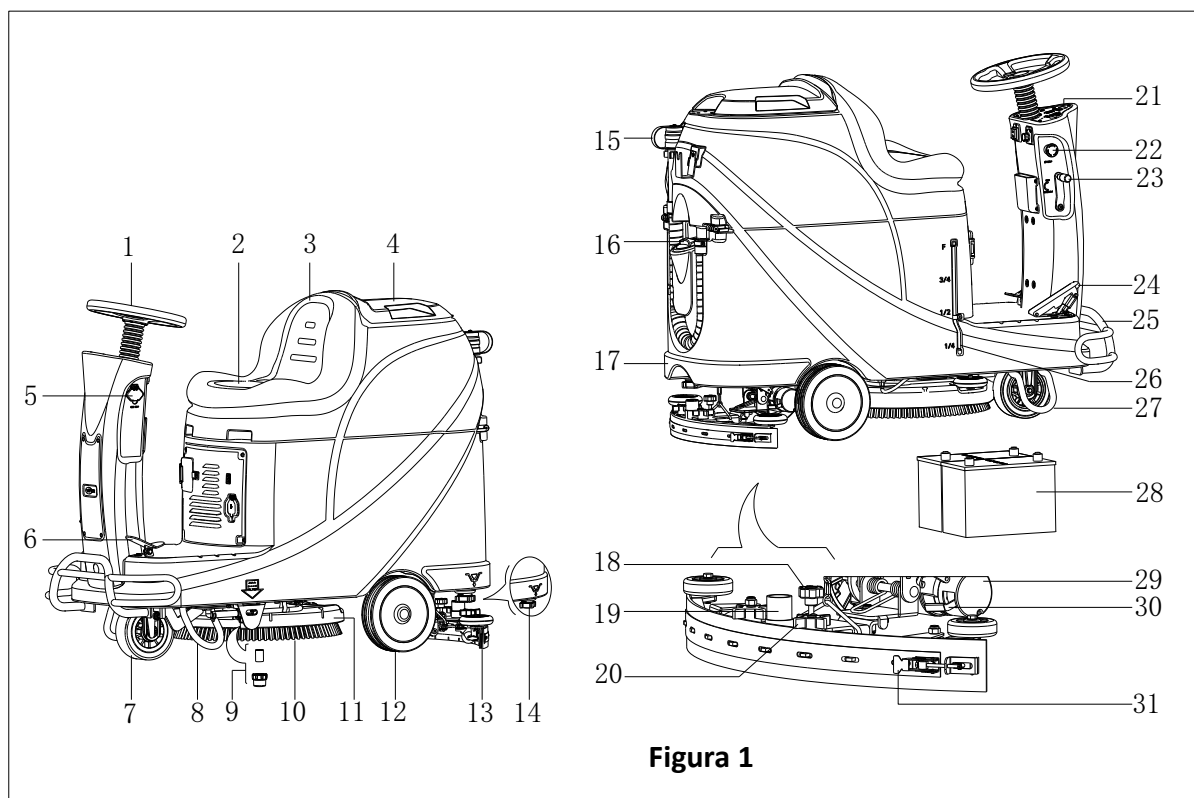


Figura 1

- | | |
|----------------------------------|------------------------------------|
| 1. Volan | 17. Rezervor soluție |
| 2. Pernă scaun | 18. Buton de ajustare mop |
| 3. Rezervor apă recuperată | 19. Furtun aspirare |
| 4. Capac rezervor apă recuperată | 20. Buton mop |
| 5. Port USB de încărcare | 21. Panou de comandă |
| 6. Pedală | 22. Comutator de avarie |
| 7. Roată frontală | 23. Pârghie coborâre /ridicare mop |
| 8. consolă suport stânga | 24. Pedală de accelerație |
| 9. Filtru soluție | 25. Bară de protecție față |
| 10. Perie | 26. Indicator nivel soluție |
| 11. Suport perie | 27. consolă suport dreapta |
| 12. Roată spate | 28. Baterie |
| 13. Ansamblu mop | 29. Motor tractor |
| 14. Capac evacuare soluție | 30. Frână blocare consolă |
| 15. Furtun de drenaj | 31. Balama mop |
| 16. Capac admisie apă | |

DESCRIEREA MAȘINII

PANOU DE COMANDĂ (cum se arată în Figura 2)

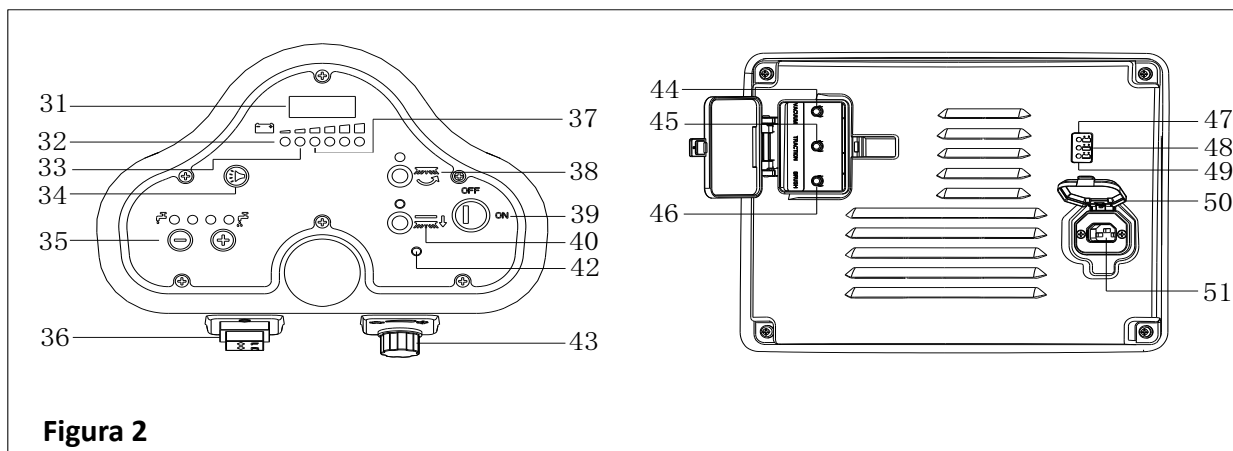


Figura 2

- | | |
|--|---|
| 31. Ecran LED | 42. Indicator luminos avarie motor tractor |
| 32. Indicator luminos avertizare baterie descărcată (roșu) | 43. Buton ajustare viteză |
| 33. Indicator baterie semi-descărcată (galben) | 44. Protecție la suprasarcină a motorului aspirator |
| 34. Buton claxon | 45. Protecție la suprasarcină a motorului periei |
| 35. Buton ajustare volum soluție | 46. Protecție la suprasarcină a motorului periei |
| 36. Comutator înainte /înapoi | 47. Indicator baterie complet încărcată (verde) |
| 37. Indicator de descărcare a bateriei (verde) | 48. Indicator baterie semi-încărcată (galben) |
| 38. Buton perie | 49. Indicator încărcare baterie (roșu) |
| 39. Comutator cheie | 50. Capac ștecher încărcător |
| 40. Buton descărcare perie | 51. ștecher încărcător |

INFORMAȚII AFIȘAJ ECRAN LED

STOP– Mașina nu se mai poate mișca, peria s-a oprit din funcționare dar motorul de aspirație funcționează

(00012.3) – Totalul orelor de funcționare al mașinii este de 12.3 ore

L0-(18) – Voltajul bateriei este mai mic de 18V

U-(25.5) – Voltajul bateriei este de 25,5V

ERR-01 – Mopul nu este ridicat atunci când mașina se întoarce în spate

FEREASTRĂ DE AFIȘARE STARE ÎNCĂRCĂTOR (cum se arată în Figura 2)

1. La începutul încărcării, LED-ul roșu (49) al încărcătorului este în mod normal aprins. Aceasta este prima etapă a încărcării.
2. După un anumit timp de încărcare LED-ul roșu (49) de pe încărcător se va stinge, se va aprinde LED-ul galben (48) – aceasta este a doua etapă de încărcare.
3. Când încărcarea s-a efectuat complet, LED-ul galben (48) se va stinge și se va aprinde LED-ul verde (47) indicând faptul că bateria este complet încărcată.

NOTĂ



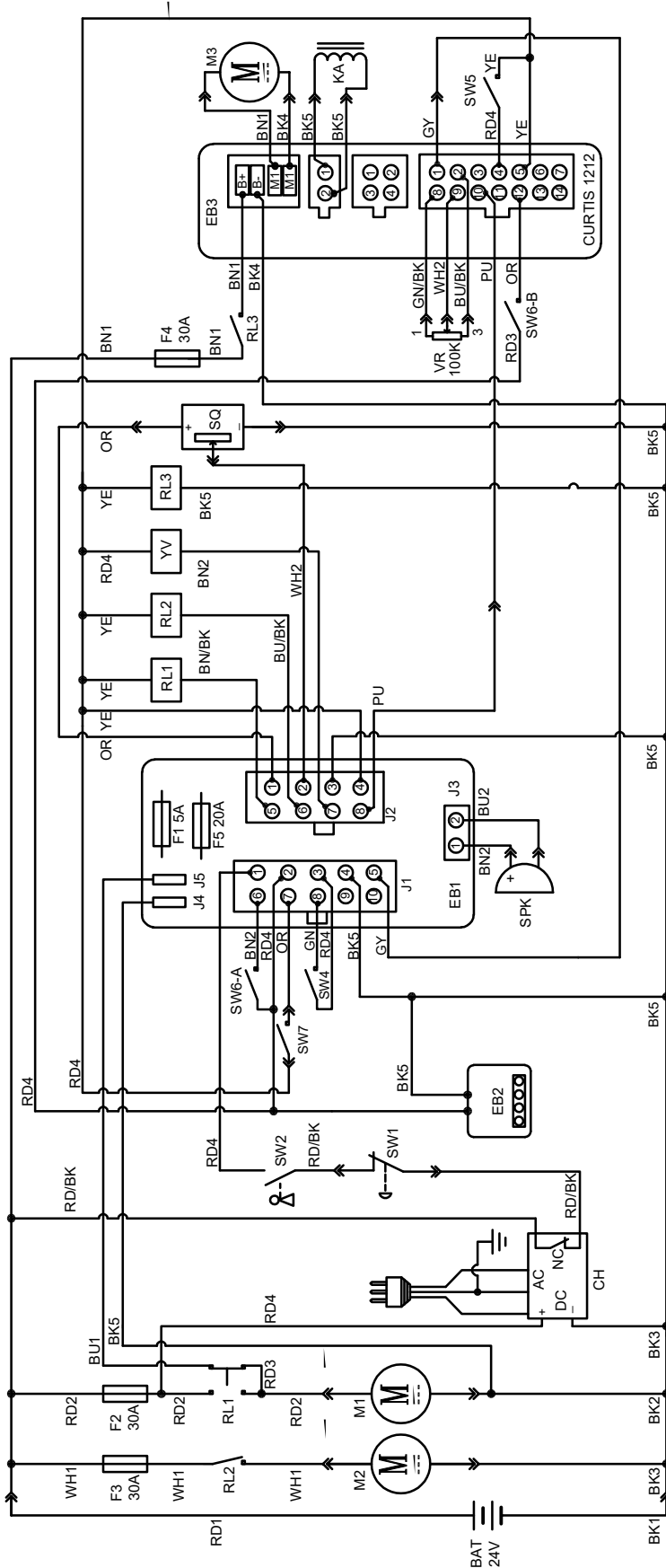
În cursul procesului de încărcare, dacă LED-ul galben (48) se aprinde, este posibil ca aceasta să fie cauzat de: faptul că bateria și încărcătorul nu se potrivesc, bateria nu se conectează bine sau există un scurt circuit.

Licărirea indicatorului luminos roșu de pe încărcător poate fi cauzată de un scurt circuit intern la încărcător.

PARAMETRII TEHNICI

MODEL	AS530R	
Dimensiuni ambalare (Lx W x H)	mm	1470*730*1310
Înălțime mașină	mm	1120
Lungime mașină	mm	1360
Lățime mașină (fără mop)	mm	580
Greutate mașină cu rezervoarele goale (fără baterii)	Kg	140
Greutate brută vehicul (GVW)	Kg	270
Greutate transport	Kg	245
Capacitate rezervor soluție	Litri	72
Capacitate rezervor apă recuperată	Litri	73
Putere motor aspirare	Watt	400
Capacitate aspirare	mm H ₂ O	1223
Capacitate de urcare (Max)	%	10
Diametru roată frontală	mm	φ175
Diametru roată spate	mm	φ230
Nivel zgomot	dB(A)	69
Debit soluție/ apă	L/min	0.84-2.0
Lățime de lucru	mm	530
Lățime mop	mm	730
Diametru perie/lavetă	mm	530
Putere motor perie	Watt	450
Viteză perie	Rpm	160
Presiune perie/ lavetă(Max)	Kg	23
Putere motor tracțiune	Watt	300W
Viteză de lucru	Km/h	5.5km/h
Tensiune	V	24V
Baterie (opțional)	Ah	2x100AH (20 ore)
Încărcător baterie (opțional)	V/A	24V 10A
Dimensiune compartiment baterie (L x W x H)	mm	350*380*300
Specificație USB încărcător	V/A	5V, 0.8A

DIAGRAMĂ DE CIRCUITE



WIRE ROD	
RD1	RED/6AWG
RD2	RED/10AWG
RD3	RED/18AWG
RD4	RED/20AWG
RD/BK	RED/BLACK / 20AWG
BK1	BLACK/6AWG
BK2	BLACK/10AWG
BK3	BLACK/14AWG
BK4	BLACK/14AWG
BK5	BLACK/18AWG
BN1	BROWN/14AWG
BN2	BROWN/20AWG
BN/BK	BROWN/BLACK / 20AWG
BU1	BLUE/18AWG
BU2	BLUE/20AWG
BU/BK	BLUE/BLACK / 20AWG
GN	GREEN/20AWG
GN/BK	GREEN/BLACK /20AWG
GY	GRAY/20AWG
PU	PURPLE/20AWG
OR	ORANGE/20AWG
YE	YELLOW/20AWG
WH1	WHITE/12AWG
WH2	WHITE/20AWG

COMPONENTS	
BAT	24V BATTERIES
CH	BATTERY CHARGER
EB1	CONTROL PANEL BOARD
EB2	USB CHARGING ELECTRONIC BOARD
EB3	DRIVE ELECTRONIC BOARD
RL1	BRUSH MOTOR
RL2	VACUUM MOTOR
RL3	DRIVE MOTOR
YV	EMERGENCY-STOP SWITCH
F1	KEY SWITCH
F2	VACUUM MOTOR SWITCH
F3	OPTIONAL MODE SWITCH
F4	OPTIONAL REVERSE SWITCH
F5	OPTIONAL REVERSE SWITCH
SQ	SEAT SWITCH
SPK	FOOT THROTTLE
VR	12VDC BUZZER
	SPEED POTENTIOMETER

COMPONENTE		COMPONENTE	
BAT	BATERII 24V	M1	MOTOR PERIE
CH	ÎNCĂRCĂTOR BATERIE	M2	MOTOR ASPIRARE
EB1	PLACĂ PANOUL DE CONTROL	M3	MOTOR TRACTOR
EB2	PLACĂ ELECTRONICĂ CU USB DE ÎNCĂRCARE	SW1	COMUTATOR OPRIRE AVARIE
EB3	PLACĂ ELECTRONICĂ DE ACȚIONARE	SW2	COMUTATOR CHEIE
RL1	COMUTATOR ELECTROM MOTOR PERIE		
RL2	COMUTATOR ELECTROM MOTOR ASPIRARE	SW4	COMUTATOR MOTOR ASPIRARE
RL3	COMUTATOR ELECTROM MOTOR TRACTOR	SW5	COMUTATOR MOD OPȚIONAL
YV	ELECTROVALVĂ APĂ	SW6-A	COMUTATOR MARȘARIER OPTIONAL
F1	SIGURANȚĂ EL. PANOUL CONTROL	SW6-B	COMUTATOR MARȘARIER OPTIONAL
F2	ÎNTRERUPĂTOR MOTOR PERIE	SW7	COMUTATOR SCAUN
F3	ÎNTRERUPĂTOR MOTOR ASPIRARE	SQ	PEDALĂ DE PICIOR
F4	ÎNTRERUPĂTOR MOTOR TRACTOR	SPK	SONERIE 12VDC
F5	SIGURANȚĂ ELECTRICĂ ELIBERARE PERIE	VR	POTENȚIOMETRU VITEZĂ
KA	FRÂNĂ		

CABLAJ		CABLAJ	
RD1	ROȘU/6AWG	BN/BK	MARO / NEGRU / 20AWG
RD2	ROȘU /10AWG	BU1	ALBASTRU/18AWG
RD3	ROȘU /18AWG	BU2	ALBASTRU/20AWG
RD4	ROȘU /20AWG	BU/BK	ALBASTRU / NEGRU / 20AWG
RD/BK	ROȘU / NEGRU / 20AWG	GN	VERDE/20AWG
BK1	NEGRU /6AWG	GN/BK	VERDE/ NEGRU /20AWG
BK2	NEGRU /10AWG	GY	GRI/20AWG
BK3	NEGRU /12AWG	PU	VIOLET/20AWG
BK4	NEGRU /14AWG	OR	ORANJ/20AWG
BK5	NEGRU /18AWG	YE	GALBEN/20AWG
BN1	MARO/14AWG	WH1	ALB/12 AWG
BN2	MARO /20AWG	WH2	ALB/20AWG

GHID DE OPERARE



ATENȚIE!

Dați mare atenție simbolurilor din acest manual:

- PERICOL!
- ATENȚIE!
- ATENȚIE!
- CONSULTARE

A nu se acoperi niciodată aceste simboluri de pe mașină, sub niciun motiv, iar dacă s-au deteriorat trebuie înlocuite imediat.

INSTALAREA ȘI SETAREA UNEI BATERII NOI DE MAȘINĂ



ATENȚIE!

Componentele electrice ale mașinii pot fi grav avariate dacă bateriile nu sunt instalate sau conectate corespunzător.

Bateriile trebuie instalate de către personal calificat. Setați încărcătorul bateriei (opțional) și placa de circuite integrate a mașinii conform tipului bateriei (WET sau GEL/AGM).

Verificați, înainte de instalare, ca bateriile să nu fie avariate.

Deconectați conectorul bateriei și stekerul încărcătorului.

Manipulați bateriile cu foarte mare atenție.



NOTĂ

Pentru mașină sunt necesare două baterii de 12V, conectate conform Figura 3.

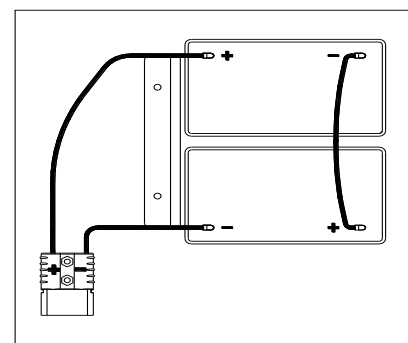


Figura 3

Mașina poate fi operată într-unul din următoarele moduri ale bateriei:

A) Baterii WET sau GEL/AGM sunt deja instalate și gata de utilizare

1. Verificați bateria și conectați conectorul bateriei la mașină.
2. Inserați comutatorul cheie (40) și rotiți la poziția "on". Dacă se aprinde indicatorul verde (37) bateriile sunt încărcate complet și sunt gata de utilizare; Dacă se aprinde indicatorul galben sau cel roșu (33 sau 32) bateriile trebuie încărcate

B) Fără baterii

1. Dacă mașina dvs. nu este echipată cu baterii, cumpărați baterii corespunzătoare [vedeți paragraful Date Tehnice]. Pentru alegerea și instalarea bateriilor apelați la un vânzător specializat calificat.
2. Când bateriile sunt pregătite, setați mașina și încărcătorul bateriei conform tipului de baterii instalate, apoi urmați procedurile indicate în următorul paragraf.

INSTALAREA BATERIILOR ȘI STABILIRE TIP BATERIE (UMEDĂ SAU CU GEL/ AGM)

Setați placa cu circuite electronice a mașinii și încărcătorul bateriilor conform tipului de baterii (WET or GEL/AGM) urmând pașii de mai jos:



NOTĂ

La instalarea unor noi baterii, respectați Figura 4 pentru setarea comutatorului DIP, în caz contrar, bateriile se pot avaria datorită setării necorespunzătoare.

Setarea mașinii

1. Insetați comutatorul cheie (40) și rotiți pe poziția "ON", dați atenție următoarelor aspecte în timpul primelor secunde de la pornirea mașinii:
 - Dacă indicatorul verde (37) licărește, mașina este setată pentru utilizarea bateriilor GEL/AGM.
 - Dacă indicatorul galben (33)) licărește, mașina este setată pentru utilizarea bateriilor Discover EV AGM.
 - Dacă indicatorul roșu (32) licărește, mașina este setată pentru utilizarea bateriilor WET.
2. Pentru schimbarea setărilor mașinii urmați pașii de mai jos.
3. Setările din fabrică ale mașinii sunt pentru utilizarea bateriilor Discover EV AGM. Dacă aceste setări corespund bateriilor selectate, săriți direct la pasul 6, sau aplicați pasul următor.

- Deșurubați șurubul (B, Figura 4) de pe panoul de comandă, apoi rotiți capacul plăcuței cu circuite integrate (A) de pe panou, pentru a găsi comutatorul DIP (D), urmați Figura 4 pentru setările DIP.
- După ce s-a efectuat setarea, executați pașii de dezasamblare în ordine inversă, pentru a monta la loc panoul de comandă și strângeți șurubul.

1		BATERII WET (NOTĂ: Rotiți pin1 și pin2 ai comutatorului DIP la poziția "OFF")
2		SCOATEȚI CAPACUL DE LA BATERIILE EV AGM (NOTĂ: Rotiți pin 1 al comutatorului DIP la poziția "ON", iar pin2 la poziția "OFF")
3		BATERIILE GEL/AGM (NOTĂ: Rotiți pin1 și pin2 ai comutatorului DIP la poziția "ON")

Figura 4

Instalarea bateriei

- Deschideți capacul rezervorului de apă recuperată (4) și verificați ca rezervorul de apă recuperată (3) să fie gol; dacă nu este, goliți-l cu ajutorul furtunului de scurgere (15).
- Închideți capacul rezervorului de apă recuperată (4).
- Răsturnați rezervorul de apă recuperată (3) cu atenție.
- Mașina este furnizată cu cabluri potrivite pentru instalarea a 2X12V baterii. Puneți cu atenție bateriile în compartimentul lor și instalați-le corect.
- Pozați și instalați cablul bateriei ca în (Figura 3), apoi strângeți cu grijă piulița de la fiecare bornă a bateriei.
- Puneți capacul de protecție pe fiecare bornă, apoi conectați conectorul bateriei.
- Readuceți, cu grijă, pe poziție rezervorul de apă recuperată (3).

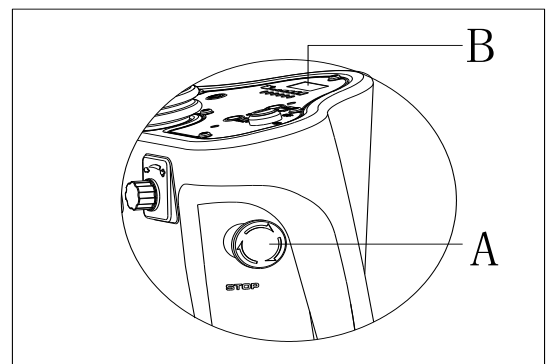


Figura 5

Încărcarea bateriilor

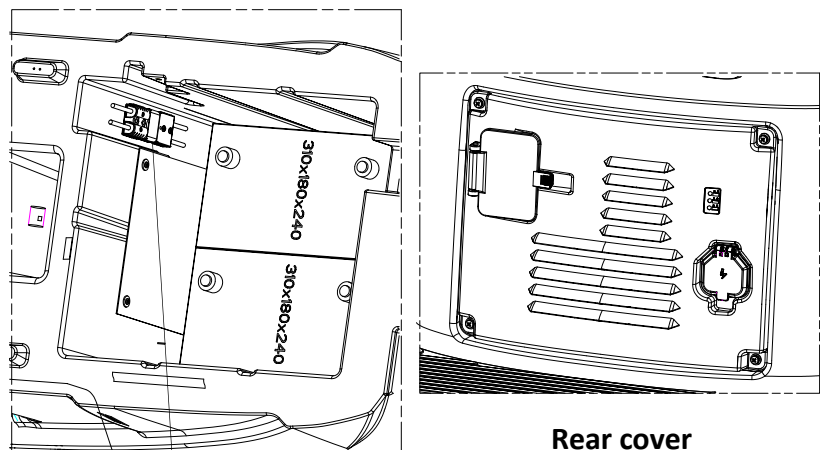
- Încărcarea bateriilor. [Consultați capitolele MENTENANȚĂ].

Setarea încărcătorului bateriei (numai pentru încărcătorul de bord, dacă este instalat)

Încărcător baterie

Încărcătorul bateriei este localizat în interiorul capacului din spate și este conectat direct la baterii. Încărcătorul este controlat de microprocesor și utilizează diferite feluri de curbe de încărcare pentru performanțe optime pentru diferite tipuri de baterii.

- Deconectați conectorul cablului care face legătura cu bateriile.
- Îndepărtați capacele posterioare.
- Îndepărtați cele 4 șuruburi (B) și scoateți încărcătorul (A).



Disconnect the connector

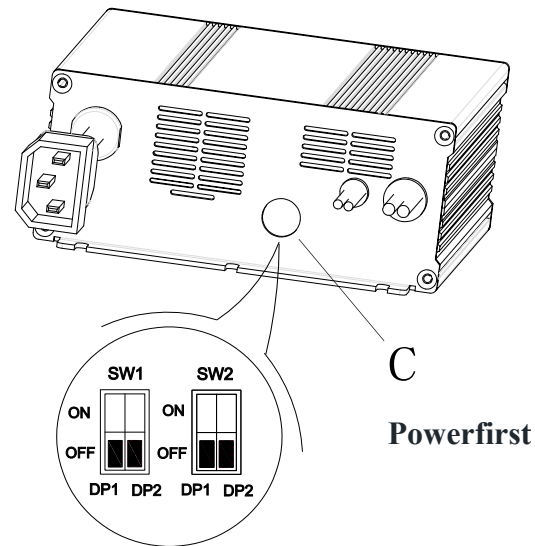
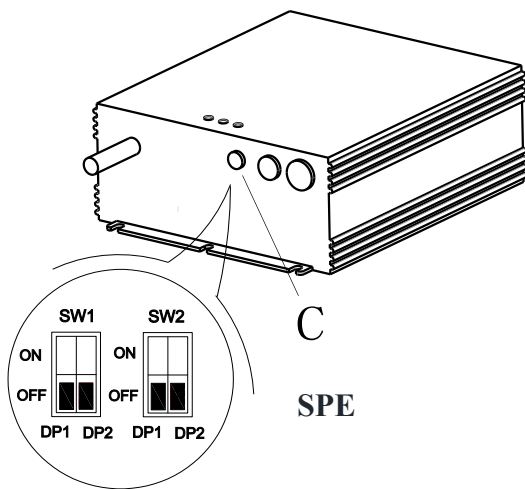
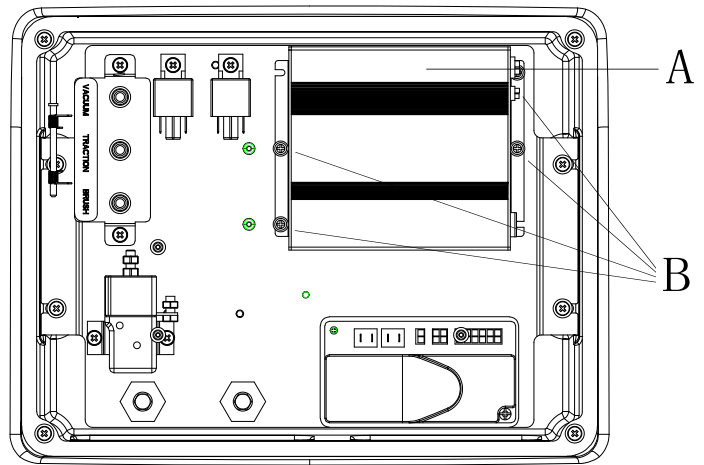
Rear cover

Tip de baterie comutator DIP

Funcția încărcătorului este controlată de 4 comutatoare DIP (2 perechi) în interiorul capacului posterior. A 2 pereche de comutatoare nu ar trebui atinsă niciodată cu excepția cazului în care au fost înlocuite și poziția lor trebuie confirmată, setați tensiunea bateriei (24V) și amperajul maxim (10A) și asigurați-vă că sunt mereu în poziție oprită.

Primele 2 comutatoare sunt accesibile printr-un capac de plastic, fără a fi necesară deschiderea încărcătorului. Aceste comutatoare setează tipul curbei de încărcare utilizat pentru fiecare tip de baterie. Tipul de curbă reprezintă modul și amplitudinea cu care curentul și tensiunea sunt aplicate bateriei în timpul diferitelor faze ale ciclului de încărcare.

1. Îndepărtați capacul de plastic care acoperă fanta de acces (C) la comutatorul DIP.
2. Setați primele 2 comutatoare DIP (SW1) conform tabelului de date de mai jos.
3. Înlocuiți capacul de plastic.



Curve/Battery Type	SW1		SW2	
	D1	D2	D1	D2
IUIa Wet	On	Off		
IUIa Gel Exide	Off	Off	Off	Off
IUoU AGM	Off	On		
IUIa AGM Discover	On	On		

Curve/Battery Type	SW1		SW2	
	D1	D2	D1	D2
IUIa Wet	On	Off		
IUIa Gel Exide	Off	Off	Off	Off
IUIa AGM	Off	On		
IUIa AGM Discover	On	On		

FRÂNAREA ÎN CAZ DE URGENȚĂ

Dacă în timpul operării mașinii se ivește un caz de urgență, apăsați comutatorul de avarie (A, Figura 5), apoi toate funcțiile mașinii se vor opri; nu va exista niciun afișaj pe panoul de comandă (B, Figura 5)

INSTALAREA ȘI DEZINSTALAREA PERIEI /LAVETEI



NOTĂ

Instalați o perie corespunzătoare (A, Figura 6) sau o lavetă (B și C, Figura 6) conform tipului de pardoseală pe care o curățați.



ATENȚIE

Înainte de instalarea sau dezinstalarea periei sau lavetei, asigurați-vă că toate comutatoarele mașinii sunt pe poziția OFF și că mopul este ridicat de la podea. Operatorul trebuie să fie echipat cu echipament de protecție adecvat, precum mănuși, care eare menirea de a reduce riscurile de accidentare. Procedați după cum urmează:

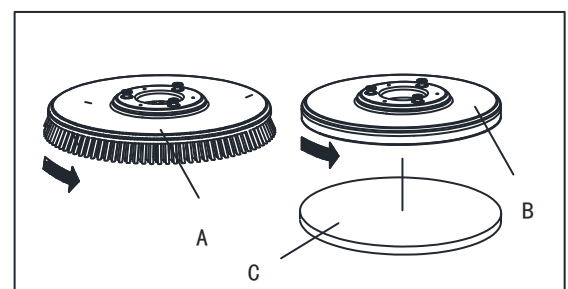


Figura 6

1. Insetați comutatorul cheie (40) și rotiți-l la poziția "ON".
2. Apăsați pedala (6) către față, cu piciorul, pentru a ridica ansamblul perie (11) de la podea.
3. Rotiți butonul de ajustare a vitezei (42) în sens invers acelor de ceasornic, până la capăt.
4. Amplasați peria (A, Figura 5) sau laveta (B, Figura 5) în centru, în aliniere cu suportul de perie.
5. Apăsați pedala (6) către spate, cu piciorul, pentru a coborî la podea ansamblul perie (11). Așezați-vă în scaun, apăsați butonul periei (39) și depresați ușor pedala (23), peria/laveta se pot asambla automat. Repetați acești pași până când peria/ laveta sunt instalate.
6. Dacă la pasul 5 nu s-a reușit instalarea periei/ lavetei, dați jos cu mâna peria sau laveta.
7. Depresați pedala (6) către față, cu piciorul, pentru a se ridica ansamblul perie (11) de la podea, apăsați butonul de scoatere a periei (41) pentru dezinstalare automată



ATENȚIE!

Rotiți butonul de ajustare a vitezei (42) la viteza minimă, înainte de a depresa pedala de accelerație (6) pentru a evita deplasarea prea rapidă a mașinii atunci când este pornită. Asigurați-vă că peria /laveta este corect instalată înainte ca mașina să fie pusă în funcțiune.

AJUSTAREA MOPULUI

1. Instalați mopul (13) și strângeți butonul mopului (20), apoi conectați furtunul de aspirare (19) la mop.
2. Ajustați mopul cu ajutorul mânerului de ajustare (A, Figura 7).
 - a) Dacă este un spațiu gol între podea și secțiunea din mijloc a lamei din spate a mopului (B) ajustați butonul (A) în direcția invers acelor de ceasornic (F) până când toată suprafața lamei din spate a mopului este în contact cu solul, iar lama din față atinge ușor solul.
 - b) Dacă este un spațiu gol între podea și ambele capete ale lamei din spate a mopului (C și D) ajustați butonul (A) în direcția acelor de ceasornic (E) până când toată suprafața lamei din spate a mopului este în contact cu solul, iar lama din față atinge ușor solul.

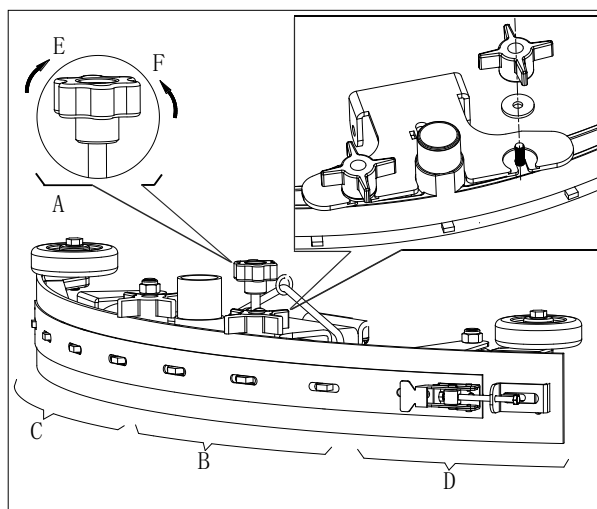


Figura 7

UMPLEREA REZERVORULUI DE SOLUȚIE

1. Deschideți capacul intrării pentru apă (E, Figura 8).
2. Umpleți cu apă sau soluție potrivită pentru executarea lucrării, prin intrarea pentru apă prevăzută cu filtru. Temperatura soluției nu trebuie să depășească +104F (+40°C).
3. Nu umpleți complet rezervorul, respectați indicatorul de nivel (G) pentru volumul apei.



ATENȚIE!

A se utiliza numai detergenți neinflamabili și cu spumă redusă, destinați pentru aplicații de rașchetare automată.

Inspectarea motorului tractor

1. Rotiți comutatorul cheie (A, Figura 9) la poziția "ON"
2. Depresați ușor pedala de accelerație (C) și slăbiți-o pentru a verifica dacă mașina poate fi condusă în direcția către față și oprită.
3. Pentru a vă asigura de siguranța în funcționare, confirmați dacă mașina poate fi oprită imediat prin apăsarea butonului de avarie (B). Rotiți butonul de avarie pentru a-l reseta.

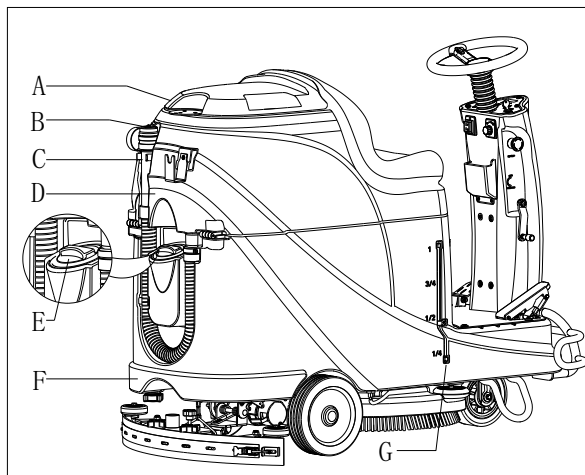


Figura 8



ATENȚIE

Capacitatea de urcare a mașinii nu trebuie să depășească 10%.



ATENȚIE

Frâna motorului tractor nu este pusă atunci când motorul funcționează în mod normal, ea se blochează atunci când motorul se oprește din funcționare.

- Deblocarea frânei – mânerul frânei(D, Figura 9) în poziție superioară
- Blocarea frânei –mânerul frânei în poziție inferioară
În anumite cazuri speciale, precum ambalarea /dezambalarea mașinii, avarierea mașinii, etc.,când trebuie ca mașina să fie deplasată fără a fi pus în funcțiune motorul tractor, deblocați manual frâna pentru a se putea face deplasarea mașinii.
Pentru a se evita riscurile de securitate a muncii, puneți frâna din nou pe poziția de blocare când aceasta nu se deplasează.

PORNIREA ȘI OPRIREA MAȘINII

Pornirea mașinii

1. Pregătiți mașina așa cum s-a arătat în paragraful anterior.
2. Așezați-vă pe scaun (L, Figura 10), inserați cheia (A) și rotiți-o la poziția "ON". Dacă se aprinde indicatorul verde (C) bateria este complet încărcată și gata de utilizare. Dacă indicatorul galben (E) sau cel roșu (D) se aprind, bateriile trebuie încărcate înainte de punerea în funcțiune. [Consultați capitolul MENȚENANȚĂ pentru încărcarea bateriei]
3. Coborâți ansamblul mp pe podea.

NOTĂ



Asigurați-vă că racleta este ridicată de la podea înainte ca mașina să se deplaseze în marșarier, în caz contrar Mașina se va opri și pe ecranul LED se va afișa "Error".

4. Coborâți ansamblul perie la podea

NOTĂ



Asigurați-vă că ați pus pe poziția "off" butonul periei înainte ca ansamblul periei să fie ridicat și ridicați peria de la poda înainte ca mașina să fie deplasată în față sau în marșarier.

5. Apăsați butonul periei (B)
6. Depresați pedala de accelerație (R), conduceți mașina înainte sau înapoi cu ajutorul volanului (N) împreună cu comutatorul (H) de deplasare înainte/înapoi; puteți ajusta viteza cu ajutorul butonului de ajustare a vitezei (I).
7. Ajustați debitul soluției prin cu butonul de ajustare (G) în funcție de necesitatea de curățare.
8. Puteți să vă încărcați telefonul sau tableta utilizând portul USB de încărcare (M) când cheia (A) este pe poziția "ON".
9. Apăsați claxonul (F) pentru a avertiza persoanele în caz de necesitate.
10. Dacă este necesar, apăsați butonul de urgență pentru oprirea mașinii în caz de urgență.

NOTĂ



Motorul periei, motor aspirației, motor tractor și circuitul de comandă sunt protejate la suprasarcină cu protecția (P). Când protecția la suprasarcină se declanșează, nu îl resetați imediat, fără a identifica cauza principală a declanșării și asigurați-vă că motorul s-a răcit înainte de resetarea sa

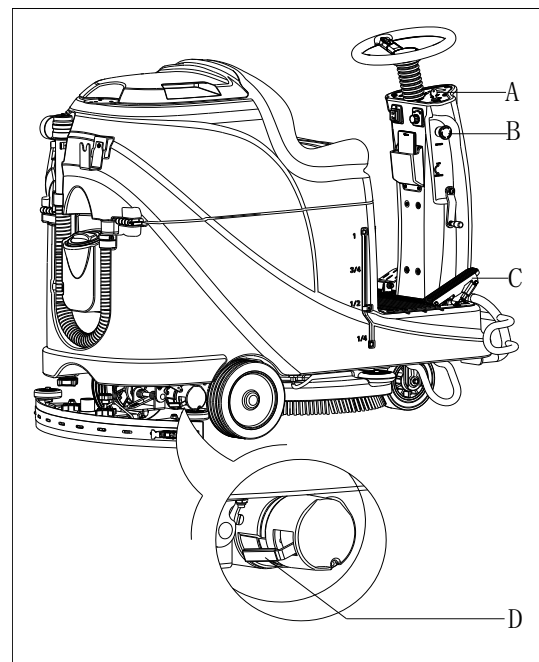


Figura 9

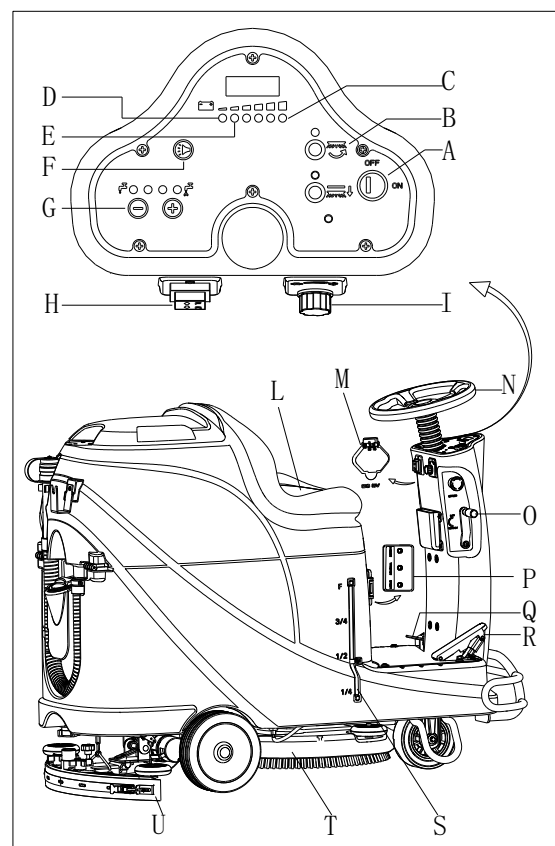


Figura 10

Oprirea mașinii

11. Eliberați pedala de accelerație (R, Figura 10), mașina se va opri din deplasare.
12. Apăsați butonul periei (B) pentru a opri motorul periei.

13. Ridicați ansamblul periei (T) prin depresarea pedalei (Q).
14. Ridicați ansamblul mop (U) cu ajutorul pârghiei de ridicare/ coborâre ansamblu aspiratie (O), și după câteva secunde se va opri sistemul de aspirare.
15. Rotiți cheia pe poziția "OFF"
16. Asigurați-vă că mașina s-a oprit.

OPERAREA MAȘINII (FRECARĂ ȘI USCARE)

1. Porniți mașina conform procedurilor din paragrafele anterioare.
2. Începeți să faceți curățenie aplicând procedurile de la paragraful "Pornirea mașinii".
3. Dacă este necesar, opriți mașina pentru a ajusta mopul, conform secțiunii "Ajustarea echilibrului mopului".



ATENȚIE!

Pentru a evita deteriorarea suprafeței podelii, opriți suportul de lavetă/peria atunci când mașina este oprită într-un loc.



NOTĂ

Pentru frecarea/ uscarea corespunzătoare a podelei la îmbinarea cu peretele, vă sugerăm să mergeți pe lângă perete cu partea dreaptă (partea cu bară de protecție la roată) a mașinii așa cum se arată în Figura 11 de mai jos.

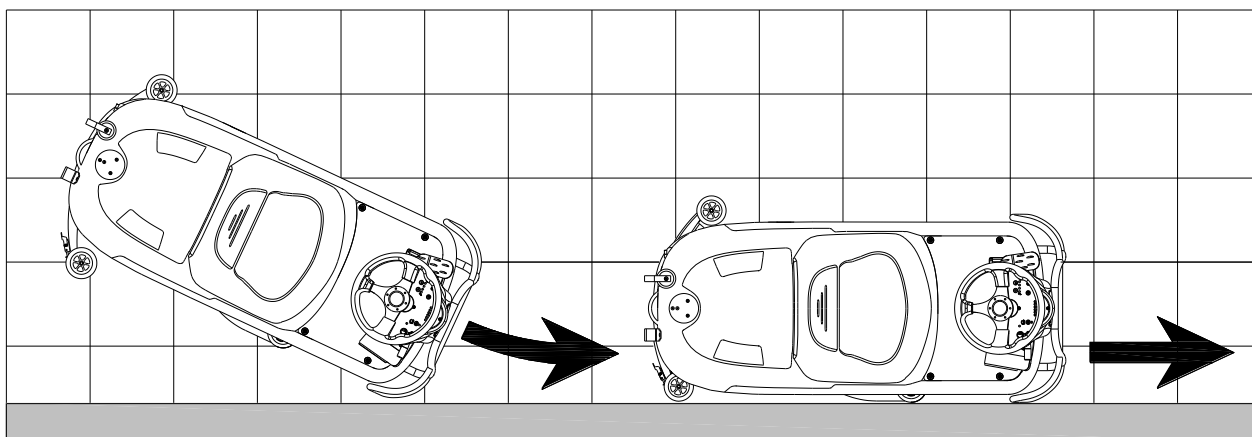


Figura 11

Încărcarea bateriei în timpul funcționării

Când se aprinde indicatorul verde (A, Figura 12) bateriile au suficientă putere pentru ca mașina să funcționeze în mod normal; când toate indicatoarele verzi sunt stinse, indicatorul galben (C, Figura 12) este aprins, puterea bateriei este prea slabă, vă rugăm încărcați bateriile; când indicatorul roșu (B, Figura 12) licărește, bateriile s-au descărcat, motor aspirator și motorul periei se vor opri în mod automat după câteva secunde; vă rugăm duceți mașina la încărcat bateriile imediat.



ATENȚIE!

Pentru a evita defectarea bateriilor și scurtarea duratei lor de viață, nu utilizați mașina când bateriile sunt descărcate.

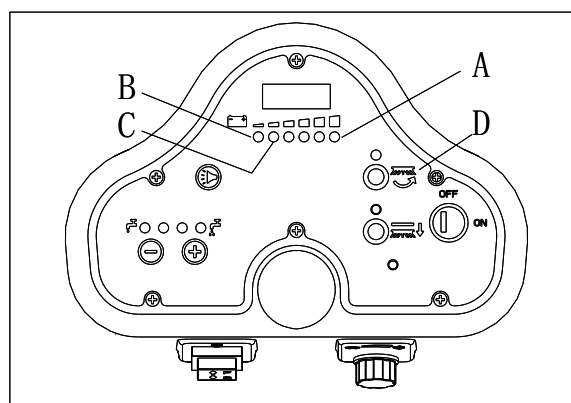


Figura 12

GOLIREA REZERVORULUI

Un sistem de închidere automată, cu flotor, (B, Figura 13) va bloca sistemul de aspirare când rezervorul de apă recuperată (C) este plin. Dezactivarea aspirării va fi semnalizată printr-o creștere bruscă a frecvenței zgomotului motorului de aspirare, iar podeaua nu va mai fi uscată.



ATENȚIE!

Dacă aspirarea se oprește în mod accidental (de exemplu, când flotorul este cativat datorită unei mișcări bruște a mașinii), pentru a relua funcționarea: închideți sistemul de aspirare, apăsând butonul (D, Figura 12), apoi deschideți capacul (A, Figura 11) și verificați ca flotorul din interiorul grătarului (B) să se coboare la nivelul apei. Apoi închideți capacul (A) și porniți aspirarea apăsând comutatorul (D, Figura 12).

Când rezervorul de apă recuperată (C, Figura 13) este plin, goliți-l respectând următoarea procedură.

Golirea rezervorului de apă recuperată

1. Opriți mașina.
2. Ridicați puntea periei/suportului de lavetă (H, Figura 12) apăsând pedala (G).
3. Ridicați racleta cu ajutorul pârghiei (H).
4. Deplasați mașina la locul destinat golirii murdăriei.
5. Goliți rezervorul de apă recuperată cu ajutorul furtunului (D). Apoi clătiți rezervorul cu apă curată.



ATENȚIE!

Când se evacuează apa uzată, furtunul de drenaj trebuie împăturit (A, Figura 14) și pus pe o poziție joasă (B, Figura 14) înainte de a deschide capacul de la furtunul de drenaj. Nu evacuați apa uzată în poziția verticală a furtunului pentru a se evita stropirea cu apă murdară a operatorului.

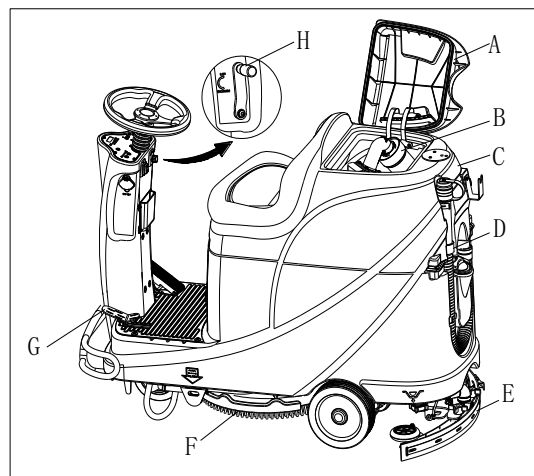


Figura 13

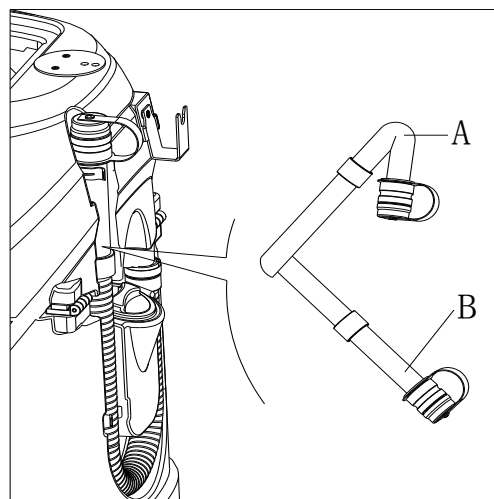


Figura 14

Golirea rezervorului de soluție/ apă curată

6. Executați pașii de la 1 la 4 din capitolul "Golirea rezervorului de apă recuperată".
7. Goliți rezervorul de soluție prin capacul (A, Figura 15). Și apoi clătiți rezervorul cu apă curată.

DUPĂ UTILIZAREA MAȘINII

După executarea lucrării, înainte de a depozita mașina:

1. Scoateți periile/ suportul de lavetă.
2. Goliți rezervoarele (B și C, Figura 15) cum se arată în paragrafele anterioare.
3. Executați operațiunile de întreținere zilnică (vedeți capitolul Menținere).
4. Depozitați mașina într-un loc uscat și curat, cu periile/suportul de lavetă scoase sau ridicate.

INACTIVITATE ÎNDELUNGATĂ A MAȘINII

Dacă mașina nu se va folosi o perioadă mai mare de 30 de zile, procedați după cum urmează:

1. Executați procedurile date în paragraful "DUPĂ UTILIZAREA MAȘINII".
2. Deconectați conectorul (D, Figura 15) al bateriei.

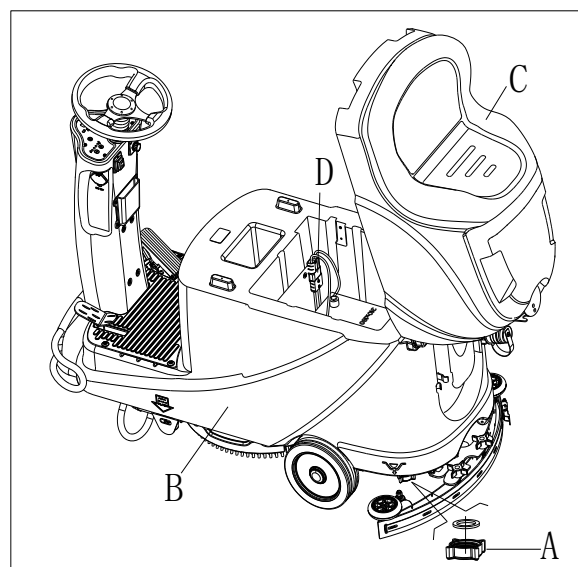


Figura 15

PRIMA UTILIZARE

După nouă ore de funcționare a mașinii la prima punere în funcțiune, verificați dacă au apărut avarieri sau situații anormale; verificați elementele de prindere sau fittingurile care trebuie să nu fie slabe.

ÎNTREȚINERE



ATENȚIE!

Procedurile de mentenanță trebuie executate după ce mașina a fost oprită și cablul de încărcare a fost deconectat. În plus, citiți cu atenție capitolele dedicate protecției muncii, din manual.

Toate procedurile de mentenanță programate sau extraordinare, trebuie executate de personal calificat sau de un centru service autorizat. În acest manual se descriu doar procedurile generale și comune de întreținere.

Pentru alte proceduri de mentenanță care nu se află în tabelul cu operațiile programate de întreținere, consultați manualul de service ce poate fi consultat la oricare dintre centrele de service ale companiei noastre.

TABEL ÎNTREȚINERE PROGRAMATĂ



ATENȚIE!

Procedura marcată cu (1) trebuie executată când mașina a fost utilizată timp de 9 ore pentru prima dată.

Procedura marcată cu (2) trebuie executată de un centru de service autorizat de compania noastră.

Procedură	Zilnic, după fiecare utilizare	Săptămânal	bianual	anual
Încărcare baterie				
Curățare racleta aspirare				
Curățare suport perie/material textil				
Curățare rezervor				
Inspectare garnitură etanșare rezervor				
Curățare filtru sferic flotor				
Verificare și înlocuire lamă mop				
Curățare filtru de apă de curățare				
Curățare filtru de apă uzată				
Verificare nivel de fluid baterie WET				
Inspectare înșurubare șuruburi și piulițe			(1)	
Verificare sau înlocuire perie /suport lavetă				(2)
Verificare sau înlocuire perie și motor aspirare				(2)
Verificarea sau înlocuirea sistemului motor cu perie carbon (numai pentru mașina cu tracțiune)				(2)
Adăugați ulei lubrifiant la părțile în mișcare			(1)	

ÎNCĂRCAREA BATERIEI



NOTĂ

Please charge the batteries when the yellow LED (32) or red LED (33) is on, or at the end of each working cycle.



ATENȚIE

Menținerea bateriei în stare de încărcare completă poate extinde durata sa de viață.



ATENȚIE

Încărcați bateria imediat ce nivelul ei de încărcare devine scăzut, în caz contrar durata de viață a bateriei se poate scurta. Este bine să se verifice starea bateriei o dată pe săptămână



ATENȚIE!

Acordați atenție specială în timpul încărcării bateriei întrucât pot apare scurgeri de acid.

Acidul de baterie este coroziv, dacă vine în contact cu ochii sau pielea, în mod accidental, clățiți imediat cu foarte multă apă curată și consultați un doctor.

Pregătirea pentru încărcarea bateriei

1. Deschideți capacul rezervorului apei recuperate (B, Figura 16) pentru a vedea dacă rezervorul apei recuperate (C) este gol, sau goliți rezervorul cu ajutorul furtunului de drenaj (A).
2. Duceți mașina la locul desemnat pentru încărcarea bateriilor.
3. Rotiți cheia pe poziția "OFF".
4. Acest pas este doar pentru bateriile WET:
 - Curățați suprafața bateriei dacă este necesar.
 - Verificați nivelul de electrolit din baterie (D), dacă este necesar, deschideți capacul și completați cu electrolit apoi puneți la loc capacul.
 - Țineți capacul deschis în timpul încărcării.
5. Selectați unul din modurile de mai jos de încărcare, în funcție de tipul bateriilor.

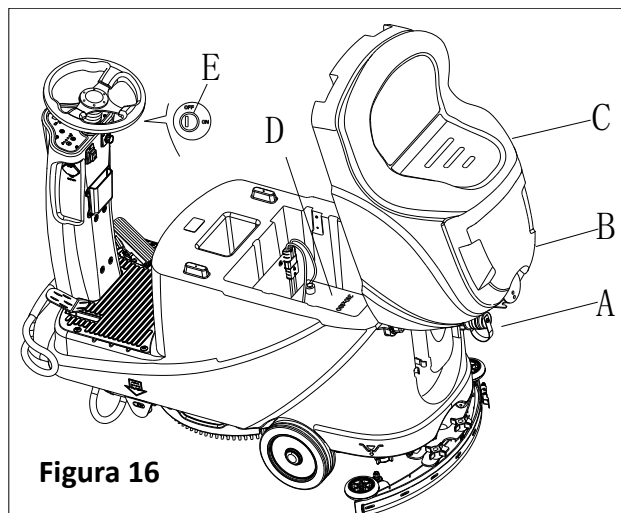


Figura 16

Utilizarea încărcătorului incorporate pentru încărcarea bateriilor

6. Conectați cablul încărcătorului (A, Figura 17) la priza electrică (G), și toate funcțiile mașinii, cu excepția încărcării bateriilor, vor fi întrerupte. În mod normal, indicatorul LED roșu (B) va indica faptul că mașina e în curs de încărcare.
7. Bateriile sunt complet încărcate atunci când indicatorul LED verde (C) se aprinde.
8. Deconectați cablul încărcătorului de la priza electrică după ce încărcarea s-a efectuat complet, apoi depozitați cablul încărcătorului în compartimentul pentru depozitare (D).

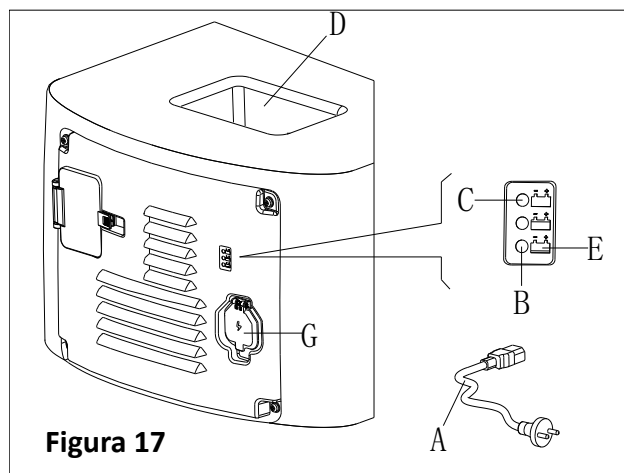


Figura 17



NOTĂ

Pentru mai multe informații despre încărcătorul încorporat (E, Figura 17), consultați manualul relevant de la centrul de service

CURĂȚAREA PERIEI/ LAVETEI



ATENȚIE!

Se recomandă purtarea de mănuși la curățarea periei sau a suportului lavetei întrucât pot exista cioburi ascuțite.

1. Scoateți peria /suportul lavetei conform procedurilor din secțiunile anterioare.
2. Curățați peria /suportul lavetei cu apă și detergent.
3. Verificați integritatea și capacitatea de abraziune a periei. Dacă este necesar înlocuiți peria.
4. Verificați capacitatea de abraziune a lavetei de polișare. Dacă este necesar înlocuiți-o.

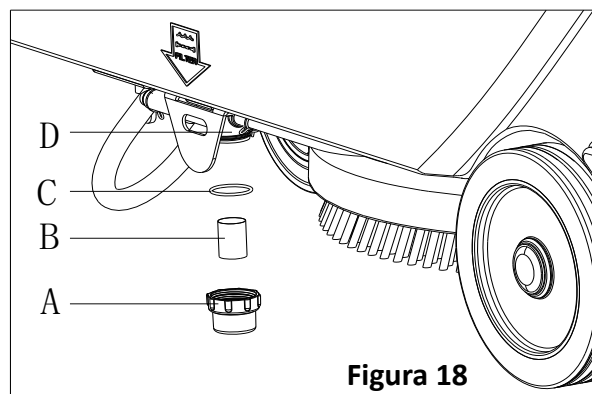


Figura 18

CURĂȚAREA FILTRULUI SOLUȚIEI

1. Puneți mașina pe o suprafață dreaptă.
2. Asigurați-vă că mașina este oprită
3. Goliți rezervorul de soluție (pas optional).
4. Scoateți capacul de la filtrul de soluție (A, Figura 18) pentru a curăța suprafața filtrului (B) apoi montați-l la loc pe suportul filtrului (D).



NOTĂ

Suprafața filtrului (B) trebuie poziționată corect față de carcasa suportului filtrului (D).

CURĂȚAREA MOPULUI



NOTĂ

Racleta trebuie să fie curată, iar lamele lui trebuie să fie în bună stare pentru a se realiza o uscare corespunzătoare.



ATENȚIE!

Se recomandă purtarea mănușilor de protecție la curățarea racletei întrucât pot exista resturi ascuțite de material.

1. Puneți mașina pe o suprafață dreaptă.
2. Puneți cheia (A, Figura 19) pe poziția "OFF".
3. Coborâți mopul (B) cu ajutorul pârgheii (C).
4. Slăbiți butoanele-șurub (D) și apoi scoateți racleta.
5. Deconectați furtunul de aspirație (E) de la mop.
6. Curățați partea metalică a racletei, mai ales secțiunile compartimentate (A, Figura 20) și fantele (B). Verificați integritatea piesei, lama din față (B) și lama din spate (C) să nu prezinte tăieturi sau rupturi. Dacă este necesar înlocuiți-le conform procedurilor din următorul paragraf.
7. Asamblați racleta în ordinea inversă dezamblării.

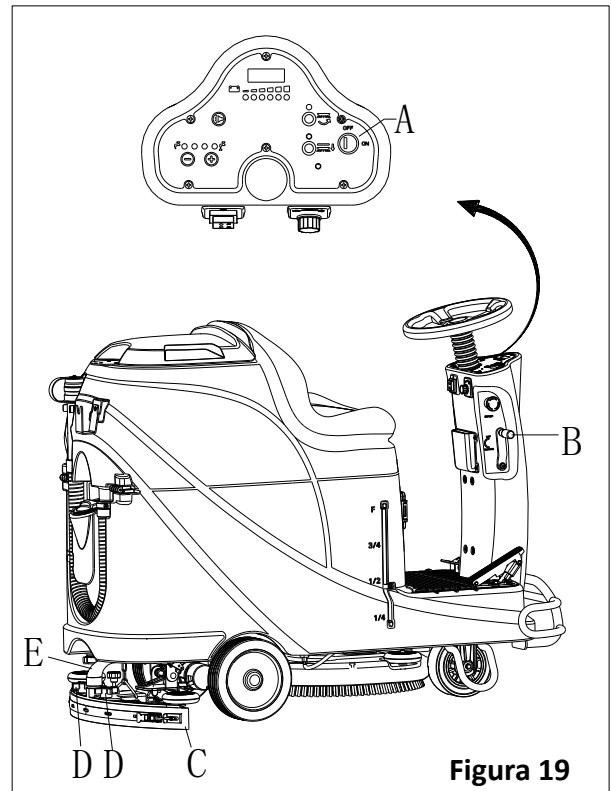


Figura 19

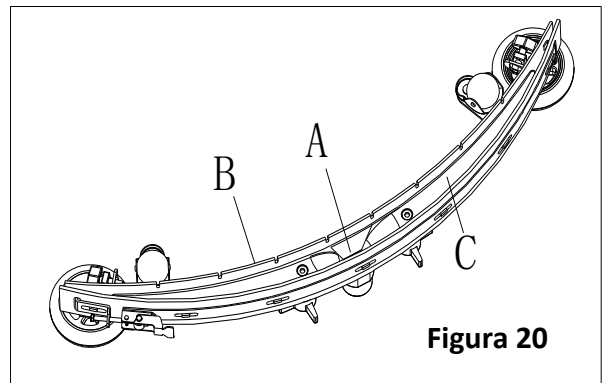


Figura 20

CURĂȚAREA ȘI ÎNLOCUIREA LAMEI RACLEI DE ASPIRARE

1. Curățați racleta de oțel sau aluminiu după cum s-a arătat în paragraful anterior.
2. Verificați ca marginile (E, Figura 21) lamei din față (C) și marginile (F) lamei din spate (D) să se așeze complet la același nivel; dacă este necesar, ajustați înălțimea acestora conform următoarei proceduri:
 - Scoateți racordul (G), desfaceți elementele de prindere (M) și ajustați lama din spate (D), apoi fixați elementele de prindere (M) și instalați racordul (G).
 - Slăbiți butoanele-șuruburi (I) și ajustați lama din față (C), apoi strângeți butoanele-șurub.
3. Verificați lama din față (C) și lama din spate (D) să nu fie uzate, rupte, tăiate; dacă este necesar, înlocuiți-le conform următoarei proceduri. Verificați colțarul din față (J) al lamei din spate (D) să nu fie uzat; dacă este necesar, întoarceți lama cu partea de jos în sus, pentru a înlocui colțarul uzat cu unul nou. Dacă și celelalte colțare sunt uzate, înlocuiți lama conform următoarei proceduri:
 - Scoateți racordul (G), desfaceți elementele de prindere (M) și scoateți banda de prindere (K), apoi înlocuiți/ răsuciți lama (D). Asamblați lama în ordinea inversă dezamblării.
 - Deșurubați butoanele-șurub (I) și scoateți banda de fixare (L), apoi înlocuiți lama din față (C). Asamblați lama în ordinea inversă dezamblării. După înlocuirea lamei (sau răsucirea acestora pe partea cealaltă), ajustați înălțimea lor, cum se arată în paragraful anterior.
4. Conectați furtunul (A, Figura 22) de aspirație la mop.
5. Instalați racleta (B) și înșurubați butoanele (C).
6. Dacă este necesar, ajustați echilibrarea racletei cu ajutorul butonului (D).

CURĂȚAREA REZERVORULUI ȘI GRĂȚARULUI DE PE ASPIRARE CU FLOTOR ȘI VERIFICAREA GARNITURII CAPACULUI

1. Aduceți mașina la nivelul podelei.
2. Asigurați-vă că mașina este oprită și cheia de contact (40) a fost scoasă.
3. Rotiți capacul rezervorului de recuperare (A, Figura 23) la 90 de grade, de unde poate fi scos de pe rezervor, și apoi scoateți filtrul flotor cu sferă (P) din rezervor.
4. Curățați capacul rezervorului de recuperare (A), rezervorul de recuperare (B), rezervorul de apă curată (C) și cadrul suport al filtrului flotor cu sferă (E). Goliți rezervorul de recuperare cu ajutorul furtunului de scurgere (15).
5. Dacă este necesar, urmați simbolurile "OPEN" (DESCHIS) și "CLOSE" (ÎNCHIS), după cum se vede în Figura 23 pentru a deschide capacul de la partea inferioară (F) a filtrului flotor și apoi curățați sfera flotoare (D), cadrul suport al filtrului (E) și buretele filtrului (I). După curățare, fixați sfera flotoare (D) pe cadrul suport al filtrului (E) și apoi aliniați marcajul-canelură (L) de pe capacul de la partea superioară (F) a filtrului flotor, cu marcajul-canelură (L) de pe cadrul suport al filtrului (E). Înșurubați strâns capacul de la partea inferioară a filtrului flotor și fixați buretele (I) pe cadrul suport al filtrului (E). În final, conectați-l la furtunul de scurgere a apei uzate (M).
6. Inspectați integritatea garniturii de etanșare a rezervorului.

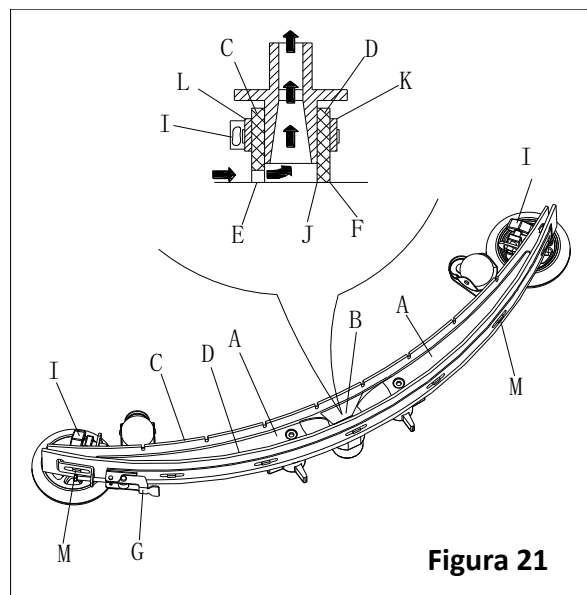


Figura 21

NOTĂ

Garnitura de etanșare a rezervorului (G) determină producerea aspirației în interiorul rezervorului în timpul funcționării motorului de aspirare. Rezervorul trebuie etanșat bine pentru a se absorbi cu eficiență apa de pe sol în rezervorul de recuperare.

7. Verificați dacă suprafața de contact a garniturii de etanșare (G) este integră și etanșarea se realizează suficient. Dacă este necesar, scoateți garnitura de etanșare din canelura presetupei (H) și înlocuiți-o. Asamblați noua garnitură de etanșare așa cum se vede în Figura 23, îmbinarea trebuie să se facă în zona din mijloc.
8. Închideți capacul rezervorului de recuperare (A).

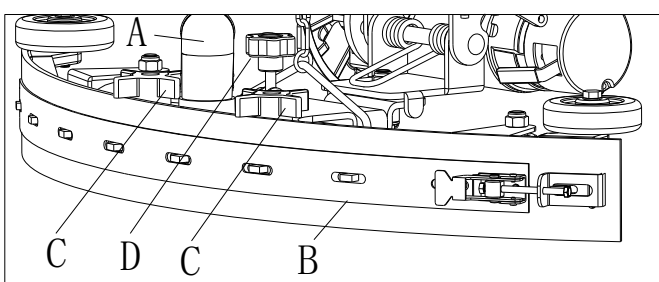


Figura 22

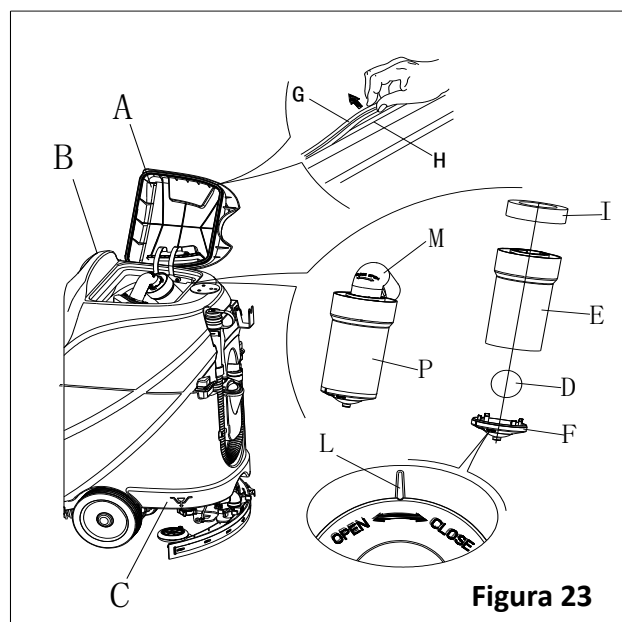


Figura 23

VERIFICAREA/ÎNLOCUIREASIGURANȚEI ELECTRICE

1. Rotiți cheia (D, Figura 24) pe poziția "OFF".
2. Deconectați cablul bateriei.
3. Deșurubați șurubul (C) de pe panoul de comandă și întoarceți placa cu circuite integrate pentru a găsi siguranța electrică (A și B).
4. Verificați/înlocuiți siguranțele:
 - A) F1 este siguranța pentru circuitul de putere redusă (5A)
 - B) F3 este siguranța pentru demontarea periei (20A)
5. După ce s-a executat verificarea/înlocuirea, reasamblați în ordinea inversă dezasamblării
6. Verificați sau resetați protecția motorului la suprasarcină
 - E) F5 este protecția motorului de aspirație la suprasarcină (30A)
 - F) F4 este protecția motorului tractor la suprasarcină (30A)
 - G) F2 este protecția motorului periei la suprasarcină (30A)

ACCESORII /OPȚIUNI

În plus față de componentele standard, mașina poate fi echipată cu următoarele accesorii/ opțiuni, în funcție de utilizarea specifică a mașinii.

Pentru alte informații cu privire la mai sus menționatele accesorii opționale, contactați un distribuitor autorizat.

Accesorii /Opțiuni

Vedeți secțiunea "Lista cu piese

1. Baterii GEL/AGM
2. Lavete din materiale diferite

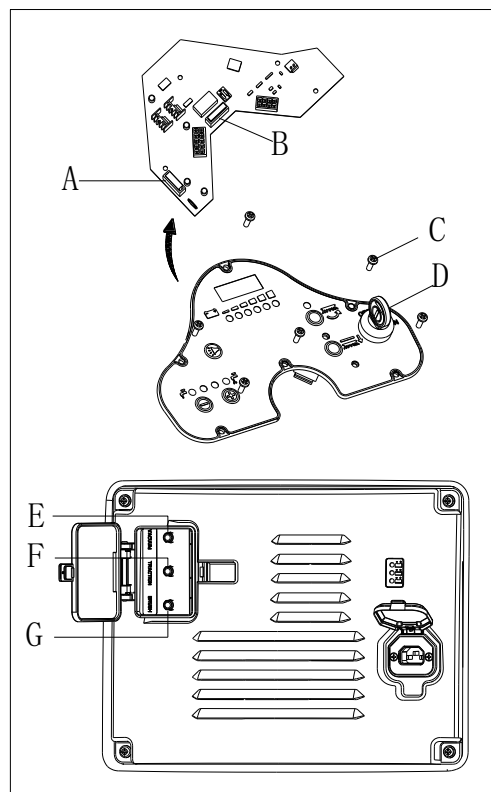


Figura 24

DEPANARE

Defecțiune	Cauze probabile	Remediere
Motoarele nu funcționează; niciun indicator nu este aprins (C9)	Conectorul bateriei este decuplat	Conectați conectorul bateriei
	Bateriile sunt complet descărcate	Încărcați bateriile
Mașina nu funcționează, indicatorul roșu al bateriei este aprins (C8)	Bateria descărcată	Încărcați bateriile
Mașina nu se deplasează înainte / înapoi	Placa cu circuite de comandă e defectă	Înlocuiți placa cu circuite de comandă
	Controlerul motorului tractor e defect	Vedeți "INFORMAȚII CU PRIVIRE LA INDICATORUL DE EROARE MOTOR"
	The operator not on the seat	Așezați-vă pe scaun
	Squeegee is not lifted during machine goes backward	Ridicați racleta
Motorul periei nu funcționează	Placa cu circuite de comandă e defectă	Înlocuiți placa cu circuite de comandă
	Motorul periei e în suprasarcină	Utilizați o perie mai puțin dură, potrivită pentru curățare și resetați protecția la suprasarcină a motorului
	Contactorul motorului periei e defect	Contactați service post-vânzare
	Peria de arbon a motorului e uzată	Contactați service post-vânzare
Motorul tractor nu funcționează	Peria nu se poate roti fiind blocată de obstacole	Curățați peria
	Indicatorul de avarie la motorul tractor este aprins	Vedeți "INFORMAȚII CU PRIVIRE LA INDICATORUL DE EROARE MOTOR TRACTOR"
	Motorul tractor este în suprasarcină	Resetați protecția la suprasarcină a motorului și verificați circuitul / motorul tractor
Motorul aspiratorului nu funcționează	Motorul aspirator este în suprasarcină	Resetați protecția la suprasarcină a motorului și verificați circuitul/ motorul aspirator

	Releul motorului de aspirație nu funcționează	Contactați service post-vânzare
	Panou de comandă nefuncțional	Înlocuiți panoul de comandă
Sucțiune insuficientă, podeaua nu se poate usca	Rezervorul cu apă recuperată este plin	Goliți rezervorul cu apă recuperată
	Cocexiunea dintre furtunul de drenaj și racleta nu e bine făcută	Conectați în mod adecvat furtunul de drenaj și racleta
	Flotorul filtrului este blocat	Curățați flotorul filtrului și verificați starea acestuia
	Racleta este murdara sau uzata	Verificați și curățați racleta
	Capacul rezervorului apei recuperate nu este bine închis, sau garniture s-a deteriorat, sau tubul este înfundat	Închideți bine capacul sau înlocuiți garniture și curățați tubul
	Rezervorul cu apă recuperată este murdar	Curățați rezervorul de apă recuperată
Alimentare insuficientă cu soluție la palanul periei	Filtrul de soluție este murdar	Curățați filtrul
	Indicatorul arată că rezervorul de soluție este gol	Umpleți rezervorul de soluție
	Rezervorul cu soluție este murdar	Curățați rezervorul de soluție
Mopul lasă zgârâieturi pe podea	Sunt gunoaie sub racleta	Îndepărtați gunoiul
	Racleta de aspirare este uzată, ruptă, deteriorată	Înlocuiți lamela de aspirare
	Echilibrul racletei nu este ajustat	Ajustați echilibrul racletei
Frâna motorului tractor nu funcționează	Frâna este blocată	Deblocați frâna

INFORMAȚII REFERITOARE LA INDICATORUL DE EROARE LA MOTORUL TRACTOR

CODURI LED		PROBLEMĂ	CAUZĂ POSIBILĂ
1.1	○○	PROBLEMĂ CU ÎNCĂLZIREA	1. Temperatură >80°C sau < -10°C. 2. Suprasarcină pe vehicul. 3. Funcționare în medii extreme. 4. Frâna electromagnetică n-a fost eliberată.
1.2	○○○	PROBLEMĂ CU ACCELERAȚIA	1. Cablul pedalei de accelerație este fisurat sau scurtcircuitat. 2. Cupa accelerației defectă. 3. Tip de accelerație greșit selectat.
1.3	○○○○	PROBLEMĂ CU VITEZA	1. Cablurile de limitare viteză, de la cupă sunt rupte sau scurtcircuitate. 2. Cupă limitare viteză spartă.
1.4	○○○○○	PROBLEMĂ DE VOLTAJ PEA MIC	1. Voltaj baterie <17 volți. 2. Conexiune inadecvată la baterie sau controler.
1.5	○○○○○○	PROBLEMĂ DE VOLTAJ PEA MARE	1. Voltaj baterie >31 volți. 2. Vehiculul funcționează cu încărcătorul atașat. 3. Conexiune intermitentă la baterie.
2.1	○○○	PROBLEMĂ CU DECONNECTAREA DE LA PRIZA DE PERETE	1. Contactorul principal de la tractor nu s-a deschis.
2.3	○○○○○	PROBLEMĂ CU PRIZA DE PERETE *	1. Contactorul principal s-a blocat pe deschis. 2. Contactorul principal de la tractor nu funcționează.
2.4	○○○○○○	PROBLEMĂ CU CONECTAREA LA PRIZA DE PERETE	1. Contactorul principal de la tractor este blocat pe poziția închis.
3.1	○○○○	PROBLEMĂ CU SEMNALIZĂRILE *	1. Accelerație ajustată necorespunzător. 2. Mecanismul accelerației sau cupa sparte.
3.2	○○○○○	PROBLEMĂ CU FRÂNA PUSĂ	1. Cablul de frână electromagnetică scurtcircuitat 2. Bobina frânei electromagnetice defectă.

3.3	□□□□□□□□	PROBLEMĂ CU REÎNCĂRCAREA *	1. Cablul de frână electromagnetică scurtcircuitat 2. Circuitul de preîncărcare avariat 3. Avarie MOSFET.
3.4	□□□□□□□□	PROBLEMĂ CU FRÂNA CARE NU SE CUPLEAZĂ	1. Cablul de frână electromagnetică fisurat. 2. Bobina frânei electromagnetice scurtcircuitată
3.5	□□□□□□□□□□	PROBLEMĂ HPD	1. Ordine inadecvată de asamblare accelerație și KSI, se presează sau nu se face admisia. 2. Cupa de accelerație neajustată corespunzător.
4.1	□□□□□□	PROBLEMĂ CU SENSUL CURENTULUI *	1. Scurtcircuitare motor sau cabluri. 2. Controler avariat.
4.2	□□□□□□□□	PROBLEMĂ CU NEFUNCȚIONAREA HARDWARE ÎN CONDIȚII DE SIGURANȚĂ *	1. Voltajul motorului nu este corespunzător accelerației 2. Scurtcircuitare motor sau cabluri. 3. Controler avariat.
4.3	□□□□□□□□	PROBLEMĂ CU EEPROM CHECKSUM †	1. Avarie EEPROM
4.5	□□□□□□□□□□	PROBLEMĂ CU DECONECTAREA BATERIEI *	1. Baterie neconectată 2. Conexiune proastă la bornele bateriei

* = Rulați vrăitorul cheilor pentru rezolvare

† = Este necesar un programator pentru rezolvare, astfel: selectați Program menu, modificați valoarea datelor unui parametru, Rulați vrăitorul cheilor.



NOTĂ

Mașina echipată cu încărcător incorporate nu va funcționa dacă încărcătorul este defect, vă rugăm contactați centrul nostru de mentenanță calificat pentru a vă ajuta.

DEZAFECTARE

Mașina se va dezafecta la un centru specializat de tratare a deșeurilor.

Înainte ca mașina să fie dezafectată, scoateți și dezamblați următoarele ansambluri pentru care prevederile și reglementările legale impun dezafectare în mod corespunzător.

- Baterie
- Perie/Psuport lavetă
- Furtun de plastic și piese de plastic
- Componente electrice și electronice (*)

(*) Vă rugăm contactați centrul nostru service pentru a distruge componentele electrice sau electronice.

СЪДЪРЖАНИЕ

ВЪВЕДЕНИЕ	375
СЪДЪРЖАНИЕ И ЦЕЛ НА ТОВА РЪКОВОДСТВО	375
КАК ДА СЕ СЪХРАНЯВА ТОВА РЪКОВОДСТВО	375
ДЕКЛАРАЦИЯ ЗА СЪОТВЕТСТВИЕ	375
РЕЗЕРВНИ ЧАСТИ И ПОДДРЪЖКА	375
ПРОМЕНИ И ПОДОБРЕНИЯ	375
ОБЛАСТ НА ПРИЛОЖЕНИЕ	375
ИДЕНТИФИКАЦИОННИ ДАННИ НА УРЕДА	375
РАЗОПАКОВАНЕ И ТРАНСПОРТ	375
БЕЗОПАСНОСТ	376
СИМВОЛИ, КОИТО ПРИСЪСТВАТ В УКАЗАНИЯТА ЗА УПОТРЕБА	376
ОБЩИ НАСОКИ ЗА БЕЗОПАСНОСТ	376
ОПИСАНИЕ НА УРЕДА	378
УСТРОЙСТВО НА УРЕДА	378
КОНТРОЛЕН ПАНЕЛ	379
ИНФОРМАЦИЯ ЗА LED ЕКРАНА	379
ПРОЗОРЕЦ ЗА ИНДИКАЦИЯ НА ЗАРЯДА	379
ТЕХНИЧЕСКИ ПАРАМЕТРИ	380
ЕЛЕКТРИЧЕСКА ДИАГРАМА	381
УКАЗАНИЯ ЗА РАБОТА	383
МОНТАЖ И НАСТРОЙКА НА НОВ АКУМУЛАТОР	383
МОНТАЖ НА АКУМУЛАТОРА И ИЗБОР НА НАСТРОЙКА СПРЯМО ВИДА НА АКУМУЛАТОРА (С ТЕЧНОСТ ИЛИ ГЕЛ / AGM)	383
АВАРИЙНО СПИРАНЕ	385
МОНТАЖ И ДЕМОНТАЖ НА ЧЕТКАТА/ПОЧИСТВАЩАТА ПОДЛОЖКА	385
БАЛАНСИРАНЕ НА ГУМЕННИЯ НАКРАЙНИК	386
ПЪЛНЕНЕ НА РЕЗЕРВОАРА ЗА ПОЧИСТВАЩ РАЗТВОР	386
СТАРТИРАНЕ И СТОПИРАНЕ НА МАШИНАТА	387
РАБОТА НА МАШИНАТА (ПОЧИСТВАНЕ И ПОДСУШАВАНЕ)	388
ИЗТОЧВАНЕ НА РЕЗЕРВОАРИТЕ	389
СЛЕД УПОТРЕБА НА УРЕДА	389
ПРОДЪЛЖИТЕЛЕН ПЕРИОД НА СЪХРАНЕНИЕ	389
ПЪРВО ИЗПОЛЗВАНЕ	390
ПОДДРЪЖКА	390
ТАБЛИЦАТА С ГРАФИКА ЗА ПОДДРЪЖКА	390
ЗАРЕЖДАНЕ НА АКУМУЛАТОРА	390
ПОЧИСТВАНЕ НА ЧЕТКАТА/ПОДЛОЖКАТА	391
ПОЧИСТВАНЕ НА ФИЛТЪРА ЗА РАЗТВОРА	392
ПОЧИСТВАНЕ НА ГУМЕННИЯ НАКРАЙНИК	392
ПРОВЕРКА И ПОДМЯНА НА ЧИСТАЧКИТЕ НА ГУМЕННИЯ НАКРАЙНИК	392
РЕШЕТКА НА РЕЗЕРВОАРА И ПРАХОСМУКАЧКАТА С ПОЧИСТВАНЕ НА ПОПЛАВЪКА И ПРОВЕРКА НА ГАРНИТУРАТА НА КАПАКА	393
ПРОВЕРКА/ПОДМЯНА НА БУШОНА	394
АКСЕСОАРИ/ПРИСТАВКИ	394
ИДЕНТИФИЦИРАНЕ НА ПРОБЛЕМИ	394
БРАКУВАНЕ	396

ВЪВЕДЕНИЕ



ЗАБЕЛЕЖКА

Числата в скобите се отнасят за елементите, посочени в раздел Описание на уреда.

СЪДЪРЖАНИЕ И ЦЕЛ НА ТОВА РЪКОВОДСТВО

Целта на настоящото Ръководство с указания за употреба е да предостави на оператора необходимата информация с цел правилното и безопасно използване на уреда. Съдържа информация за технически данни, безопасност, експлоатация, съхранение, поддръжка, резервни части и бракуване.

Преди извършването на каквито и да е процедури, както операторите, така и квалифицираните техници трябва да прочетат внимателно това ръководство. Свържете се с оторизиран сервизен център, ако имате някакви въпроси относно това ръководство или Ви е необходима допълнителна информация.

Операторите не трябва да извършват процедури, които изискват намесата на квалифициран персонал. Нашата компания не носи отговорност за повреди, произтичащи от неспазване на тази забрана.

КАК ДА СЕ СЪХРАНЯВА ТОВА РЪКОВОДСТВО

Ръководството трябва да се държи в близост до уреда, в подходяща опаковка далеч от течности и други вещества, които могат да го повредят.

ДЕКЛАРАЦИЯ ЗА СЪОТВЕТСТВИЕ

Декларация за съответствие се предоставя заедно с устройството и удостоверява, че уредът в съответствие с действащото законодателство.



ЗАБЕЛЕЖКА

Копията от оригинала на декларацията за съответствие се предоставят заедно с документация на уреда.

РЕЗЕРВНИ ЧАСТИ И ПОДДРЪЖКА

Всички процедури, необходими за работата, поддръжката и ремонта, трябва да се извършват от квалифициран персонал или в оторизираните сервиси. Да се използват само оригинални резервни части и аксесоари.

В случай на необходимост от ремонт или поръчка на резервни части или аксесоари, моля свържете се с нас.

ПРОМЕНИ И ПОДОБРЕНИЯ

Фирмата ни непрекъснато подобрява и обновява своите продукти. Ето защо запазваме правото си да променяме и подобряваме уредите, без да съобщаваме за това предварително.

ОБЛАСТ НА ПРИЛОЖЕНИЕ

Подочистачката е предназначена за търговски и промишлени нужди. Подходяща е за почистване на гладки и твърди подови настилки, като се използва от квалифицирани оператори в безопасна среда. Подочистачката не бива да се ползва на открито, върху килими или относително груби настилки.

ИДЕНТИФИКАЦИОННИ ДАННИ НА УРЕДА

Моделът и серийният номер на уреда са отбелязани на етикета със серийния номер.

Тази информация е важна. Използвайте следната таблица, за да запишете идентификационните данни на уреда, те ще са Ви необходими при поръчка на резервни части.

МОДЕЛ.....
СЕРИЕН НОМЕР.....

РАЗОПАКОВАНЕ И ТРАНСПОРТ

При доставката, уверете се, че опаковката и самият уред са здрави и непокътнати. Ако установите някакви щети, веднага информирайте транспортната фирма и преди да приемете доставката, възползвайте се от правото си на обезщетение.

При разопаковане на уреда, следвайте стриктно инструкциите на опаковката.

Проверете дали следните части да налични в опаковката:

1. Техническата документация, включително ръководството на потребителя, ръководството на вграденото зарядно устройство при наличие на такова.
2. Кабел за вграденото зарядно устройство при наличие на такова.

БЕЗОПАСНОСТ

Следните символи предупреждават за потенциално опасни ситуации. Прочетете тази информация внимателно и да вземете всички необходими предпазни мерки, за защита на хората и имуществото.

СИМВОЛИ, КОИТО ПРИСЪСТВАТ В УКАЗАНИЯТА ЗА УПОТРЕБА



ОПАСНО!

Отнася се за опасна ситуация, която може да причини смъртта на оператора.



ВНИМАНИЕ!

Показва потенциален риск от наранявания.



ПРЕДУПРЕЖДЕНИЕ!

Предупреждава за повишено внимание или забележка, свързана с важни или полезни функции. Обърнете внимание на абзаците, маркирани с този символ.



ЗАБЕЛЕЖКА

Съдържа специална информация, свързана с важни или полезни функции.



СЪВЕТ

Това показва необходимостта да проверите Ръководството с указания за употреба, преди да изпълните някоя процедура.

ОБЩИ НАСОКИ ЗА БЕЗОПАСНОСТ

Специфични предупреждения и предпазни мерки относно риска от евентуални наранявания за хората и щети за уреда, както е указано по-долу.



ОПАСНО!

- Този уред трябва да се използва само от обучени и упълномощени служители, съгласно напътствията в това ръководство.
- Преди провеждането на каквато и да е процедура, почистване, поддръжка, ремонт или замяна, прочетете внимателно всички инструкции, уверете се, че уредът е изключен и извадете конектора на акумулатора.
- Не работете с уреда в близост до токсични, опасни, лесно възпламеними и/или взривоопасни прахове, течности или пари. Уредът не е подходящ за събиране на опасен прах.
- Не носете бижута, когато работите в близост до електрически компоненти.
- Не работете под уреда, когато е повдигнат, освен ако не се уверите, че е добре обезопасен.
- При използване на оловни акумулатори (WET), имайте предвид, че при нормалната си употреба те могат да излъчват запалими газове. Ето защо трябва да съхраняват далеч от искри, пламъци, димящи и облъчващи вещества, осветителни тела и горящи материали.
- По време на зареждането си оловните акумулатори (WET) излъчват водороден газ, който може да причини експлозия. За зареждането осигурете проветриво пространство, далеч от открит огън.



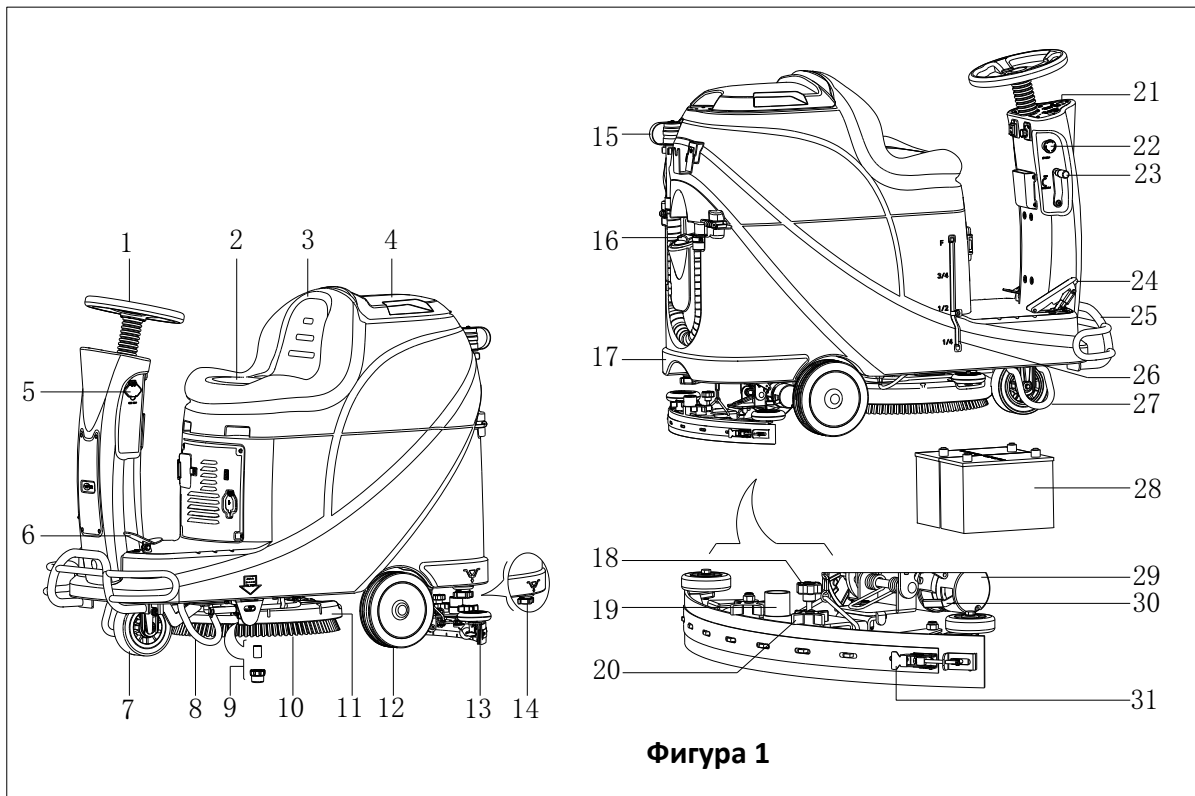
ВНИМАНИЕ!

- Проверявайте уреда внимателно преди всяка употреба. Преди да използвате уреда, уверете се, че всички компоненти са били сглобени добре. В противен случай може да се стигне до наранявания или материални щети.

- Преди да използвате зарядното устройство, уверете се, че стойностите на честота и напрежение, посочени на етикета със серийния номер на уреда, съвпадат с характеристиките на електрическата мрежа.
- Никога не местете уреда, като дърпате кабела на зарядното устройство. Не прещипвайте кабела при затваряне на врати и не го огъвайте покрай остри ъгли и ръбове. Не настъпвайте кабела на зарядното устройство със самия уред. Пазете кабела на зарядното устройство далеч от горещи повърхности. Не зареждайте батериите, ако кабелът или конекторът на зарядното устройство са повредени.
- За да намалите риска от пожар, токов удар или нараняване, се уверете, че уредът е изключена, преди да го оставите без надзор.
- Използвайте и съхранявайте устройството на закрито, в сухи помещения, употребата на открито не е разрешена.
- Както температурата за съхранение, така и работната температура трябва да бъде между 0 ° C и 40 ° C, при влажност на въздуха между 30% - 95%.
- Не използвайте уреда по повърхности под наклон, чийто градус надвишава допустимия по спецификации.
- При използване и работа с почистващи препарати за подови настилки, следвайте инструкциите на етикетите на бутилките и носете подходящи ръкавици и защитно облекло.
- Използвайте предоставените с уреда или посочените в указанията четки и подложки. Употребата на други четки или подложки може да намали безопасността.
- При поява на дефект, моля уверете се, че причината не е в липсата на поддръжка. Ако е необходимо, поискайте съдействие от упълномощени лица или оторизирани сервизни центрове.
- Вземете всички необходими мерки, за да предотвратите защипването на коса, обеци или широки дрехи в подвижните части на уреда.
- Не използвайте уреда в особено запрашени помещения.
Не мийте уреда с директна струя вода под налягане или корозивни вещества.
- Избягвайте ударите в рафтове и скелета, тъй като съществува риск от падащи предмети.
- Не се облягайте съдове с течности по уреда, използвайте поставката за чаши.
- За да избегнете повреди по настилката, не оставяйте четката / подложката да работи, докато уредът е в покой.
- В случай на пожар използвайте сух прахов пожарогасител. Не използвайте течни пожарогасители
- Не сваляйте и не променяйте стикерите на уреда.
- Не променяйте защитните приспособления на уреда и следвайте стриктно инструкциите за обща поддръжка.
- Бъдете внимателни по време на транспортиране на уреда, когато температурата е под нулата. Водата в резервоара за мръсна вода и в маркучите може да замръзне, което би причинило сериозни повреди на уреда.
- Ако е необходима подмяна на части, поръчвайте **ОРИГИНАЛНИ** резервни части от упълномощени дистрибутори или представители.
- Върнете уреда на обслужващия център, ако не работи както обикновено, или при едно от следните обстоятелства: повреда, оставяне на открито, падане във вода.
- За да гарантирате безопасната и правилна работа на уреда, осигурете извършването на планово техническо обслужване от упълномощен персонал или Сервизен център в съответствие с програмите за поддръжка в съответните раздели на ръководството.
- Уредът трябва да бъде бракуван правилно поради наличието на отровни и опасни вещества, като те трябва да бъдат изхвърлени в специални депа според съответните закони и актове (виж раздел Бракуване на уреда).
- Този уред не може да бъде използван за други цели освен като почистващо средство.
- Винаги поддържайте отворите чисти - без прах, косми и всякакви чужди тела, които биха могли да намалят притока на въздух. Не използвайте уреда, ако отворите са запушени.
- Използвайте уреда само когато е осигурено подходящо осветление
- Уредът не е предназначен за ползване от лица с ограничени физически, сетивни или умствени способности, или липса на опит и познания, освен ако те не са били наблюдавани или инструктирани относно използването на уреда от лице, отговорно за тяхната безопасност.
- Специално внимание е необходимо, когато се използва в близост до деца.
- Децата трябва да бъдат наблюдавани, за да не си играят с уреда.
- По време на използване на уреда, внимавайте да не причините щети или наранявания.

ОПИСАНИЕ НА УРЕДА

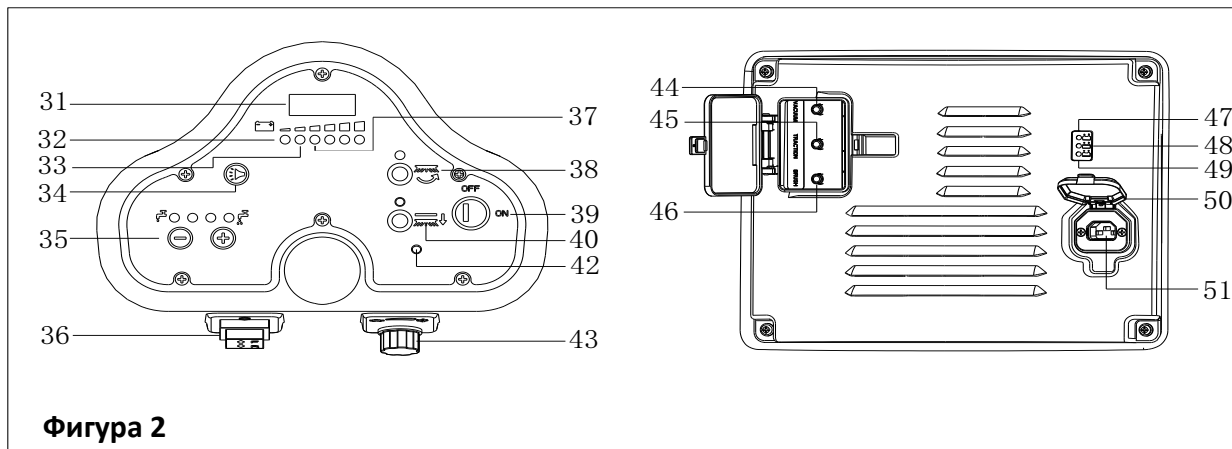
УСТРОЙСТВО НА УРЕДА (както е показано на Фигура 1)



Фигура 1

- | | |
|---|---|
| 1. Волан за управление | 17. Резервоар за почистващия разтвор |
| 2. Възглавница на седалката | 18. Лост за регулиране на гумения накрайник |
| 3. Резервоар за мръсна вода | 19. Маркуч на прахосмукачката |
| 4. Капак на резервоара за мръсна вода | 20. Лост на гумения накрайник |
| 5. USB порт за зареждане | 21. Панел за управление |
| 6. Педал | 22. Ключ за аварийно изключване |
| 7. Предно колело | 23. Лост за повдигане/наведете на гумения накрайник |
| 8. Лева поддържаща скоба | 24. Педал за ускорение |
| 9. Филтър на почистващия разтвор | 25. Предна броня |
| 10. Четка | 26. Индикатор за нивото на почистващия разтвор |
| 11. Накрайник на четката | 27. Дясна поддържаща скоба |
| 12. Задно колело | 28. Акумулатор |
| 13. Гумен накрайник | 29. Задвижващ мотор |
| 14. Изходен филтър на почистващия разтвор | 30. Скоба за блокиране на спирачките |
| 15. Маркуч за източване в канала | 31. Закопчалка на гумения накрайник |
| 16. Входен воден филтър | |

ОПИСАНИЕ НА УРЕДА КОНТРОЛЕН ПАНЕЛ (както е показано на Фигура 2)



Фигура 2

- | | |
|---|---|
| 31. LED екран | 42. Предупредителна светлина за неизправност на задвижващия мотор |
| 32. Предупредителна светлина за разреден акумулатор (Червена) | 43. Лост за регулиране на скоростта |
| 33. Предупредителна светлина за полуразреден акумулатор (Жълта) | 44. Механизъм за защита на мотора на прахосмукачката срещу прегряване |
| 34. Клаксон | 45. Механизъм за защита на задвижващия мотор срещу прегряване |
| 35. Бутон за регулиране на обема на почистващия разтвор | 46. Механизъм за защита на мотора на четката срещу прегряване |
| 36. Ключ за движение напред и назад | 47. Индикатор за напълно зареден акумулатор (Зелен) |
| 37. Индикатор за разреждане на батерията (зелен) | 48. Индикатор за полузареден акумулатор (Жълт) |
| 38. Бутон за четката | 49. Индикатор за зареждане на акумулатора (Червена) |
| 39. Ключ за стартиране | 50. Капак за конектора за зарядното устройство |
| 40. Бутон за демонтиране на четката | 51. Конектор за зарядното устройство |

ИНФОРМАЦИЯ ЗА LED ЕКРАНА

STOP– Уредът не може да се движи, четката спира да работи, но моторът на прахосмукачката може да работи (00012.3) – Машината може да работи непрекъснато в продължение на 12.3 часа

L0-(18) – Напрежението на акумулатора е под 18V

U-(25.5) – Напрежението на акумулатора 25.5V

ERR-01 – Гуменият накрайник не е вдигнат, когато машината се обръща назад

ПРОЗОРЕЦ ЗА ИНДИКАЦИЯ НА ЗАРЯДА (както е показано на Фигура 2)

1. В началната фаза на зареждане, червеният светодиод (49) на зарядното устройство обикновено свети. Това е първата фаза на зареждане.
2. След като се зарежда известно време, червеният LED индикатор (49) на зарядното устройство загасва, жълтият LED индикатор (48) светва, това е втората фаза на зареждане.
3. Когато зареждането приключи, жълтият LED индикатор (48) изгасва, зеленият (47) светва, за да покаже, че акумулаторът е напълно зареден.

ЗАБЕЛЕЖКА



Ако по време на зареждане жълтият LED индикатор (48) продължава да свети, това може да е причинено от: Акумулаторът и зарядното устройство не са съвместими, акумулаторът не е свързан правилно или изходът е окъсен.

Премигването на червения светлинен индикатор може да бъде причинено от късо съединение в зарядното устройство.

ТЕХНИЧЕСКИ ПАРАМЕТРИ

МОДЕЛ	AS530R	
Размери на опаковката (L x W x H)	mm	1470*730*1310
Височина на уреда	mm	1120
Дължина на уреда	mm	1360
Широчина на уреда (без гумения накрайник)	mm	580
Маса на машината с празни резервоари (без акумулаторите)	kg	140
Максимално общо тегло (GVW)	kg	270
Нетно тегло	kg	245
Вместимост на резервоара за почистващ разтвор	Liter	72
Вместимост на резервоара за мръсна вода	Liter	73
Мощност на прахосмукачката	Watt	400
Дебит на прахосмукачката	mm H ₂ O	1223
Изкачване (Максимално)	%	10
Диаметър на предните колела	mm	φ175
Диаметър на задните колела	mm	φ230
Ниво на шум	dB(A)	69
Вливане на почистващ разтвор/вода	литра в минута	0.84-2.0
Работна повърхност	mm	530
Широчина на гумения накрайник	mm	730
Диаметър на четката/подложката	mm	530
Мощност на мотора на четката	Watt	450
Скорост на четката	Rpm	160
Налягане на четката/подложката (Максимално)	kg	23
Мощност на задвижващия мотор	Watt	300W
Работна скорост	Km/h	5.5
Напрежение	Волта	24
Акумулатор (опционално)	Амперчаса	2X100 Амперчаса (20 часа)
Зарядно за акумулатора (опционално)	V/A	24V 10A
Размери на отделението за акумулатора (L x W x H)	mm	350*380*300
Спецификации на USB зарядното устройство	V/A	5V, 0.8A

КОМПОНЕНТИ		КОМПОНЕНТИ	
BAT	АКУМУЛАТОРИ 24В	M1	МОТОР НА ЧЕТКАТА
CH	ЗАРЯДНО УСТРОЙСТВО ЗА АКУМУЛАТОРА	M2	МОТОР НА ПРАХОСМУКАЧКАТА
EB1	ПЛАТКА НА ПАНЕЛА ЗА УПРАВЛЕНИЕ	M3	ЗАДВИЖВАЩ МОТОР
EB2	ЕЛЕКТРОННА ПЛАТКА НА USB ЗАРЯДНОТО УСТРОЙСТВО	SW1	КЛЮЧЪ ЗА АВАРИЙНО СПИРАНЕ
EB3	ЕЛЕКТРОННА ПЛАТКА ЗА ЗАДВИЖВАНЕ	SW2	КЛЮЧ ЗА СТАРТИРАНЕ
RL1	ЕЛЕКТРОНЕН КЛЮЧ НА МОТОРА НА ЧЕТКАТА		
RL2	ЕЛЕКТРОНЕН КЛЮЧ НА МОТОРА НА ПРАХОСМУКАЧКАТА	SW4	КЛЮЧ НА ПРАХОСМУКАЧКАТА
RL3	ЕЛЕКТРОНЕН КЛЮЧ НА ЗАДВИЖВАЩАТА СИСТЕМА	SW5	ОПЦИОНАЛЕН КЛЮЧ ЗА РЕЖИМИ
YV	ЕЛЕКТРОВЕНТИЛ ЗА ВОДАТА	SW6-A	ОПЦИОНАЛЕН КЛЮЧ ЗА ДВИЖЕНИЕ НАЗАД
F1	БУШОН НА ПЛАТКАТА НА ПАНЕЛА ЗА УПРАВЛЕНИЕ	SW6-B	ОПЦИОНАЛЕН КЛЮЧ ЗА ДВИЖЕНИЕ НАЗАД
F2	ПРЕКЪСВАЧ НА МОТОРА НА ЧЕТКАТА	SW7	КЛЮЧ ЗА СЕДАЛКАТА
F3	ПРЕКЪСВАЧ НА МОТОРА НА ПРАХОСМУКАЧКАТА	SQ	ПЕДАЛ ЗА ГАЗТА
F4	ПРЕКЪСВАЧ НА СИСТЕМАТА ЗА ЗАДВИЖВАНЕ	SPK	12VDC КЛАКСОН
F5	БУШОН ЗА ОСВОБОЖДАВАНЕ НА ЧЕТКАТА	VR	ПОТЕНЦИОМЕТЪР ЗА СКООСТТА
KA	СПИРАЧКА		

ВАЛЦДРАТ		ВАЛЦДРАТ	
RD1	ЧЕРВЕНО/6AWG	BN/ВК	КАФЯВО/ЧЕРНО / 20AWG
RD2	ЧЕРВЕНО/10AWG	BU1	СИНЬО/18AWG
RD3	ЧЕРВЕНО/18AWG	BU2	СИНЬО/20AWG
RD4	ЧЕРВЕНО/20AWG	BU/ВК	СИНЬО/ЧЕРНО /20 AWG
RD/ВК	ЧЕРВЕНО/ЧЕРНО / 20AWG	GN	ЗЕЛЕНО/20AWG
ВК1	ЧЕРНО/6AWG	GN/ВК	ЗЕЛЕНО/ЧЕРНО /20AWG
ВК2	ЧЕРНО/10AWG	GY	СИВО/20AWG
ВК3	ЧЕРНО/12AWG	PU	ЛИЛАВО/20AWG
ВК4	ЧЕРНО/14AWG	OR	ОРАНЖЕВ/20AWG
ВК5	ЧЕРНО/18AWG	YE	ЖЪЛТО/20AWG
BN1	КАФЯВО/14AWG	WH1	БЯЛО/12 AWG
BN2	КАФЯВО/20AWG	WH2	БЯЛО/20AWG

УКАЗАНИЯ ЗА РАБОТА



ВНИМАНИЕ!

Обърнете специално внимание на следните символи в настоящото ръководство:

- ОПАСНО!
- ВНИМАНИЕ!
- ПРЕДУПРЕЖДЕНИЕ!
- СЪВЕТ

Никога не покривайте тези символи върху уреда по каквато и да е причина, ако се повредят, подменете ги незабавно.

МОНТАЖ И НАСТРОЙКА НА НОВ АКУМУЛАТОР



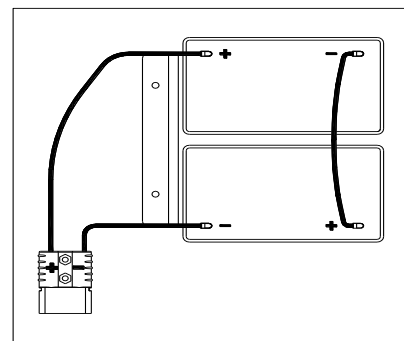
ВНИМАНИЕ!

Електрическите компоненти на уреда могат да бъде сериозно повредени, ако акумулаторите са неправилно монтирани или свързани.

Акумулаторите трябва да бъдат монтирани от квалифициран персонал. Настройте зарядното за акумулатора (опционално) и контролния модул на уреда спрямо вида на акумулатора (с течност или гел/AGM).

Проверете дали акумулаторите не са повредени, преди да ги монтирате. Изключете конектора на акумулатора и конектора на зарядното устройство.

Бъдете внимателни, докато боравите с акумулаторите.



Фигура 3



ЗАБЕЛЕЖКА

Уредът изисква акумулатори на 12V, които трябва да са свързани според указанията от Фигура 3.

Уредът може да се управлява при един от следните режими:

А) Акумулаторите с течност или гел/AGM за вече монтирани и готови за употреба.

1. Проверете акумулаторите и включете конектора на акумулатора в уреда.
2. Поставете ключа за стартиране (40) и го завъртете в позиция "включено". Ако зелената светлина (37) светне, акумулаторите са заредени, ако светне червената или жълтата светлина (33 или 32), акумулаторите трябва да се заредят.

В) Без акумулатори

1. Ако Вашият уред е снабден с акумулатори, купете подходящи такива [Вижте раздела Технически данни]. Обърнете се към квалифициран търговец на акумулатори за повече информация при избора и монтажа на акумулаторите.
2. Когато акумулаторите са готови, настройте уреда и зарядното устройство на акумулатора според типа на монтираните акумулатори и следвайте указанията в следващия раздел.

МОНТАЖ НА АКУМУЛАТОРА И ИЗБОР НА НАСТРОЙКА СПРЯМО ВИДА НА АКУМУЛАТОРА (С ТЕЧНОСТ ИЛИ ГЕЛ / AGM)

Настройте електронната платка на уреда и зарядното устройство спрямо типа на акумулаторите (с течност или гел/AGM), като следвайте стъпките:



ЗАБЕЛЕЖКА

Когато монтирате нови акумулатори, настройте DIP ключа спрямо Фигура 4, в противен случай акумулаторите могат да се повредят поради грешни настройки.

Настройка на уреда

1. Сложете ключа за стартиране (40) и завъртете в положение "ВКЛЮЧЕНО", обърнете внимание на следното в първите секунди след стартирането на уреда:
 - Ако зелената светлина (37) премигне, уредът е настроен да използва акумулатори с гел/AGM.
 - Ако премигне жълтата светлина (33), уредът е настроен да използва акумулатори Discover EV AGM.
 - Ако червената светлина (32) светне, акумулаторът е настроен да работи с акумулатори с течност.
2. За да промените настройките на уреда, следвайте стъпките, описани по-долу.

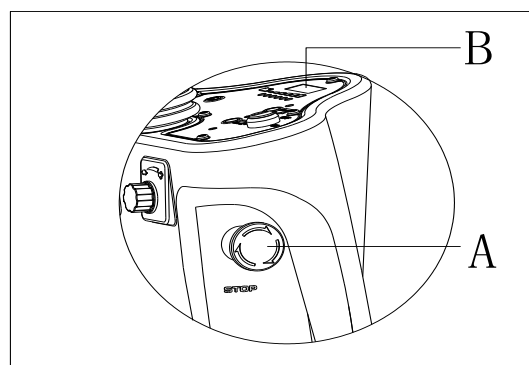
3. Уредът е настроен фабрично да използва акумулатори от типа Discover EV AGM. Ако настройката отговаря на избраните акумулатори, идете директно на стъпкаб, или следвайте следващите стъпки.
4. Развийте болта (B, Фигура 4) на панела за управление, след това обърнете контролната платка (A) на панела, за да намерите DIP ключа (D). Следвайте Фигура 4, за настройките на DIP.
5. Изпълнете стъпките в обратен ред на разглобяването, за да фиксирате панела за управление, след което завийте винта.

1		АКУМУЛАТОРИ С ТЕЧНОСТ (ЗАБЕЛЕЖКА: Завъртете пин1 и пин2 на DIP ключа в положение "ИЗКЛЮЧЕНО")
2		АКУМУЛАТОРИ DISCOVER EV AGM (ЗАБЕЛЕЖКА: Завъртете пин1 на DIP ключа в положение "ВКЛЮЧЕНО", а пин2 в положение "ИЗКЛЮЧЕНО")
3		ОБИКНОВЕНИ АКУМУЛАТОРИ С ГЕЛ/AGM (ЗАБЕЛЕЖКА: Завъртете пин1 и пин2 на DIP ключа в положение "ВКЛЮЧЕНО")

Фигура 4

Монтаж на акумулатора

6. Отворете капака на резервоара за мръсна вода (4) и се уверете, че резервоарът за мръсна вода (3) е празен; в противен случай го източете посредством маркуча за източване(15).
7. Затворете резервоара за мръсна вода (4).
8. Внимателно обърнете нагоре резервоара за мръсна вода (3).
9. Уредът се предоставя с кабели, подходящи за монтажа на 2 акумулатора по 12V. Внимателно поставете акумулаторите в отделението, след което ги наместете плтно.
10. Прекарайте и монтирайте кабела на акумулаторите, както е показано на (Фигура 3), след което внимателно стегнете гайката на всяка една от клемите.
11. Поставете предпазната капачка на всяка клема и включете конектора на акумулатора.
12. Внимателно наведете резервоара за мръсна вода (3) обратно на мястото му.



Фигура 5

Зареждане на акумулаторите

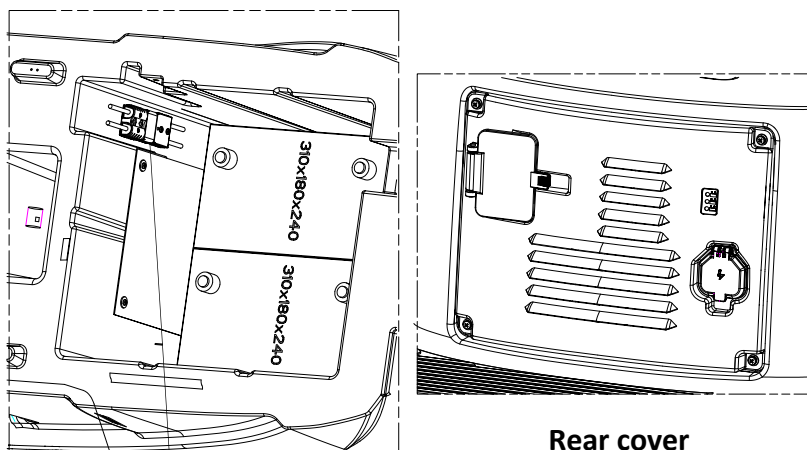
13. Зареждане на акумулаторите. [Вижте раздел ПОДДРЪЖКА].

Настройване на зарядното устройство на акумулатора (само за вградено зарядно устройство, ако е инсталирано)

Зарядно устройство на акумулатора

Зарядното устройство на акумулатора е разположено в задния капак и е свързано директно към акумулаторите. Зарядното устройство се контролира от микропроцесор и използва различни криви на зареждане, за оптимална производителност за различните видове акумулатори.

1. Разкачете кабелния съединител водещ към акумулаторите.
2. Свалете задните капаци.
3. Свалете 4-те винта (B) и свалете зарядното устройство (A).

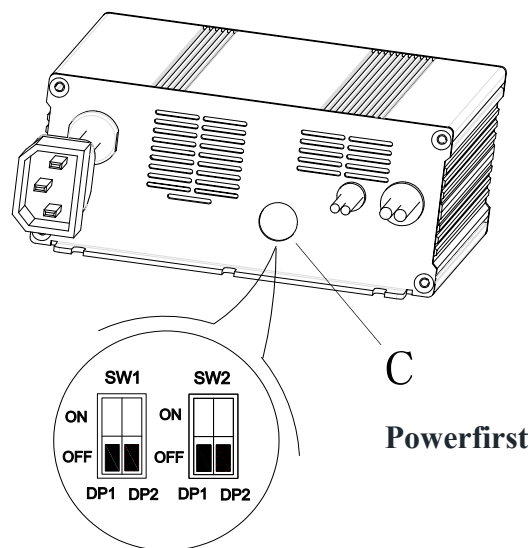
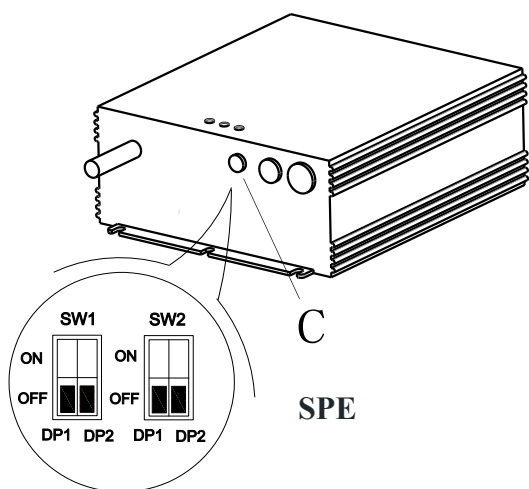
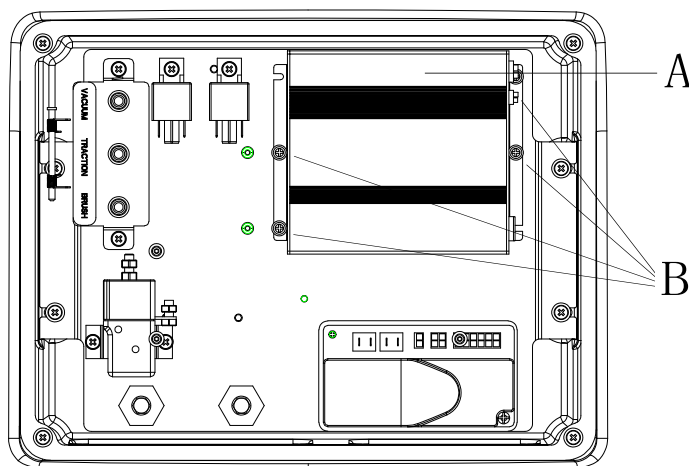


Disconnect the connector

Тип на акумулатора DIP превключватели

Функционирането на зарядното устройство се контролира от 4 dip превключвателя (2 двойки), разположени отвътре на задния капак. Втората двойка превключватели никога не трябва да се докосват, освен ако зарядното устройство е било сменено и положението им трябва да бъде потвърдено, задайте напрежението на акумулатора (24V) и максималния ампераж (10A) и то винаги трябва да е в изключено положение. Първите 2 превключвателя са достъпни през пластмасова тапа, без да се отваря зарядното устройство. Тези превключватели задават типа крива на зареждане, използван за всеки тип акумулатор. Типът на кривата означава начина и величината, при която токът и напрежението се прилагат на акумулатора по време на отделните му фази от цикъла на зареждане.

1. Махнете пластмасовата тапа, покриваща отвора за достъп на DIP превключвателя (C).
2. Настройте първите 2 DIP превключвателя (SW1) в съответствие с данните от таблицата, посочена по-долу.
3. Поставете отново пластмасовата тапа.



Curve/Battery Type	SW1		SW2	
	D1	D2	D1	D2
IUIa Wet	On	Off		
IUIa Gel Exide	Off	Off	Off	Off
IUoU AGM	Off	On		
IUIa AGM Discover	On	On		

Curve/Battery Type	SW1		SW2	
	D1	D2	D1	D2
IUIa Wet	On	Off		
IUIa Gel Exide	Off	Off	Off	Off
IUUa AGM	Off	On		
IUIa AGM Discover	On	On		

АВАРИЙНО СПИРАНЕ

Ако има аварийна ситуация докато уредът работи, натиснете аварийния ключ (A, Фигура 5). Всички функции на уреда ще спрат. Дисплеят на панела за управление ще се изключи (B, Фигура 5)

МОНТАЖ И ДЕМОНТАЖ НА ЧЕТКАТА/ПОЧИСТВАЩАТА ПОДЛОЖКА



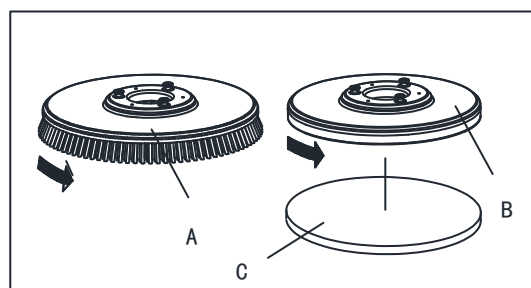
ЗАБЕЛЕЖКА

Монтирайте подходяща четка (A, Фигура 6) или подложка (B и C, Фигура 6) според вида на почишваната повърхност.



ПРЕДУПРЕЖДЕНИЕ

Преди да монтирате или демонтирате четката или почистващата подложка, уверете се, че всички ключове на уреда са в изключено положение и вдигнете гумения накрайник от пода. Операторът трябва да има подходящи защитни средства като ръкавици, за да намали риска от инциденти. Направете следното:



Фигура 6

1. Сложете ключа за стартиране (40) и завъртете в положение “ВКЛЮЧЕНО”.
2. Настъпете педала (6) напред, за да повдигнете четката (11) от пода.
3. Завъртете лоста за управление на скоростта (42) до край обратно на часовниковата стрелка.
4. Поставете четката (А, Фигура 5) или подложката (В, Фигура 5) централно, така че да се изравни с накрайника за четката.
5. Настъпете педала (6) назад, за да наведете четката (11). Седнете на седалката, натиснете бутона на четката (39) и леко настъпете педала (23), четката/подложката се настрои автоматично. Повторете стъпките, докато четката/подложката е монтирана.
6. Ако стъпка 5 от монтирането на четката/подложката не е успешно, моля наведете четката/подложката на ръка.
7. Натиснете педала (6) за да повдигнете накрайника с четката (11) от пода, натиснете бутона за демонтиране на четката (41), за да я демонтирате автоматично.

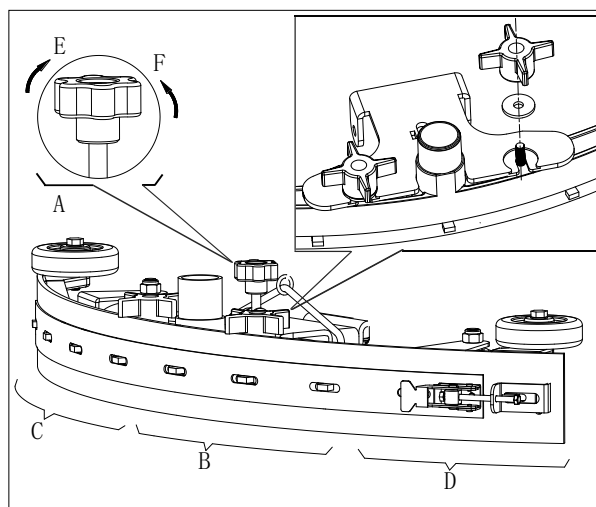


ПРЕДУПРЕЖДЕНИЕ!

Завъртете лоста за регулиране на скоростта (42) на минимална скорост, преди да настъпите педала за ускорение (6), така че да избегнете прекалено бързото движение на машината при стартиране. Преди да включите уреда, уверете се, че четката/подложката е монтирана правилно.

БАЛАНСИРАНЕ НА ГУМЕНИЯ НАКРАЙНИК

1. Монтирайте гумения накрайник (13) и завийте лоста на гумения накрайник (20), след това свържете маркуча на прахосмукачката (19) към гумения накрайник.
2. Настройте гумения накрайник посредством лоста за регулиране (А, Фигура 7).
 - а) Ако средната част на задната гума лента (В), е на разстояние от пода завъртете лоста (А) в посока обратна на часовниковата стрелка (F), докато задната лентата опре пода по цялата си дължина. Предната гума лента трябва едва да докосва пода.
 - б) Ако двата края на гумената лента, части (С и D) са на разстояние от, завъртете лоста (А) по посока на часовниковата стрелка (E), докато лентата прилепне към пода по цялата си дължина. Предната гума лента трябва едва да докосва пода.



Фигура 7

ПЪЛНЕНЕ НА РЕЗЕРВОАРА ЗА ПОЧИСТВАЩ РАЗТВОР

1. Отворете капака на отвора за водата (E, Фигура 8).
2. През отвора с филтър сипете вода или почистващ разтвор спрямо вида на почистването. Температурата на разтвора не бива да надвишава +104F (+40°C).
3. Не препълвайте резервоара. За да прецените обема на водата, проверете индикатора за ниво на водата (G).



ВНИМАНИЕ!

Използвайте само почистващи препарати, които не образуват пяна, не са леснозапалими и са подходящи за автоматични уреди за почистване.

Проверка на задвижващия мотор

1. Завъртете ключа за стартиране (А, Фигура 9) в положение “ВКЛЮЧЕНО”
2. Настъпете леко педала за ускорение (С), след това го отпуснете, за да проверите дали уредът може да се движи напред и да спира.
3. За да се подсигурите, проверете дали уредът спира незабавно след натискане на аварийния бутон (В). Завъртете аварийния бутон, за да рестартирате уреда.



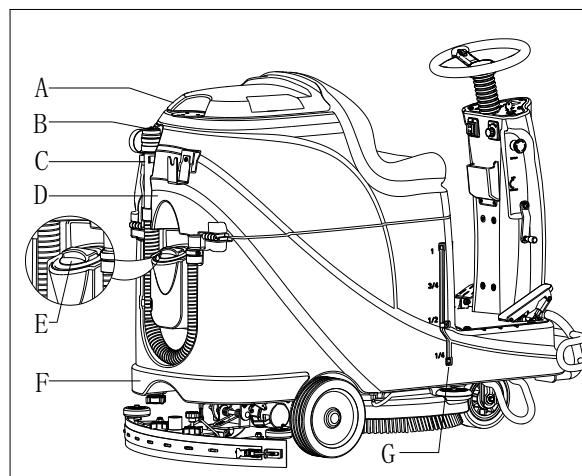
ПРЕДУПРЕЖДЕНИЕ

Наклонът, по който се движи уредът не бива да надвишава 10%.



ПРЕДУПРЕЖДЕНИЕ

Спирачката на задвижващия мотор е отпусната, когато моторът работи нормално и блокира, когато моторът спре да работи.



Фигура 8

- Отпусната спирачка - ръчка на спирачката (D, Фигура 9) сочи отгоре
- Блокирана спирачка - ръчката на спирачката сочи надолу

В определени случаи, като например опаковане / разопаковане на уреда, повреда или други, ако се наложи да преместите ръчно машината, без задвижващият мотор да работи, отпуснете спирачката ръчно.

За да избегнете риск за безопасността, не забравяйте да блокирате спирачката отново, след като преместите машината.

СТАРТИРАНЕ И СТОПИРАНЕ НА МАШИНАТА

Стартиране на машината

1. Подгответе уреда, както е описано в предходния раздел.
2. Седнете на седалката (L, Фигура 10), сложете ключа за стартиране (A) и го завъртете в положение "ВКЛЮЧЕНО". Ако зелената светлина (C) е включена, акумулаторите са напълно заредени и готови за употреба. Ако жълтата светлина (E) или червената светлина (D) свети, акумулаторите трябва да бъдат заредени, преди да започнете да ползвате уреда. [Вижте раздел ПОДДРЪЖКА за повече информация относно зареждането на акумулаторите]
3. Наведете гумения накрайник към пода.



ЗАБЕЛЕЖКА

Уверете се, че гуменият накрайник е вдигнат, преди да движите машината назад, в противен случай машината ще спре и на екрана ще се появи "Грешка".

4. Наведете накрайника на четката към пода.



ЗАБЕЛЕЖКА

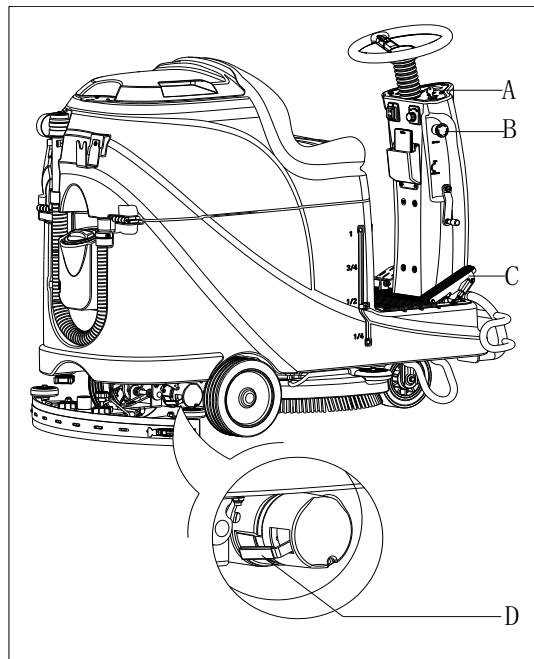
Не забравяйте да изключите бутона на четката, преди да повдигнете накрайника от пода. Повдигнете накрайника на четката, преди машината да започне да се движи напред или назад.

5. Натиснете бутона на четката (B)
6. Настъпете педала за ускорение (R), придвижвайте машината напред и назад с помощта на волана (N) и на ключа за движение напред и назад (H). Можете да регулирате скоростта чрез лоста за регулиране на скоростта (I).
7. Регулирайте потока на почистващия разтвор с бутона за регулиране на почистващия разтвор (G) според изкисванията за почистване.
8. С USB порта за зареждане (M) можете да заредите телефон или таблет, когато ключът за стартиране (A) е в положение "ВКЛЮЧЕНО".
9. Когато е необходимо, натиснете клаксона (F), за да предупредявате хората.
10. Ако е необходимо, натиснете аварийния бутон, за да спрете машината незабавно.

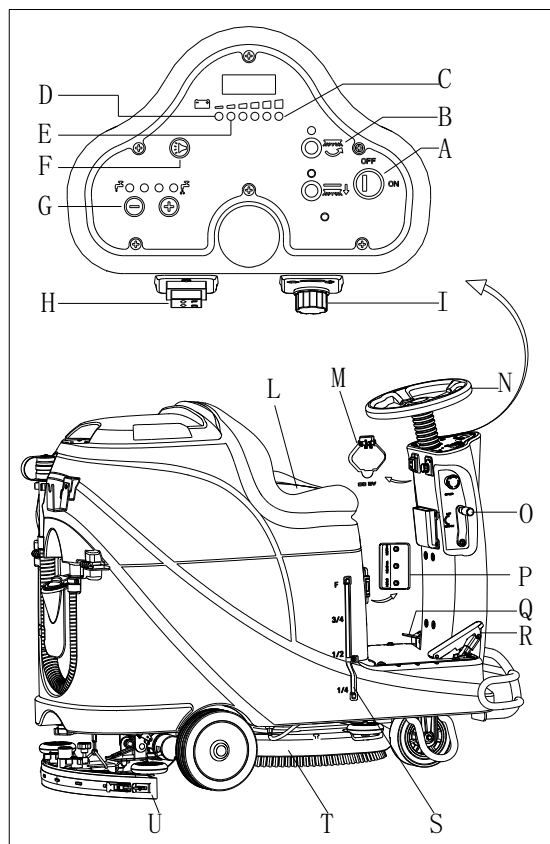


ЗАБЕЛЕЖКА

Моторът на четката, моторът на прахосмукачката и веригата за управление са защитени от механизъм против претоварване (P). Когато защитният механизъм се включи, не го освобождавайте, без да сте намерили причината за претоварването. Уверете се, че моторът се е охладил, преди да рестартирате уреда.



Фигура 9



Фигура 10

Стопирание на машината

11. Освободете педала за ускорение (R, Фигура 10), за да спрете машината да се движи.
12. Натиснете бутона на четката (B), за да изключите мотора на четката.
13. Повдигнете накрайника на четката (T), като натиснете педала (Q).
14. Повдигнете гумения накрайник (U), като използвате лоста за повдигане/навеждане на гумения накрайник (O). Няколко секунди по-късно моторът на прахосмукачката спира.
15. Завъртете ключа за стартиране в положение "ИЗКЛЮЧЕНО".
16. Уверете се, че уредът е спрял.

РАБОТА НА МАШИНАТА (ПОЧИСТВАНЕ И ПОДСУШАВАНЕ)

1. Стартирайте уреда според процедурите, описани в предходните раздели.
2. Започнете да почиствате според процедурите в раздел "Стартиране на машината".
3. Ако е необходимо, спрете машината, за да наместите гумения накрайник според указанията в раздел "Балансиране на гумения накрайник".



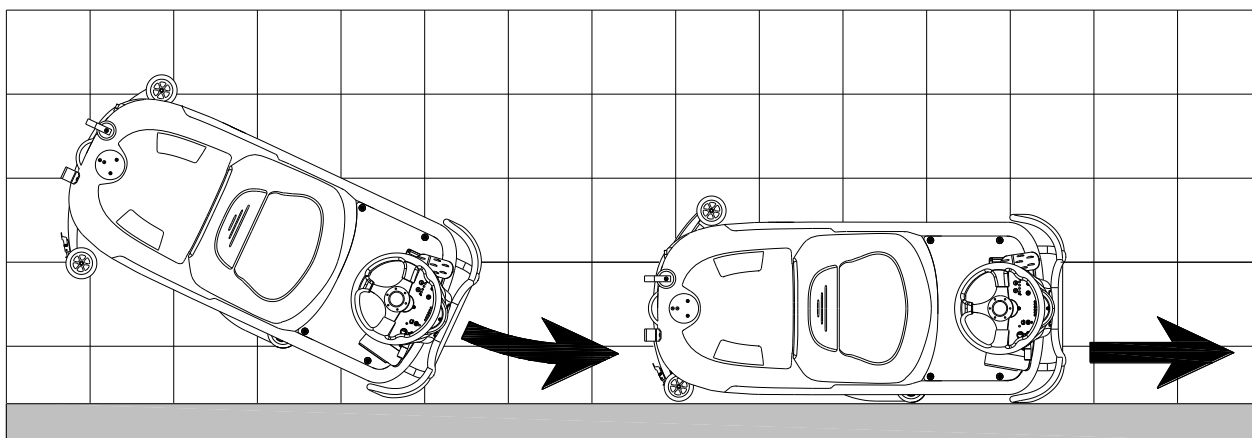
ПРЕДУПРЕЖДЕНИЕ!

За да избегнете увреждане на подовата повърхност, изключете накрайника на четката/почистващата подложка, когато машината спира на място.



ЗАБЕЛЕЖКА

За правилно почистване/подсушаване на подови повърхности около стени е препоръчително да се приближите към стената откъм дясната страна на уреда (откъм страничната броня), както е показано на Фигура 11.



Фигура 11

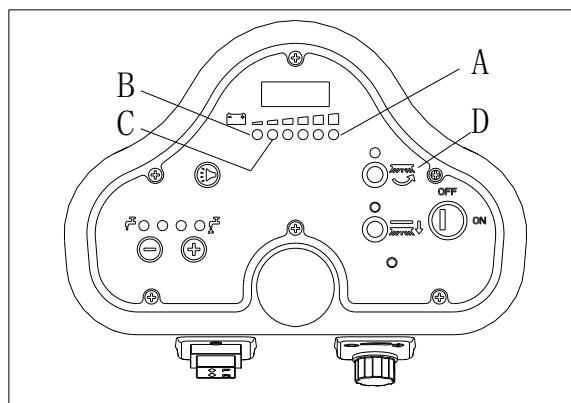
Зареждане на акумулаторите по време на работа

Когато зеленият индикатор светне (A, Фигура 12), това означава, че акумулаторите имат достатъчен заряд за нормалната работа на машината. Когато всички зелени индикатори изгаснат и светне жълт индикатор (C, Фигура 12), това означава, че зарядът на акумулаторите е недостатъчен и трябва да ги заредите. Когато премигне червеният индикатор (B, Фигура 12), това означава, че акумулаторите са напълно изтощени. Моторът на прахосмукачката и на четката ще се изключат автоматично след няколко секунди. Моля, заредете акумулаторите незабавно.



ПРЕДУПРЕЖДЕНИЕ!

За да не се повредят акумулаторите и да не се съкрати полезният им живот, не използвайте уреда, когато са напълно разредени.



Фигура 12

ИЗТОЧВАНЕ НА РЕЗЕРВОАРИТЕ

Автоматична спирателна система с поплавък (В, Фигура 13) блокира смукателната система, когато резервоарът за мръсна вода (С) е пълен. Спирането на смукателната система се сигнализира с внезапно увеличаване на шума на мотора на прахосмукачката, а подовата повърхност остава неподсушена.



ПРЕДУПРЕЖДЕНИЕ!

Ако смукателната система се изключи случайно (например, ако поплавък се задвижи при рязко движение на уреда), за да продължите работа: изключете смукателната система с натискане на ключа (D, Фигура 12), след което отворете капака (A, Фигура 11) и проверете дали поплавък в решетката (B) се е изравнил с нивото на водата. След това затворете капака (A) и включете смукателната система, като натиснете ключа (D, Фигура 12).

Когато резервоарът за мръсна вода (С, Фигура 13) се напълни, източете го, като следвате тези стъпки:

Източване на резервоара за мръсна вода

1. Изключете уреда.
2. Вдигнете платформата на четката/почистващата подложка (H, Фигура 12), като натиснете педала (G).
3. Повдигнете гумения накрайник с помощта на лоста (H).
4. Придвигнете уреда до обозначената зона за обслужване.
5. Източете резервоара за мръсна вода, като използвате маркуча (D). След това изплакнете резервоара с чиста вода.



ПРЕДУПРЕЖДЕНИЕ!

При източване на мръсната вода маркучът за източване трябва да бъде прегънат (A, Фигура 14) и поставен ниско (B, Фигура 14), преди да отворите капачката на маркуча за източване. Не обръщайте отвора на маркуча за източване нагоре, за да източите водата вертикално, така че операторът да не се изпръска.

Източване на резервоара за почистващ разтвор/чиста вода

6. Изпълнете стъпки от 1 до 4 от раздела "Източване на резервоара за мръсна вода".
7. Източете резервоара с почистващия разтвор от изходния отвор (A, Фигура 15). Изплакнете резервоара с чиста вода.

СЛЕД УПОТРЕБА НА УРЕДА

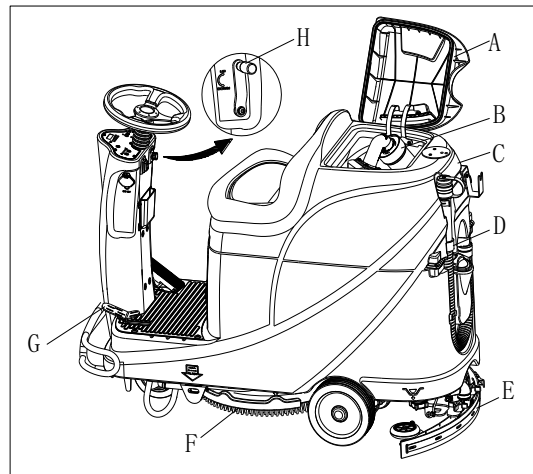
След употреба и преди да приберете уреда:

1. наведете четките / почистващите подложки.
2. Източете резервоарите (B и C, Фигура 15) според описаните в предните раздели стъпки.
3. Изпълнете ежедневната поддръжка (вижте раздел Поддръжка).
4. Приберете уреда на чисто и сухо място, като предварително вдигнете или демонтирате накрайника с четките / почистващите подложки.

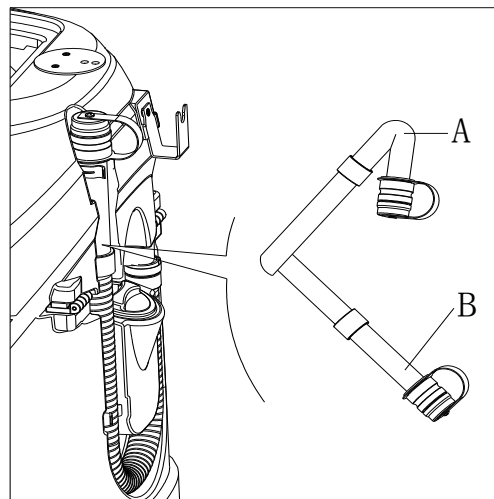
ПРОДЪЛЖИТЕЛЕН ПЕРИОД НА СЪХРАНЕНИЕ

Ако не възнамерявате да използвате уреда в продължение на повече от 30 дни, направете следното:

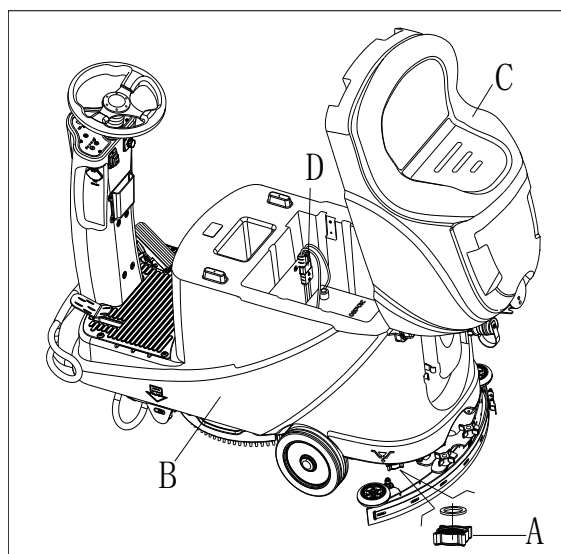
1. Изпълнете указанията от раздела "СЛЕД ИЗПОЛЗВАНЕ НА МАШИНАТА".
2. Изключете конектора на акумулатора (D, Фигура 15).



Фигура 13



Фигура 14



Фигура 15

ПЪРВО ИЗПОЛЗВАНЕ

Девет часа след първото използване на уреда проверете за повреди или нетипични условия на работа. Проверете дали скобите и свързващите елементи са стегнати добре.

ПОДДРЪЖКА



ВНИМАНИЕ!

Процедурите по поддръжка трябва да се извършват само при изключен уред и кабел на зарядното устройство. Също така, внимателно прочетете инструкциите в раздел Безопасност от това ръководство.

Всички процедури по поддръжката, независимо дали по график или извънредни, трябва да се извършват от квалифициран персонал или от упълномощен Сервизен център. Това ръководство описва само най-лесните и най-често прилагани процедури по поддръжката.

За всички останали процедури по поддръжката, които не са споменати в Таблицата с график за поддръжка, проверете в Ръководството за сервизно обслужване, което можете да получите във всеки Сервизен център.

ТАБЛИЦАТА С ГРАФИКА ЗА ПОДДРЪЖКА



ПРЕДУПРЕЖДЕНИЕ!

Процедурите, маркирани с (1) трябва да се извършват след първите 9 часа работа.
Процедурите, маркирани с (2) трябва да се извършват в оторизиран Сервизен център.

Процедура	Ежедневно непосредствено след употреба	Ежеседмично	На всеки 6 месеца	Ежегодно
Зареждане на акумулатора				
Почистване на гумения накрайник				
Почистване на четката / накрайника на подложката				
Почистване на резервоарите				
Проверка на уплътненията				
Почистване на филтъра на поплавка				
Проверка и подмяна на лентите на гумения накрайник				
Почистване на филтъра за разтвора				
Почистване на филтъра на смукателния мотор				
Проверка на нивото на течността в мокрия акумулатор				
Проверка за натягането на винтовете и гайките			(1)	
Проверка и смяна на карбоновата четка на мотора на четката / накрайника на подложката				(2)
Проверка и смяна на карбоновата четка на смукателния мотор				(2)
Проверка или подмяна на карбоновата четка на мотора на системата за задвижване (само за уреди без тягово задвижване)				(2)
Смажете въртящите се части.			(1)	

ЗАРЕЖДАНЕ НА АКУМУЛАТОРА



ЗАБЕЛЕЖКА

Моля, заредете акумулаторите, когато жълтият (32) или червеният (33) светодиод светне, както и в края на всеки работен цикъл.

**ПРЕДУПРЕЖДЕНИЕ**

Грижете се акумулаторът винаги да е напълно зареден. Така се удължава полезният му живот.

**ПРЕДУПРЕЖДЕНИЕ**

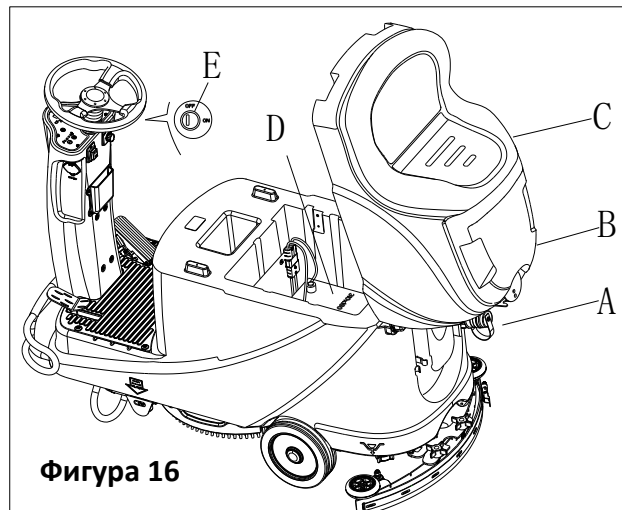
Ако акумулаторът е изтощен, заредете го възможно най-скоро, в противен случай животът му се съкращава. Препоръчително е да проверявате акумулатора поне веднъж седмично.

**ПРЕДУПРЕЖДЕНИЕ!**

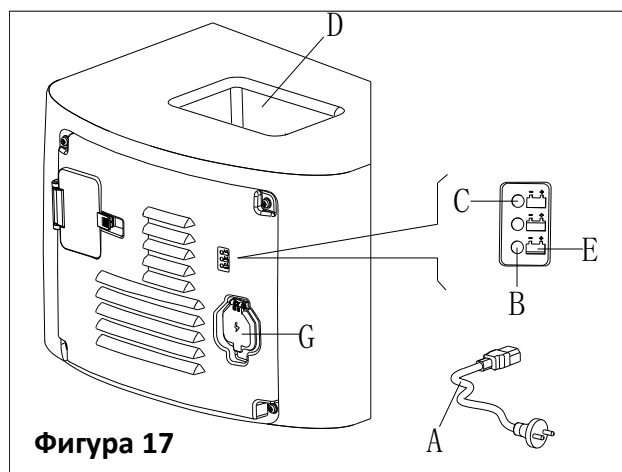
Бъдете изключително внимателни, докато акумулаторите се зареждат, тъй като може да има изтичане на киселина в процеса на зареждане. Киселината от акумулатора е корозивна, ако попадне в очите или върху кожата, веднага изплакнете обилно с вода и се консултирайте с лекар.

Подготовка за зареждане на акумулаторите:

- Отворете капака на резервоара за мръсна вода (В, Фигура 16), за да проверите дали резервоарът (С) е празен, или го източете чрез маркуча за източване (А).
- Придвижете уреда до обозначено за зареждане място.
- Завъртете ключа за стартиране в положение "ИЗКЛЮЧЕНО".
- Тази стъпка важи само за акумулатори с течност:
 - Ако е необходимо, почистете повърхността на акумулаторите.
 - Проверете нивото на електролита в акумулаторите (D). Ако е необходимо, отворете капака и допълнете с течност, след което затворете капака.
 - Оставете капака отворен по време на зареждане.
- Изберете някой от следните методи на зареждане спрямо избрания тип зарядно устройство.



Фигура 16



Фигура 17

Използвайте вграденото зарядно устройство

- Включете кабела за зарядното на акумулатора (А, Фигура 17) към електрическата мрежа (G). Всички функции на уреда, освен зареждането, спират автоматично. Червеният LED индикатор (В) показва, че уредът е в процес на зареждане.
- Акумулаторът е зареден напълно, когато светне зеленият LED индикатор (С).
- Изключете кабела за зарядното на акумулатора от електрическата мрежа, след като зареждането приключи. Приберете кабела за зареждане в кутията за съхранение (D).

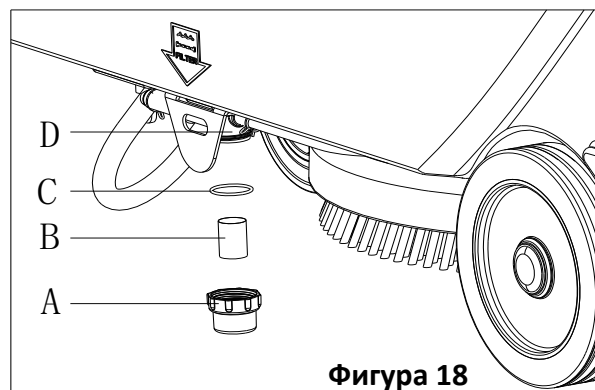
**ЗАБЕЛЕЖКА**

За повече информация относно вграденото зарядно устройство (Е, Фигура 17), проверете в съответното ръководство, което можете да получите в сервизните центрове.

ПОЧИСТВАНЕ НА ЧЕТКАТА/ПОДЛОЖКАТА**ПРЕДУПРЕЖДЕНИЕ!**

Препоръчително е да се носят защитни ръкавици при почистването на четката или накрайника с подложката, защото по тях може да има остри предмети.

- наведете четката/накрайника с подложката, както е описано в предните раздели.
- Изперете четката/накрайника с подложката, като използвате вода и препарат.



Фигура 18

3. Проверете дали влакната на четката са износени и ако необходимо я подменете.
4. Проверете дали полиращата подложка е износена и ако е необходимо я подменете.

ПОЧИСТВАНЕ НА ФИЛТЪРА ЗА РАЗТВОРА

1. Придвижете уреда до равна повърхност.
2. Уверете се, че уредът е изключен.
3. Източете резервоара за прочистващия разтвор (опционална стъпка).
4. Свалете капака на филтъра за разтвора (А, Фигура 18), за да почистите повърхността на филтъра (В), след което го поставете отново в рамката (D).



ЗАБЕЛЕЖКА

Повърхността на филтъра (В) трябва да бъде поставена коректно в кожуха на рамката (D).

ПОЧИСТВАНЕ НА ГУМЕНИЯ НАКРАЙНИК



ЗАБЕЛЕЖКА

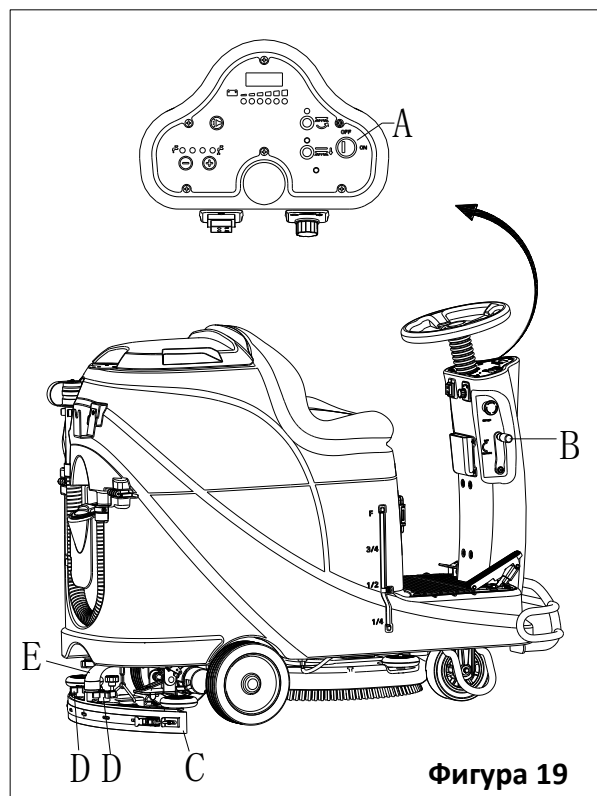
За постигане на добро подсушаване гуменият накрайник трябва да бъде чист, а чистачките в добро състояние.



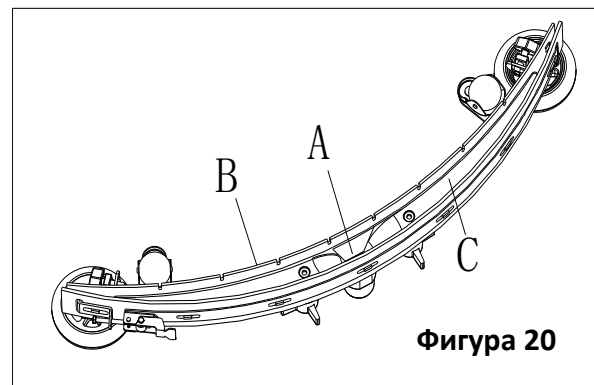
ПРЕДУПРЕЖДЕНИЕ

При почистване на гумения накрайник е препоръчително използването на защитни ръкавици, тъй като може да има остри отпадъци.

1. Придвижете уреда до равна повърхност.
2. Завъртете ключа за стартиране (А, Фигура 19) в положение "ИЗКЛЮЧЕНО".
3. Наведете гумения накрайник (В) с лоста (С).
4. Освободете лостовите (D) и свалете гумения накрайник.
5. Свалете маркуча на прахосмукачката (Е) от гумения накрайник.
6. Почистете стоманата или алуминия на гумения накрайник, по-конкретно в отделенията (А, Фигура 20) и отворите (В). Проверете дали предната (В) и задната (С) чистачка са цели или имат цепнатини и разкъсвания. Подменете чистачките според указанията в следващия раздел.
7. Монтирайте отново гумения накрайник, като изпълнявате стъпките за демонтаж в обратен ред.



Фигура 19



Фигура 20

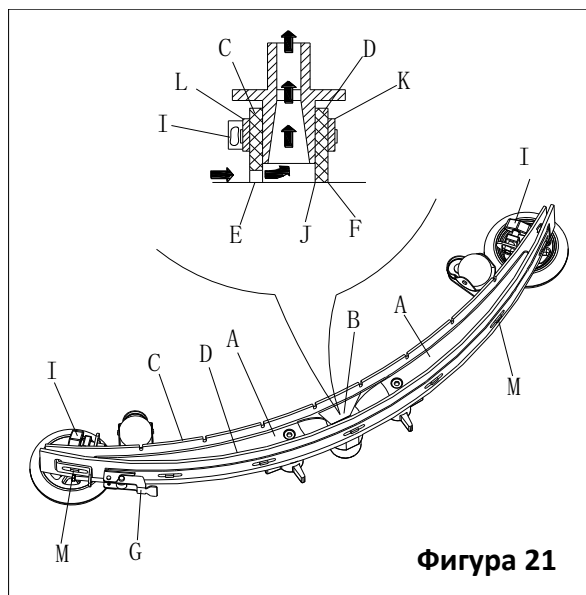
ПРОВЕРКА И ПОДМЯНА НА ЧИСТАЧКИТЕ НА ГУМЕНИЯ НАКРАЙНИК

1. Почистете металната или алуминиева чистачка, както е показано в предния раздел.
2. Проверете дали ръбовете (Е, Фигура 21) на предната чистачка (С) и ръбовете (F) на задната чистачка (D) са подравнени по цялата си дължина; при необходимост регулирайте височината им по следния начин:
 - наведете обтегача (G), освободете скобите (M) и наместете задната чистачка (D), след което затворете закопчалите (M) и поставете обратно обтегача (G).
 - Разхлабете бутоните (I) и регулирайте предната чистачка (C), след което стегнете бутоните.
3. Проверете дали предната (C) и задната (D) чистачка са износени, напукани или разкъсани; при необходимост ги подменете, като следвайте инструкциите по-долу. Проверете дали предният ъгъл (J) на задната чистачка (D) е износен; ако е необходимо, обърнете чистачката, за да подмените износения ъгъл със здрав. Ако и другите ъгли са износени, подменете чистачката по следния начин:
 - наведете обтегача (G), освободете скобите (M) и махнете фиксиращата планка (K). След това сменете/обърнете задната чистачка (D). Сглабянето на чистачката става в обратен ред на разглабянето.
 - Развийте бутоните (I) и махнете фиксиращата планка (L), а след това подменете предната чистачка (C). Сглабянето на чистачката става в обратен ред на разглабянето. След подмяната (или обръщането) на чистачката, регулирайте височината, както е описано в предната стъпка.
4. Монтирайте смукателния маркуч (А, Фигура 22) на гумения накрайник.

5. Монтирайте гумения накрайник (В) и завийте бутоните (С).
6. При необходимост регулирайте височината на гумения накрайник посредством лоста за балансиране (D).

РЕШЕТКА НА РЕЗЕРВОАРА И ПРАХОСМУКАЧКАТА С ПОЧИСТВАНЕ НА ПОПЛАВЪКА И ПРОВЕРКА НА ГАРНИТУРАТА НА КАПАКА

1. Придвигнете уреда до равна повърхност.
2. Уверете се, че уредът е изключен, а ключът за запалване (40) е изваден.
3. Завъртете капака на резервоара за мръсна вода (А, Фигура 23) на 90 градуса, така че да може да се отдели от резервоара. Извадете филтъра на поплавка (Р) от резервоара.
4. Почистете капака на резервоара за мръсна вода (А), резервоара за мръсна вода (В), резервоара за чиста вода (С) и решетката на филтъра на поплавка (Е). Източете резервоара за мръсна вода от маркуча за източване (15).
5. Ако е необходимо, следвайте символите "OPEN" (ОТВОРЕНО) и "CLOSE" (ЗАТВОРЕНО), както е показано в Фигура 23, за да отворите долния капак (F) на филтъра на поплавка и след това почистете поплавка (D), решетката на филтъра (E) и гъбата на филтъра (I). След почистване, фиксирайте поплавка (D) върху решетката (E) и подравнете с маркировката (L) на решетката на филтъра на поплавка (E). Затегнете здраво долната капачка на филтъра на поплавка и фиксирайте гъбата на филтъра (I) върху решетката (E). Накрая монтирайте смукателния маркуч (M).
6. Проверете състоянието на уплътнението на резервоара.



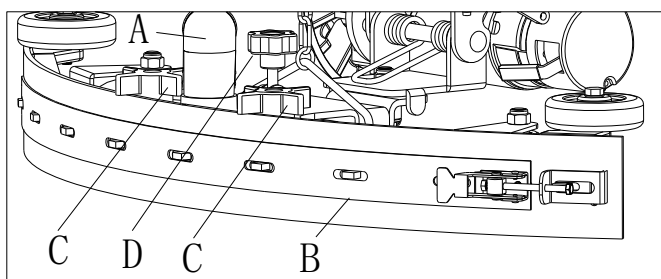
Фигура 21



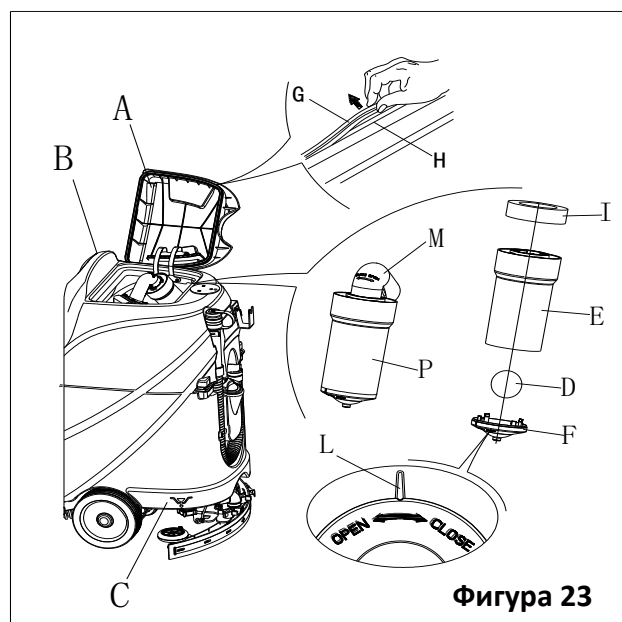
ЗАБЕЛЕЖКА

Уплътнението на резервоара (G) създава вакуум в резервоара, когато смукателният мотор работи. Резервоарът трябва да е напълно уплътнен, за да може ефективно да всмуква отработената вода от пода и да я отвежда в резервоара за мръсна вода.

7. Проверете дали контактната повърхност на уплътнението (G) е непокътната и уплътнява добре. Ако е необходимо, извадете уплътнението от канала (H) и го подменете. Както е показано на Фигура 23, поставете ново уплътнение, фугата трябва да е в средата.
8. Затворете капака на резервоара за мръсна вода (А).



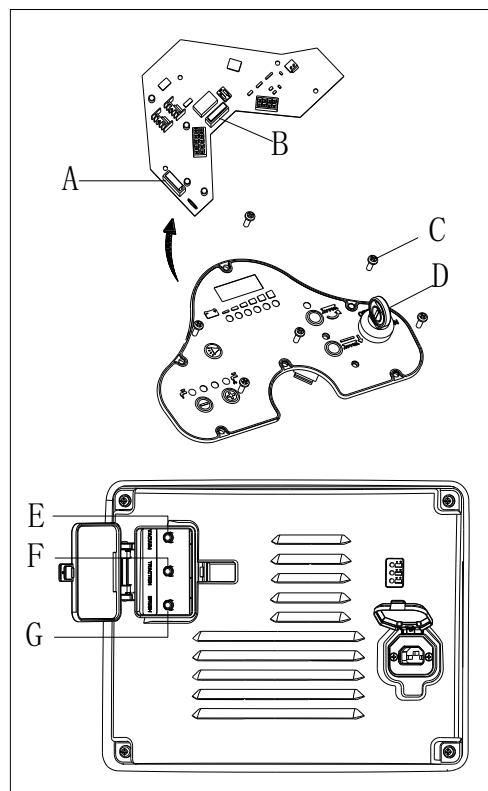
Фигура 22



Фигура 23

ПРОВЕРКА/ПОДМЯНА НА БУШОНА

1. Завъртете ключа за стартиране (D, Фигура 24) в положение “ИЗКЛЮЧЕНО”.
2. Изключете кабела на акумулатора.
3. Развийте винтовете (C) на панела за управление и обърнете контролната платка, за да намерите бушоните (A и B).
4. Проверете/сменете бушоните.
 - A) F1 е бушонът за ниска консумация (5A)
 - B) F3 е бушонът за четката (20A)
5. След като проверите/подмените бушоните, сглобете в обратен на демонтажа ред.
6. Проверете или нулирайте устройството за защита от претоварване на двигателя.
 - E) F5 е защитното устройство на мотора на прахосмукачката (30A)
 - F) F4 е защитното устройство на мотора на задвижващия мотор (30A)
 - G) F2 е защитното устройство на мотора на четката (30A)



Фигура 24

АКСЕСОАРИ/ПРИСТАВКИ

В допълнение към стандартните компоненти, уредът може да бъде оборудван със следните аксесоари/приставки според конкретната употреба.

За допълнителна информация относно посочените по-горе допълнителни аксесоари, свържете се с оторизиран търговец на дребно.

Аксесоари/Пристиавки

Вижте раздела “Списък с части”

1. Акумулатори с GEL/AGM.
2. Почистващи подложки от различни материали

ИДЕНТИФИЦИРАНЕ НА ПРОБЛЕМИ

Проблем	Вероятна причина	Разрешение
Моторите не работят. Предупредителните индикатори не светят (C9)	Конекторът на акумулатора е изключен	Включете конектора на акумулатора
	Акумулаторите са напълно разредени	Заредете акумулаторите
Машината не работи, червената предупредителна светлина за акумулатора свети (C8)	Зарядът на акумулаторите е нисък	Заредете акумулаторите
Машината не се движи напред и назад	Повредена платка на контролния модул	Подменете платката на контролния модул
	Повреден контролер на задвижващия мотор	Вижте “ИНФОРМАЦИЯ ЗА ГРЕШКИ НА МОТОРА ЗА ЗАДВИЖВАНЕ”
	Операторът не е заел мястото си на седалката	Заемете мястото си на седалката
	Гуменият накрайник не е вдигнат, докато машината се движи назад	Подвикнете гумения накрайник
Моторът на четката не работи	Повредена платка на контролния модул	Подменете платката на контролния модул
	Моторът на четката е претоварен	Използвайте подходяща за чистене четка с меки влакна. Рестартирайте защитното устройство на мотора на четката.

	Повреден контактор на мотора на четката	Свържете се със сервиза
	Износване на карбоновата четка на мотора на четката	Свържете се със сервиза
	Четката не може да се върти, защото е блокирана от отпадъци	Почистете четката
Задвижващият мотор не работи	Предупредителната светлина на задвижващия мотор свети	Вижте "ИНФОРМАЦИЯ ЗА ГРЕШКИ НА МОТОРА ЗА ЗАДВИЖВАНЕ"
	Задвижващият мотор е претоварен	Рестартирайте защитното устройство на задвижващия мотор и проверете мотора/веригата
Моторът на прахосмукачката не работи	Моторът на прахосмукачката е претоварен	Рестартирайте защитното устройство на задвижващия мотор и проверете мотора
	Повредено реле на мотора на прахосмукачката	Свържете се със сервиза
	Повреда на контролния модул	Сменете контролния модул
Недостатъчна смукателна способност, подът не може да бъде подсушен	Резервоарът за мръсна вода е пълен	Източете резервоара за мръсна вода
	Слаба връзка между маркуча за източване и гумения накрайник	Свържете правилно маркуча за източване и гумения накрайник
	Блокиран поплавък на филтъра	Почистете филтъра с поплавъка и проверете местоположението на поплавъка
	Гуменият накрайник е мръсен или износен	Проверете и почистете гумения накрайник
	Капакът на резервоара за мръсна вода не е затворен добре, уплътнението е износено или извитата тръба е запушена	Затворете капака правилно, сменете уплътнението или почистете извитата тръба
	Резервоарът за мръсна вода е мръсен	Почистете резервоара за мръсна вода
Четката не получава достатъчно почистващ разтвор	Филтъра на почистващия разтвор е мръсен	Почистете филтъра
	Индикаторът за празен резервоар с почистващ разтвор е празен	Напълнете резервоара с почистващ разтвор
	Резервоарът за почистващия разтвор е твърде мръсен	Почистете резервоара с почистващ разтвор
Гуменият накрайник оставя следи по пода	Под чистачките на гумения накрайник има отпадъци	Премахнете отпадъците
	Гуменият накрайник е стар, напукан и износен	Сменете гумения накрайник
	Балансът на гумения накрайник не е регулиран	Регулирайте баланса на гумения накрайник
Спирачката на задвижващия мотор не работи	Спирачката е блокирана	Освободете спирачката

ИНФОРМАЦИЯ ЗА ГРЕШКИ НА МОТОРА ЗА ЗАДВИЖВАНЕ

LED КОДОВЕ		ПРОБЛЕМ	ВЪЗМОЖНА ПРИЧИНА
1,1	○○	ТЕРМИЧНА ПОВРЕДА	<ol style="list-style-type: none"> 1. Температура >80°C или < -10°C. 2. Машината е претоварена. 3. Работи в тежки условия. 4. Електромагнитната спирачка не се освобождава.
1,2	○○○	ПОВРЕДА НА ЗАДВИЖВАНЕТО	<ol style="list-style-type: none"> 1. Кабелът за задвижването е скъсан или окъсен. 2. Кутията за задвижване е дефектна. 3. Избран е неправилен тип на задвижване.

1,3	□□□□	ПОВРЕДА НА СКОРОСТНАТА КУТИЯ	1. Кабелът за ограничение на скоростта е скъсан или окъсен. 2. Развален модул за ограничение на скоростта.
1,4	□□□□□	ПОВРЕДА ПОРАДИ НИСКО НАПРЕЖЕНИЕ	1. Напрежение на акумулаторите <17 v. 2. Повредена връзка при акумулатора или контролера.
1,5	□□□□□□	ПОВРЕДА ПОРАДИ ПРЕНАПРЕЖЕНИЕ	1. Напрежение на акумулаторите >31 v. 2. Машината работи, докато зарядното устройство е включено. 3. Непостоянна връзка с акумулаторите.
2,1	□□□	ПОВРЕДА В ЗАХРАНВАНЕТО	1. Главният контактор е отворен.
2,3	□□□□□	ЕЛЕКТРИЧЕСКА ПОВРЕДА *	1. Главният контактор е блокиран. 2. Повреда на главния контактор.
2,4	□□□□□□	ПОВРЕДА В ЗАХРАНВАНЕТО	1. Главният контактор е затворен.
3,1	□□□□	КАБЕЛНА ПОВРЕДА *	1. Лоша настройка на задвижването. 2. Развален задвижващ модул или механизъм.
3,2	□□□□□	АКТИВИРАНА СПИРАЧКА	1. Електромагнитната спирачка е окъсена. 2. Бобината на електромагнитната спирачка е отворена.
3,3	□□□□□□	ПОВРЕДА ПРИ ПРЕДЗАРЕЖДАНЕ *	1. Спирачката е окъсена. 2. Модулът за предзареждане е повреден. 3. Повреда на MOSFET
3,4	□□□□□□□	ДЕАКТИВИРАНА СПИРАЧКА	1. Електромагнитната спирачка е отворена. 2. Бобината на електромагнитната спирачка е окъсена.
3,5	□□□□□□□□	ПОВРЕДА НА НРД	1. Неправилна поредица на задвижване и KSI, импулси или потискане на импулси. 2. Неправилна настройка на задвижващия модул.
4,1	□□□□□	ПОВРЕДА В ИНТЕНЗИТЕТА НА ТОКА *	1. Късо съединение на мотора или окабеляването на мотора. 2. Повреда на контролера.
4,2	□□□□□□	ХАРДУЕРЕН ПРЕДПАЗИТЕЛ *	1. Напрежението на мотора не отговаря на задвижването. 2. Късо съединение на мотора или окабеляването на мотора. 3. Повреда на контролера.
4,3	□□□□□□□	ПОВРЕДА В ПРОВЕРКАТА НА EEPROM †	1. Повреда или неизправност на EEPROM.
4,5	□□□□□□□□□	ПОВРЕДА ПРИ ИЗКЛЮЧВАНЕ НА АКУМУЛАТОРА *	1. Акумулаторът не е включен 2. Слаба връзка към терминалите на акумулатора

* = Трябва да включвате ключовете за изчистване.

† = Трябва да използвате програма, за да изчистите, както следва: изберете програмното меню, променете стойността на данните на всеки параметър, включвайте ключовете циклично.



ЗАБЕЛЕЖКА

Уредът, който разполага с вградено зарядно устройство не може да работи, когато вграденото зарядно устройство е развалено. Моля, обърнете се за помощ към оторизиран център за обслужване.

БРАКУВАНЕ

Уредът трябва да бъде унищожен от институция за третиране на отпадъци.

Преди да скрапирате уреда, отстранете и отделете следните материали, които трябва да се изхвърлят в съответствие с действащото законодателство:

- Акумулатор
- Четка/Накрайник с подложка
- Пластмасови маркучи и елементи
- Електрически и електронни компоненти (*)

(*) Моля, свържете се с наш сервизен център, за да предадете електрическите и електронни компоненти за унищожаване.

ТАБЛИЦА СОДЕРЖАНИЯ

ВВЕДЕНИЕ	397
СОДЕРЖАНИЕ ИНСТРУКЦИИ И ЦЕЛЬ	397
КАК ХРАНИТЬ ДАННУЮ ИНСТРУКЦИЮ	397
ДЕКЛАРАЦИЯ СООТВЕТСТВИЯ	397
АКСЕССУАРЫ И ОБСЛУЖИВАНИЕ	397
ИЗМЕНЕНИЕ И УЛУЧШЕНИЕ	397
СФЕРА ПРИМЕНЕНИЯ	397
ИДЕНТИФИКАЦИОННЫЕ ДАННЫЕ МАШИНЫ	397
ТРАНСПОРТИРОВКА И РАСПАКОВКА	397
БЕЗОПАСНОСТЬ	398
СИМВОЛЫ, ИСПОЛЬЗУЕМЫЕ В ИНСТРУКЦИИ ПО ЭКСПЛУАТАЦИИ	398
ОБЩИЕ ИНСТРУКЦИИ ПО БЕЗОПАСНОСТИ	398
ОПИСАНИЕ МАШИНЫ	400
ЭЛЕМЕНТЫ МАШИНЫ	400
ПАНЕЛЬ УПРАВЛЕНИЯ	401
СВЕТОДИОДНЫЙ ЭКРАН ОТОБРАЖЕНИЯ ИНФОРМАЦИИ	401
ОКНО ПРОСМОТРА СВЕТОВОГО ИНДИКАТОРА ЗАРЯДНОГО УСТРОЙСТВА	401
ТЕХНИЧЕСКИЕ ПАРАМЕТРЫ	402
ЭЛЕКТРИЧЕСКАЯ СХЕМА	403
РУКОВОДСТВО ПО ЭКСПЛУАТАЦИИ	405
УСТАНОВКА И НАСТРОЙКА НОВОЙ БАТАРЕИ МАШИНЫ	405
УСТАНОВКА БАТАРЕИ И ТИПОВАЯ НАСТРОЙКА БАТАРЕИ (КИСЛОТНЫЕ ИЛИ ГЕЛЕВАЯ / AGM)	405
ЭКСТРЕННОЕ ТОРМОЖЕНИЕ	407
УСТАНОВКА И СНЯТИЕ ЩЕТКИ/ПЭДА	407
РЕГУЛИРОВКА УГЛА СКРЕБКА	408
НАПОЛНЕНИЕ БАКА МОЮЩЕГО СРЕДСТВА	408
ОСТАНОВКА И ЗАПУСК МАШИНЫ	409
РАБОТА МАШИНЫ (ЧИСТКА И СУШКА)	410
СЛИВ ВОДЫ.....	411
ПОСЛЕ ИСПОЛЬЗОВАНИЯ МАШИНЫ	411
ДОЛГИЙ ПРОСТОЙ МАШИНЫ	411
ИСПОЛЬЗОВАНИЕ В ПЕРВЫЙ РАЗ	412
ОБСЛУЖИВАНИЕ	412
ТАБЛИЦА ПЛАНОВОГО ТЕХНИЧЕСКОГО ОБСЛУЖИВАНИЯ	412
ЗАРЯДКА БАТАРЕЙ.....	412
ОЧИСТКА ЩЕТКИ/ПЭДА	413
ОЧИСТКА ФИЛЬТРА МОЮЩЕГО СРЕДСТВА	414
ОЧИСТКА ЛЕЗВИЙ СКРЕБКА	414
ПРОВЕРКА И ЗАМЕНА ЛЕЗВИЙ СКРЕБКА	414
ОЧИСТКА БАКА, ПОПЛАВКОВОЙ КАМЕРЫ И ПРОВЕРКА УПЛОТНИТЕЛЬНОЙ КРЫШКИ	415
ПРОВЕРКА/ЗАМЕНА ПЛАВКОГО ПРЕДОХРАНИТЕЛЯ	416
ПРИНАДЛЕЖНОСТИ/ДОПОЛНИТЕЛЬНОЕ ОБОРУДОВАНИЕ	416
УСТРАНЕНИЕ НЕПОЛАДОК	416
УТИЛИЗАЦИЯ	418

ВВЕДЕНИЕ



ПРИМЕЧАНИЕ

Цифры в скобках относятся к компонентам машины в главе «Описание машины».

СОДЕРЖАНИЕ ИНСТРУКЦИИ И ЦЕЛЬ

Целью данной Инструкции по применению является предоставление оператору необходимой информации для использования машины правильно и безопасно. Она содержит информацию о технических данных, безопасности, эксплуатации, хранении, техническом обслуживании, запасных частей и утилизации.

Перед выполнением любой процедуры на машине, операторы и квалифицированные специалисты должны внимательно прочитать данное руководство. Обратитесь в наш центр обслуживания компании при любых вопросах о данном руководстве или за любой необходимой дополнительной информацией.

Операторы не должны выполнять процедуры, которые должны осуществляться квалифицированными специалистами. Наша компания не будет нести ответственность за ущерб, причиненный вследствие несоблюдения данного запрета.

КАК ХРАНИТЬ ДАННУЮ ИНСТРУКЦИЮ

Инструкция должна храниться рядом с машиной, в пригодном месте, подальше от жидкостей и других веществ, которые могут вызвать какие-либо повреждения.

ДЕКЛАРАЦИЯ СООТВЕТСТВИЯ

Декларация соответствия предоставляется вместе с машиной и удостоверяет соответствие машины действующему законодательству.



ПРИМЕЧАНИЕ

Копии оригинала Декларации соответствия предоставляются вместе с документацией машины.

АКСЕССУАРЫ И ОБСЛУЖИВАНИЕ

Эксплуатация, техническое обслуживание и ремонт должны выполняться квалифицированным персоналом, или Авторизованным сервисным центром нашей компании. Следует использовать только оригинальные запчасти и аксессуары.

Для сервисного обслуживания, покупки аксессуаров или запасных частей обращайтесь в офисы нашей компании или к нашим Партнерам.

ИЗМЕНЕНИЕ И УЛУЧШЕНИЕ

Мы стремимся к постоянному совершенствованию своей продукции, компания оставляет за собой право на изменения и улучшения машины без дополнительного информирования.

СФЕРА ПРИМЕНЕНИЯ

Поломоечная машина относится к оборудованию для коммерческого или промышленного применения. Она подходит для очистки гладкого и сплошного покрытия, выполняемой квалифицированным персоналом в безопасных условиях. Она не подходит для использования вне помещений или очистки ковров или негладких поверхностей пола.

ИДЕНТИФИКАЦИОННЫЕ ДАННЫЕ МАШИНЫ

Серийный номер и название модели машины обозначены на серийной табличке (шильдике).

Заполните, расположенную ниже таблицу для идентификации Вашей машины, когда потребуется приобрести для нее запасные части.

МОДЕЛЬ МАШИНЫ.....
СЕРИЙНЫЙ НОМЕР МАШИНЫ.....

ТРАНСПОРТИРОВКА И РАСПАКОВКА

При приемке машины, убедитесь, что она и ее упаковка целые и без повреждений. Если есть какие-либо повреждения, укажите перевозчику на них. Прежде чем принять товар, вы оставляете за собой право на компенсацию ущерба.

Строго следуйте инструкциям на упаковке при распаковке машины.

Проверьте упаковку на наличие следующих предметов:

1. Техническая документация, включающая руководство пользователя, а также руководство бортового зарядного устройства, если присутствует бортовое зарядное устройство.
2. Кабель зарядного устройства, если бортовое зарядное устройство присутствует.

БЕЗОПАСНОСТЬ

Следующие символы обозначают потенциальные опасности. Всегда внимательно читайте эту информацию и принимайте все необходимые меры предосторожности для защиты людей и имущества.

СИМВОЛЫ, ИСПОЛЬЗУЕМЫЕ В ИНСТРУКЦИИ ПО ЭКСПЛУАТАЦИИ



ОПАСНОСТЬ!

Указание на опасность с риском смерти для оператора.



ПРЕДУПРЕЖДЕНИЕ!

Указание на потенциальную опасность получения травмы для людей.



ВНИМАНИЕ!

Указание на внимание или замечание, связанное с важными или полезными функциями.

Обратите внимание на пункты, обозначенные этим символом.



ПРИМЕЧАНИЕ

Указание на замечание, связанное с важными или полезными функциями.



КОНСУЛЬТАЦИЯ

Указание на необходимость обратиться к Инструкции по эксплуатации перед выполнением любой операции.

ОБЩИЕ ИНСТРУКЦИИ ПО БЕЗОПАСНОСТИ

Предупреждения и предостережения о потенциальных повреждениях людям и машине показаны ниже.



ОПАСНОСТЬ!

- Данная машина должна эксплуатироваться обученным и уполномоченным персоналом в соответствии с Руководством по эксплуатации.
- Перед выполнением любой рабочей операции, регламентного обслуживания и ремонта внимательно прочитайте все инструкции, чтобы быть уверенным в выключении машины и отсоединении разъема батареи.
- Не используйте машину вблизи токсичных, опасных, горючих и/или взрывоопасных порошков, жидкостей или паров. Эта машина не подходит для сбора опасных порошков.
- Не носите драгоценности во время работы рядом с электрическими компонентами.
- Не работайте с поднятой машиной без ее надежной фиксации.
- При использовании свинцовых (ЖИДКИХ) батарей, они могут выделять горючий газ при нормальном использовании. Держите искрящиеся, воспламеняющиеся и излучающие материалы, а также предметы освещения и горения подальше от батарей. Не курите вблизи машины.
- При зарядке свинцовых (ЖИДКИХ) батарей, они могут выделять водород, который может вызвать взрыв. Вы должны следить за тем, чтобы обеспечить хорошо проветриваемое зарядное помещение, вдали от источников открытого пламени.



ПРЕДУПРЕЖДЕНИЕ!

- Внимательно проверяйте машину перед каждым использованием. Перед включением убедитесь, что все компоненты правильно собраны, чтобы не нанести ущерб людям и имуществу.

- Перед использованием зарядного устройства, убедитесь, что значения частоты и напряжения, указанные на табличке с серийным номером машины совпадают с параметрами сети.
- Никогда не перемещайте машину, взявшись за кабель зарядного устройства. Не пропускайте кабель через закрытую дверь и не наматывайте на острые края или углы. Не ставьте машину на кабель зарядного устройства. Держите кабель зарядного устройства подальше от нагретых поверхностей. Не заряжайте батареи, если кабель или вилка зарядного устройства повреждены.
- Для снижения риска возникновения пожара, поражения электрическим током или травмы, перед уходом убедитесь, что машина выключена.
- Используйте или храните машину в сухих помещениях, не допускается эксплуатация вне помещений.
- Температура работы и хранения машины должна быть в пределах от 0 °C до +40 °C, влажность воздуха должна быть в пределах 30% - 95%.
- Не используйте машину на склонах с уклоном, превышающим уклон, указанный в спецификации.
- При использовании и эксплуатации моющих средств для пола, следуйте инструкциям на этикетках моющих средств и надевайте защитные перчатки и защитные средства.
- Используйте щетки и всасывающие скребки, поставляемые с машиной или указанные в руководстве. Использование других щеток и всасывающих скребков может снизить безопасность.
- В случае неисправности машины, убедитесь, что это происходит не из-за отсутствия технического обслуживания. При необходимости обратитесь за помощью в офисы нашей компании или в авторизованный сервисный центр.
- Примите все необходимые меры предосторожности, чтобы предотвратить попадание волос, драгоценностей и частей одежды в движущиеся части машины.
- Не используйте машину в сильно запыленных местах.
Не мойте машину под прямой или напорной струей воды или с использованием агрессивных веществ.
- Не задевайте полки или стеллажи, особенно там, где существует риск падения предметов.
- Не прислоняйте емкости с жидкостью к машине, используйте соответствующие держатели.
- Чтобы избежать повреждения пола, не допускайте работу щетки / пэда, когда машина стоит на месте.
- В случае пожара, используйте сухой порошковый огнетушитель. Не используйте жидкие огнетушители.
- Не удаляйте и не изменяйте наклейки машины.
- Не портите руководство безопасности машины и тщательно следуйте инструкциям по техническому обслуживанию.
- Будьте внимательны во время транспортировки машины при температуре ниже точки замерзания. Вода в баке для грязной воды и в шлангах может замерзнуть и серьезно повредить машину.
- Если какие-либо запасные части необходимо заменить, закажите **ОРИГИНАЛЬНЫЕ** запасные части в офисе нашей компании или у уполномоченного дилера.
- Сообщите в сервисный центр, если машина не работает, повреждена, находилась на открытом воздухе или упала в воду.
- Для обеспечения правильной и безопасной эксплуатации машины, плановое техническое обслуживание, указанное в соответствующей главе данного Руководства, должно выполняться нашими сервисными инженерами или в авторизованном сервисном центре.
- Машина должна быть правильно утилизирована из-за токсичных и опасных материалов (батареи и т.д.). Процедура утилизации должна проходить в соответствии со стандартами и в специализированных центрах (см. главу Утилизация).
- Данная машина используется только в качестве поломоечной, а не для любого другого назначения.
- Всегда содержите шланги в чистоте, чтобы не было сопротивления потоку воздуха. Не используйте машину, если они забиты.
- Используйте машину только при надлежащем освещении.
- Данная машина не предназначена для использования лицами с ограниченными физическими или умственными способностями, или с отсутствием опыта и знаний, если они не находятся под контролем или не получили инструкции относительно использования машины лицом, ответственным за их безопасность.
- Особое внимание необходимо при использовании рядом с детьми.
- Дети должны быть под присмотром и не играть с машиной.
- При использовании данной машины, будьте внимательны, чтобы не нанести вред людям или объектам.

ОПИСАНИЕ МАШИНЫ

ЭЛЕМЕНТЫ МАШИНЫ (как показано на Рис. 1)

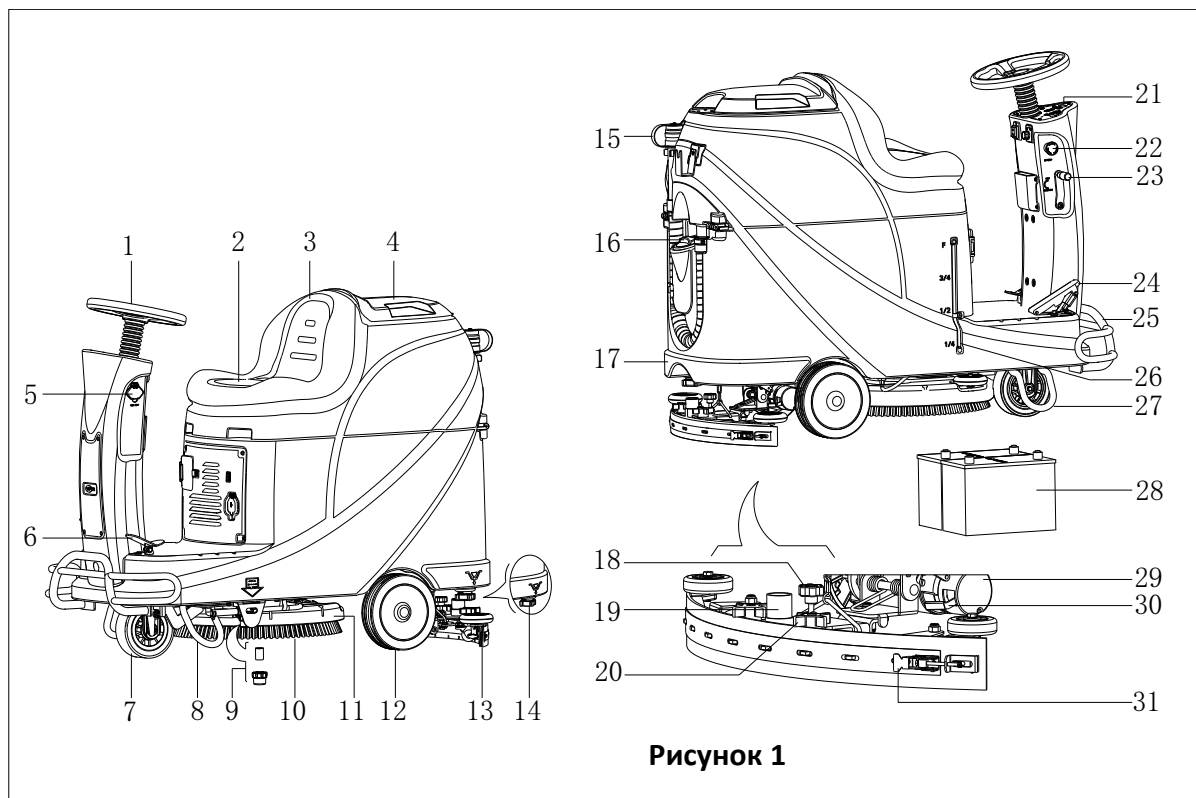


Рисунок 1

- | | |
|---------------------------------------|---|
| 1. Рулевое колесо | 17. Бак чистой воды/раствора |
| 2. Сиденье оператора | 18. Ручка регулировки угла водосборного скребка |
| 3. Бак для грязной воды | 19. Вакуумный шланг |
| 4. Крышка бака для грязной воды | 20. Винт крепления скребка |
| 5. USB порт зарядки | 21. Панель управления |
| 6. Педаль | 22. Аварийный выключатель |
| 7. Переднее колесо | 23. Рычаг подъема/опускания скребка |
| 8. Левый опорный кронштейн | 24. Педаль движения |
| 9. Фильтр моющего средства | 25. Передний бампер |
| 10. Щетка | 26. Индикатор уровня воды/раствора |
| 11. Дека щетки | 27. Правый опорный кронштейн |
| 12. Заднее колесо | 28. Батарея |
| 13. Всасывающий скребок | 29. Приводное колесо |
| 14. Крышка слива чистой воды/раствора | 30. Кронштейн тормозного блока |
| 15. Сливной шланг сточной воды | 31. Фиксатор лезвия скребка |
| 16. Крышка бака чистой воды | |

ОПИСАНИЕ МАШИНЫ

ПАНЕЛЬ УПРАВЛЕНИЯ (как показано на Рис. 2)

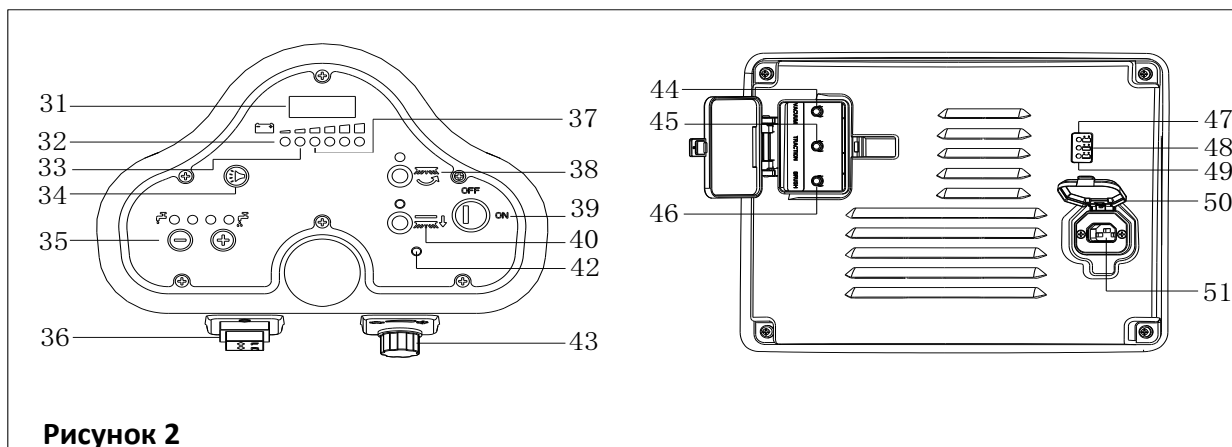


Рисунок 2

- | | |
|--|--|
| 31. Светодиодный экран | 42. Лампочка неисправности двигателя |
| 32. Предупреждающая лампочка разряженной батареи (Красный) | 43. Ручка регулировки скорости |
| 33. Индикатор наполовину разряженной батареи (Желтый) | 44. Защита от перегрузки вакуумного мотора |
| 34. Кнопка звукового сигнала | 45. Защита от перегрузки двигателя |
| 35. Кнопка регулировки объема моющего средства | 46. Защита от перегрузки мотора щетки |
| 36. Переключатель вперед-назад | 47. Индикатор полностью заряженной батареи (Зеленый) |
| 37. Индикатор разряда аккумулятора (зеленый) | 48. Индикатор наполовину заряженной батареи (Желтый) |
| 38. Кнопка щетки | 49. Индикатор заряда батареи (Красный) |
| 39. Ключ зажигания | 50. Крышка разъема зарядного устройства |
| 40. Кнопка разгрузки щетки | 51. Разъем зарядного устройства |

СВЕТОДИОДНЫЙ ЭКРАН ОТОБРАЖЕНИЯ ИНФОРМАЦИИ

СТОП – Машина не может двигаться, щетка перестает работать, но вакуумный мотор может работать

(00012.3) – Общее количество рабочих часов машины составляет 12.3 часов

L0-(18) – Напряжение аккумуляторной батареи ниже 18В

U-(25.5) – Напряжение батареи 25.5В

ERR-01 – Скребок не поднимается, когда машина поворачивает в обратном направлении

ОКНО ПРОСМОТРА СВЕТОВОГО ИНДИКАТОРА ЗАРЯДНОГО УСТРОЙСТВА (как показано на Рисунок 2)

1. В начале зарядки, красный светодиод (49) зарядного устройства обычно горит. Это первый этап зарядки.
2. После зарядки в течение некоторого времени, красный светодиод (49) на зарядном устройстве выключается, желтый светодиод (48) включается, это второй этап зарядки.
3. После завершения зарядки желтый светодиод (48) гаснет, зеленый светодиод (47) загорается, показывая, что аккумулятор полностью заряжен.

ПРИМЕЧАНИЕ

В процессе зарядки, если желтый свет (48) горит, это может быть вызвано следующими причинами: Аккумулятор и зарядное устройство не соответствуют друг другу, батарея плохо подключена, или на выходе произошло короткое замыкание.

Мигание красного свет зарядного устройства может быть вызвано внутренним короткого замыканием зарядного устройства.

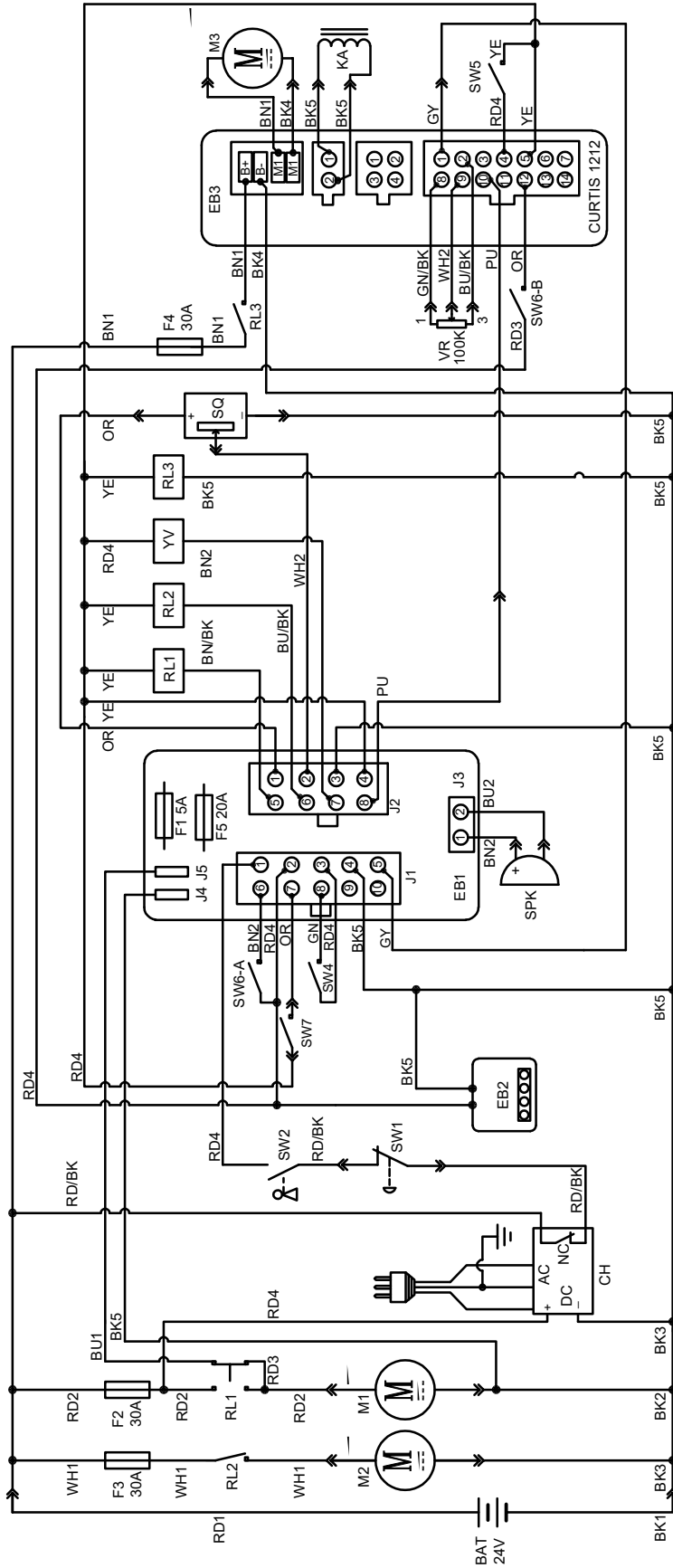
При постановке на зарядку сначала необходимо подключить кабель в разъем (51), затем в электрическую розетку, при отключении необходимо выполнить операции в обратном порядке



ТЕХНИЧЕСКИЕ ПАРАМЕТРЫ

МОДЕЛЬ	AS530R	
Размеры упаковки (ДхШхВ)	мм	1470*730*1310
Высота машины	мм	1120
Длина машины	мм	1360
Ширина машины (без скребка)	мм	580
Вес машины с пустыми баками (без батарей)	кг	140
Максимальный брутто вес	кг	270
Вес при отправке	кг	245
Емкость бака для воды/раствора	литр	72
Емкость бака грязной воды	литр	73
Мощность вакуумного двигателя	ватт	400
Разряжение вакуумной системы	мм H ₂ O	1223
Способность преодолевать подъемы (макс.)	%	10
Диаметр переднего колеса	мм	φ175
Диаметр заднего колеса	мм	φ230
Уровень шума	дБ(А)	69
Поток раствора/воды	л/мин	0.84-2.0
Рабочая ширина	мм	530
Ширина скребка	мм	730
Диаметр щетки/пэда	мм	530
Мощность двигателя щетки	ватт	450
Скорость вращения щетки	об/мин	160
Давление щетки/пэда (макс.)	кг	23
Мощность мотора хода	ватт	300Вт
Рабочая скорость машины	км/ч	5.5км/ч
Напряжение	В	24В
Батареи (приобретается отдельно)	А-ч	2x100А-ч (20 часов)
Зарядное устройство (приобретается отдельно)	В/А	24В 10А
Размер отсека для батарей (Д х Ш х В)	мм	350*380*300
Спецификация зарядного устройства USB	В/А	5В, 0.8А

ЭЛЕКТРИЧЕСКАЯ СХЕМА



WIRE ROD	
RD1	RED/6AWG
RD2	RED/10AWG
RD3	RED/18AWG
RD4	RED/20AWG
RD/BK	RED/BLACK / 20AWG
BK1	BLACK/6AWG
BK2	BLACK/10AWG
BK3	BLACK/12AWG
BK4	BLACK/14AWG
BK5	BLACK/18AWG
BN1	BROWN/14AWG
BN2	BROWN/20AWG
BN/BK	BROWN/BLACK / 20AWG
BU1	BLUE/18AWG
BU2	BLUE/20AWG
BU/BK	BLUE/BLACK / 20AWG
GN	GREEN/20AWG
GN/BK	GREEN/BLACK /20AWG
GY	GRAY/20AWG
PU	PURPLE/20AWG
OR	ORANGE/20AWG
YE	YELLOW/20AWG
WH1	WHITE/12AWG
WH2	WHITE/20AWG

COMPONENTS	
BAT	24V BATTERIES
CH	BATTERY CHARGER
EB1	CONTROL PANEL BOARD
EB2	USB CHARGING ELECTRONIC BOARD
EB3	DRIVE ELECTRONIC BOARD
RL1	BRUSH MOTOR ELECTROM SWITCH
RL2	VACUUM MOTOR ELECTROM SWITCH
RL3	DRIVE SYSTEM ELECTROM SWITCH
YV	WATER ELECTROVALVE
F1	CONTROL PANEL BOARD FUSE
F2	BRUSH MOTOR CIRCUIT BREAKER
F3	VACUUM MOTOR CIRCUIT BREAKER
F4	DRIVE SYSTEM CIRCUIT BREAKER
F5	BRUSH RELEASE FUSE
KA	BRAKE
M1	BRUSH MOTOR
M2	VACUUM MOTOR
M3	DRIVE MOTOR
SW1	EMERGENCY-STOP SWITCH
SW2	KEY SWITCH
SW4	VACUUM MOTOR SWITCH
SW5	OPTIONAL MODE SWITCH
SW6-A	OPTIONAL REVERSE SWITCH
SW6-B	OPTIONAL REVERSE SWITCH
SW7	SEAT SWITCH
SQ	FOOT THROTTLE
SPK	12VDC BUZZER
VR	SPEED POTENTIOMETER

КОМПОНЕНТЫ		КОМПОНЕНТЫ	
BAT	24В БАТАРЕИ	M1	МОТОР ЩЕТКИ
CH	ЗАРЯДНОЕ УСТРОЙСТВО БАТАРЕИ	M2	ВАКУУМНЫЙ МОТОР
EB1	ПЛАТА ПАНЕЛИ УПРАВЛЕНИЯ	M3	МОТОР ДВИГАТЕЛЯ
EB2	ЭЛЕКТРОННАЯ ПЛАТА USB ЗАРЯДКИ	SW1	ВЫКЛЮЧАТЕЛЬ ЭКСТРЕННОЙ ОТСАНОВКИ
EB3	ЭЛЕКТРОННАЯ ПЛАТА ДВИГАТЕЛЯ	SW2	КЛЮЧ ЗАЖИГАНИЯ
RL1	ЭЛЕКТРОМАГНИТНЫЙ ПЕРЕКЛЮЧАТЕЛЬ МОТОРА ЩЕТКИ		
RL2	ЭЛЕКТРОМАГНИТНЫЙ ПЕРЕКЛЮЧАТЕЛЬ ВАКУУМНОГО МОТОРА	SW4	ПЕРЕКЛЮЧАТЕЛЬ ВАКУУМНОГО МОТОРА
RL3	ЭЛЕКТРОМАГНИТНЫЙ ПЕРЕКЛЮЧАТЕЛЬ СИСТЕМЫ ДВИГАТЕЛЯ	SW5	ДОПОЛНИТЕЛЬНЫЙ ПЕРЕКЛЮЧАТЕЛЬ РЕЖИМА
YV	ЭЛЕКТРОКЛАПАН ВОДЫ	SW6-A	ДОПОЛНИТЕЛЬНЫЙ ПЕРЕКЛЮЧАТЕЛЬ ОБРАТНОГО ХОДА
F1	ПЛАВКИЙ ПРЕДОХРАНИТЕЛЬ ПЛАТЫ ПАНЕЛИ УПРАВЛЕНИЯ	SW6-B	ДОПОЛНИТЕЛЬНЫЙ ПЕРЕКЛЮЧАТЕЛЬ ОБРАТНОГО ХОДА
F2	ВЫКЛЮЧАТЕЛЬ МОТОРА ЩЕТКИ	SW7	ПЕРЕКЛЮЧАТЕЛЬ СИДЕНЬЯ
F3	ВЫКЛЮЧАТЕЛЬ ВАКУУМНОГО МОТОРА	SQ	НОЖНОЙ ДРОССЕЛЬНЫЙ КЛАПАН
F4	ВЫКЛЮЧАТЕЛЬ СИСТЕМЫ ДВИГАТЕЛЯ	SPK	ЗУММЕР 12В ПОСТОЯННОГО ТОКА
F5	ПЛАВКИЙ ПРЕДОХРАНИТЕЛЬ ОТКЛЮЧЕНИЯ ЩЕТКИ	VR	ПОТЕНЦИОМЕТР СКОРОСТИ
KA	ТОРМОЗ		

ПРОВОДКА		ПРОВОДКА	
RD1	КРАСНЫЙ / 6AWG	BN/BK	КОРИЧНЕВЫЙ / ЧЕРНЫЙ / 20AWG
RD2	КРАСНЫЙ / 10AWG	BU1	СИНИЙ / 18AWG
RD3	КРАСНЫЙ / 18AWG	BU2	СИНИЙ / 20AWG
RD4	КРАСНЫЙ / 20AWG	BU/BK	СИНИЙ / ЧЕРНЫЙ / 20 AWG
RD/BK	КРАСНЫЙ / ЧЕРНЫЙ / 20AWG	GN	ЗЕЛЕНый / 20AWG
BK1	ЧЕРНЫЙ / 6AWG	GN/BK	ЗЕЛЕНый / ЧЕРНЫЙ / 20AWG
BK2	ЧЕРНЫЙ / 10AWG	GY	СЕРЫЙ / 20AWG
BK3	ЧЕРНЫЙ / 12AWG	PU	ФИОЛЕТОВЫЙ / 20AWG
BK4	ЧЕРНЫЙ / 14AWG	OR	ОРАНЖЕВЫЙ / 20AWG
BK5	ЧЕРНЫЙ / 18AWG	YE	ЖЕЛТЫЙ / 20AWG
BN1	КОРИЧНЕВЫЙ / 14AWG	WH1	БЕЛЫЙ / 12 AWG
BN2	КОРИЧНЕВЫЙ / 20AWG	WH2	БЕЛЫЙ / 20AWG

РУКОВОДСТВО ПО ЭКСПЛУАТАЦИИ



ПРЕДУПРЕЖДЕНИЕ!

Обратите повышенное внимание на эти символы в данном руководстве:

- ОПАСНОСТЬ!
- ПРЕДУПРЕЖДЕНИЕ!
- ВНИМАНИЕ!
- КОНСУЛЬТАЦИЯ

Никогда не закрывайте эти символы на машине по любой причине, немедленно замените их при наличии любого повреждения.

УСТАНОВКА И НАСТРОЙКА НОВОЙ БАТАРЕИ МАШИНЫ



ПРЕДУПРЕЖДЕНИЕ!

Электрические компоненты машины могут быть серьезно повреждены, если батарея неправильно установлена или подключена.

Батареи должны быть установлены квалифицированным персоналом. Установите зарядное устройство (приобретается отдельно) и РСВА машины в зависимости от типа батареи (КИСЛОТНЫЕ или ГЕЛЕВЫЕ/AGM).

Проверьте, не повреждены ли батареи перед установкой.

Отсоедините разъем батареи и штекер зарядного устройства.

Обращайтесь с батареями с большой осторожностью.

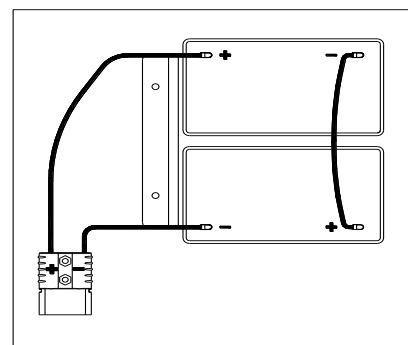


Рисунок 3



ПРИМЕЧАНИЕ

Машине требуется две 12В батареи, подключенные в соответствии с Рис. 3.

Машина может работать в одном из следующих режимов батарей:

А) КИСЛОТНЫЕ или ГЕЛЕВЫЕ/AGM батареи уже установлены и готовы к использованию

1. Проверьте батареи и подключите разъем батареи к машине.
2. Вставьте ключ зажигания в положение (40) и поверните в положение "включено". Если зеленый индикатор (37) включается, батареи полностью заряжены для использования; если включается желтый или красный свет (33 или 32), батареи должны заряжаться.
3. **Без батарей**
 1. Если машина не оснащена батареями, купите соответствующие батареи [смотрите параграф Технические данные]. Для выбора батареи и установки, обратитесь к квалифицированным дистрибьюторам батарей.
 2. Когда батареи готовы, установите машину и зарядное устройство в соответствие с типом установленных батарей, а затем следуйте инструкциям, приведенным в следующем параграфе.

УСТАНОВКА БАТАРЕИ И ТИПОВАЯ НАСТРОЙКА БАТАРЕИ (КИСЛОТНЫЕ ИЛИ ГЕЛЕВАЯ / AGM)

Установите электронную плату машины и зарядного устройства в соответствие с типом батарей (КИСЛОТНЫЕ или ГЕЛЕВЫЕ/AGM) следуя шагам, указанным ниже:



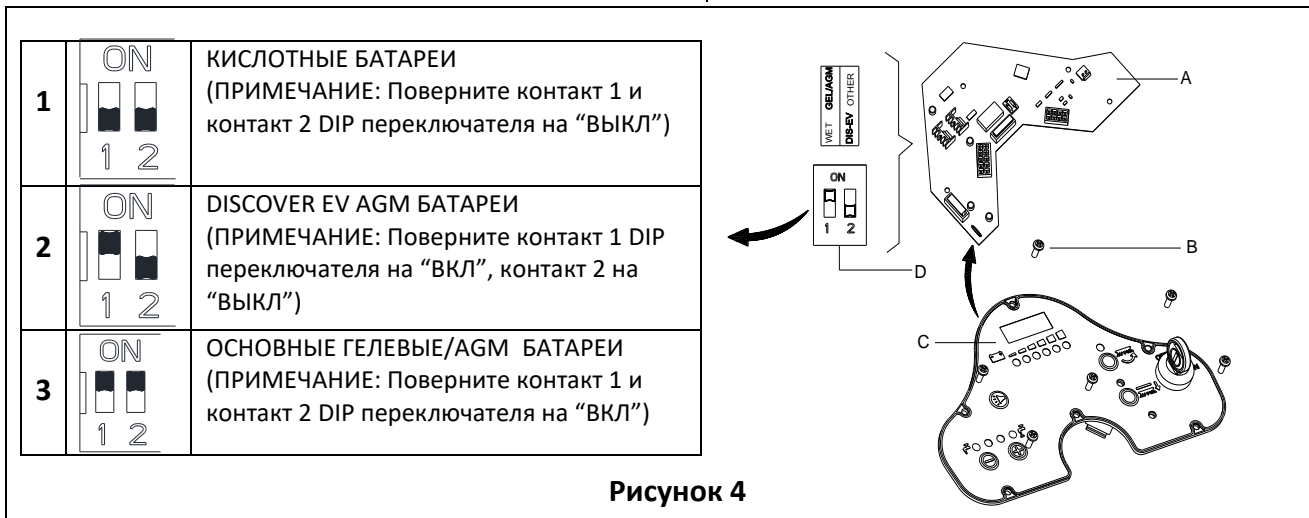
ПРИМЕЧАНИЕ

При установке новых батарей, следуйте Рис. 4, чтобы установить DIP-переключатель, или батареи могут быть повреждены при неправильной установке.

Настройка машины

1. Вставьте ключ зажигания (40) и поверните в положение "ВКЛ", обратите внимание ниже в течение первых секунд старта машины:
 - Если зеленый свет (37) мигает, машина настроена на ГЕЛЕВЫЕ/AGM батареи.
 - Если желтый свет (33) мигает, машина настроена на Discover EV AGM батареи.
 - Если красный свет (32) мигает, машина настроена на КИСЛОТНЫЕ батареи.
2. Выполните следующие шаги, чтобы изменить настройки машины.
3. Заводская установка машины предполагает использование Discover EV AGM батареи. Если настройка соответствует выбранным батареям, перейдите к шагу 6 непосредственно, или выполните следующий шаг.

4. Отвинтите винт (B, Рис. 4) на панели управления, а затем переверните РСВА (A) на панели, чтобы найти DIP-переключатель (D), следуйте Рис 4 для настройки DIP.
5. Выполните действия, описанные в обратном порядке разборки, чтобы зафиксировать панель управления и зафиксировать винт после того, как настройка будет сделана.



Установка батарей

6. Откройте крышку бака грязной воды (4) и убедитесь, что бак (3) пустой; в противном случае слейте его при помощи сливного шланга (15).
7. Закройте крышку бака грязной воды (4).
8. Аккуратно переверните бак (3).
9. Машина оснащена кабелями, подходящими для установки 2X12В батарей. Аккуратно вставьте батареи в отсек, затем правильно установите их.
10. Направьте и установите кабель батарей, как показано на (Рис. 3), затем аккуратно зафиксируйте гайку на каждом выводе батарей.
11. На каждый вывод поместите защитный колпачок, затем подсоедините соединитель батарей.
12. Аккуратно опустите бак грязной воды (3).

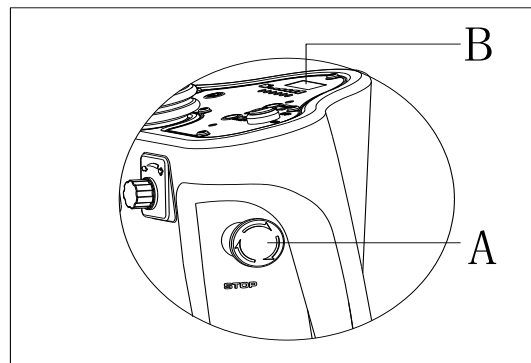


Рисунок 5

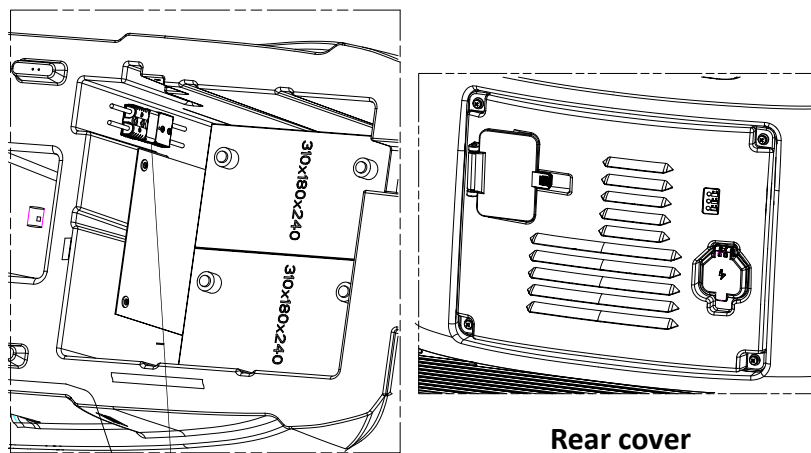
Зарядка батарей

13. Зарядка батарей. [См. главы ТЕХОБСЛУЖИВАНИЕ].

**Настройка зарядного устройства (только если установлено встроенное зарядное устройство)
Зарядное устройство**

Зарядное устройство расположено под задней крышкой и напрямую соединено с батареями. Зарядное устройство управляется микропроцессором и использует различные кривые зарядки, обеспечивая оптимальную работу в зависимости от типа батареи.

1. Отсоедините кабельный разъем от батарей.
2. Снимите заднюю крышку.
3. Открутите 4 винта (B), и снимите зарядное устройство (A).

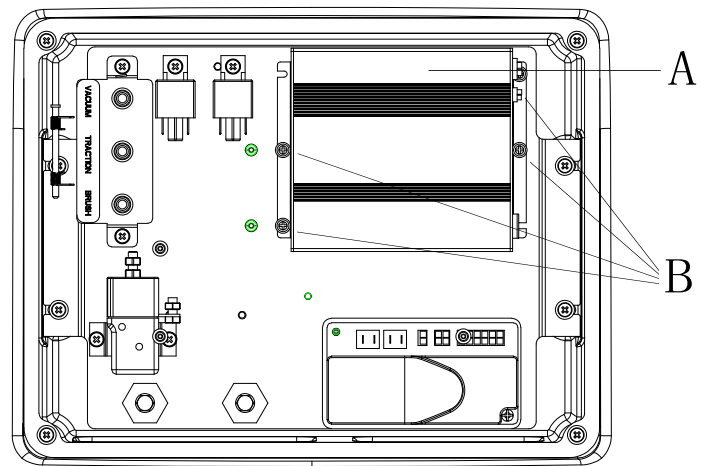


Disconnect the connector

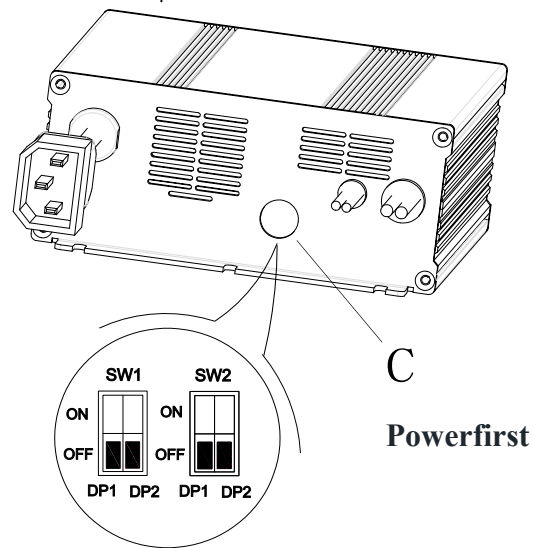
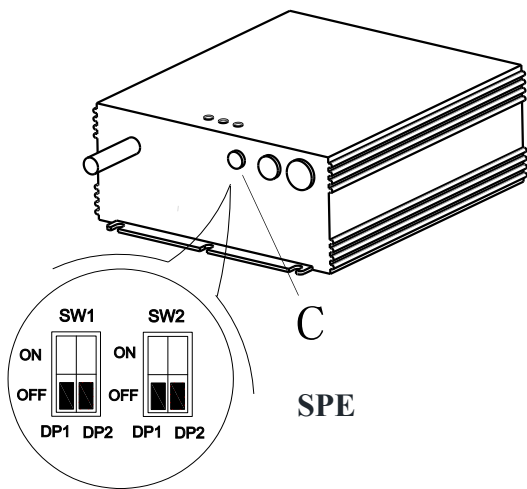
Rear cover

DIP-переключатели типа батареи

Работа зарядного устройства управляется при помощи 4 DIP-переключателей (2 пар), расположенных под задней крышкой. Второй пары переключателей следует касаться только в случае замены зарядного устройства и необходимости подтверждения их положения: необходимо установить напряжение батареи (24В) и максимальную силу тока (10А), и проследить, чтобы указанные переключатели находились в положении «Выкл.». Доступ к первым двум переключателям можно получить без вскрытия зарядного устройства – путем снятия пластиковой заглушки. При помощи этих переключателей можно настроить кривую зарядки, используемую для каждого типа батареи. Кривая зарядки задает способ подачи тока на батарею и значения тока и напряжения во время отдельных фаз цикла зарядки.



1. Снимите пластиковую заглушку, чтобы получить доступ к DIP-переключателям (С).
2. Настройте первую пару DIP-переключателей (SW1) в соответствии с таблицей ниже.
3. Установите пластиковую заглушку на место.



Curve/Battery Type	SW1		SW2	
	D1	D2	D1	D2
IUIa Wet	On	Off	Off	Off
IUIa Gel Exide	Off	Off		
IUoU AGM	Off	On		
IUIa AGM Discover	On	On		

Curve/Battery Type	SW1		SW2	
	D1	D2	D1	D2
IUIa Wet	On	Off	Off	Off
IUIa Gel Exide	Off	Off		
IUIa AGM	Off	On		
IUIa AGM Discover	On	On		

ЭКСТРЕННОЕ ТОРМОЖЕНИЕ

Если происходит какой-либо экстренный случай во время работы машины, нажмите аварийный выключатель (А, Рисунок 5), тогда все функции машины остановятся, не будет отображения на панели управления (В, Рисунок 5)

УСТАНОВКА И СНЯТИЕ ЩЕТКИ/ПЭДА



ПРИМЕЧАНИЕ

Установите подходящую щетку (А, Рисунок 6) или пэд (В и С, Рисунок 6) в зависимости от типа пола, который необходимо очистить.



ПРЕДУПРЕЖДЕНИЕ

Перед установкой или удалением щетки или пэда, убедитесь, что все переключатели на машине находятся в выключенном положении и всасывающий скребок поднят с пола.

Оператор должен быть оснащен подходящими средствами индивидуальной защиты, такими как перчатки, чтобы уменьшить риск несчастных случаев. Выполните следующие:

1. Убедитесь что ключ зажигания (40) в положении "ВЫКЛ".
2. Установите щетку вручную, соединив выступы на щетке и отверстия в держателе щетки.
3. Для автоматического снятия щетки, нажмите педаль (6) ногой, чтобы поднять блок щетки (11) с пола,

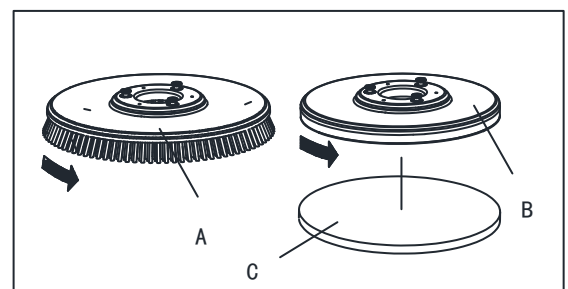


Рисунок 6

нажмите кнопку снятия щетки (41), чтобы удалить ее автоматически.



ПРЕДУПРЕЖДЕНИЕ!

Поверните ручку регулировки скорости (42) до минимальной скорости до нажатия педали привода (6), чтобы избежать слишком быстрого движения машины, когда она запущена. Убедитесь, что щетка/пэд правильно установлены до работы машины.

РЕГУЛИРОВКА УГЛА СКРЕБКА

1. Установите скребок (13) и закрепите винты скребка (20), а затем подсоедините вакуумный шланг (19) к скребку.
2. Отрегулируйте скребок при помощи регулировочной ручки скребка (А, Рисунок 7).
 - а) При наличии зазора между землей и средней части задней резинки (В), отрегулируйте ручку (А) в направлении против часовой стрелки (F), пока все секции задней резинки не будут хорошо соприкасаться с землей, передняя резинка не будет немного касаться земли.
 - б) Если есть зазор между землей и крайними секциями задней резинки лопасти (С и D), отрегулируйте ручку (А) в направлении по часовой стрелке (E), пока все секции задней резинки не будут хорошо соприкасаться с землей, передняя резинка не будет немного касаться земли.

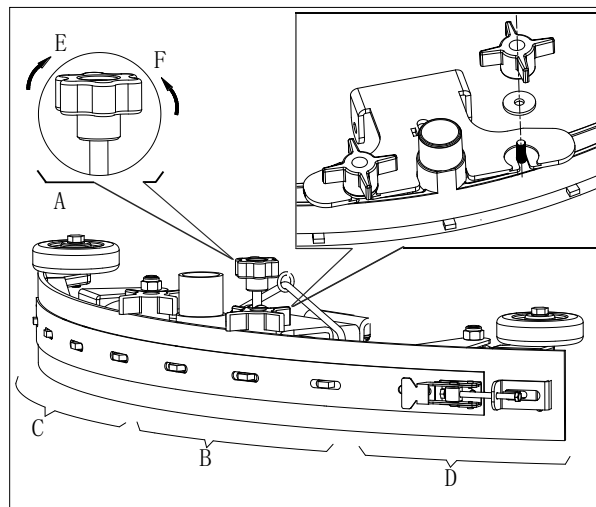


Рисунок 7

НАПОЛНЕНИЕ БАКА МОЮЩЕГО СРЕДСТВА

1. Откройте крышку заливного отверстия для воды (E, Рисунок 8).
2. Наполните водой или раствором подходящим для выполнения работы через заливное отверстие для воды через фильтр.
Температура раствора не должна превышать (+40°C).
3. Не переполняйте бак, следите за индикатором уровня воды (G).



ПРЕДУПРЕЖДЕНИЕ!

Используйте только малопеняющиеся и невоспламеняющиеся моющие средства, предназначенные для автоматических поломоечных машин.

Осмотр мотора двигателя

1. Поверните ключ зажигания (А, Рисунок 9) в положение "ВКЛ"
2. Нажмите педаль привода (С) слегка, затем ослабьте ее, чтобы проверить, может ли машина двигаться вперед и останавливаться.
3. Чтобы убедиться в безопасности, проверьте, действительно ли машина может быть немедленно остановлена нажатием аварийной кнопки (В). Поверните кнопку аварийной остановки, чтобы отменить ее.



ПРЕДУПРЕЖДЕНИЕ

Угол подъема при работе машины не должен превышать 10%.



ПРЕДУПРЕЖДЕНИЕ

Электрический тормоз мотора двигателя отключен, когда двигатель работает. Блокировка включается, когда двигатель перестает работать.

- Тормоз отключен - рычаг стояночного тормоза (D, Рисунок 9) в верхнем положении
- Тормоз заблокирован - рычаг стояночного тормоза в нижнем положении

В некоторых особых случаях, таких как упаковка/распаковка машины, неисправность машины и т.п., при необходимости перемещать машину без работающего мотора двигателя, пожалуйста, вручную отключите тормоз. Во избежание любой угрозы безопасности, убедитесь в том, чтобы установить тормоз обратно в заблокированное состояние после перемещения машины.

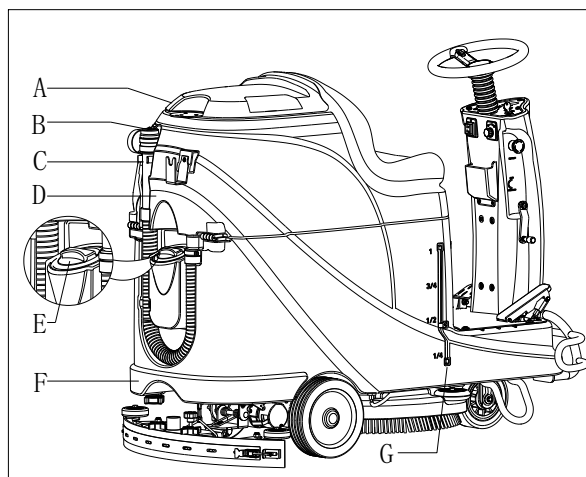


Рисунок 8

ОСТАНОВКА И ЗАПУСК МАШИНЫ

Запуск машины

1. Подготовьте машину, как показано в предыдущем пункте.
2. Сядьте на сиденье (L, Рисунок 10), вставьте ключ зажигания (A) и поверните его в положение "ВКЛ". Если зеленый индикатор (C) включен, батареи полностью заряжены для использования. Если желтый свет (E) или красный свет (D) включен, батареи должны быть заряжены перед работой. [См. главы ТЕХОБСЛУЖИВАНИЕ для зарядки батарей]
3. Опустите всасывающий скребок на пол.

ПРИМЕЧАНИЕ

Убедитесь, что всасывающий скребок поднят, прежде чем двигать машину в обратном направлении, иначе машина остановится и светодиодный экран покажет информацию "Ошибка".

4. Опустите щеточную деку на пол.

ПРИМЕЧАНИЕ

Убедитесь в том, чтобы выключить кнопку щетки перед тем, как щеточная дека поднимется, и поднимите щеточную деку, прежде чем управлять машиной вперед/назад.

5. Нажмите кнопку щетки (B)
6. Нажмите педаль движения (R), управляйте машиной вперед или назад при помощи рулевого колеса (N) вместе с переключателем вперед-назад (H), вы можете регулировать скорость с помощью ручки регулировки скорости (I).
7. Отрегулируйте поток моющего средства с помощью кнопки регулировки моющего средства (G) в соответствии с условиями уборки.
8. Вы можете зарядить свой телефон или планшет через USB порт зарядки (M), когда ключ зажигания (A) в положении "ВКЛ".
9. Нажмите на кнопку звукового сигнала (F), чтобы предупредить людей, когда это необходимо.
10. При необходимости, нажмите кнопку аварийной остановки для аварийной остановки машины.

ПРИМЕЧАНИЕ

Мотор щетки, вакуумный мотор, мотор двигателя и схема управления находятся под защитой защиты от перегрузки (P). При отключении защиты от перегрузки, не включайте ее заново сразу, не обнаружив первопричину, и убедитесь, что двигатель остыл перед повторным включением.

Остановка машины

11. Отпустите педаль привода (R, Рисунок 10), машина останавливается.
12. Нажмите кнопку щетки (B), чтобы остановить мотор щетки.
13. Поднимите щеточную деку (T) нажав на педаль (Q).
14. Поднимите всасывающий скребок (U) с помощью рычага подъема/опускания скребка (O), и через несколько секунд вакуумная система будет отключена.
15. Поверните ключ зажигания в положение "ВЫКЛ"
16. Убедитесь, что машина остановлена.

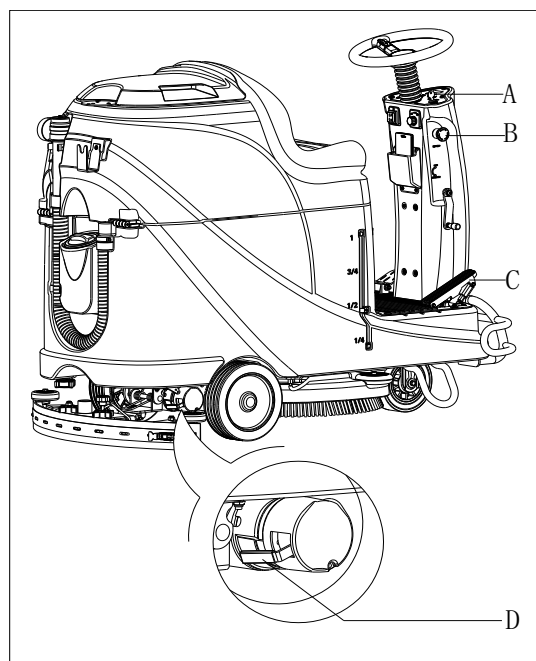


Рисунок 9

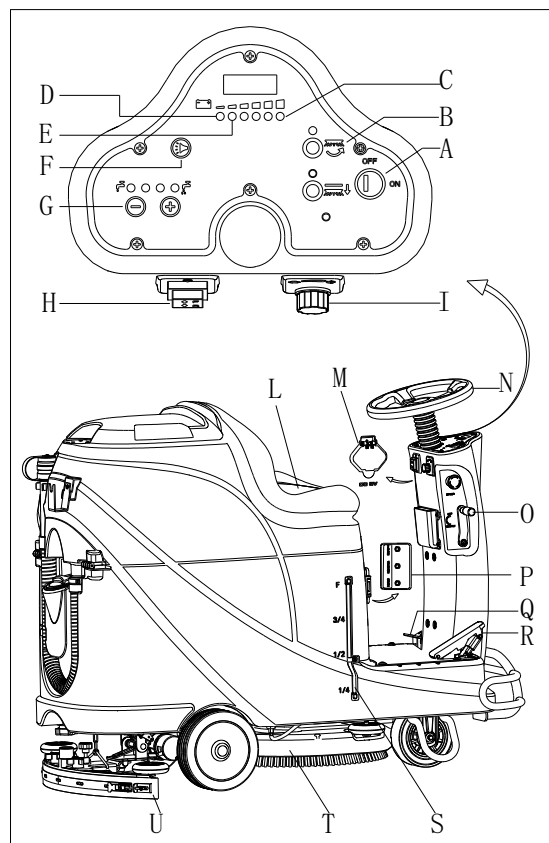


Рисунок 10

РАБОТА МАШИНЫ (ЧИСТКА И СУШКА)

1. Запустите машину в соответствии с процедурами в предыдущих пунктах.
2. Начните уборку, следуя процедурам, приведенным в разделе "Запуск машины".
3. В случае необходимости, остановите машину, чтобы отрегулировать скребок в соответствии с разделом "Регулировка баланса скребка".



ПРЕДУПРЕЖДЕНИЕ!

Во избежание повреждения поверхности пола, выключите щетку/держатель пэда, когда машина останавливается на одном месте.



ПРИМЕЧАНИЕ

Для правильной чистки/сушки полов вдоль стен, мы предлагаем работать правой стороной машины, как показано ниже на Рис. 11.

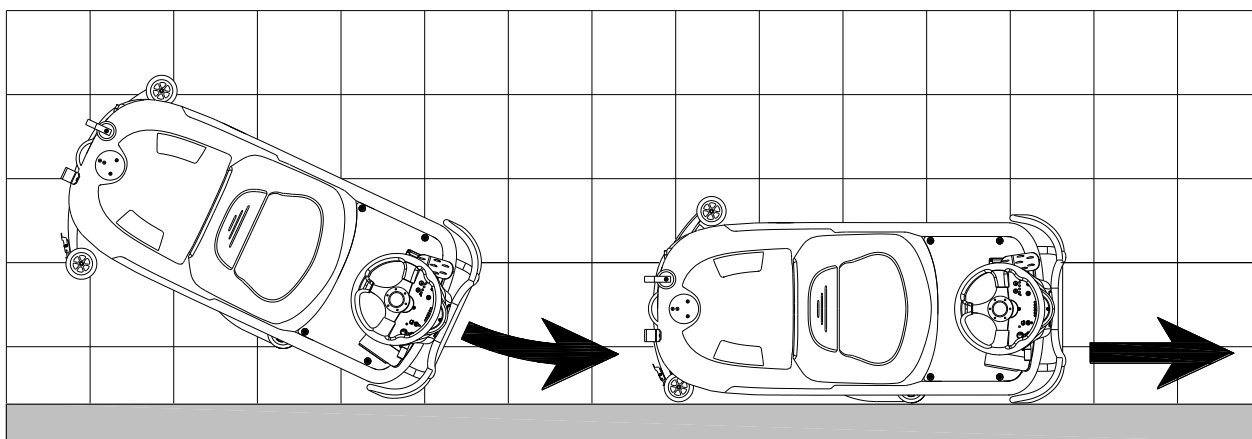


Рисунок 11

Зарядка батарей

Когда зеленый свет (А, Рисунок 12) включен, батареи имеют достаточную мощность для того, чтобы машина работала в обычном режиме; когда все зеленые лампочки выключены, желтый свет (С, Рисунок 12) включен, мощность батарей слишком низкая, пожалуйста, зарядите батареи; когда красный свет (В, Рисунок 12) мигает, батареи иссякли, вакуумный мотор и мотор щетки будут автоматически выключены с задержкой в несколько секунд, пожалуйста, отвезите машину для зарядки батарей немедленно.



ПРЕДУПРЕЖДЕНИЕ!

Во избежание повреждения батарей и сокращения срока их службы, не используйте машину, как только батареи разрядились.

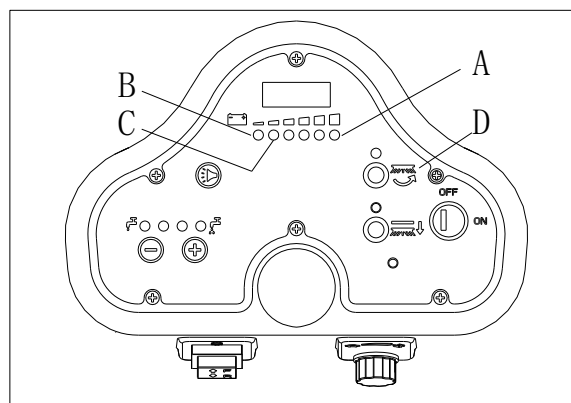


Рисунок 12

СЛИВ ВОДЫ

Поплавковая система выключения (В, Рисунок 13) блокирует вакуумную систему, когда бак грязной воды (С) полон. При блокировке вакуумной системы внезапно увеличивается уровень шума вакуумной турбины, а также прекращается сбор воды.



ОСТОРОЖНО!

Если вакуумная система выключилась случайно (например, когда поплавок блокирует из-за внезапного движения машины), для возобновления работы: выключите вакуумную турбину, нажав на переключатель (D, Рисунок 12), затем откройте крышку (А, Рисунок 11) и проверьте и убедитесь, что поплавок находится внутри поплавковой камеры (В) выше уровня воды. Затем закройте крышку (А) и включите вакуумную турбину, нажав на переключатель (D, Рисунок 12).

Когда бак грязной воды (С, Рисунок 13) полон, слейте его в соответствии со следующей процедурой.

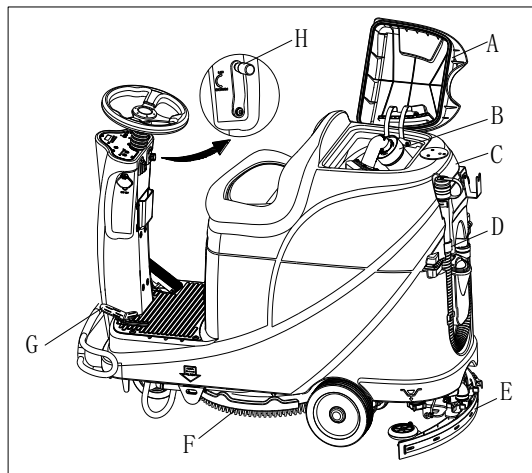


Рисунок 13

Слив бака грязной воды

1. Остановите машину.
2. Поднимите щеточную деку (Н, Рисунок 12), нажав на педаль (G).
3. Поднимите всасывающий скребок при помощи рычага (Н).
4. Переместите машину в место слива грязной воды.
5. Слейте грязную воду при помощи шланга (D). Затем промойте бак чистой водой.



ПРЕДУПРЕЖДЕНИЕ!

При сливе грязной воды, сливной шланг должен быть пережат (А, Рисунок 14) и опущен в нижнее положение, откройте крышку и плавно разжимайте шланг. Не направляйте выходное отверстие сливного шланга вверх, чтобы избежать попадания воды на оператора.

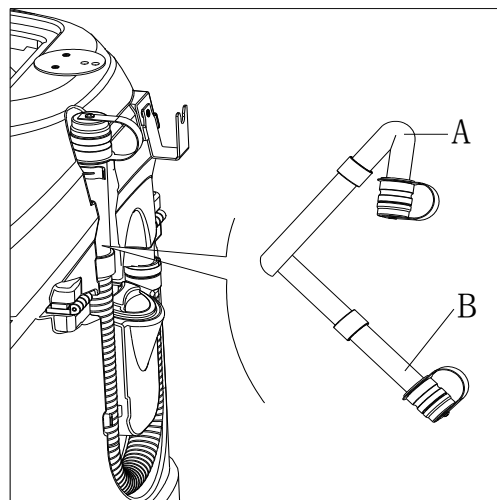


Рисунок 14

Опорожнение бака моющего средства/чистой воды

6. Выполните шаги с 1 по 4 в разделе "Опорожнение бака грязной воды".
7. Опустошите бак моющего средства через выпускную крышку (А, Рисунок 15). А потом, промойте бак чистой водой.

ПОСЛЕ ИСПОЛЬЗОВАНИЯ МАШИНЫ

После эксплуатации:

1. Снимите щетку/пэд
2. Слейте воду (В и С, Рисунок 15), как показано в предыдущем параграфе.
3. Выполните ежедневные процедуры обслуживания (смотрите главу по обслуживанию).
4. Храните машину в чистом и сухом месте, с поднятой или снятой щеткой и всасывающим скребком.

ДОЛГИЙ ПРОСТОЙ МАШИНЫ

Если машина не будет использоваться дольше, чем 30 дней, выполните следующее:

1. Выполните процедуры, приведенные в разделе "ПОСЛЕ ИСПОЛЬЗОВАНИЯ МАШИНЫ".
2. Отсоедините разъем батареи (D, рисунок 15).

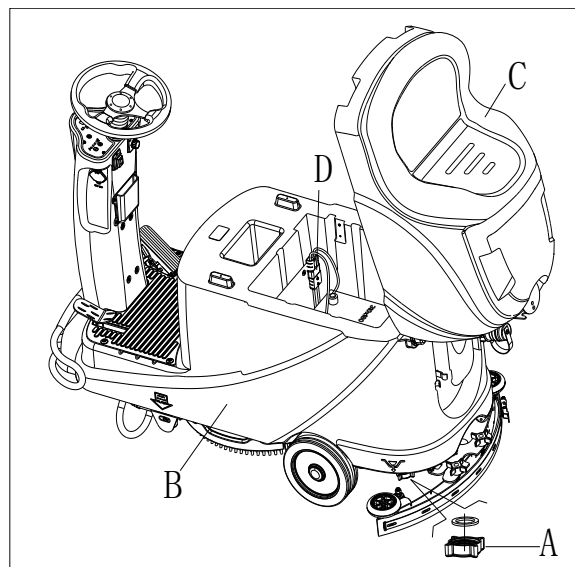


Рисунок 15

ИСПОЛЬЗОВАНИЕ В ПЕРВЫЙ РАЗ

После девяти часов использования машины в первый раз, пожалуйста, проверьте, есть ли повреждения или ненормальная ситуация, проверьте, возможно, крепежные детали или принадлежности плохо прикреплены.

ОБСЛУЖИВАНИЕ



ПРЕДУПРЕЖДЕНИЕ!

Процедуры технического обслуживания должны выполняться после выключения машины и кабель зарядного устройства должен быть отсоединен. Кроме того, обязательно ознакомьтесь с главой по технике безопасности в данном руководстве.

Все плановые технические обслуживания или поломки должны выполняться квалифицированным персоналом или авторизованным сервисным центром. Это руководство описывает только основные и общие процедуры обслуживания. Для других процедур технического обслуживания, которые не входят в график технического обслуживания, пожалуйста, обратитесь к Руководству по эксплуатации, по которому могут быть проведены консультации в любом сервисном центре нашей компании.

ТАБЛИЦА ПЛАНОВОГО ТЕХНИЧЕСКОГО ОБСЛУЖИВАНИЯ



ВНИМАНИЕ!

Процедура, отмеченная (1) должна быть выполнена, когда машина используется после 9 часов. Процедура с пометкой (2) должна быть сделана Сервисным центром, который квалифицирован нашей компанией.

Процедура	Ежедневно, после каждого использования	Еженедельно	Раз в полгода	Раз в год
Зарядка батареи				
Очистка всасывающего скребка				
Очистка щетки/пэда				
Очистка бака				
Осмотр уплотнения бака грязной воды				
Очистка поплавковой камеры				
Проверка и замены резинок всасывающего скребка				
Проверка фильтра чистой воды				
Проверка вакуумных шлангов				
Проверка уровня электролита (только на кислотных батареях)				
Проверка уровня затяжки винтов и гаек			(1)	
Проверка или замена щетки/пэда				(2)
Проверка или замена угольных щеток мотора щетки				(2)
Проверка или замена угольных щеток мотора привода				(2)
Добавление смазочного масла для вращающихся деталей			(1)	

ЗАРЯДКА БАТАРЕЙ



ПРИМЕЧАНИЕ

Пожалуйста, зарядите батареи, когда желтый светодиод (32) или красный светодиод (33) включены, или в конце каждого рабочего цикла.



ВНИМАНИЕ

Содержание батареи всегда в полностью заряженном состоянии может продлить срок ее службы.



ВНИМАНИЕ

Пожалуйста, зарядите аккумулятор как можно скорее, если уровень заряда батареи низкий, то срок службы батареи может быть снижен. Лучше проверять батарею один раз в неделю.

**ПРЕДУПРЕЖДЕНИЕ!**

Будьте особенно осторожны, когда батарея заряжается, потому что может произойти утечка кислоты в процессе зарядки.

Кислота разъедает одежду, если она случайно вступает в контакт с кожей или глазами, немедленно промойте большим количеством чистой воды и обратитесь на прием к врачу.

Этапы подготовки для заряда батарей

1. Откройте крышку бака грязной воды (В, Рисунок 16), чтобы проверить, пуст ли резервуар (С), или опустошите бак грязной воды через сливной шланг (А).
2. Поставьте машину к месту заряду.
3. Поверните ключ зажигания в положение "ВЫКЛ".
4. Этот шаг только для КИСЛОТНЫХ батарей:
 - При необходимости очистить поверхность аккумулятора.
 - Проверьте уровень электролита батарей (D), в случае необходимости откройте крышку, чтобы долить электролит, а затем закройте ее.
 - Держите крышку открытой во время зарядки.
5. Выберите один из нижеуказанных режимов зарядки на основе выбранного типа зарядного устройства.

Использование встроенного зарядного устройства для зарядки аккумулятора

6. Подключите кабель зарядного устройства батареи (А, Рисунок 17) к разъему (G), и затем все функции машины, кроме зарядки, отключаются автоматически. Обычно красный светодиод (В) сообщает о том, что машина находится в процессе зарядки.
7. Батареи полностью заряжены, когда загорается зеленый светодиод (С).
8. Отсоедините кабель зарядки батареи от электрической сети после завершения зарядки, храните кабель зарядного устройства в коробке для хранения (D).

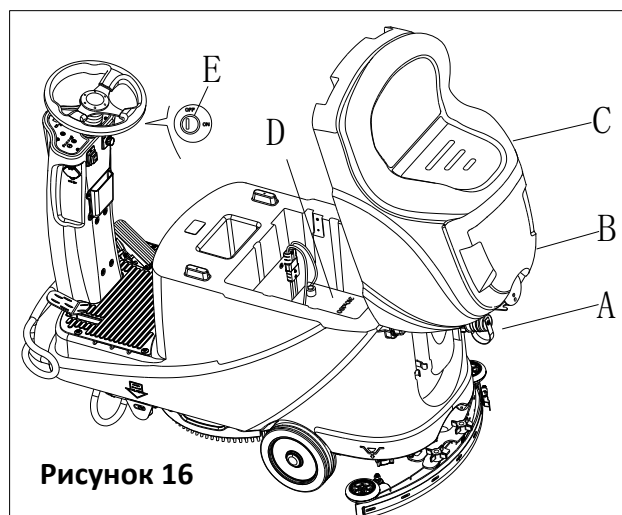


Рисунок 16

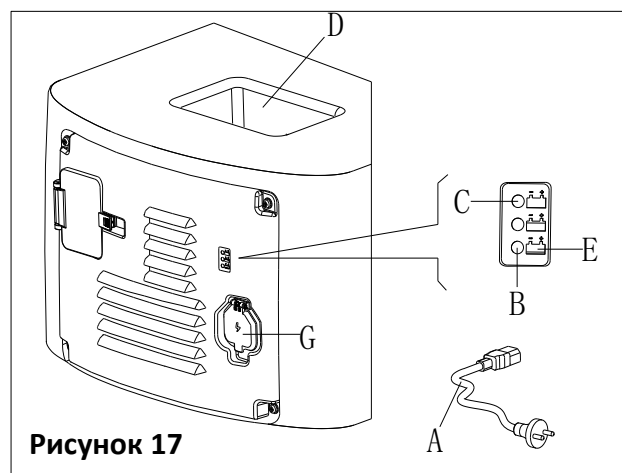


Рисунок 17

**ПРИМЕЧАНИЕ**

Для получения более подробной информации о встроенном зарядном устройстве (Е, Рисунок 17), пожалуйста, обратитесь к соответствующему руководству от сервисного центра.

ОЧИСТКА ЩЕТКИ/ПЭДА**ВНИМАНИЕ!**

Рекомендуется одевать перчатки при очистке щетки или держателя пэда, поскольку она может содержать острые предметы.

1. Снимите щетку/держатель пэда, основываясь на процедурах в предыдущих разделах.
2. Очистите щетку/держатель пэда, используя воду и моющее средство.
3. Проверьте целостность и условия истирания щетины щетки, при необходимости замените щетку.
4. Проверьте состояние пэда, при необходимости замените его.

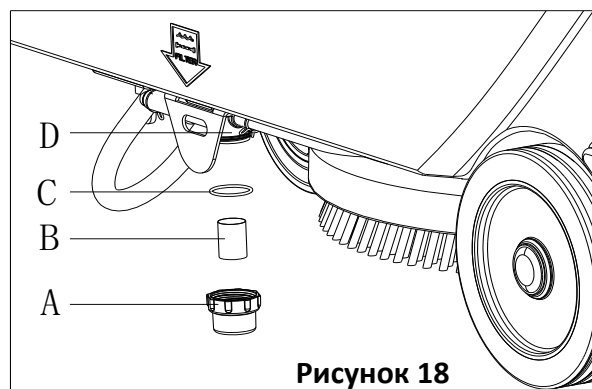


Рисунок 18

ОЧИСТКА ФИЛЬТРА МОЮЩЕГО СРЕДСТВА

1. Установите машину на ровную поверхность.
2. Убедитесь, что машина выключена.
3. Опустошите бак моющего средства (дополнительный шаг).
4. Снимите крышку фильтр моющего средства (А, Рисунок 18), чтобы очистить сетчатый фильтр (В), и затем прикрепите их обратно к опоре фильтра (D).



ПРИМЕЧАНИЕ

Сетчатый фильтр (В) должен быть правильно расположен на корпусе опоры фильтра (D).

ОЧИСТКА ЛЕЗВИЙ СКРЕБКА



ПРИМЕЧАНИЕ

Водосборный скребок должен быть чистым, и его резиновые вставки должны находиться в хорошем состоянии для обеспечения хорошего результата уборки



ОСТОРОЖНО!

Рекомендуется использовать защитные перчатки при очистке водосборного скребка, так как могут попадаться острые предметы.

1. Поставьте машину на ровный пол.
2. Поверните ключ зажигания (А, Рисунок 19) в положение "ВЫКЛ".
3. Опустите скребок (В) с помощью рычага (С).
4. Ослабьте ручки (D) и снимите скребок.
5. Отсоедините вакуумный шланг (Е) от скребка.
6. Очистите стальной или алюминиевый скребок, особенно отсеки (А, Рисунок 20) и отверстия (В). Проверьте целостность, порезы и разрывы переднего лезвия (В) и заднего лезвия (С), при необходимости, замените их в соответствии с процедурами, в следующем абзаце.
7. Соберите скребок в обратном порядке разборки.

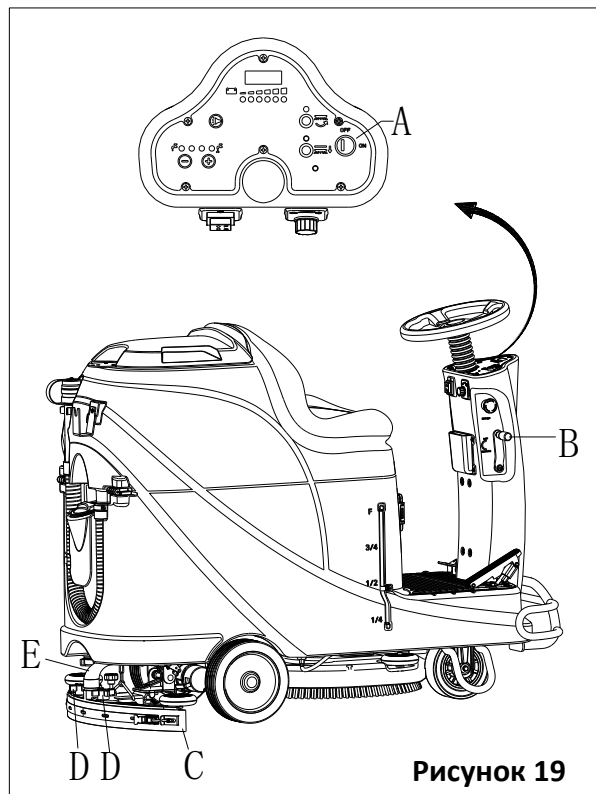


Рисунок 19

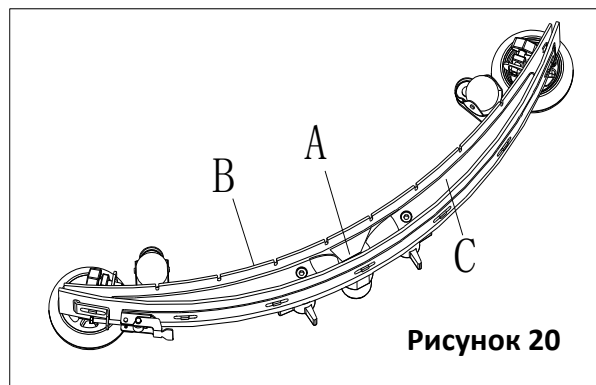


Рисунок 20

ПРОВЕРКА И ЗАМЕНА ЛЕЗВИЙ СКРЕБКА

1. Очистите всасывающий скребок, как показано в предыдущем параграфе.
2. Убедитесь, что края (Е, Рисунок 21) переднего лезвия (С) и края (F) заднего лезвия (D) находятся на одном уровне, по всей длине; при необходимости отрегулируйте высоту в соответствии со следующей процедурой:
 - Ослабьте хомут прижимной планки (G), снимите его с держателя (M) и отрегулируйте заднее лезвие (D), затем закрепите на держателе (M) и зафиксируйте хомут (G).
 - Ослабьте винты (I) и отрегулируйте переднее лезвие (C), затем заверните винты.
3. Проверьте переднее лезвие (C) и заднее лезвие (D) на отсутствие износов, порезов и разрывов; при необходимости замените их в соответствии со следующей процедурой. Убедитесь, что передний угол (J) заднего лезвия (D) не изношен; при необходимости переверните лезвие, чтобы заменить изношенный угол целым углом. Если другие углы также изношены, замените лезвие скребка в соответствии со следующей процедурой:
 - Ослабьте хомут (G), снимите с держателя (M) и снимите сдерживающую планку (K), затем замените/переверните заднее лезвие (D). Соберите скребок в обратном порядке.
 - Открутите винты (I) и удалите фиксирующую планку (L), затем замените переднее лезвие (C). Соберите скребок в обратном порядке. После замены лезвия (или переверачивания), отрегулируйте высоту, как показано в предыдущем шаге.
4. Подсоедините вакуумный шланг (А, Рисунок 22) к всасывающему скребку.
5. Установите скребок (В) и закрутите винты (С).
6. При необходимости отрегулируйте скребок винтом (D).

ОЧИСТКА БАКА, ПОПЛАВКОВОЙ КАМЕРЫ И ПРОВЕРКА УПЛОТНИТЕЛЬНОЙ КРЫШКИ

1. Переместите машину на горизонтальную поверхность.
2. Убедитесь, что машина выключена и ключ зажигания (40) был извлечен.
3. Откройте крышку бака грязной воды (А, Рисунок 23) в положение на 90 градусов, где она может быть вынута из бака, а затем выньте поплавковую камеру (Р) из бака.
4. Очистите крышку бака грязной воды (А), бак грязной воды (В), очистите бак для воды (С) и рамку-держатель поплавкового фильтра (Е). Опорожните бак грязной воды при помощи дренажного шланга (15).
5. При необходимости, следуйте символам "ОТКРЫТЬ" и "ЗАКРЫТЬ", как показано на Рис. 23, чтобы снять нижнюю крышку (F) поплавкового фильтра, а затем очистите поплавок (D), рамку-держатель фильтра (E) и губку фильтра (I). После очистки, зафиксируйте поплавок (D) в рамке-держателе фильтра (E), а затем совместите метку паза (L) нижней крышки (F) поплавкового фильтра с меткой паза (L) рамки-держателя поплавкового фильтра (E). Закрутите плотно нижнюю крышку поплавкового фильтра, и закрепите губку фильтра (I) в рамке-держателе поплавкового фильтра (E). Наконец, подключите его к патрубку (M).
6. Проверьте целостность уплотнительной резинки бака.

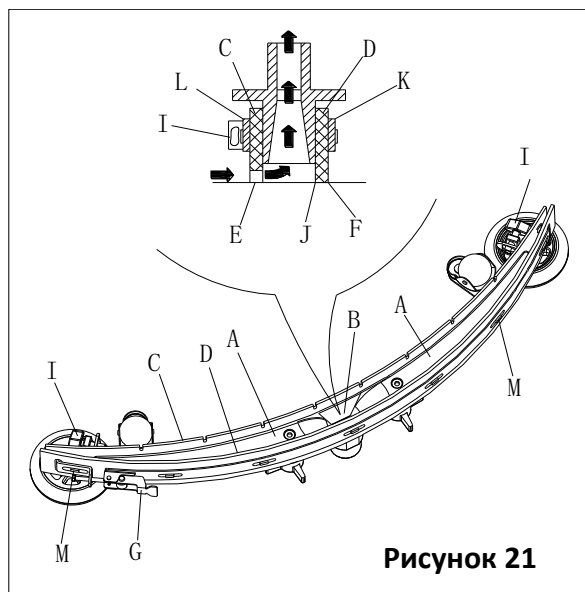


Рисунок 21

ПРИМЕЧАНИЕ

Уплотнительная резинка бака (G), необходима для создания вакуума внутри бака, когда вакуумный мотор работает. Уплотнение должно быть герметичным для эффективного сбора воды.

7. Проверьте уплотнительную резинку (G) на герметичность. При необходимости, выньте уплотнительную резинку бака из паза (H) и замените ее. Установите новую уплотнительную резинку, как показано на Рис. 23, соединение должно состыковываться в средней зоне.
8. Закройте крышку бака грязной воды (А).

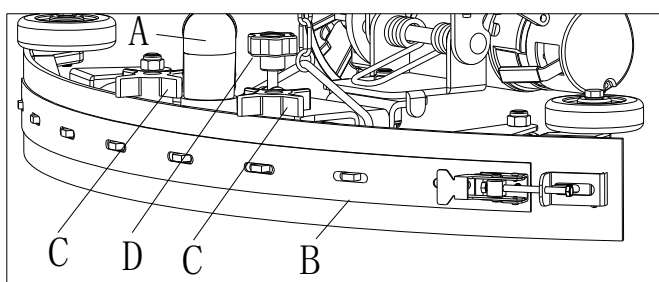


Рисунок 22

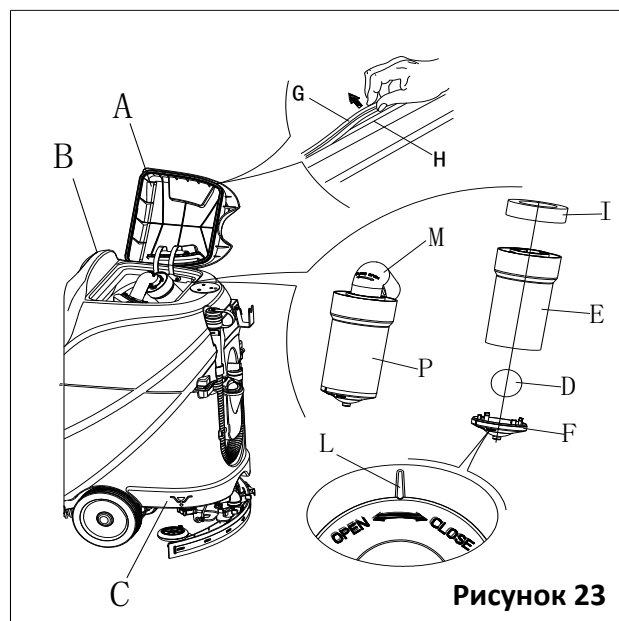


Рисунок 23

ПРОВЕРКА/ЗАМЕНА ПЛАВКОГО ПРЕДОХРАНИТЕЛЯ

1. Поверните ключ зажигания (D, Рисунок 24) в положение "ВЫКЛ".
2. Отсоедините кабель подключения батареи.
3. Отвинтите винты (C) на панели управления, а затем переверните плату, чтобы найти предохранитель (A и B).
4. Проверьте/замените предохранители:
 - A) F1 является маломощным предохранителем схемы (5A)
 - B) F3 является предохранителем системы снятия щетки (20A)
5. После того, как проверка/замена проведена, повторно соберите в обратном порядке.
6. Проверьте или переустановите защиту от перегрузки мотора.
 - E) F5 является защитой вакуумного мотора от перегрузки (30A)
 - F) F4 является защитой мотора двигателя от перегрузки (30A)
 - G) F2 является защитой мотора щетки от перегрузки (30A)

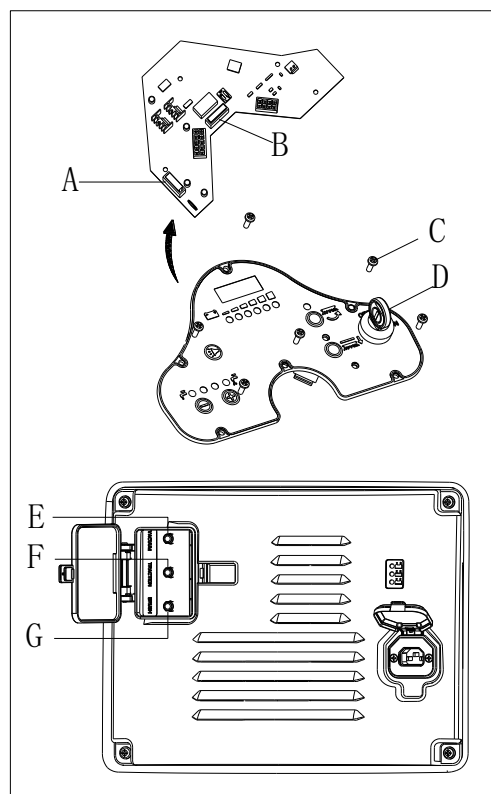


Рисунок 24

ПРИНАДЛЕЖНОСТИ/ДОПОЛНИТЕЛЬНОЕ ОБОРУДОВАНИЕ

В дополнение к стандартным компонентам, машина может быть оснащена следующими аксессуарами / дополнительным оборудованием, в зависимости от специального использования машины.

Для получения дополнительной информации по дополнительным аксессуарам, обратитесь к уполномоченному дилеру компании.

Принадлежности/Дополнительное Оборудование

Смотрите раздел "Список деталей"

1. ГЕЛЕВЫЕ / AGM батареи.
2. ПЭДЫ и ЩЕТКИ различной жесткости

УСТРАНЕНИЕ НЕПОЛАДОК

Неполадка	Возможные причины	Решение
Моторы не работают; сигнальная лампа не включена (C9)	Разъем батареи отключен	Подсоедините разъем батареи
	Батареи полностью разряжены	Зарядите батареи
Машина не работает, красная сигнальная лампа емкости батареи включена (C8)	Уровень батарей слишком низкий	Зарядите батареи
Машина не едет вперед / назад	Печатная плата управления неисправна	Замените печатную плату управления
	Неисправность контроллера мотора двигателя	Смотрите "ИНФОРМАЦИЯ ОБ ИНДИКАТОРЕ ОШИБКИ МОТОРА ДВИГАТЕЛЯ"
	Оператор не на сиденье	Сядьте на сиденье
	Скребок не поднимается во время движения машины в обратном направлении	Поднимите скребок
Мотор щетки не работает	Печатная плата управления неисправна	Замените печатную плату управления
	Перегрузка мотора щетки	Используйте щетку с мягкой щетиной, которая подходит для очистки, и переустановите защиту от перегрузки мотора щетки
	Неисправность контактора мотора щетки	Свяжитесь с сервисом
	Износ угольных щеток мотора щетки	Свяжитесь с сервисом
	Посторонние предметы мешают вращению щетки	Очистите щетку
Мотор двигателя не работает	Светится лампочка неисправности мотора двигателя	Смотрите "ИНФОРМАЦИЯ ОБ ИНДИКАТОРЕ ОШИБКИ МОТОРА ДВИГАТЕЛЯ"

	Мотор двигателя перегружен	Переустановите защиту мотора двигателя от перегрузки и проверьте мотор двигателя/схему
Вакуумный мотор не работает	Вакуумный мотор перегружен	Переустановите защиту вакуумного мотора от перегрузки и проверьте вакуумный мотор
	Реле вакуумного мотора неисправно	Свяжитесь с сервисом
	Неисправность платы управления	Замените плату управления
Недостаточное всасывание, пол не может быть высушен	Бак грязной воды полный	Опорожните бак грязной воды
	Плохое соединение сливного шланга и скребка	Правильно соедините сливной шланг и скребок
	Поплавковый шарик фильтра заблокирован	Очистите поплавок шарик фильтра и проверьте состояние положения поплавок шарика
	Скребок загрязнен или изношен	Проверьте и очистите скребок
	Крышка бака грязной воды не закрыта должным образом, или прокладка повреждена, или изгиб трубки засорен	Закройте крышку правильно, или замените прокладку, или очистите изгиб трубки
	Бак грязный	Очистите бак грязной воды
	Фильтр раствора грязный	Очистите фильтр
Недостаточное количество моющего средства для щетки	Индикатор пустого бака раствора включен	Наполните бак моющего средства
	Бак моющего средства слишком грязный	Очистите бак моющего средства
	Есть мусор под лезвием скребка	Уберите мусор
Скребок оставляет царапины на полу	Лезвие скребка изношено, с трещинами, выработано	Замените лезвие скребка
	Скребок не отрегулирован	Отрегулируйте балансировку скребка
	Тормоз мотора двигателя неисправен	Тормоз заблокирован

ИНФОРМАЦИЯ ОБ ИНДИКАТОРЕ ОШИБКИ МОТОРА ДВИГАТЕЛЯ

СВЕТОДИОДНЫЕ КОДЫ		НЕИСПРАВНОСТЬ	ВОЗМОЖНАЯ ПРИЧИНА
1.1	○○	ТЕПЛОВАЯ НЕИСПРАВНОСТЬ	1. Температура >80°C или < -10°C. 2. Чрезмерная нагрузка на аппарат. 3. Работа в экстремальных условиях. 4. Электромагнитный тормоз не отпущен.
1.2	○○○	НЕИСПРАВНОСТЬ ДРОССЕЛЯ	1. Входной провод дросселя открыт или короткое замыкание. 2. Чаша дросселя неисправна. 3. Выбран неправильный тип дросселя.
1.3	○○○○	НЕИСПРАВНОСТЬ СКОРОСТНОЙ ЧАШИ	1. Провод(а) чаши ограничения скорости сломаны или короткое замыкание. 2. Сломанная чаша ограничения скорости.
1.4	○○○○○	НЕИСПРАВНОСТЬ НЕХВАТКИ НАПЯЖЕНИЯ	1. Напряжение батареи <17 вольт. 2. Плохое соединение батареи или контроллера.
1.5	○○○○○○	НЕИСПРАВНОСТЬ ПЕРЕНАПЯЖЕНИЯ	1. Напряжение батареи >31 вольт. 2. Аппарат работает с прикрепленным зарядным устройством. 3. Периодическое подключение батареи.
2.1	○○○	НЕИСПРАВНОСТЬ ОБЩЕГО ВЫКЛЮЧЕНИЯ	1. Главный контактор двигателя не удалось открыть.
2.3	○○○○○	ОБЩАЯ НЕИСПРАВНОСТЬ *	1. Главный контактор приварен или застрял в открытом состоянии. 2. Ошибка главного контактора двигателя.

2.4	☐☐☐☐☐☐☐	НЕИСПРАВНОСТЬ ОБЩЕГО ВКЛЮЧЕНИЯ	1. Главный контактор двигателя не удалось закрыть.
3.1	☐☐☐☐	НЕИСПРАВНОСТЬ ПРОВОДКИ *	1. Неотрегулированный дроссель. 2. Сломанная чаша дросселя или механизм дросселя.
3.2	☐☐☐☐☐	НЕИСПРАВНОСТЬ ВКЛЮЧЕНИЯ ТОРМОЗА	1. Короткое замыкание электромагнитного тормоза двигателя. 2. Катушка электромагнитного тормоза открыта.
3.3	☐☐☐☐☐☐	НЕИСПРАВНОСТЬ ПРЕДВАРИТЕЛЬНОЙ ЗАРЯДКИ *	1. Короткое замыкание тормоза двигателя. 2. Схема предварительной зарядки повреждена. 3. МОП-транзистор неисправен.
3.4	☐☐☐☐☐☐☐	НЕИСПРАВНОСТЬ ВЫКЛЮЧЕНИЯ ТОРМОЗА	1. Электромагнитный тормоз двигателя открыт. 2. Короткое замыкание катушки электромагнитного тормоза.
3.5	☐☐☐☐☐☐☐☐	НЕИСПРАВНОСТЬ ВПЭ	1. Неправильная последовательность дросселя и KSI, толчок, или тормозят входы. 2. Неотрегулированная чаша дросселя.
4.1	☐☐☐☐☐	ТОКОЧУВСТВИТЕЛЬНАЯ НЕИСПРАВНОСТЬ *	1. Короткое замыкание в моторе или в проводке мотора. 2. Неисправность контроллера.
4.2	☐☐☐☐☐☐	ВЫХОД ИЗ СТРОЯ ОБОРУДОВАНИЯ *	1. Напряжение мотора не соответствует запросу дросселя. 2. Короткое замыкание в моторе или в проводке мотора. 3. Неисправность контроллера.
4.3	☐☐☐☐☐☐☐	НЕИСПРАВНОСТЬ КОНТРОЛЬНЫХ СУММ ЭППП †	1. Неисправность или поломка ЭППП.
4.5	☐☐☐☐☐☐☐☐☐	НЕИСПРАВНОСТЬ ОТСОЕДИНЕНИЯ БАТАРЕИ *	1. Батарея не подсоединена. 2. Плохое соединение с терминалами батареи.

*=Необходимы клавиши переключения цикла, чтобы очистить.

† =Необходимо использовать программатор для очистки, следующим образом: выберите меню программы, измените значение данных любого параметра, ключи цикла переключения.



ПРИМЕЧАНИЕ

Машина, которая оснащена встроенным зарядным устройством не будет работать, если есть неисправность бортового зарядного устройства, пожалуйста, свяжитесь с нашим квалифицированным центром техобслуживания для помощи.

УТИЛИЗАЦИЯ

Утилизируйте машину квалифицированным учреждением по отходам.

Перед утилизацией машины, пожалуйста, разберите машину на детали по соответствующим законам и нормативным актам, и распределите соответствующим образом.

- Батарея
- Щетка/держатель пэда
- Пластиковый шланг и пластиковые части
- Электрические и электронные компоненты (*)

(*) Пожалуйста, обратитесь в наш сервисный центр, чтобы утилизировать любой из электрических и электронных компонентов.

OBSAH

ÚVOD	400
OBSAH A CIEĽ PRÍRUČKY	400
AKO SKLADOVAŤ TÚTO PRÍRUČKU	400
VYHLÁSENIE O ZHODE	400
PRÍSLUŠENSTVO A ÚDRŽBA	400
ZMENA A VYLEPŠENIE	400
ROZSAH POUŽITIA.....	400
IDENTIFIKAČNÉ ÚDAJE ZARIADENIA	400
PRENÁŠANIE A ROZBALENIE	400
 BEZPEČNOSŤ	 401
SYMBOLY UVEDENÉ V POUŽÍVATEĽSKEJ PRÍRUČKE	401
VŠEOBECNÉ BEZPEČNOSTNÉ POKYNY	401
 POPIS STROJA	 403
ŠTRUKTÚRA STROJA.....	403
OVLÁDACÍ PANEL	404
INFORMÁCIE DISPLEJA LED OBRAZOVKY	404
ZOBRAZENIE INDIKÁTOROV NABÍJAČKY	404
TECHNICKÉ PARAMETRE	405
SCHÉMA ZAPOJENIA	406
 PREVÁDZKOVÁ PRÍRUČKA	 408
VLOŽENIE A NASTAVENIE NOVEJ BATÉRIE ZARIADENIA	408
VLOŽENIE BATÉRIE A NASTAVENIE TYPU BATÉRIE (WET ALEBO GEL/AGM)	408
NÚDZOVÉ ZABRZDENIE	409
NAMONTOVANIE A ODMONTOVANIE KEFY/MOPU	409
NASTAVENIE ROVNOVÁHY LIŠTY	410
Naplnenie nádrže na roztok.....	410
SPUSTENIE A ZASTAVENIE STROJA	411
CHOD STROJA (UMÝVANIE A SUŠENIE)	412
VYPRÁZDNENIE NÁDRŽE	413
PO POUŽÍVANÍ STROJA	413
AK JE STROJ DLHO NEČINNÝ	413
POUŽITIE PRVÝKRÁT	414
 ÚDRŽBA	 414
TABUĽKA PLÁNU ÚDRŽBY	414
NABÍJANIE BATÉRIÍ.....	414
ČISTENIE KEFY/PADU	415
ČISTENIE FILTRA NA ROZTOK	416
ČISTENIE LIŠTY	416
KONTROLA A VÝMENA ČEPELÍ LIŠTY	416
ČISTENIE NÁDRŽE A SACEJ MRIEŽKY S PLAVÁKOM A KONTROLA TESNENIA VEKA	417
KONTROLA/VÝMENA POISTKY	418
PRÍSLUŠENSTVO/MOŽNOSTI	418
 RIEŠENIE PROBLÉMOV	 418
LIKVIDÁCIA	420

ÚVOD



POZNÁMKA

Čísla v zátvorke sa vzťahujú na komponenty zobrazené v kapitole Popis zariadenia.

OBSAH A CIEĽ PRÍRUČKY

Cieľom tejto Používateľskej príručky je poskytnúť obsluhujúcej osobe informácie nevyhnutné k správne a bezpečnému používaniu zariadenia. Obsahuje informácie týkajúce sa technických údajov, prevádzky, skladovania, údržby, náhradných súčiastok a likvidácie.

Pred vykonaním akéhokoľvek kroku na zariadení si musia operátori a kvalifikovaní technici pozorne prečítať túto Príručku. V prípade akýchkoľvek otázok týkajúcich sa tejto príručky kontaktujte servisné centrum našej spoločnosti.

Operátori nesmú vykonávať úkony, na ktoré sú oprávnení len kvalifikovaní technici. Naša spoločnosť nenesie zodpovednosť za žiadne škody vyplývajúce z nedodržania tohto zákazu.

AKO SKLADOVAŤ TÚTO PRÍRUČKU

Príručku so stručným návodom odkladajte v puzdre do blízkosti zariadenia, v dostatočnej vzdialenosti od kvapalín a iných látok, ktoré by mohli spôsobiť jej poškodenie.

VYHLÁSENIE O ZHODE

Vyhlasenie o zhode je dodávané spolu so zariadením, a certifikuje zhodu zariadenia s platnými právnymi predpismi.



NOTE

The copies of the original declaration of conformity are provided together with the machine documentation.

PRÍSLUŠENSTVO A ÚDRŽBA

Akúkoľvek operáciu, údržbu alebo opravu smie vykonať len kvalifikovaný personál, alebo servisné centrum vymenované našou spoločnosťou. Smú sa používať LEN originálne alebo schválené súčiastky.

Kontaktujte službu zákazníkom našej spoločnosti, ak potrebujete kúpiť príslušenstvo alebo náhradné diely.

ZMENA A VYLEPŠENIE

Usilujeme sa o neustále zlepšovanie našich výrobkov, spoločnosť si vyhradzuje právo na zmeny a vylepšenia zariadenia bez predchádzajúceho upozornenia.

ROZSAH POUŽITIA

Podlahový čistič je určený na komerčné a priemyselné použitie. Je vhodný na čistenie hladkých a spevnených povrchov za použitia kvalifikovanou osobou v bezpečných podmienkach. Nie je vhodný na vonkajšie použitie, čalúnenie alebo drsné povrchy.

IDENTIFIKAČNÉ ÚDAJE ZARIADENIA

Sériové číslo a názov modelu zariadenia sú uvedené na sériovom štítku.

Táto informácia je užitočná. Z tabuľky nižšie si vypíšte identifikačné údaje zariadenia pre prípad objednávania náhradných dielov.

MODEL ZARIADENIA.....
SÉRIOVÉ ČÍSLO ZARIADENIA.....

PRENÁŠANIE A ROZBALENIE

Po doručení zariadenia sa uistite, že je baliaci materiál neporušený a zariadenie nepoškodené. V prípade akejkoľvek škody informujte kuriéra a pred prevzatím tovaru si vyhradte právo na kompenzáciu za škodu.

Pri rozbaľovaní zariadenia nasledujte pokyny na baliacom materiáli.

Skontrolujte, či balenie obsahuje nasledujúce položky:

1. Technická dokumentácia vrátane používateľskej príručky a príručka k palubnej nabíjačke, ak je palubná nabíjačka vo vybavení.
2. Kábel k nabíjačke, ak je palubná nabíjačka vo vybavení.

BEZPEČNOSŤ

Nasledujúce symboly upozorňujú na potenciálne nebezpečné situácie. V záujme ochrany osôb a majetku si ždy pozorne prečítajte tieto informácie a vykonajte všetky potrebné opatrenia.

SYMBOLY UVEDENÉ V POUŽÍVATEĽSKEJ PRÍRUČKE



NEBEZPEČENSTVO!

Upozorňuje na nebezpečnú situáciu s rizikom usmrtenia operátora.



VAROVANIE!

Upozorňuje na potenciálne riziko zranenia osôb.



VÝSTRAHA!

Označuje výstrahu alebo poznámku súvisiacu s dôležitými alebo užitočnými funkciami. Venujte zvýšenú pozornosť odstavcu s týmto symbolom.



POZNÁMKA

Poukazuje na poznámku týkajúcu sa dôležitých alebo užitočných funkcií.



KONZULTÁCIA

Ukazuje na nevyhnutnosť pozrieť si Používateľskú príručku pred vykonaním akéhokoľvek úkonu.

VŠEOBECNÉ BEZPEČNOSTNÉ POKYNY

Špecifické varovania a výstrahy upozorňujúce na potenciálne zranenie osôb a poškodenie zariadenia.



NEBEZPEČENSTVO!

- Toto zariadenie musí prevádzkovať poučená a autorizovaná osoba podľa usmernení v príručke.
- Pred vykonaním akéhokoľvek čistenia, údržby, opravy alebo zmeny si pozorne prečítajte všetky pokyny, uistite sa, že ste VYPLI zariadenie a odpojili ste batériu.
- Neprevádzkujte zariadenie v blízkosti toxických, nebezpečných, horľavých a/alebo výbušných práškov, kvapalín alebo výparov. Toto zariadenie nie je vhodné na zber nebezpečných práškov.
- Pri práci v blízkosti elektrických súčiastok nenoste ozdobné šperky.
- Nepracujte pod zdvihnutým zariadením bez jeho podopretia bezpečnostnými podperami.
- Pri používaní olovených (VLHKÝCH) batérií môžu tieto počas bežného používania vypúšťať horľavé plyny - iskry, plamene, dymiace materiály, ako aj zdroje žiarenia, svetla a ohňa udržiavajte v bezpečnej vzdialenosti od batérií.
- Pri nabíjaní olovených (VLHKÝCH) batérií môžu tieto vypúšťať vodíkové plyny, ktoré môžu spôsobiť výbuch. Zabezpečte, aby bolo prostredie nabíjania dobre vetrané a ďalej od otvoreného ohňa.

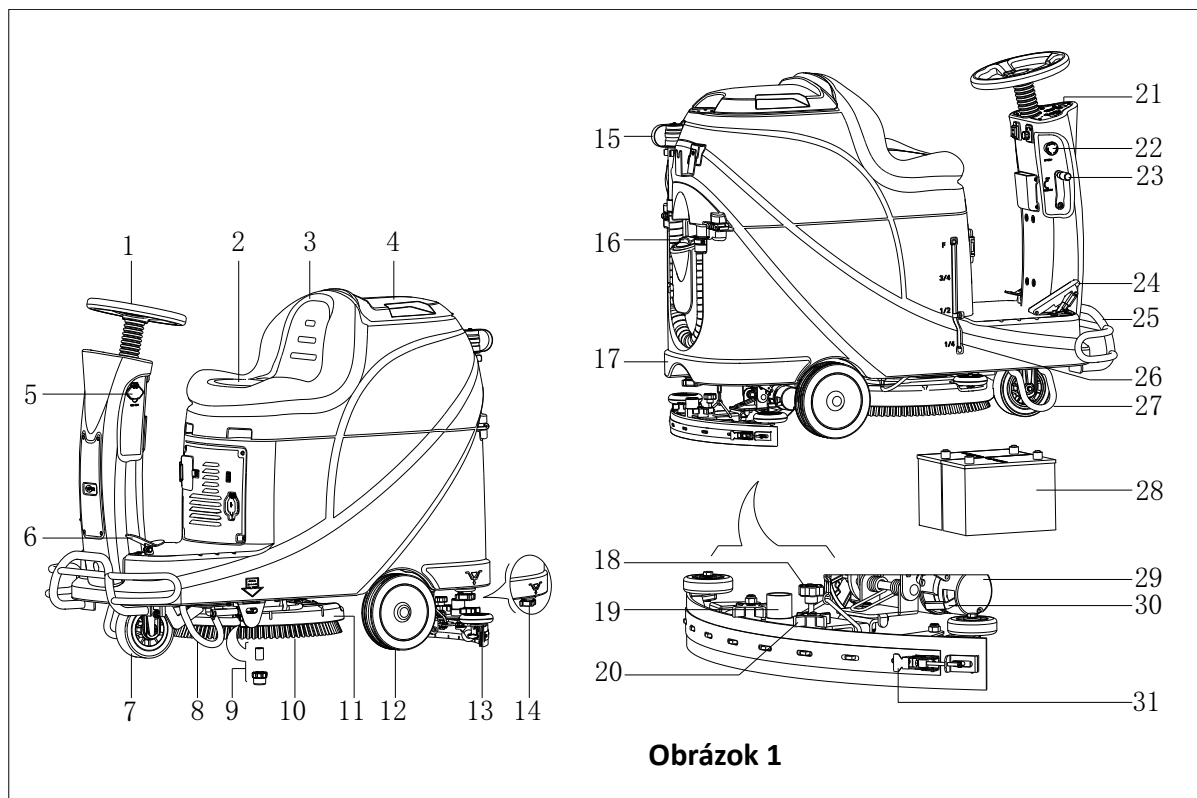


VAROVANIE!

- Pred každým použitím dôkladne skontrolujte zariadenie. Uistite sa, že boli všetky súčiastky správne zmontované. V opačnom prípade hrozí riziko zranenia osôb a škôd na majetku.

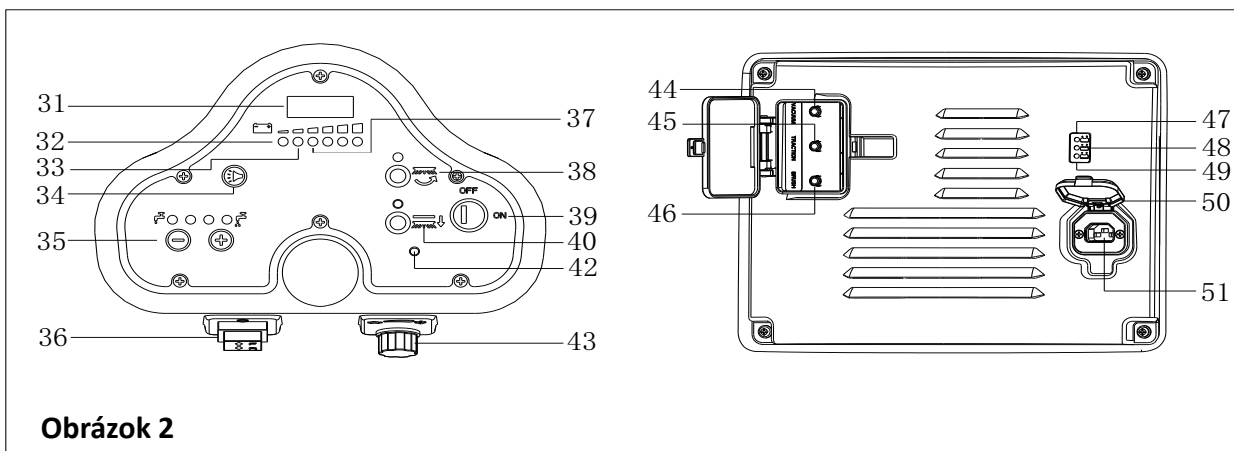
- Pred používaním nabíjačky sa uistite, že hodnota frekvencie a napätia na sériovom štítku zariadenia zodpovedá vlastnostiam elektrickej siete.
- Nikdy nepremiestňujte zariadenie jeho ťahaním za kábel nabíjačky. Nenechávajte kábel položený cez otvorené dvere, ani na ostrých hranách alebo rohoch. Neprechádzajte so zariadením cez kábel nabíjačky batérie. Držte kábel nabíjačky batérie ďalej od horúcich povrchov.
Nenabíjajte batérie, ak sú kábel alebo zástrčka kábla batérie poškodené.
- Aby ste znížili riziko požiaru, poranenia elektrickým prúdom alebo zranenia, uistite sa, že zariadenie vypnete, predtým, než odídete.
- Používajte a skladujte zariadenie v interiéri v suchom prostredí, nie je povolené používať ho vonku.
- Skladovacia aj prevádzková teplota zariadenia musí byť medzi 0 °C a +40 °C, vlhkosť vzduchu musí byť medzi 30% a 95%.
- Nepoužívajte zariadenie na šikmých plochách s prevýšením vyšším, ako je uvedené v technických údajoch.
- Pri používaní a narábaní s prostriedkami na čistenie podlahy dodržiavajte pokyny na štítkoch na obaloch týchto prostriedkov a noste vhodné rukavice a ochranné prostriedky.
- Používajte kefy a pady dodané so zariadením alebo definované v tejto príručke. Používaním iných kief alebo padov môžete znížiť bezpečnosť.
- V prípade nesprávneho fungovania zariadenia sa uistite, že to nie je v dôsledku nedostatočnej údržby. Ak je to potrebné, požiadajte o pomoc autorizovanú osobu alebo autorizované Servisné centrum.
- Vykonajte všetky nevyhnutné opatrenia, aby sa vlasy, šperky a voľné oblečenie nezachytili do pohyblivých častí zariadenia.
- Nepoužívajte zariadenie na obzvlášť prašných miestach.
Neumývajte zariadenie priamym alebo stlačeným prúdom vody, ani korozívnymi zmesami.
- Nevrážajte do regálov alebo lešení, predovšetkým tam, kde je riziko padajúcich predmetov.
- Neopierajte nádoby s tekutinami o zariadenie, používajte príslušný držiak na nádoby.
- Aby ste sa vyhli poškodeniu podlahy, nenechávajte kefu/pad pracovať, keď zariadenie nie je v pohybe.
- V prípade ohňa použite suchý práškový hasiaci prístroj. Nepoužívajte tekuté hasiace prístroje.
- Neodstraňujte ani neupravujte nálepky na zariadení.
- Nezasahujte do bezpečnostných krytov zariadenia a dôsledne dodržiavajte pokyny pre bežnú údržbu.
- Venujte pozornosť pri prevoze zariadenia, keď je teplota pod bodom mrazu. Voda v nádrži na špinavú vodu a v hadiciach by mohla zamrznúť a spôsobiť na zariadení vážne škody.
- Ak je potrebné vymeniť náhradné diely, objednajme ORIGINÁLNE náhradné diely od Autorizovaných predajcov.
- Vráťte zariadenie do Servisného centra, ak nepracuje ako zvyčajne alebo je poškodené, skladované vonku alebo spadlo do vody.
- Na zaistenie správneho a bezpečného fungovania zariadenia musí vykonať plánovanú údržbu podľa príslušnej kapitoly tohto návodu autorizovaná osoba alebo autorizované Servisné centrum.
- Zariadenie musí byť riadne zlikvidované kvôli prítomnosti škodlivých toxických materiálov (batérie a pod.), ktoré podliehajú normám vyžadujúcim likvidáciu v špeciálnych strediskách (viď kapitola Likvidácia).
- Toto zariadenie je čistiaci automat, nie je určené na žiadny iný účel.
- Vždy udržiavajte otvory čisté. Nepoužívajte zariadenie, ak sú otvory upchaté.
- Zariadenie používajte len tam, kde je riadne osvetlenie.
- Toto zariadenie nie je určené na používanie osobami so zníženými fyzickými, zmyslovými alebo duševnými schopnosťami, ktoré majú nedostatok skúseností alebo vedomostí, pokiaľ nemajú dozor alebo nedostali inštrukciú ohľadom používania zariadenia od osoby zodpovednej za ich bezpečnosť.
- Počas používania v blízkosti detí je nevyhnutná veľká opatrnosť.
- Deti musia byť pod dozorom, aby sa zaistilo, že sa so zariadením nehrajú.
- Počas používania tohto zariadenia buďte opatrní, aby ste nespôsobili škody na osobách ani predmetoch.

POPIS STROJA ŠTRUKTÚRA STROJA (Obrázok 1)



Obrázok 1

- | | |
|------------------------------------|--|
| 1. Volant | 17. Nádrž na roztok |
| 2. Vankúš sedadla | 18. Nastavovací gombík lišty |
| 3. Nádrž na špinavú vodu | 19. Sacia hadica |
| 4. Vrchnák nádrže na špinavú vodu | 20. Matica lišty |
| 5. USB nabíjací port | 21. Ovládací panel |
| 6. Pedál | 22. Núdzový vypínač |
| 7. Predné koleso | 23. Zdvíhacia/spúšťacia páka stieracej lišty |
| 8. Ľavý podporný držiak | 24. Zrýchľovací pedál |
| 9. Filter roztoku | 25. Predný nárazník |
| 10. Kefa | 26. Indikátor hladiny roztoku |
| 11. Doska kefy | 27. Pravý podporný držiak |
| 12. Zadné koleso | 28. Batéria |
| 13. Stieracia lišta | 29. Pohonný motor |
| 14. Kryt vývodu roztoku | 30. Držiak zaisťovacieho klina |
| 15. Odtoková hadica odpadovej vody | 31. Závora lišty |
| 16. Kryt vstupu pre vodu | |

POPIS STROJA**OVLÁDACÍ PANEL (Obrázok 2)****Obrázok 2**

- | | |
|---|---|
| 31. LED obrazovka | 42. Výstražné svetlo pohonu motora |
| 32. Varovné svetielko vybitej batérie (červené) | 43. Gombík na nastavenie rýchlosti |
| 33. Indikátor dopoly nabitej batérie (žltá) | 44. Ochrana pred preťažením sacieho motora |
| 34. Tlačidlo klaksóna | 45. Ochrana pred preťažením pohonu motora |
| 35. Tlačidlo nastavenia množstva roztoku | 46. Ochrana pred preťažením motora kefy |
| 36. Prepínač vpred-vzad | 47. Indikátor plne nabitej batérie (zelená) |
| 37. Indikátor vybitej batérie (zelená) | 48. Indikátor dopoly vybitej batérie (žltá) |
| 38. Tlačidlo kefy | 49. Indikátor nabíjania batérie (červená) |
| 39. Kľúčový vypínač | 50. Kryt zásuvky nabíjačky |
| 40. Tlačidlo uvoľnenia kefy | 51. Zásuvka nabíjačky |

INFORMÁCIE DISPLEJA LED OBRAZOVKY

STOP– Stroj sa nemôže pohnúť, kefa zastaví prácu, alebo sací motor môže pracovať

(00012.3) – Celkový pracovný čas stroja je 12,3 hodín

L0-(18) – Napätie batérie nižšie ako 18 V

U-(25.5) – Napätie batérie je 25,5 V

ERR-01 – Lišta nie je nadvihnutá, keď sa stroj otočí vzad

ZOBRAZENIE INDIKÁTOROV NABÍJAČKY (Obrázok 2)

1. Na začiatku nabíjania, červená LED dióda (49) nabíjačky normálne svieti. Je to prvé štádium nabíjania.
2. Po určitom čase nabíjania sa červená kontrolka (49) vypne, zapne sa žltá kontrolka (48), toto je druhé štádium nabíjania.
3. Keď je nabíjanie dokončené, žltá kontrolka (48) sa vypne, zelená kontrolka (47) sa zapne a indikuje, že batéria je úplne nabitá.

**POZNÁMKA**

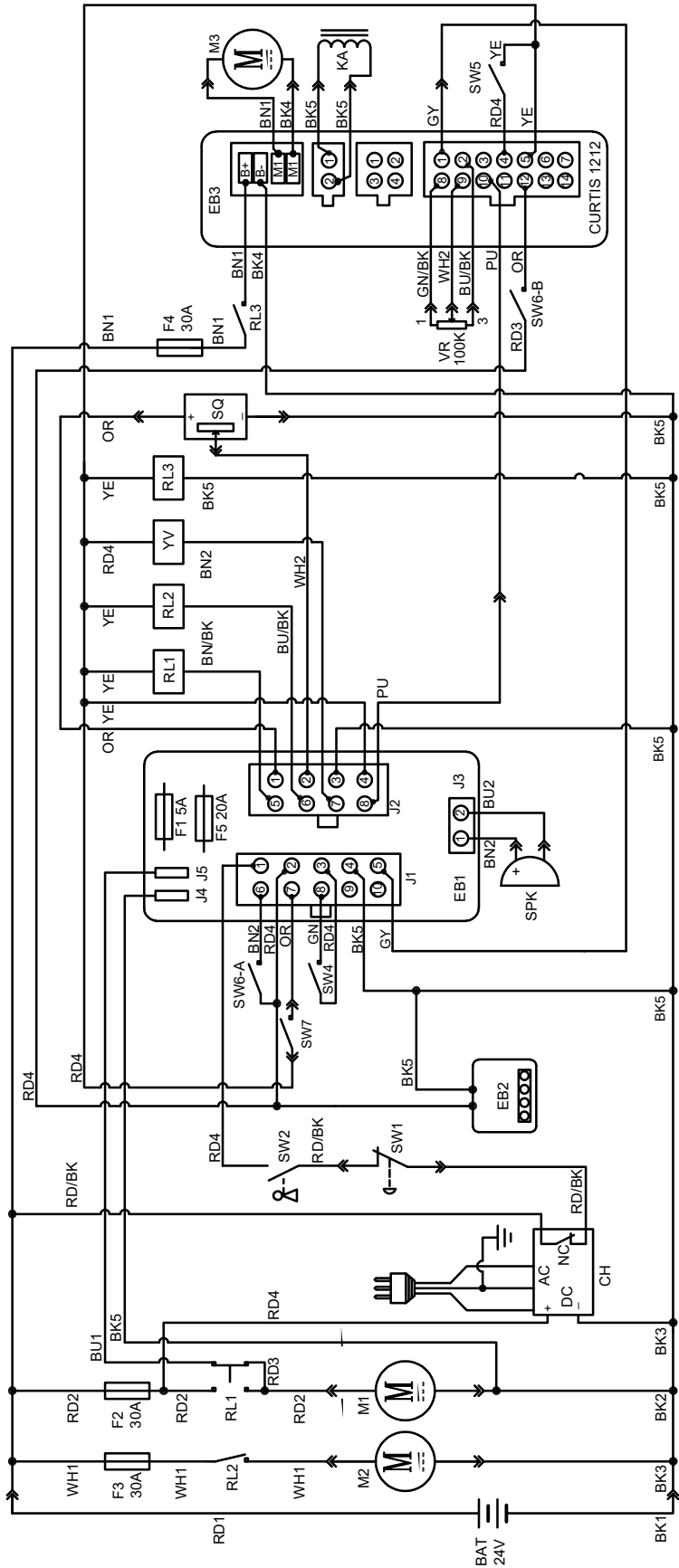
V procese nabíjania, ak je žltá kontrolka (48) zapnutá, môže to byť spôsobené: Batéria a nabíjačka sa k sebe nehodia, batéria nie je riadne pripojená alebo je výstup skratovaný.

Červené blikajúce svetlo nabíjačky môže byť spôsobené vnútorným skratom nabíjačky.

TECHNICKÉ PARAMETRE

MODEL	AS530R	
Rozmery balenia (D x Š x V)	Mm	1470*730*1310
Výška stroja	Mm	1120
Dĺžka stroja	Mm	1360
Šírka stroja (bez lišty)	Mm	580
Hmotnosť stroja s prázdnyimi nádržami (bez batérií)	Kg	140
Brutto hmotnosť stroja (BHS)	Kg	270
Prepravná hmotnosť	Kg	245
Kapacita nádrže na roztok	litrov	72
Kapacita nádrže na špinavú vodu	litrov	73
Výkon motora vysávača	Wattov	400
Kapacita sania	mm H ₂ O	1223
Stúpavosť (max)	%	10
Priemer predných kolies	Mm	φ175
Priemer zadných kolies	Mm	φ230
Hlučnosť	dB(A)	69
Prietok roztoku/vody	L/min	0.84-2.0
Pracovná šírka	Mm	530
Šírka stieracej lišty	Mm	730
Priemer kefy/padu	Mm	530
Výkon motora kefy	Wattov	450
Rýchlosť kefy	Rpm	160
Tlak kefy/ padu (max)	Kg	23
Výkon hnacieho motora	Wattov	300W
Pracovná rýchlosť	Km/h	5.5km/h
Napätie	V	24V
Batéria (voliteľné)	Ah	2x100AH (20 hodín)
Nabíjačka batérií (voliteľné)	V/A	24V 10A
Rozmery priehradky na batérie (D x Š x V)	Mm	350*380*300
Vlastnosti USB nabíjačky	V/A	5V, 0.8A

SCHÉMA ZAPOJENIA



WIRE ROD		WIRE ROD	
RD1	RED/6AWG	BN1/BK	BROWN/BLACK / 20AWG
RD2	RED/10AWG	BU1	BLUE/18AWG
RD3	RED/18AWG	BU2	BLUE/20AWG
RD4	RED/20AWG	BU/BK	BLUE/BLACK / 20AWG
RD/BK	RED/BLACK / 20AWG	GN	GREEN/20AWG
BK1	BLACK/6AWG	GN/BK	GREEN/BLACK /20AWG
BK2	BLACK/10AWG	GY	GRAY/20AWG
BK3	BLACK/12AWG	PU	PURPLE/20AWG
BK4	BLACK/14AWG	OR	ORANGE/20AWG
BK5	BLACK/18AWG	YE	YELLOW/20AWG
BN1	BROWN/14AWG	WH1	WHITE/12AWG
BN2	BROWN/20AWG	WH2	WHITE/20AWG

COMPONENTS		COMPONENTS	
BAT	24V BATTERIES	KA	BRAKE
CH	BATTERY CHARGER	M1	BRUSH MOTOR
EB1	CONTROL PANEL BOARD	M2	VACUUM MOTOR
EB2	USB CHARGING ELECTRONIC BOARD	M3	DRIVE MOTOR
EB3	DRIVE ELECTRONIC BOARD	SW1	EMERGENCY-STOP SWITCH
RL1	BRUSH MOEOR ELECTROM SWITCH	SW2	KEY SWITCH
RL2	VACUUM MOEOR ELECTROM SWITCH	SW4	VACUUM MOTOR SWITCH
RL3	DRIVE SYSTEM ELECTROM SWITCH	SW5	OPTIONAL MODE SWITCH
YV	WATER ELECTROVALVE	SW6-A	OPTIONAL REVERSE SWITCH
F1	CONTROL PANEL BOARD FUSE	SW6-B	OPTIONAL REVERSE SWITCH
F2	BRUSH MOTOR CIRCUIT BREAKER	SW7	SEAT SWITCH
F3	VACUUM MOTOR CIRCUIT BREAKER	SQ	FOOT THROTTLE
F4	DRIVE SYSTEM CIRCUIT BREAKER	SPK	12VDC BUZZER
F5	BRUSH RELEASE FUSE	VR	SPEED POTENTIOMETER

KOMPONENTY		KOMPONENTY	
BAT	24 V BATÉRIE	M1	MOTOR KEFY
CH	NABÍJAČKA BATÉRIE	M2	MOTOR SANIA
EB1	DOSKA OVLÁDACIEHO PANELA	M3	HNACÍ MOTOR
EB2	ELEKTRONICKÁ KARTA USB NABÍJANIA	SW1	NÚDZOVÝ VYPÍNAČ
EB3	ELEKTRONICKÁ KARTA POHONU	SW2	HLAVNÝ PREPÍNAČ
RL1	ELEKTRONICKÝ SPÍNAČ MOTORA KEFY		
RL2	ELEKTRONICKÝ SPÍNAČ MOTORA SANIA	SW4	SPÍNAČ MOTORA SANIA
RL3	ELEKTRONICKÝ SPÍNAČ SYSTÉMU POHONU	SW5	SPÍNAČ VOLITEĽNÉHO REŽIMU
YV	VODNÝ ELEKTROVENTIL	SW6-A	VOLITEĽNÝ SPÍNAČ CÚVANIA
F1	POISTKA DOSKY OVLÁDACIEHO PANELA	SW6-B	VOLITEĽNÝ SPÍNAČ CÚVANIA
F2	ISTIČ MOTORA KEFY	SW7	SPÍNAČ SEDADLA
F3	ISTIČ MOTORA SANIA	SQ	PLYNOVÝ PEDÁL
F4	ISTIČ SYSTÉMU POHONU	SPK	12 VDC BZUČIAK
F5	UVOLŇOVACIA POISTKA KEFY	VR	POTENCIOMETER RÝCHLOSTI
KA	BRZDA		

VALCOVANÝ DRÔT		VALCOVANÝ DRÔT	
RD1	ČERVENÝ/6AWG	BN/BK	HNEDÝ/ČIERNY/20AWG
RD2	ČERVENÝ/10AWG	BU1	MODRÝ/18AWG
RD3	ČERVENÝ/18AWG	BU2	MODRÝ/20AWG
RD4	ČERVENÝ/20AWG	BU/BK	MODRÝ/ČIERNY/20 AWG
RD/BK	ČERVENÝ/ČIERNY/ 20AWG	GN	ZELENÝ/20AWG
BK1	ČIERNY/6AWG	GN/BK	ZELENÝ/ČIERNY/20AWG
BK2	ČIERNY/10AWG	GY	SIVÝ/20AWG
BK3	ČIERNY/12AWG	PU	FIALOVÝ/20AWG
BK4	ČIERNY/14AWG	OR	ORANŽOVÝ/20AWG
BK5	ČIERNY/18AWG	YE	ŽLTÝ/20AWG
BN1	HNEDÝ/14AWG	WH1	BIELY/12 AWG
BN2	HNEDÝ/20AWG	WH2	BIELY/20AWG

PREVÁDZKOVÁ PRÍRUČKA



VAROVANIE!

Venujte zvýšenú pozornosť týmto symbolom v príručke:

- NEBEZPEČENSTVO!
- VAROVANIE!
- VÝSTRAHA!
- KONZULTÁCIA

Za žiadnych okolností nikdy nezakrývajte tieto symboly na zariadení, okamžite ich nahradte, ak sa poškodia.

VLOŽENIE A NASTAVENIE NOVEJ BATÉRIE ZARIADENIA



VAROVANIE!

Ak batérie nie sú správne vložené alebo pripojené, elektrické komponenty zariadenia sa môžu vážne poškodiť.

Batériu musí inštalovať kvalifikovaná osoba. Nastavte nabíjačku batérie (voliteľné) a PCBA stroja podľa typu batérie (WET alebo GEL/AGM).

Pred inštaláciou skontrolujte, či batéria nie je poškodená.

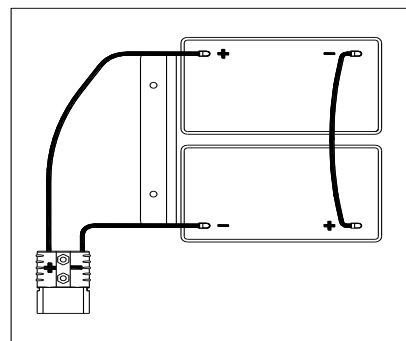
Odpojte konektor batérie a zásuvku nabíjačky batérie.

Manipulujte s batériami veľmi opatrne.



POZNÁMKA

Stroj si vyžaduje dve 12 V batérie, pripojené tak, ako je to na Obrázok 3.



Obrázok 3

Stroj môže byť prevádzkovaný v jednom z týchto režimov batérie:

A) WET alebo GEL/AGM batérie sú už nainštalované a pripravené na použitie

1. Skontrolujte batérie a pripojte konektor batérie k stroju.
2. Vložte kľúčový vypínač (40) a otočte ho na "on" (zap.). Ak sa zelená kontrolka (37) zapne, batérie sú plne nabité na používanie; ak sa zapne žltá alebo červená kontrolka (33 alebo 32), batérie sa musia nabiť.

B) Bez batérií

1. Ak Váš stroj nie je vybavený batériami, zakúpte vhodné batérie [pozri odstavec Technické údaje]. Ohľadom voľby a inštalácie batérie sa obráťte na kvalifikovaného predajcu batérií.
2. Keď sú batérie pripravené, nastavte stroj a nabíjačku batérie podľa typu inštalovaných batérií, potom sa držte postupu uvedeného v nasledujúcom odseku.

VLOŽENIE BATÉRIE A NASTAVENIE TYPU BATÉRIE (WET ALEBO GEL/AGM)

Nastavte elektronickú obvodovú dosku stroja a nabíjačku batérie podľa typu batérie (WET alebo GEL/AGM) podľa krokov nižšie:



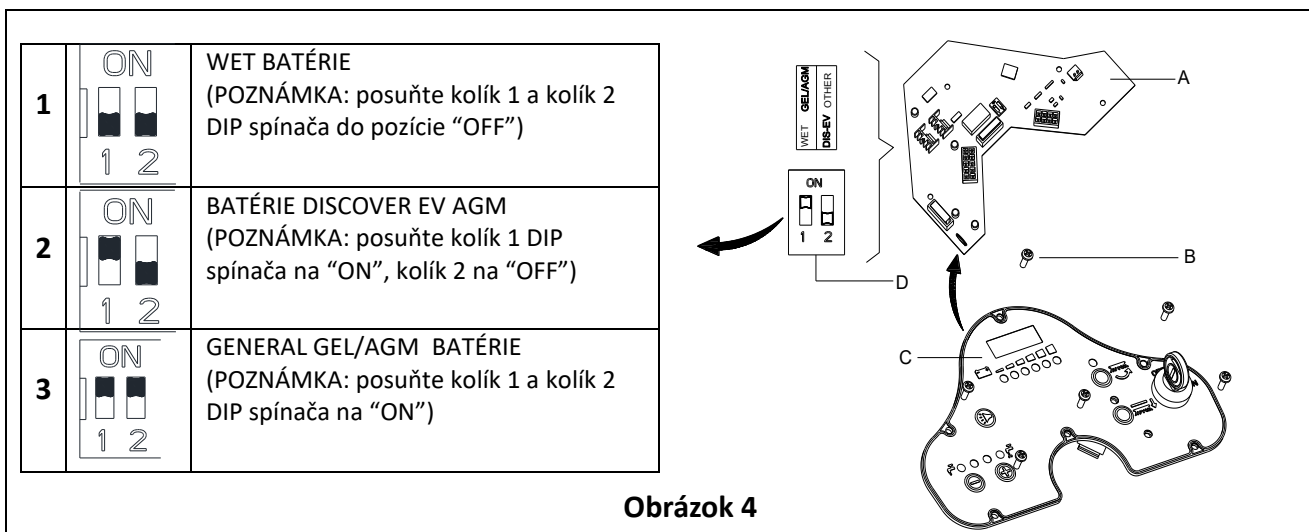
POZNÁMKA

Keď inštalujete nové batérie, držte sa Obrázok 4 až po krok DIP spínač, inak sa môžu batérie poškodiť z dôvodu nesprávneho nastavenia.

Nastavenie stroja

1. Vložte kľúčový vypínač (40) a otočte ho na "ON", počas prvých sekúnd naštartovania stroja dávajte pozor na nasledovné:
 - Ak bliká zelená kontrolka (37), stroj je nastavený na používanie GEL/AGM batérií.
 - Ak bliká žltá kontrolka (33), stroj je nastavený na používanie batérií Discover EV AGM.
 - Ak bliká červená kontrolka (32), stroj je nastavený na používanie WET batérií.
2. Dodržiavajte nasledujúce kroky na zmenu nastavení stroja.
3. Predvolené nastavenie z výroby stroja je na používanie batérií Discover EV AGM. Ak nastavenie korešponduje so zvolenými batériami, choďte rovno na krok 6 alebo pokračujte ďalším krokom.

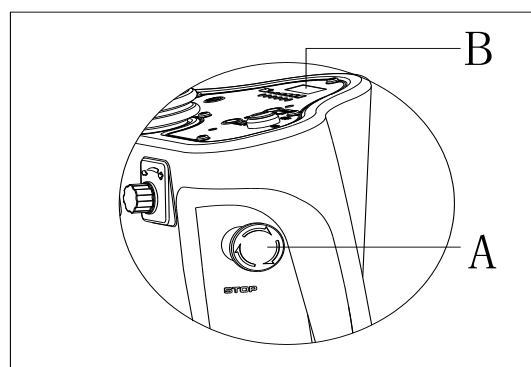
- Odskrutkujte skrutky (B, Obrázok 4) na ovládacom paneli, potom otočte dolu hlavou PCBA (A) na paneli, kde nájdete DIP spínač (D), vykonajte DIP nastavenia podľa Obrázok 4.
- Vykonajte kroky v opačnom poradí, aby ste po dokončení nastavenia kontrolný panel pripevnili, a zatahnete skrutku.



Obrázok 4

Vloženie batérie

- Otvorte vrchnák nádrže na špinavú vodu (4) a skontrolujte, či je nádrž (3) prázdna; ak nie, vyprázdňte ju pomocou odtokovej hadice (15).
- Zatvorte vrchnák nádrže na špinavú vodu (4).
- Opatrne nádrž na špinavú vodu (3) prevráťte.
- Stroj je vybavený káblami vhodnými na nainštalovanie 2 x 12 V batérií. Opatrne vložte batérie do priehradky, potom ich riadne nainštalujte.
- Veďte a pripevnite kábel batérie tak, ako je to na (Obrázok 3), potom poriadne zatahnete maticu na každej svorke batérie.
- Na každú svorku umiestnite ochranný vrchnáčik, potom pripojte konektor batérie.
- Opatrne spustite nádrž na špinavú vodu (3).



Obrázok 5

Nabíjanie batérií

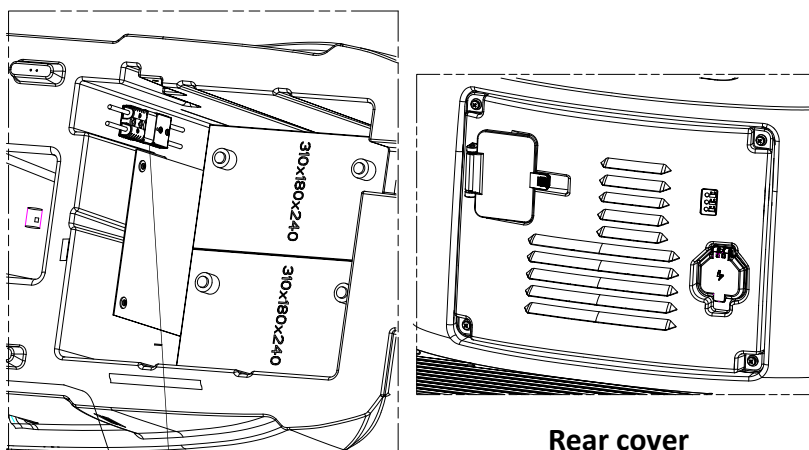
- Nabíjanie batérií. [Pozrite si kapitoly ÚDRŽBA].

Nabíjačka batérií - nastavenie (iba pre zabudovanú nabíjačku, ak je nainštalovaná)

Nabíjačka batérií

Nabíjačka batérií je umiestnená vo vnútri zadného krytu a je pripojená priamo k batériám. Nabíjačka je riadená mikroprocesorom a používa rôzne nabíjacie krivky pre optimálny výkon rôznych typov batérií.

- Odpojte konektor kábla vedúci k batériám.
- Odstráňte zadné kryty.
- Odskrutkujte 4 skrutky (B), a vyberte nabíjačku (A).



Disconnect the connector

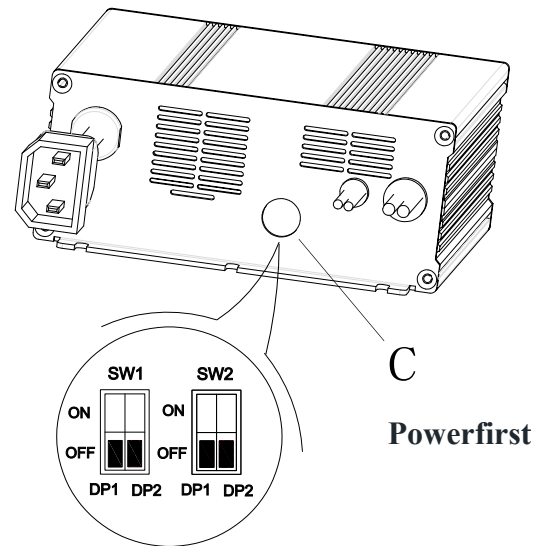
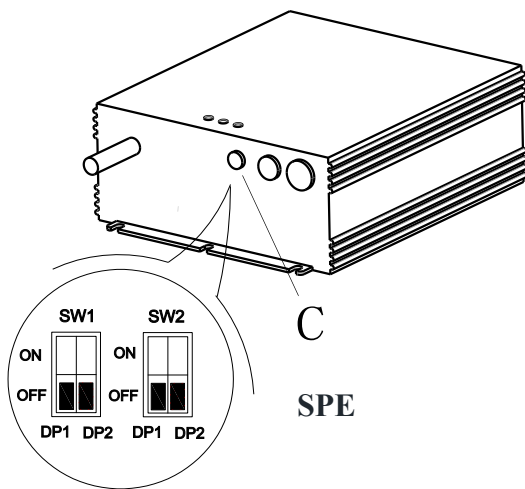
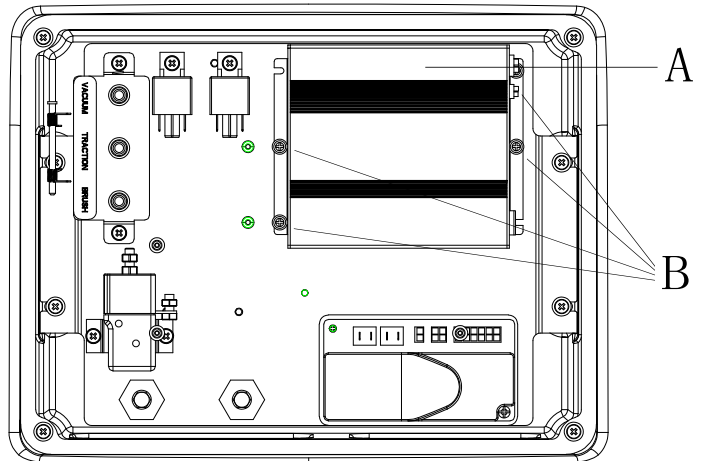
Rear cover

DIP - prepínače typov batérií

Funkcia nabíjačky je ovládaná 4 dip-spínačmi (2 páry) vo vnútri zadného krytu. Druhých 2 spínačov by ste sa nikdy nemali dotýkať, pokiaľ nebola vymenená nabíjačka a nie je potrebné potvrdiť ich polohu, nastaviť napätie batérie (24V) a maximálnu intenzitu prúdu (10A) a vždy by mali byť v polohe - vypnuté.

Prvé 2 spínače sú prístupné cez plastovú zástrčku bez otvorenia nabíjačky. Tieto prepínače nastavujú typ nabíjacej krivky použitej pre každý typ batérie. Typ krivky označuje spôsob a veľkosť, ktorou sa k batérii privádza prúd a napätie počas jej odlišných fáz nabíjacieho cyklu.

1. Odstráňte plastový uzáver zakrývajúci prístupový otvor pre prepínač DIP (C).
2. Prvé 2 DIP prepínače (SW1) nastavte podľa nižšie uvedených údajov v tabuľke.
3. Namontujte späť plastový uzáver.



Curve/Battery Type	SW1		SW2	
	D1	D2	D1	D2
IUIa Wet	On	Off		
IUIa Gel Exide	Off	Off	Off	Off
IUoU AGM	Off	On		
IUIa AGM Discover	On	On		

Curve/Battery Type	SW1		SW2	
	D1	D2	D1	D2
IUIa Wet	On	Off		
IUIa Gel Exide	Off	Off	Off	Off
IUUa AGM	Off	On		
IUIa AGM Discover	On	On		

NÚ DZOVÉ ZABRZDENIE

Ak sa počas chodu stroja vyskytne nejaké nebezpečenstvo, stlačte núdzový spínač (A, Obrázok 5), potom sa vypnú všetky funkcie stroja, na kontrolnom paneli nie je žiadny displej (B, Obrázok 5)

NAMONTOVANIE A ODMONTOVANIE KEFY/MOPU



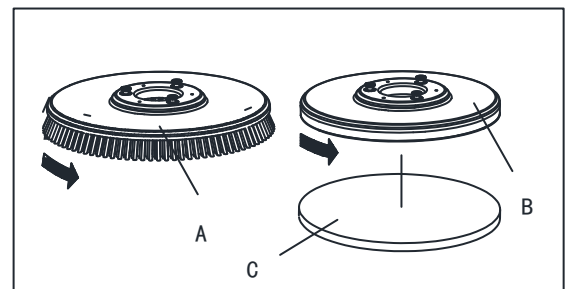
POZNÁMKA

Namontujte vhodnú kefu (A, Obrázok 6) alebo mop (B a C, Obrázok 6) v závislosti od typu podlahy, ktorá sa má čistiť.



VAROVANIE

Pred namontovaním alebo odmontovaním kefy alebo mopu sa uistite, že všetky spínače na stroji sú vo vypnutej polohe a lišta je nadvihnutá z podlahy. Obsluhujúca osoba musí byť v záujme zníženia rizika poranenia vybavená vhodnými ochrannými prostriedkami, ako sú napr. rukavice. Postupujte nasledovne:



Obrázok 6

1. Vložte kľúčový vypínač (40) a otočte ho na "ON".
2. Stlačte pedál (6) vpred nohou, aby ste nadvihli kefu (11) z podlahy.
3. Otočte gombíkom nastavenia rýchlosti (42) proti smeru ručičiek až na koniec.
4. Umiestnite stred kefy (A, Obrázok 5) alebo mopu (B, Obrázok 5) tak, aby bol zarovnaný s doskou kefy.
5. Potlačte pedál (6) nohou vzad, čím spustíte kefu (11) dole. Posadzte sa na sedadlo, stlačte gombík kefy (39) a jemne stláčajte pedál (23), kefa/mop sa môžu automaticky namontovať. Opakujte tieto kroky, až kým kefa/mop nie sú namontované.
6. Ak ste pri kroku 5 montovania kefy/mopu neboli úspešní, dajte kefu/mop manuálne dole.
7. Stlačte pedál (6) nohou vpred na zdvihnutie kefy (11) z podlahy, stlačte gombík uvoľnenia kefy (41), čím sa automaticky odmontuje.

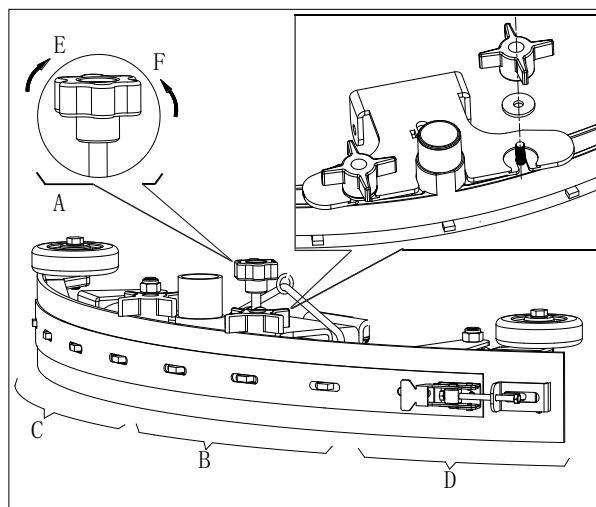


VAROVANIE!

Otočte pred stlačením plynového pedála (6) gombík nastavenia rýchlosti (42) na minimum, aby ste sa vyhli tomu, že stroj sa rozbehne po naštartovaní príliš rýchlo. Pred prácou so strojom sa uistite, že kefa/mop sú namontované správne.

NASTAVENIE ROVNOVÁHY LIŠTY

1. Primontujte lištu (13) a zatiahnite maticu lišty (20), potom pripojte saciu hadicu (19) k lište.
2. Pomocou páky nastavenia lišty nastavte lištu (A, Obrázok 7).
 - a) Ak je medzera medzi dlážkou a strednou časťou zadnej čepele lišty (B), nastavte gombík (A) v smere proti pohybu hodinových ručičiek (F), až kým sa všetky časti zadnej čepele lišty nedotýkajú dlážky a predná čepeľ jemne dosadá na dlážku.
 - b) Ak je medzera medzi dlážkou a oboma koncami zadnej čepele lišty (C a D), nastavte gombík (A) v smere pohybu hodinových ručičiek (E), až kým sa všetky časti zadnej čepele nedotýkajú dlážky a predná čepeľ jemne dosadá na dlážku.



Obrázok 7

Naplnenie nádrže na roztok

1. Otvorte kryt vstupu vody (E, Obrázok 8).
2. Cez otvor vstupu vody s filtrom naplňte nádrž vodou alebo roztokom vhodným pre plánovanú prácu. Teplota roztoku nesmie prekročiť +104F (+40 °C).
3. Nádrž neprepĺňajte, množstvo vody môžete skontrolovať pomocou ukazovateľa úrovne vody (G).



VAROVANIE!

Používajte len nízko penivé a nehorľavé čistiace prostriedky určené pre automatické čističe podláh.

Kontrola pohonného motora

1. Otočte kľúčový vypínač (A, Obrázok 9) do polohy "ON"
2. Jemne stlačte plynový pedál (C), potom ho uvoľnite, aby ste zistili, či sa stroj dá manévrovať vpred a zastaviť.
3. Aby ste zaistili bezpečnosť, uistite sa, že stroj sa dá okamžite zastaviť stlačením núdzového tlačidla (B). Núdzové tlačidlo resetujete tak, že ním otočíte.



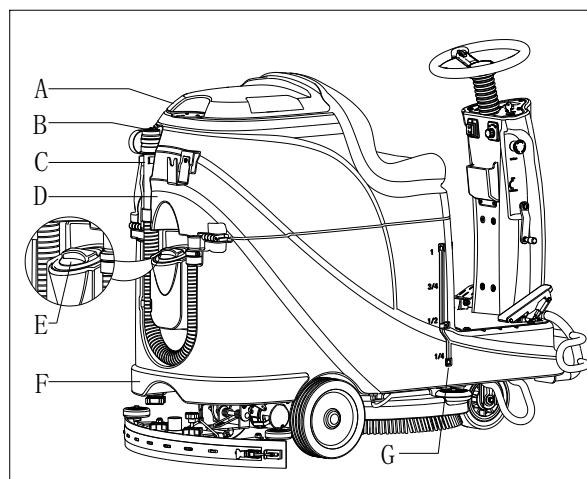
VAROVANIE

Stúpavosť stroja nesmie presiahnuť 10%.



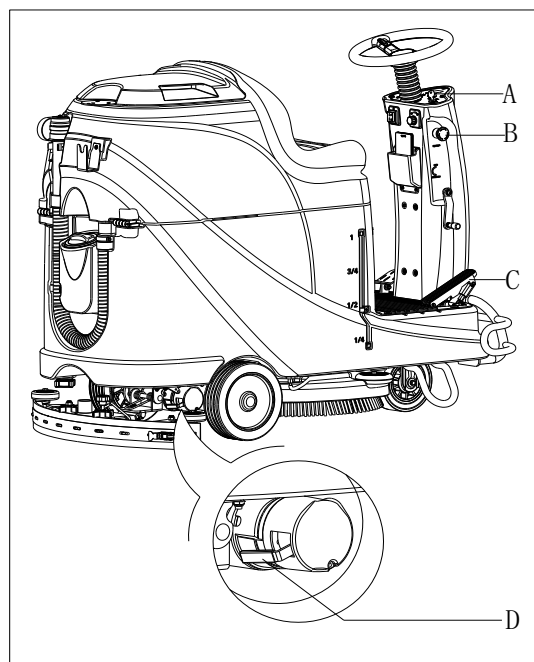
VAROVANIE

Brzda pohonného motora je uvoľnená, keď motor funguje normálne, uzamkne sa, keď motor prestane pracovať.



Obrázok 8

- Brzda uvoľnená – rukoväť brzdy (D, Obrázok 9) je hore
 - Brzda uzamknutá – rukoväť brzdy je nižšie
- V niektorých špeciálnych prípadoch, ako napríklad balenie / rozbaľovanie stroja, porucha stroja, je potrebné stroj presunúť bez zapnutého pohonného motora, vtedy nastavte manuálne brzdu na uvoľnenú, aby ste stroj mohli presunúť. Po presunutí stroja, aby ste sa vyvarovali akýmkoľvek rizikám, sa uistite, že ste nastavili brzdú späť do uzamknutého stavu.



Obrázok 9

SPUSTENIE A ZASTAVENIE STROJA

Spustenie stroja

1. Pripojte stroj tak, ako je to ukázané v predchádzajúcom odseku.
2. Sadnite si na sedadlo (L, Obrázok 10), vložte kľúčový vypínač (A) a otočte ho na "ON". Ak je zapnutá zelená kontrolka (C), batérie sú plne nabité na používanie. Ak je zapnutá žltá (E) alebo červená kontrolka (D), batérie musíte pred prevádzkou nabiť. [Ohľadom nabíjania batérií si pozrite kapitoly ÚDRŽBA]
3. Spustite lištu na podlahu.



POZNÁMKA

Pred manévrovaním stroja vzad sa uistite, že lišta je nadvihnutá, inak stroj zastane a na LED obrazovke sa zobrazí chybové hlásenie „Error“.

4. Spustite kefu na podlahu.



POZNÁMKA

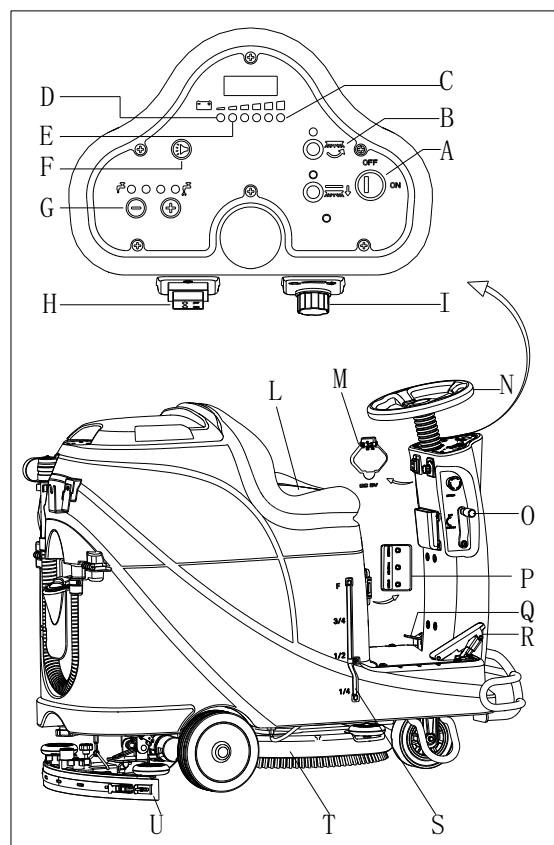
Uistite sa, že pred nadvihnutím kefy vypnete spínač kefy, a pred tým, ako stroj manévrujete vpred/vzad, nadvihnete kefu.

5. Stlačte spínač kefy (B)
6. Stlačte plynový pedál (R), riadte stroj vpred alebo vzad pomocou volantu (N) spolu so spínačom vpred-vzad (H), rýchlosť môžete nastaviť pomocou nastavovacieho gombíka (I).
7. Nastavte tok roztoku nastavením gombíka (G) v závislosti od požiadaviek na čistenie.
8. Môžete svoj telefón nabiť cez USB nabíjací port (M), keď je kľúčový vypínač (A) otočený na "ON".
9. Keď potrebujete varovať ľudí, stlačte gombík klaksóna (F).
10. V nevyhnutom prípade stlačte núdzové tlačidlo pre núdzové zastavenie stroja.



POZNÁMKA

Motor kefy, motor sania, pohonný motor a riadiaci obvod sú chránené ochranou pred preťažením (P). Keď ochrana pred preťažením vypne stroj, neresetuje ho okamžite bez toho, aby ste našli príčinu, a uistite sa, že pred resetovaním motor vychladol.



Obrázok 10

Zastavenie stroja

11. Uvoľnite plynový pedál (R, Obrázok 10), stroj sa zastaví.
12. Stlačením tlačidla kefy (B) vypnete motor kefy.
13. Nadvihnite kefu (T) stlačením pedála (Q).
14. Nadvihnite lištu (U) pomocou dvíhacej/spúšťacej páky lišty (O) a o niekoľko sekúnd neskôr sa uzavrie sací systém.
15. Otočte kľúčový vypínač do polohy "OFF".
16. Uistite sa, že stroj je vypnutý.

CHOD STROJA (UMÝVANIE A SUŠENIE)

1. Spustíte stroj podľa postupu v predchádzajúcom odseku.
2. Začnete čistiť podľa postupu v časti "Spustenie stroja".
3. Ak je to potrebné, zastavte stroj a nastavte lištu podľa časti "Nastavenie rovnováhy lišty".



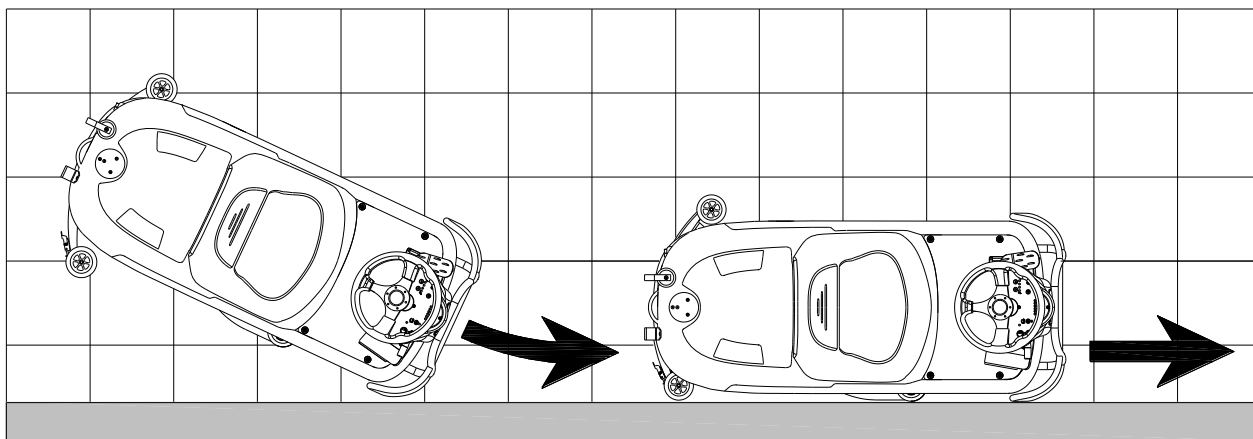
VAROVANIE!

Aby ste sa vyhli poškodeniam povrchu podlahy, vypnite kefu/držiak mopu, keď stroj stojí na jednom mieste.



POZNÁMKA

Pre správne čistenie/sušenie podlahy po okrajoch stien odporúčame, aby ste išli blízko stien s pravou stranou stroja, ako to vidíte nižšie na Obrázok 11.



Obrázok 11

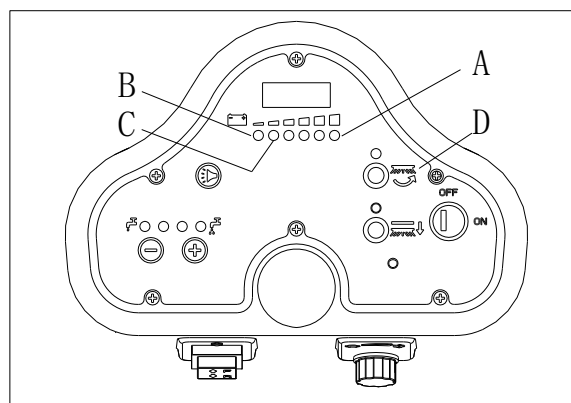
Nabíjanie batérie počas práce

Keď je zelená kontrolka (A, Obrázok 12) zapnutá, batérie majú dosť energie pre stroj na riadne fungovanie; keď sa všetky zelené kontrolky vypnú, zapne sa žltá kontrolka (C, Obrázok 12), energia v batériách je veľmi nízka, nabite batérie; keď bliká červená kontrolka (B, Obrázok 12), batérie sú vybité, motor sania a motor kefy sa automaticky vypnú s niekoľkosekundovým oneskorením, presuňte stroj hneď na nabíjanie batérií.



VAROVANIE!

Aby ste sa vyvarovali poškodeniu batérií a skráteniu ich životnosti, nepoužívajte stroj, keď sú už batérie slabé.



Obrázok 12

VYPRÁZDNENIE NÁDRŽE

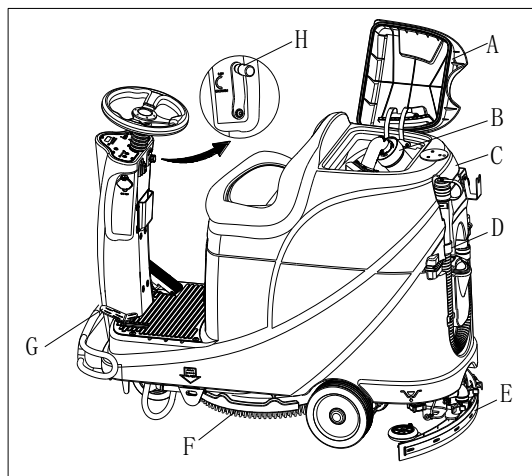
Systém automatického vypínania (B, Obrázok 13) zablokuje systém sania, keď je nádrž na špinavú vodu (C) plná. Deaktivácia systému sania je signalizovaná náhlym zvýšením frekvencie zvuku v motore systému sania, a tiež podlaha sa nesusí.



POZOR!

Ak sa systém sania náhodou vypne (napríklad pri náhlom pohybe stroja sa aktivuje plavák v automatickom vypínaní), chod znova spustíte takto: vypnite systém sania stlačením spínača (D, Obrázok 12), potom otvorte kryt (A, Obrázok 11) a skontrolujte, či plavák vo vnútri mriežky (B) klesol dole na hladinu vody. Potom zatvorte kryt (A) a zapnite systém sania stlačením spínača (D, Obrázok 12).

Keď je nádrž na špinavú vodu (C, Obrázok 13) plná, vyprázdňte ju podľa nasledujúceho postupu.



Obrázok 13

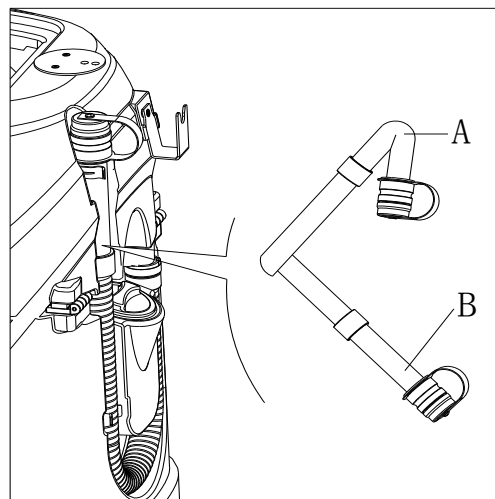
Vyprázdnenie nádrže na špinavú vodu

1. Zastavte stroj.
2. Nadvihnite plošinu kefy/držiaka padu (H, Obrázok 12) stlačením pedála (G).
3. Nadvihnite lištu pomocou páky (H).
4. Prejdite so strojom na miesto určené na vyliatie vody.
5. Vyprázdňte nádrž na špinavú vodu pomocou hadice (D). Potom vypláchnite nádrž čistou vodou.



POZOR!

Keď vypúšťate špinavú vodu, musíte odtokovú hadicu pred otvorením krytu ohnúť (A, Obrázok 14) a dať nižšie (B, Obrázok 14). Nenechajte, aby otvor hadice smeroval hore, aby sa špinavá voda nevyliala na obsluhujúcu osobu.



Obrázok 14

Vyprázdnenie nádrže na roztok/čistú vodu

6. Vykonajte kroky 1 až 4 v kapitole „Vyprázdnenie nádrže na špinavú vodu“.
7. Vyprázdňte nádrž na roztok cez odtokový kryt (A, Obrázok 15). A potom vypláchnite nádrž čistou vodou.

PO POUŽÍVANÍ STROJA

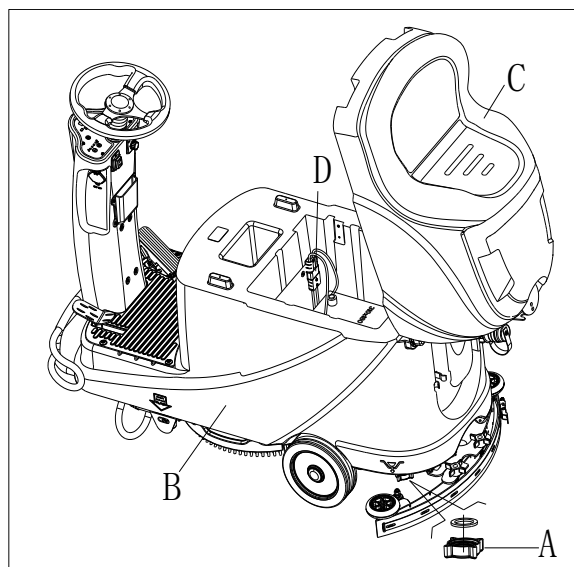
Po práci, pred odložením stroja:

1. Odstráňte kefy/držiaky padov.
2. Vyprázdňte nádrže (B a C, Obrázok 15), ako je to uvedené v predchádzajúcich odsekoch.
3. Vykonajte dennú údržbu (pozri kapitolu Údržba).
4. Uskladnite stroj na čistom a suchom mieste, s nadvihnutými alebo odstránenými kefami/držiakmi padov a lištou.

AK JE STROJ DLHO NEČINNÝ

Ak stroj nebudete používať viac ako 30 dní, vykonajte nasledujúce kroky:

1. Vykonajte postup uvedený v časti „PO POUŽÍVANÍ STROJA“.
2. Odpojte konektor batérie (D, Obrázok 15).



Obrázok 15

POUŽITIE PRVÝKRÁT

Po deviatich hodinách používania stroja po prvýkrát skontrolujte, či sa nevyskytujú nejaké poškodenia alebo abnormálne situácie, skontrolujte, či nie sú matice alebo príslušenstvo uvoľnené.

ÚDRŽBA



VAROVANIE!

Údržbu musíte vykonávať po tom, ako zariadenie vypnete a odpojíte kábel nabíjačky batérie. Okrem toho si pozorne prečítajte kapitoly ohľadom bezpečnosti v tejto príručke.

Všetky kroky plánovanej alebo zvláštnej údržby musí vykonať kvalifikovaná osoba alebo autorizované servisné centrum. Táto príručka popisuje len všeobecné alebo bežné postupy údržby.

Ohľadom ďalších postupov údržby, ktoré nie sú v nižšie uvedenej tabuľke plánu údržby, sa obráťte na Servisnú príručku, o ktorej sa môžete poradiť v ktoromkoľvek Servisnom centre našej spoločnosti.

TABUĽKA PLÁNU ÚDRŽBY



VÝSTRAHA!

Úkon označený (1) sa musí vykonať po prvých 9 hodinách používania. Úkon označený (2) musí vykonať Servisné centrum kvalifikované našou spoločnosťou.

Úkon	Denne, po každom použití	Týždenne	Polročne	Ročne
Nabíjanie batérií				
Čistenie lišty				
Čistenie držiaka kefy/padu				
Čistenie nádrže				
Kontrola tesniaceho pásika nádrže				
Čistenie plávajúceho filtra				
Kontrola a výmena čepele stieracej lišty				
Čistenie čistiaceho vodného filtra				
Čistenie sacieho filtra				
Kontrola hladiny tekutiny WET batérie				
Kontrola pevnosti skrutiek a matíc			(1)	
Kontrola alebo výmena držiaka kefy/padu karbónovej kefy				(2)
Kontrola alebo výmena sacieho systému motorovej karbónovej kefy				(2)
Kontrola alebo výmena karbónovej kefy motoru pohonného systému (len pre stroje s pohonom)				(2)
Pridanie oleja na otočné časti			(1)	

NABÍJANIE BATÉRIÍ



POZNÁMKA

Nabíjajte batérie, keď svieti žltá kontrolka (32) alebo červená kontrolka (33), alebo na konci každého pracovného cyklu.



VÝSTRAHA

Udržiavajte batériu stále plne nabitú, predĺžite tým jej životnosť.



VÝSTRAHA

Ak je úroveň nabitia batérie nízka, nabíjajte ju čo najskôr, inak sa môže skrátiť životnosť batérie. Je dobré kontrolovať batériu aspoň raz týždenne.



POZOR!

Počas nabíjania batérie buďte obzvlášť opatrní, pretože počas procesu nabíjania môže vytiecť kyselina.

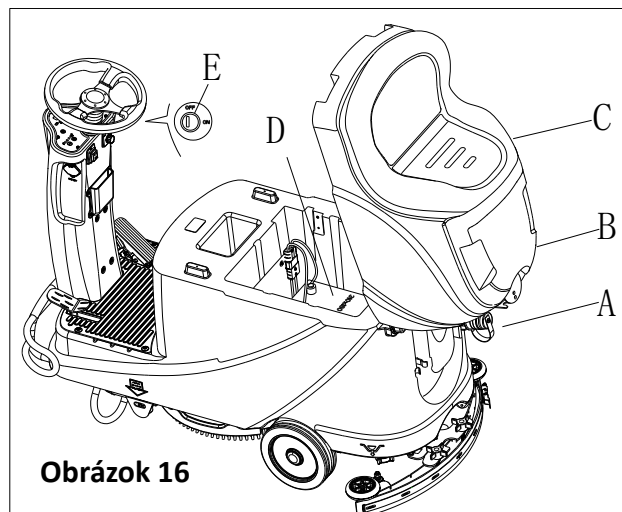
Kyselina z batérie je korozívna, ak sa náhodou dostane do kontaktu s pokožkou alebo očami, opláchnite okamžite veľkým množstvom čistej vody a navštívte lekára.

Prípravné kroky na nabíjanie batérií

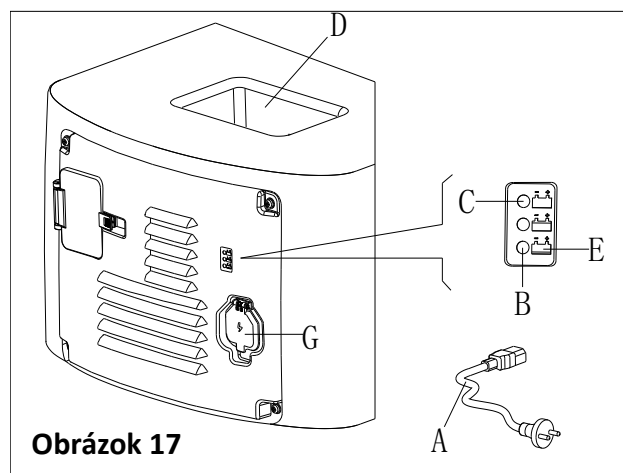
1. Otvorte kryt nádrže na špinavú vodu (B, Obrázok 16), aby ste skontrolovali, či je nádrž na špinavú vodu (C) prázdna, ak nie, vyprázdňte ju pomocou odtokovej hadice (A).
2. Presuňte stroj na určené nabíjacie miesto.
3. Otočte kľúčový vypínač na "OFF".
4. Tento krok len pre WET batérie:
 - Ak je to potrebné, očistite povrch batérie.
 - Skontrolujte hladinu elektrolytu batérií (D), ak je to potrebné, otvorte kryt a doplna doplňte elektrolyt, potom ho znova zatvorte.
 - Počas nabíjania nechajte kryt otvorený.
5. Vyberte jeden z nižšie uvedených nabíjacích režimov podľa zvoleného typu nabíjačky.

Použitie palubnej nabíjačky pre nabíjanie batérie

6. Pripojte kábel nabíjačky batérie (A, Obrázok 17) k elektrickej prípojke (G) a potom sú všetky funkcie stroja okrem nabíjania automaticky vypnuté. Normálne zapnutá červená kontrolka (B) ukazuje, že stroj je v procese nabíjania.
7. Batérie sú úplne nabité, keď sa zapne zelená kontrolka (C).
8. Keď je nabíjanie dokončené, odpojte kábel nabíjačky batérie od elektrickej prípojky a uložte kábel nabíjačky batérie v na to určenej priehradke (D).



Obrázok 16



Obrázok 17



POZNÁMKA

Viac informácií o palubnej nabíjačke (E, Obrázok 17) nájdete v príslušnej príručke od servisného centra.

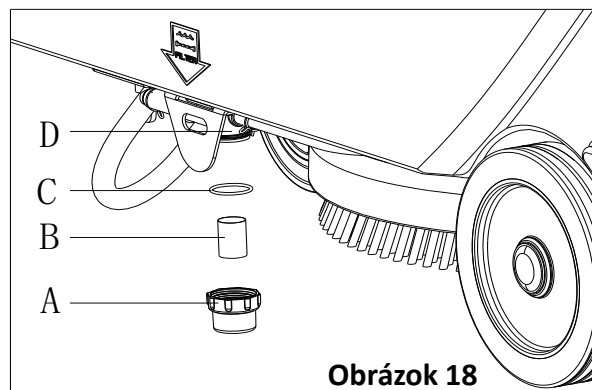
ČISTENIE KEFY/PADU



VÝSTRAHA!

Odporúča sa nosiť počas čistenia držiaka kefy alebo mopu rukavice, pretože môže obsahovať ostré úlomky.

1. Dajte dole držiak kefy/mopu zo základne podľa postupu v predchádzajúcich častiach.
2. Vyčistite držiak kefy / mopu vodou a čistiacim prostriedkom.
3. Skontrolujte celistvosť a brúsne vlastnosti štetín kefy, v prípade potreby vymeňte kefu.
4. Skontrolujte brúsne vlastnosti leštiaceho mopu, v prípade potreby ho vymeňte.



Obrázok 18

ČISTENIE FILTRA NA ROZTOK

1. Presuňte stroj na rovný povrch.
2. Uistite sa, že stroj je vypnutý.
3. Vyprázdnite nádrž na roztok (voliteľný krok).
4. Dajte dole kryt filtra na roztok (A, Obrázok 18), aby ste vyčistili filtračné sito (B), a potom ich pripevnite naspäť na konštrukciu filtra (D).



POZNÁMKA

Filtračné sito (B) musí byť správne umiestnené na kryt konštrukcie filtra (D).

ČISTENIE LIŠTY



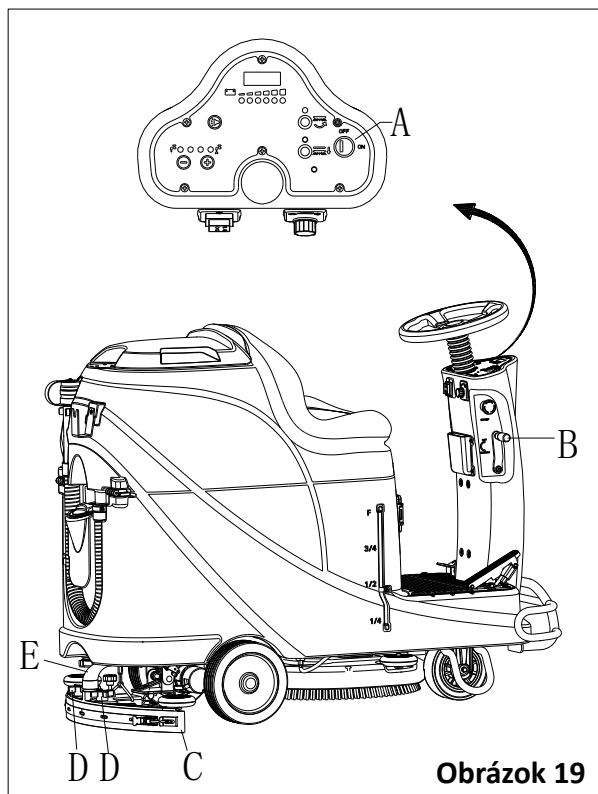
POZNÁMKA

Lišta musí byť čistá a jej čepele musia byť v dobrom stave, aby bol výsledok sušenia dobrý.



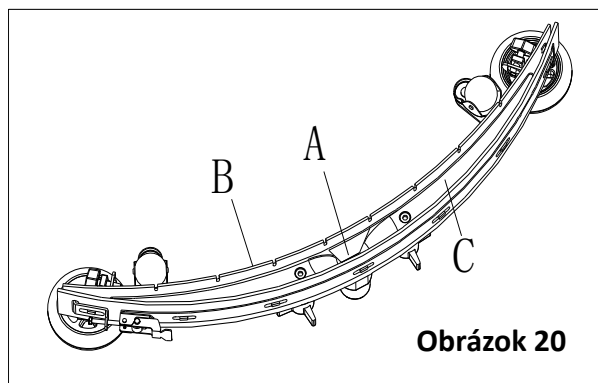
POZOR!

Odporúčame počas čistenia lišty nosiť ochranné rukavice, pretože sa tam môžu nachádzať ostré nečistoty.



Obrázok 19

1. Presuňte stroj na rovnú dlážku.
2. Otočte kľúčový vypínač (A, Obrázok 19) na "OFF".
3. Spustite lištu (B) pomocou páky (C).
4. Uvoľnite matice (D) a dajte dole lištu.
5. Odpojte saciu hadicu (E) z lišty.
6. Vyčistite oceľovú alebo hliníkovú lištu, najmä priehradky (A, Obrázok 20) a otvory (B). Skontrolujte celistvosť, škrabance a opotrebovanie na prednej čepeľ (B) an zadnej čepeľ (C), ak je to potrebné, vymeňte ich podľa postupu v nasledujúcom odseku.
7. Lištu primontujte v opačnom poradí, ako ste ju rozmontovali.



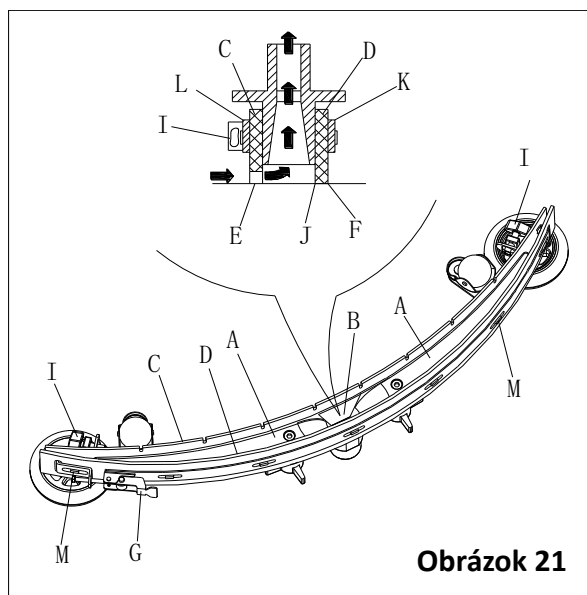
Obrázok 20

KONTROLA A VÝMENA ČEPELÍ LIŠTY

1. Vyčistite oceľovú alebo hliníkovú lištu, ako je to uvedené v prechádzajúcom odseku.
2. Skontrolujte, či hrany (E, Obrázok 21) prednej čepele (C) a hrany (F) zadnej čepele (D) ležia dole na po dĺžku rovnakej úrovni; ak je to potrebné, upravte ich výšku podľa nasledujúceho postupu:
 - Odpojte riadiacu tyč (G), rozpojte spojky (M) a nastavte zadnú čepeľ (D), potom spojte spojky (M) a primontujte riadiacu tyč (G).
 - Uvoľnite skrutky (I) a nastavte prednú čepeľ (C), potom zatiahnite skrutky.
3. Skontrolujte opotrebovanie prednej čepele (C) a zadnej čepele (D), poškodenie; ak je to potrebné, vymeňte ich podľa nasledujúceho postupu. Skontrolujte, či predná hrana (J) zadnej lišty (D) nie je opotrebovaná; ak treba, otočte čepeľ tak, aby ste nahradili opotrebovanú hranu neopotrebovanou. Ak sú aj ďalšie hrany opotrebované, vymeňte čepeľ podľa nasledujúceho postupu:
 - Odpojte riadiacu tyč (G), rozpojte spojky (M) a odpojte poistnú pásku (K), potom vymeňte/otočte prednú čepeľ (D). Primontujte čepeľ v opačnom poradí ako pri odmontovaní
 - Odskrutkujte skrutky (I) a odstráňte poistnú pásku (L), potom vymeňte prednú čepeľ (C). Primontujte čepeľ v opačnom poradí ako pri odmontovaní. Po výmene (alebo otočení) čepele nastavte výšku, ako je to uvedené v predchádzajúcom kroku.
4. Pripojte saciu hadicu (A, Obrázok 22) k lište.
5. Primontujte lištu (B) a zaskrutkujte skrutky (C).
6. Ak je to potrebné, nastavte nastavovací gombík (D) pre rovnováhu lišty.

ČISTENIE NÁDRŽE A SACEJ MRIEŽKY S PLAVÁKOM A KONTROLA TESNENIA VEKA

1. Presuňte stroj na rovnú podlahu.
2. Uistite sa, že stroj je vypnutý a kľúč zapalovania (40) je vybraný.
3. Otočte vrchnák nádrže na špinavú vodu (A, Obrázok 23) do 90 stupňovej polohy, pri ktorej ho môžete zobrať dole z nádrže, a potom vyberte von plávajúci filter (P) z nádrže.
4. Vyčistite vrchnák nádrže na špinavú vodu (A), nádrž na špinavú vodu (B), nádrž na čistú vodu (C) a oporný rám plávajúceho filtra (E). Vyprázdňte nádrž na špinavú vodu pomocou odtokovej hadice (15).
5. Ak je to potrebné, sledujte symboly "OPEN" (otvoriť) a "CLOSE" (zatvoriť), ako je to zobrazené na Obrázok 23, pre otvorenie spodného krytu (F) plávajúceho filtra a potom vyčistite plavák (D), oporný rám filtra (E) a špongiu filtra (I). Po vyčistení upevnite plavák (D) do oporného rámu filtra (E) a potom zarovnajzte ryhu (L) na spodku klobúčika (F) plávajúceho filtra s ryhou (L) oporného rámu plávajúceho filtra (E). Pevne priskrutkujte spodný klobúčik plávajúceho filtra a pripevnite špongiu filtra (I) na oporný rám plávajúceho filtra (E). Nakoniec pripojte saciu hadicu odpadovej vody (M).
6. Skontrolujte celistvosť tesniaceho pásika nádrže.



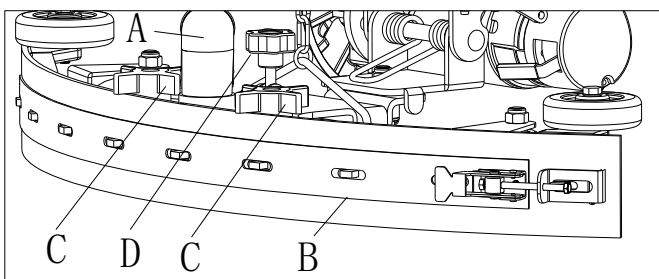
Obrázok 21



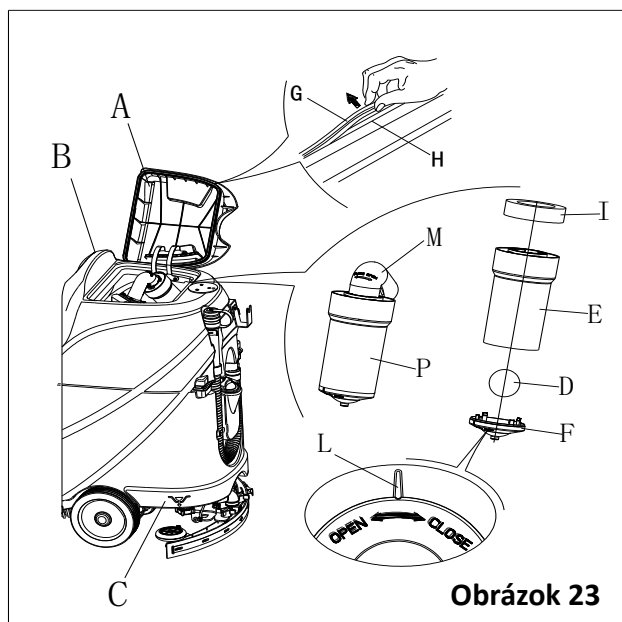
POZNÁMKA

Tesniaci pásik nádrže (G) vytvára vákuum vo vnútri nádrže, keď je sací motor zapnutý. Nádrž musí byť utesnená, aby voda z podlahy mohla byť efektívne pozbieraná do nádrže na špinavú vodu.

7. Skontrolujte, či je kontaktný povrch tesniaceho pásika (G) celistvý a či je tesnenie dostatočné. Ak je to potrebné, vyberte tesniaci pásik nádrže z ryhy (H) a vymeňte ho. Vložte nový tesniaci pásik, ako je to zobrazené na Obrázok 23, spoj musí byť vzadu v stredovej oblasti.
8. Zatvorte vrchnák nádrže na špinavú vodu (A).



Obrázok 22



Obrázok 23

KONTROLA/VÝMENA POISTKY

- Otočte kľúčový vypínač (D, Obrázok 24) na "OFF".
- Odpojte pripájací kábel batérie.
- Odskrutkujte skrutky (C) na ovládacom paneli a potom otočte dole hlavou PCBA, aby ste našli poistku (A a B).
- Skontrolujte/vymeňte poistky:
 - A) F1 je poistka obvodu s nízkou spotrebou (5A)
 - B) F3 je poistka kefy (20A)
- Keď je kontrola/výmena hotová, zmontujte v opačnom poradí, ako ste rozmontovali.
- Skontrolujte alebo resetujte ochranu pred preťažením motora.
 - E) F5 je ochrana pred preťažením motora sania (30A)
 - F) F4 je ochrana pred preťažením pohonného motora (30A)
 - G) F2 je ochrana pred preťažením motora kefy (30A)

PRÍSLUŠENSTVO/MOŽNOSTI

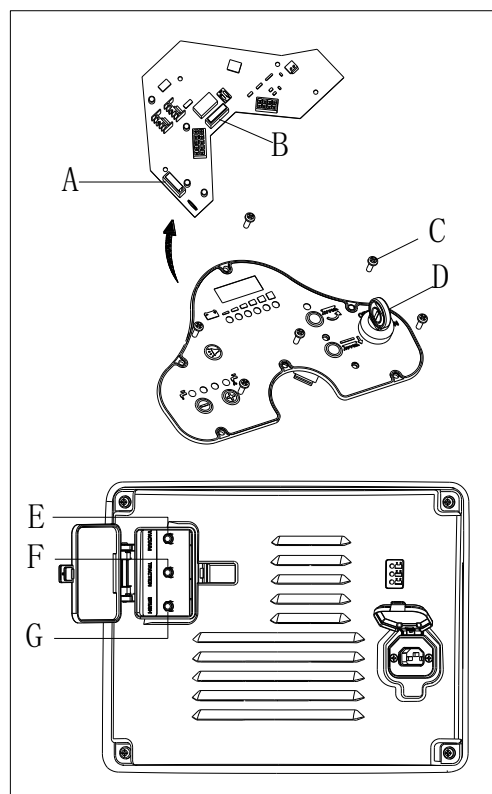
Okrem štandardných komponentov môže byť stroj vybavený nasledujúcim príslušenstvom/možnosťami, v závislosti od špecifického použitia stroja.

Ak chcete vedieť viac informácií týkajúcich sa vyššie uvedeného voliteľného príslušenstva, kontaktujte svojho autorizovaného predajcu.

Príslušenstvo/možnosti

Pozri časť "Zoznam častí"

- GEL/AGM akumulátory.
- Pady z rôznych materiálov



Obrázok 24

RIEŠENIE PROBLÉMOV

Problém	Pravdepodobné príčiny	Riešenie
Motor nepracuje; nezapne sa žiadne varovné svetlo (C9)	Konektor batérie je odpojený	Pripojte konektor batérie
	Batérie sú úplne vybité	Nabite batérie
Stroj nepracuje, zapne sa červená varovná kontrolka kapacity batérie (C8)	Úroveň nabitia batérií je príliš nízka	Nabite batérie
Stroj nejde vpred / vzad	Riadiaca doska má poruchu	Vymeňte riadiacu dosku
	Ovládač pohonného motora má poruchu	Pozrite si "INFORMÁCIE O CHYBOVÝCH HLÁSENIACH POHONNÉHO MOTORA"
	Obsluhujúca osoba nie je na sedadle	Sadnite si na sedadlo
	Lišta nie je nadvihnutá, keď stroj ide vzad	Nadvihnite lištu
Motor kefy nepracuje	Riadiaca doska má poruchu	Vymeňte riadiacu dosku
	Motor kefy je preťažený	Použite jemnú kefku, ktorá je vhodná na čistenie, a resetujte ochranu pred preťažením motora kefy
	Relé motora kefy má poruchu	Kontaktujte popredajný servis
	Opotrebovanie karbónovej kefy motora kefy	Kontaktujte popredajný servis
	Prekážky bránia kefe v otáčaní	Vyčistite kefu
Pohonný motor nepracuje	Zapne sa kontrolka pre problém pohonného motora	Pozrite si "INFORMÁCIE O CHYBOVÝCH HLÁSENIACH POHONNÉHO MOTORA"
	Preťaženie pohonného motora	Resetujte ochranu pred preťažením pohonného motora a skontrolujte pohonný motor/obvod

Motor sania nepracuje	Preťaženie motora sania	Resetujte ochranu pred preťažením motora sania a skontrolujte motor sania
	Relé motora sania má poruchu	Kontaktujte popredajný servis
	Riadiaca doska má poruchu	Vymeňte riadiacu dosku
Nedostatočné sanie, podlaha sa nesuší	Nádrž na špinavú vodu je plná	Vyprázdnite nádrž na špinavú vodu
	Zlé prepojenie odtokovej hadice a lišty	Správne spojte odtokovú hadicu a lištu
	Zablokovaný filter plaváku	Vyčistite filter plaváku a skontrolujte stav polohy plaváku
	Lišta je špinavá alebo opotrebovaná	Skontrolujte a vyčistite lištu
	Kryt nádrže na špinavú vodu nie je riadne zatvorený, alebo je tesnenie poškodené, alebo je ohyb trubice upchatý	Riadne zatvorte kryt, alebo vymeňte tesnenie, alebo vyčistite ohyb trubice
	Nádrž na špinavú vodu je špinavá	Vyčistite nádrž na špinavú vodu
Nedostatočná dodávka roztoku na plochu kefy	Roztokový filter je špinavý	Vyčistite filter
	Zapne sa kontrolka, že je nádrž na roztok prázdna	Naplňte nádrž na roztok
	Nádrž na roztok je príliš špinavá	Vyčistite nádrž na roztok
Lišta necháva škrabance na podlahe	Pod čepeľou lišty je nečistota	Odstráňte nečistotu
	Čepeľ lišty je opotrebovaná, popraskaná	Vymeňte čepele lišty
	Nie je nastavené vyváženie lišty	Nastavte vyváženie lišty
Nefunguje brzda pohonného motora	Brzda je uzamknutá	Nastavte brzdu na uvoľnenú

INFORMÁCIE O CHYBOVÝCH HLÁSENIACH POHONNÉHO MOTORA

KÓDY KONTROLIEK	PORUCHA	MOŽNÁ PRÍČINA POSSIBLE CAUSE
1.1 □□	TEPELNÁ PORUCHA	1. Teplota >80°C alebo < -10°C. 2. Vozidlo je príliš naložené. 3. Prevádzka v extrémnom prostredí. 4. Elektromagnetická brzda sa neuvolňuje.
1.2 □□□	PORUCHA REGULÁTORA	1. Vstupný drôt regulátora otvorený alebo skratovaný. 2. Poškodený regulátor. 3. Zvolený zlý typ regulátora.
1.3 □□□□	CHYBA REGULÁTORA RÝCHLOSTI	1. Kábel regulátora rýchlosti je zlomený alebo skratovaný. 2. Porušený regulátor rýchlosti.
1.4 □□□□□	PODPÄŤOVÁ PORUCHA	1. Napätie batérie <17 voltov. 2. Zlé spojenie v batérii alebo ovládači.
1.5 □□□□□□	PREPÄŤOVÁ PORUCHA	1. Napätie batérie >31 voltov. 2. Vozidlo v prevádzke s pripojenou nabíjačkou. 3. Prerušované pripojenie batérie.
2.1 □□□	CHYBA VYPNUTIA STÝKAČA	1. Pohon hlavného stýkača sa neotvoril.
2.3 □□□□□	PORUCHA STÝKAČA *	1. Hlavný stýkač je privarený alebo pripevnený otvorený. 2. Zlyhal pohon hlavného stýkača.
2.4 □□□□□□	CHYBA ZAPNUTIA STÝKAČA	1. Pohon hlavného stýkača sa nezatvoril.
3.1 □□□□	PORUCHA ZAPOJENIA *	1. Zle nastavený regulátor. 2. Pokazená nádrž alebo mechanizmus regulátora.
3.2 □□□□□	PORUCHA ZAPNUTIA BRZDY	1. Pohon elektromagnetickej brzdy skratovaný. 2. Cievka elektromagnetickej brzdy otvorená.
3.3 □□□□□□	PORUCHA PLNENIA *	1. Pohon brzdy skratovaný. 2. Okruh plnenia poškodený. 3. Zlyhanie MOSFET.

3.4	□□□□□□□□	PORUCHA VYPNUTIA BRZDY	1. Pohon elektromagnetickej brzdy otvorený. 2. Cievka elektromagnetickej brzdy skratovaná.
3.5	□□□□□□□□	PORUCHA HPD	1. Nesprávna frekvencia regulátora a KSI, tlak, alebo zamedzené vstupy. 2. Zle nastavená nádrž regulátora.
4.1	□□□□□□	PORUCHA PRÚDOVEJ CITLIVOSTI *	1. Skrat v motore alebo v zapojení motora. 2. Porucha ovládača.
4.2	□□□□□□	HARDVÉROVÉ ZABEZPEČENIE *	1. Napätie motora sa nezhoduje s požiadavkou regulátora. 2. Skrat v motore alebo v zapojení motora. 3. Porucha ovládača.
4.3	□□□□□□□□	PORUCHA KONTR. SÚČTU EEPROM †	1. Chyba alebo porucha EEPROM.
4.5	□□□□□□□□□□	PORUCHA PRIPOJENIA BATÉRIE *	1. Batéria nie je pripojená. 2. Slabé pripojenie k terminálom batérie.

* = Pre zrušenie musíte otočiť kľúčovým vypínačom.

† = Pre zrušenie musíte použiť programovač, a to takto: vyberte Programová ponuka, zmeňte hodnotu dát akéhokoľvek parametra, otočte kľúčovým vypínačom.



POZNÁMKA

Stroj, ktorý je vybavený palubnou nabíjačkou, nebude fungovať, keď má palubná nabíjačka poruchu, kontaktujte naše kvalifikované centrum údržby, prosím.

LIKVIDÁCIA

Likvidáciu zariadenia je potrebné vykonať odborne kvalifikovaným centrom pre spracovanie odpadu.

Pred likvidáciou zariadenia odpojte časti uvedené nižšie, ktoré musia byť zlikvidované v súlade s platnými zákonmi a nariadeniami.

- Batéria
- Držiak kľuky/mopu
- Plastová hadica a plastové súčiastky
- Elektrické a elektronické komponenty (*)

(*) Prosíme, kontaktujte naše servisné centrum, ktoré zlikviduje akékoľvek elektrické alebo elektronické komponenty.

İÇİNDEKİLER

GİRİŞ	421
KILAVUZUN İÇERİĞİ VE MAKSADI	421
BU KILAVUZ NASIL SAKLANMALIDIR	421
UYGUNLUK BİLDİRİMİ	421
AKSESUARLAR VE BAKIM	421
DEĞİŞİKLİK VE GELİŞTİRMELER	421
UYGULAMA ALANI	421
MAKİNE TANIMLAMA VERİSİ	421
TAŞIMA VE PAKETİN AÇILMASI	421
GÜVENLİK	422
MAKİNE ÜZERİNDEKİ GÖRÜNÜR SEMBOLLER	422
GENEL GÜVENLİK TALİMATLARI	422
MAKİNE TANITIMI	424
MAKİNE YAPISI	424
KONTROL PANELİ	425
LED EKRAK GÖSTERGE BİLGİLERİ	425
ŞARJ GÖSTERGE IŞIĞI EKRAK PENCERESİ	425
TEKNİK ÖZELLİKLER	426
DEVRE ŞEMASI	427
ÇALIŞTIRMA KILAVUZU	429
YENİ MAKİNE BATARYASININ TAKILMASI VE AYARLANMASI	429
BATARYA KURULUMU VE BATARYA TİPİNİN AYARLANMASI (ISLAK veya JEL/AGM)	429
ACİL DURUM FRENLEMESİ	430
FIRÇA/KEÇENİN TAKILMASI VE SÖKÜLMESİ	430
SİLECEĞİ DENGESİNİN AYARLANMASI	431
SOLÜSYON TANKI DOLDURMA	431
MAKİNEİNİN ÇALIŞTIRILMASI VE DURDURULMASI	432
MAKİNEİNİN ÇALIŞTIRILMASI (SİLME VE KURUTMA)	433
TANK BOŞALTMA	434
MAKİNEYİ KULLANDIKTAN SONRA	434
MAKİNEİNİN UZUN SÜRE HAREKETSİZLİĞİ	434
İLK KULLANIM	435
BAKIM	435
PLANLI BAKIM TABLOSU	435
BATARYA ŞARJI	435
FIRÇA/KEÇE TEMİZLEME	436
SOLÜSYON FİLTRESİ TEMİZLİĞİ	437
SİLECEK TEMİZLEME	437
SİLECEK BIÇAĞI KONTROLÜ VE DEĞİŞTİRME	437
TANK VE ŞAMANDIRALI VAKUM IZGARASI TEMİZLEME VE KAPAK CONTASI KONTROLÜ	438
SİGORTA KULLANIMI/DEĞİŞTİRİLMESİ	439
AKSESUARLAR/OPSİYONLAR	439
SORUN GİDERME	439
HURDAYA AYIRMA	441

GİRİŞ



NOT

Parantez içerisindeki numaralar Makine Tanıtımı bölümünde gösterilen bileşenlere işaret etmektedir.

KILAVUZUN İÇERİĞİ VE MAKSADI

Bu kullanım kılavuzunun amacı kullanıcıya bu makineyi düzgün ve emniyetli bir şekilde kullanması için gerekli olan bilgileri sunmaktır. Kılavuz, teknik veriler, güvenlik, kullanım, depolama, bakım, yedek parça ve elden çıkarma hakkında bilgiler içermektedir.

Makine üzerinde herhangi bir prosedür gerçekleştirmeden önce, operatörler ve teknik personel bu kılavuzu dikkatlice okumalıdır. Bu kılavuz hakkında soracağınız herhangi bir husus olduğunda veya ilave bilgiye ihtiyaç duyduğunuzda şirket servis merkezimiz ile irtibata geçin.

Kullanıcılar kalifiye teknisyenler tarafından yapılması gereken prosedürleri gerçekleştirmemelidirler. Şirketimiz bu kurala uyulmamasından kaynaklanan zararlara yanıt vermeyecektir.

BU KILAVUZ NASIL SAKLANMALIDIR

Kılavuz makinenin yakınında, uygun bir kılıf içerisinde ve herhangi bir hasar görebileceği sıvı veya diğer maddelerden uzakta bulundurulmalıdır.

UYGUNLUK BİLDİRİMİ

Makine ile birlikte verilen Uygunluk Bildirimi, makinenin yürürlükte olan yasalara uyumlu olduğunu tasdik etmektedir.



NOT

Orijinal uygunluk bildiriminin kopyaları makine belgeleri ile birlikte sunulmuştur.

AKSESUARLAR VE BAKIM

Gerekli olan tüm işletme, bakım ve onarım prosedürleri kalifiye personel veya şirketimizce belirlenen servis merkezi tarafından yerine getirilmelidir. SADECE yetkilendirilmiş olan yedek parçalar ve aksesuarlar kullanılmalıdır.

Herhangi bir servis, aksesuar veya yedek parça ihtiyacı olduğunda şirketimiz müşteri hizmetleri ile irtibata geçin.

DEĞİŞİKLİK VE GELİŞTİRMELER

Ürünlerimizi sürekli olarak geliştiriyoruz. Şirketimiz ilave bilgi vermeksizin makinede değişiklik ve geliştirme yapma hakkını saklı tutmaktadır.

UYGULAMA ALANI

Fırçalayıcı ticari ve endüstriyel kullanıma uygundur. Yumuşak ve katı zemin üzerinde, kalifiye bir personel tarafından emniyet tedbirleri çerçevesinde kullanıma uygundur. Dış mekan, halı veya pürüzlü yüzeylerde kullanıma uygun değildir.

MAKİNE TANIMLAMA VERİSİ

Makine seri numarası ve model adı etiket üzerinde işaretlenmiştir.

Bu bilgi kullanışlıdır. Makine için yedek parça isteği yaparken makine tanımlama bilgilerini yazmak için aşağıdaki tabloyu kullanınız.

MAKİNE MODELİ.....
MAKİNE SERİ NUMARASI.....

TAŞIMA VE PAKETİN AÇILMASI

Nakliyeciyi teslim ederken paketin ve makinenin bütün ve hasara uğramamış olduğundan emin olun. Eğer hasar görmüş ise, nakliyeciyi bildirin ve ürünleri kabul etmeden önce hasarın giderilmesini talep edin.

Makinenin paketini açarken paket üzerindeki talimatlara tamamen uyun.

Paket içerisinde aşağıdakilerin bulunduğunu kontrol edin:

1. Kullanım Kılavuzu ve eğer dahili şarj cihazı donanımlı ise dahili şarj cihazı kılavuzu dahil olmak üzere teknik dokümanlar.
2. Eğer dahili şarj cihazı donanımlı ise şarj kablosu.

GÜVENLİK

Aşağıdaki semboller potansiyel olarak tehlikeli durumları ifade etmektedir. Bu bilgiyi daima büyük bir dikkatle okuyun ve insanların ve eşyaların güvenliğini sağlamak için gereken tüm tedbirleri alın.

MAKİNE ÜZERİNDEKİ GÖRÜNÜR SEMBOLLER



TEHLİKE!

Operatörün ölüm riski de dâhil olmak üzere tehlikeli bir durumu göstermektedir.



UYARI!

İnsanların karşılaşabileceği potansiyel yaralanma riskini gösterir.



DİKKAT!

Önemli veya kullanışlı fonksiyonlara işaret etmektedir. Bu sembol ile işaretlenen paragraflara dikkat edin.



NOT

Önemli veya kullanışlı fonksiyonlara işaret etmektedir.



DANIŞMA

Herhangi bir prosedür gerçekleştirmeden önce Kullanım Kılavuzuna bakma gerekliliğini göstermektedir.

GENEL GÜVENLİK TALİMATLARI

İnsanlara ve makineye karşı meydana gelebilecek potansiyel hasarlar hakkında bilgi vermek için belirlenen uyarı ve dikkat çekilecek hususlar aşağıda gösterilmiştir.



TEHLİKE!

- Bu makine eğitilmiş ve yetkili bir personel tarafından kılavuza uygun olarak çalıştırılmalıdır.
- Herhangi bir temizlik, bakım, tamirat veya değişim işlemi gerçekleştirmeden önce bütün talimatları dikkatlice okuyun, makineyi KAPATTIĞINIZDAN ve batarya bağlantısını çıkardığınızdan emin olun.
- Makineyi zehirli, tehlikeli, yanıcı ve/veya patlayıcı toz, sıvı veya buharların yakınında çalıştırmayın. Makine tehlikeli tozların toplanması için uygun değildir.
- Elektrikli donanım yakınında çalışırken ziynet eşyası takmayın.
- Güvenlik dayanakları ile desteklemeden, lifte alınmış makine altında çalışmayın.
- Kurşun (ISLAK) batarya kullanılırken, normal kullanım şartlarında yanıcı gaz yayabilir, kıvılcım, alev, sigara malzemesi ve ışımaya yapan, aydınlatıcı ve yanıcı malzemeler bataryadan uzak tutulmalıdır.
- Kurşun (ISLAK) bataryaları şarj ederken, patlamaya sebep olabilecek hidrojen gazı yayabilirler. Şarj ortamının iyi havalandırıldığından ve çıplak alevden uzak olduğundan emin olun.



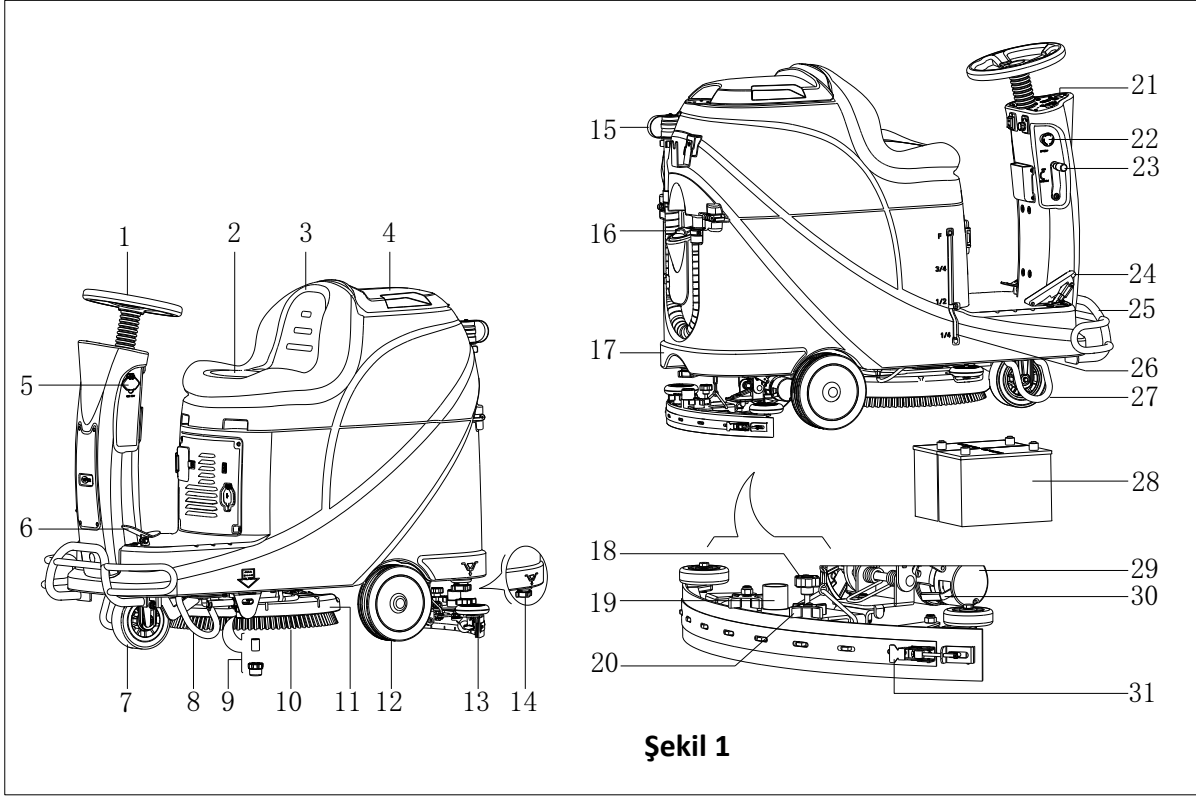
UYARI!

- Her kullanımdan önce makineyi dikkatli bir şekilde kontrol edin. Kullanımdan önce tüm bileşenlerin doğru bir şekilde birleştiğinden emin olun. Yoksa insan veya malzemeye zarar verebilirler.
- Lütfen dâhili şarj cihazını kullanmadan önce prizdeki voltaj değerleri ve frekansın seri numarası etiketi üzerinde yazılanlar ile uyumlu olduğundan emin olun.

- Makineyi asla batarya şarj kablosundan çekerek hareket ettirmeyin. Kabloyu asla kapalı kapı veya keskin kenar veya köşelere sahip döner kapıdan geçirmeyin. Makineyi batarya şarj kablosu üzerinden geçirmeyin. Batarya şarj kablosunu sıcak yüzeylerden uzak tutun. Batarya şarj cihazı kablosu veya fiş hasarlı ise bataryaları şarj etmeyin.
- Yangın, elektrik çarpması veya yaralanma riskini azaltmak için terk etmeden önce makinenin kapalı olduğundan emin olun.
- Makineyi iç mekânda kuru şartlarda kullanın. Dış mekân kullanımı için uygun değildir.
- Makinenin depolama ve çalışma sıcaklığı 0 °C ve +40 °C arasında olmalıdır, havanın nem oranı 30% - 95% arasında olmalıdır.
- Makineyi özelliklerinde belirtilenden daha fazla eğimde kullanmayın.
- Zemin temizleme deterjanlarını kullanırken ve bunlara muamele ederken deterjan kutuları üzerindeki talimatlara uyun ve uygun eldiven ve koruma giyin.
- Makine ile birlikte verilen veya özellikle kullanım kılavuzunda belirtilen fırça ve keçeleri kullanın. Diğer fırça ve keçelerin kullanılması güvenliği azaltabilir.
- Lütfen makinenin bakım eksikliğinden arızalanmasına müsaade etmeyin. Eğer gerekli ise yetkili personel veya yetkili Servis Merkezinden yardım isteyin.
- Saç, takı ve gevşek kumaşların makinenin hareket eden parçalarına takılmasını engellemek için gereken tüm tedbirleri alın.
- Makineyi özellikle tozlu alanlarda kullanmayın. Makineyi doğrudan veya basınçlı su ile veya korozyona sebep olabilecek maddelerle yıkamayın.
- Makineyi özellikle de nesnelere düşme riskinin olduğu raf veya yapı iskelelerine çarpmayın.
- Makine üzerindeki sıvı kaplarını yatırmayın, ilgili kap tutucusunu kullanın.
- Zemine zarar vermesini engellemek için fırça/keçenin makine sabit iken çalışmasına müsaade etmeyin.
- Yangın durumunda lütfen kuru toz ihtiva eden yangın söndürücü kullanın. Sıvı yangın söndürücü kullanmayın.
- Makine etiketlerini sökmeyin veya değiştirmeyin.
- Makinenin güvenlik korumalarını bastırıp sıkıştırmayın ve titizlikle normal bakım talimatlarını uygulayın.
- Hava sıcaklığının sıfırın altında olduğu şartlarda makineyi taşırken dikkatli olun. Geri kazanım tankında veya borularda yer alan su donabilir ve makineye ciddi hasar verebilir.
- Eğer yedek parça değişimine ihtiyaç var ise Yetkili Satıcı veya Perakendecilerden ORJİNAL yedek parça siparişi verin.
- Makine olağan şekilde çalışmaz ise veya hasarlı, dış mekâna yerleştirilmiş, suya düşürülmüş gibi bir durumda ise Servis Merkezine geri gönderin.
- Makinenin uygun ve güvenli kullanımını sağlamak için ilgili bölümde gösterilen bakım takviminde yer alan bakımlar yetkili bir personel veya yetkili Servis Merkezi tarafından gerçekleştirilmelidir.
- Özel merkezlerde (bkz. Hurdaya Ayırma bölümü) elden çıkarılmayı gerektiren belirli standartlara konu olan zehirleyici, zarar verici malzemelerin (bataryalar vb.) varlığı nedeniyle makine uygun bir şekilde elden çıkarılmalıdır.
- Bu makine yalnızca temizleme maksatlıdır, başka bir amaç için değildir.
- Girişleri her zaman hava akışını azaltabilecek toz, saç ve diğer her tür yabancı maddelerden uzak tutun. Eğer girişleri tıkanık ise makineyi kullanmayın.
- Makineyi ancak uygun ışığın var olduğu şartlarda kullanın.
- Bu makine, güvenlikten sorumlu bir kişi tarafından denetim ve gözetim sağlanmadığı sürece, fiziksel, algısal veya zihinsel yetenekleri veya deneyim ve bilgisi az olan kişilerin kullanımı için değildir.
- Çocukların yakınında kullanıldığında yüksek dikkat gerekmektedir.
- Çocuklar, makine ile oynamadıklarından emin olmak için gözetim altında bulundurulmalıdırlar.
- Bu makineyi kullanırken insan veya nesnelere zarar vermemesi için dikkat edin.

MAKİNE TANITIMI

MAKİNE YAPISI (Şekil 1'de gösteril diği gibi)

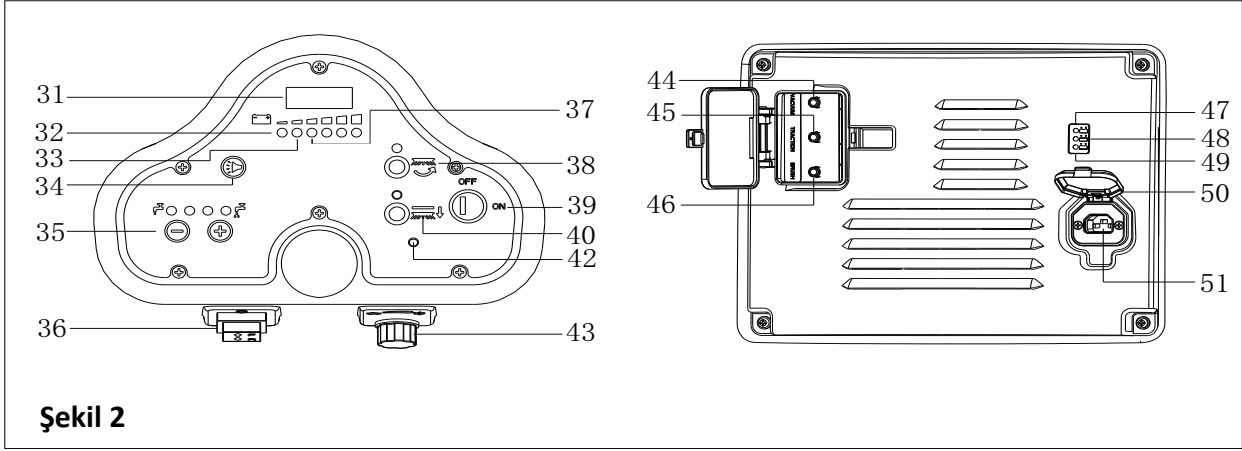


1. Direksiyon
2. Koltuk yastığı
3. Geri kazanım tankı
4. Geri kazanım tank kapağı
5. USB şarj için giriş
6. Pedal
7. Ön tekerlek
8. Sol destek dirseği
9. Solüsyon Filtresi
10. Fırça
11. Fırça yeri
12. Arka tekerlek
13. Silecek
14. Solüsyon çıkış noktası kapağı
15. Atık su boşaltma hortumu
16. Su giriş kapağı

17. Solüsyon tankı
18. Silecek ayarlama topuzu
19. Vakum motoru
20. Silecek topuzu
21. Kontrol paneli
22. Acil durum anahtarı
23. Silici kaldırma/indirme kolu
24. Hızlandırma pedalı
25. Ön tampon
26. Solüsyon seviye göstergesi
27. Sağ destek dirseği
28. Batarya
29. Sürüş motoru
30. Fren blok dirseği
31. Silecek kilidi

MAKİNE TANITIMI

KONTROL PANELİ (Şekil 2'de gösterildiği gibi)



Şekil 2

- | | |
|---|---|
| 31. LED ekran | 42. Sürüş motoru problemi ışığı |
| 32. Boşalmış batarya uyarı ışığı (Kırmızı) | 43. Hız ayarlama topuzu |
| 33. Yarı-boşalmış batarya göstergesi (Sarı) | 44. Vakum motoru aşırı yük koruması |
| 34. Korna düğmesi | 45. Sürüş motoru aşırı yük koruması |
| 35. Solüsyon hacim ayarlama düğmesi | 46. Fırça motoru aşırı yük koruması |
| 36. İleri-Geri anahtarı | 47. Batarya tam şarj göstergesi (Yeşil) |
| 37. Pil boşaldı göstergesi (Yeşil) | 48. Yarı-şarj olmuş batarya göstergesi (Sarı) |
| 38. Fırça düğmesi | 49. Batarya şarj göstergesi (Kırmızı) |
| 39. Anahtar | 50. Şarj fiş kapağı |
| 40. Fırça kaldırma düğmesi | 51. Şarj fişi |

LED EKLAN GÖSTERGE BİLGİLERİ

DURDU – Makine hareket edemiyor, fırça çalışmayı durdurdu fakat vakum motoru çalışabiliyor
 (00012.3) – Makinenin toplam çalışma süresi 12.3 saat
 LO-(18) – Batarya voltajı 18V'un altında
 U-(25.5) – Batarya voltajı 25.5V
 ERR-01 – Makine geri dönerken silecek kaldırılmadı

ŞARJ GÖSTERGE IŞIĞI EKLAN PENCERESİ (Şekil 2'de gösterildiği gibi)

1. Şarj başlangıcında, şarj cihazının kırmızı LED'i (49) normalde açıktır. Bu şarjın ilk aşamasıdır.
2. Bir müddet şarj ettikten sonra, şarj cihazının üzerindeki kırmızı LED (49) söner, sarı LED (48) yanar, bu şarjın ikinci aşamasıdır.
3. Şarj tamamlandıktan sonra, sarı LED (48) söner, yeşil LED (47) yanar, bu bataryanın tamamen şarj olduğunu gösterir.



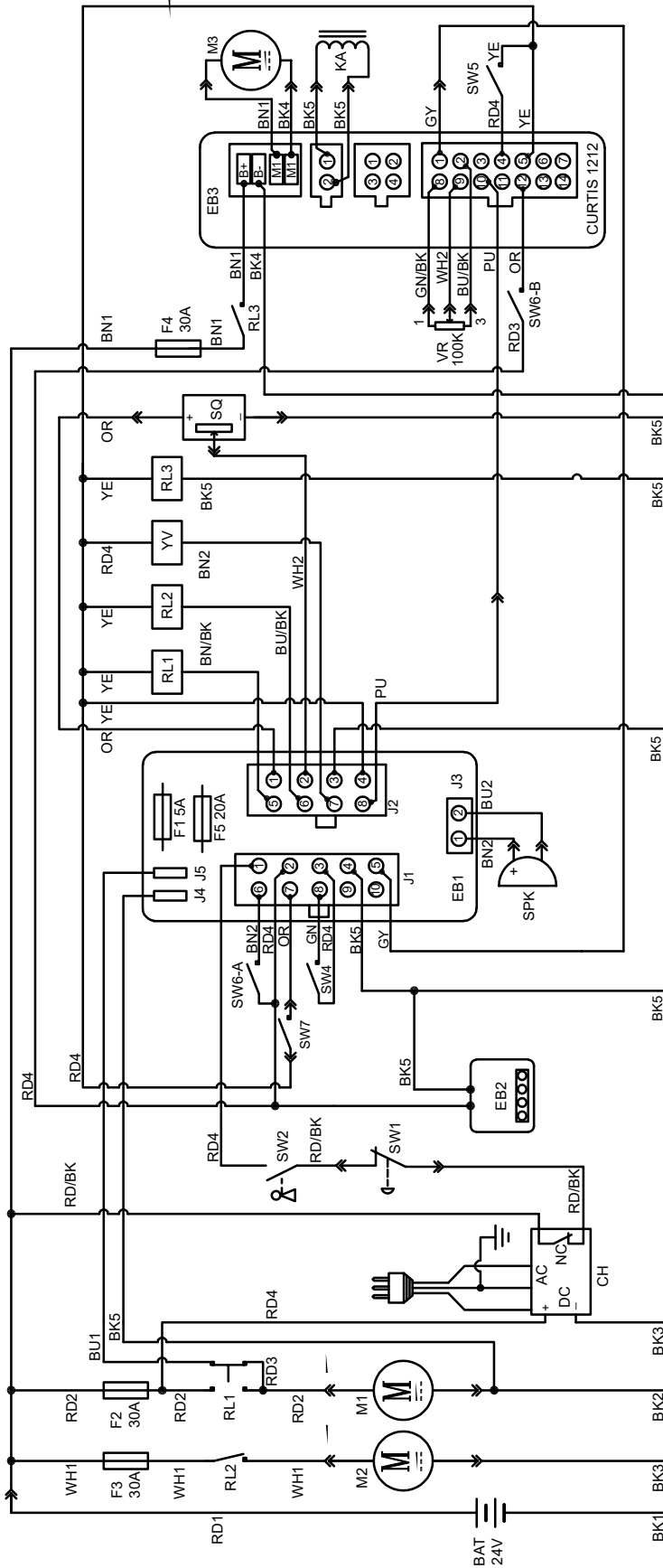
NOT

Şarj sürecinde eğer sarı ışık (48) yanıyorsa, bu şu nedenlerden kaynaklanabilir: Batarya ve şarj cihazı uyumuyor, batarya düzgün bağlanmamış veya çıkış kısa devre.
 Şarj cihazının kırmızı ışığı yanıp sönüyorsa bu şarj cihazının iç kısa devresinden kaynaklanıyor olabilir.

TEKNİK ÖZELLİKLER

MODEL	AS530R	
Paket boyutları (U x G x Y)	mm	1470*730*1310
Makine yüksekliği	mm	1120
Makine uzunluğu	mm	1360
Makine genişliği (silecek hariç)	mm	580
Boş tanklar ile (Bataryasız) makinenin ağırlığı	Kg	140
Brüt araç ağırlığı (BAA - GVW)	Kg	270
Nakliye ağırlığı	Kg	245
Solüsyon tank kapasitesi	Litre	72
Geri kazanım tank kapasitesi	Litre	73
Vakum motor gücü	Watt	400
Vakum kapasitesi	mm H ₂ O	1223
Tırmanma kapasitesi (Maks.)	%	10
Ön tekerlek çapı	mm	φ175
Arka tekerlek çapı	mm	φ230
Ses seviyesi	dB(A)	69
Solüsyon/su akışı	L/dk	0.84-2.0
Çalışma genişliği	mm	530
Silecek genişliği	mm	730
Fırça/keçe çapı	mm	530
Fırça motor gücü	Watt	450
Fırça hızı	Rpm	160
Fırça/keçe basıncı (Maks)	Kg	23
Sürüş motor gücü	Watt	300W
Çalışma hızı	Km/h	5.5km/h
Voltaj	V	24V
Batarya (opsiyonel)	Ah	2x100AH (20 saat)
Batarya şarj aleti (opsiyonel)	V/A	24V 10A
Batarya bölümü büyüklüğü (U x G x Y)	mm	350*380*300
USB şarj cihazı özellikleri	V/A	5V, 0.8A

DEVRE ŞEMASI



WIRE ROD	
RD1	RED/6AWG
RD2	RED/10AWG
RD3	RED/18AWG
RD4	RED/20AWG
RD/BK	RED/BLACK / 20AWG
BK1	BLACK/6AWG
BK2	BLACK/10AWG
BK3	BLACK/12AWG
BK4	BLACK/14AWG
BK5	BLACK/18AWG
BN1	BROWN/14AWG
BN2	BROWN/20AWG
BN/BK	BROWN/BLACK / 20AWG
BU1	BLUE/18AWG
BU2	BLUE/20AWG
BU/BK	BLUE/BLACK / 20AWG
GN	GREEN/20AWG
GN/BK	GREEN/BLACK / 20AWG
GY	GRAY/20AWG
PU	PURPLE/20AWG
OR	ORANGE/20AWG
YE	YELLOW/20AWG
WH1	WHITE/12AWG
WH2	WHITE/20AWG

COMPONENTS	
BAT	24V BATTERIES
CH	BATTERY CHARGER
EB1	CONTROL PANEL BOARD
EB2	USB CHARGING ELECTRONIC BOARD
EB3	DRIVE ELECTRONIC BOARD
RL1	BRUSH MOEOR ELECTROM SWITCH
RL2	VACUUM MOEOR ELECTROM SWITCH
RL3	DRIVE SYSTEM ELECTROM SWITCH
YV	WATER ELECTROVALVE
F1	CONTROL PANEL BOARD FUSE
F2	BRUSH MOTOR CIRCUIT BREAKER
F3	VACUUM MOTOR CIRCUIT BREAKER
F4	DRIVE SYSTEM CIRCUIT BREAKER
F5	BRUSH RELEASE FUSE
KA	BRAKE
M1	BRUSH MOTOR
M2	VACUUM MOTOR
M3	DRIVE MOTOR
SW1	EMERGENCY-STOP SWITCH
SW2	KEY SWITCH
SW4	VACUUM MOTOR SWITCH
SW5	OPTIONAL MODE SWITCH
SW6-A	OPTIONAL REVERSE SWITCH
SW6-B	OPTIONAL REVERSE SWITCH
SW7	SEAT SWITCH
SQ	VACUUM MOTOR CIRCUIT BREAKER
SPK	12VDC BUZZER
VR	SPEED POTENTIOMETER

BİLEŞENLER		BİLEŞENLER	
BAT.	24V BATARYA	M1	FİRÇA MOTORU
ŞJ	BATARYA ŞARJ CİHAZI	M2	VAKUM MOTORU
GK1	KONTROL PANELİ KARTI	M3	SÜRÜŞ MOTORU
GK2	USB ŞARJI ELEKTRONİK KARTI	ANHT1	AÇIL DURUM-DURDURMA ANAHTARI
EK3	ÇEKİŞ ELEKTRONİK KARTI	ANHT2	ANAHTAR
RL1	FİRÇA MOTORU ELEKTRONİK ANAHTAR		
RL2	VAKUM MOTORU ELEKTRONİK ANAHTARI	ANHT4	VAKUM MOTORU ANAHTARI
RL3	ÇEKİŞ SİSTEMİ ELEKTRONİK ANAHTAR	ANHT5	OPSİYONEL MOD ANAHTARI
YV	SU ELEKTROVALFİ	ANHT6-A	OPSİYONEL GERİ ANAHTARI
SG1	KONTROL PANELİ KARTI SİGORTASI	ANHT6-B	OPSİYONEL GERİ ANAHTARI
F2	FİRÇA MOTORU AKIM KESİCİ	ANHT7	KOLTUK ANAHTARI
SG3	VAKUM MOTORU AKIM KESİCİ	SQ	AYAK GAZI
F4	ÇEKİŞ SİSTEMİ AKIM KESİCİ	HPR	12VDC ZİL
SG5	FİRÇA BIRAKMA SİGORTASI	VR	HIZ POTANSİYOMETRESİ
KA	FREN		

KABLO MUHAFAZASI		KABLO MUHAFAZASI	
KM1	KIRMIZI/6AWG	KH/SY	KAHVERENGİ/SİYAH/20AWG
KM2	KIRMIZI/10AWG	MV1	MAVİ/18AWG
KM3	KIRMIZI/18AWG	MV2	MAVİ/20AWG
KM4	KIRMIZI/20AWG	MV/SY	MAVİ/SİYAH/20 AWG
KM/SY	KIRMIZI/SİYAH/20AWG	YŞ	YEŞİL/20AWG
SY1	SİYAH/6AWG	YŞ/SY	YEŞİL/SİYAH/20AWG
SY2	SİYAH/10AWG	GRİ	GRİ/20AWG
SY3	SİYAH/12AWG	MR	MOR/20AWG
SY4	SİYAH/14AWG	TU	TURUNCU/20AWG
SY5	SİYAH/18AWG	SR	SARI/20AWG
KH1	KAHVERENGİ/14AWG	BY1	BEYAZ/12 AWG
KH2	KAHVERENGİ/20AWG	BY2	BEYAZ/20AWG

ÇALIŞTIRMA KILAVUZU



UYARI!

Kullanım kılavuzundaki bu sembollere çok dikkat edin:

- TEHLİKE!
- UYARI!
- DİKKAT!
- DANIŞMA

Makine üzerindeki bu sembolleri her ne nedenle olursa olsun kapatmayın, eğer hasar görürse hemen yenileyin.

YENİ MAKİNE BATARYASININ TAKILMASI VE AYARLANMASI



UYARI!

Eğer bataryalar yanlış bir şekilde yerleştirilir veya bağlanırsa makinenin elektrikli bileşenleri ciddi şekilde zarar görebilir.

Bataryalar sadece kalifiye bir personel tarafından yerleştirilmelidir. Batarya şarj cihazını (opsiyonel) ve devre kartını batarya türüne göre (ISLAK veya JEL/AGM) ayarlayın.

Kurulumdan önce bataryaların hasarlı olup olmadığını kontrol edin.

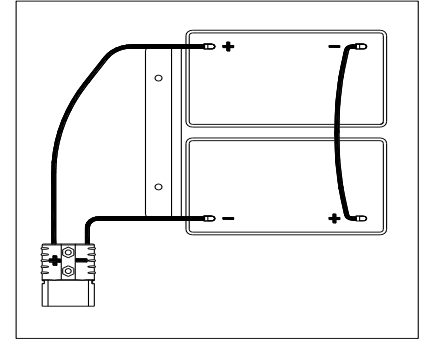
Batarya bağlantısını ve şarj cihazı fişini çıkarın.

Bataryalara dikkatli bir şekilde muamele edin.



NOT

Makine iki adet 12V bataryaya gereksinim duymaktadır ve Şekil 3'e göre bağlanmalıdır.



Şekil 3

Makine aşağıdaki batarya modlarından birinde çalıştırılabilir:

A) SULU veya JEL/AGM yerleştirilip kullanıma hazır olduğunda

1. Bataryaları kontrol edin ve batarya konektörünü makineye bağlayın.
2. Kontak anahtarını (40) takın ve "açık" pozisyona çevirin. Eğer yeşil ışık (37) yanarsa, bataryalar kullanım için tam şarjlıdır; eğer sarı veya kırmızı ışık (33 veya 32) yanarsa, bataryalar şarj edilmelidir.

B) Bataryasız Olarak

1. Eğer makinenizde batarya bulunmuyorsa, uygun batarya satın alın [Bakınız, Teknik Veriler Paragrafı]. Batarya seçimi ve kurulumu için kalifiye batarya Satıcılarına başvurun.
2. Bataryalar hazır olduğunda, makine ve batarya şarj cihazını kurulmuş olan batarya türüne göre ayarlayın, daha sonra bir sonraki paragrafta gösterilen prosedürleri uygulayın.

BATARYA KURULUMU VE BATARYA TİPİNİN AYARLANMASI (ISLAK veya JEL/AGM)

Makinenin elektronik devre kartı ve batarya şarj cihazını batarya türlerine (ISLAK veya JEL/AGM) aşağıdaki adımları kullanarak ayarlayın:



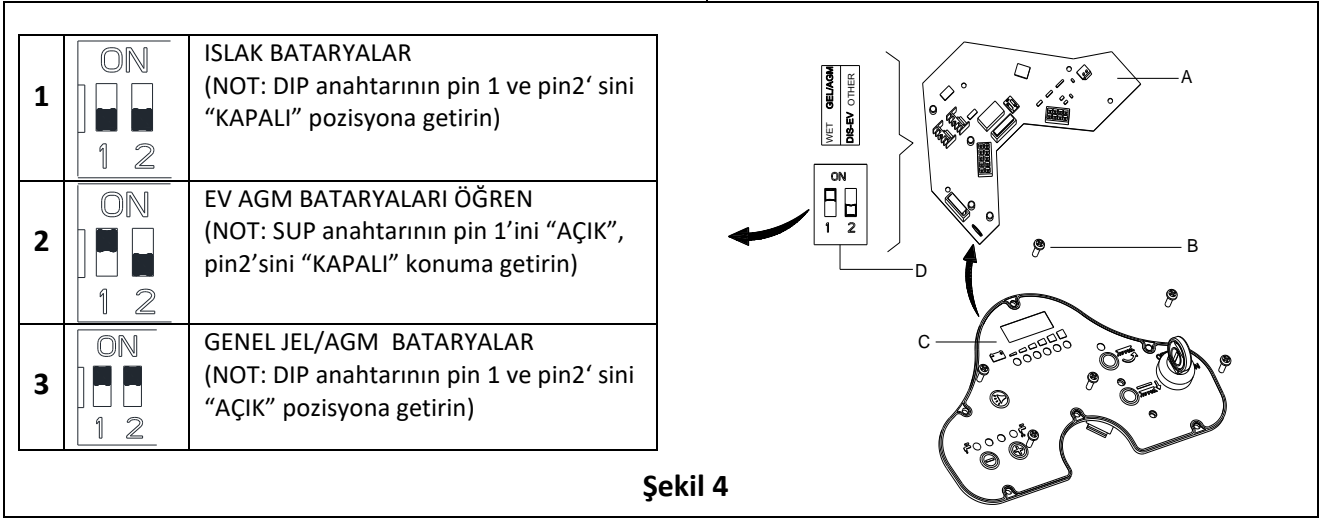
NOT

Yeni batarya kurduğunuzda, DIP anahtarını ayarlamak için Şekil 4'ü takip edin, yoksa yanlış ayarlamadan dolayı bataryalarınız zarar görebilir.

Makine ayarı

1. Kontak anahtarını (40) takın ve "AÇIK" pozisyona getirin, makinenin çalışmasının ilk saniyelerinde aşağıdakilere dikkat edin:
 - Eğer yeşil ışık (37) yanıp sönüyorsa, makine JEL/AGM batarya kullanımına ayarlanmıştır.
 - Eğer sarı ışık (33) yanıp sönüyorsa, makine Discover EV AGM batarya kullanımına ayarlanmıştır.
 - Eğer kırmızı ışık (32) yanıp sönüyorsa, makine ISLAK batarya kullanımına ayarlanmıştır.
2. Makine ayarlarını değiştirmek için aşağıdaki adımları izleyin.
3. Makinenin fabrika ayarı Discover EV AGM bataryaları kullanacak şekildedir. Eğer ayar seçilen bataryalara uyuyorsa, doğrudan adım 6'ya gidin veya aşağıdaki adımları izleyin.

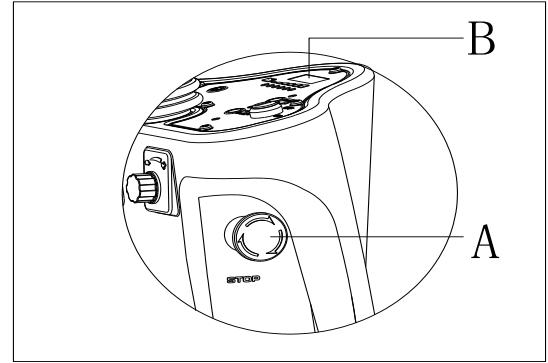
- Kontrol paneli üzerindeki vidayı (B, Şekil 4) sökün, daha sonra DIP anahtarını (D) bulmak için panel üzerindeki PCBA (A) kartını ters çevirin (D), DIP ayarları için Şekil 4'ü izleyin.
- Kontrol panelini yerine takmak için sökme işleminin tersi adımları gerçekleştirin ve ayarlama yapıldıktan sonra vidayı kilitleyin.



Şekil 4

Batarya yerleştirme

- Geri kazanım tank kapağını (4) açın ve geri kazanım tankının (3) boş olup olmadığını kontrol edin; eğer boş değilse boşaltma hortumu ile boşaltın (15).
- Geri kazanım tank kapağını (4) kapatın.
- Geri kazanım tankını (3) dikkatlice ters çevirin.
- Makine 2x12V bataryaya uygun kablolar ile gelmektedir. Bataryaları yerine dikkatlice yerleştirin ve doğru bir şekilde monte edin.
- Batarya kablosunu (Şekil 3)'te gösterildiği şekilde yerleştirin ve takın, daha sonra her bir terminal üzerindeki somunu dikkatlice sıkın.
- Her bir terminal üzerindeki koruyucu kapağı yerleştirin ve daha sonra batarya bağlantısını bağlayın.
- Geri kazanım tankını (3) dikkatlice alçaltın.



Şekil 5

Bataryaların Şarj Edilmesi

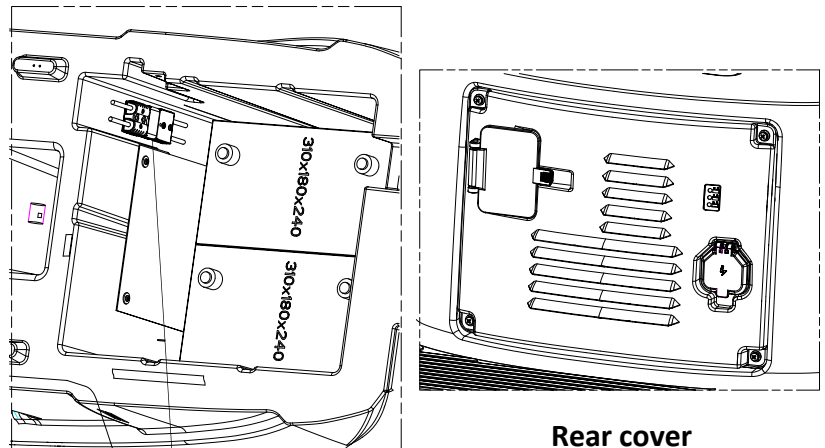
- Bataryaların şarj edilmesi. [BAKIM bölümlerine bakın].

Batarya şarj cihazı ayarı (yalnızca takılıysa dahili şarj cihazı için)

Batarya şarj cihazı

Batarya şarj cihazı arka kapağın içinde bulunur ve doğrudan bataryalara bağlıdır. Şarj cihazı mikro işlemci kontrollüdür ve çeşitli batarya türlerinde en uygun performansı elde etmek için farklı şarj eğrilerini kullanır.

- Bataryalara giden kablo konektörünü ayırın.
- Arka Kapakları çıkarın.
- 4 adet vidayı (B) sökün ve şarj cihazını (A) çıkarın.



Disconnect the connector

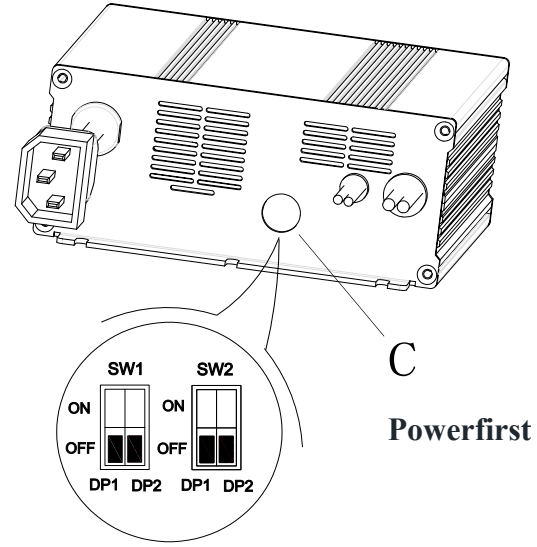
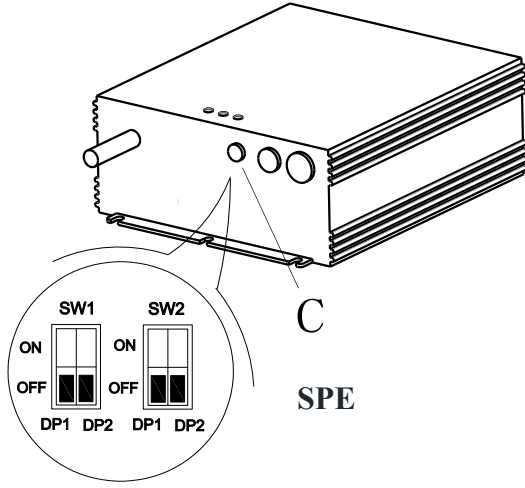
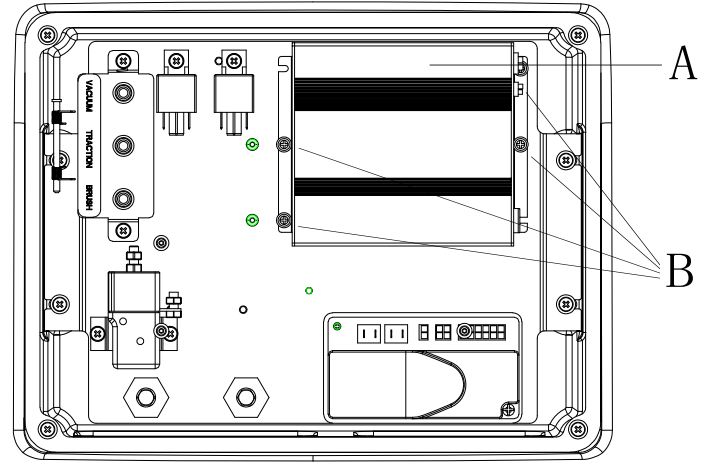
Rear cover

Batarya Tipi Dip Anahtarları

Şarj cihazının çalışması, arka kapağın içinde bulunan 4 adet (2 çift) dip anahtarıyla kontrol edilir. Şarj cihazı değiştirilmediyse ikinci 2 anahtara kesinlikle dokunulmamalıdır ve bunların konumlarının doğrulanması, batarya geriliminin (24V) ve maksimum amper değerinin (10A) ayarlanması gerekir, ayrıca bu daima Kapalı konumda olmalıdır.

İlk 2 anahtara şarj cihazını açmadan bir plastik tapadan erişilebilir. Bu anahtarlar her batarya tipi için kullanılan şarj eğrisi tipini belirlerler. Eğri tipi, şarj çevriminin birbirinden farklı aşamalarında bataryaya uygulanan akım ve gerilimin şekil ve büyüklüğünü tanımlar.

1. DIP anahtarı erişim deliğini (C) kapatan plastik tapayı çıkarın.
2. İlk 2 DIP anahtarını (SW1) aşağıdaki tablo verilerine göre ayarlayın.
3. Plastik tapayı geri takın.



Curve/Battery Type	SW1		SW2	
	D1	D2	D1	D2
IUIa Wet	On	Off		
IUIa Gel Exide	Off	Off	Off	Off
IUoU AGM	Off	On		
IUIa AGM Discover	On	On		

Curve/Battery Type	SW1		SW2	
	D1	D2	D1	D2
IUIa Wet	On	Off		
IUIa Gel Exide	Off	Off	Off	Off
IUUa AGM	Off	On		
IUIa AGM Discover	On	On		

ACİL DURUM FRENLEMESİ

Eğer makine kullanımı esnasında herhangi bir acil durum meydana gelirse, acil durum düğmesine (A, Şekil 5) basın, makinenin bütün fonksiyonları duracaktır, kontrol panelinde herhangi bir ekran yoktur (B, Şekil 5)

FIRÇA/KEÇENİN TAKILMASI VE SÖKÜLMESİ



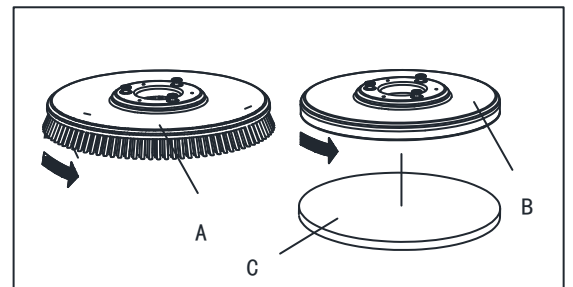
NOT

Temizlenecek olan zeminin türüne göre fırça (A, Şekil 6) veya keçeyi (B ve C, Şekil 6) takın.



DİKKAT

Fırça veya keçe kurulumu veya sökülmesinden önce makine üzerindeki bütün anahtarların kapalı olduğundan ve sileceğin zeminden kaldırılmış olduğundan emin olun. Kullanıcı kaza riskini azaltmak için eldiven gibi uygun kişisel koruma cihazları ile donatılmış olmalıdır. Şu şekilde devam edin:



Şekil 6

1. Kontak anahtarını (40) takın ve "AÇIK" pozisyona çevirin.
2. Fırça takımını (11) zeminden kaldırmak için pedala (6) ileri doğru basın.
3. Hız ayarlama topuzunu (42) saat yönünün tersine sonuna kadar döndürün.
4. Fırça (A, Şekil 5) veya keçeyi (B, Şekil 5) fırça yerine yerleştirin.
5. Fırça takımını (11) alçaltmak için pedala (6) ayak ile geriye doğru basın. Koltuğa oturun, fırça düğmesine (39) basın ve pedala (23) ayağınızı hafifçe basın, fırça/keçe otomatik olarak takılabilecektir. Bu adımları fırça/keçe takılana dek tekrarlayın.
6. Eğer adım 5'te fırça/keçe takılması başarılı değilse, lütfen fırça/keçeyi elinizle indirin.
7. Fırça takımını (11) zeminden yükseltmek için pedalı (6) ayak ile ileriye doğru basın, otomatik olarak çıkarmak için fırça çıkarma düğmesine (41) basın.

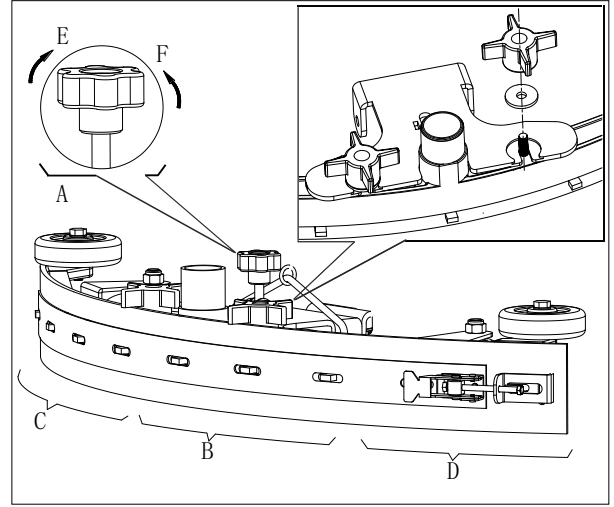


DİKKAT!

Çalıştırdığında makinenin çok hızlı hareket etmesini engellemek için hız pedalına (6) basmadan önce, hız ayarlama topuzunu (42) en düşük seviyeye getirin. Makine çalışmadan önce fırça/keçenin doğru bir şekilde takıldığından emin olun.

SİLECEĞİNDENGESİNİN AYARLANMASI

1. Sileceği (13) yerleştirin ve silecek topuzunu (20) sıkıştırın, daha sonra vakum hortumunu (19) sileceğe takın.
2. Sileceği silecek ayarlama kolu (A, Şekil 7) ile ayarlayın.
 - a) Eğer arka silecek bıçağının (B) zemin ve orta bölümü arasında boşluk var ise topuzu (A) saatin aksi yönünde (F) arka silecek bıçağının tüm bölümleri zemin ile iyi bir şekilde temasa geçecek ve ön bıçak zemine hafifçe temas edecek şekilde ayarlayın.
 - b) Eğer arka silecek bıçağının zemin ve her iki ucu arasında boşluk var ise (C ve D) topuzu (A) saat istikametinde (E) arka silecek bıçağının tüm bölümleri zemin ile iyi bir şekilde temasa geçecek ve ön bıçak zemine hafifçe temas edecek şekilde ayarlayın.



Şekil 7

SOLÜSYON TANKI DOLDURMA

1. Su giriş kapağını açın (E, Şekil 8).
2. Filtreli su girişinden iş performansına uygun olan su veya solüsyonu doldurun. Solüsyon sıcaklığı +104F (+40°C) 'yi aşmamalıdır.
3. Tankı aşırı doldurmayın, su hacmi için su seviyesi göstergesine (G) bakın.



UYARI!

Sadece otomatik ovma uygulamaları için olan düşük köpüklü, yanmaz deterjanları kullanın.

Sürüş motor özellikleri

1. Kontak anahtarını (A, Şekil 9), "AÇIK" konuma getirin
2. Hız pedalına (C) hafifçe basın, daha sonra makinenin ileri hareket ettirebildiğini ve durdurulabildiğini kontrol etmek için gevşetin.
3. Güvenlikten emin olmak için, acil durum düğmesine (B) basıldığında makinenin hemen durdurulabildiğinden emin olun. Eski haline getirmek için acil durum düğmesini çevirin.



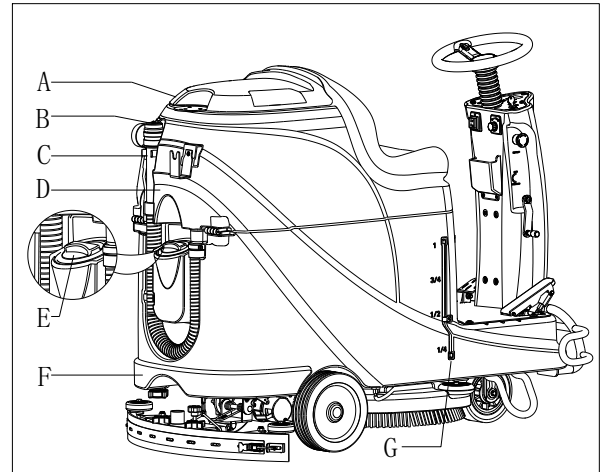
DİKKAT

Makinenin tırmanma kapasitesinden dolayı eğim %10'u geçmemelidir.



DİKKAT

Motor normal bir şekilde çalıştığında sürüş motorunun freni serbesttir, motor çalışması durduğunda fren kilitlenir.



Şekil 8

- Fren serbest - fren kolu (D, Şekil 9) yukarıda yer almaktadır
 - Fren kilitli – fren kolu aşağıda yer almaktadır
- Makine paketleme/paket açma, makine arızası vb. gibi bazı özel durumlarda sürüş motoru çalıştırılmadan makinenin hareket ettirilmesi gerektiğinde, lütfen fren kolunu kullanarak freni serbest bırakın.
- Herhangi bir güvenlik riskine engel olmak için, makinenin hareket ettirilmesinden sonra freni kilitli konuma getirin.

MAKİNEİN ÇALIŞTIRILMASI VE DURDURULMASI

Makinenin çalıştırılması

1. Daha önceki paragrafta gösterildiği şekilde makineyi hazırlayın.
2. Koltuğa (L, Şekil 10) oturun, kontak anahtarını (A) takın ve “AÇIK” konumuna çevirin. Eğer yeşil ışık (C) yanıyorsa, bataryalar kullanım için tam şarj durumundadır. Eğer sarı ışık (E) veya kırmızı ışık (D) yanıyorsa, kullanımdan önce bataryalar şarj edilmelidir. [Batarya şarjı için BAKIM bölümlerine bakınız]
3. Silecek takımını zemine alçaltın.



NOT

Makine geriye doğru hareket etmeden önce silecek takımının kaldırıldığından emin olun yoksa Makine duracak ve LED ekranda “Hata” bilgisi gösterilecektir.

4. Fırça takımını zemine alçaltın.



NOT

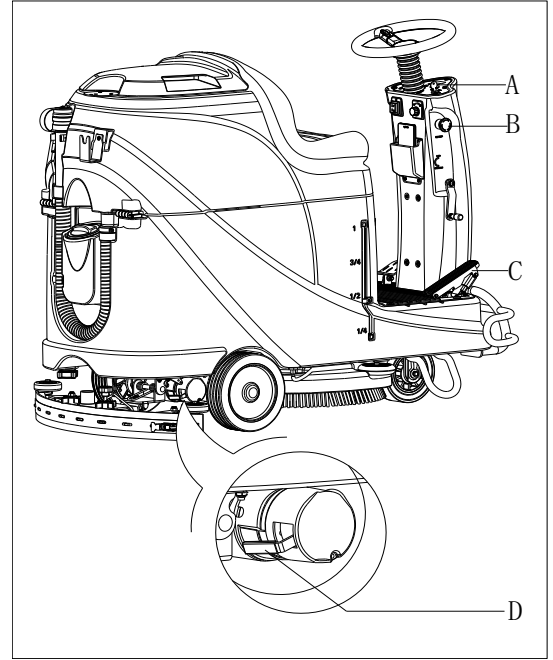
Fırça takımı kaldırılmadan önce fırça düğmesinin kapatıldığından emin olun ve makine ileri/geri hareket etmeden önce fırça takımını kaldırın.

5. Fırça düğmesine (B) basın
6. Hız pedalına (R) basın, makineyi direksiyon (N) ve ileri-geri anahtarı (H) ile ileriye veya geriye doğru kullanın, makinenin hızını, hız ayarlama topuzu (I) ile ayarlayabilirsiniz.
7. Zemin temizleme gereksinimine göre solüsyon ayarlama düğmesi (G) ile solüsyon akışını ayarlayın.
8. Kontak anahtarı (A) “AÇIK” pozisyonda iken, telefonunuzu veya tabletinizi USB şarj portu (M) ile şarj edebilirsiniz.
9. Gerekliğinde insanları uarmak için korna (F) düğmesine basın.
10. Makinenin acil durumda durdurulması için gerektiğinde acil durum düğmesine basın.

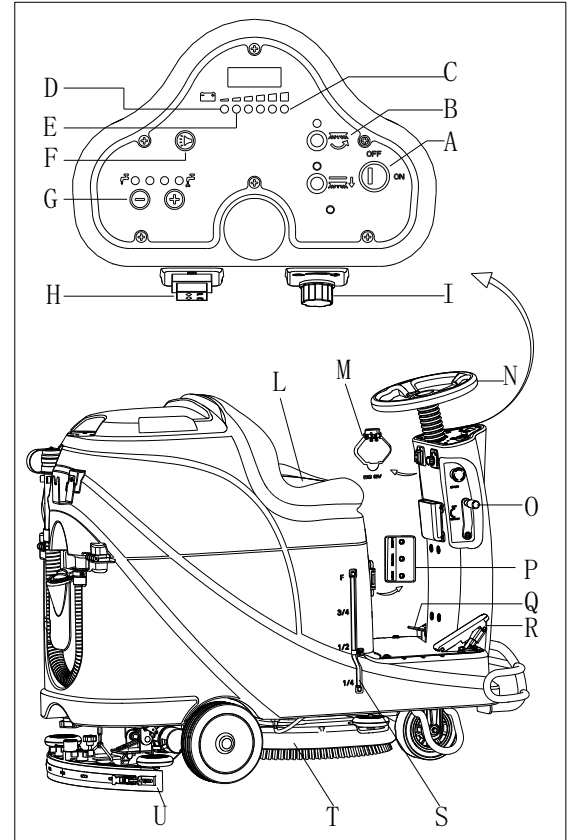


NOT

Fırça motoru, vakum motoru, sürüş motoru ve kontrol devresi, aşırı yük koruması (P) tarafından korunmaktadır. Aşırı yük koruması devreye girdiğinde, ana sebebini bulmadan hemen eski konumuna getirmeyin ve eski konumuna getirilmeden önce motorun soğuduğundan emin olun.



Şekil 9



Şekil 10

Makinenin durdurulması

11. Hız pedalını (R, Şekil 10) gevşetin, makinenin çalışması duracaktır.
12. Fırça motorunu durdurmak için fırça düğmesine (B) basın.
13. Pedala basarak (Q) fırça takımını (Q) kaldırın.
14. Silecek kaldırma/indirme kolu (O) ile silecek takımını (U) kaldırın ve birkaç saniye sonra vakum sistemi kapanacaktır.

15. Kontak anahtarını "KAPALI" konuma getirin
16. Makinenin durduğundan emin olun.

MAKİNEİNİN ÇALIŞTIRILMASI (SİLME VE KURUTMA)

1. Makineyi önceki paragraflardaki prosedürlere göre çalıştırın.
2. "Makinenin çalıştırılması" bölümündeki prosedürlere göre temizliğe başlayın.
3. Gerekliğinde, "Silecek dengesinin ayarlanması" bölümüne göre sileceği ayarlamak için makineyi durdurun.



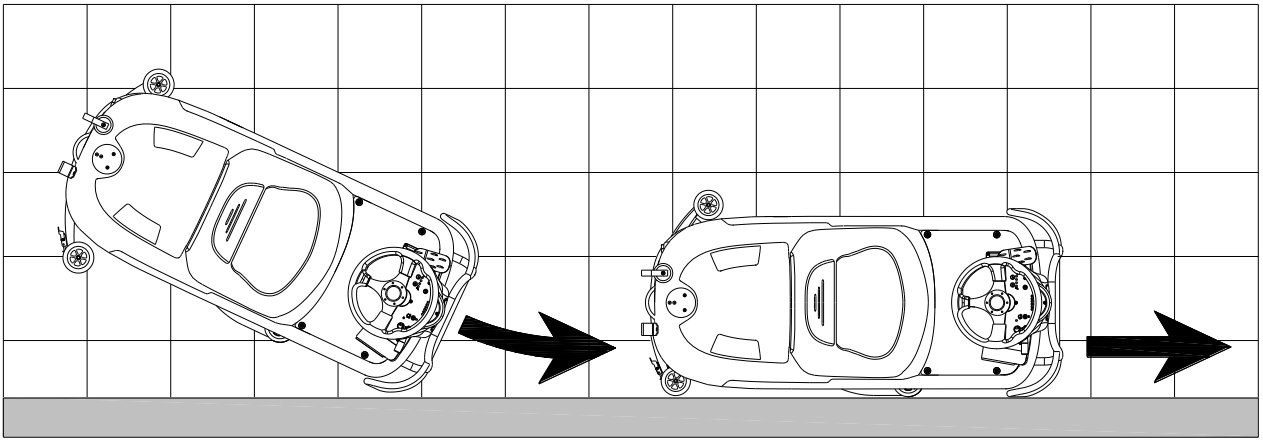
DİKKAT!

Zemin yüzeyinde herhangi bir hasar meydana gelmemesi için makine bir yerde durduğunda fırça/keçe-tutucuyu kapatın.



NOT

Zeminin duvar kenarlarında doğru bir şekilde fırçalanması/kurulanması için, makineyi aşağıdaki şekil 11'de gösterildiği gibi doğru tarafla duvar kenarlarına yaklaştırmayı öneririz.



Şekil 11

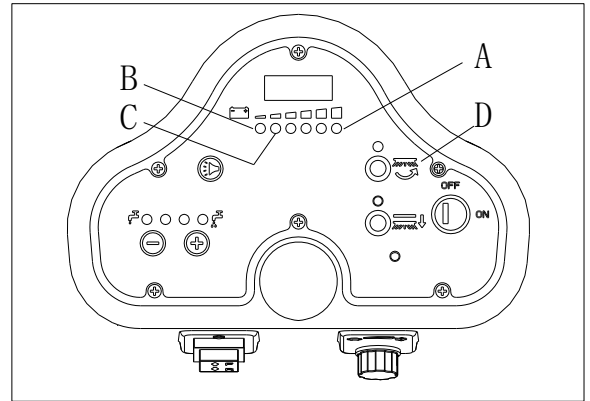
Çalışma esnasında batarya şarjı

Yeşil ışık (A, Şekil 12) yanıyorken, bataryalarda makinenin normal çalışması için yeterince güç bulunmaktadır; bütün yeşil ışıklar kapandığında, sarı ışık (C, Şekil 12) yanıyorsa, bataryaların gücü çok düşüktür, lütfen bataryaları şarj edin; kırmızı ışık (B, Şekil 12) yanıp sönüyorsa, bataryalar boşalmıştır, birkaç saniye sonra vakum motoru ve fırça motoru otomatik olarak kapanacaktır, lütfen hemen makineyi şarj yerine götürün.



DİKKAT!

Bataryaların zarar görmemesi ve çalışma ömürlerinin kısaltılmaması için bataryalar boş iken makineyi kullanmayın.



Şekil 12

TANK BOŞALTMA

Otomatik şamandıralı bir kapatma sistemi (B, Şekil 13) geri kazanım tankı (C) dolduğunda vakum sistemini bloke eder. Vakum sisteminin devreden çıkması vakum sistem motorunun ses frekansında ani bir artıştan ayrıca zeminin kurumamasından anlaşılabilir.



DİKKAT!

Eğer vakum sistemi kazara kapadı ise (örneğin ani bir makine hareketi ile şamandıra aktif hale geldiyse) işleme devam etmek için: anahtara (D, Şekil 12) basarak vakum sistemini kapatın, daha sonra kapağı (A, Şekil 11) açın ve ızgara (B) içerisindeki şamandıranın su seviyesinin altına gidip gitmediğini kontrol edin. Daha sonra kapağı (A) kapatın ve anahtara (D, Şekil 12) basarak vakum sistemini açın.

Geri kazanım su tankı (C, Şekil 13) dolduğunda, aşağıdaki prosedüre göre boşaltın.

Geri kazanım su tankının boşaltılması.

1. Makineyi durdurun.
2. Pedala (G) basarak, fırça/keçe tutucu iskelesini (H, Şekil 12) kaldırın.
3. Kol (H) ile sileceği kaldırın.
4. Makineyi belirlenen elden çıkarma noktasına götürün.
5. Geri kazanım su tankını hortum ile boşaltın (D). Daha sonra tankı temiz su ile durulayın.



DİKKAT!

Atık suyu boşaltırken, boşaltma hortumu (A, Şekil 14) katlanmalı ve boşaltma hortumunun kapağını açmadan önce daha alçak bir pozisyona (B, Şekil 14) getirilmelidir. Atık suyun kullanıcının üzerine sıçramaması için boşaltma hortumunun çıkışını dikey konuma getirmeyin.

Solüsyon/temiz su tankı boşaltma

6. "Geri kazanım su tankı boşaltma" bölümündeki 1 ila 4 adımları gerçekleştirin.
7. Solüsyon tankını çıkış kapağında (A, Şekil 15) boşaltın. Ve daha sonra tankı temiz su ile durulayın.

MAKİNEYİ KULLANDIKTAN SONRA

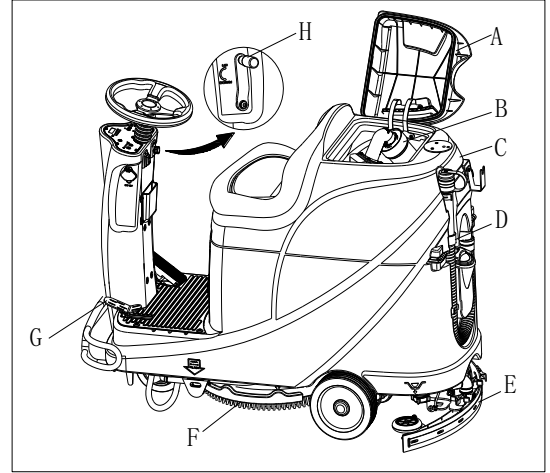
Çalışma sonrası makineyi terk ederken:

1. Fırçaları/keçe tutucuları çıkarın.
2. Tankları (B ve C, Şekil 15) bir önceki paragrafta gösterildiği şekilde boşaltın.
3. Günlük bakım prosedürlerini gerçekleştirin (bkz. Bakım bölümü).
4. Makineyi temiz ve kuru bir yerde, fırçalar/keçe tutucular ve silecek kaldırılmış veya sökülmiş şekilde muhafaza edin.

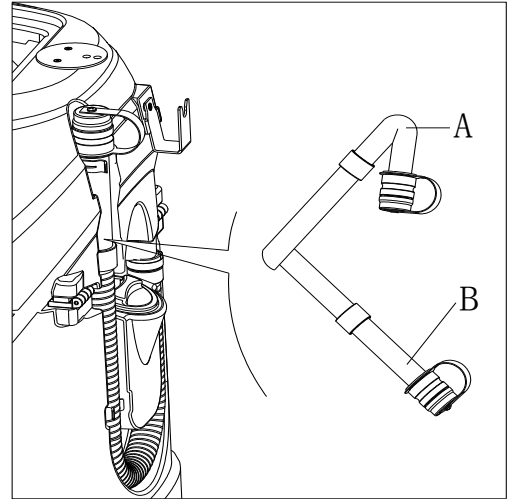
MAKİNEİNİN UZUN SÜRE HAREKETSİZLİĞİ

Eğer makine 30 günden daha fazla kullanılmayacak ise, aşağıdaki şekilde devam edin:

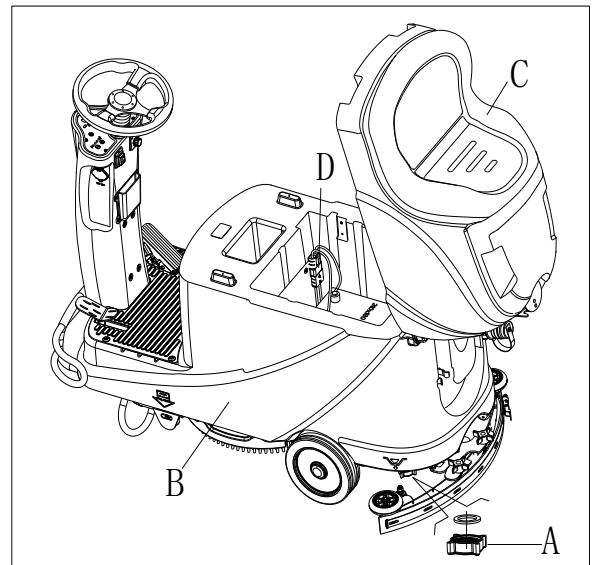
1. "MAKİNEYİ KULLANDIKTAN SONRA" paragrafında gösterilen prosedürleri gerçekleştirin.
2. Batarya bağlantısını (D, Şekil 15) çıkarın.



Şekil 13



Şekil 14



Şekil 15

İLK KULLANIM

Makinenin ilk dokuz saat kullanımından sonra herhangi bir hasar veya anormal durum olup olmadığını kontrol edin, mandal veya bağlantı parçalarının gevşek olup olmadığını kontrol edin.

BAKIM



UYARI!

Bakım işlemleri, makine kapalı iken ve batarya şarj cihazı kabloları çıkarılmış durumda iken gerçekleştirilmelidir. İlave olarak kılavuzdaki güvenlik bölümlerini dikkatlice okuyun.

Tüm planlı ve plansız bakım prosedürleri kalifiye bir personel veya yetkili bir Servis Merkezi tarafından gerçekleştirilmelidir. Bu kılavuz sadece en basit ve en genel bakım prosedürlerini tarif etmektedir.

Aşağıdaki Planlı Bakım Tablosunda yer almayan diğer bakım prosedürleri için şirketimizin herhangi bir Servis Merkezinden elde edilebilecek olan Servis Kılavuzuna bakınız.

PLANLI BAKIM TABLOSU



DİKKAT!

Makine ilk 9 saat kullanımdan sonra (1) ile işaretli olan prosedürler yerine getirilmelidir. thefirst time. (2) ile işaretlenmiş olan prosedürler şirketimiz tarafından yetkilendirilen Servis Merkezi tarafından gerçekleştirilmelidir.

Prosedür	Her kullanımdan sonra, günlük olarak	Haftalık	Altı ayda bir	Yıllık
Batarya şarjı				
Silecek temizleme				
Fırça/Keçe tutucu temizleme				
Tank temizleme				
Tank sızdırmazlık halkası muayenesi				
Şamandıra top filtre temizleme				
Silecek bıçağı kontrolü ve değiştirme				
Su filtresi temizliği				
Emme filtresi temizleme				
İSLAK batarya sıvı seviye kontrolü				
Vida ve somun sıklığı kontrolü			(1)	
Fırça/Keçe tutucu karbon fırça kontrolü veya değiştirme				(2)
Emiş motoru karbon fırçası kontrolü veya değiştirme				(2)
Çekiş sistemi motor karbon fırçasını kontrol edin veya değiştirin (sadece çekiş sistemi ola makinelerde)				(2)
Dönen parçalara yağlama yağı ilave edin			(1)	

BATARYA ŞARJI



NOT

Lütfen sarı LED (32) veya kırmızı LED (33) yandığında veya her bir çalışma döngüsünün sonunda.



DİKKAT

Bataryayı daima tam şarjlı durumda tutmak ömrünü uzatır.



DİKKAT

Eğer batarya seviyesi düşükse mümkün olan en kısa zamanda şarj edin yoksa batarya ömrü azalır. Bataryayı haftada en az bir kez kontrol etmek daha iyi olacaktır.

**DİKKAT!**

Batarya şarj edilirken özellikle çok dikkatli olun, çünkü şarj esnasında asit sızıntısı meydana gelebilir.

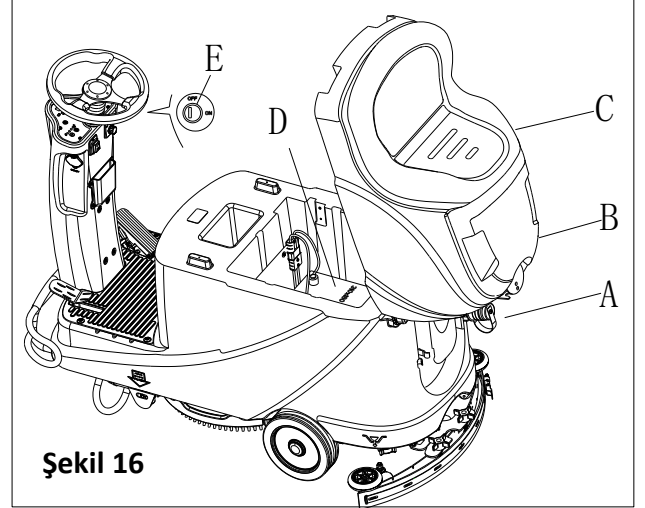
Batarya asidi aşındırıcıdır, eğer kazara cilt veya göz ile temas ederse, hemen bol miktarda temiz su ile durulayın ve doktora gidin.

Bataryaları şarj etmek için hazırlık adımları

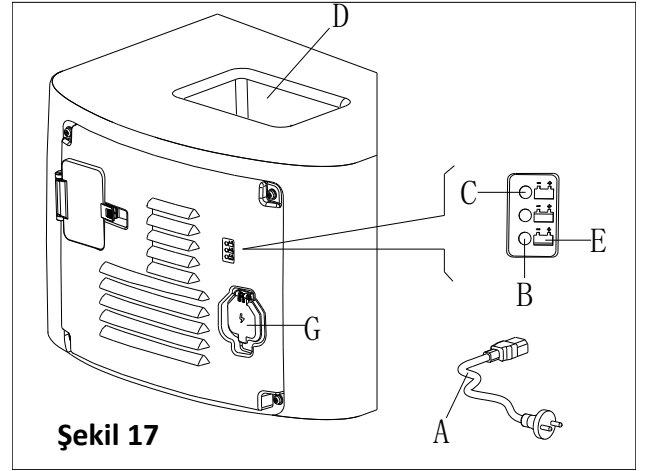
1. Geri kazanım tank kapağını (B, Şekil 16) açın ve geri kazanım tankının (C) boş olup olmadığını kontrol edin; geri kazanım tankını boşaltma hortumu (A) ile boşaltın.
2. Makineyi belirlenen şarj alanına götürün.
3. Kontak anahtarını "KAPALI" konuma getirin.
4. Bu adım sadece ISLAK bataryalar içindir:
 - Gerekirse batarya yüzeyini temizleyin.
 - Bataryaların elektrolit seviyelerini (D) kontrol edin, gerekirse, elektrolit miktarını tamamlamak için kapağı açın tamamladıktan sonra kapatın.
 - Şarj esnasında kapağı açık tutun.
5. Seçilen şarj cihazı türüne göre aşağıdaki şarj modlarından birini seçin.

Batarya şarjı için dahili şarj cihazı kullanın

6. Batarya şarj kablosunu (A, Şekil 17) elektrik başlarına (G) bağlayın ve daha sonra şarj etme dışındaki tüm makine fonksiyonları otomatik olarak kesilecektir. Normal olarak kırmızı LED (B) makinenin şarj sürecinde olduğunu göstermektedir.
7. Yeşil LED (C) yandığında bataryalar tamamen şarj olmuştur.
8. Şarj işlemi tamamlandıktan sonra batarya şarj kablolarını elektrik başlarından çıkarın ve daha sonra batarya şarj kablosunu saklama kutusuna (D) yerleştirin.



Şekil 16



Şekil 17

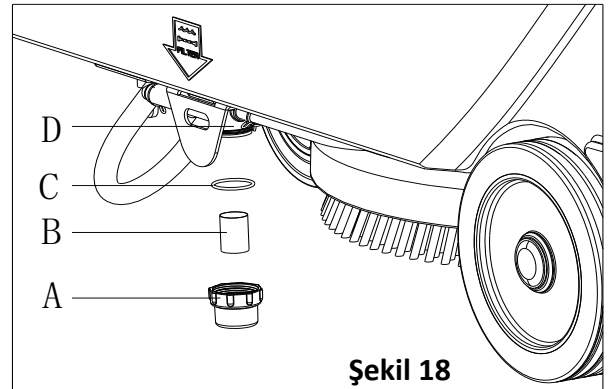
**NOT**

Dahili şarj cihazı (E, Şekil 17) hakkında daha fazla bilgi için, lütfen servis merkezindeki ilgili kılavuza bakın.

FIRÇA/KEÇE TEMİZLEME**DİKKAT!**

Fırça veya keçe tutucuyu temizlerken keskin parçalar bulundurabileceği için eldiven giyilmesi önerilmektedir.

1. Daha önceki bölümlerdeki prosedürlere göre fırça/keçe tutucuyu tabandan ayırın.
2. Fırça/keçe tutucuyu su ve deterjan kullanarak temizleyin.
3. Fırça kıllarının bütünlüğünü ve yıpranma durumunu kontrol edin, gerekirse fırçayı değiştirin.
4. Parlatma keçesinin yıpranma durumunu kontrol edin, gerekirse değiştirin.



Şekil 18

SOLÜSYON FİLTRESİ TEMİZLİĞİ

1. Makineyi düz bir zemine getirin.
2. Makinenin kapalı olduğundan emin olun.
3. Solüsyon tankını boşaltın (opsiyonel adım).
4. Filtre süzgecini (B) temizlemek için solüsyon filtre kapağını (A, Şekil 18) çıkarın ve daha sonra işiniz bitince bunları filtre desteğine (D) geri takın.



NOT

Filtre süzgeci (B), filtre destek yatağı (D) üzerinde doğru bir şekilde konumlandırılmalıdır.

SİLECEK TEMİZLEME



NOT

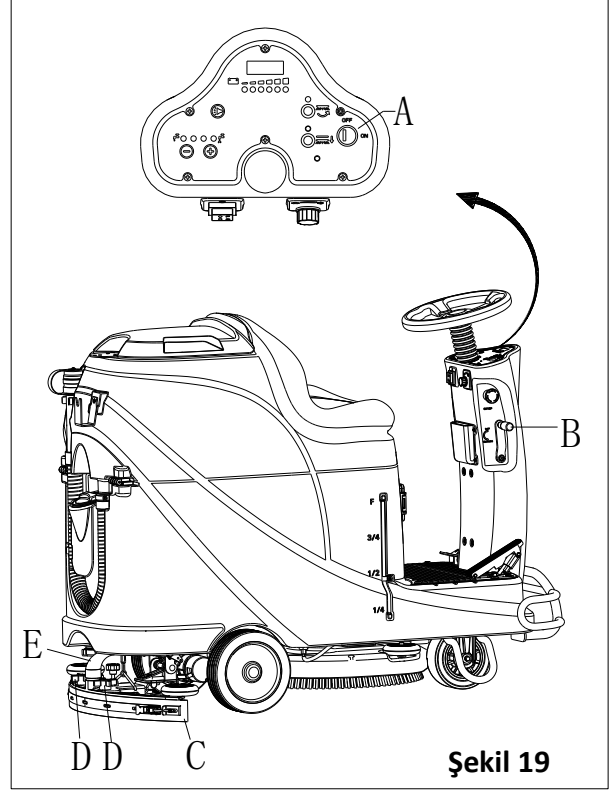
İyi bir kurutma sağlanması için silecek temiz ve bıçakları iyi durumda olmalıdır



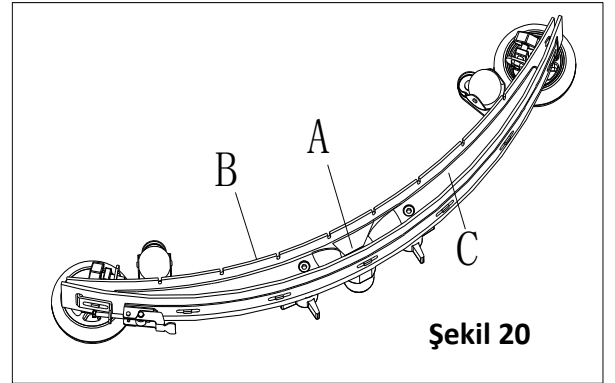
DİKKAT!

Keskin kalıntılar olabileceğinden sileceği değiştirirken koruyucu eldiven giymeniz önerilir.

1. Makineyi düz bir zemin üzerinde sürün.
2. Kontak anahtarını (A, Şekil 19), "KAPALI" konuma getirin.
3. Kol (C) ile sileceği (B) alçaltın.
4. Topuzları (D) gevşetin ve sileceği çıkarın.
5. Vakum hortumunu (E) silecekten çıkarın.
6. Çelik veya alüminyum sileceği, özellikle de kompartmanları (A, Şekil 20) ve delikleri (B) temizleyin. Ön bıçak (B) ve arka bıçağın (C) bütünlüğünü, kesik veya yırtık olup olmadığını kontrol edin, gerekiyorsa müteakip paragraftaki prosedürlere göre değiştirin.
7. Silecek sistemini sökme işleminin tersi sırayla monte ediniz.



Şekil 19



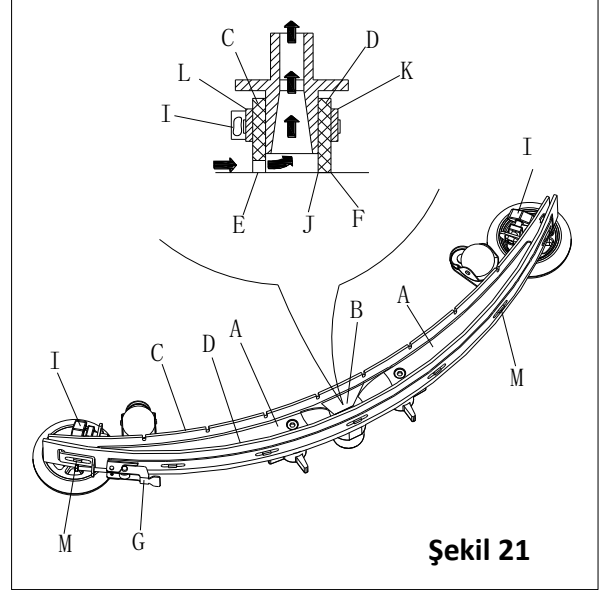
Şekil 20

SİLECEK BIÇAĞI KONTROLÜ VE DEĞİŞTİRME

1. Çelik veya alüminyum sileceği önceki paragrafta gösterildiği şekilde temizleyin.
2. Ön bıçak (C) köşeleri ile arka bıçağın (D) köşelerinin (F) (E, Şekil 21) tüm uzunlukları boyunca aynı seviyede yere indiklerini kontrol edin; gerekirse yüksekliklerini aşağıdaki prosedüre göre ayarlayın:
 - Bağlantı kolunu (G) çıkarın, mandalları (M) çıkarın ve arka bıçağı (D) ayarlayın, daha sonra mandalları (M) takın ve bağlantı kolunu (G) yerine oturtun.
 - Topuzları (I) gevşetin ve ön bıçağı (C) ayarlayın, daha sonra topuzları sıkıştırın.
3. Ön bıçak (C) ve arka bıçakta (D) yıpranma, kesik, yırtılma olup olmadığını kontrol edin; gerekirse bunları aşağıdaki prosedüre göre değiştirin. Arka bıçağın (D) ön köşesinin (J) yıpranmamış olduğunu kontrol edin; gerekirse bıçağın bütünlüğü bozulmamış diğer tarafını çevirin. Eğer diğer köşeler de yıpranmış ise bıçağı aşağıdaki prosedüre göre değiştirin:
 - Bağlantı kolunu (G) çıkarın, mandalları (M) çıkarın ve sabitleme şeridini (K) çıkarın, daha sonra arka bıçağı (D) değiştirin/ters çevirin. Bıçağı söktüğünüzün tersi sırasıyla birleştirin.
 - Topuzları (I) gevşetin ve sabitleme şeridini (L) çıkarın, daha sonra ön bıçağı (C) değiştirin. Bıçağı söktüğünüzün tersi sırasıyla birleştirin. Bıçak değiştirme (veya çevirme) sonrasında daha önceki adımlarda gösterildiği şekilde yüksekliği ayarlayın.
4. Vakum hortumunu (A, Şekil 22) sileceğe bağlayın.
5. Sileceği (B) ve topuzlar üzerindeki vidaları (C) takın.
6. Gerekirse, ayarlama topuzunu (D) kullanarak silecek dengesini ayarlayın.

TANK VE ŞAMANDIRALI VAKUM IZGARASI TEMİZLEME VE KAPAK CONTASI KONTROLÜ

1. Makineyi düz bir zemin üzerinde sürün.
2. Makinenin kapalı olduğundan ve kontak anahtarının (40) kapatıldığından emin olun.
3. Geri kazanım tank kapağını (A, Şekil 23) tanktan görünebilecek şekilde 90 derece döndürün ve daha sonra şamandıra top filtreyi (P) tanktan alın.
4. Geri kazanım tank kapağını (A), geri kazanım tankını (B), temiz su tankını (C) ve şamandıra top filtre destek çerçevesini (E) temizleyin. Geri kazanım tankını tahliye borusu (15) ile boşaltın.
5. Gerekirse, şamandıra top filtrenin alt kapağını (F) açmak için Şekil 23 de gösterildiği gibi "AÇIK" ve "KAPALI" sembollerini takip edin ve daha sonra şamandırayı (D), filtre destek çerçevesini (E) ve filtre süngerini (I) temizleyin. Temizledikten sonra şamandırayı (D), filtre destek çerçevesine (E) sabitleyin ve daha sonra alt kapaktaki (F) işaret oyuğunu (L) şamandıra filtre destek çerçevesinin (E) işaret oyuğu (L) ile hizalayın. Şamandıra top filtrenin alt kapağını sıkın ve filtre süngerini (I) şamandıra filtre destek çerçevesine (E) sabitleyin. En son olarak atık emme hortumuna (M) bağlayın.
6. Tank sızdırmazlık halkasının bütünlüğünü kontrol edin.

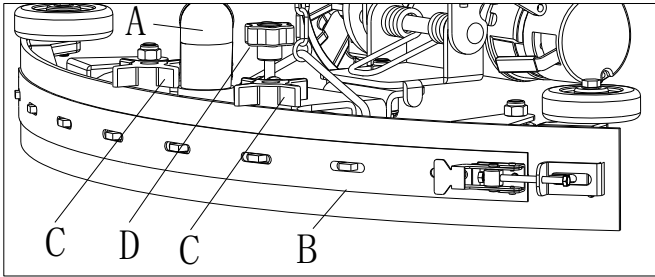


Şekil 21

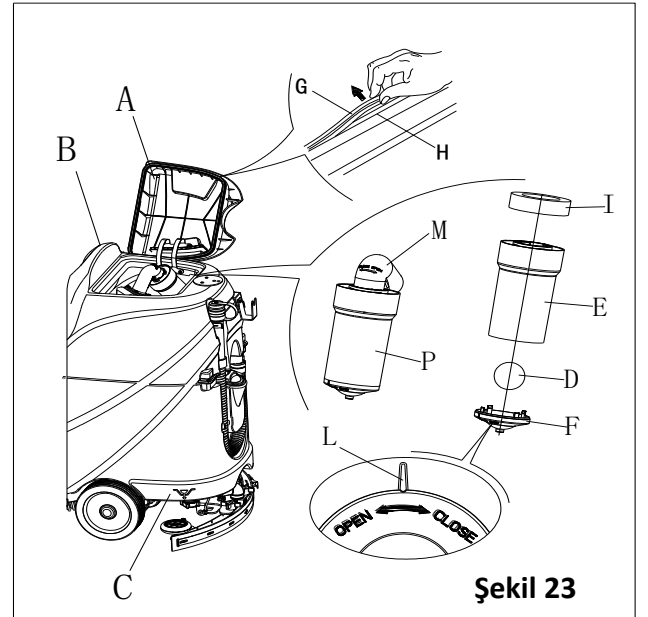
NOT

Tank sızdırmazlık halkası (G), emme motoru çalıştığında tank içerisinde vakum meydana getirmektedir. Zeminden suyun etkin bir şekilde geri kazanım tankına emilebilmesi için tankın etkin bir şekilde kapatılması gerekmektedir.

7. Sızdırmazlık halkasının (G) temas yüzeyinin sağlam ve sızdırmazlığının yeterli olduğunu kontrol edin. Eğer gerekirse su tankının sızdırmazlık halkasını kanaldan (H) çıkarın ve değiştirin. Yeni sızdırmazlık halkasını Şekil 23 da görüldüğü gibi yerine takın, eklenti yeri orta alandaki yerine takılmalıdır.
8. Geri kazanım tank kapağını (A) kapatın.



Şekil 22



Şekil 23

SİGORTA KULLANIMI/DEĞİŞTİRİLMESİ

1. Kontak anahtarını (D, Şekil 24), "KAPALI" konuma getirin.
2. Batarya bağlantı kablosunu çıkarın.
3. Kontrol paneli üzerindeki vidaları (C) sökün ve daha sonra sigortayı (A ve B) bulmak için PCBA'yı ters çevirin.
4. Sigortaları kontrol edin/değiştirin:
 - A) F1, düşük-güç akım sigortasıdır (5A)
 - B) F3, fırça çıkma sigortasıdır (20A)
5. Kontrol/değişiklik yapıldıktan sonra sökümün tersi sırasıyla yeniden birleştirin.
6. Motor korumasını kontrol edin veya eski konumuna getirin.
 - E) F5, vakum motoru aşırı yük korumasıdır (30A)
 - F) F4, sürüş motoru aşırı yük korumasıdır (30A)
 - G) F2, fırça motoru aşırı yük korumasıdır (30A)

AKSESUARLAR/OPSİYONLAR

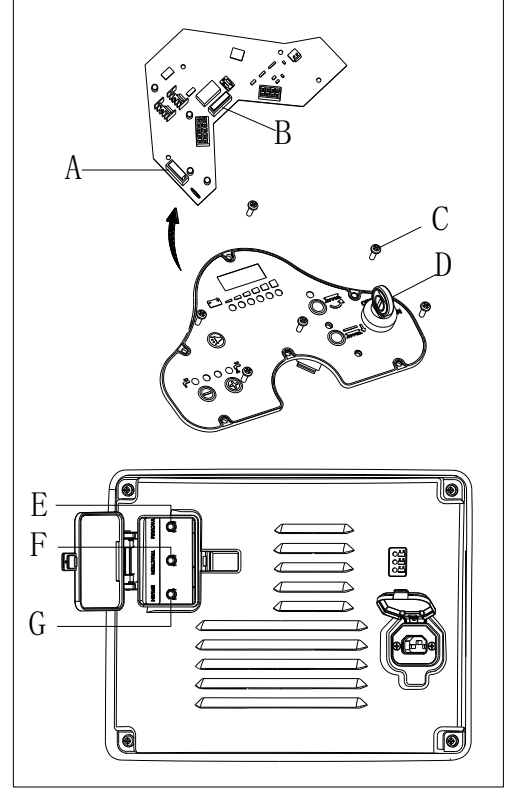
Standart bileşenlere ilave olarak, makine, makinenin özel kullanımına göre aşağıdaki aksesuar/opsiyonlar ile donatılabilir.

Yukarıda bahsedilen opsiyonel aksesuarlar ile ilgili olarak daha fazla bilgi için yetkili Satıcı ile irtibata geçiniz.

Aksesuarlar/Opsiyonlar

"Parça Listesi" bölümüne bakın

1. ISLAK veya JEL/AGM bataryalar
2. Paspas ve çöp kiti



Şekil 24

SORUN GİDERME

Sorun	Muhtemel Nedenler	Çözüm
Motorlar çalışmıyor; hiçbir ikaz ışığı yanmıyor (C9)	Batarya bağlantısı yapılmamış	Batarya konektörünü bağlayın
	Bataryalar tamamen boşalmış	Bataryaları şarj edin
Makine çalışmıyor; kırmızı, batarya kapasite ışığı yanıyor (C8)	Bataryaların seviyesi çok düşük	Bataryaları şarj edin
Makine ileri/geri gitmiyor	Kontrol kartı hatası	Kontrol kartını değiştirin
	Sürüş motoru kontrolör hatası	"SÜRÜŞ MOTORU HATA GÖSTERGE BİLGİLERİNE" bakın
	Kullanıcı koltukta değil	Koltuğa oturun
	Makine geriye doğru giderken silecek kaldırılmamış	Sileceği kaldırın
Fırça motoru çalışmıyor	Kontrol kartı hatası	Kontrol kartını değiştirin
	Fırça motoru aşırı yüklenmiş	Temizleme için uygun, yumuşak kıllı fırça kullanın ve fırça motoru aşırı yük koruyucusunu eski konumuna getirin
	Fırça motoru kontaktör hatası	Satış sonrası servisi ile irtibata geçin
	Fırça motoru karbon fırçası yıpranması	Satış sonrası servisi ile irtibata geçin
	Engeller fırçanın dönmesine mani oluyor	Fırçayı temizleyin
Sürüş motoru çalışmıyor	Sürüş motoru problem ışığı yanıyor	"SÜRÜŞ MOTORU HATA GÖSTERGE BİLGİLERİNE" bakın
	Sürüş motoru aşırı yüklü	Sürüş motoru aşırı yük korumasını eski konumuna getirin ve sürüş motorunu/kartını kontrol edin
Vakum motoru çalışmıyor	Vakum motoru aşırı yüklü	Vakum motoru aşırı yük korumasını eski konumuna getirin ve vakum motorunu kontrol edin

	Vakum motoru röle hatası	Satış sonrası servisi ile irtibata geçin
	Kontrol kartı hatası	Kontrol kartını değiştirin
Yetersiz emiş, zemin kurulanamıyor	Geri kazanım tankı dolu	Geri kazanım tankını boşaltın
	Boşaltma hortumu ve sileceğin zayıf bağlantısı	Boşaltma hortumu ve sileceği doğru şekilde bağlayın
	Şamandıra filtresi tıkalı	Şamandıra filtresini temizleyin ve şamandıra pozisyonunu kontrol edin
	Silecek kirli veya aşınmış	Sileceği kontrol edin ve temizleyin
	Geri kazanım tank kapağı düzgün bir şekilde kapatılmamış veya conta hasar görmüş veya kıvrımlı tüp tıkanmış	Kapağı doğru bir şekilde kapatın veya contayı değiştirin veya kıvrımlı tüpü temizleyin.
	Geri kazanım tankı kirli	Geri kazanım tankını temizleyin
Fırça tepsinine yetersiz solüsyon desteği	Solüsyon filtresi kirli	Filtreyi temizleyin
	Solüsyon tankı boş göstergesi yanıyor	Solüsyon tankının doldurun
	Solüsyon tankı çok kirli	Solüsyon tankını temizleyin
Silecek zeminde çizik bırakıyor	Silecek bıçakları altında artık var	Birikintiyi temizleyin
	Silecek bıçağı yıpranmış, çatlak, eskimiş	Silecek bıçaklarını değiştirin
	Silecek dengesi ayarlanmamış	Silecek dengesini ayarlayın
Sürüş motoru fren hatası	Fren kilitlendi	Fren kilidini açın

SÜRÜCÜ MOTORU HATA GÖSTERGE BİLGİLERİ

LED KODLARI		HATA	MUHTEMEL SEBEP
1,1	□□	TERMAL HATA	1. Sıcaklık >80°C veya <-10°C. 2. Araç üzerinde aşırı yük. 3. Aşırı ortamlarda çalışma. 4. Elektromanyetik fren bırakmıyor.
1,2	□□□	KISMA VALFİ HATASI	1. Kısma valf giriş kablosu açık veya kısa devre. 2. Kısma valf göbeği hasarlı. 3. Yanlış kısma valf türü seçili.
1,3	□□□□	HIZ GÖVDE HATASI	1. Hız sınırlandırma gövde kablo(ları) kırık veya kısa devre. 2. Kırık hız sınırlandırma göbeği.
1,4	□□□□□	DÜŞÜK VOLTAJ HATASI	1. Batarya voltajı <17 volt. 2. Batarya veya kontrolör bağlantı hatası.
1,5	□□□□□□	AŞIRI VOLTAJ HATASI	1. Batarya voltajı >31 volt. 2. Şarj cihazı takılı iken aracın çalıştırılması. 3. Kesik kesik batarya bağlantısı.
2,1	□□□	BAĞLANTI BAŞI KAPALI HATASI	1. Ana bağlantı sürücüsü hatalı şekilde açık.
2,3	□□□□□	BAĞLANTI BAŞI HATASI *	1. Ana kontak kaynak yapmış veya açık kalmış. 2. Ana kontak sürücü hatası.
2,4	□□□□□□	BAĞLANTI BAŞI AÇIK HATASI	1. Ana bağlantı sürücüsü hatalı şekilde kapalı.
3,1	□□□□	KABLO BAĞLANTI HATASI *	1. Yanlış ayarlanmış kısma valfi. 2. Kırık kısma valf gövdesi veya kısma valf mekanizması.
3,2	□□□□□	FREN AÇIK HATASI	1. Elektromanyetik fren sürücüsü kısa devre. 2. Elektromanyetik fren bobini açık.
3,3	□□□□□□	ÖN ŞARJ HATASI *	1. Fren sürücüsü kısa devre. 2. Ön şarj devresi hasarlı. 3. MOSFET hatası.
3,4	□□□□□□□	FREN KAPALI HATASI	1. Elektromanyetik fren sürücüsü açık. 2. Elektromanyetik fren bobini kısa devre.
3,5	□□□□□□□□	HPD HATASI	1. Kısma valfi ve KSI, itme sırası uygun değil veya girişler engelli. 2. Yanlış ayarlanmış kısma valfi gövdesi.
4,1	□□□□□	AKIM SENSÖR HATASI *	1. Motor veya motor bağlantısında kısa devre. 2. Kontrolör hatası.

4,2	□□□□□□	DONANIM ARIZA EMNİYETİ	1. Motor voltajı kısma valfinin gereksinimi ile uyuşmuyor. 2. Motor veya motor bağlantısında kısa devre. 3. Kontrolör hatası.
4,3	□□□□□□□	EEPROM SAĞLAMA TOPLAMI HATASI †	1. EEPROM arızası veya hatası.
4,5	□□□□□□□□□	BATARYA BAĞLANTI HATASI ※	1. Batarya bağlı değil. 2. Batarya terminalleri bağlantısı zayıf.

※ = Silmek için anahtarlar girilmelidir.

† = Silmek için, şu şekilde programlayıcı kullanılmalıdır: Program menüsünü seçin, herhangi bir parametrenin veri değerini değiştirin, anahtar girin.



NOT

Şarj cihazı arızalı iken, dahili şarj cihazı olan makine kullanılamayacaktır, lütfen yardım için kalifiye bakım servisimiz ile irtibata geçin.

HURDAYA AYIRMA

Makinenin kalifiye bir atık işleme kurumu tarafından hurdaya ayrılmasını sağlayın.

Makine hurdaya ayrılmadan önce lütfen ilgili yasa ve düzenlemelere göre uygun bir yolla elden çıkarılması gereken aşağıdaki parçaları sökün ve ayırın.

- Batarya
- Fırça/Keçe tutucu
- Plastik hortum ve plastik parçalar
- Elektrikli ve elektronik parçalar (*)

(*) Lütfen herhangi bir elektrikli ve elektronik bileşenlerin ortadan kaldırılması konusunda servis merkezimiz ile irtibata geçin.

ÜRETİCİ FİRMA:

Viper Cleaning Equipment Co. Ltd.
Viper Industrial Estate
Liangbian, Liaobu,
Dongguan, Guangdong
Çin Halk Cumhuriyeti
Tel: +86-769 83283988
Fax: +86-769-8328 0104

İTHALATÇI FİRMA:

Nilfisk Prof. Tem. Ek. Tic. A.Ş.
Şerifali Mah. Bayraktar Blv. Şehit Sk. No:7,
34775 Ümraniye İstanbul, Türkiye
Tel : +90 216 466 94 94
Faks : +90 216 527 30 32
www.nilfisk.com.tr

ÜRETİM YERİ:

ÇİN HALK CUMHURİYETİ

**ATIK ELEKTRİKLİ ELEKTRONİK
EŞYALAR (AEEE) YÖNETİMİ:**

Satın almış olduğunuz bu ürün, AEEE yönetmeliğine uygundur.

TÜKETİCİNİN SEÇİMLİK HAKLARI

Malın ayıplı olduğunun anlaşılması durumunda tüketici, 6502 sayılı Tüketicinin Korunması Hakkında Kanununun 11 inci maddesinde yer alan;

a- Sözleşmeden dönme,

b- Satış bedelinden indirim isteme,

c- Ücretsiz onarılmasını isteme,

ç- Satılanın ayıpsız bir misli ile değiştirilmesini isteme, haklarından birini kullanabilir.

Tüketicinin bu haklardan ücretsiz onarım hakkını seçmesi durumunda satıcı; işçilik masrafı, değiştirilen parça bedeli ya da başka herhangi bir ad altında hiçbir ücret talep etmeksizin malın onarımını yapmak veya yaptırmakla yükümlüdür. Tüketici ücretsiz onarım hakkını üretici veya ithalatçıya karşı da kullanabilir. Satıcı, üretici ve ithalatçı tüketicinin bu hakkını kullanmasından müteselsilen sorumludur.

Tüketicinin, **ücretsiz onarım hakkını** kullanması halinde malın;

- Garanti süresi içinde tekrar arızalanması,
- Tamiri için gereken azami sürenin aşılması,
- Tamirinin mümkün olmadığı, yetkili servis istasyonu, satıcı, üretici veya ithalatçı tarafından bir raporla belirlenmesi durumlarında; **tüketici malın bedel iadesini, ayıp oranında bedel indirimini veya imkân varsa malın ayıpsız misli ile değiştirilmesini** satıcıdan talep edebilir.

Satıcı, tüketicinin talebini reddedemez. Bu talebin yerine getirilmemesi durumunda satıcı, üretici ve ithalatçı müteselsilen sorumludur.

Satıcı tarafından **Garanti Belgesinin** verilmemesi durumunda, tüketici **Gümrük ve Ticaret Bakanlığı Tüketicinin Korunması ve Piyasa Gözetimi Genel Müdürlüğüne** başvurabilir.

Tüketici, çıkabilecek uyuşmazlıklarda şikayet ve itirazları konusundaki başvuruları yerleşim yerinin bulunduğu veya tüketici işleminin yapıldığı yerdeki **Tüketici Hakem Heyetine veya Tüketici Mahkemesine** başvurabilir.

SADRŽAJ

UVOD	444
SADRŽAJ I SVRHA PRIRUČNIKA	444
Kako držati ovaj priručnik	444
IZJAVA O SUKLADNOSTI.....	444
PRIBOR I ODRŽAVANJE	444
PROMJENE I POBOLJŠANJA.....	444
PODRUČJE PRIMJENE.....	444
PODACI O IDENTIFIKACIJI STROJA	444
PRIJEVOZ I RASPAKIRAVANJE	444
SIGURNOST	445
SIMBOLI KOJI SE NALAZE U PRIRUČNIKU UPUTSTVA ZA UPORABU	445
OPĆE UPUTE ZA SIGURNOST	445
OPIS STROJA	447
STRUKTURA STROJA	447
KONTROLNI PANEL	448
PRIKAZ INFORMACIJA NA LED ZASLONU	448
ZASLON SVJETLOSNIH INDIKATORA	448
TEHNIČKI PARAMETRI.....	449
MREŽNI DIJAGRAM.....	450
OPERATIVNI VODIČ	452
UGRADNJA I POSTAVLJANJE BATERIJE NOVOG STROJA	452
POSTAVLJANJE BATERIJE I PODEŠAVANJE TIPA BATERIJE (WET OR GEL / AGM)	452
PRINUNDO KOČENJE.....	453
UGRADNJA I SKIDANJE ČETKE / JASTUČIĆA.....	453
NAMEŠTANJE USISNIKA.....	454
PUNJENJE SPREMNIKA OTOPINE	454
START I STOP STROJA.....	455
UPORABA STROJA (ISPIRANJE I SUŠENJE).....	456
PRAŽNENJE SPREMNIKA.....	457
NAKON UPORABE STROJA	457
DUŽA NEAKTIVNOST STROJA.....	457
KORIŠTENJE PRVI PUT.....	458
ODRŽAVANJE	458
TABELA RASPOREDA ODRŽAVANJA	458
PUNJENJE BATERIJE	458
ČIŠĆENJE ČETKE / JASTUKA.....	459
ČIŠĆENJE FILTRA OTOPINE.....	460
ČIŠĆENJE USISNIKA	460
PROVJERAVANJE I ZAMJENA LOPATICA USISNIKA	460
PROVJERA REŠETKE SPREMNIKA/ USISNIKA PLUTAJUĆEG PLOVKA I BRTVENE TRAKE	461
PROVJERA / ZAMJENA OSIGURAČA	462
PRIBOR / OPCIJE	462
RJEŠAVANJE PROBLEMA	462
IZBACITI IZ UPORABE	464

UVOD**BILJEŠKA**

Brojevi u zagradama odnose se na komponente prikazane u poglavlju Opis stroja.

SADRŽAJ I SVRHA PRIRUČNIKA

Svrha ovog Priručnika za upotrebu je pružiti operatoru potrebne informacije kako bi stroj koristio ispravno i sigurno. Sadrži informacije o tehničkim podacima, sigurnosti, radu, skladištenju, održavanju, rezervnim dijelovima i kako ga izbaciti iz uporabe.

Prije izvođenja bilo kakvih postupaka na stroju, bez obzira na operatore i kvalificirane tehničare, moraju pažljivo pročitati ovaj Priručnik. Obratite se servisnom centru tvrtke za bilo kakav upit o ovom priručniku ili ako su potrebne dodatne informacije.

Operatori ne smiju izvoditi postupke koje bi trebali obavljati kvalificirani tehničari. Naša tvrtka neće biti odgovorna za štetu koja proizlazi iz nepridržavanja ove zabrane.

Kako držati ovaj priručnik

Priručnik se mora držati u blizini stroja, u odgovarajućem omotu, i dalje od tekućina i drugih tvari koje mogu uzrokovati štetu na njemu.

IZJAVA O SUKLADNOSTI

Deklaracija o sukladnosti se isporučuje s strojem i potvrđuje sukladnost stroja sa važećim zakonom.

**BILJEŠKA**

Kopije izvorne izjave o sukladnosti dostavljaju se zajedno s dokumentacijom stroja.

PRIBOR I ODRŽAVANJE

Sve potrebne postupke za rad, održavanje i popravke mora obavljati kvalificirano osoblje ili naš servisni centar. Trebaju se koristiti samo ovlašteni rezervni dijelovi i pribor.

Obratite se našoj službi za korisnike za bilo kakvu uslugu ili kupnju dodatne opreme ili rezervnih dijelova, ako je potrebno.

PROMJENE I POBOLJŠANJA

Opredijelili smo se za kontinuirano poboljšanje proizvoda, tvrtka zadržava pravo promjene i poboljšanja stroja bez daljnjeg informiranja.

PODRUČJE PRIMJENE

Čistač je namjenjen za komercijalnu i industrijsku upotrebu. Pogodan je za čišćenje glatkih i čvrstih podova, od strane kvalificiranog osoblja u sigurnim uslovima. Nije pogodno za vanjsku upotrebu, čišćenje tepiha ili čišćenje grubih podova.

PODACI O IDENTIFIKACIJI STROJA

Serijski broj stroja i naziv modela označeni su na serijskoj etiketi.

Ove su informacije korisne. Koristite sljedeću tablicu kako biste napisali identifikacijske podatke stroja kada budete zahtijevali rezervne dijelove stroja.

MODEL STROJA
SERIJSKI BROJSTROJA

PRIJEVOZ I RASPAKIRAVANJE

Kada prijevoznik isporučuje stroj, pobrinite se da su ambalaža i stroj potpuni i neoštećeni. Ako je bilo što oštećeno, obavijestite prijevoznika o šteti i prije nego što prihvatite robu pridržite pravo na naknadu štete.

Strogo slijedite upute na pakiranju kada otpakiravate uređaj.

Provjerite paket kako biste osigurali da sadrže sljedeće stavke:

1. Tehničku dokumentaciju uključujući korisnički priručnik i priručnik za punjač na vozilu ako je stroj opremljen punjačem na vozilu.
2. Kabel punjača ako je stroj opremljen punjačem na vozilu.

SIGURNOST

Sljedeći simboli ukazuju na potencijalno opasne situacije. Pažljivo pročitajte ove podatke i poduzmite sve potrebne mjere predostrožnosti kako biste zaštitili ljude i imovinu.

SIMBOLI KOJI SE NALAZE U PRIRUČNIKU UPUTSTVA ZA UPORABU



OPASNOST!

Označava opasnu situaciju s rizikom smrti operatora.



UPOZORENJE!

Označava potencijalni rizik od ozljeda ljudi.



OPREZ!

Označava oprez ili primjedbu vezanu za važne ili korisne funkcije. Obratite pažnju na stavke označene ovim simbolom.



BILJEŠKA

Označava napomenu koja se odnosi na važne ili korisne funkcije.



KONZULTACIJA

Ukazuje na nužnost upućivanja na priručnik uputstva za uporabu prije izvođenja bilo kojeg postupka.

OPĆE UPUTE ZA SIGURNOST

Dolje su prikazana posebna upozorenja o mogućim oštećenjima ljudi i stroja.



OPASNOST!

- Ovim strojem mora upravljati obučeno i ovlašteno osoblje prema uputama priručnika.
- Prije izvođenja bilo kojeg postupka čišćenja, održavanja, procedure popravka ili zamjene, pažljivo pročitajte sve upute, pobrinite se da isključite stroj i odspojite priključnicu baterije.
- Nemojte upravljati strojem u blizini toksičnih, opasnih, zapaljivih i / ili eksplozivnih prašaka, tekućina ili pare. Ovaj stroj nije prikladan za skupljanje opasnih prašaka.
- Ne nosite dragulje pri radu u blizini električnih dijelova.
- Nemojte raditi pod podignutim strojem bez podupiranja s sigurnosnim stalcima.
- Kada koristite olovne baterije (WET), one mogu ispuštati zapaljive plinove u uobičajenoj uporabi, morate držati iskre, plamen, materijale koji dime ili zrače, svjetleće ili zapaljive stvari izvan domašaja baterija.
- Kod punjenja olovnih baterija (WET) one mogu emitirati vodik koji može izazvati eksploziju. Morate osigurati da je prostor za punjenje dobro prozračen i udaljen od otvorenog plamena.

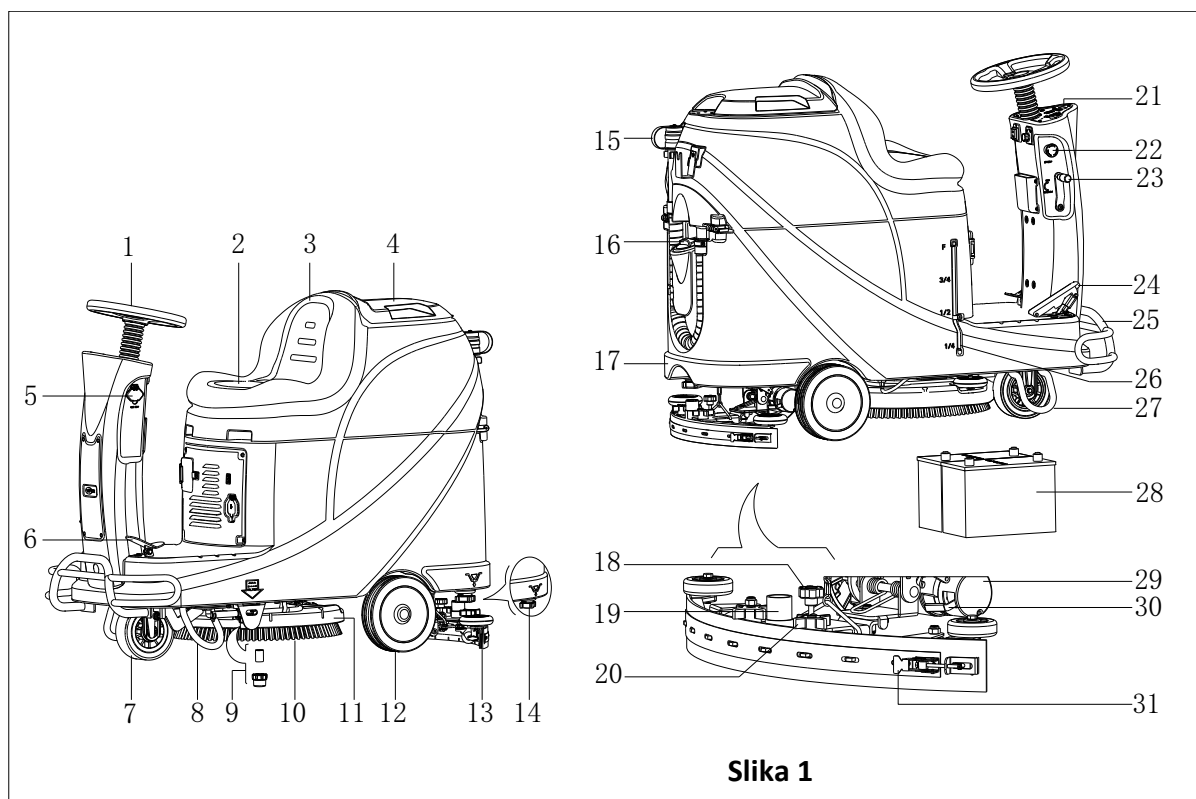


UPOZORENJE!

- Pažljivo provjerite stroj prije svake uporabe. Uvjerite se da su sve komponente dobro sastavljene prije uporabe. Ili se može uzrokovati šteta ljudima i imovini.
- Prije uporabe punjača baterije, provjerite jesu li vrijednosti frekvencije i napona navedene na oznaci serijskog broja stroja odgovarajuće onima na mreži.
- Nikad nemojte pomicati stroj povlačenjem kabela punjača baterije. Nemojte dopustiti da kabel leži ispod zatvorenih vrata i ne namotavajte ga na oštrim rubovima ili uglovima. Nemojte koristiti stroj na kabele punjača baterije. Držite kabel punjača baterije dalje od zagrijanih površina. Nemojte puniti baterije ako su kabel punjača baterije ili utikač oštećeni.

- Da biste smanjili opasnost od požara, električnog udara ili ozljeda, provjerite je li stroj isključen prije odlaska.
- Koristite ili pohranite uređaj u zatvorenom prostoru, nije dopuštena vanjska uporaba.
- Temperatura za pohranu i pri radu stroja mora biti između 0°C i +40°C, vlažnost zraka mora biti između 30% i 95%.
- Nemojte koristiti stroj na nagibima s gradijentom koji premašuje prikaz iz specifikacije.
- Prilikom korištenja i rukovanja deterdžentima za čišćenje poda, slijedite upute na naljepnicama boce deterdženta i nosite odgovarajuće rukavice i zaštitnu opremu.
- Koristite četke i uloške isporučene s uređajem ili definirane u priručniku. Korištenje drugih četki ili uložaka može smanjiti sigurnost.
- U slučaju nepravilnosti u radu stroja, provjerite da se ne radi o nedostatku održavanja. Ako je potrebno, zatražite pomoć od ovlaštenog osoblja ili od ovlaštenog Servisnog centra.
- Poduzmite sve potrebne mjere predostrožnosti kako biste spriječili da se kosa, dragulji i labava odjeća ne bi uhvatili za pokretne dijelove stroja.
- Nemojte koristiti uređaj u posebno prašnjavim područjima.
Nemojte prati stroj izravnim ili tlačnim mlazom vode ili s korozivnim tvarima.
- Nemojte udarati o police ili skele, osobito tamo gdje postoji opasnost od pada predmeta.
- Nemojte oslanjati tekuće spremnike na stroj, koristite odgovarajuću držač za nošenje.
- Da biste izbjegli oštećenje poda, ne dopustite da četka / uložak radi dok je stroj zaustavljen.
- U slučaju vatre, upotrijebite aparat za gašenje požara u prahu. Nemojte koristiti vatrogasne aparate sa tekućinama.
- Nemojte uklanjati ili mijenjati naljepnice uređaja.
- Nemojte dirati zaštitne delove stroja i pažljivo pratite uobičajene upute za održavanje.
- Obratite pažnju tijekom transporta stroja kada je temperatura ispod točke smrzavanja. Voda u spremniku i crijeva mogla bi se zamrznuti i ozbiljno oštetiti uređaj.
- Ako je potrebno zamijeniti rezervne dijelove, naručite ORIGINAL rezervne dijelove od ovlaštenih zastupnika ili prodavača.
- Vratite stroj u Servisni centar ako ne radi kao i obično ili je u stanjima: oštećen, smješten na otvorenom, upao u vodu.
- Kako bi se osiguralo pravilan i siguran rad stroja, planirano održavanje prikazano u odgovarajućem poglavlju ovog priručnika, mora obaviti ovlašteno osoblje ili ovlašteni Servisni centar.
- Stroj mora biti pravilno zbrinut zbog prisutnosti otrovnih štetnih materijala (baterija itd.), koji su podložni standardima koji zahtijevaju zbrinjavanje u posebnim centrima (vidi odlomak o zbrinjavanju).
- Ovaj stroj služi samo kao alat za čišćenje, a ne za druge namjene.
- Uvijek držite otvore slobodne od prašine, dlačica i bilo kojeg drugog materijala koji bi mogao smanjiti protok zraka. Nemojte koristiti uređaj ako su otvori začepljeni.
- Koristite stroj samo tamo gdje je osigurana odgovarajuća rasvjeta.
- Ovaj stroj nije namijenjen osobama s smanjenim tjelesnim, senzornim ili mentalnim sposobnostima ili nedostatkom iskustva i znanja, osim ako im je osoba koja je odgovorna za njihovu sigurnost obezbjedila nadzor ili uputu o uporabi stroja.
- Znatna pozornost je nužna kada se koristi u blizini djece.
- Djecu treba nadzirati kako bi se osiguralo da se ne igraju sa strojem.
- Pri korištenju ovog uređaja pazite da ne uzrokuje štetu ljudi ili objekata.

OPIS STROJA STRUKTURA STROJA (kao što je prikazano na Slika 1)

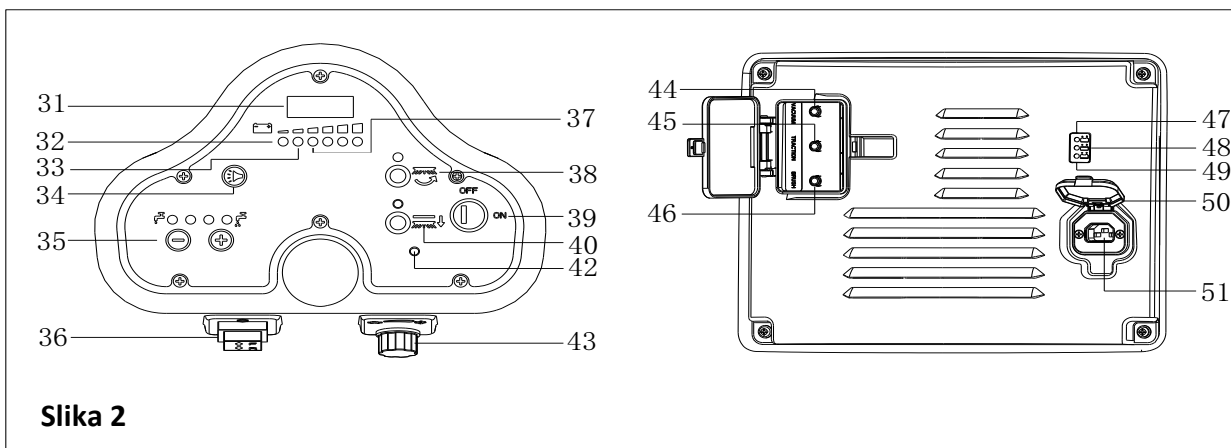


Slika 1

- | | |
|--|--|
| 1. Upravljač | 17. Spremnik otopine |
| 2. Sjedište- jastučić | 18. Kotačić za podešavanje sušača |
| 3. Spremnik povratne otopine | 19. Vakuumski crijevo |
| 4. Poklopac spremnika povratne otopine | 20. Kvačica za sušač |
| 5. USB priključak za punjenje | 21. Upravljačka ploča |
| 6. Pedala | 22. Prekidač za slučaj nužde |
| 7. Prednji kotač | 23. Poluga za podizanje / spuštanje sušača |
| 8. Lijevi nosač | 24. Papučica za ubrzanje |
| 9. Filtar otopine | 25. Prednji branik |
| 10. Četka | 26. Indikator razine otopine |
| 11. Platforma četke | 27. Desni nosač |
| 12. Stražnji kotač | 28. Baterija |
| 13. Sušač sklop | 29. Pogonski motor |
| 14. Poklopac otvora za otopinu | 30. Nosač bloka kočnice |
| 15. Crijevo za odvod otpadne otopine | 31. Kopča sušača |
| 16. Poklopac ulaza vode | |

OPIS STROJA

KONTROLNI PANEL (kao što je prikazano na Slika 2)



Slika 2

- | | |
|---|--|
| 31. LED zaslon | 42. Svjetlo upozorenja za motorni pogon |
| 32. Svjetlo upozorenja prazne baterije (crveno) | 43. Tipka za podešavanje brzine |
| 33. Indikator poluprazne baterije (žuta) | 44. Zaštitnik od preopterećenja usisnog motora |
| 34. Tipka za sirenu | 45. Zaštitnik od opterećenja motornog pogona |
| 35. Tipka za podešavanje količine otopine | 46. Zaštitnik od opterećenja motora četke |
| 36. Prekidač naprijed-natrag | 47. Indikator napunjene baterije (zeleno) |
| 37. Indikator pražnjenja baterije (zeleno) | 48. Indikator poluprazne baterije (žuta) |
| 38. Tipka za četku | 49. Pokazivač napunjenosti baterije (crveno) |
| 39. Prekidač za ključ | 50. Poklopac utikača punjača |
| 40. Tipka za uklanjanje četke | 51. Utikač punjača |

PRIKAZ INFORMACIJA NA LED ZASLONU

STOP - Stroj se ne može pomicati, četka prestaje raditi, ali usisni motor može raditi

(00012.3) - Ukupno radno vrijeme stroja je 12.3 sati

L0-(18) - napon baterije manji od 18V

U-(25.5) - napon baterije je 25.5V

ERR-01 - Sušač se ne podiže kad se stroj okreće unatrag

ZASLON SVJETLOSNIH INDIKATORA (kao što je prikazano na Slika 2)

1. Na početku punjenja, crvena LED (49) punjača normalno svijetli. To je prva faza punjenja.
2. Nakon što se neko vrijeme puni, crvena LED (49) na punjaču se isključuje, žuta LED (48) se uključuje, ovo je druga faza punjenja.
3. Kada se punjenje dovrši, žuta LED (48) se isključuje, zelena LED (47) se uključuje kako bi se naznačilo da je baterija potpuno napunjena.



BILJEŠKA

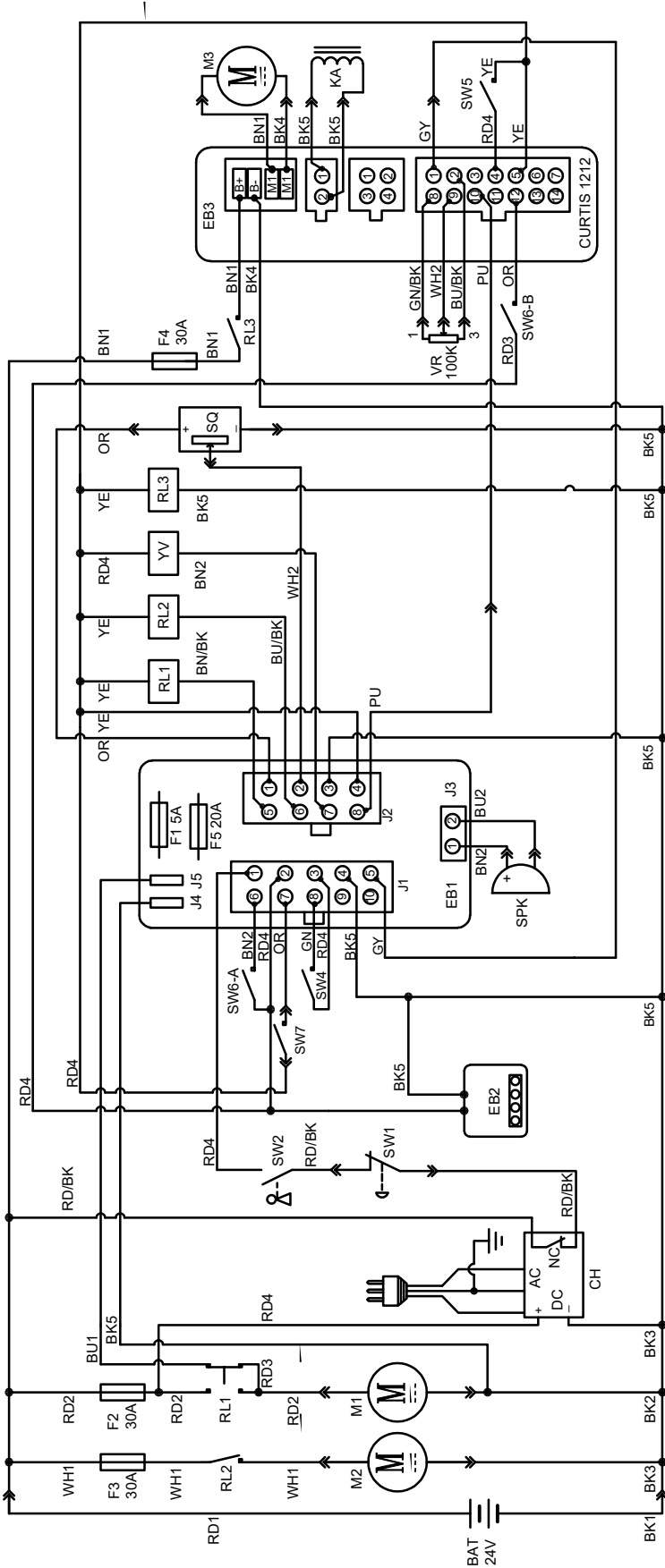
U procesu punjenja, ako je žuto svjetlo (48) uključeno, to može biti uzrokovano: Baterija i punjač ne odgovaraju, baterija nije dobro povezana ili je izlaz kratko spojen.

Ukoliko crveno svjetlo punjača treperi to je možda uzrokovano unutarnjim kratkim spojem punjača.

TEHNIČKI PARAMETRI

MODEL	AS530R	
Dimenzije pakiranja (V x D x Š)	mm	1470 * 730 * 1310
Visina stroja	mm	1120
Duljina stroja	mm	1360
Širina stroja (bez sušača)	mm	580
Težina stroja s praznim spremnicima (bez baterija)	kg	140
Ukupna težina vozila (GVW)	kg	270
Težina dostave	kg	245
Kapacitet spremnika otopine	Litar	72
Kapacitet spremnika povratne otopine	Litar	73
Snaga usisnog motora	Vat	400
Usisni kapacitet	mm H ₂ O	1223
Kapacitet uspona (maks)	%	10
Promjer prednjeg kotača	mm	φ175
Promjer stražnjeg kotača	mm	φ230
Razina zvuka	dB (A)	69
Protok otopine/vode	L/min	0.84-2.0
Radna širina	mm	530
Širina sušača	mm	730
Promjer četke/uloška	mm	530
Snaga motora četke	Vat	450
Brzina četke	Rpm	160
Pritisak četke/uloška (maks)	kg	23
Snaga pogonskog motora	Vat	300W
Radna brzina	Km/h	5.5 km/h
Napon	V	24V
Baterija (opciono)	Ah	2x100AH (20 sati)
Punjač baterije (opciono)	V/A	24V 10A
Veličina pretinca baterije (V x D x Š)	mm	350 * 380 * 300
Specifikacija USB punjača	V/A	5V, 0.8A

MREŽNI DIJAGRAM



WIRE ROD		WIRE ROD	
RD1	RED/6AWG	BN/BK	BROWN/BLACK / 20AWG
RD2	RED/10AWG	BU1	BLUE/18AWG
RD3	RED/18AWG	BU2	BLUE/20AWG
RD4	RED/20AWG	BU/BK	BLUE/BLACK / 20AWG
RD/BK	RED/BLACK / 20AWG	GN	GREEN/20AWG
BK1	BLACK/6AWG	GN/BK	GREEN/BLACK / 20AWG
BK2	BLACK/10AWG	GY	GRAY/20AWG
BK3	BLACK/12AWG	PU	PURPLE/20AWG
BK4	BLACK/14AWG	OR	ORANGE/20AWG
BK5	BLACK/18AWG	YE	YELLOW/20AWG
BN1	BROWN/14AWG	WH1	WHITE/12AWG
BN2	BROWN/20AWG	WH2	WHITE/20AWG

COMPONENTS		COMPONENTS	
BAT	24V BATTERIES	KA	BRAKE
CH	BATTERY CHARGER	M1	BRUSH MOTOR
EB1	CONTROL PANEL BOARD	M2	VACUUM MOTOR
EB2	USB CHARGING ELECTRONIC BOARD	M3	DRIVE MOTOR
EB3	DRIVE ELECTRONIC BOARD	SW1	EMERGENCY-STOP SWITCH
RL1	BRUSH MOEOR ELECTROM SWITCH	SW2	KEY SWITCH
RL2	VACUUM MOEOR ELECTROM SWITCH	SW4	VACUUM MOTOR SWITCH
RL3	DRIVE SYSTEM ELECTROM SWITCH	SW5	OPTIONAL MODE SWITCH
YV	WATER ELECTROVALVE	SW6-A	OPTIONAL REVERSE SWITCH
F1	CONTROL PANEL BOARD FUSE	SW6-B	OPTIONAL REVERSE SWITCH
F2	BRUSH MOTOR CIRCUIT BREAKER	SW7	SEAT SWITCH
F3	VACUUM MOTOR CIRCUIT BREAKER	SQ	FOOT THROTTLE
F4	DRIVE SYSTEM CIRCUIT BREAKER	SPK	12VDC BUZZER
F5	BRUSH RELEASE FUSE	VR	SPEED POTENTIOMETER

KOMPONENTE		KOMPONENTE	
BAT	24V BATERIJE	M1	MOTOR ČETKE
CH	PUNJAČ BATERIJE	M2	USISNI MOTOR
EB1	UPRAVLJAČKA PLOČA	M3	POGONSKI MOTOR
EB2	USB punjenje elektroničke ploče	SW 1	PREKIDAČ ZA HITNO ZAUŠTAVLJANJE
EB3	ELEKTRONSKA PLOČA POGONA	SW 2	PREKIDAČ KLJUČA
RL1	PREKIDAČ ELEKTRO MOTORA ČETKE		
RL2	PREKIDAČ USISNOG ELEKTRO MOTORA	SW4	PREKIDAČ USISNOG MOTORA
RL3	PREKIDAČ ELEKTRO POGONSKOG SISTEMA	SW 5	PREKIDAČ OPCISKOOG MODA
YV	ELEKTRO VENTIL ZA VODU	SW6-A	PREKIDAČ ZA ISKLJUČENJE OPCIONOG
F1	OSIGURAČ PLOČE KONTROLNOG PANELA	SW6-B	PREKIDAČ ZA ISKLJUČENJE OPCIONOG
F2	OSIGURAČ MOTORA ČETKE	SW7	PREKIDAČ SJEDIŠTA
F3	OSIGURAČ USISNOG MOTORA	SQ	NOŽNA PEDALA
F4	OSIGURAČ UPRAVLJAČKOG SUSTAVA	SPK	12VDC ZVUČNI SIGNAL
F5	OSIGURAČ ISPUŠTANJE ČETKE	VR	POTENCIOMETAR BRZINE
KA	KOČNICA		

ŽICA		ŽICA	
RD1	CRVENA / 6AWG	BN/BK	BRAON / CRNA / 20AWG
RD2	CRVENA /10AWG	BU1	PLAVA / 18AWG
RD3	CRVENA /18AWG	BU2	PLAVA / 20AWG
RD4	CRVENA /20AWG	BU/BK	PLAVA / CRNA / 20 AWG
RD/BK	CRVENA / CRNA / 20AWG	GN	ZELENA / 20AWG
BK1	CRNA / 6AWG	GN/BK	ZELENA/ CRNA / 20AWG
BK2	CRNA /10AWG	GY	SIVA / 20AWG
BK3	CRNA /12AWG	PU	LJUBIČASTA / 20AWG
BK4	CRNA /14AWG	OR	NARANČASTA / 20AWG
BK5	CRNA /18AWG	YE	ŽUTA/ 20AWG
BN1	BRAON / 14AWG	WH1	BIJELA / 12 AWG
BN2	BRAON / 20AWG	WH2	BIJELA / 20AWG

OPERATIVNI VODIČ



UPOZORENJE!

Obratite pozornost na ove simbole u ovom priručniku:

- OPASNOST!
- UPOZORENJE!
- OPREZ!
- KONZULTACIJA

Nikada ne prekrivajte ove simbole na stroju iz bilo kojeg razloga, zamijenite ih odmah ako je došlo do oštećenja.

UGRADNJA I POSTAVLJANJE BATERIJE NOVOG STROJA



UPOZORENJE!

Električne komponente stroja mogu biti ozbiljno oštećene ako su baterije nepropisno ugrađene ili spojene.

Baterije mora instalirati kvalificirano osoblje. Postavite punjač za baterije (opciono) i PCBA stroja prema vrsti baterije (WET ili GEL/AGM).

Provjerite je li baterija oštećena prije instalacije.

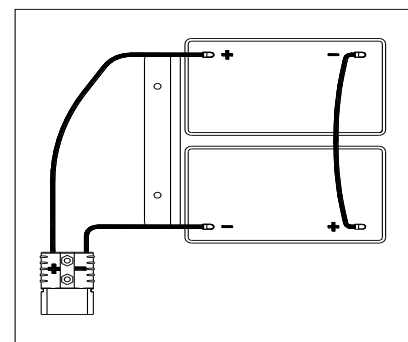
Odspojite utikač baterije i utikač punjača baterije.

Upravljati baterijama s velikom pažnjom.



BILJEŠKA

Stroj zahtijeva dvije 12V baterije, povezane prema Slika 3.



Slika 3

Stroj može raditi u jednom od sljedećih načina rada baterija:

A) WET ili GEL / AGM baterije su već instalirane i spremne za uporabu

1. Provjerite baterije i priključite konektor baterije na uređaj.
2. Umetnite u prekidač za ključ (40) i okrenite se na "uključeno". Ako se uključi zeleno svjetlo (37), baterije su spremne za uporabu; Ako se žuto ili crveno svjetlo (33 ili 32) uključi, baterije moraju biti napunjene.

B) Bez baterija

1. Ako vaš stroj nije opremljen baterijama, kupite odgovarajuće baterije [Pogledajte odjeljak Tehnički podaci]. Za odabir i ugradnju baterije, obratite se kvalificiranoj trgovini baterijama.
2. Kad su baterije spremne, postavite stroj i punjač baterije prema vrsti instaliranih baterija, a zatim slijedite postupke prikazane u sljedećem odjeljku.

POSTAVLJANJE BATERIJE I PODEŠAVANJE TIPA BATERIJE (WET OR GEL / AGM)

Postavite elektroničku ploču osigurača stroja i punjač baterije prema vrsti baterije (WET ili GEL / AGM) prema sljedećim koracima:



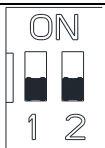
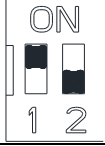
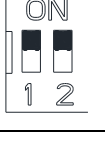
BILJEŠKA

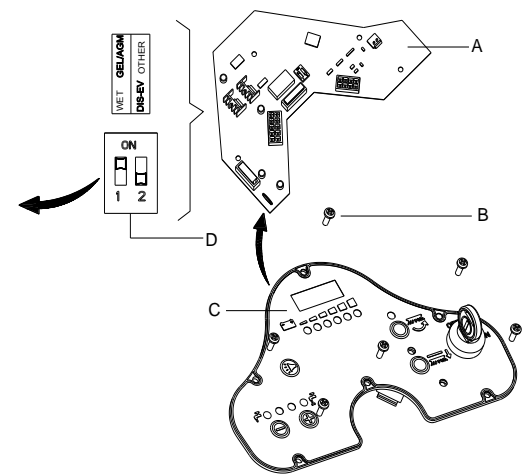
Prilikom ugradnje novih baterija, slijedite sliku 4 da biste postavili DIP prekidač ili baterija može biti oštećena zbog pogrešne postavke.

Postavka stroja

1. Umetnite ključ u prekidač ključa (40) i okrenite na "ON", obratite pažnju na sljedeće tijekom prvih sekundi pokretanja stroja:
 - Ako svijetli zeleno svjetlo (37), uređaj je postavljen za korištenje GEL / AGM baterija.
 - Ako žuto svjetlo (33) treperi, uređaj je postavljen za korištenje Discover EV AGM baterije.
 - Ako crveno svjetlo (32) treperi, uređaj je postavljen za korištenje WET baterija.
2. Slijedite korake u nastavku da biste promijenili postavke stroja.
3. Tvornička postavka stroja je korištenje Discover EV AGM baterija. Ako postavka odgovara odabranim baterijama, idite na korak 6 izravno ili slijedite sljedeći korak.
4. Odvijte vijak (B, slika 4) na upravljačkoj ploči, zatim okrenite PCBA (A) na ploči kako biste pronašli DIP-prekidač (D), slijedite slika 4 za DIP postavke.

5. Izvršite korake u obrnutom redoslijedu nego kod rastavljanja kako biste namestili upravljačku ploču i zaključali vijak nakon završetka podešavanja.

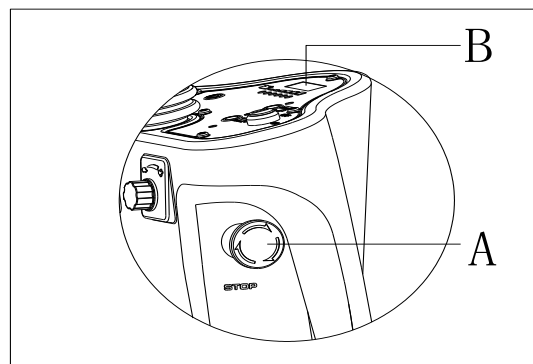
1		WET BATERIJE (BILJEŠKA: Okrenite pin1 i pin2 DIP-prekidača na "OFF")
2		DISCOVER EV AGM BATERIJE (BILJEŠKA: Okrenite pin 1 DIP-prekidača na "ON", pin2 na "OFF")
3		GENERAL GEL / AGM BATTERIES (BILJEŠKA: Okrenite pin1 i pin2 DIP-prekidača na "ON")



Slika 4

Instalacija baterije

6. Otvorite poklopac spremnika povratne otopine (4) i provjerite je li spremnik povratne otopine (3) prazan, inače ga ispraznite crijevom za odvod otpadne otopine (15).
7. Zatvorite poklopac spremnika povratne otopine (4).
8. Pažljivo okrenite povratni spremnik
9. Stroj se isporučuje s kabelima prikladnim za ugradnju 2X12V baterija. Pažljivo stavite baterije u odjeljak, a zatim ih ispravno umetnite.
10. Usmjerite i ugradite kabel baterije kako je prikazano na (Slika 3), pa pažljivo zategnite maticu na svakom terminalu akumulatora.
11. Postavite zaštitnu kapicu na svaki terminal, a zatim spojite priključak baterije.
12. Pažljivo spustite povratni spremnik (3).



Punjenje baterija

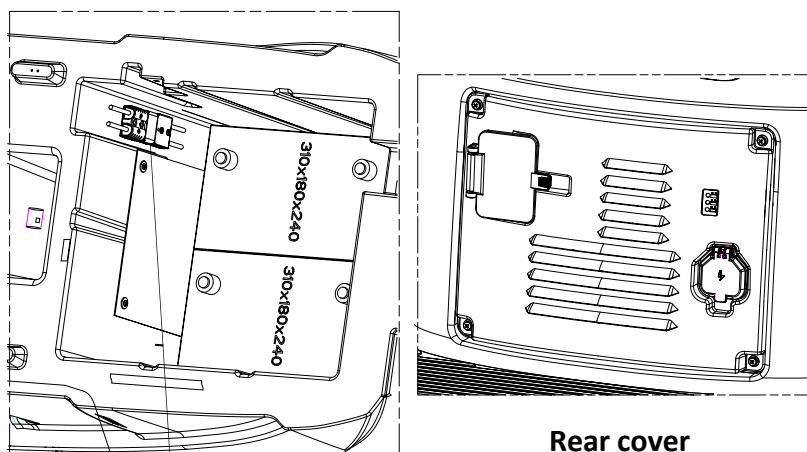
13. Punjenje baterija. [Pogledajte poglavlja ODRŽAVANJE].

Slika 5

Namještanje postavki punjača akumulatora (samo za ugrađeni punjač, ako je instaliran) Punjač akumulatora

Punjač akumulatora nalazi se unutar stražnjeg poklopca i izravno je povezan s akumulatorima. Punjačem upravlja mikroprocesor. Koriste se različite krivulje punjenja za optimalne performanse, za različite vrste akumulatora.

1. Odvojite priključak kabela koji vodi do akumulatora.
2. Uklonite stražnje poklopce.
3. Uklonite 4 vijka (B) i uklonite punjač (A).



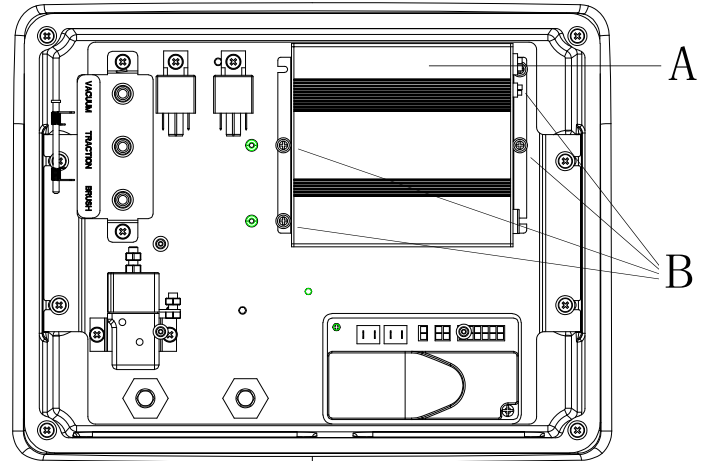
Disconnect the connector

Rear cover

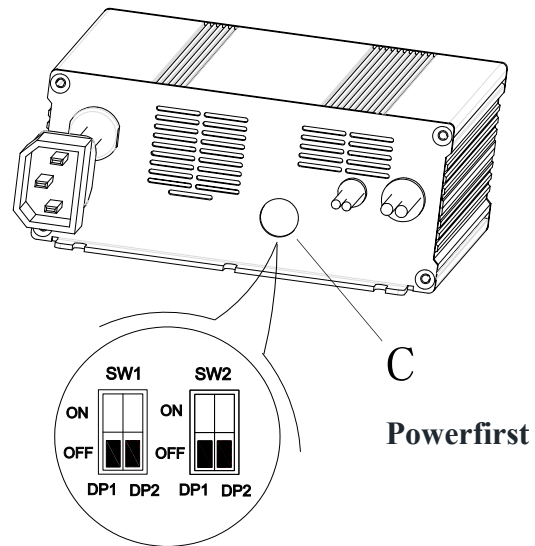
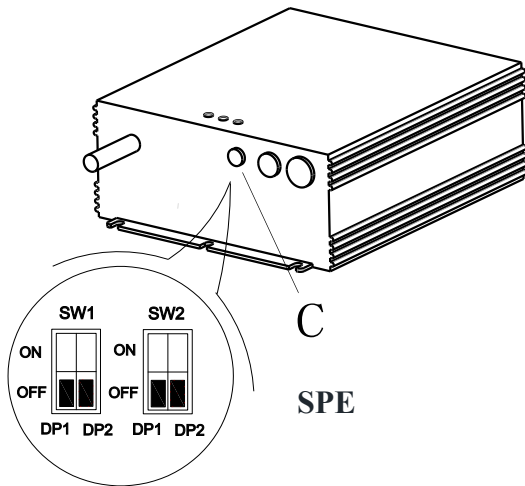
Male (DIP) sklopke za određenu vrstu akumulatora

Radom punjača upravljaju 4 sklopke DIP (2 para) unutar stražnjeg poklopca. Druge 2 sklopke nikada ne bi trebalo dirati, osim ako je punjač zamijenjen i ako treba potvrditi njihov položaj, namjestiti napon akumulatora (24V) i maksimalnu jakost struje (10A) te ako uvijek treba biti u položaju Off.

Prve 2 sklopke dostupne su kroz plastičnu utičnu spojnicu bez otvaranja punjača. Ove sklopke određuju tip krivulje punjenja koja se koristi za svaku vrstu akumulatora. Tip krivulje upućuje na vrstu i jačinu kojom se struja i napon primjenjuju na akumulator tijekom različitih faza ciklusa punjenja.



1. Uklonite plastičnu utičnu spojnicu koja prekriva otvor za pristup DIP sklopkama (C).
2. Namjestite prve 2 DIP sklopke (SW1) sukladno podacima iz donje tablice.
3. Zamijenite plastičnu utičnu spojnicu.



Curve/Battery Type	SW1		SW2	
	D1	D2	D1	D2
IUIa Wet	On	Off		
IUIa Gel Exide	Off	Off	Off	Off
IUoU AGM	Off	On		
IUIa AGM Discover	On	On		

Curve/Battery Type	SW1		SW2	
	D1	D2	D1	D2
IUIa Wet	On	Off		
IUIa Gel Exide	Off	Off	Off	Off
IUIa AGM	Off	On		
IUIa AGM Discover	On	On		

PRINUNDO KOČENJE

Ako postoji opasnost tijekom rada stroja, pritisnite prekidač za nuždu (A, Slika 5), tada će se sve funkcije stroja zaustaviti, na upravljačkoj ploči nema zaslona (B, Slika 5)

UGRADNJA I SKIDANJE ČETKE / JASTUČIĆA



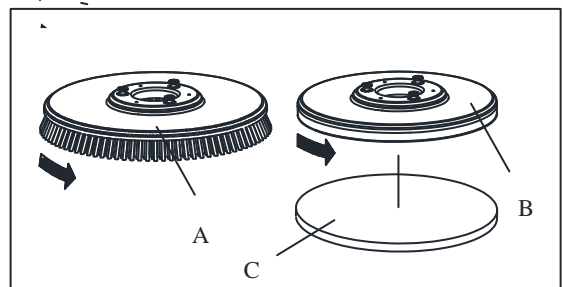
BILJEŠKA

Ugradite prikladnu četku (A, Slika 6) ili pločicu (B i C, Slika 6) prema vrsti poda koja se čisti.



OPREZ

Prije montaže ili deinstalacije četke ili jastučića, provjerite jesu li svi prekidači na stroju u isključenom položaju i podignite nosač usisa od poda. Rukovatelj mora biti opremljen odgovarajućim sredstvima za zaštitu, kao što su rukavice, kako bi se smanjio rizik od nezgoda. Nastavite kako slijedi:



Slika 6

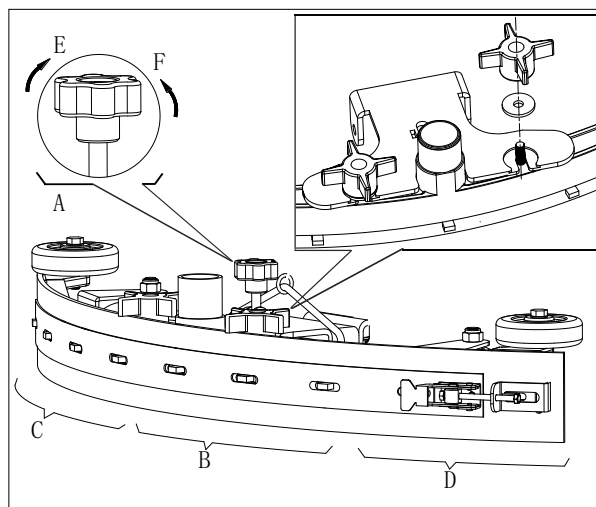
1. Umetnite prekidač ključa (40) i okrenite na "ON".
2. Pritisnite papučicu (6) naprijed za podizanje sklopa četke (11) od poda.
3. Zakrenite gumb za podešavanje brzine (42) u smjeru suprotnom od kazaljke na satu do kraja.
4. Postavite četku (A, Slika 5) ili jastučice (B, Slika 5) i poravnajte s platformom.
5. Pritisnite papučicu (6) unatrag za spuštanje sklopa četke (11). Sjednite na sjedalo, pritisnite gumb za četkanje (39) i lagano pritisnite pedalu (23), četku / jastučić možete automatski montirati. Ponovite ove korake dok se četka / jastučić ne instalira.
6. Ako korak5 instalirajte četku / jastučić, nije bio uspješan, ručno podignite četku / jastučić.
7. Pritisnite papučicu (6) naprijed za podizanje sklopa četke (11) s poda, pritisnite gumb za uklanjanje četke (41) da biste ga automatski skinuli.

**OPREZ!**

Zakrenite gumb za podešavanje brzine (42) na minimalnu brzinu prije nego što pritisnete papučicu za ubrzavanje (6) kako biste izbjegli prebrzo pokretanje stroja. Provjerite je li četka / jastučić ispravno postavljena prije rada stroja.

NAMEŠTANJE USISNIKA

1. Ugradite usisnik(13) i pričvrstite gumb (20), a zatim spojite usisnu cijev (19) na usisnik.
2. Namjestite usisnik pomoću ručice za podešavanje (A, Slika 7).
 - a) Ako postoji jaz između tla i srednjeg dijela stražnje lopatice usisnika (B), podesite gumb (A) u smjeru suprotnom od kazaljke na satu (F) sve dok se sav dio stražnjih lopatica ne dotiče dobro s tlom, a prednja lopatica lagano dodiruje tlo.
 - b) Ako postoji jaz između tla i oba kraja stražnjih lopatica (C i D), podesite gumb (A) u smjeru kazaljke na satu (E) dok sve strane stražnjih lopatica ne budu u dodiru s tlom, a prednja lopatica lagano dodiruje tlo.



Slika 7

PUNJENJE SPREMNIKA OTOPINE

1. Otvorite poklopac za ulaz vode (E, Slika 8).
2. Punjenje prikladne vode ili otopine kroz ulaz vode s filtrom. Temperatura otopine ne smije prijeći + 104F (+ 40°C).
3. Nemojte pretjerano puniti spremnik, pogledajte indikator razine (G) za količinu vode.

**UPOZORENJE!**

Koristite samo nezapaljive deterdžente sa malo pjene i namijenjene automatskim sredstvima za pranje.

Provjerite motorni pogon

1. Okrenite prekidač za ključ (A, Slika 9) na "ON"
2. Lagano pritisnite papučicu za ubrzavanje (C), zatim je otpustite kako biste provjerili može li se stroj kretati naprijed i zaustaviti.
3. Da biste osigurali sigurnost, potvrdite da li se stroj može odmah zaustaviti pritiskom na gumb za nuždu (B). Zakrenite gumb za nuždu da biste ga ponovno otpustili.

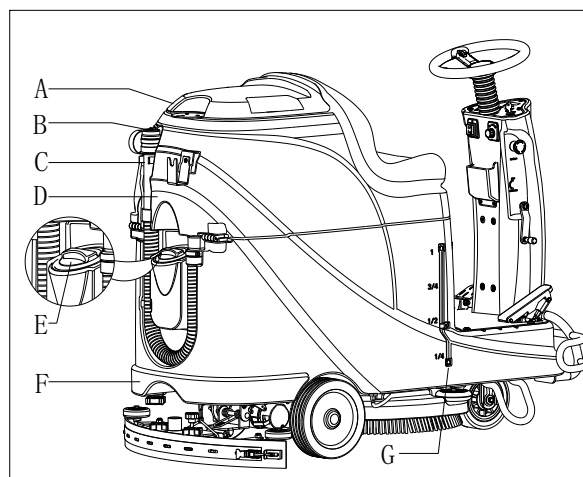
**OPREZ**

Kapacitet penjanja stroja ne smije biti veći od 10%.

**OPREZ**

Kočnica pogonskog motora je puštena kada motor radi normalno, zaključava se kad motor prestane raditi.

- Nosač kočnice - kočnica (D, Slika 9) nalazi se iznad



Slika 8

- Kočnica je aktivirana - poluga je na dole
U nekim posebnim slučajevima, kao što je strojno pakiranje / raspakiranje, kvar stroja i drugo, potrebno je premjestiti stroj bez rada pogonskog motora, ručno postavite kočnicu na otpušteno da biste mogli da ga premjestite.
Kako biste izbjegli bilo kakav sigurnosni rizik, osigurajte da se kočnica vratila u zaključani status nakon pokretanja stroja.

START I STOP STROJA

Pokretanje stroja

1. Pripremite stroj kako je prikazano u prethodnom odlomku.
2. Sjednite na sjedalo (L, Slika 10), umetnite prekidač ključa (A) i okrenite ga na "ON". Ako je zeleno svjetlo (C) uključeno, baterije su potpuno napunjene za uporabu. Ako je žuto svjetlo (E) ili crveno svjetlo (D) uključeno, baterije se moraju puniti prije rada. [Pogledajte poglavlja ODRŽAVANJE za punjenje baterija]
3. Spustite sklop za sušenje na pod.



BILJEŠKA

Pazite da se sklop glave za podizanje podigne prije nego što stroj krene unatrag, ili će Stroj biti zaustavljen i LED zaslon prikazuje "Greška".

4. Spustite četkicu na pod.



BILJEŠKA

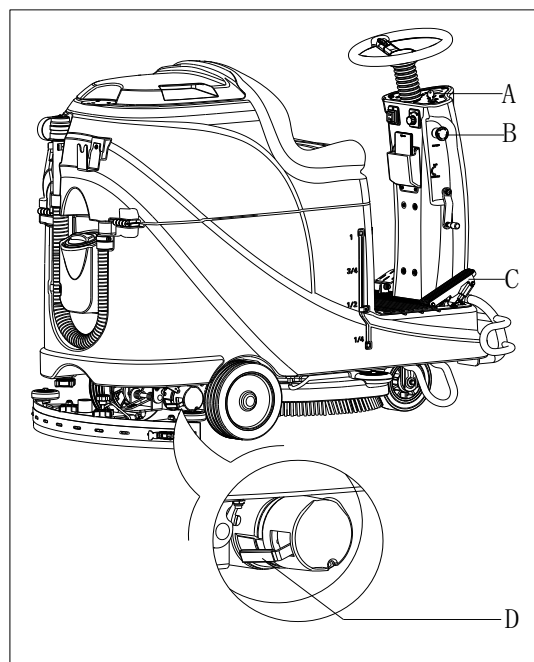
Pazite da isključite gumb četke prije no što se podigne sklop četke i podignite sklop četke prije nego što se stroj pomiče naprijed / natrag.

5. Pritisnite gumb četke (B)
6. Pritisnite papučicu za ubrzanje (R), upravljajte strojem naprijed ili natrag upravljačem (N) zajedno s prekidačem naprijed-nazad (H), brzinu možete podešavati pomoću gumba za podešavanje brzine (I).
7. Prilagodite protok otopine pomoću gumba za podešavanje otopine (G) shodno potrebama za čišćenjem.
8. Telefon ili tablet možete napuniti preko USB priključka za punjenje (M) kada je prekidač tipke (A) u položaju "ON".
9. Pritisnite tipku za sirenu (F) da upozorite ljude kada je to potrebno.
10. Ako je potrebno, pritisnite tipku za nuždu za zaustavljanje stroja.

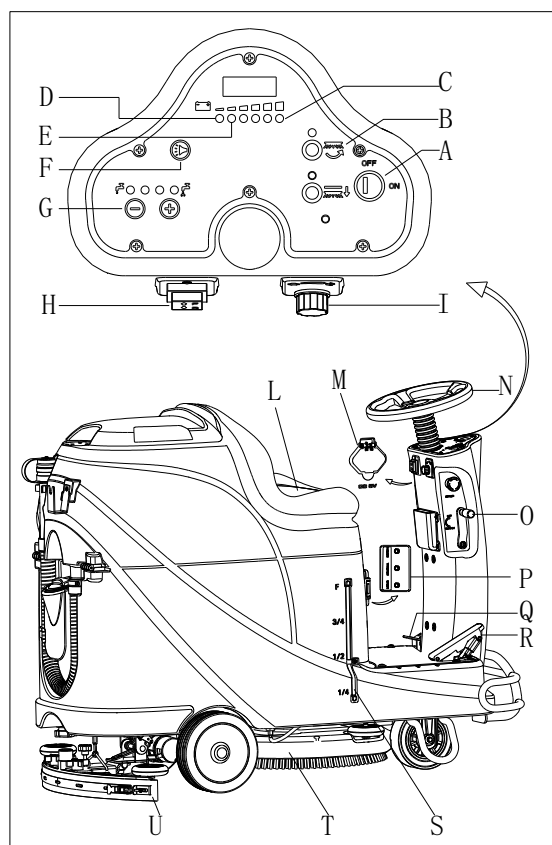


BILJEŠKA

Motor četke, usisni motor, pogonski motor i upravljački krug zaštićeni su zaštitnikom preopterećenja (P). Kada se aktivira zaštita preopterećenja, nemojte je odmah resetirati bez otkrića uzroka i provjerite je li motor ohlađen prije resetiranja.



Slika 9



Slika 10

Zaustavljanje stroja

11. Otpustite papučicu za ubrzanje (R, Slika 10), stroj prestaje raditi.
12. Pritisnite gumb četke (B) kako biste zaustavili četku.
13. Podignite sklop četke (T) pritiskom papučice (Q).
14. Podignite sklop usisnog tijela (U) pomoću ručice za podizanje / spuštanje usisa (O), a nekoliko sekundi kasnije usisni sustav će biti zatvoren.
15. Prekidač ključa okrenite na "OFF"

16. Osigurajte se da je stroj zaustavljen.

UPORABA STROJA (ISPIRANJE I SUŠENJE)

1. Pokrenite stroj prema postupku iz prethodnih stavki.
2. Započnite čišćenje slijedeći postupke u odjeljku "Pokretanje stroja".
3. Ako je potrebno, zaustavite stroj kako biste podesili stezaljku u skladu s odlomkom "Podešavanje ravnoteže usisne cijevi".



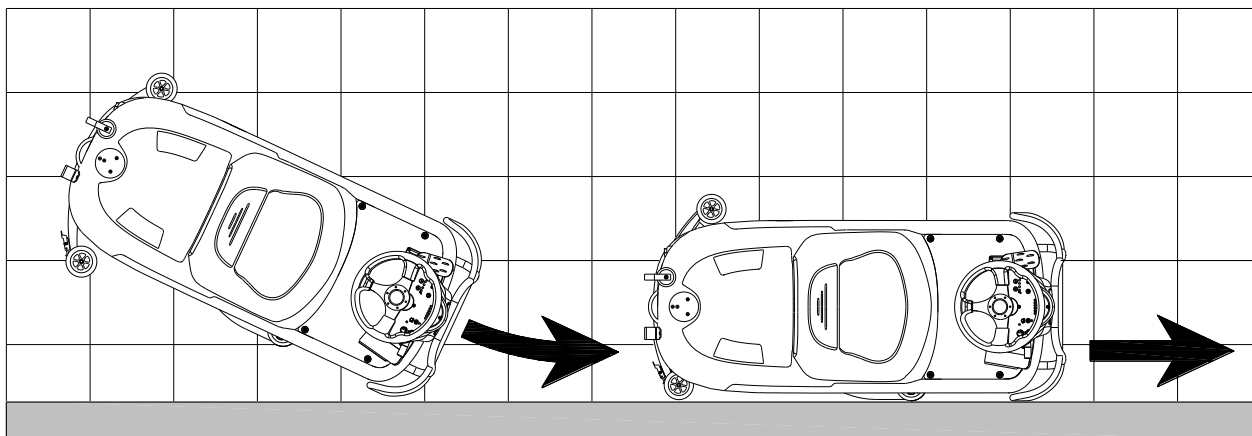
OPREZ!

Kako biste izbjegli oštećenje površine poda, isključite držač četke / ploče kad stroj zaustavi na jednom mjestu.



BILJEŠKA

Za pravilno čišćenje / sušenje podova na stranama zidova, predlažemo da se približite zidovima s desne strane (branik na strani kotača) stroja kao što je prikazano niže. Slika 11.



Slika 11

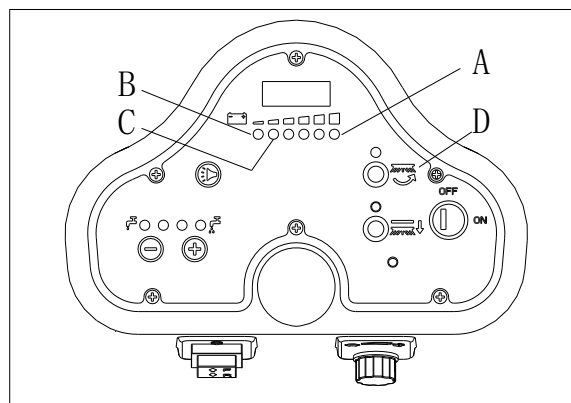
Punjenje baterije tijekom rada

Kada je uključeno zeleno svjetlo (A, Slika 12), baterije imaju dovoljno energije da stroj radi normalno; kada ne svijetli zeleno svjetlo, žuto svjetlo (C, Slika 12) je uključeno, snaga baterija je preniska, napunite baterije; kada treperi crveno svjetlo (B, Slika 12), baterije su prazne, usisni motor i motor četke automatski će se isključiti nekoliko sekundi kasnije, odvezite odmah uređaj da puni baterije.



OPREZ!

Kako biste izbjegli oštećivanje baterija i skratili njihov radni vijek, nemojte koristiti uređaj kad su baterije prazne.



Slika 12

PRAŽNJEJE SPREMNIKA

Automatski sustav za isključivanje plovaka (B, Slika 13) blokira sustav usisa kada je povratni spremnik vode (C) pun. Deaktiviranje usisnog sustava signalizirano je iznenadnim porastom frekvencije buke motora u usisnom sustavu, a pod se nije osušio.



OPREZ!

Ako se usisni sustav slučajno isključi, (na primjer, kada se plovak aktivira zbog iznenadnog pokreta stroja), da bi nastavili s radom: isključite usisni sustav pritiskom prekidača (D, Slika 12), zatim otvorite poklopac (A, Slika 11) i provjerite je li se plovak unutar rešetke (B) spustio na razinu vode. Zatim zatvorite poklopac (A) i uključite usisni sustav pritiskom prekidača (D, Slika 12).

Kada je povratni spremnik vode (C, Slika 13) pun, ispraznite ga prema sljedećem postupku.

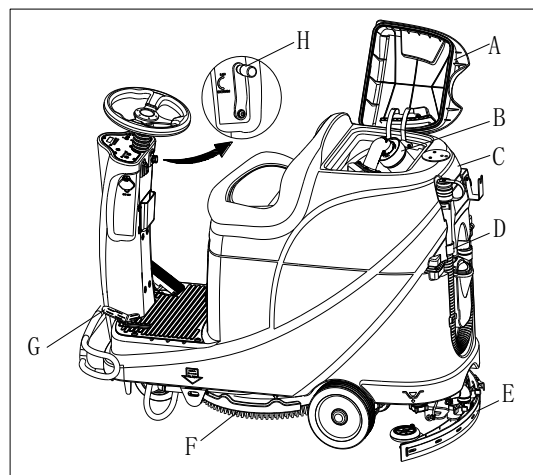
Pražnjenje povratnog spremnika vode

1. Zaustavite stroj.
2. Podignite ploču četke / palube (H, Slika 12) pritiskom na papučicu (G).
3. Podignite usisnik s polugom (H).
4. Vozite stroj na namijenjeno područje za istakanje.
5. Ispraznite spremnik za odvod s odvodnim crijevom (D). Zatim isperite spremnik čistom vodom.

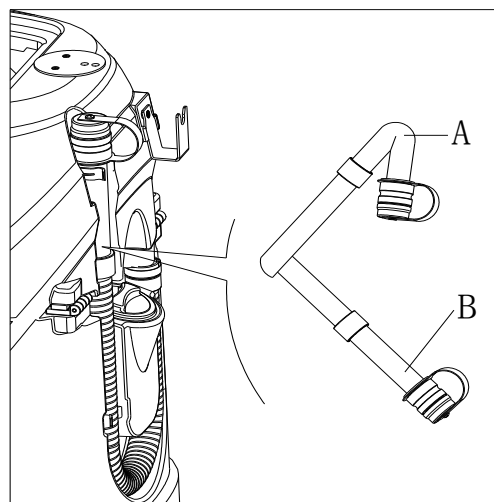


OPREZ!

Prilikom pražnjenja otpadne vode, odvodni crijevo mora se sklopiti (A, Slika 14) i staviti u niski položaj (B, Slika 14) prije otvaranja poklopca crijeva za odvod. Nemojte izvući izlaz cijevi za odvod prema gore kako bi vodu okomito ocijedili, da bi se izbjeglo propuštanje otpadnih voda na operatora.



Slika 13



Slika 14

Otopina / pražnjenje čistog spremnika vode

6. Izvedite korake 1 do 4 u poglavlju "pražnjenje povratnog spremnika vode".
7. Ispraznite spremnik otopine kroz poklopac (A, Slika 15). I zatim isperite spremnik čistom vodom.

NAKON UPORABE STROJA

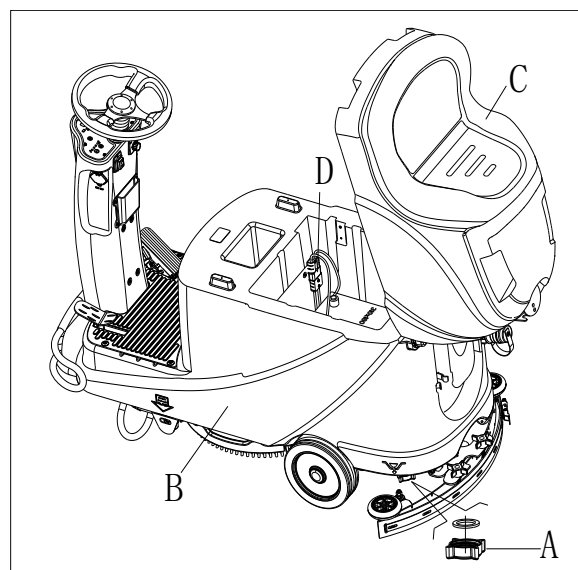
Nakon rada, prije napuštanja stroja:

1. Skinite četke / držač.
2. Ispraznite spremnike (B i C, Slika 15) kao što je prikazano u prethodnom odlomku.
3. Izvršite svakodnevne postupke održavanja (pogledajte poglavlje Održavanje).
4. Stroj držite na čistom i suhom mjestu, s držačima četkica / jastučića i podignutim ili odstranjenim gumenim dijelom.

DUŽA NEAKTIVNOST STROJA

Ako se uređaj ne koristi više od 30 dana, postupite na sljedeći način:

1. Provedite postupke prikazane u odlomku "NAKON KORIŠTENJA STROJA".
2. Otpojite priključnicu baterije (D, Slika 15).



Slika 15

KORIŠTENJE PRVI PUT

Nakon devet sati korištenja stroja po prvi put, provjerite ima li kakvih oštećenja ili nepravilnih situacija, provjerite jesu li pričvršćivači ili spojni elementi labavi.

ODRŽAVANJE



UPOZORENJE!

Postupci održavanja moraju se provesti nakon što je stroj isključen i kabel punjača baterije odspojen. Osim toga, pažljivo pročitajte sigurnosna poglavlja u priručniku.

Svi planirani ili izvanredni postupci održavanja moraju biti obavljeno od strane kvalificiranog osoblja ili ovlaštenog servisnog centra. Ovaj vodič opisuje samo opće i zajedničke postupke održavanja.

Za ostale postupke održavanja koji se nalaze ispod tablice rasporeda održavanja, molimo pogledajte Servisni priručnik koji se može konzultirati u bilo kojem servisnom centru.

TABELA RASPOREDA ODRŽAVANJA



OPREZ!

Postupak označen sa (1) mora se izvršiti kada se uređaj koristi prvi put nakon 9 sati.
Postupak označen sa (2) mora obaviti servisni centar koji je kvalificirala naša tvrtka.

Postupak	Svakodnevno, nakon svake upotrebe	Tjedni	polu godišnje	Godišnje
Punjenje baterije				
Čišćenje usisnika				
Čišćenje četkica / držača				
Čišćenje spremnika				
Provjera brtvene trake spremnika				
Čišćenje filtra plovka				
Provjerite i zamijenite lopatice usisnika				
Čišćenje filtra vode				
Čišćenje usisnog filtra				
Provjerite razinu tekućine u bateriji				
Pregled vijaka i matica na zategnutost			(1)	
Provjera ili zamjena čeličnih četkica za nosač četke / jastučića				(2)
Provjera ili zamjena četke usisnog motora				(2)
Provera četkica pogonskog motornog sustava ili zamjena (samo za stroj sa pogonom)				(2)
Dodajte ulje za podmazivanje na rotirajuće dijelove			(1)	

PUNJENJE BATERIJE



BILJEŠKA

Napunite baterije kad je uključena žuta LED (32) ili crvena LED (33) ili na kraju svakog radnog ciklusa.



OPREZ

Uvijek držite bateriju u punom napunjenom stanju, radi produžetka vijeka trajanja.



OPREZ

Napunite bateriju što je prije moguće ako je razina napunjenosti baterije niska. U protivnom, vijek trajanja baterije može se smanjiti. Bolje je provjeriti bateriju barem jednom tjedno.

**OPREZ!**

Budite posebno oprezni kada se baterija puni, jer u procesu punjenja može doći do istjecanja kiseline.

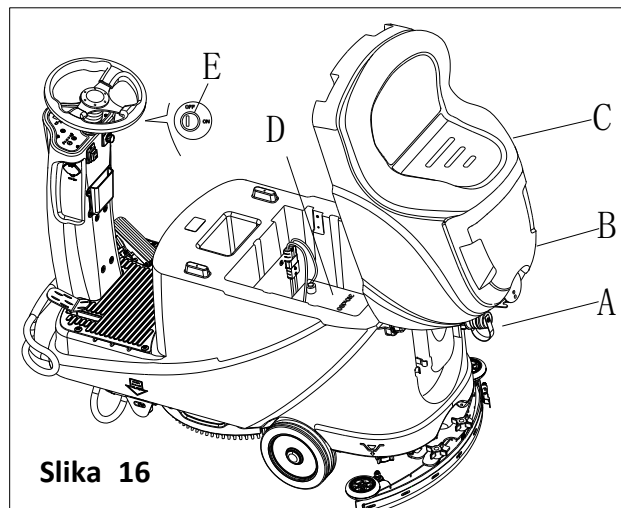
Baterijska kiselina je korozivna, ako slučajno dođe u dodir s kožom ili očima, odmah isprati s puno čiste vode i otići kod liječnika.

Pripreme koraci za punjenje baterija

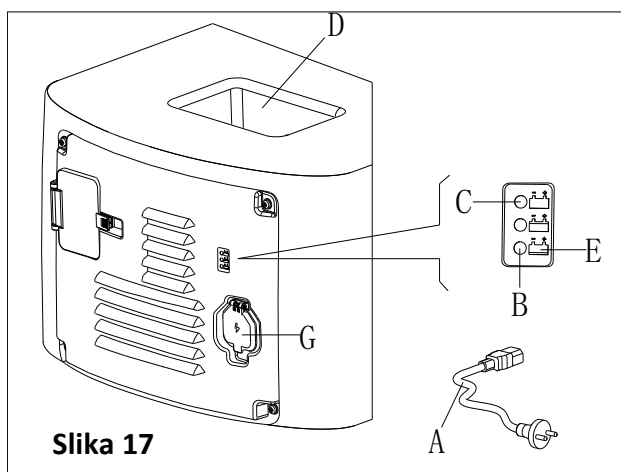
1. Otvorite poklopac povratnog spremnika (B, Slika 16) kako biste provjerili je li povratni spremnik (C) prazan ili ispraznite spremnik za odvod kroz odvodnu cijev (A).
2. Vozite stroj na namijenjeno područje punjenja.
3. Prekidač tipke okrenite na "OFF".
4. Ovaj korak samo za WET baterije:
 - Po potrebi očistite površinu baterije.
 - Provjerite razinu elektrolita akumulatora (D), ako je potrebno, otvorite poklopac za elektrolit i napunite, a zatim ga vratite.
 - Držite poklopac otvoren tijekom punjenja.
5. Odaberite jedan od donjih načina punjenja za odabranu vrstu punjača.

Koristite ugrađeni punjač za punjenje baterije

6. Spojite kabel punjača baterije (A, Slika 17) na električnu mrežu (G), a sve funkcije stroja, osim punjenja, automatski su isključene. Uključena crvena LED (B) navodi da je stroj u tijeku punjenja.
7. Baterije su potpuno napunjene kada se uključi zelena LED (C).
8. Odspojite kabel punjača baterije iz električne mreže nakon dovršetka punjenja, a zatim pohranite kabel punjača u kutiju za pohranu (D).



Slika 16



Slika 17

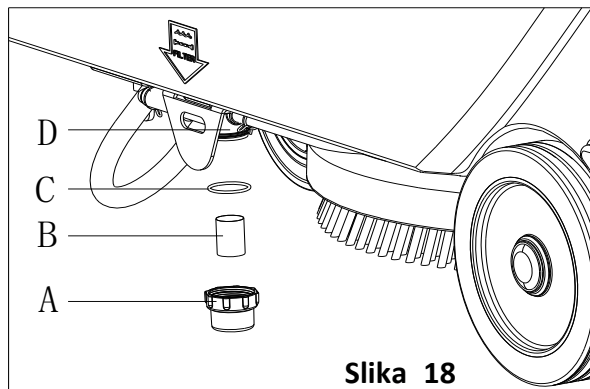
**BILJEŠKA**

Za dodatne informacije o punjaču na vozilu (E, slika 17), obratite se odgovarajućem priručniku servisnog centra.

ČIŠĆENJE ČETKE / JASTUKA**OPREZ !**

Preporučljivo je nositi rukavice pri čišćenju držača četkice / jastučića, jer može sadržavati oštre ulomke.

1. Skinite nosač četke / jastučića sa baze koristeći postupke iz prethodnih odjeljaka.
2. Očistite četkicu / držač s vodom i deterdžentom.
3. Provjerite integritet i uvjete habanja čekinje na četkici, ako je potrebno, zamijenite četkicu.
4. Ako je potrebno, provjerite stanje habanja ploče za poliranje, zamijenite je.



Slika 18

ČIŠĆENJE FILTRA OTOPINE

1. Odvezite stroj na ravnu površinu.
2. Provjerite je li uređaj isključen.
3. Ispraznite spremnik otopine (izborni korak).
4. Skinite poklopac filtra za otopinu (A, Slika 18) kako biste očistili rešetku za filtriranje (B) i vratili ih na nosač filtra (D).



BILJEŠKA

Rešetka za filtriranje (B) mora biti pravilno postavljena na kućište filtarske podloge (D).

ČIŠĆENJE USISNIKA



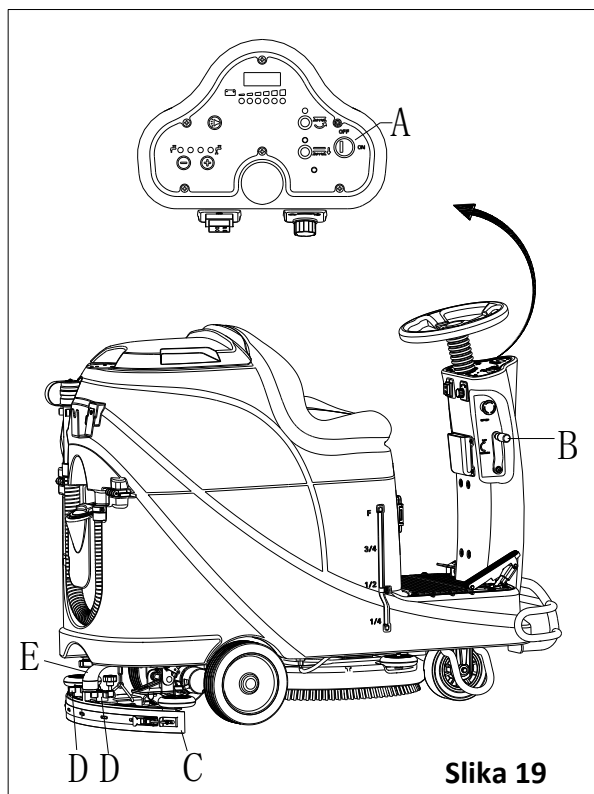
BILJEŠKA

Usisnik mora biti čist i lopatice moraju biti u dobrom stanju kako bi se dobilo dobro sušenje.



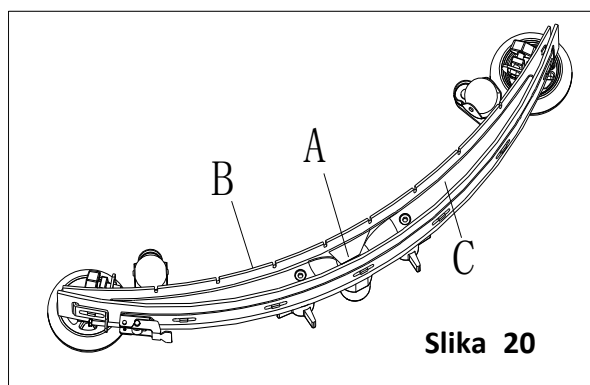
OPREZ

Preporučljivo je nositi zaštitne rukavice pri čišćenju usisnika jer može imati oštrih otpadaka.



Slika 19

1. Odvezite stroj na ravnu površinu.
2. Okrenite prekidač za ključ (A, Slika 19) na "OFF".
3. Spustite usisnik (B) s polugom (C).
4. Otpustite gumbе (D) i izvadite usisnik.
5. Odvojite usisnu cijev (E) od usisnika.
6. Očistite čeličnu ili aluminijsku pločicu, posebno odjeljke (A, Slika 20) i rupe (B). Provjerite integritet, rezove i poderotine prednje(B) i stražnje lopatice (C), ako je potrebno, zamijenite ih prema postupku u sljedećem odlomku.
7. Sklopite usisnik obrnutim redoslijedom rastavljanja.



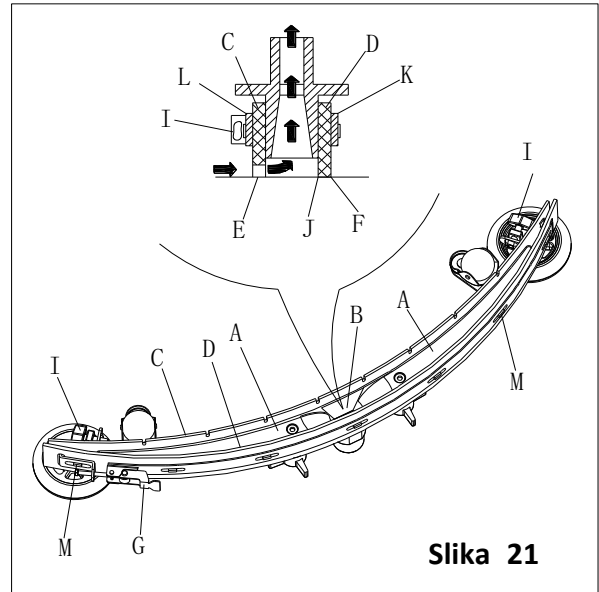
Slika 20

PROVJERAVANJE I ZAMJENA LOPATICA USISNIKA

1. Očistite čelični ili aluminijski usisnik, kao što je prikazano u prethodnom odlomku.
2. Provjerite da li rubovi (E, Slika 21) prednjeg noža (C) i rubova (F) stražnje oštrice (D) leže na istoj razini duž njihove duljine; po potrebi prilagodite njihovu visinu prema sljedećem postupku:
 - Skinite čvor (G), otpustite pričvrzne elemente (M) i podesite stražnju nožicu (D), zatim učvrstite pričvrzne elemente (M) i postavite veznu šipku (G).
 - Otpustite gumbе (I) i podesite prednji nož (C), zatim zategnite ručice.
3. Provjerite prednju oštricu (C) i stražnju oštricu (D) za trošenje, rezanje i poderotine; ako je potrebno, zamijenite ih prema sljedećem postupku. Provjerite da se prednji kutak (J) stražnje oštrice (D) nije istrošio; ako je potrebno preokrenite nož za zamjenu istrošenog kuta s cijelim. Ako se i ostali kutovi istroše, zamijenite oštricu prema sljedećem postupku:
 - Skinite čvor (G), otpustite pričvrzni element (M) i uklonite pričvrсну traku (K), zatim zamijenite / preokrenite stražnji nož (D). Sklopite oštricu obrnutim redoslijedom rastavljanja.
 - Odvijte gumbе (I) i uklonite pričvrсну traku (L), zatim zamijenite prednji nož (C). Sklopite oštricu u obrnutom redoslijedu rastavljanja. Nakon zamjene nožice (ili prevrata) podesite visinu kao što je prikazano u prethodnom koraku.
4. Spojite usisnu cijev (A, Slika 22) na usisnik.
5. Ugradite usisnik (B) i zavrnite gumbе (C).
6. Ako je potrebno, podesite usisnik pomoću gumba za podešavanje ravnoteže na stezaljka (D).

PROVJERA REŠETKE SPREMNIKA/ USISNIKA PLUTAJUĆEG PLOVKA I BRTVENE TRAKE

1. Odvezite stroj na ravan pod.
2. Provjerite je li stroj isključen i ključ za paljenje (40) uklonjen.
3. Okrenite poklopac spremnika povratne otopine (A, Slika 23) u položaj od 90 stupnjeva, gdje se može skinuti s spremnika, a zatim izvadite filtar za plutajući plovak (P) iz spremnika.
4. Očistite poklopac spremnika povratne otopine (A), spremnik povratne otopine (B), spremnik za čistu vodu (C) i potporni okvir filtra za plutajući plovak (E). Ispraznite spremnik povratne otopine s odvodnim crijevom (15).
5. Ako je potrebno, slijedite simbole "OTVORENO" i "ZATVORENO" kako je prikazano na Slika 23 kako bi otvorili donji poklopac (F) filtra plutajućeg plovka, a zatim očistite plutajući plovak (D), potporni okvir filtra (E) i filtarsku spužvu (I). Nakon čišćenja, fiksirajte plovak (D) u okvir za nosač filtra (E) i zatim poravnajte utor žljebova (L) donje kapice (F) filtra s plutajućim plovkom s utorom za oznake (L) plutajućeg filtra okvira za nosač filtra (E). Navucite donju kapicu filtra za plutajuće kuglice i pričvrstite filtarsku spužvu (I) na nosač filtra za plovak (E). Konačno, spojite ga na cijev za usisavanje (M).
6. Pregledajte integritet trake za brtvljenje spremnika.

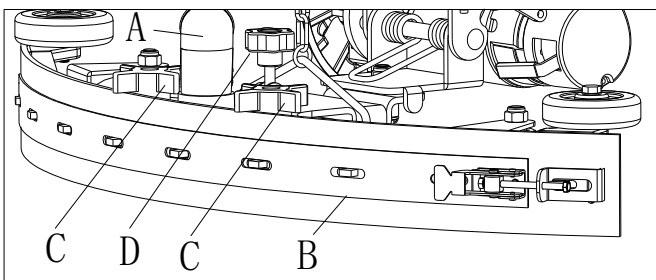


Slika 21

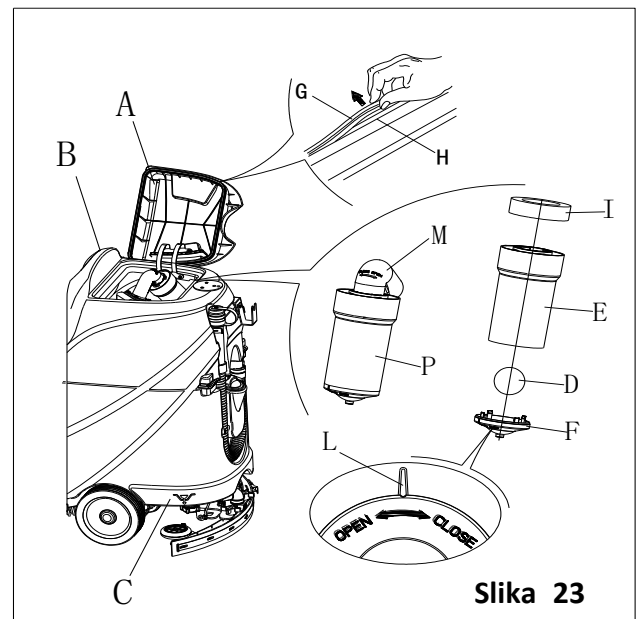
**BILJEŠKA**

Brtva spremnika (G) stvara vakuum unutar spremnika kada motor radi. Spremnik mora biti zatvoren da može učinkovito apsorbirati vodu iz tla u povratni spremnik.

7. Provjerite je li kontaktna površina brtvene trake (G) cjela i da je brtvljenje dovoljno. Ako je potrebno, izvadite brtvenu traku spremnika iz utora (H) i zamijenite je. Montirajte novu brtvenu traku kao što je prikazano na Slika 23, spoj treba vratiti u srednji dio.
8. Zatvorite poklopac povratnog spremnika (A).



Slika 22



Slika 23

PROVJERA / ZAMJENA OSIGURAČA

1. Okrenite prekidač za ključ (D, Slika 24) na "OFF".
2. Odspojite kabel za spajanje baterije.
3. Odvijte vijke (C) na upravljačkoj ploči i zatim okrenite PCBA da pronađe osigurač (A i B).
4. Provjerite / zamijenite osigurače:
 - A) F1 je osigurač sklopa male snage (5A)
 - B) F3 je osigurač za skidanje četke (20A)
5. Nakon provjere / zamjene, ponovno sastavite obrnutim redoslijedom.
6. Provjerite ili resetirajte zaštitnik opterećenja motora.
 - E) F5 je zaštitnik za preopterećenje usisnog motora (30A)
 - F) F4 je štitičnik za preopterećenje pogonskog motora (30A)
 - G) F2 je zaštitnik za preopterećenje motora četke (30A)

PRIBOR / OPCIJE

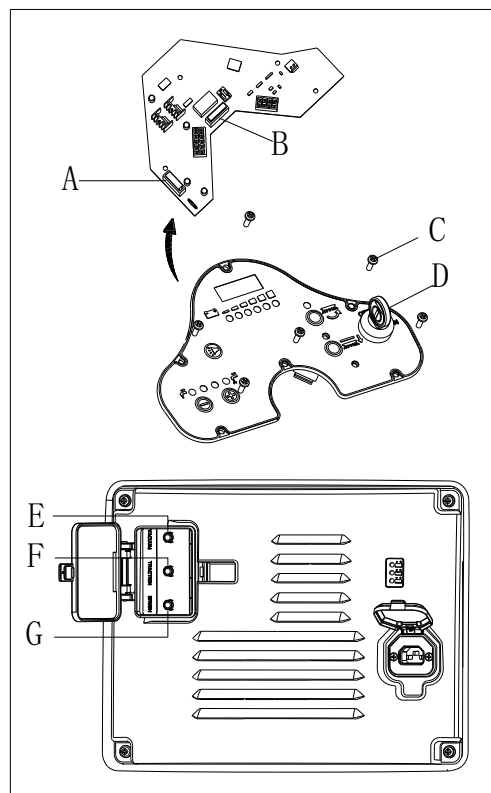
Pored standardnih komponenti, stroj može biti opremljen sljedećim priborom / opcijama, ovisno o uporabi stroja.

Za daljnje informacije o gore spomenutom dodatnom priboru, obratite se ovlaštenom prodavaču.

Pribor / opcije

Pogledajte odjeljak "Popis dijelova"

1. GEL / AGM baterije
2. Ploče različitih materijala



Slika 24

RJEŠAVANJE PROBLEMA

Problem	Mogući uzroci	Rješenje
Motori ne rade; nema svjetla upozorenja (C9)	Priključak baterije je isključen	Spojite priključak baterije
	Baterije su potpuno prazne	Napunite baterije
Stroj ne radi, žaruljica upozorenja o crvenoj bateriji se uključuje (C8)	Razina baterije je preniska	Napunite baterije
Stroj ne ide naprijed/natrag	Greška upravljačke ploče	Zamijenite ploču
	Greška u upravljačkom pogonu motora	Pogledajte "POKAZATELJI INDIKATORA POGREŠKE MOTORA"
	Operater nije na sjedalu	Sjdnite na sjedalo
	Usisnik se ne podiže tijekom rada stroja unatrag	Podignite usisnik
Motor četke ne radi	Greška upravljačke ploče	Zamijenite ploču
	Preopterećenja motora četke	Koristite meku četkicu čekinja koja je prikladna za čišćenje i sprovedite resetiranje zaštitnog opterećenja motora četkice
	Greška kvara kontaktora s četkom	Kontaktirajte servis
	Istrošena ugljična četkica	Kontaktirajte servis
	Prepreke sprječavaju rotaciju četke	Očistite četku
Pogonski motor ne radi	Uključuje se svjetlo smetnje motora pogona	Pogledajte "POKAZATELJI INDIKATORA POGREŠKE MOTORA"
	Preopterećenje pogonskog motora	Ponovno namjestite zaštitnik od preopterećenja motora pogona i provjerite motor / krug pogona
Usisni motor ne radi	Preopterećenje usisnog motora	Ponovno postavite zaštitnik od preopterećenja usisnog motora i provjerite usisni motor
	Kvar releja usisnog motora	Kontaktirajte servis

	Greška upravljačke ploče	Zamijenite upravljačku ploču
Nedovoljno usisavanje, pod se ne može osušiti	Povratni spremnik je pun	Ispraznite povratni spremnik
	Usisno crijevo ima loš spoj sa usisnikom	Priključite crijevo ispravno
	Zaglavljn plutajući filtar	Očistite filtar plovka i provjerite položaj plovka
	Usisnik je prljav ili istrošen	Provjerite i očistite usisnik
	Poklopac povratnog spremnika nije pravilno zatvoren, ili je brtva oštećena ili je savijena cijev začepljena	Zatvorite poklopac pravilno, zamijenite brtvu ili očistite zavojnu cijev.
	Povratni spremnik je prljav	Očistite povratni spremnik
Nedovoljna opskrba otopine	Filtar otopine je prljav	Očistite filtar
	Uključen je indikator praznog spremnika otopine	Napunite spremnik otopine
	Spremnik otopine previše je prljav	Očistite spremnik otopine
Usisnik ostavlja ogrebotine na podu	Ispod usisnika ima krhotina	Uklonite krhotine
	Lopaticice usisnika oštećene, istrošene, napukle	Zamijenite lopaticice
	Ravnoteža usisnika nije prilagođena	Prilagodite ravnotežu usisnika
Pogreška kočnice pogonskog motora	Kočnica je zaključana	Namjestite kočnicu

POKAZATELJI INDIKATORA MOTORNE POGREŠKE

LED KODOVI		POGREŠKA	MOGUĆI UZROK
1,1	□□	TERMIČKA POGREŠKA	<ol style="list-style-type: none"> 1. Temperatura > 80°C ili < -10°C. 2. Prekomjerno opterećenje na vozilu. 3. Rad u ekstremnim okruženjima. 4. Elektromagnetska kočnica se ne otpušta.
1,2	□□□	POGREŠKA GASA	<ol style="list-style-type: none"> 1. Otvorena ili kratkospojena gasna žarulja. 2. Kuglica za prigušivanje je oštećena. 3. Odabrana je pogrešna vrsta leptira za gas.
1,3	□□□□	POGREŠAK BRZINE	<ol style="list-style-type: none"> 1. Ograničena ili kratka žičana mreža za ograničenje brzine. 2. Polomljen limitator ograničenja brzine.
1,4	□□□□□	POGREŠKA PODNAPONA	<ol style="list-style-type: none"> 1. Napon baterije < 17 volti. 2. Loša veza na bateriju ili kontroleru.
1,5	□□□□□□	POGREŠKA NADNAPONA	<ol style="list-style-type: none"> 1. Napon baterije > 31 volt. 2. Vozilo radi s priključenim punjačem. 3. Povremena veza baterije
2,1	□□□	GLAVNA POGREŠKA ISKLJ.	<ol style="list-style-type: none"> 1. Pokretač glavnog kontaktora nije otvoren.
2,3	□□□□□	GLAVNA POGREŠKA *	<ol style="list-style-type: none"> 1. Glavni kontaktor zavaren ili otvoren. 2. Greška pogonskog sklopnika glavnog kontaktora.
2,4	□□□□□□	GLAVNA POGREŠKA UKLJ.	<ol style="list-style-type: none"> 1. Pokretač glavnog kontaktora nije zatvoren.
3,1	□□□□	POGREŠAK OŽIČENJAA *	<ol style="list-style-type: none"> 1. Neisprano podešen gas. 2. Razbijen mehanizam za gas.
3,2	□□□□□	POGREŠKA KOČNICE UKLJ	<ol style="list-style-type: none"> 1. Kratkospojeno elektromagnetsko kočenje. 2. Otvoren elektromagnetski kočioni svitak.
3,3	□□□□□□	POGREŠAK PREDPUNJENJA *	<ol style="list-style-type: none"> 1. Pokretač kočnice je kratko spojen. 2. Oštećen krug preopteranja. 3. Neuspjeh MOSFET-a.
3,4	□□□□□□□	POGREŠKA KOČNICE ISKLJ	<ol style="list-style-type: none"> 1. Otvoreno je elektromagnetsko kočenje. 2. Kratko spojen elektromagnetski kočni svitak.
3,5	□□□□□□□□	HPD POGREŠKA	<ol style="list-style-type: none"> 1. Nepravilni slijed gasa i KSI, guranje ili zaustavljanje ulaza.

			2. Neispravno reguliran gas.
4,1	□□□□□□	POGREŠKA AKTUALNE SENSE *	1. Kratak spoj u motoru ili u ožičenju motora. 2. Neuspjeh kontrolera.
4,2	□□□□□□□	HARDWARE POGREŠKA *	1. Motorni napon ne odgovara zahtjevu za gas. 2. Kratak spoj u motoru ili u ožičenju motora. 3. Neuspjeh kontrolera.
4,3	□□□□□□□□	EEPROM CHECKSUM POGREŠKA †	1. Pogreška ili greška EEPROM-a.
4,5	□□□□□□□□□□	POGREŠAKA SPOJA BATERIJE *	1. Baterija nije spojena. 2. Loš spoj na priključke akumulatora.

* = Morate ciklirati tipke čije je čišćenje.

† = Morate iskoristiti programer kako slijedi: odaberite Izbornik programa, izmijenite vrijednost podataka bilo kojeg parametra, tipke za ciklus vježbe.



BILJEŠKA

Stroj koji je opremljen punjačem koji se koristi na vozilu neće se koristiti ako je punjač u vozilu neispravan, molimo kontaktirajte naš kvalificirani centar za održavanje za pomoć.

IZBACITI IZ UPORABE

Odstranite stroj od strane kvalificirane ustanove za obradu otpada.

Prije otpuštanja stroja, molimo uklonite i odvojite podsklopove da se odgovarajući zakoni i propisi ispoštuju i odložite ih na odgovarajući način.

- Baterija
- Nosač Četke / jastučića
- Plastični crijeva i plastični dijelovi
- Električne i elektroničke komponente (*)

(*) Obratite se našem servisnom centru kako biste uništili bilo koju električnu i elektroničku komponentu.



Viper Cleaning Equipment .Co., Ltd.
Liangbian, Liaobu, Dongguan, Guangdong, China
www.nilfisk.com
www.vipercleaning.com
Tel: (+86) 769 8328 3988
Fax: (+86) 769 8228 3018